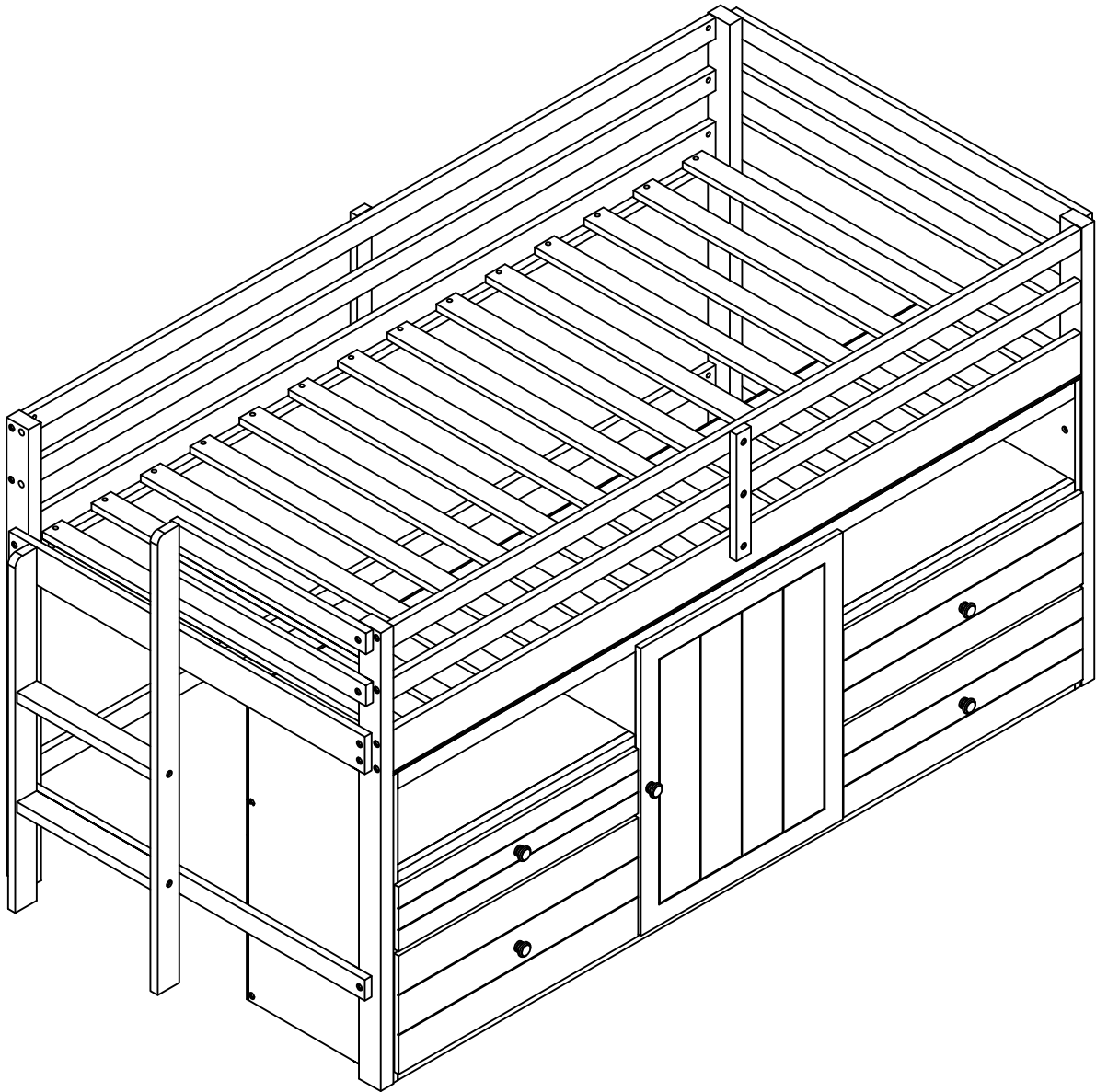


ASSEMBLY INSTRUCTION

SKU CODE: WF315763/WF315764





SAFETY WARNINGS



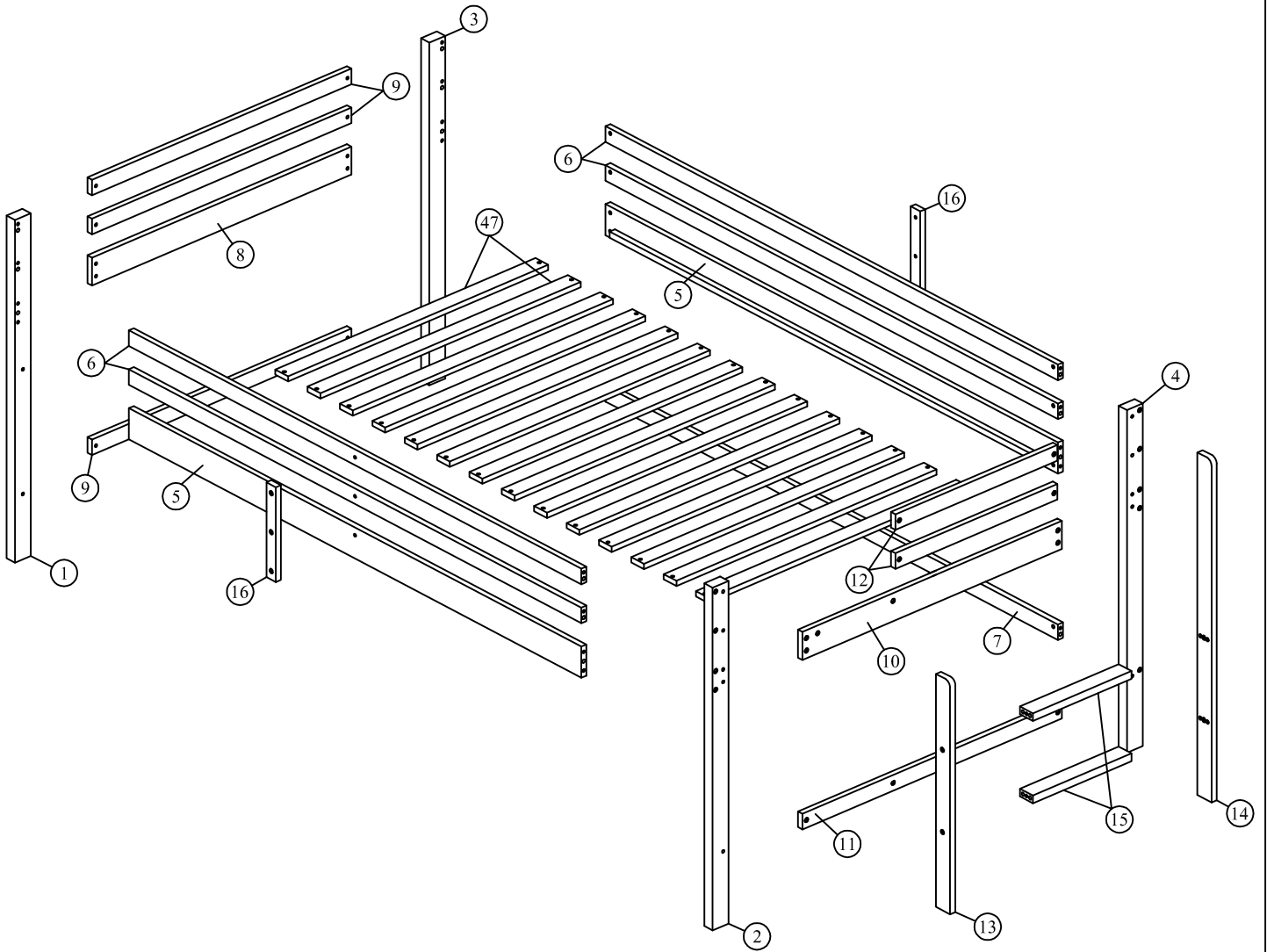
1. This bed is designed for use only mattress(es) meeting the following specifications on the upper bunk:
Upper bunk (bunk bed and tribed included)

Upper bed

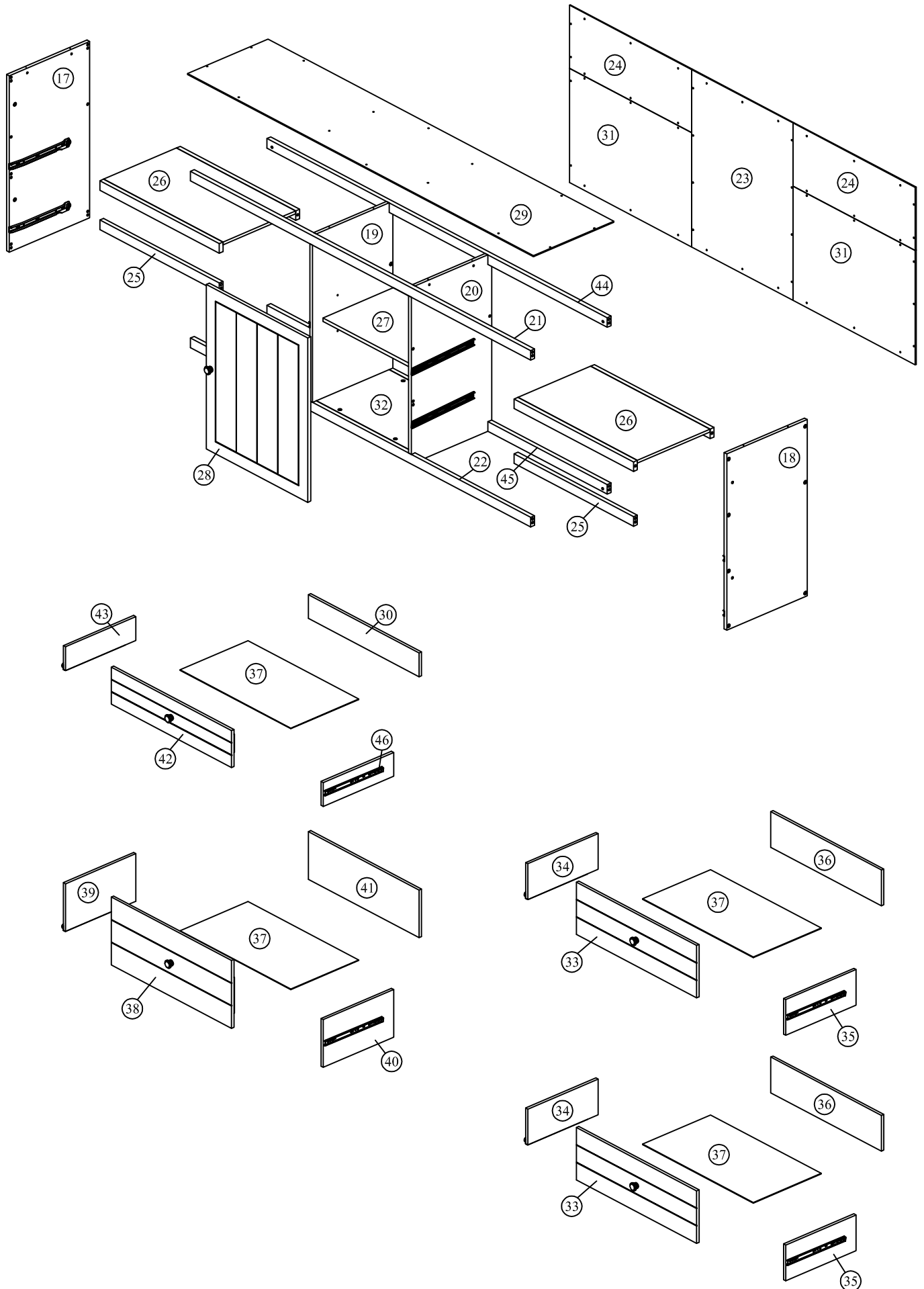
<i>Bed Type</i>	<i>Length</i>	<i>Width</i>	<i>Thickness</i>
<i>Twin Standard</i>	<i>74"-75"</i>	<i>37 1/2"- 38"</i>	<i>6" max</i>

2. Replacement parts, including additional guardrails, maybe obtained from any of our (GIGACLOUDTECHNOLOGY (USA) INC. 18961 ARENTH AVENUE CITY OF INDUSTRY, CA, 91748) dealers.
3. Follow the information on the warnings appearing on the upper bunk bed end structure and on the carton. Do not remove warning label from bed.
4. Always use the recommended size mattresses or mattress supports, or both, to help prevent the likelihood of entrapment or falls.
5. Surface of the mattress must be at least 5". (127 mm) below the upper edge of guardrails.
6. Do not allow children under 6 years of age to use the upper bunk.
7. Periodically check and ensure that the guardrail, ladder, and other components are in their proper position, free from damage, and that all connectors are tight.
8. Do not allow horseplay on or under the bed and prohibit jumping on the bed
9. Always use the ladder for entering and leaving the upper bunk.
10. Do not use substitute parts. Contact the manufacturer or dealer for replacement parts.
11. Use of a night light may provided added safety precaution for a child using the upper bunk.
12. Always use guardrails on both long sides of the upper bunk. If the bunk bed will be placed next to the wall, the guardrail that runs the full length of the bed should be placed against the wall to prevent entrapment between the bed and wall.
13. The use of water or sleep flotation mattresses is prohibited.
14. STRANGULATION HAZARD - Never attach or hang items to any part of the bunk bed that are not designed for use with the bed; for example, but not limited to, hook, belts and jump ropes.
15. Keep these instructions for future reference
16. Prohibit more than one person on upper bunk.
17. We recommend assembling your bunk bed on the shipping carton to protect your floor or carpet.
18. Be certain all staples are out of the box before beginning assembly on the shipping carton.

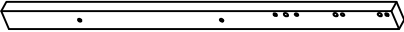
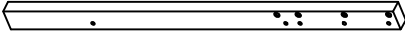
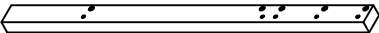
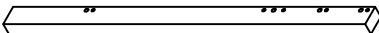
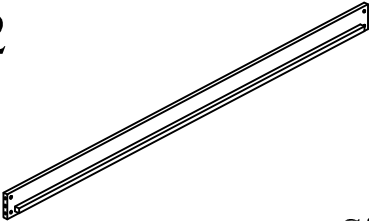
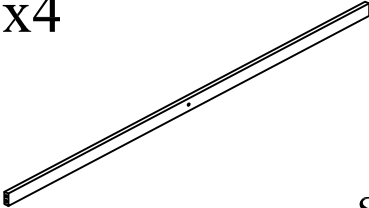
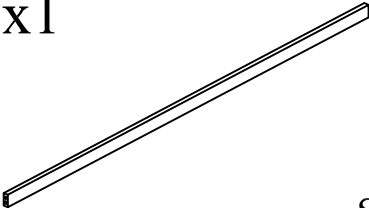
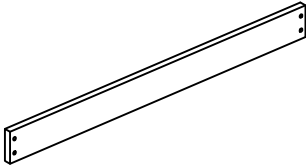
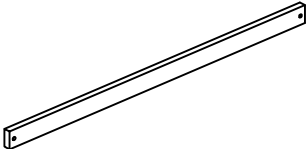
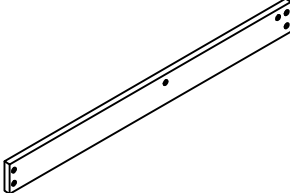
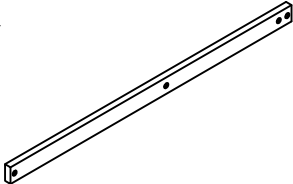


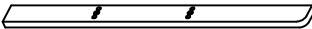
Detail view



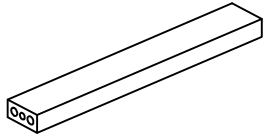
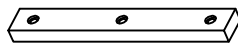
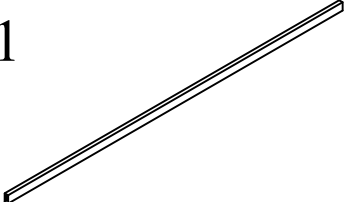
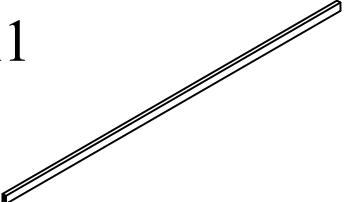
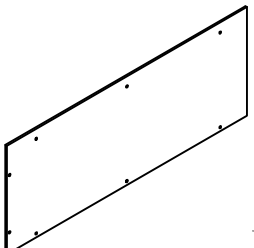
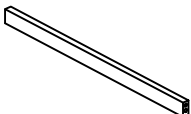
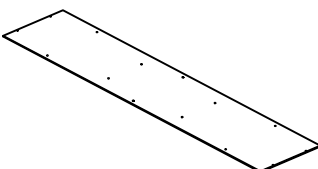
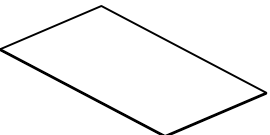
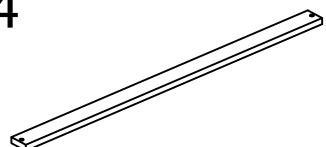
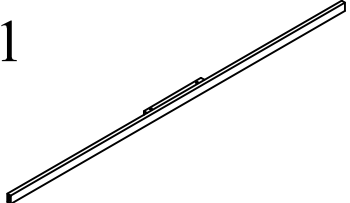
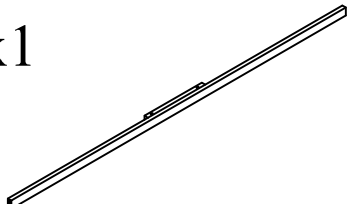
Detail view







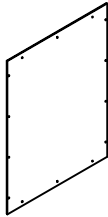
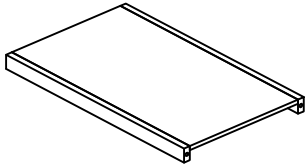
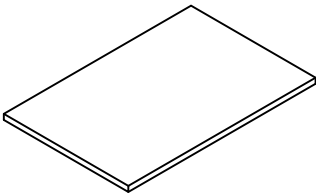
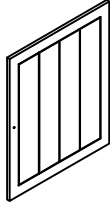
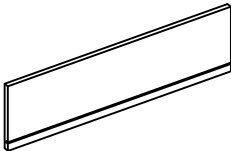
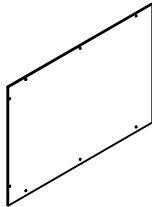
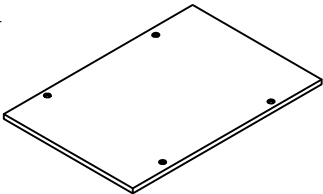
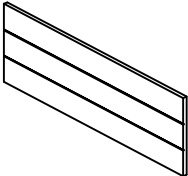
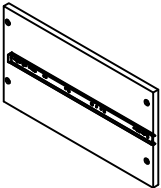
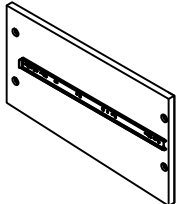
Part List (WF315763)

<p>① x1</p>  <p>Front - Left Leg</p>	<p>② x1</p>  <p>Front - Right Leg</p>
<p>③ x1</p>  <p>Back - Left Leg</p>	<p>④ x1</p>  <p>Back - Right Leg</p>
<p>⑤ x2</p>  <p>Side Rails</p>	<p>⑥ x4</p>  <p>Side Railing</p>
<p>⑦ x1</p>  <p>Side Railing</p>	<p>⑧ x1</p>  <p>Crossbar</p>
<p>⑨ x3</p>  <p>Crossbar</p>	<p>⑩ x1</p>  <p>Crossbar</p>
<p>⑪ x1</p>  <p>Crossbar</p>	<p>⑫ x2</p>  <p>Crossbar</p>
<p>⑬ x1</p>  <p>Left - Base Of The Staircase</p>	<p>⑭ x1</p>  <p>Right - Base Of The Staircase</p>

Part List (WFWF315763)

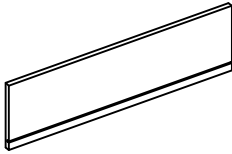
<p>①5 x2</p>  <p style="text-align: right;">Stairs</p>	<p>①6 x2</p>  <p style="text-align: right;">Support Side Railing</p>
<p>②1 x1</p>  <p style="text-align: right;">Dresser Horizontal Bar</p>	<p>②2 x1</p>  <p style="text-align: right;">Dresser Horizontal Bar</p>
<p>②4 x2</p>  <p style="text-align: right;">Back Dresser</p>	<p>②5 x2</p>  <p style="text-align: right;">Dresser Horizontal Bars</p>
<p>②9 x1</p>  <p style="text-align: right;">Top Dresser</p>	<p>③7 x4</p>  <p style="text-align: right;">Bottom Drawers</p>
<p>④7 x14</p>  <p style="text-align: right;">Slats</p>	<p>④4 x1</p>  <p style="text-align: right;">Dresser Horizontal Bar</p>
<p>④5 x1</p>  <p style="text-align: right;">Dresser Horizontal Bar</p>	

Part List (WF315764)

<p>①7 x1</p>  <p style="text-align: center;">Side Of The Left Dresser</p>	<p>①8 x1</p>  <p style="text-align: center;">Side Of The Right Dresser</p>
<p>①9 x1</p>  <p style="text-align: center;">Side Of The Left Dresser</p>	<p>②0 x1</p>  <p style="text-align: center;">Side Of The Right Dresser</p>
<p>②3 x1</p>  <p style="text-align: center;">Back Dresser</p>	<p>②6 x2</p>  <p style="text-align: center;">Tiered Shelves</p>
<p>②7 x1</p>  <p style="text-align: center;">Shelf</p>	<p>②8 x1</p>  <p style="text-align: center;">Door Dresser</p>
<p>③0 x1</p>  <p style="text-align: center;">Back Drawer</p>	<p>③1 x2</p>  <p style="text-align: center;">Back Dresser</p>
<p>③2 x1</p>  <p style="text-align: center;">Shelf</p>	<p>③3 x2</p>  <p style="text-align: center;">Front Drawers</p>
<p>③4 x2</p>  <p style="text-align: center;">Side Drawers</p>	<p>③5 x2</p>  <p style="text-align: center;">Side Drawers</p>

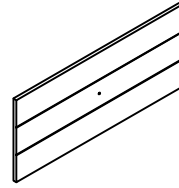
Part List (WF315764)

36 x2



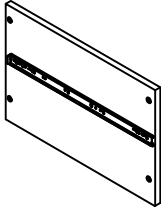
Back Drawer

38 x1



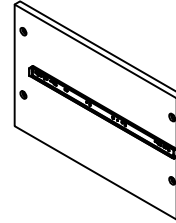
Front Drawer

39 x1



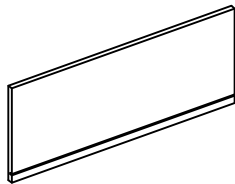
Side Drawers

40 x1



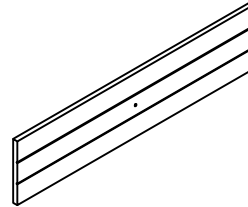
Side Drawer

41 x1



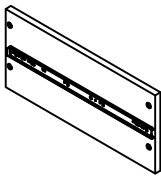
Back Drawer

42 x1



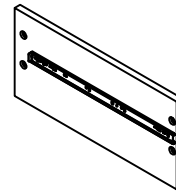
Front Drawer

43 x1





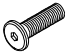
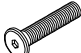






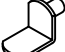



Side Drawer

46 x1

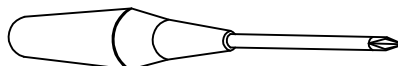


Side Drawer

Hardware List (WF315763)

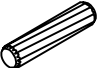



No.	OUTLOOK	DESC	QTY
(A)		Dowel Ø8*30mm	12
(B)		Dowel Ø10*40mm	22
(C)		Bolts 1/4"*30mm	10
(D)		Bolts 1/4"*40mm	40
(E)		Bolts 1/4"*60mm	8
(F)		Bolts 1/4"*70mm	22
(G)		Screws #7*15mm	18
(H)		Screws #8*30mm	60
(I)		Round head screw #8*20mm	66
(J)		Cross dowel 1/4"*13mm	30
(K)		Base L	4
(L)		Door Hinge	3
(M)		Knob	5
(N)		Allen key 60*22*4mm	1

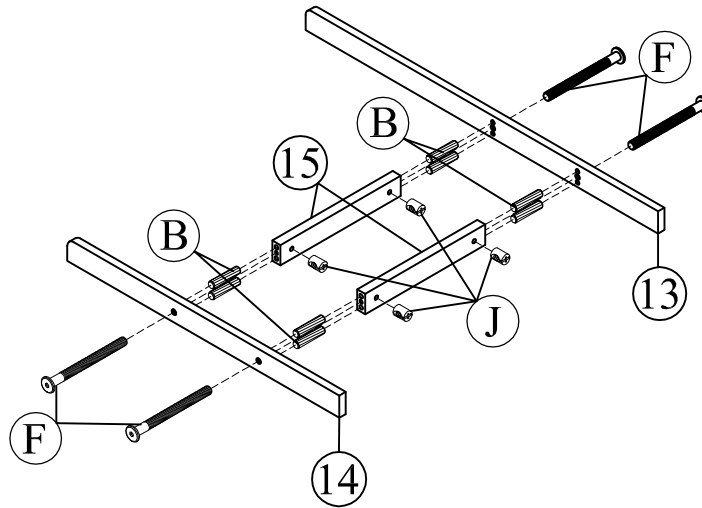
ASSEMBLY TOOLS REQUIRED (NOT INCLUDED)



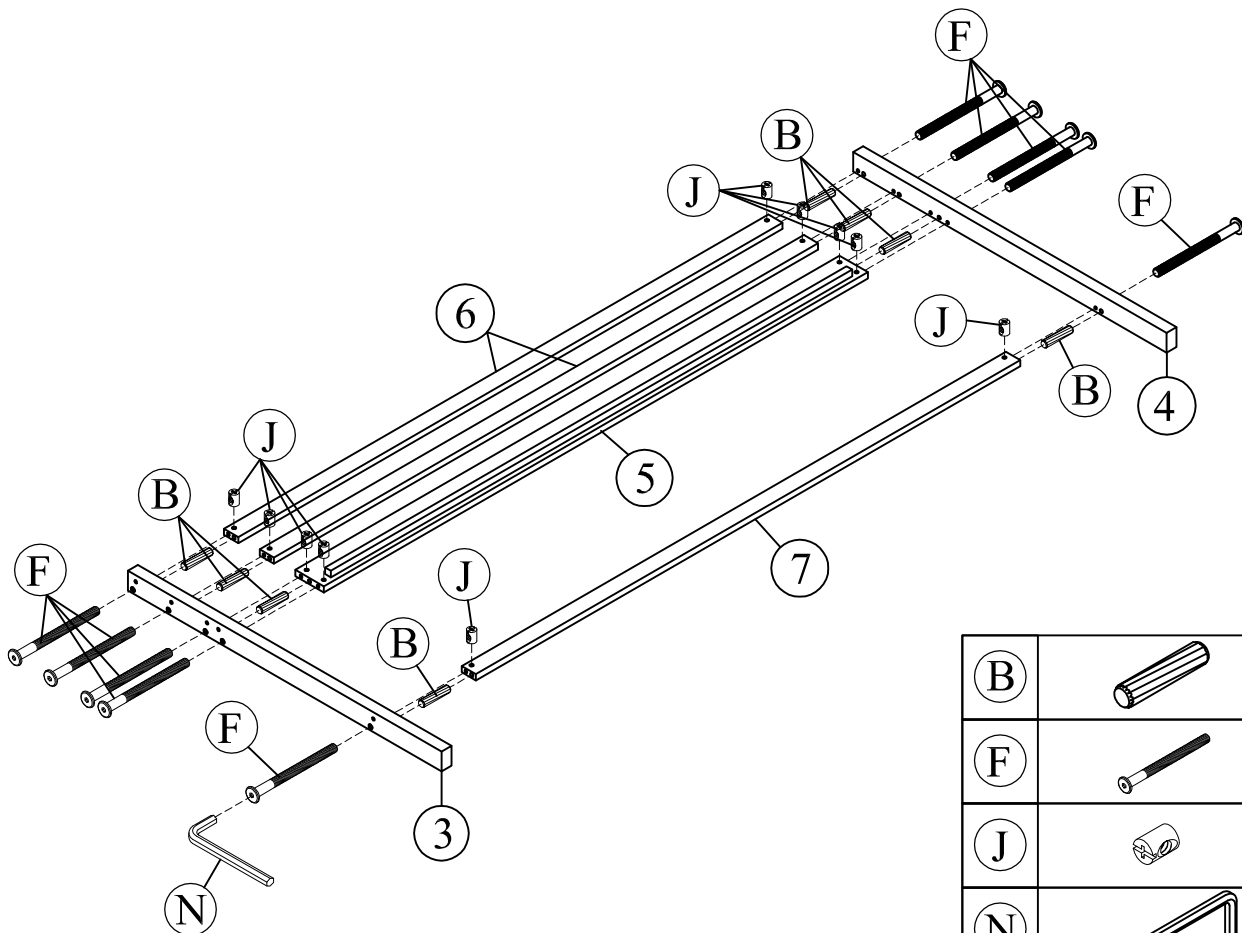
STEP 1:





The bed stairs can be moved to the left or right.
Depends on intended use.

(B)		08
(F)		04
(J)		04
(N)		01

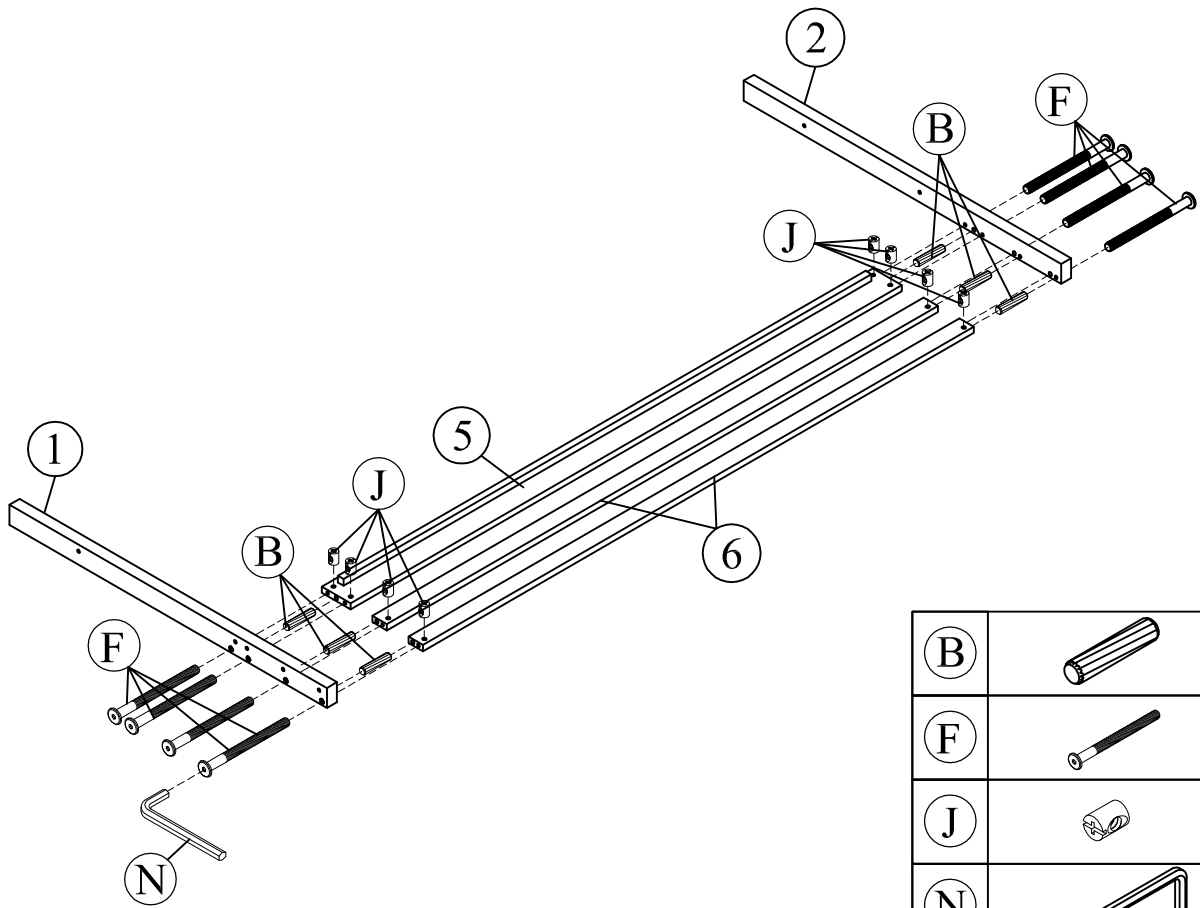


STEP 2:



(B)		08
(F)		10
(J)		10
(N)		01

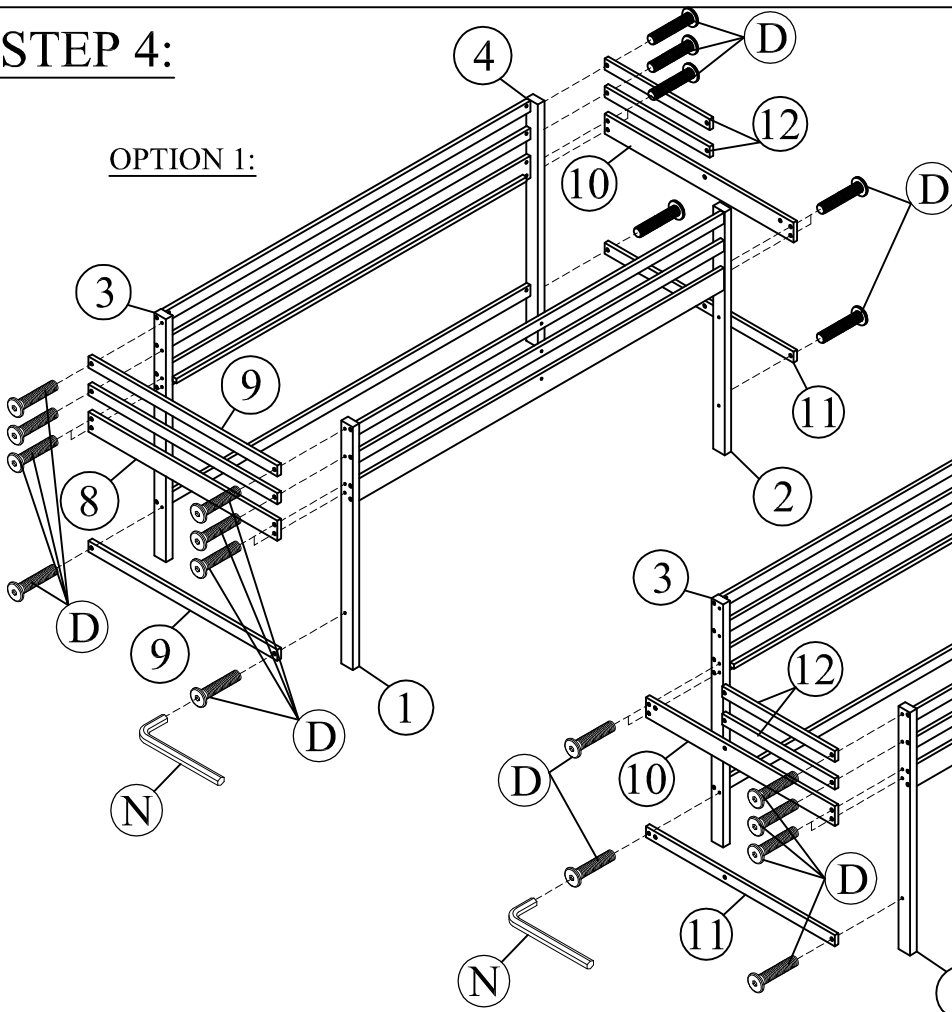
STEP 3:



(B)		06
(F)		08
(J)		08
(N)		01

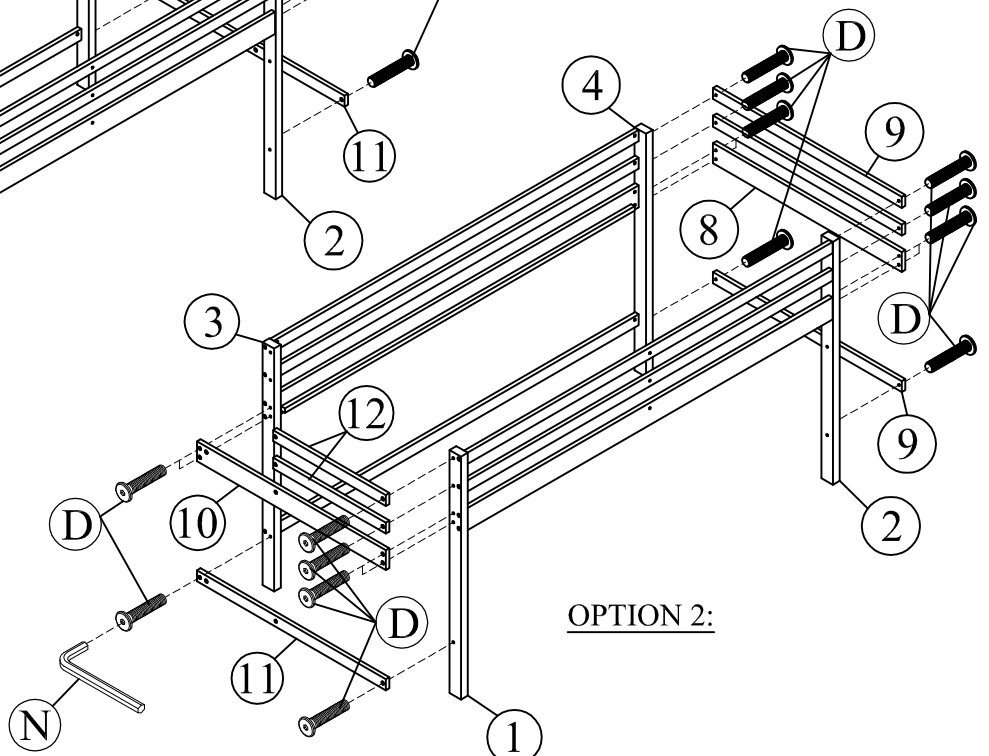
STEP 4:

OPTION 1:



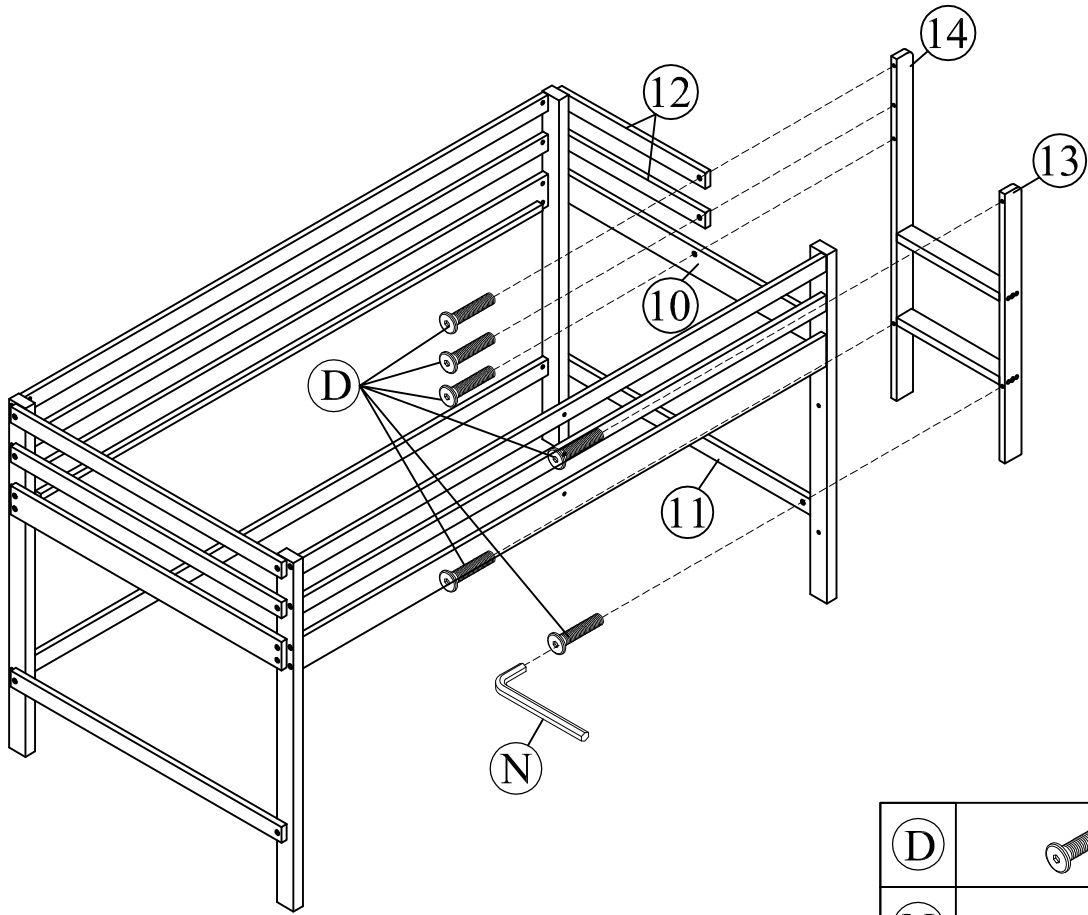
(D)		18
(N)		01



OPTION 2:



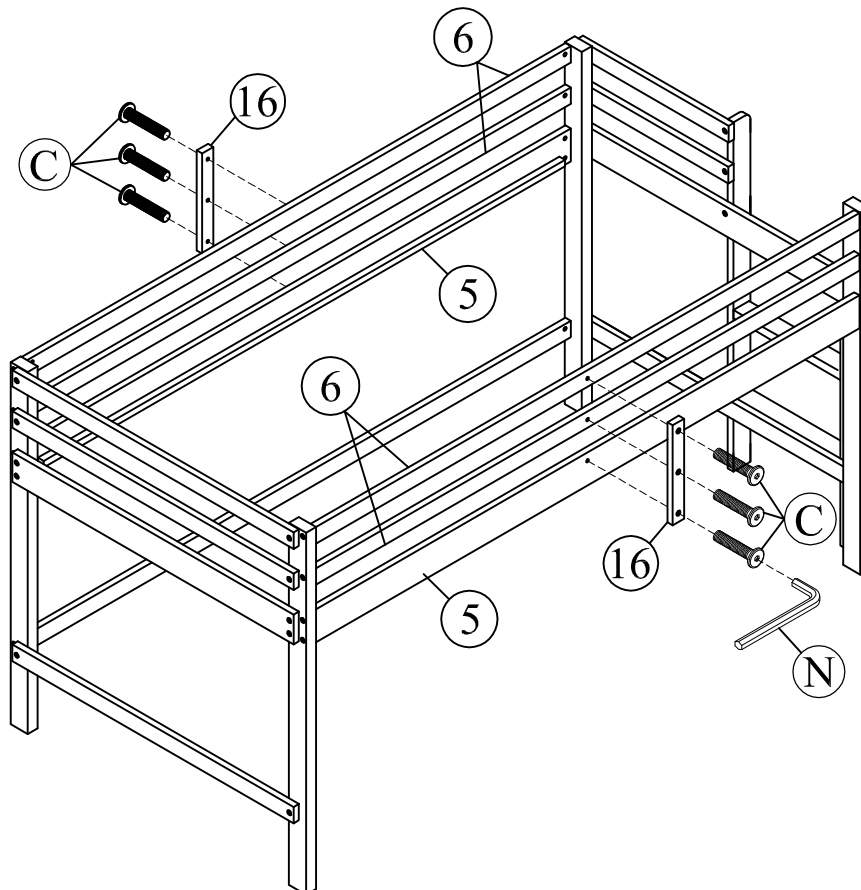
The bed headboard can be installed on the right or left side of the bed.



STEP 5:



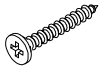
(D)		06
(N)		01

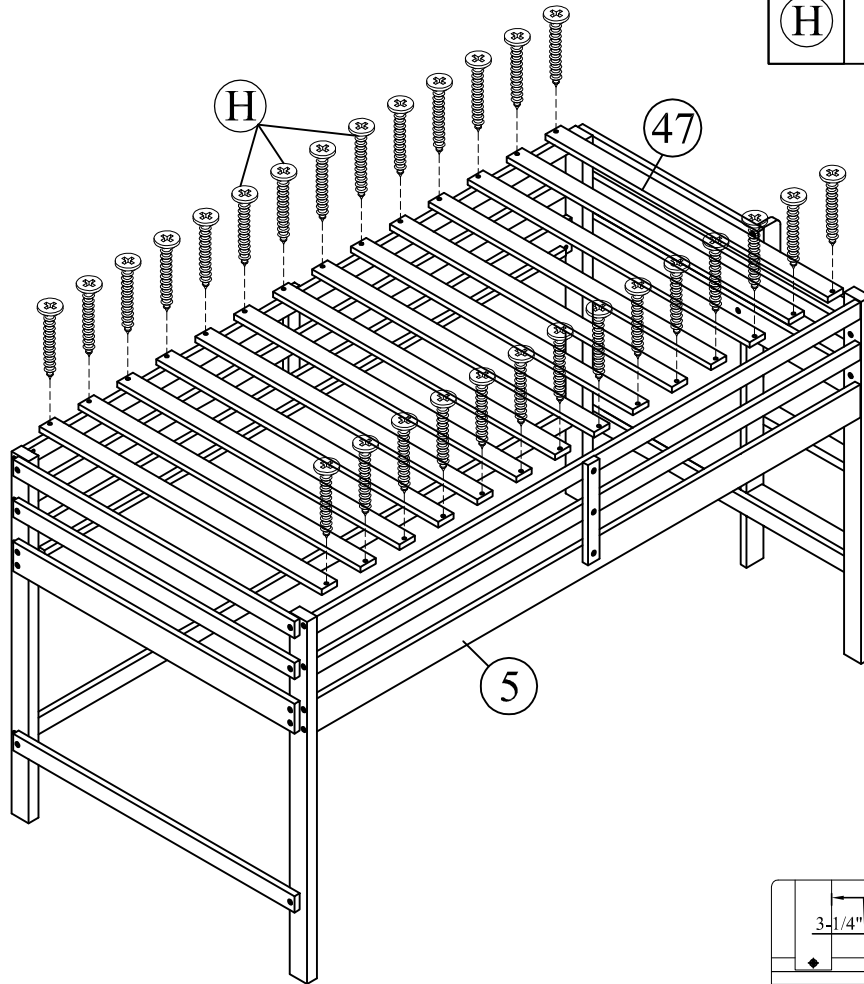
STEP 6:



(C)		06
(N)		01

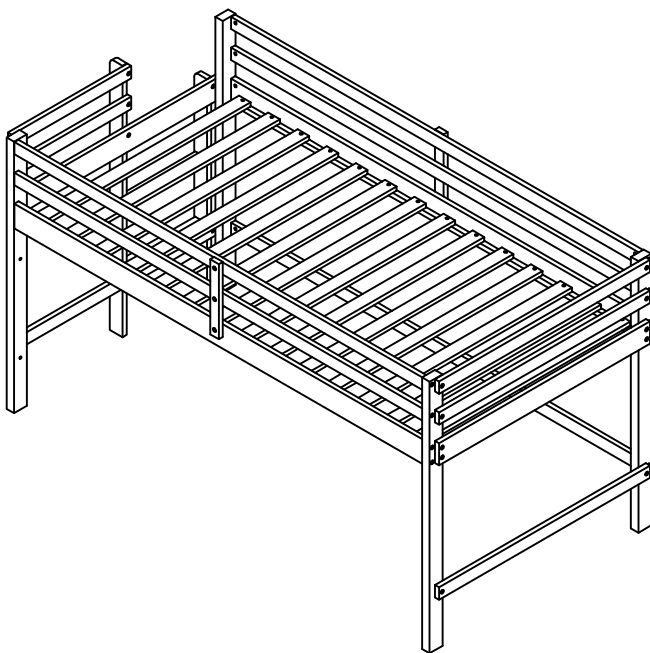
STEP 7:

H		28
---	--	----

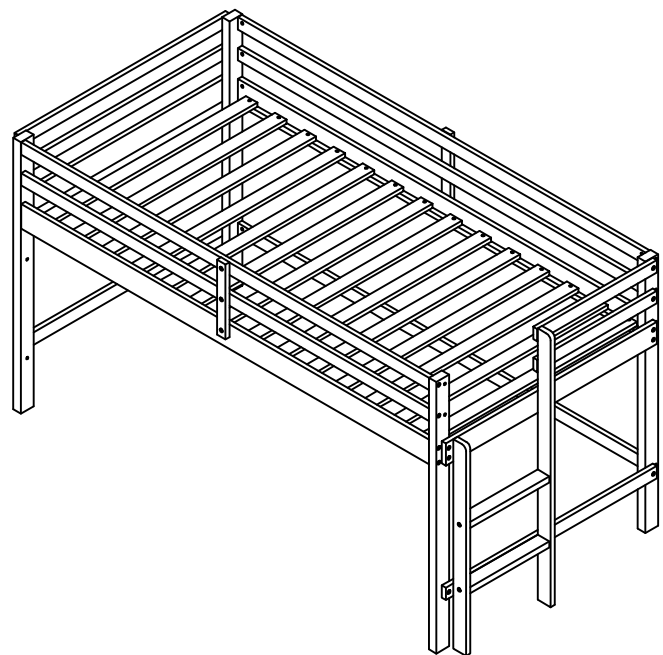


COMPLETE BED ASSEMBLY

The stair and crossbar assembly can be assembled on the right or left side.
(Refer to the image)

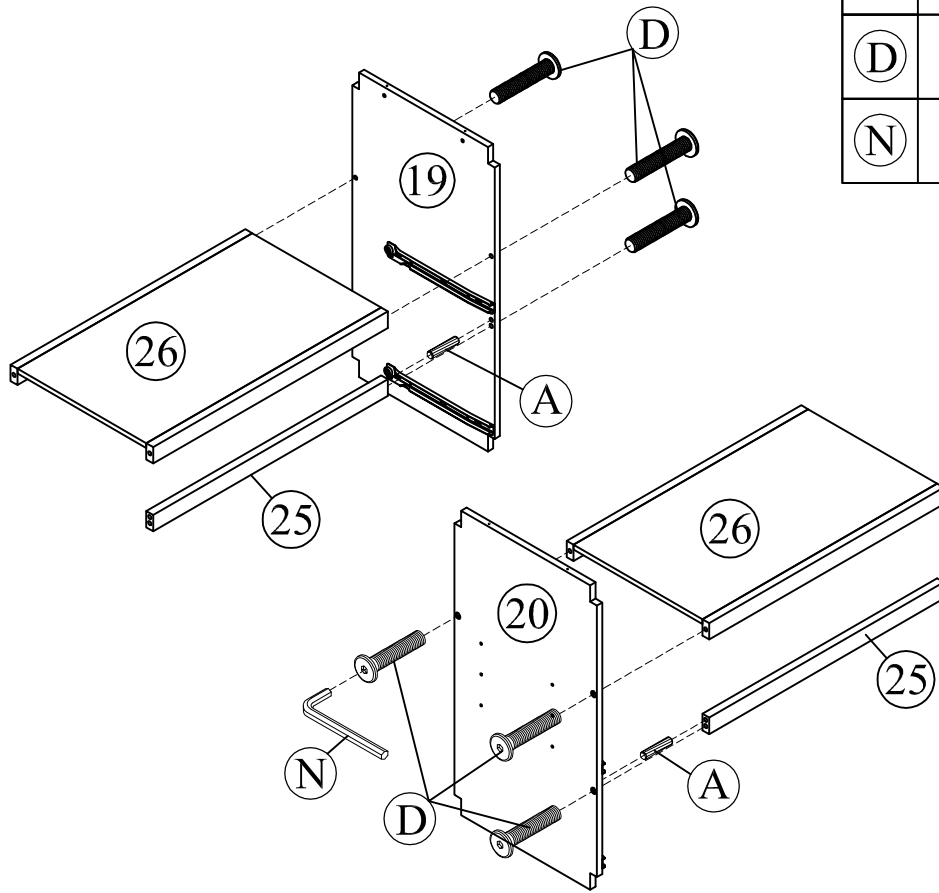


OPTION 1:



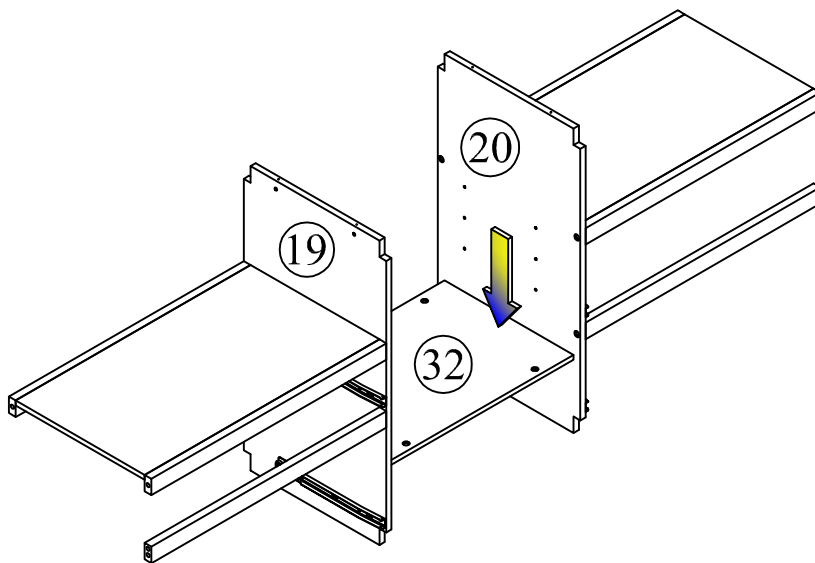
OPTION 2:

STEP 8:

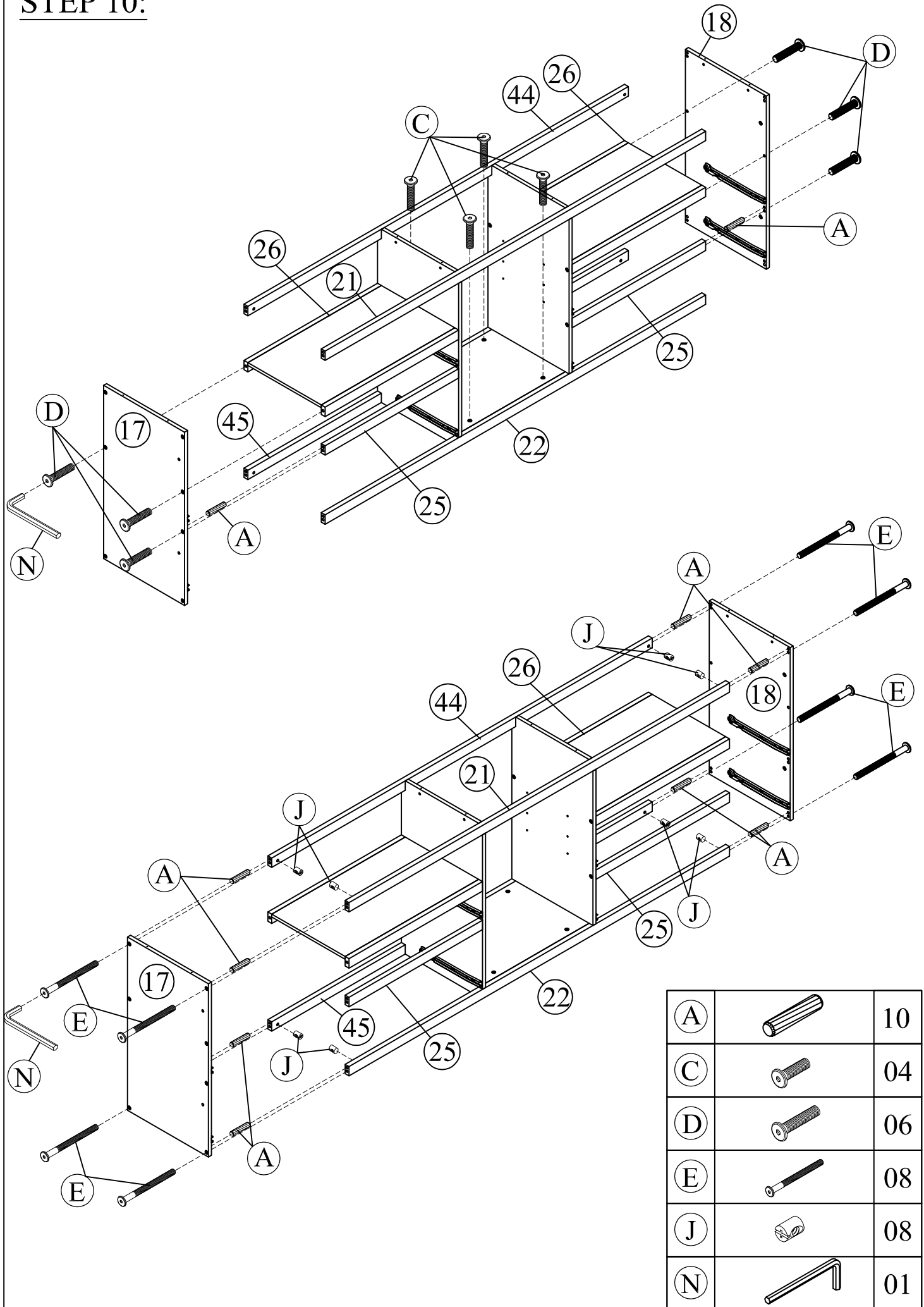


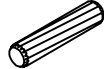

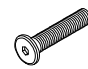

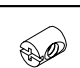

(A)		02
(D)		06
(N)		01

STEP 9:

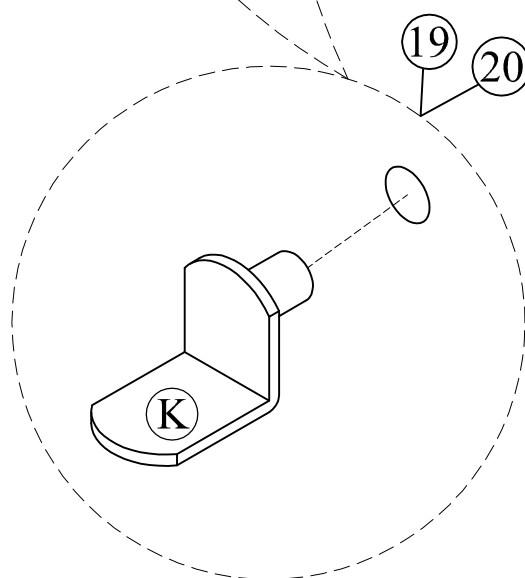
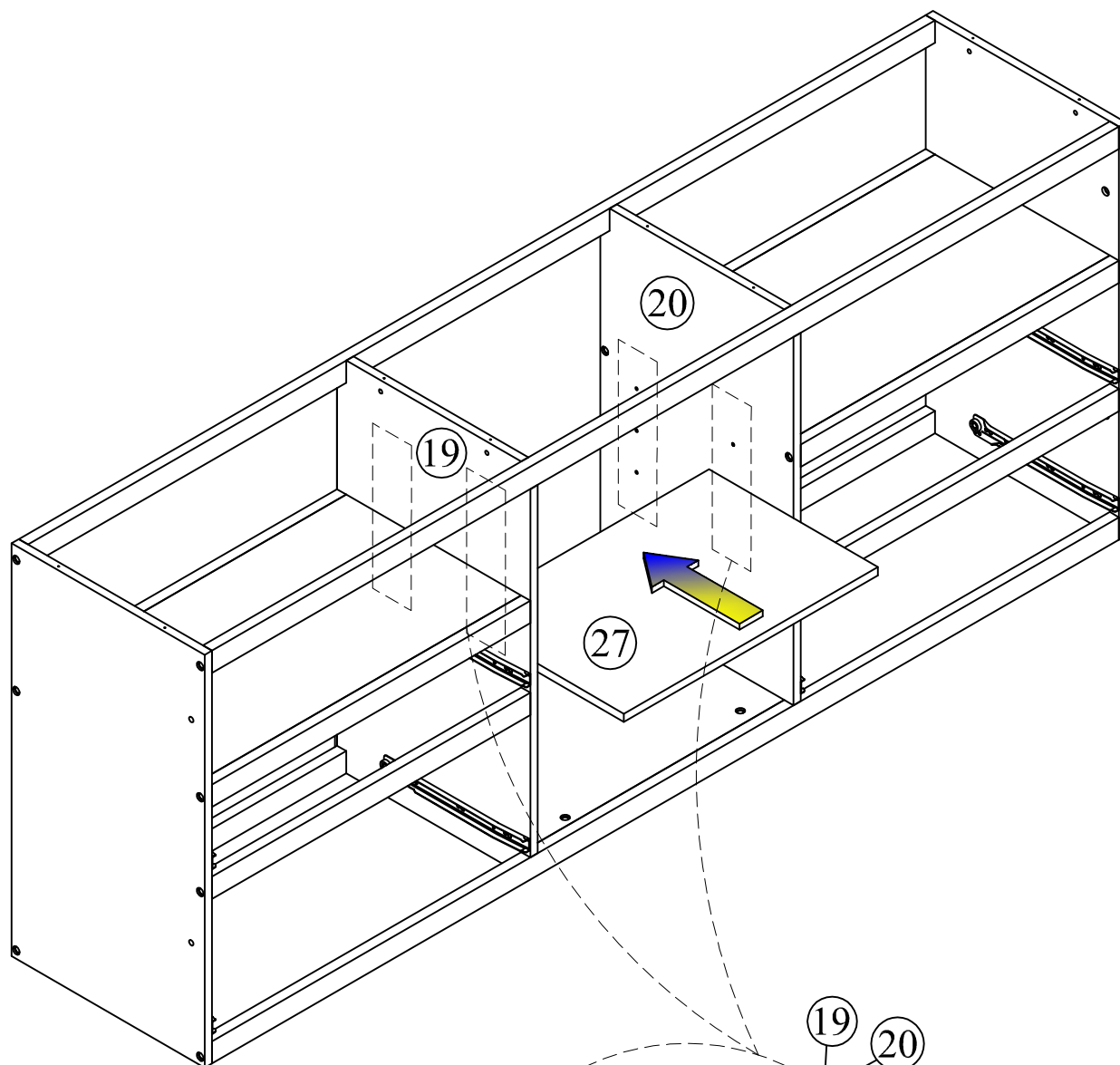


STEP 10:



(A)		10
(C)		04
(D)		06
(E)		08
(J)		08
(N)		01

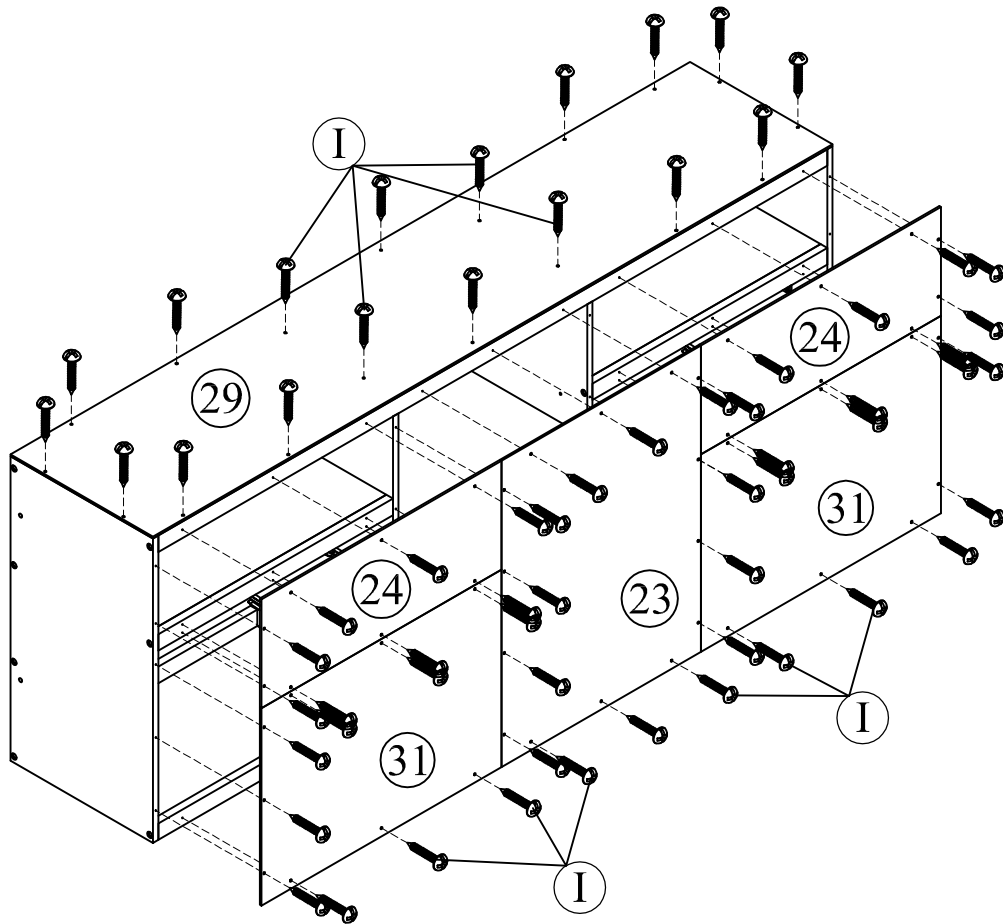
STEP 11:





Base L adjust shelf height.

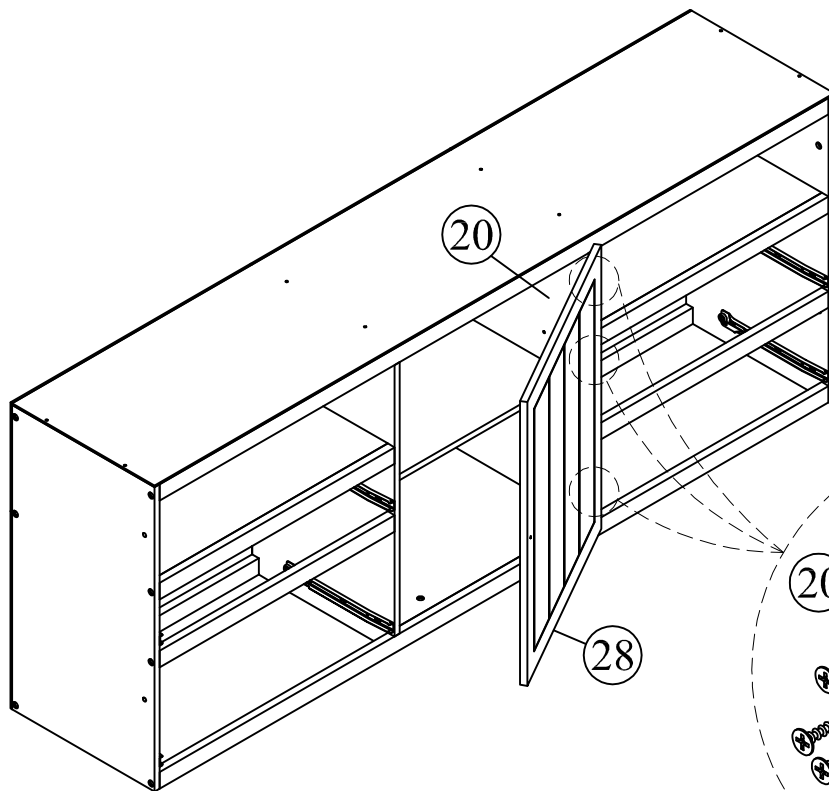
STEP 12:

I		66
---	--	----



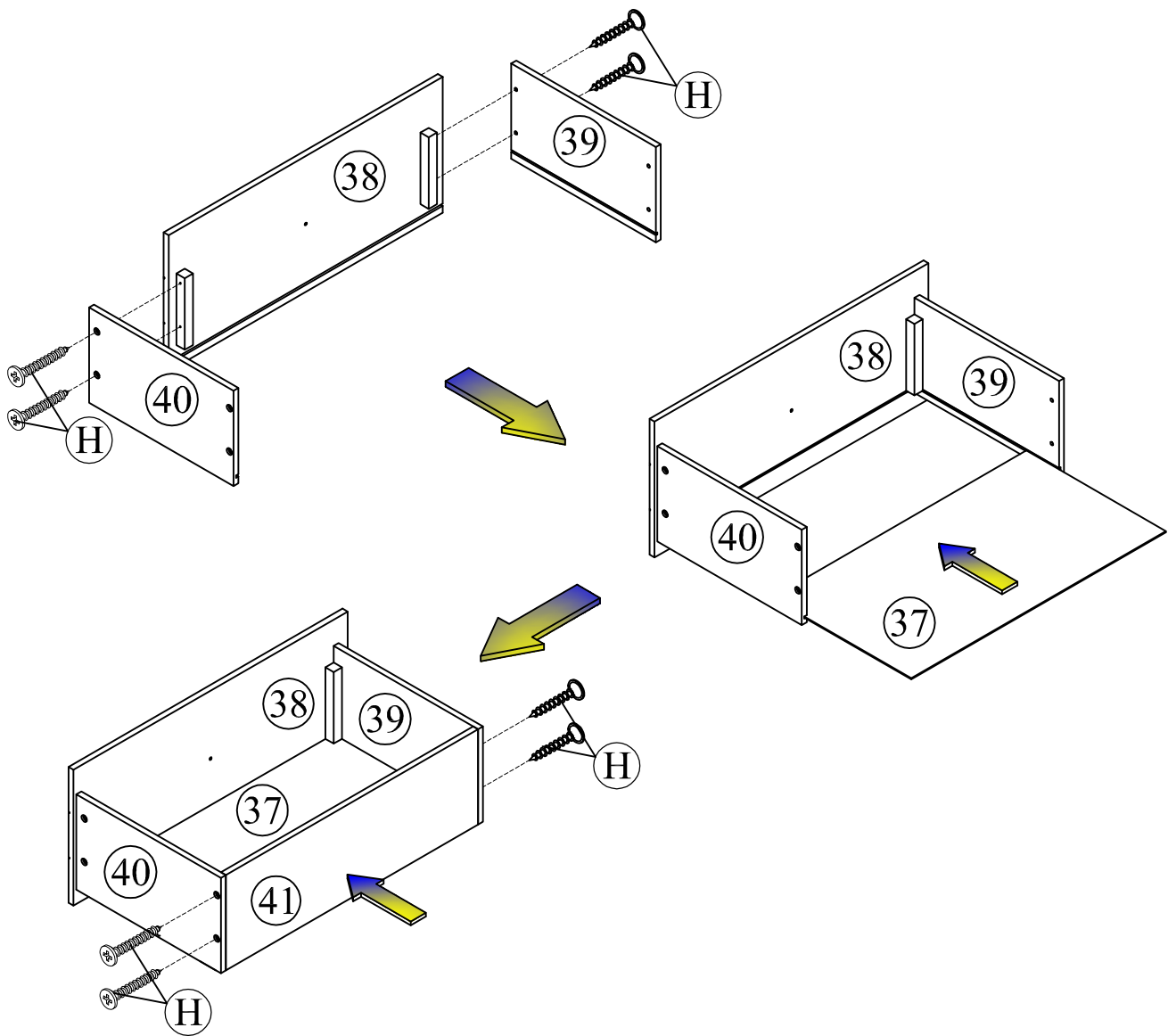
STEP 13:

G		18
L		03

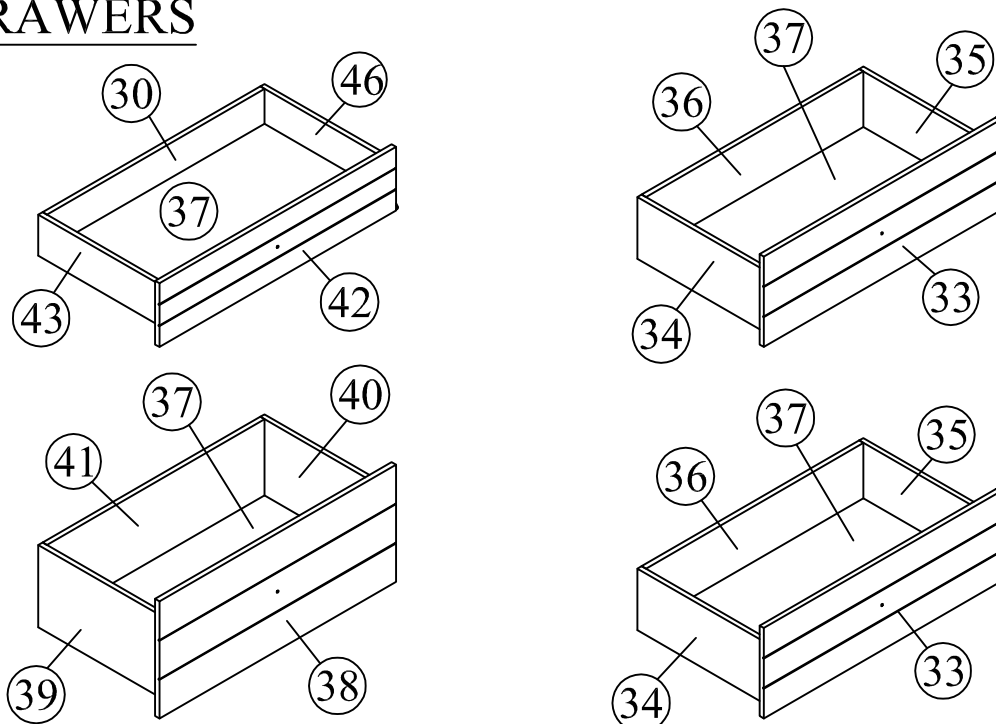


STEP 14:

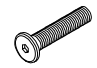

The assembly steps for all 4 compartments are the same.

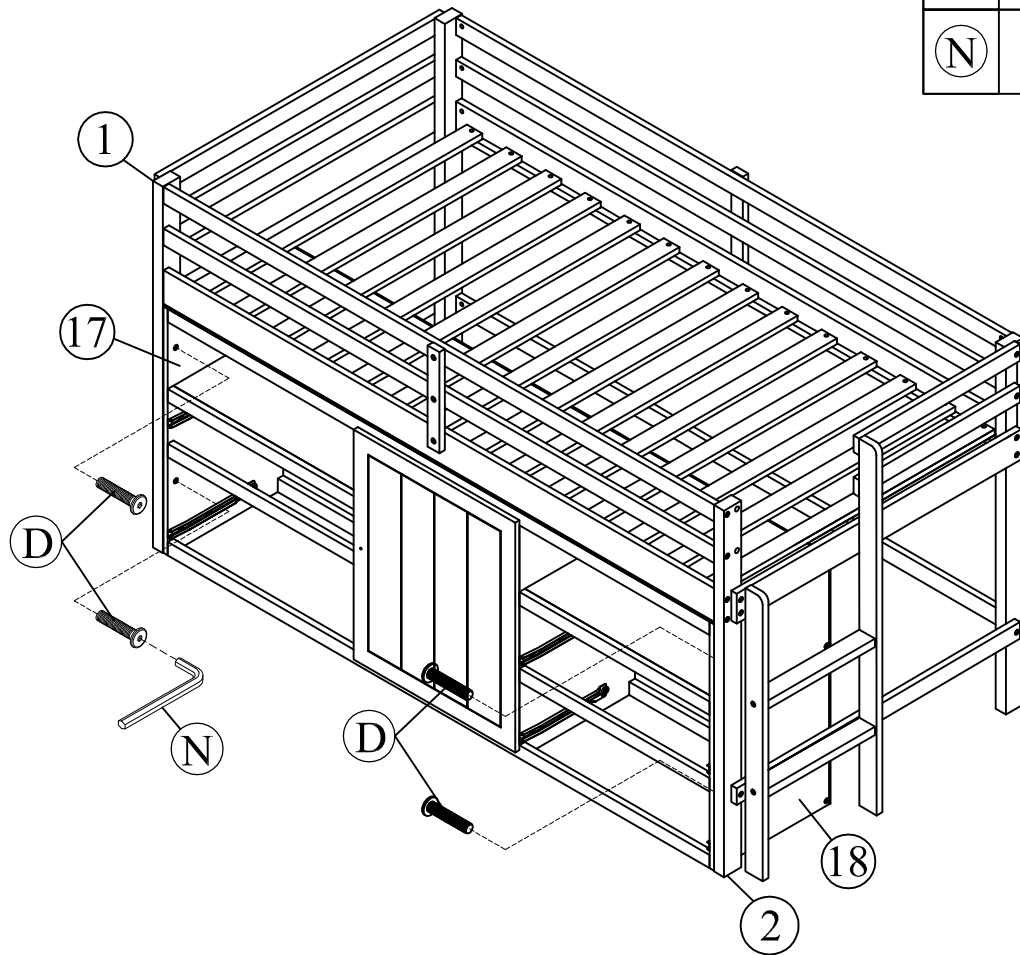


FINAL DRAWERS

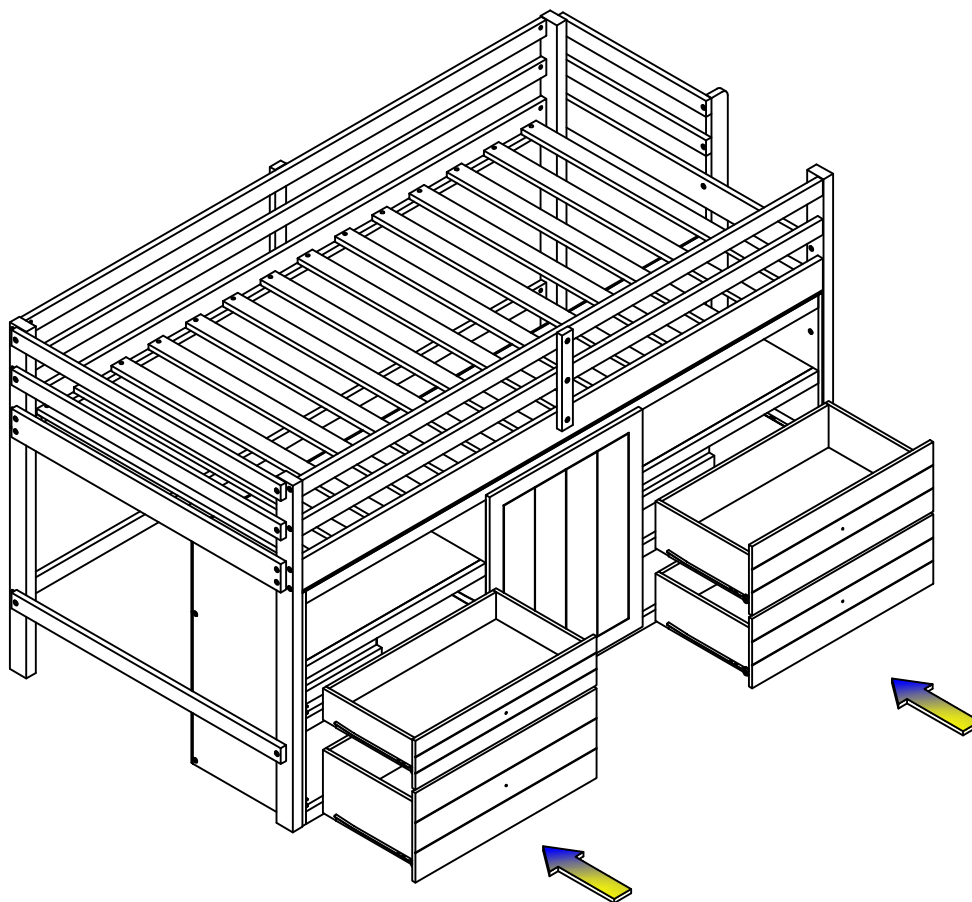


STEP 15:

(D)		04
(N)		01

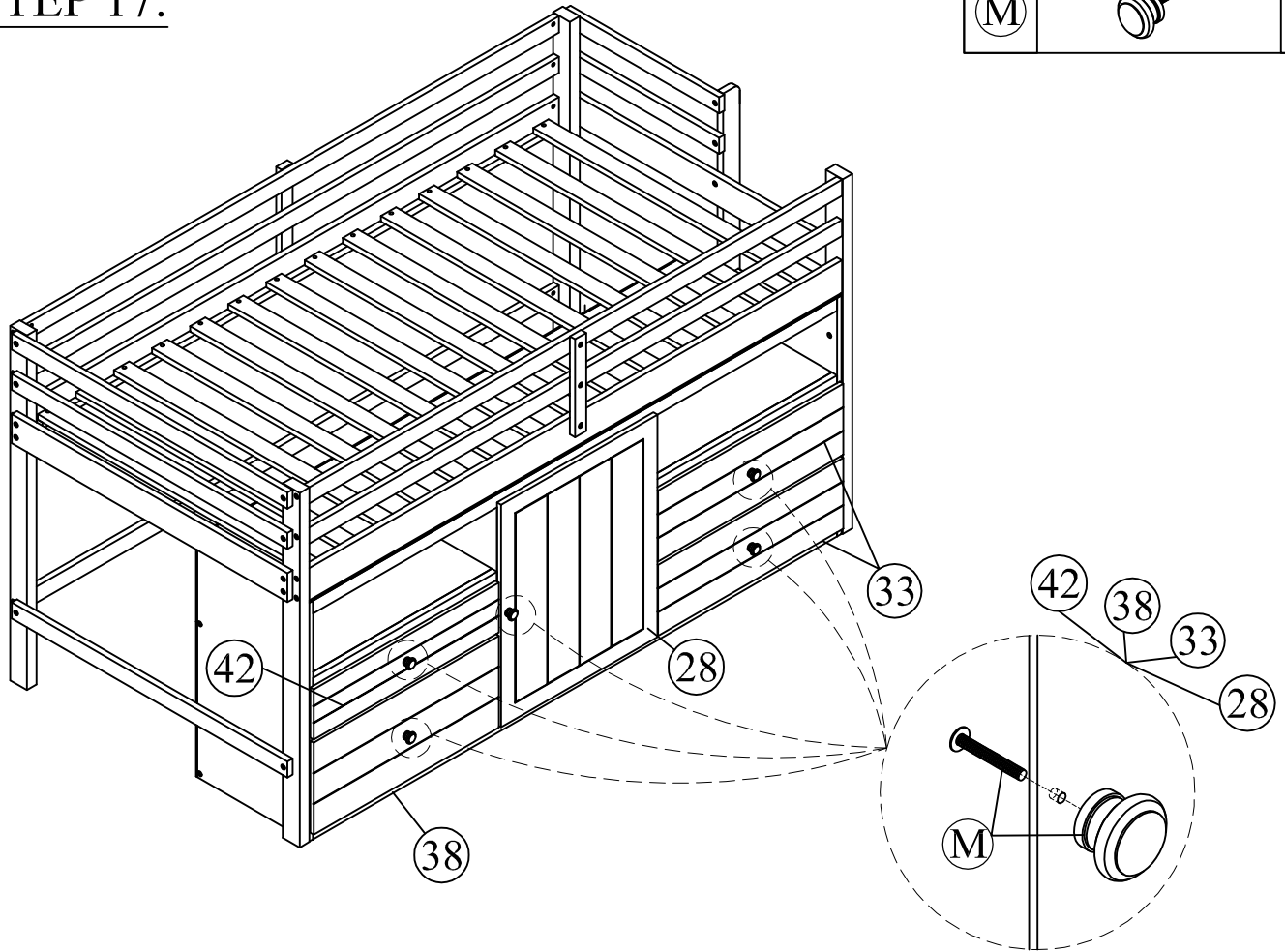


STEP 16:

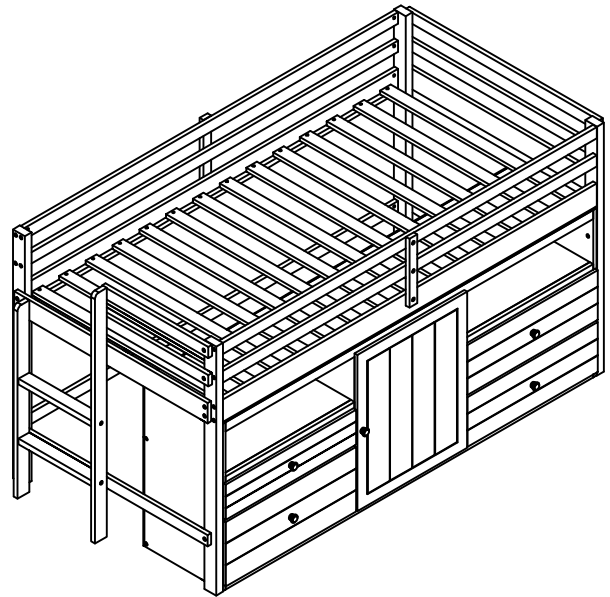
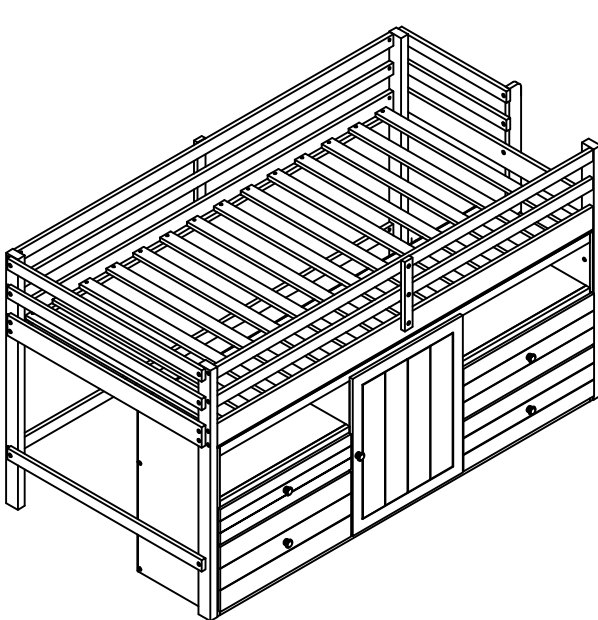


STEP 17:

M		05
---	--	----



FINAL:



OPTION 1:

OPTION 2: