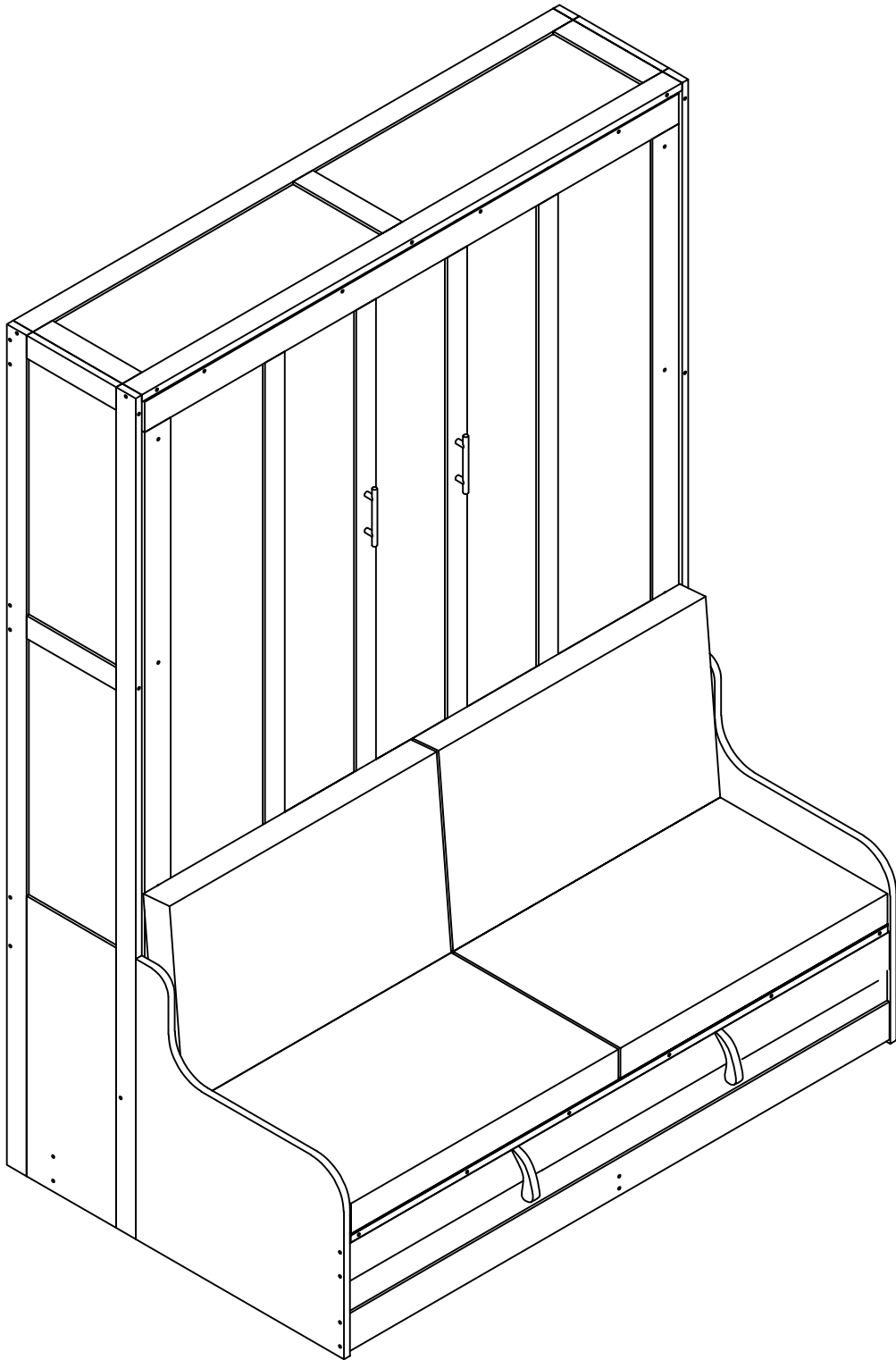


ASSEMBLY INSTRUCTION

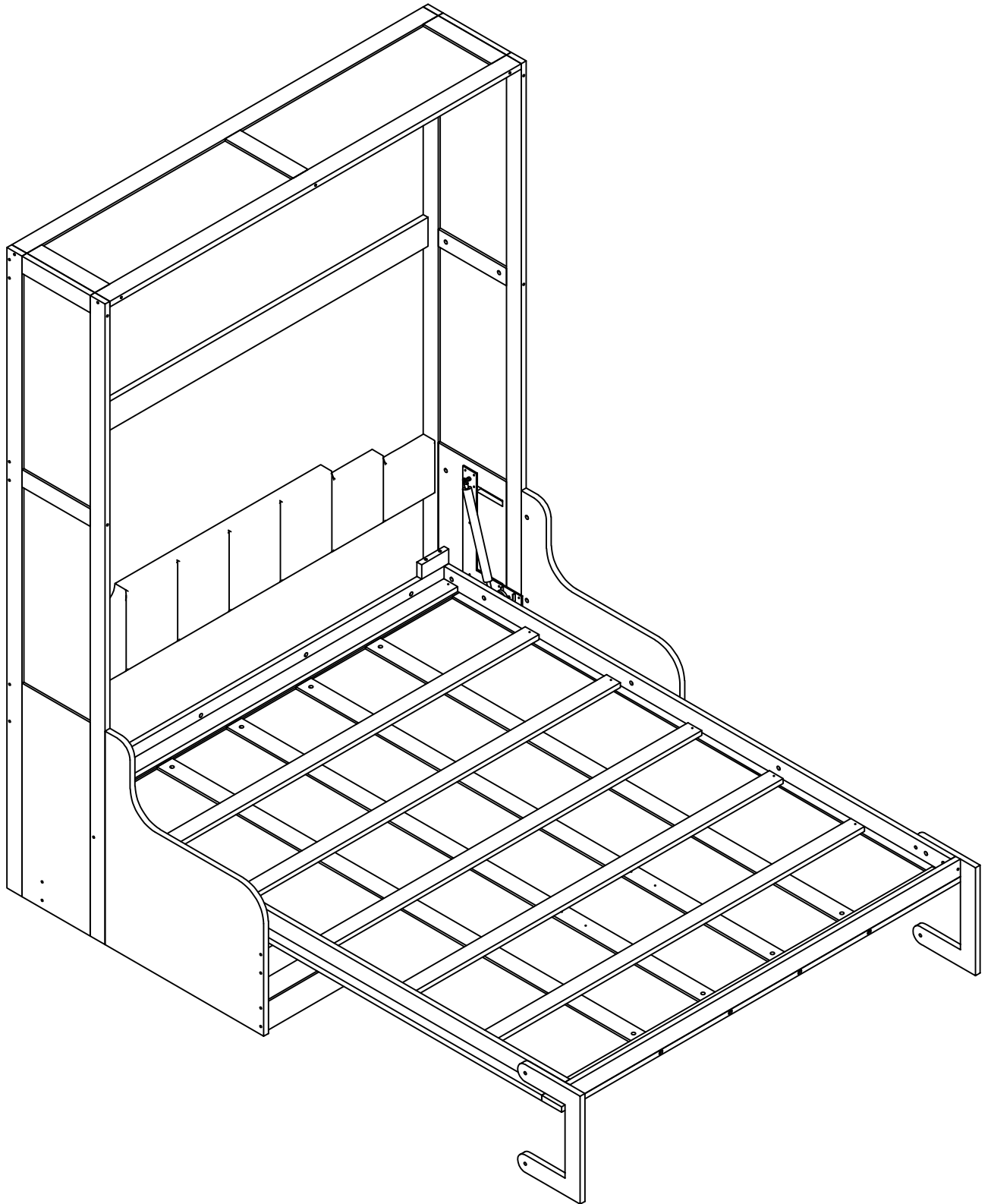
SKU CODE: (WF312042/WF312043/WF312044)



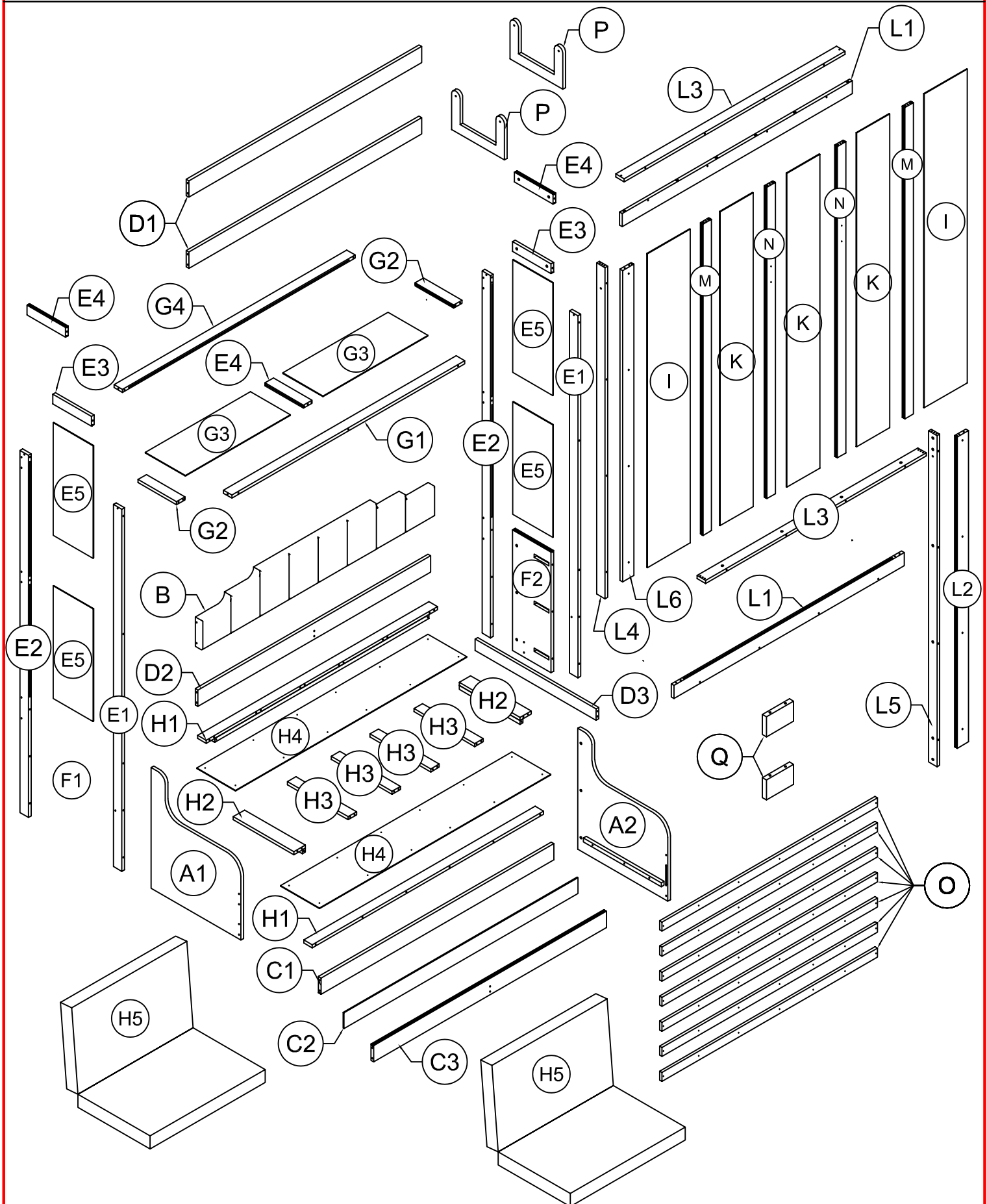
Four people are required to assemble and move this model.

ASSEMBLY INSTRUCTION

SKU CODE: (WF312042/WF312043/WF312044)

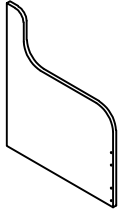


ASSEMBLY INSTRUCTION



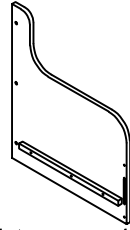
Part List (WF312042)

A1



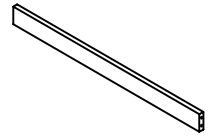
Left arm - 1pcs

A2



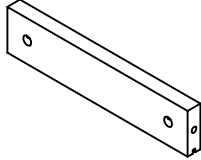
Right arm - 1pcs

D3



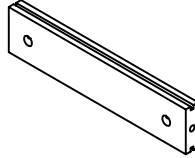
Connect bar - 1pcs

E3



Short bar - 2pcs

E4



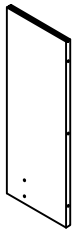
Short bar - 3pcs

E5



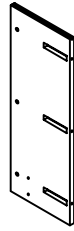
Side panels - 4pcs

F1



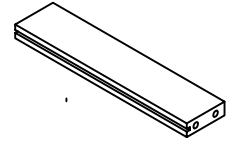
Side panels left - 1pcs

F2



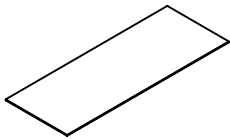
Side panels right - 1pcs

G2



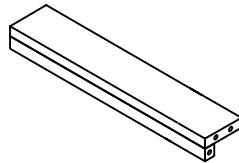
Short bar - 2pcs

G3



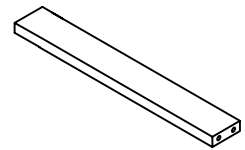
Side panels top - 2pcs

H2



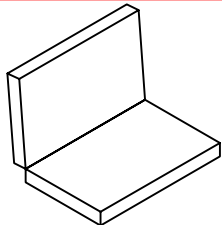
Short bar sofa - 2pcs

H3



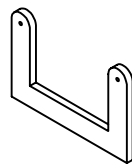
Connect bar - 4pcs

H5



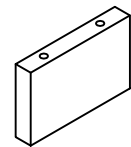
Seat cushions - 2pcs

P



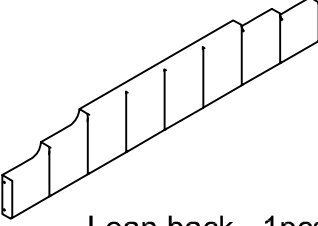
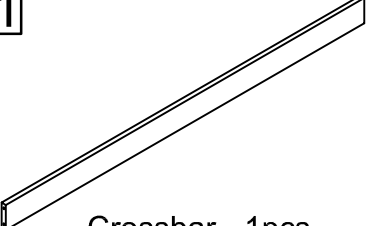
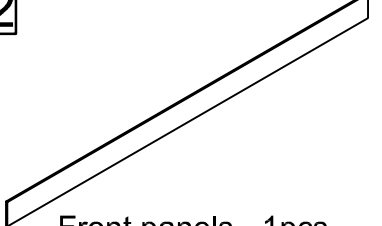

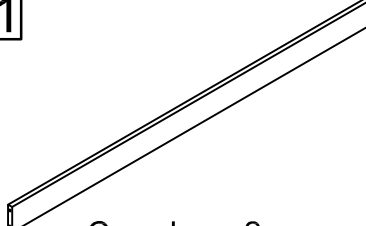
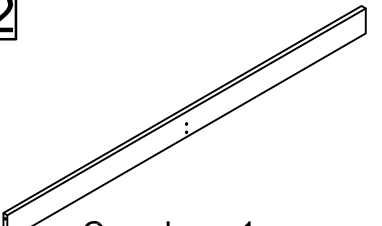
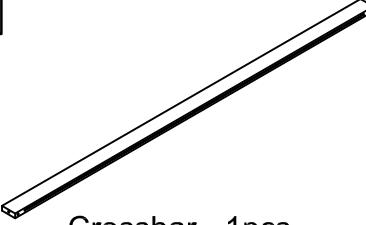
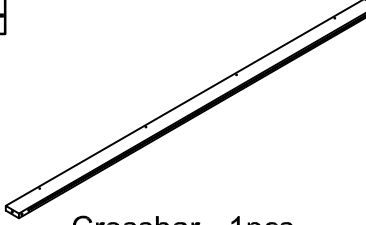
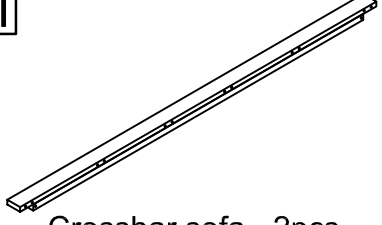
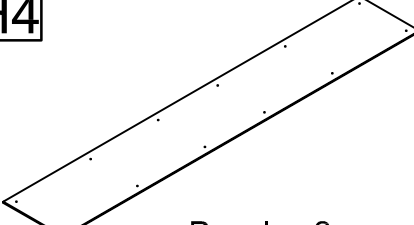



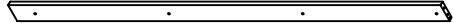
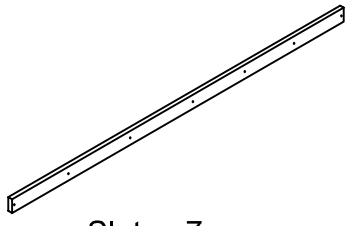
Legs - 2pcs

Q



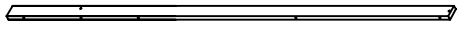
Support Panels - 2pcs

Part List (WF312043)

B  Lean back - 1pcs	C1  Crossbar - 1pcs	C2  Front panels - 1pcs
C3  Crossbar - 1pcs	D1  Crossbar - 2pcs	D2  Crossbar - 1pcs
G1  Crossbar - 1pcs	G4  Crossbar - 1pcs	H1  Crossbar sofa - 2pcs
H4  Panels - 2pcs	L1  Crossbar sofa - 2pcs	L2  Crossbar sofa - 1pcs
L3  Crossbar sofa - 2pcs	L6  Crossbar sofa - 1pcs	O  Slats - 7pcs

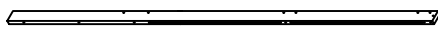
Part List (WF312044)

E1



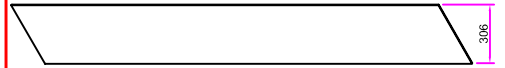
Front bar - 2pcs

E2



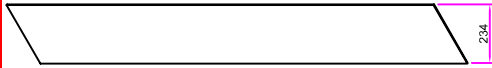
Back bar - 2pcs

I



Panels - 2pcs

K



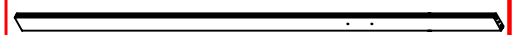
Panels - 3pcs

M



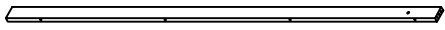
Vertical bar - 2pcs

N



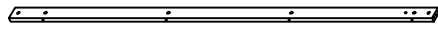
Vertical bar - 2pcs

L4






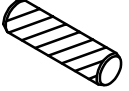
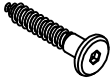


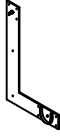


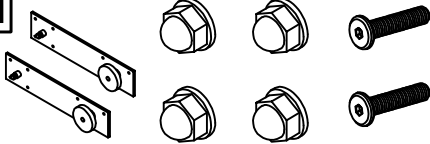
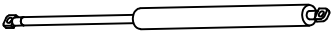
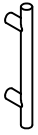
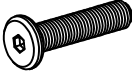


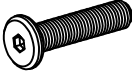

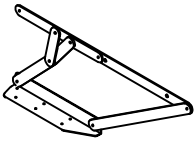
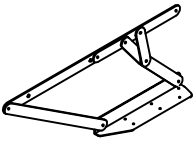


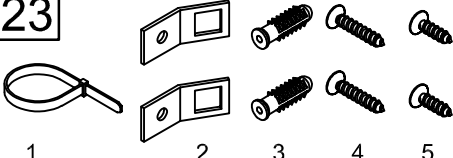

Crossbar - 1pcs

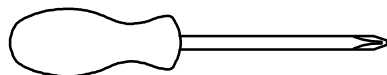
L5



Crossbar - 1pcs



Hardware List (WF312042)

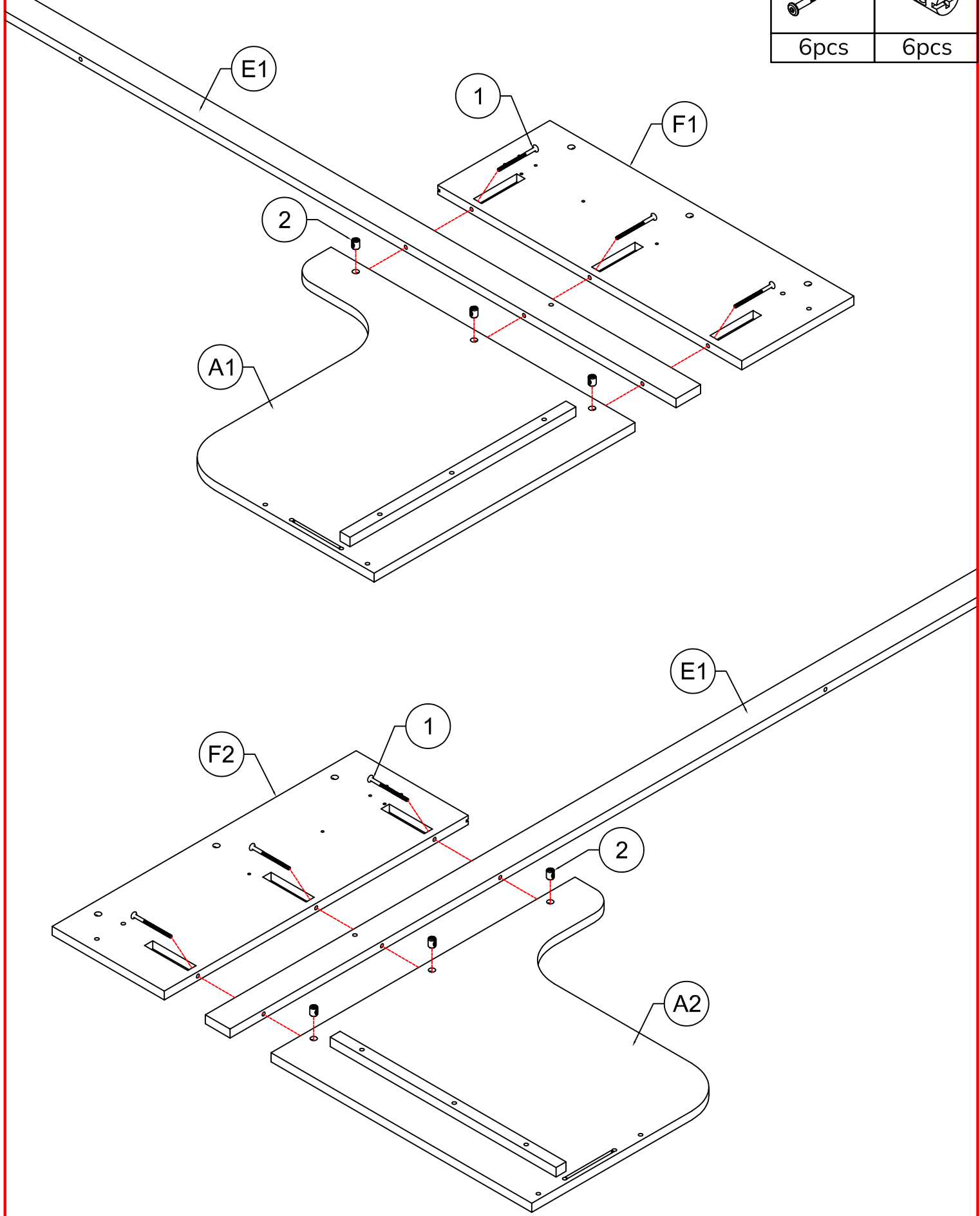
<p>1</p>  <p>1/4" x 100mm Hex-Head bolts 18pcs</p>	<p>2</p>  <p>1/4" x 15mm Horizontal -Hole bolts 102pcs</p>	<p>3</p>  <p>1/4" x 50mm Hex-Head bolts 52pcs</p>
<p>4</p>  <p>Ø8 x 30 mm Wood dowel 44pcs</p>	<p>5</p>  <p>1/4" x 50 mm Wood Screws 4pcs</p>	<p>6</p>  <p>#4 x 20 mm Wood Screws 36pcs</p>
<p>7</p>  <p>Left L 1pcs</p>	<p>8</p>  <p>Right L 1pcs</p>	<p>9</p>  <p>1/4" x 90mm Hex-Head bolts 32pcs</p>
<p>10</p>  <p>#4 x 30 mm Wood Screws 46pcs</p>	<p>11</p>  <p>Steel 1set</p>	<p>12</p>  <p>Piston 2pcs</p>
<p>13</p>  <p>Holder 2pcs</p>	<p>14</p>  <p>1/4" x 25mm Hex-Head bolts 2pcs</p>	<p>15</p>  <p>1/4" x 30mm Steeve Nut 2pcs</p>
<p>16</p>  <p>M4 x 25mm Hex-Head bolts 4pcs</p>	<p>17</p>  <p>1/4" x 15mm Hex-Head bolts 6pcs</p>	<p>18</p>  <p>#4 x 15 mm Wood Screws 38pcs</p>
<p>19</p>  <p>Left iron frame 1pcs</p>	<p>20</p>  <p>Right iron frame 1pcs</p>	<p>21</p>  <p>Fabric 2pcs</p>
<p>22</p>  <p>Allen Key 2pcs</p>	<p>23</p>  <p>Wall brackets 1set</p>	<p>24</p>  <p>#4 x 50 mm Wood Screws 4pcs</p>





Assembly Tools Required (Not Included)

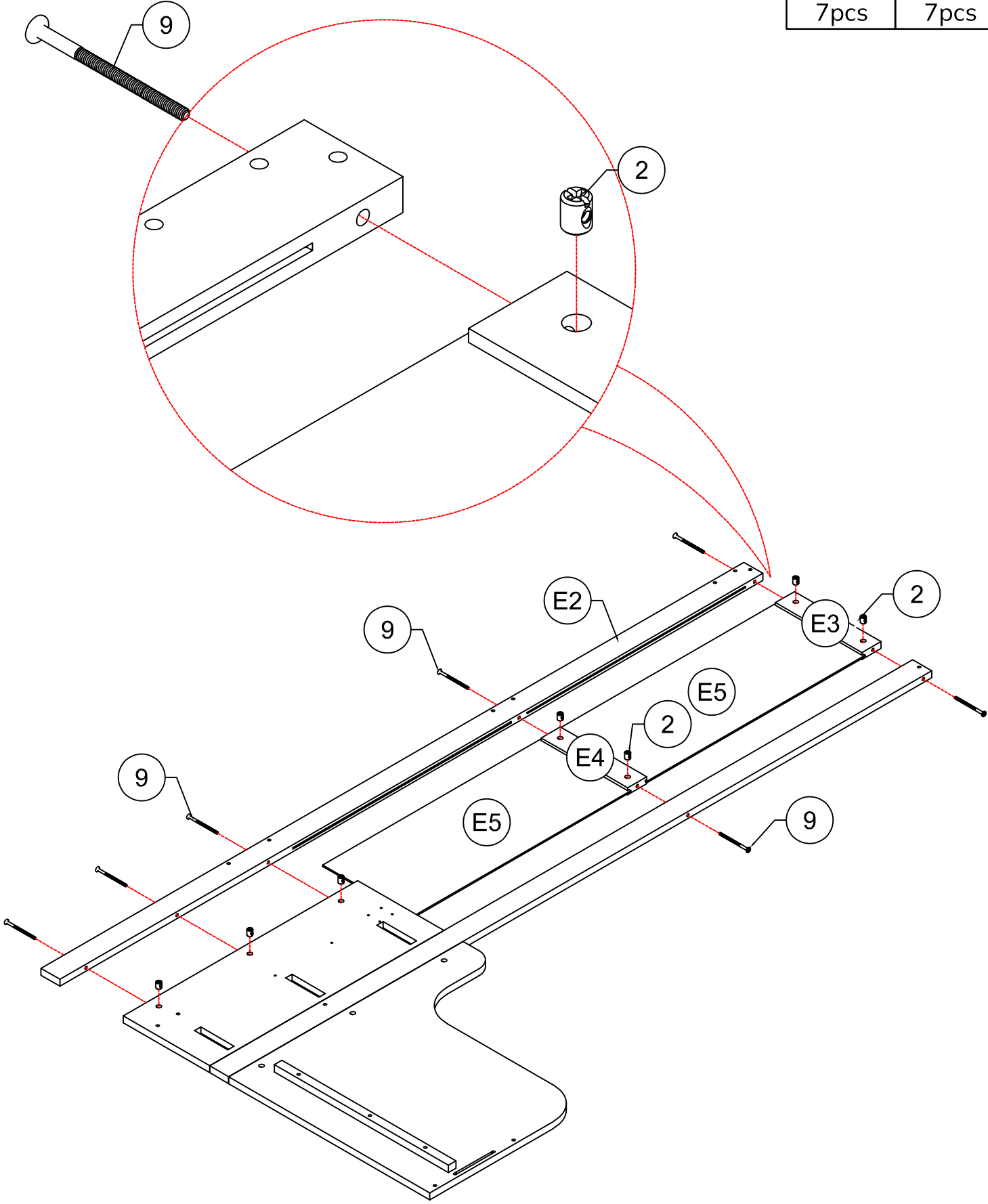
STEP 1: Following below illustration:

1	2
	
6pcs	6pcs





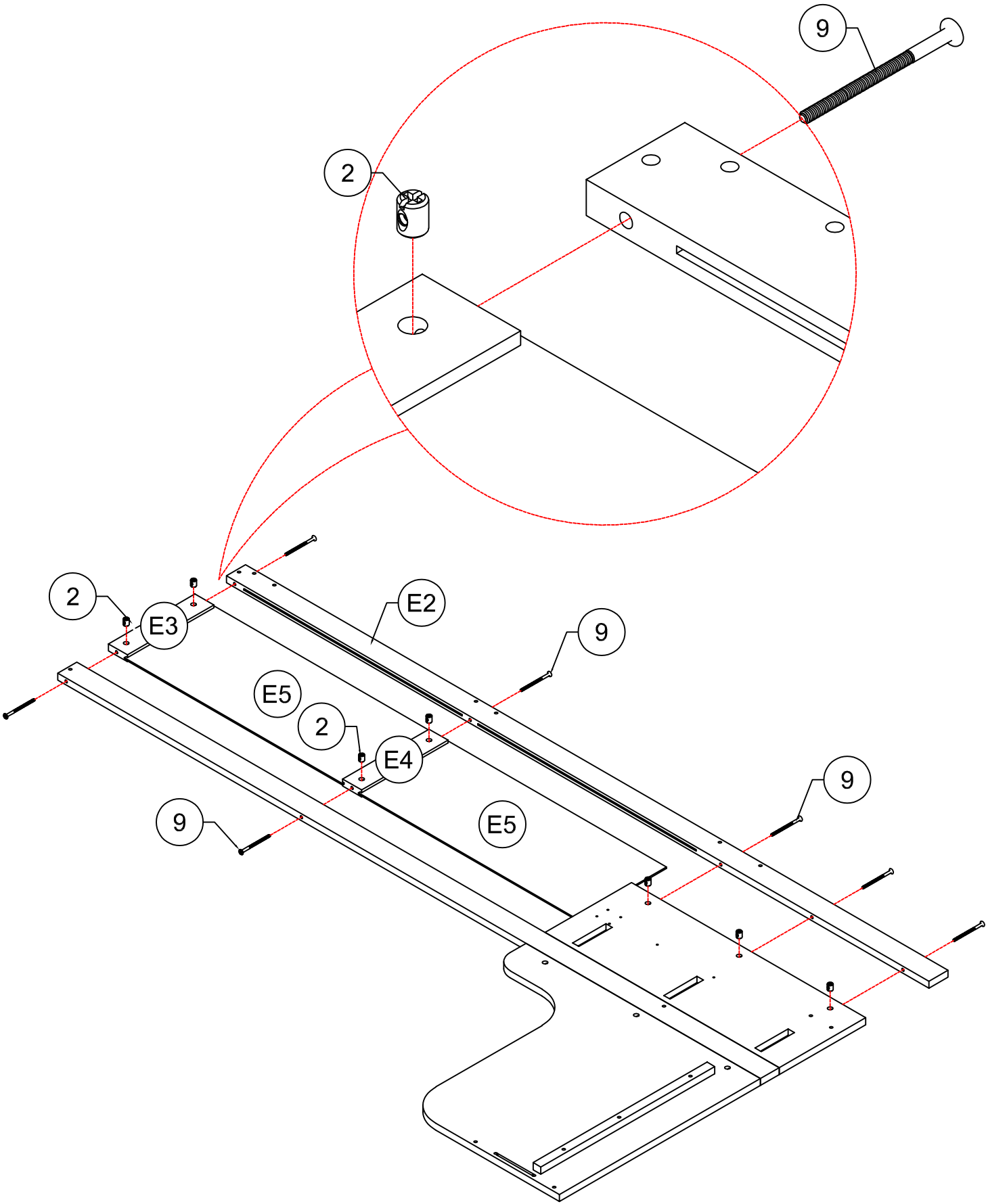
STEP 2: Following below illustration:

9	2
	
7pcs	7pcs





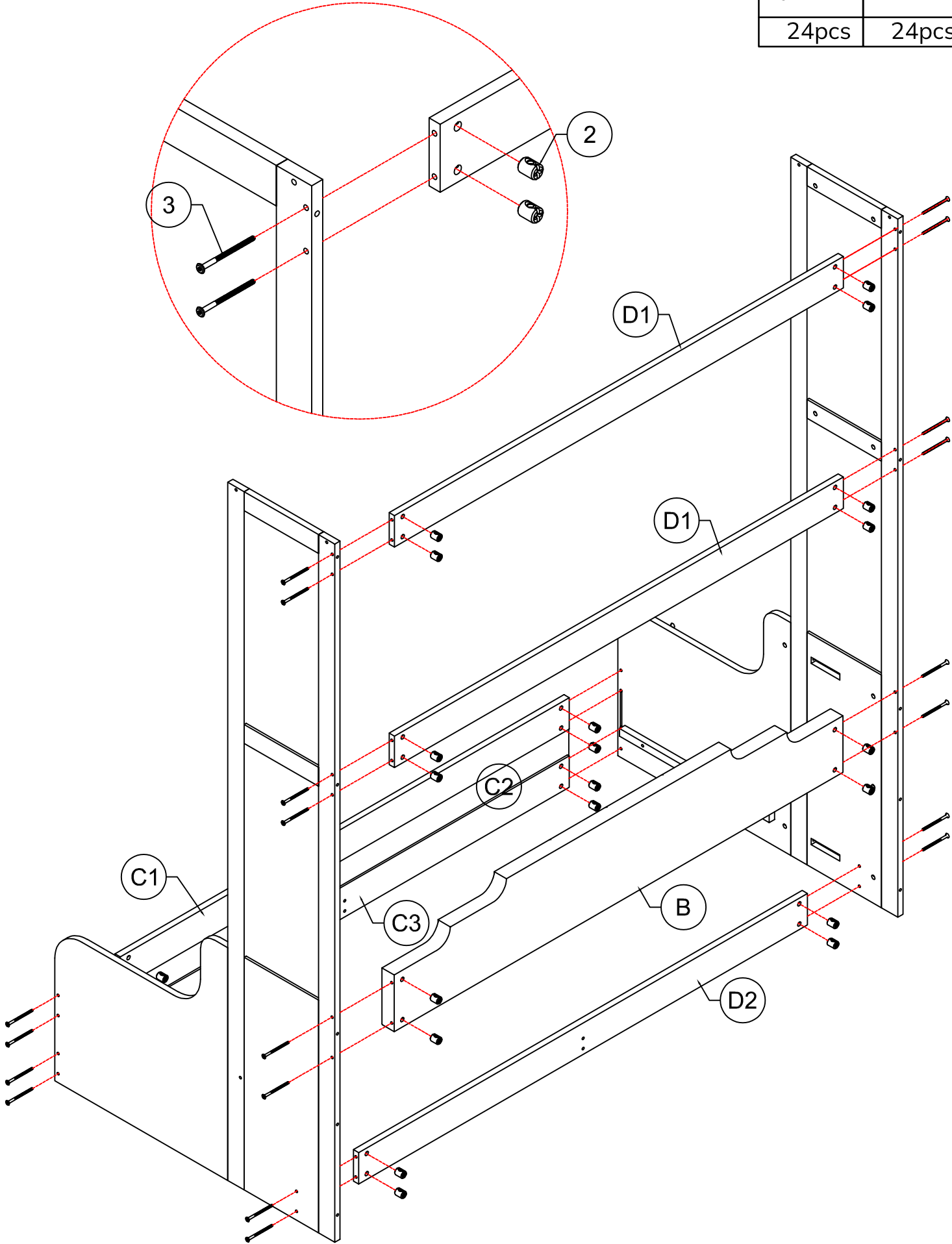
STEP 3: Following below illustration:

9	2
	
7pcs	7pcs

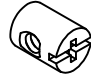

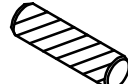


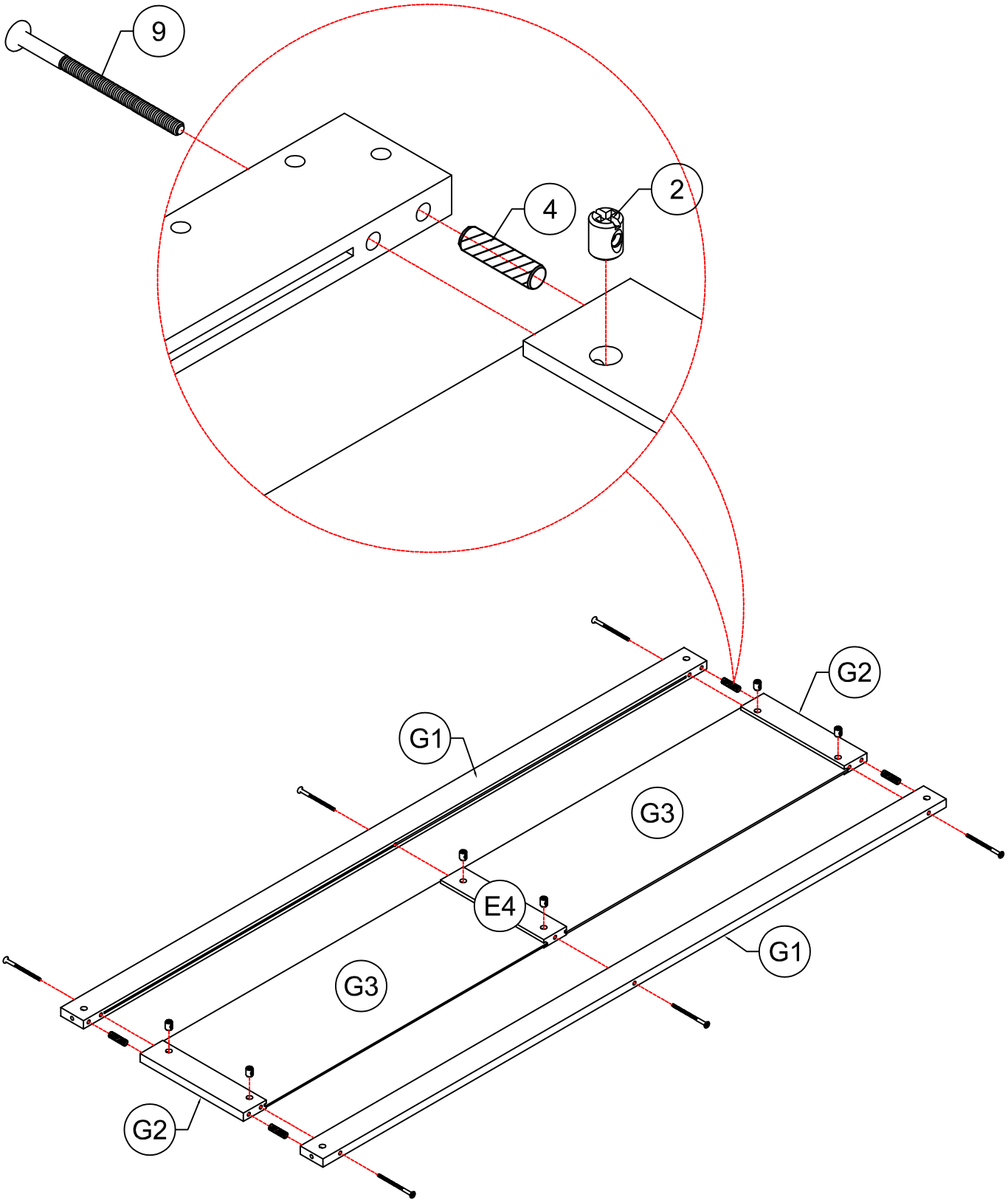
STEP 4: Following below illustration:

3	2
	
24pcs	24pcs


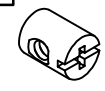
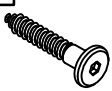


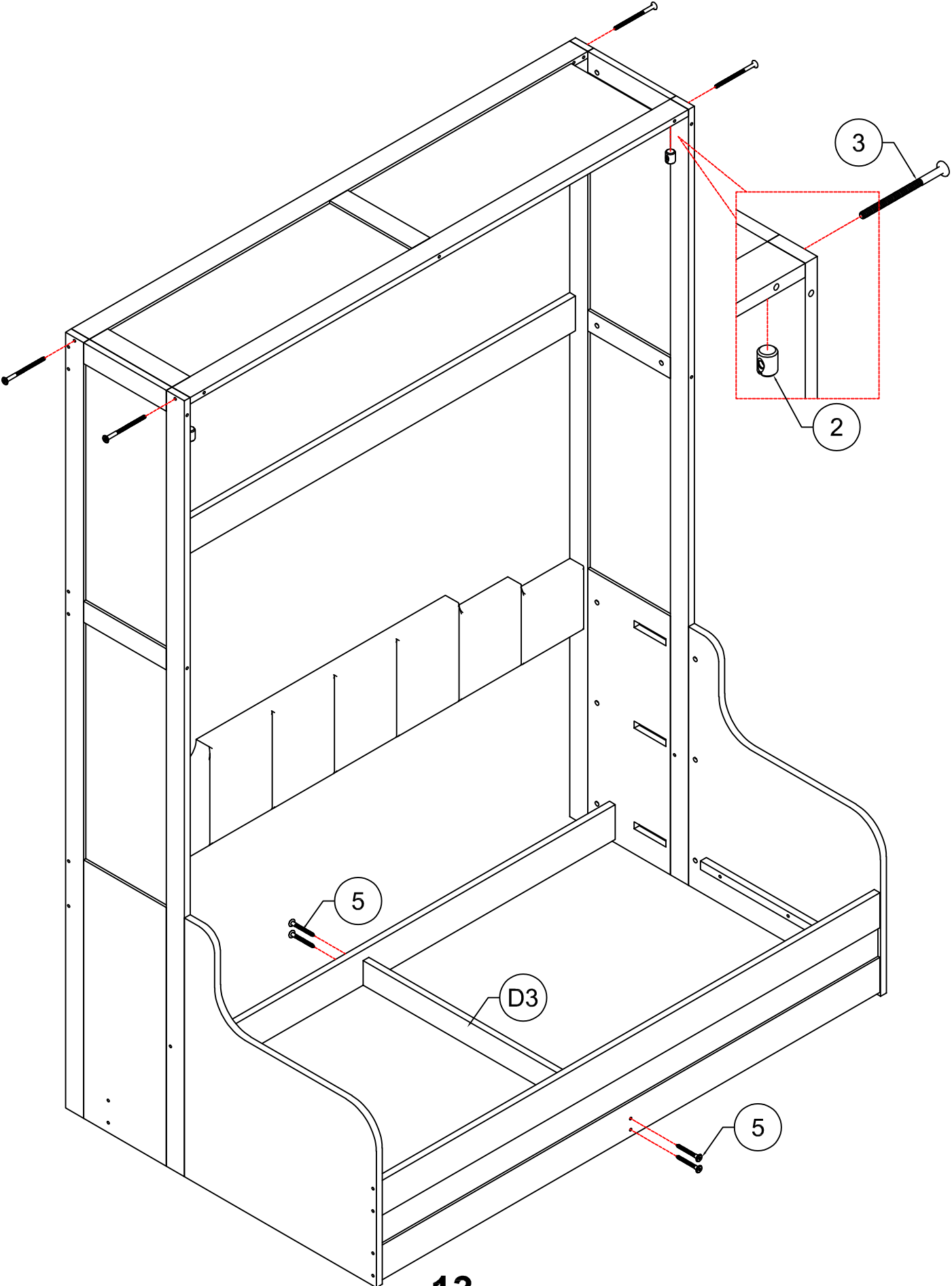
STEP 5: Following below illustration:

2	9	4
		
6pcs	6pcs	4pcs


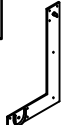
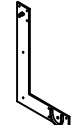
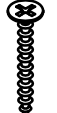


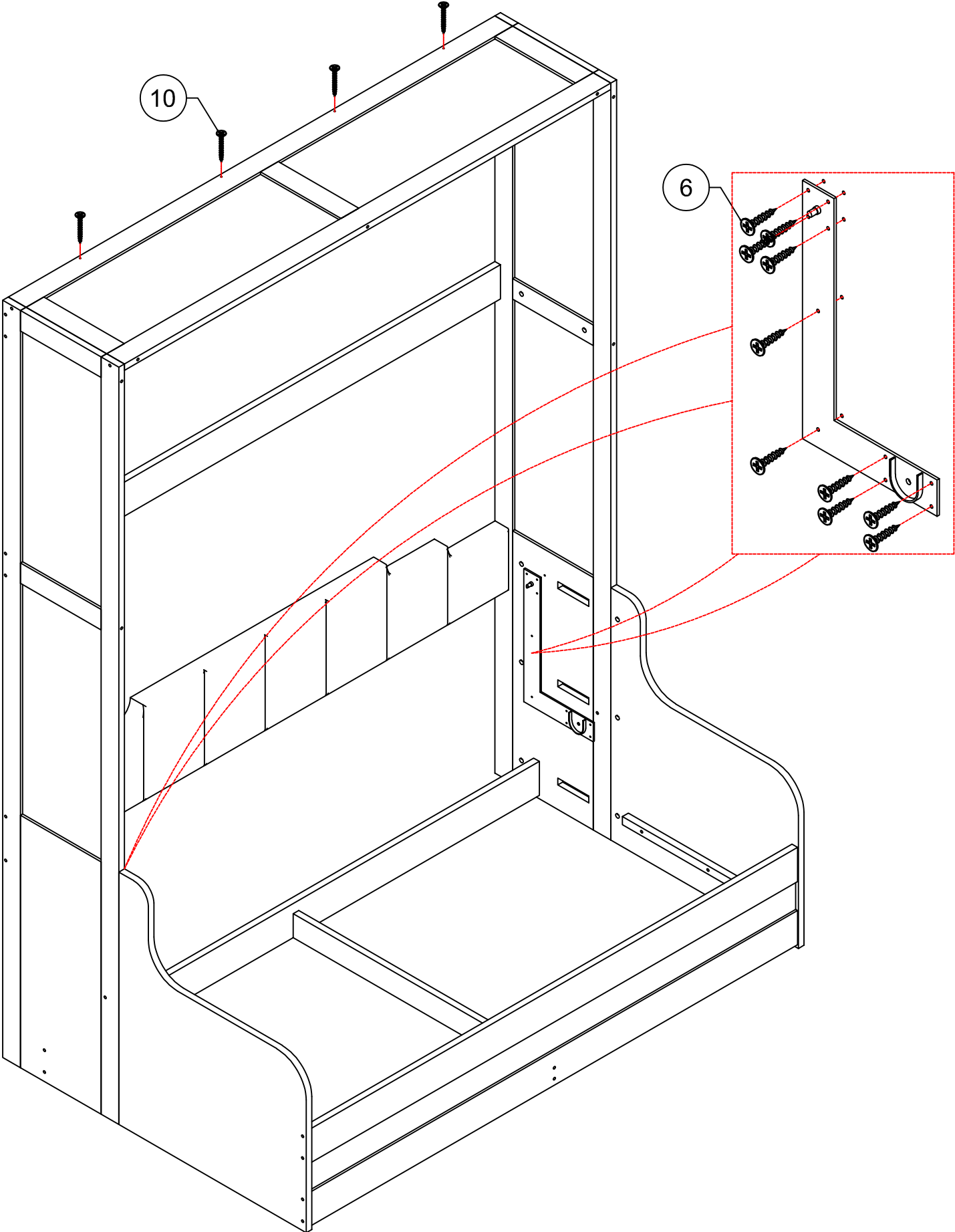
STEP 6: Following below illustration:

3	2	5
		
4pcs	4pcs	4pcs






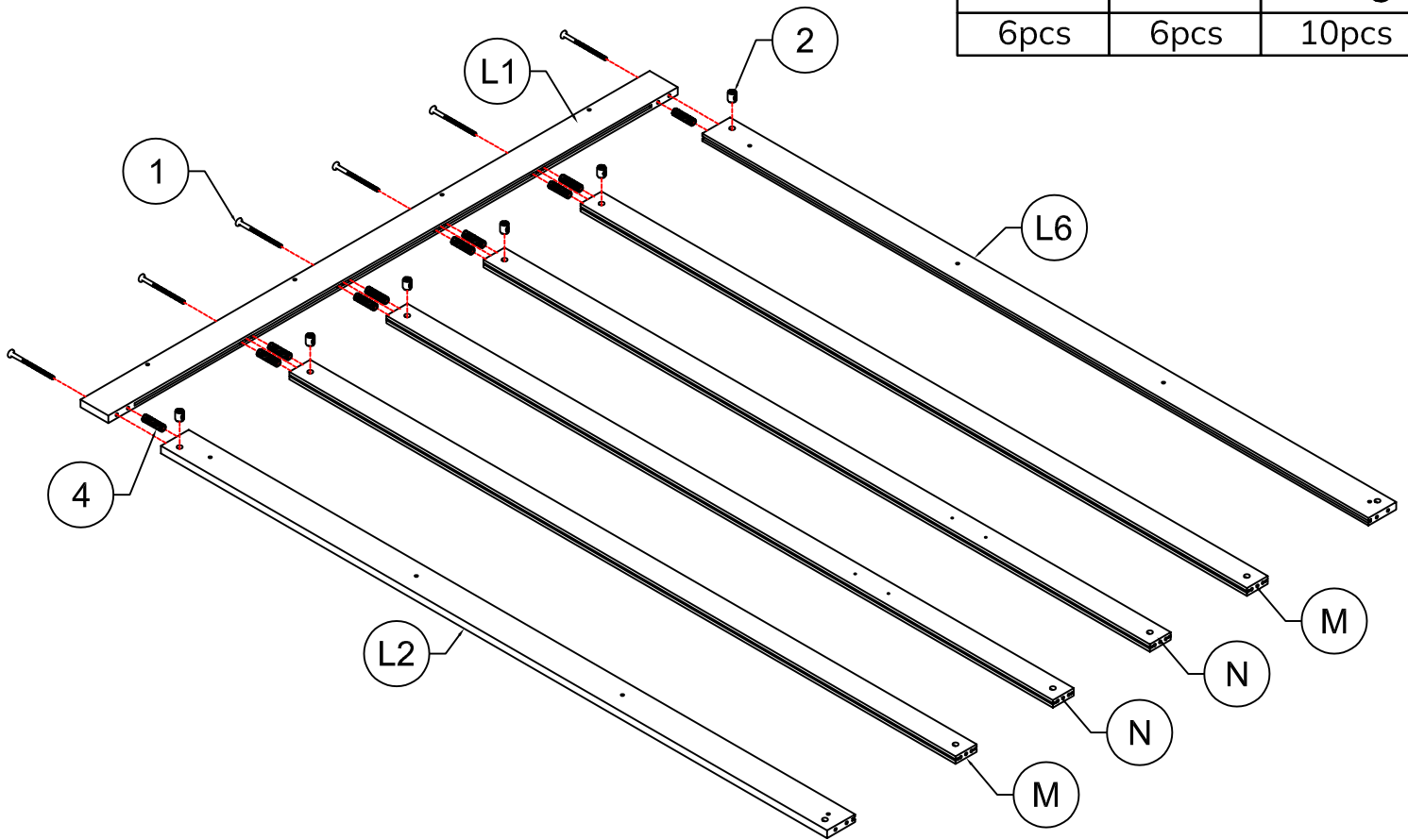
STEP 7: Following below illustration:

6	7	8	10
			
20pcs	1pcs	1pcs	4pcs

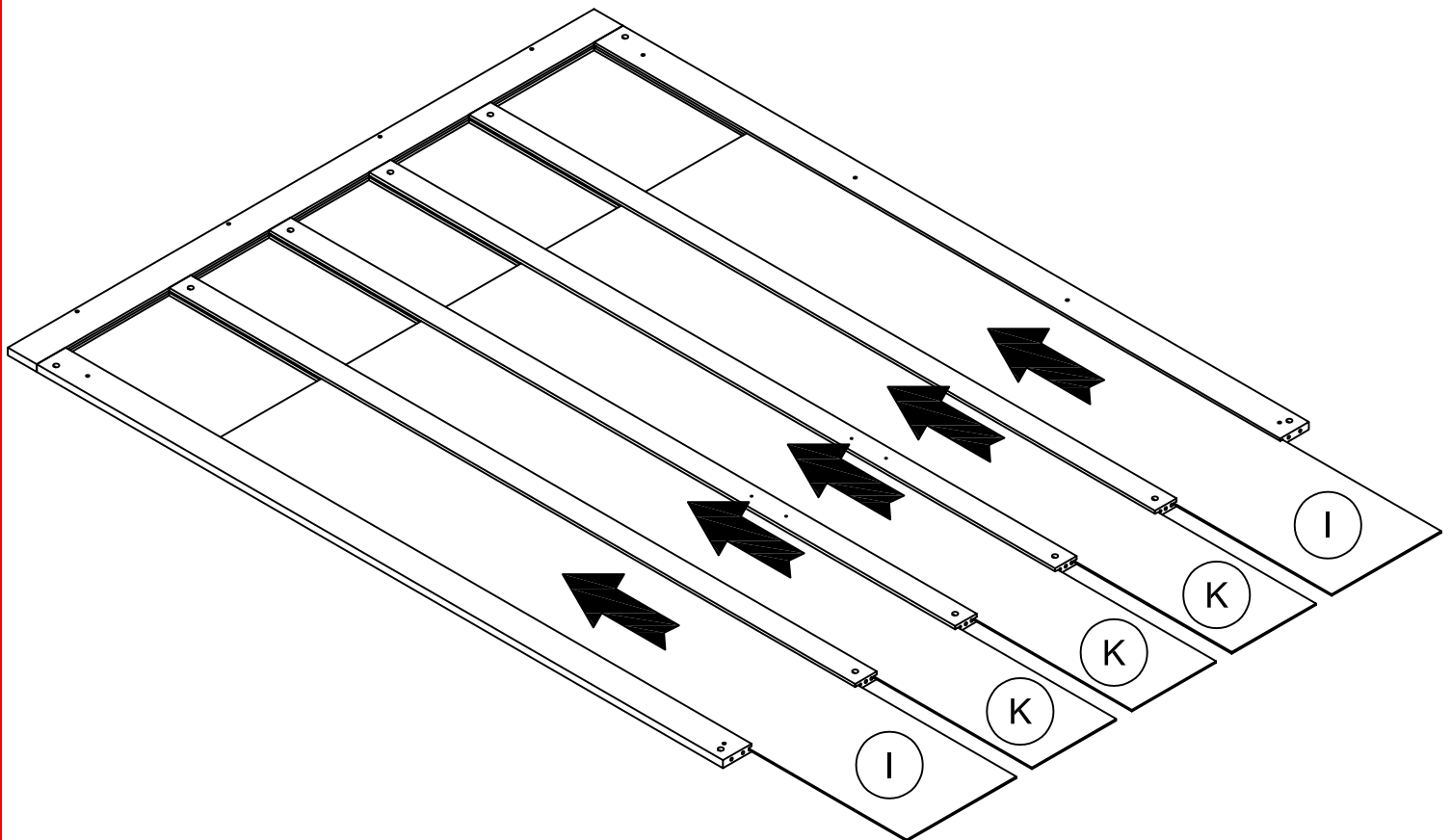


STEP 8: Following below illustration:

1	2	4
		
6pcs	6pcs	10pcs

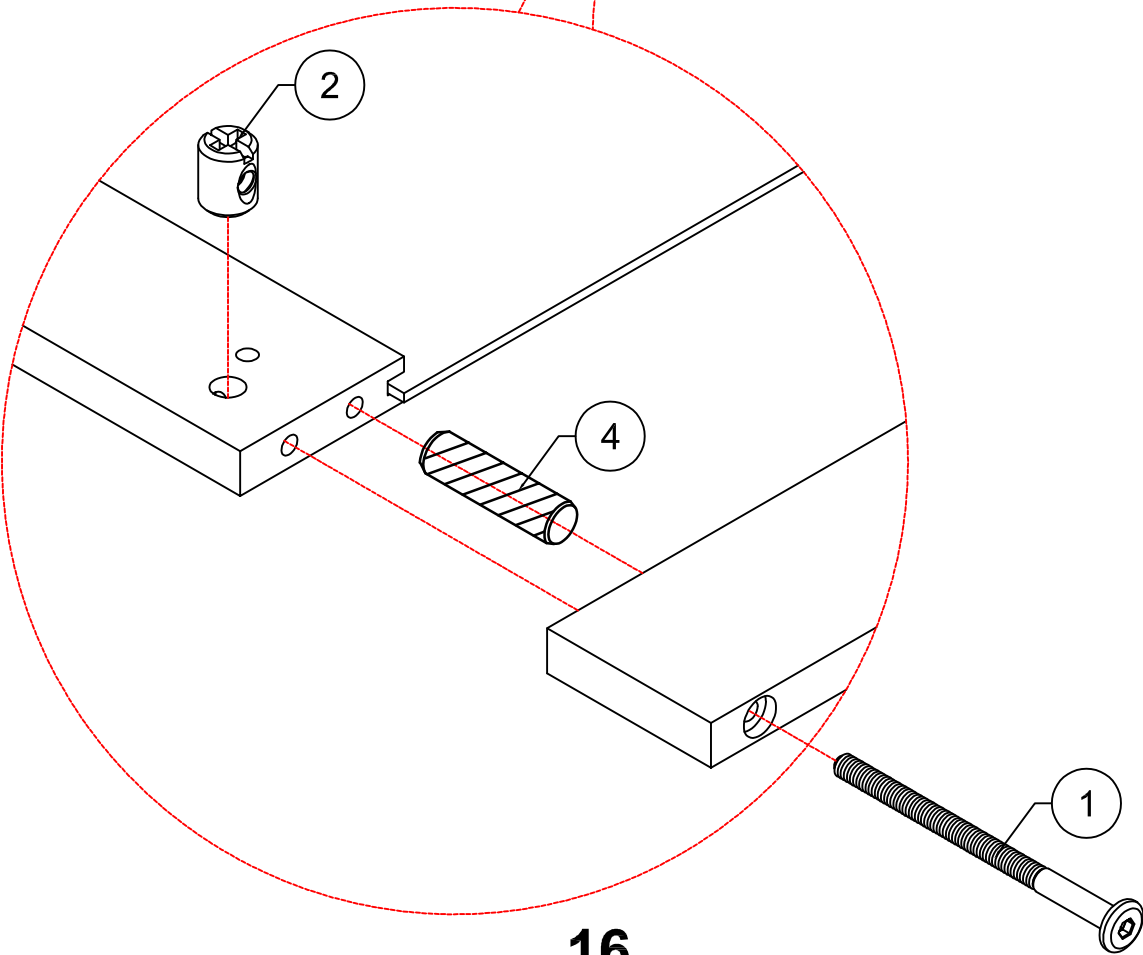
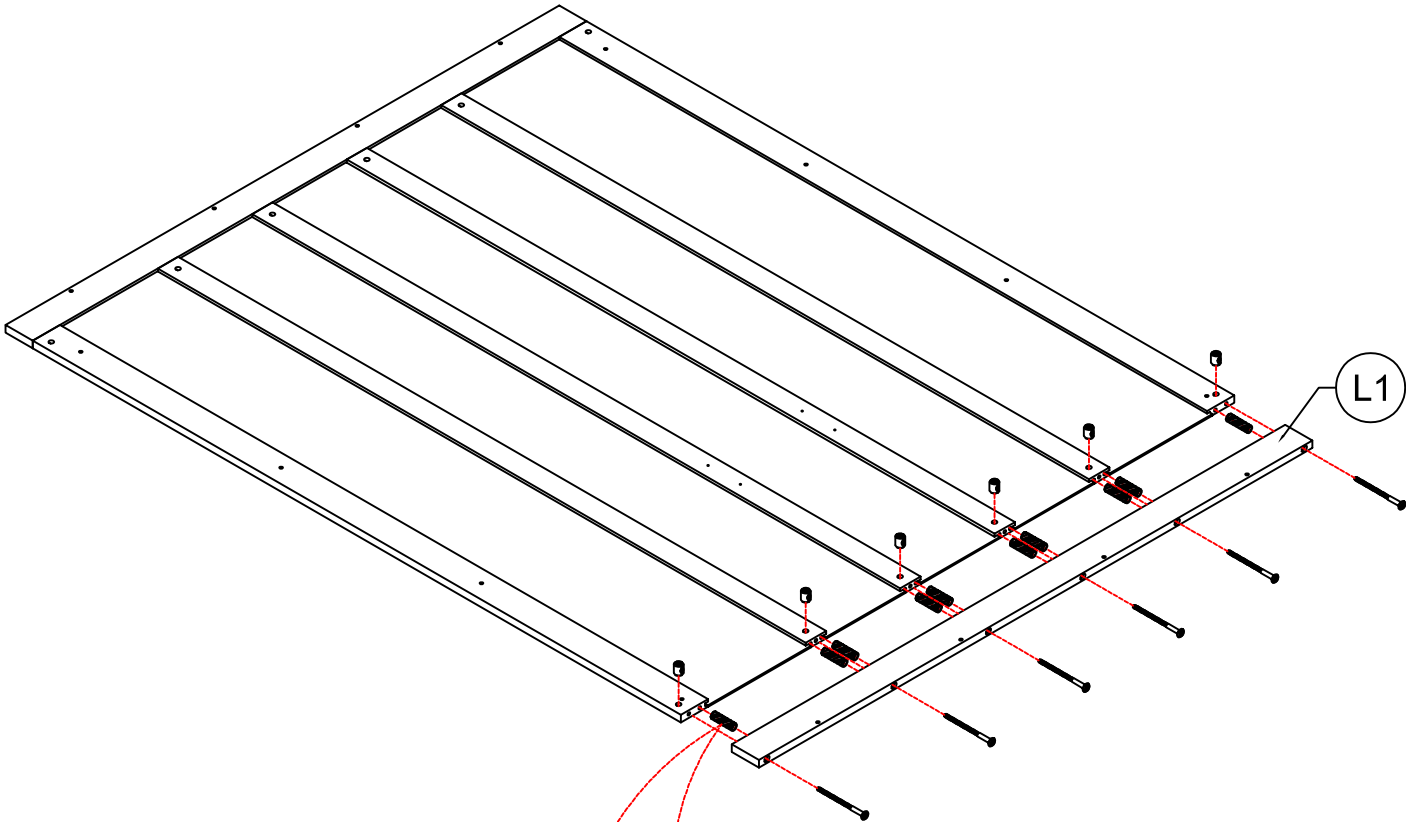


STEP 9: Following below illustration:




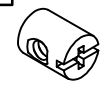
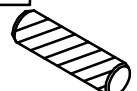
STEP 10: Following below illustration:

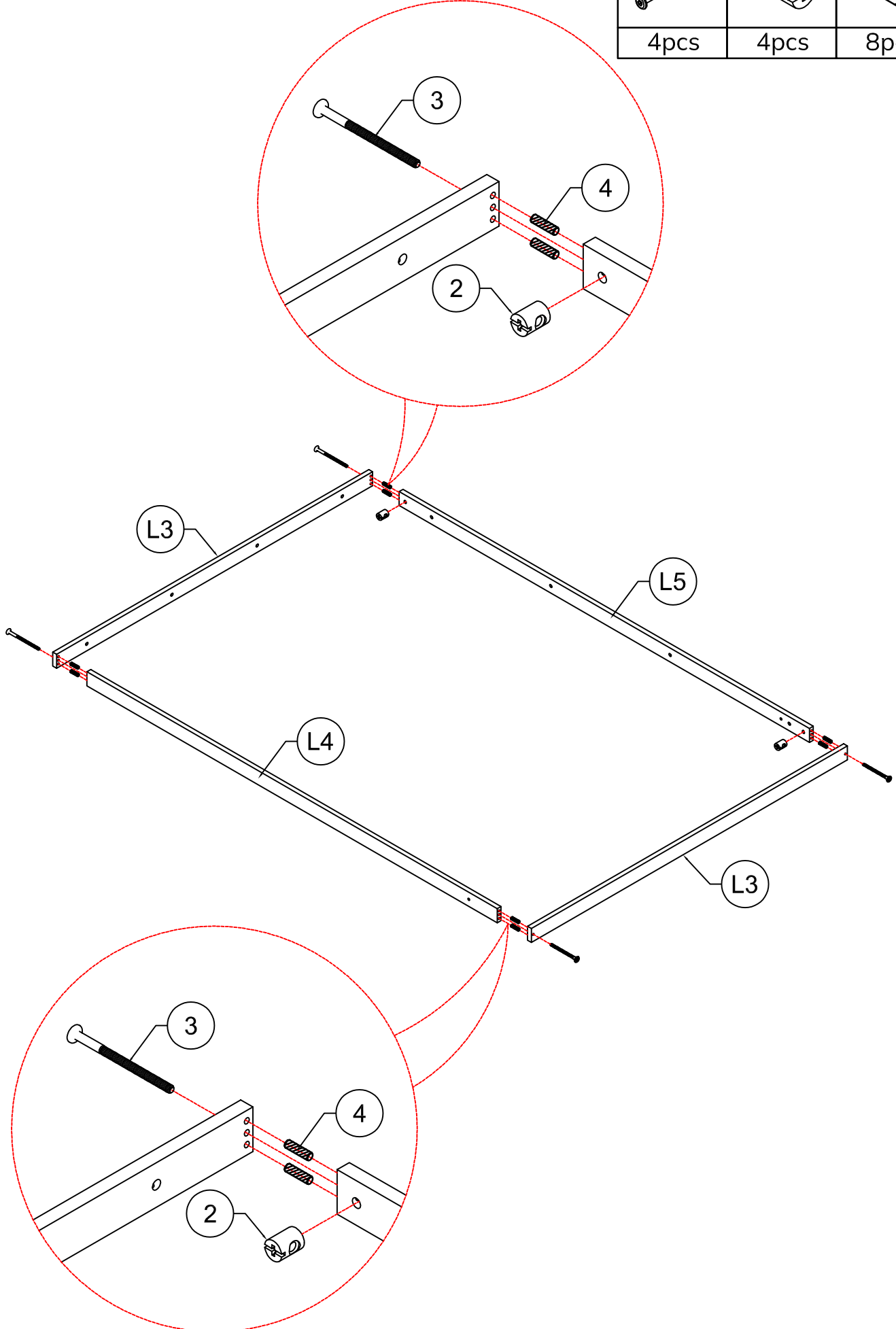
1	2	4
		
6pcs	6pcs	10pcs





16

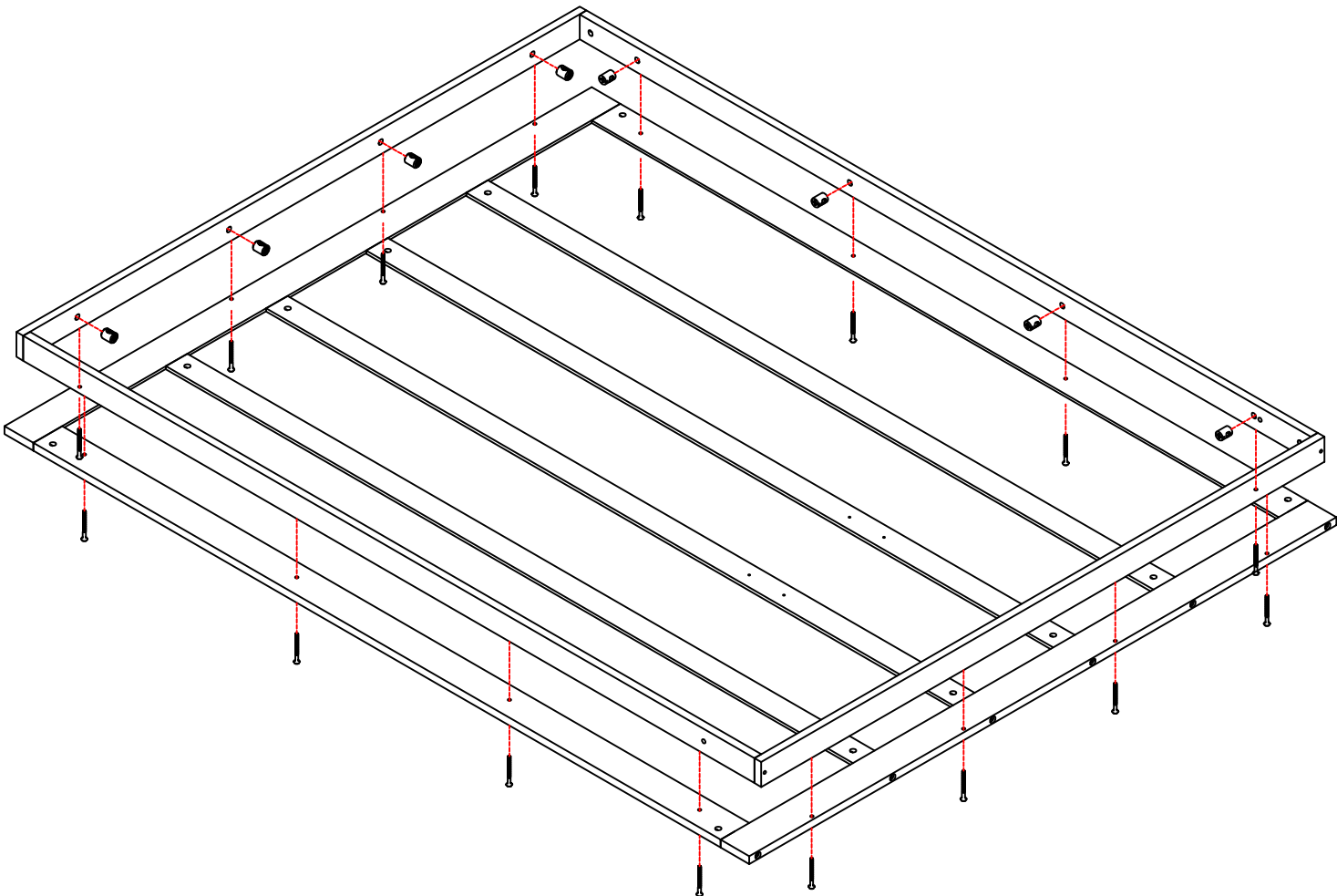
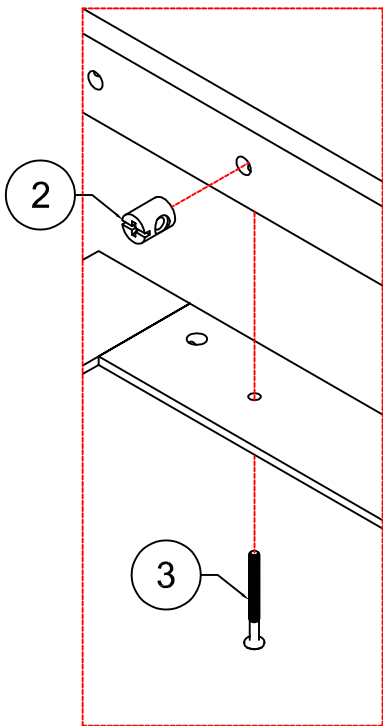
STEP 11: Following below illustration:

3	2	4
		
4pcs	4pcs	8pcs




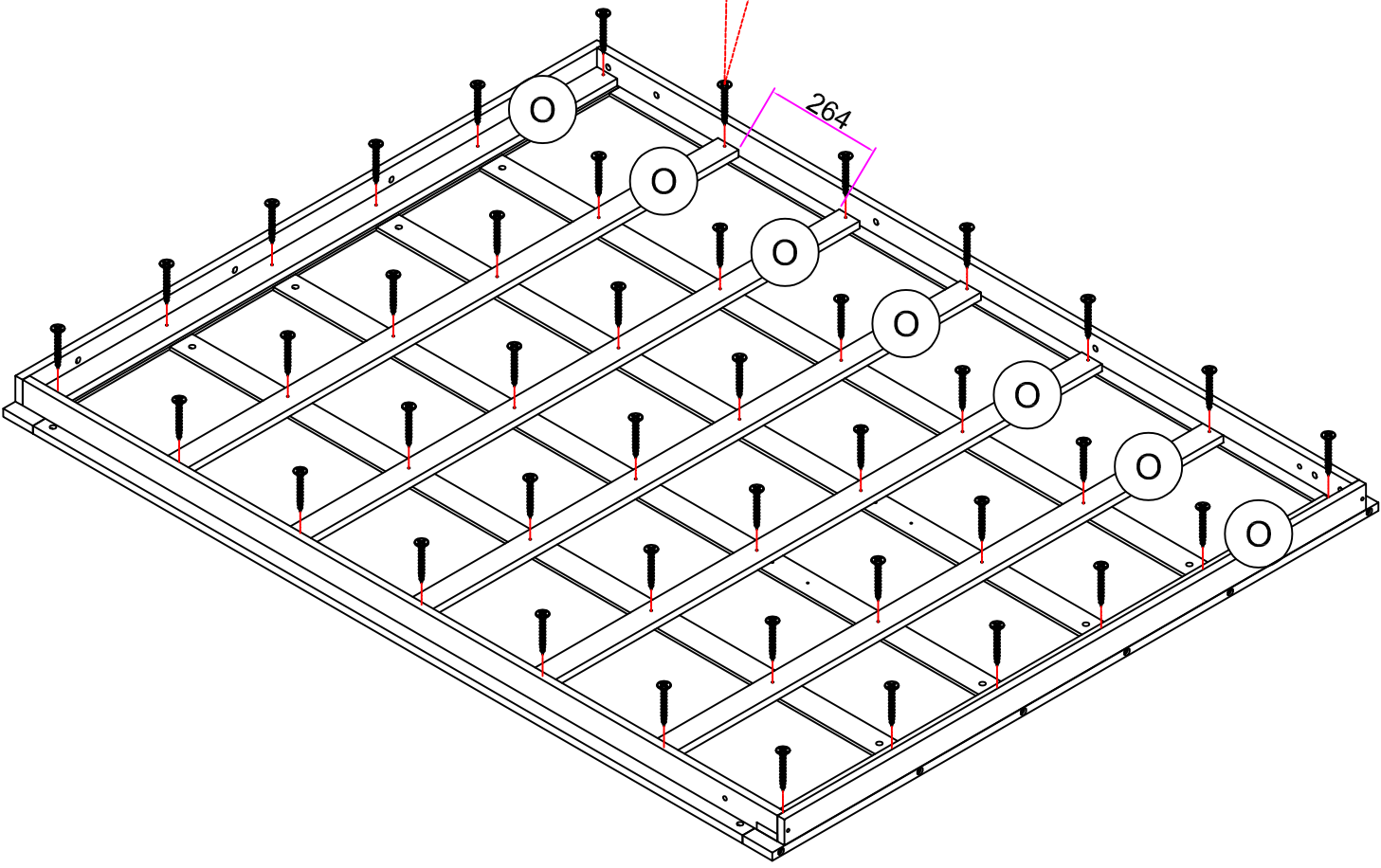
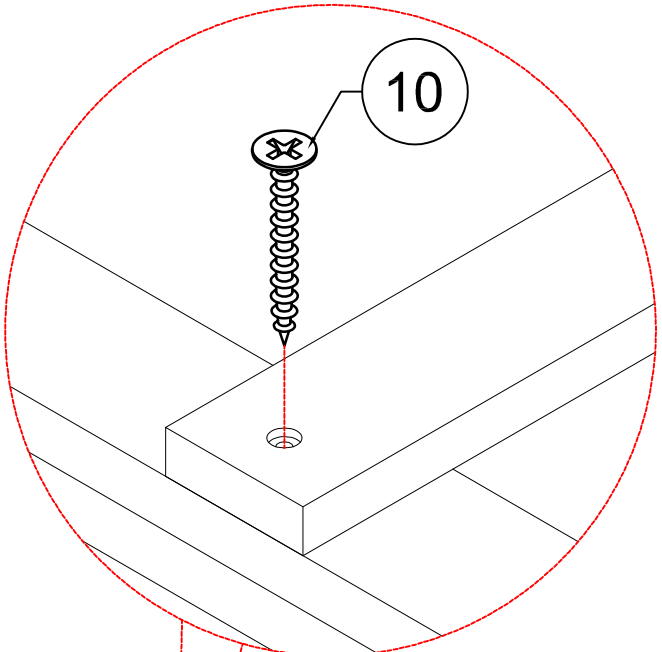
STEP 12: Following below illustration:

3	2
	
16pcs	16pcs


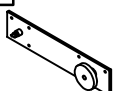



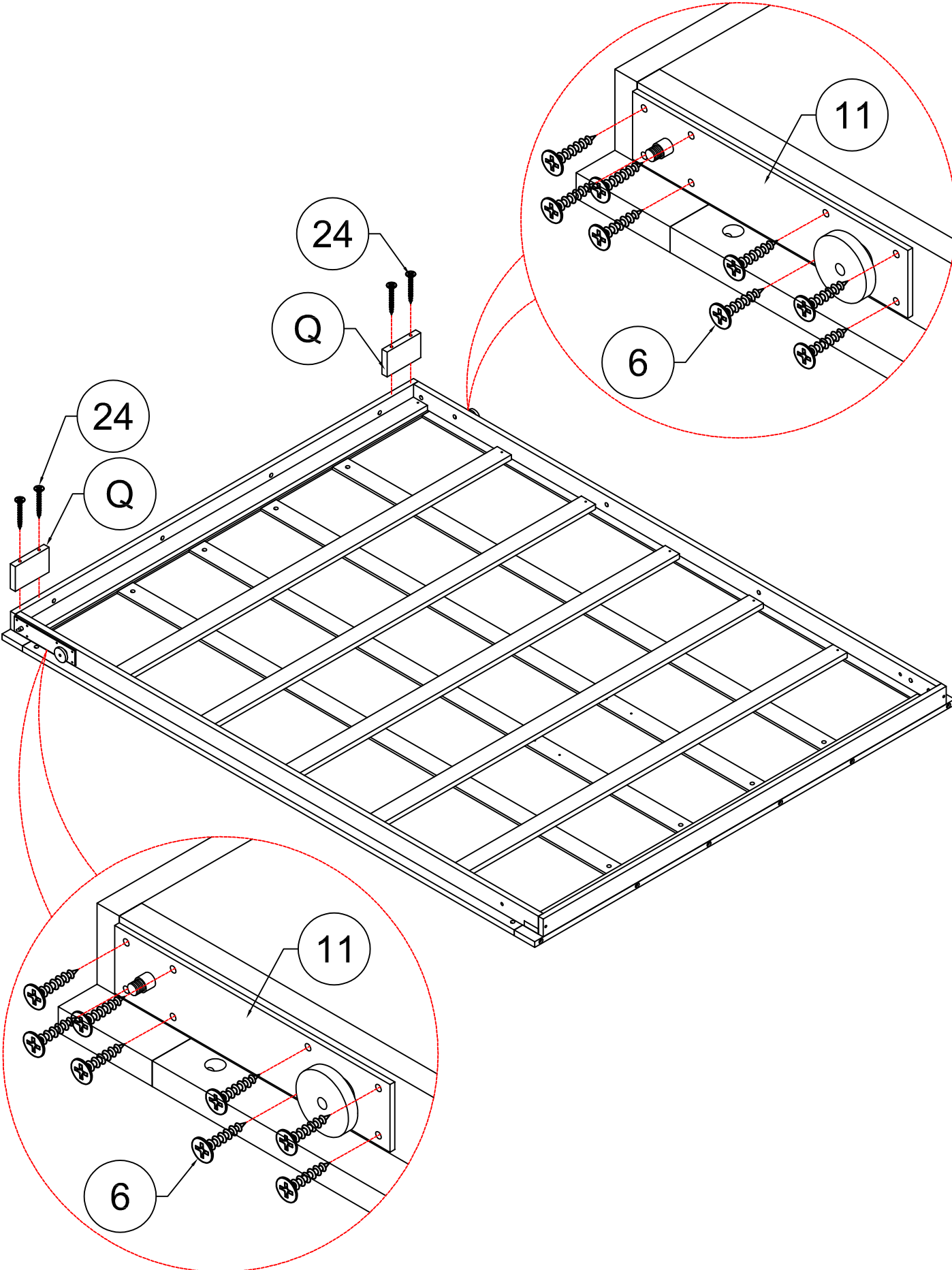
STEP 13: Following below illustration:

10	
42pcs	



STEP 14: Following below illustration:

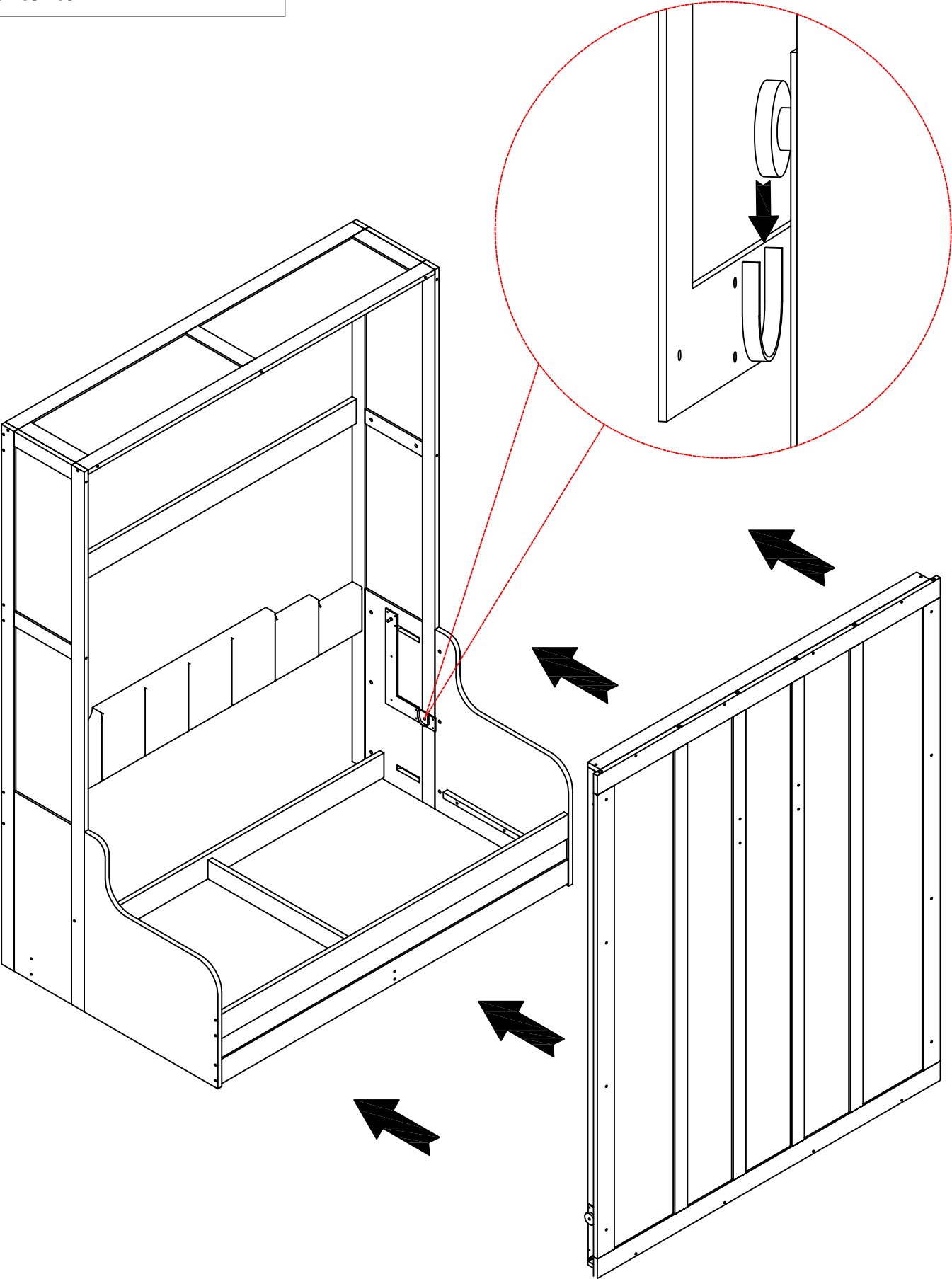
6		11		24	
16pcs		2pcs		4pcs	



STEP 15: Following below illustration:





Four people are required to assemble and move this model.

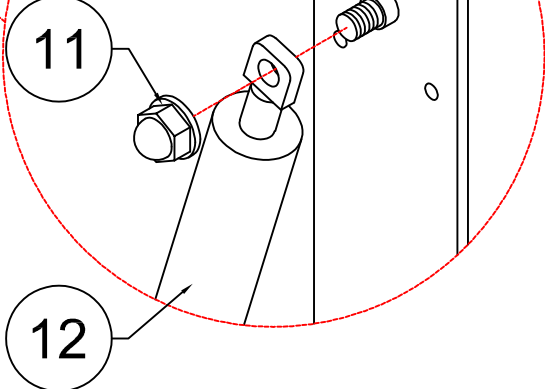
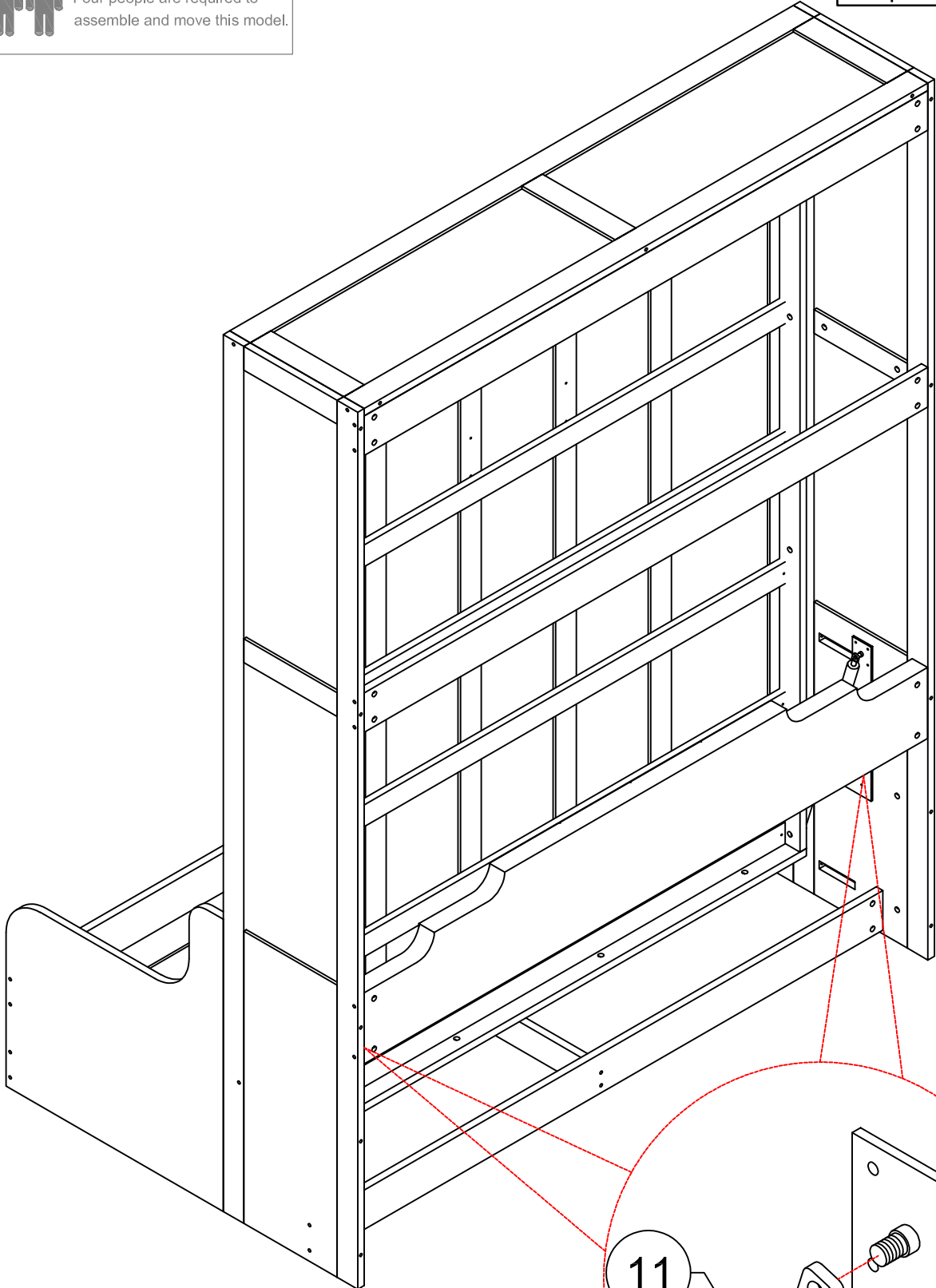


STEP 16: Following below illustration:

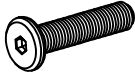
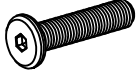



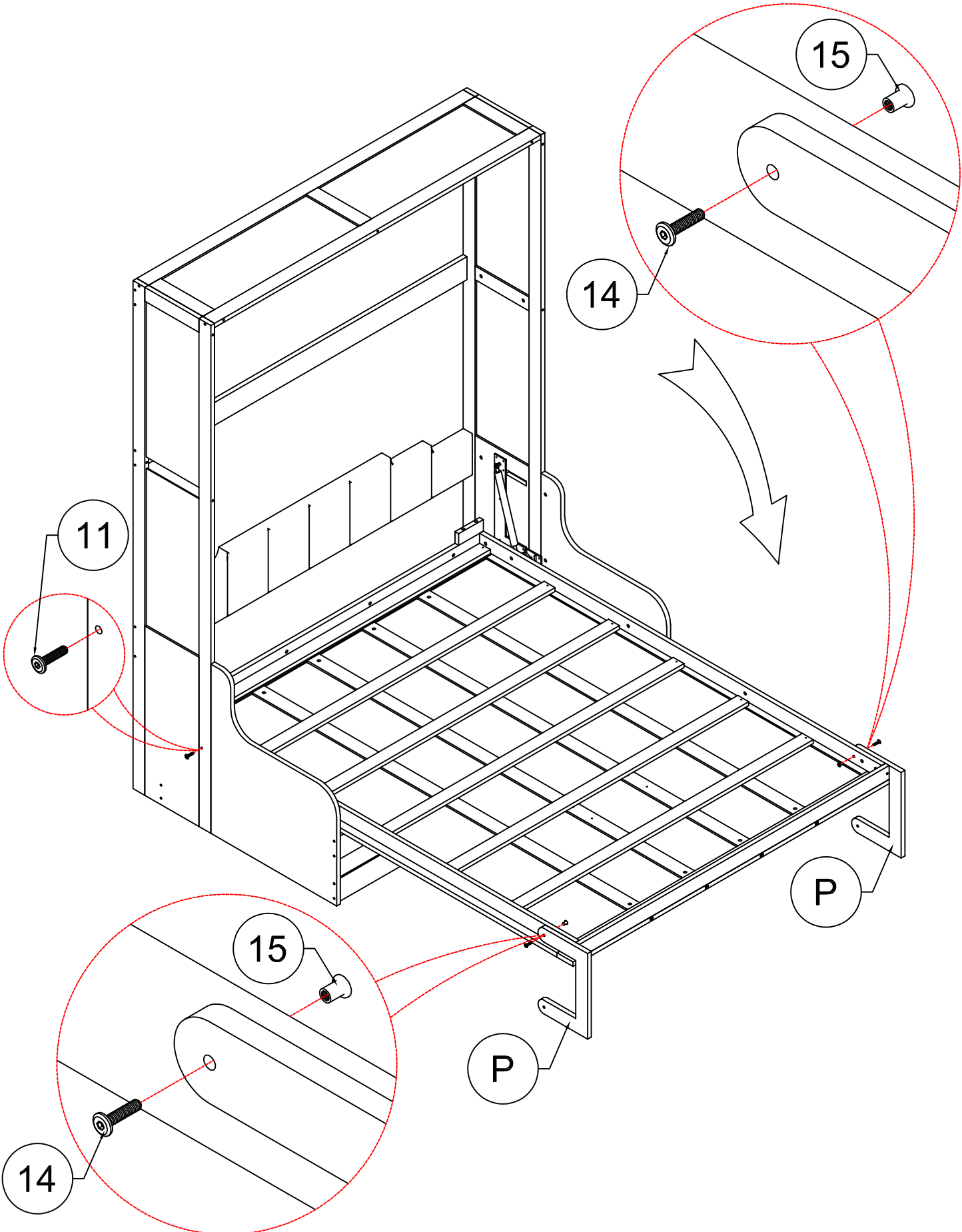
Four people are required to assemble and move this model.

12		11	
	2pcs		4pcs






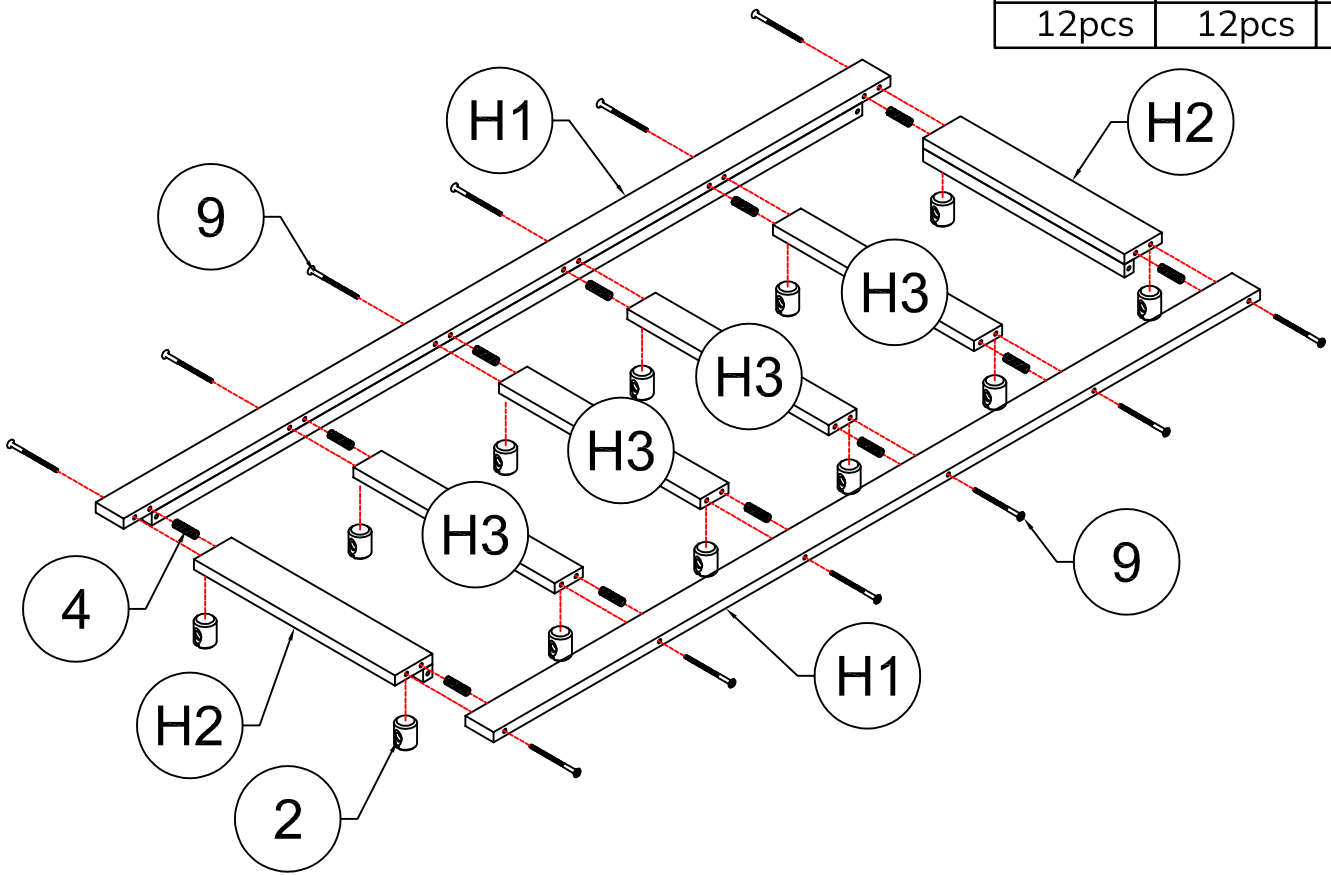
STEP 17: Following below illustration:

11	14	15
		
2pcs	2pcs	2pcs


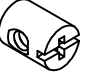


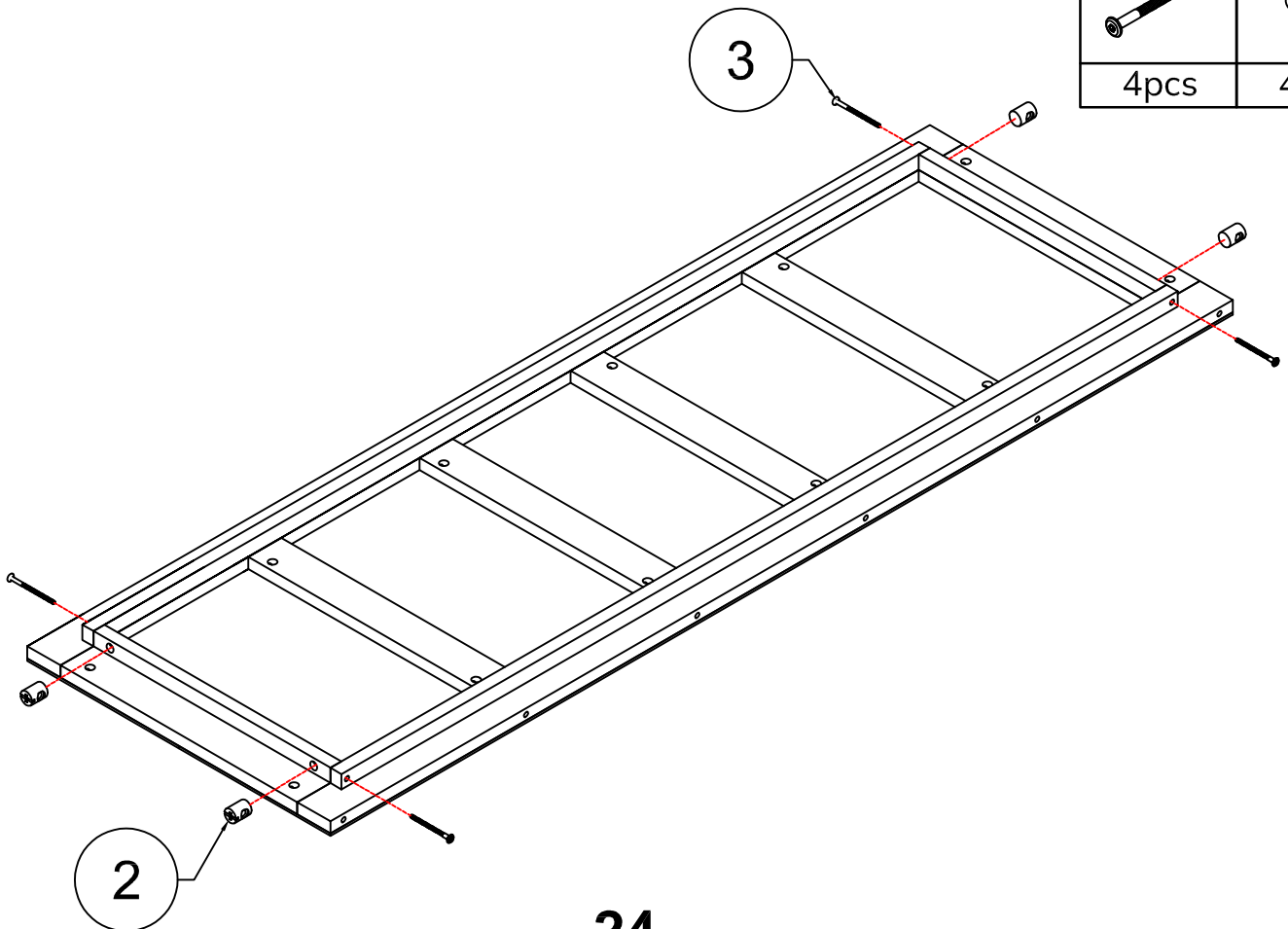
STEP 18: Following below illustration:

9	2	4
		
12pcs	12pcs	12pcs


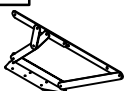
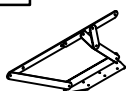


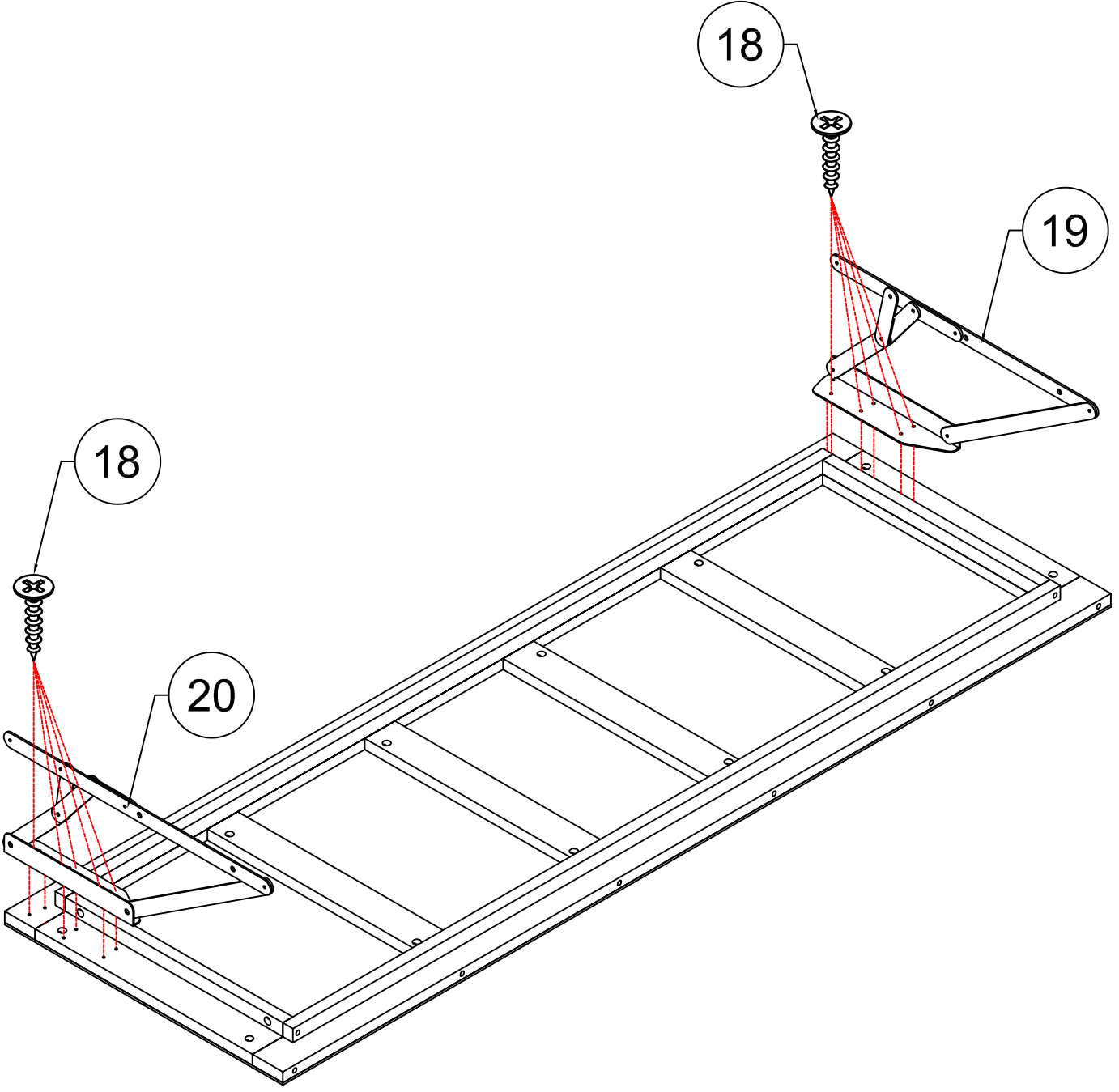
STEP 19: Following below illustration:

3	2
	
4pcs	4pcs

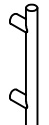
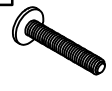
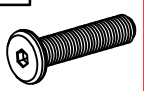


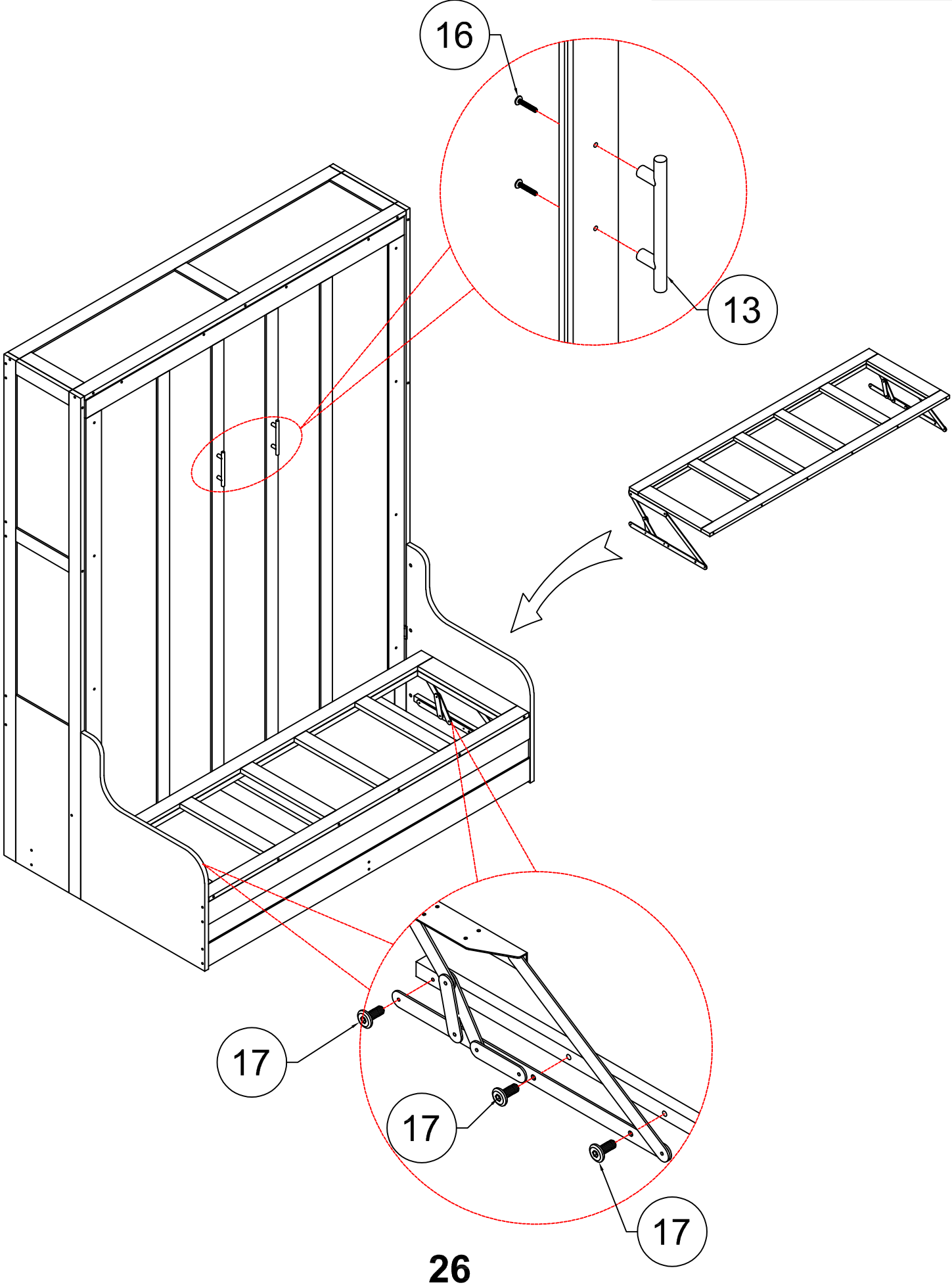
STEP 20: Following below illustration:

18		19		20	
	12pcs		1pcs		1pcs





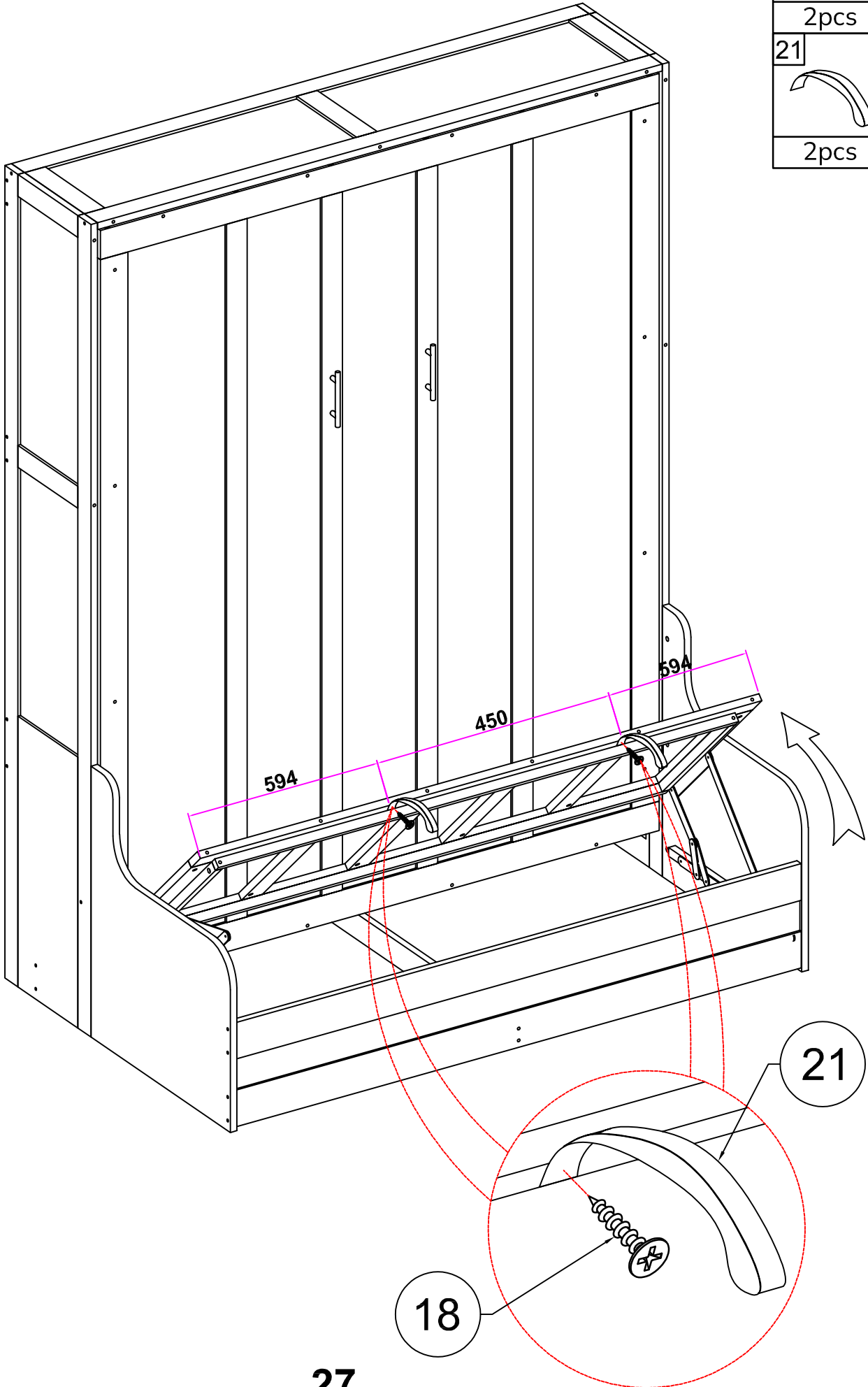
STEP 21: Following below illustration:

13		16		17	
2pcs		4pcs		6pcs	




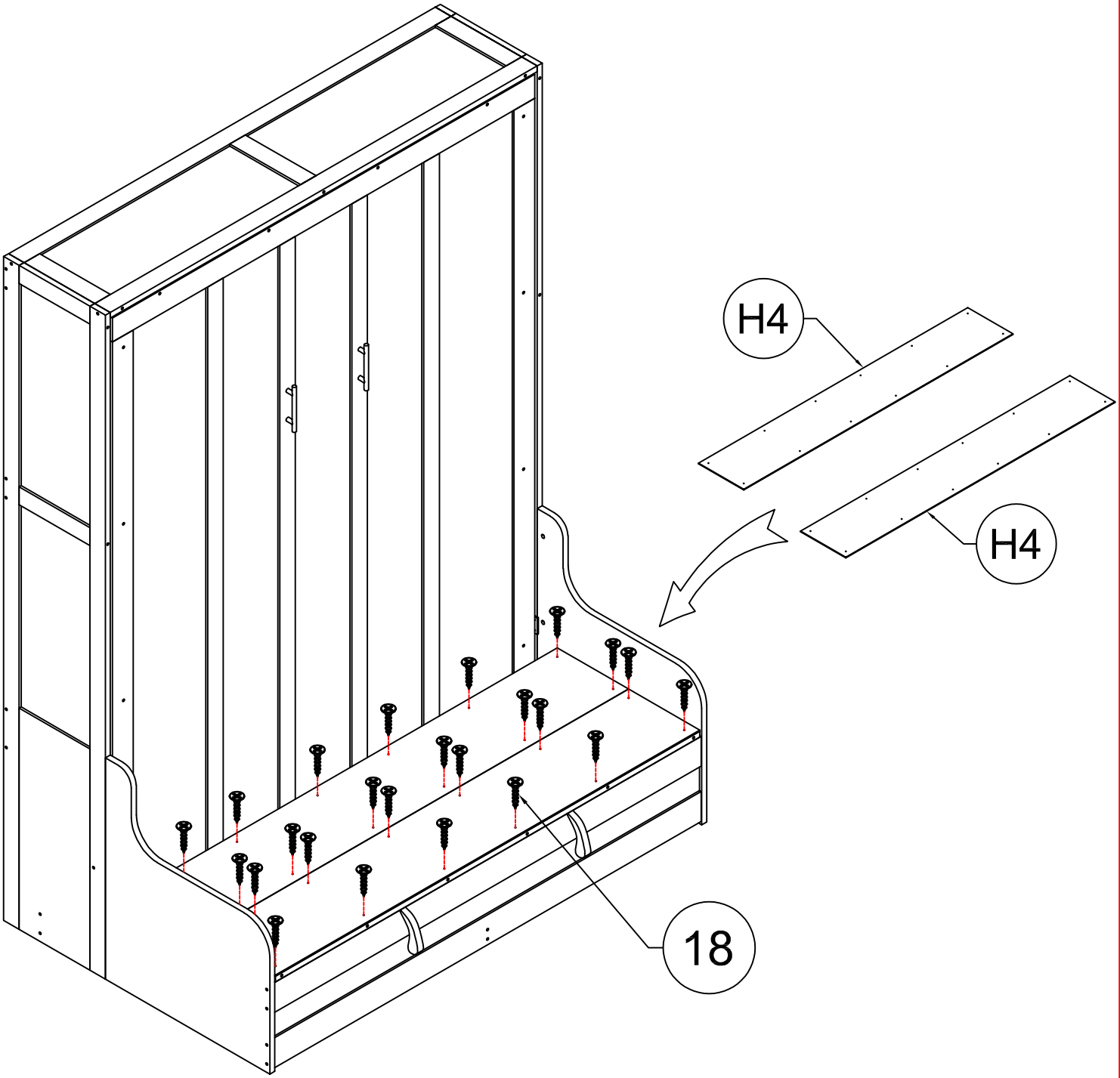
STEP 22: Following below illustration:

- 18  2pcs
- 21  2pcs

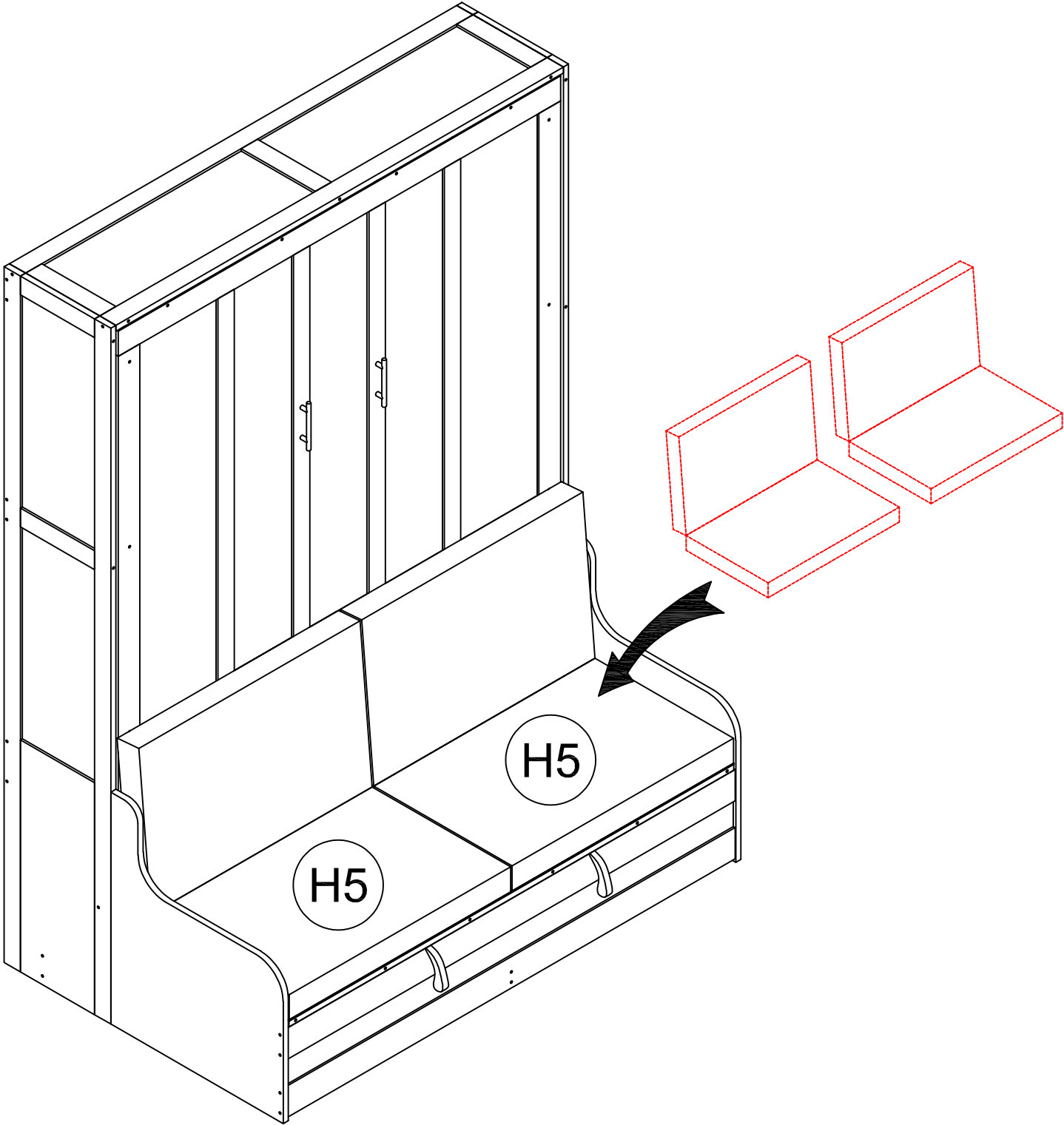


STEP 23: Following below illustration:

18	
24pcs	



STEP 24: Following below illustration:



STEP 25: Following below illustration:

23-2



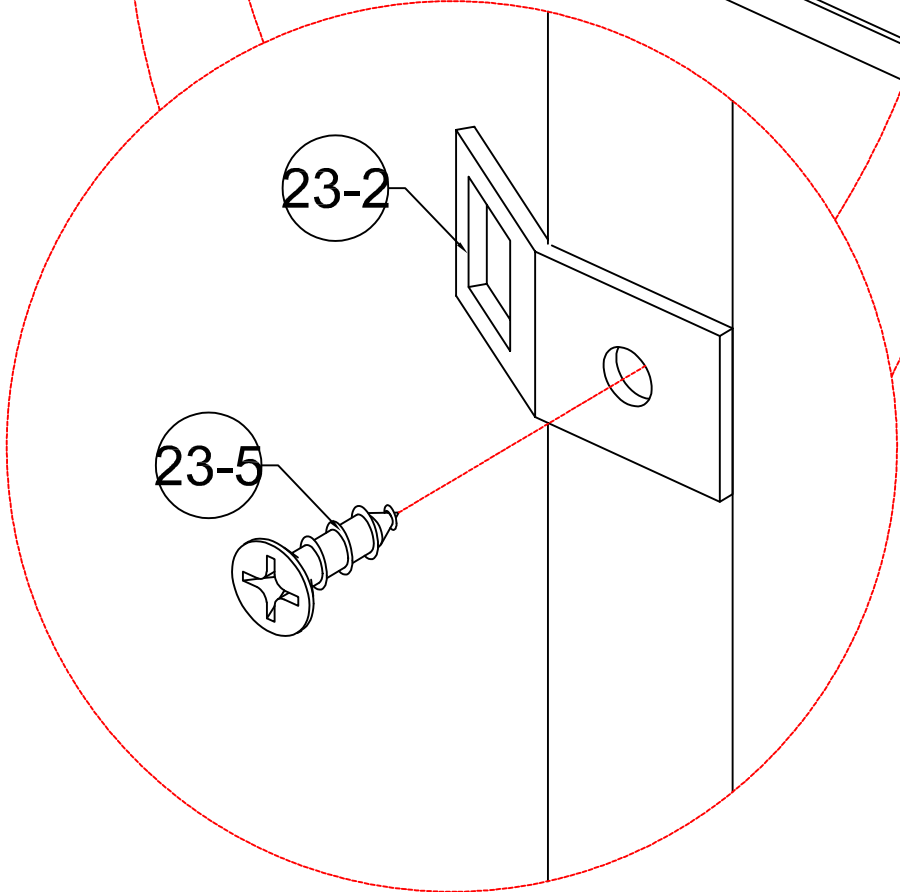
2pcs

23-5

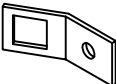




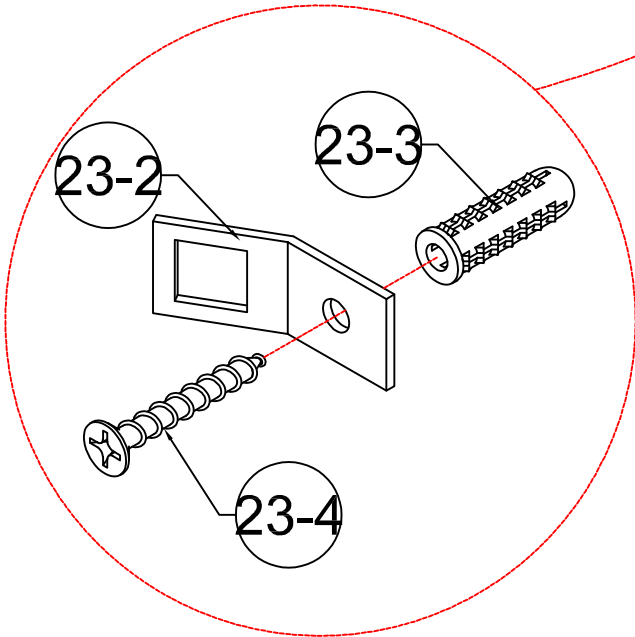
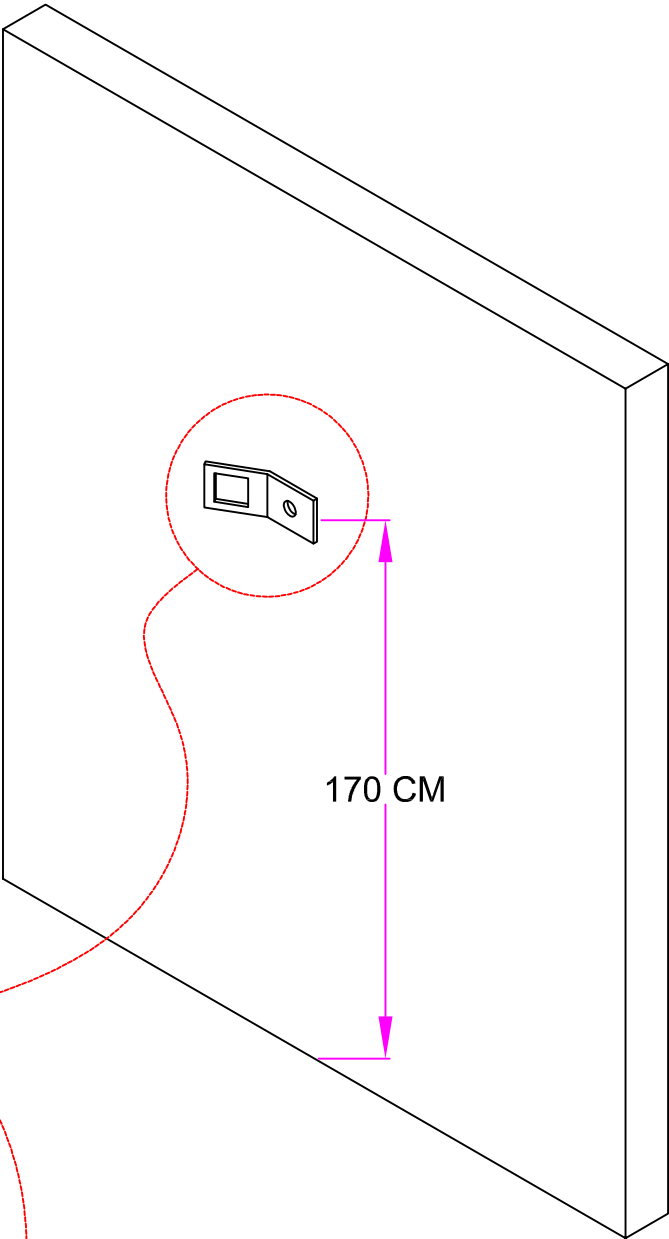
2pcs

170 CM



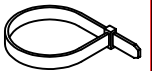
STEP 26: Following below illustration:

23-2	23-3	23-4
		
2pcs	2pcs	2pcs

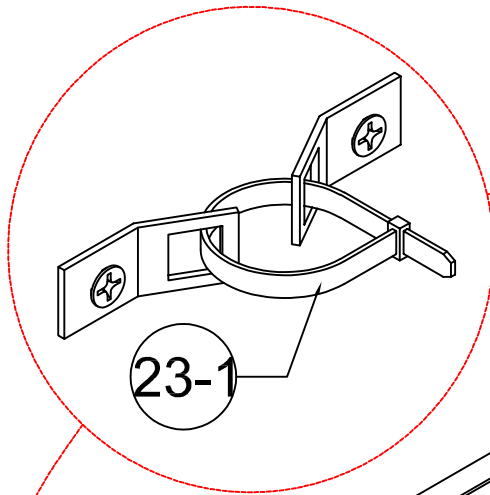


STEP 27: Following below illustration:

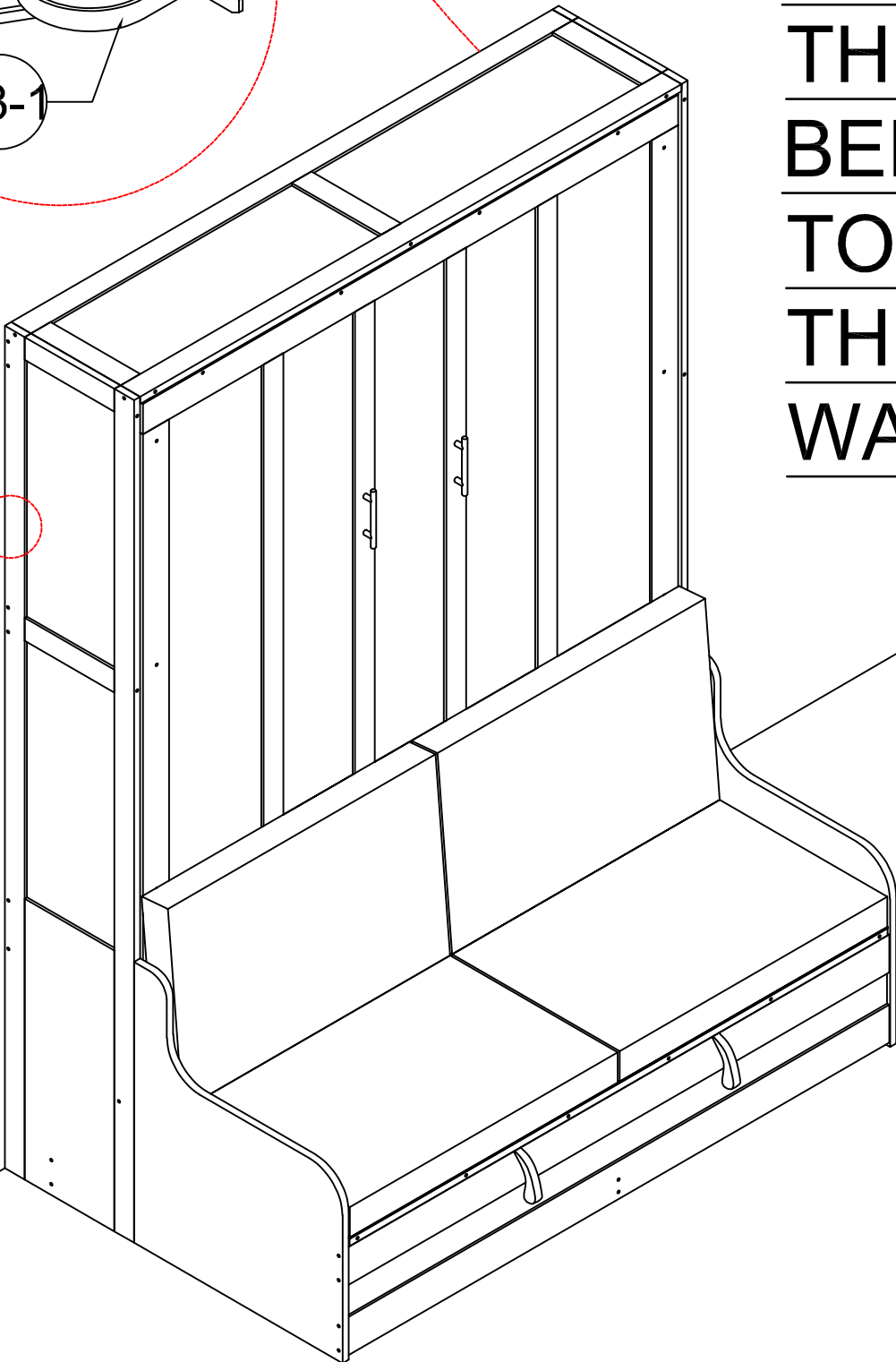
23-1



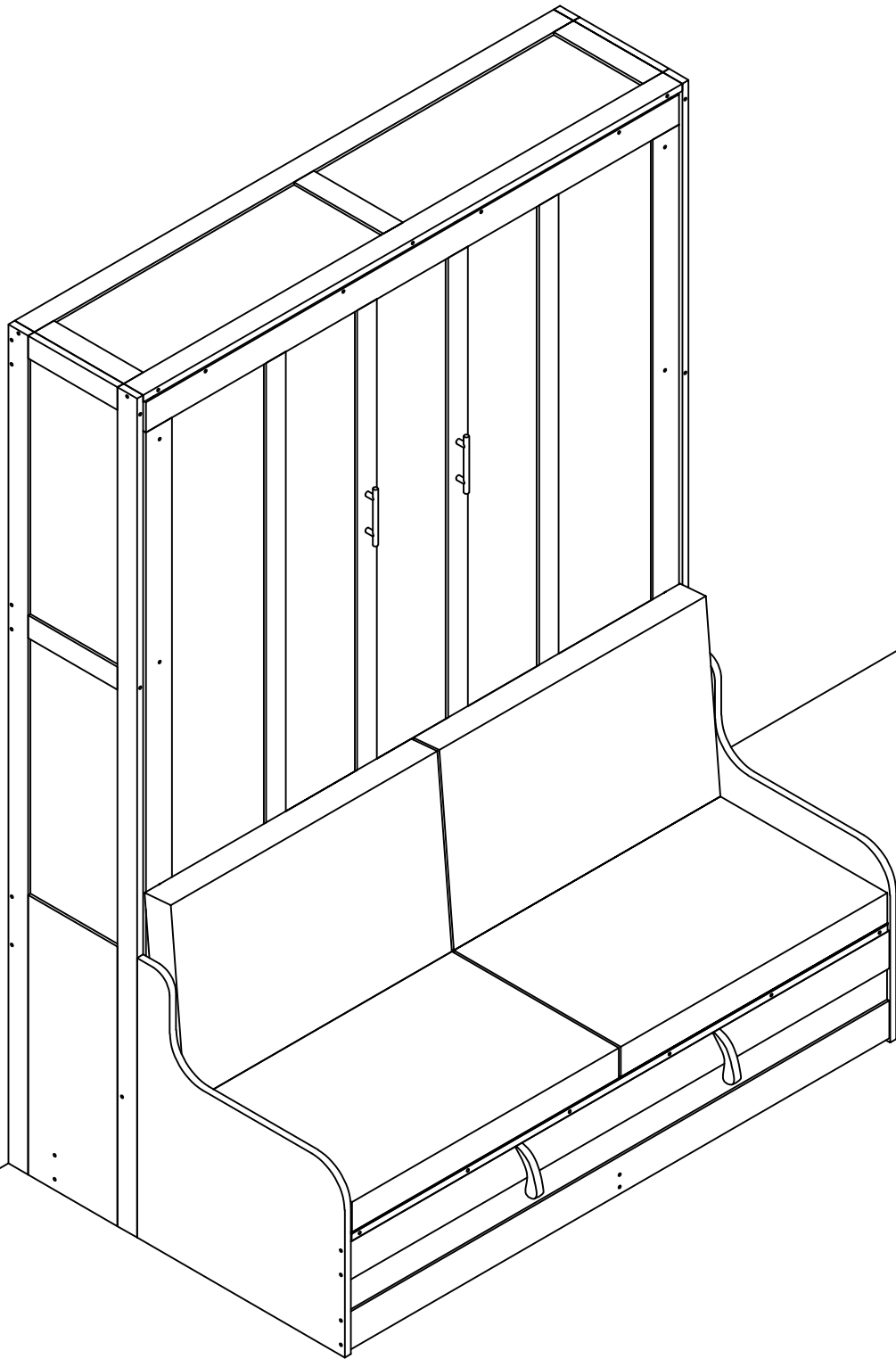
2pcs



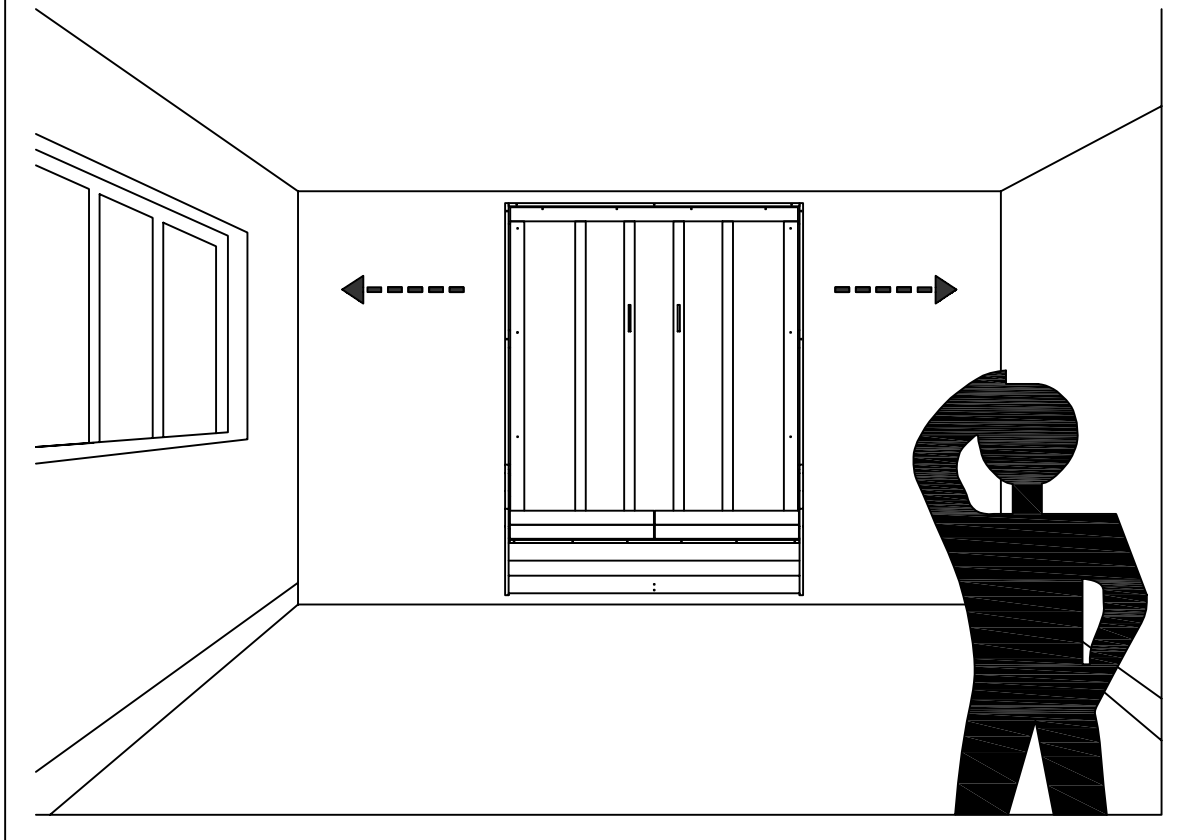
MOVE
THE
BED
TO
THE
WALL



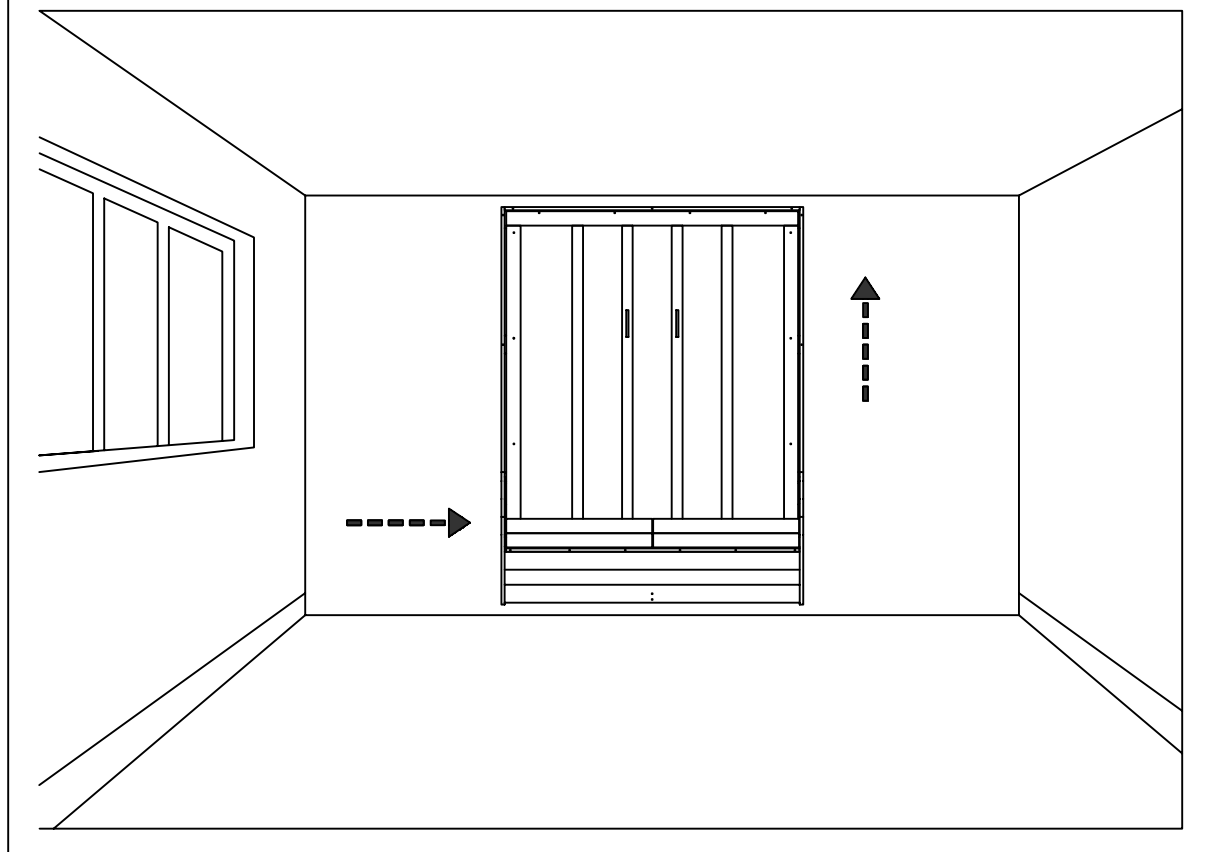
FINISH



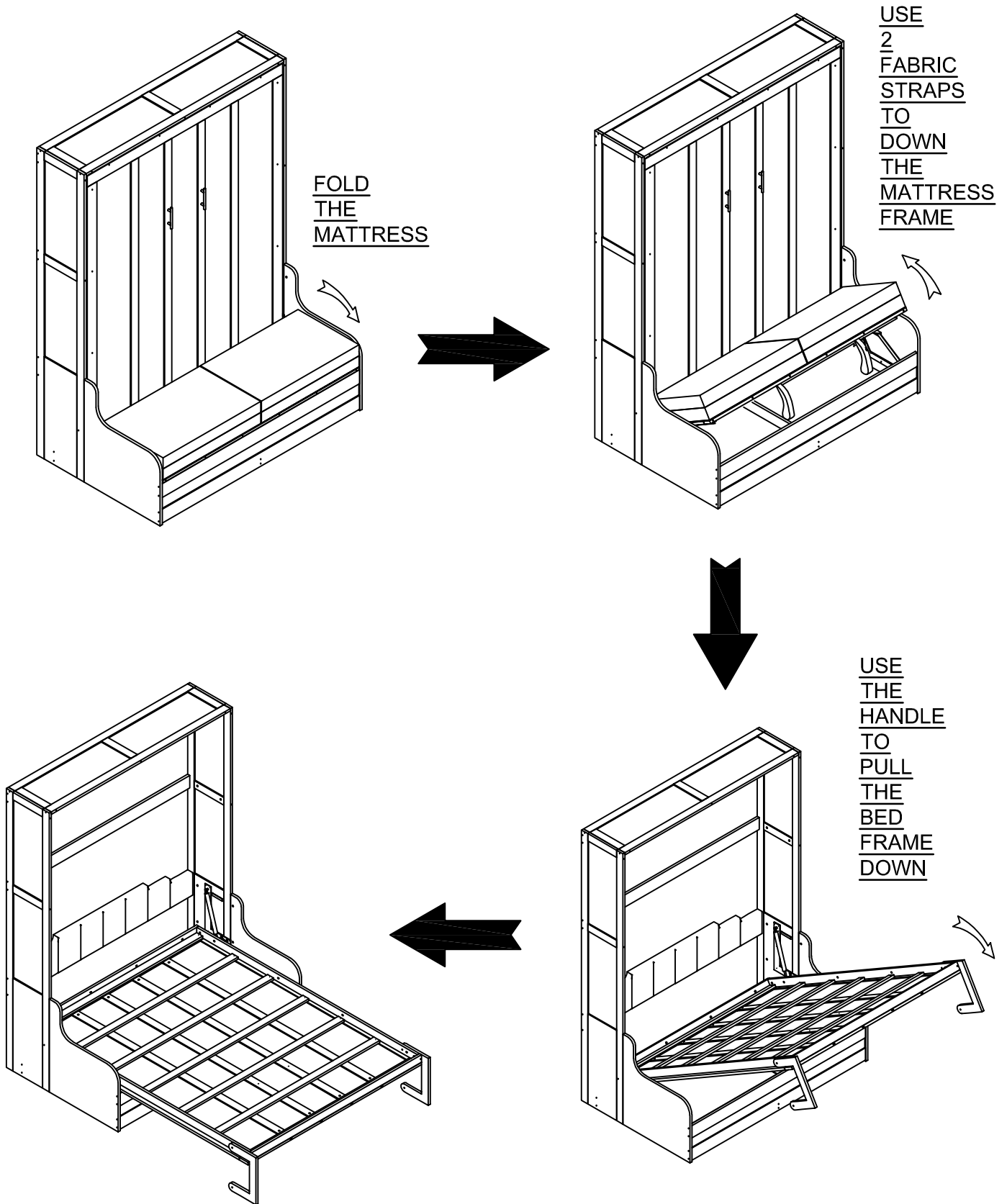
1- Determine the position of the bed in the room.



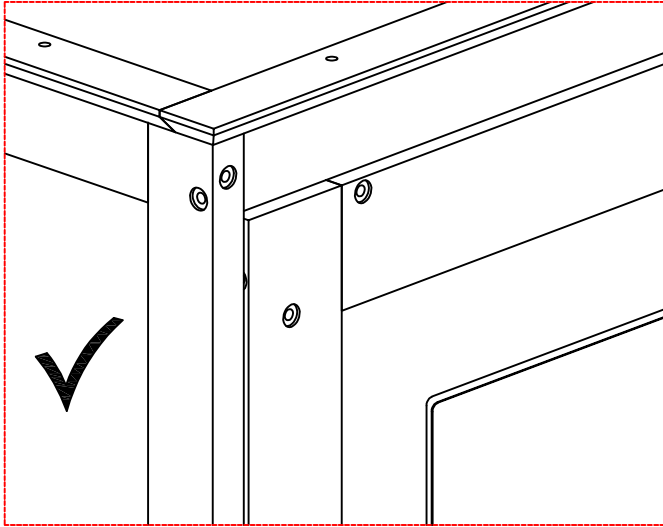
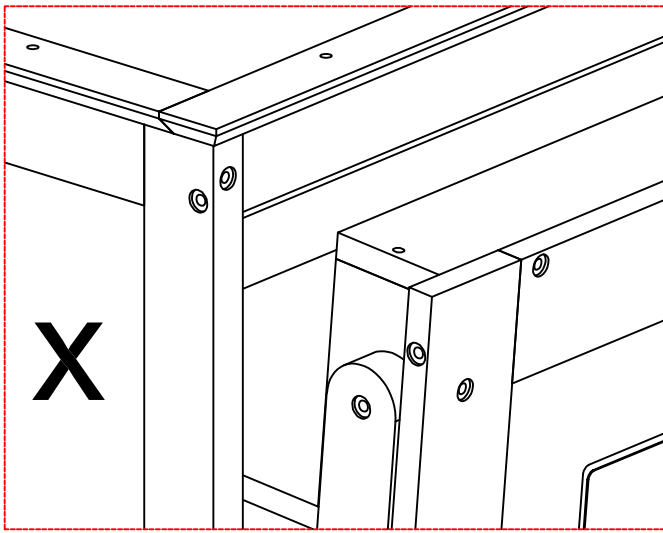
2- Put the bed back in its place. Please keep it vertical and horizontal.



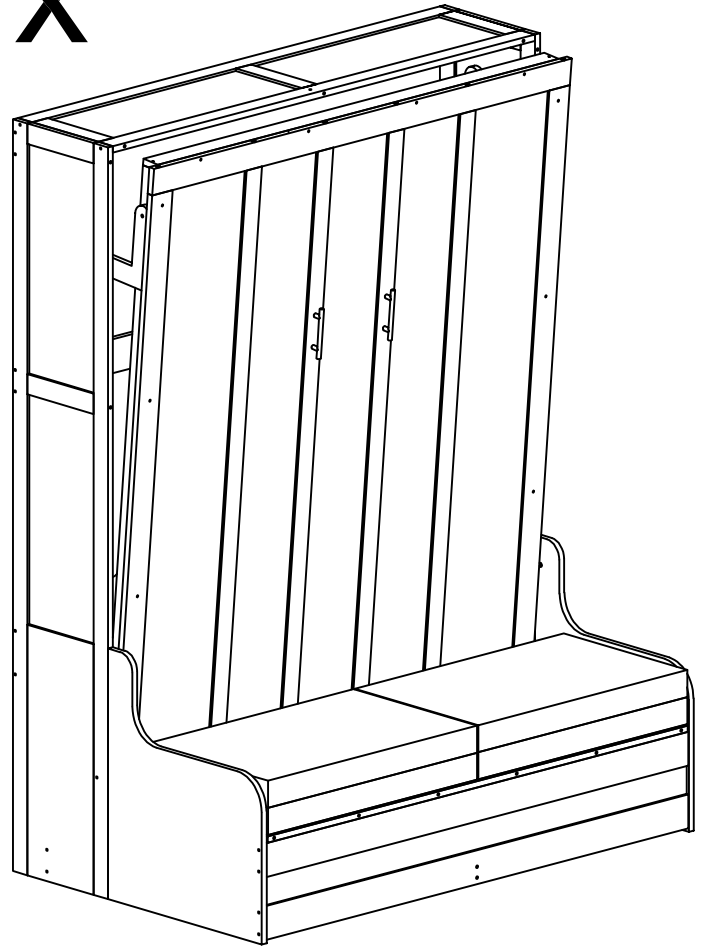
CHANGE THE MODEL TO A BED



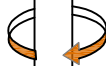
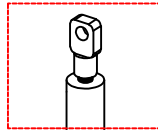
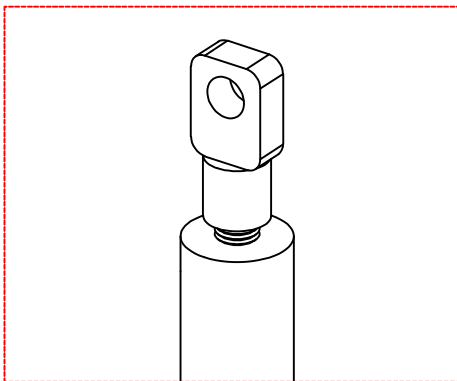
DO THE REVERSE WHEN YOU WANT TO CHANGE INTO A SOFA



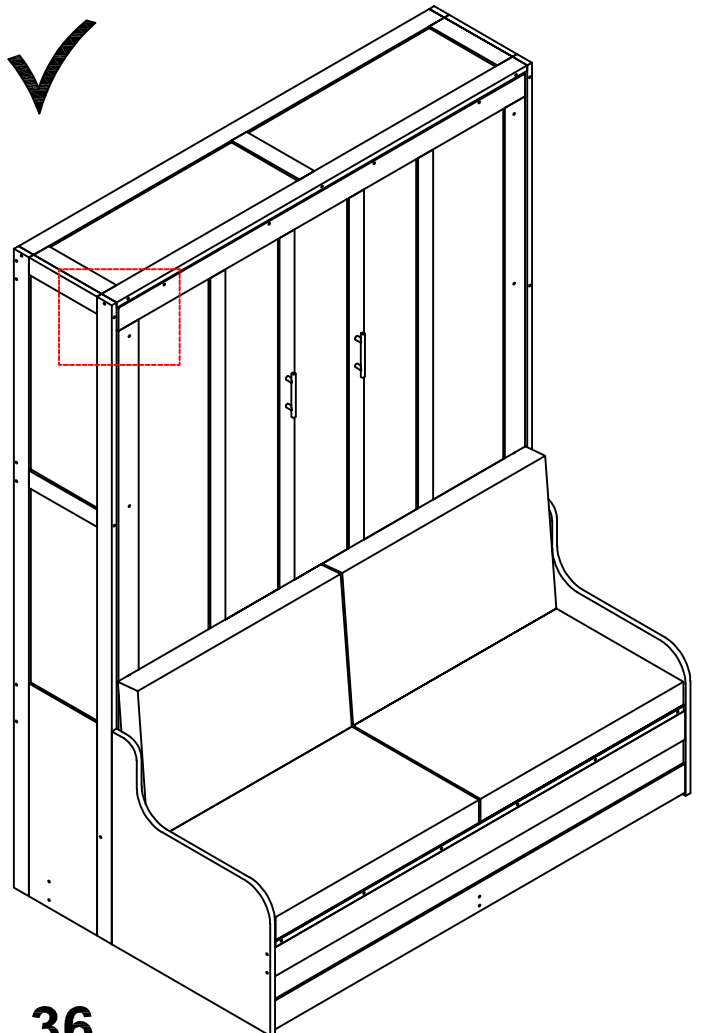
X



- ADJUSTABLE ACCESSORIES. PLEASE FOLLOW THE INSTRUCTIONS SO THAT THE DETAILS CAN BE IN THE CORRECT POSITION AS DESIRED

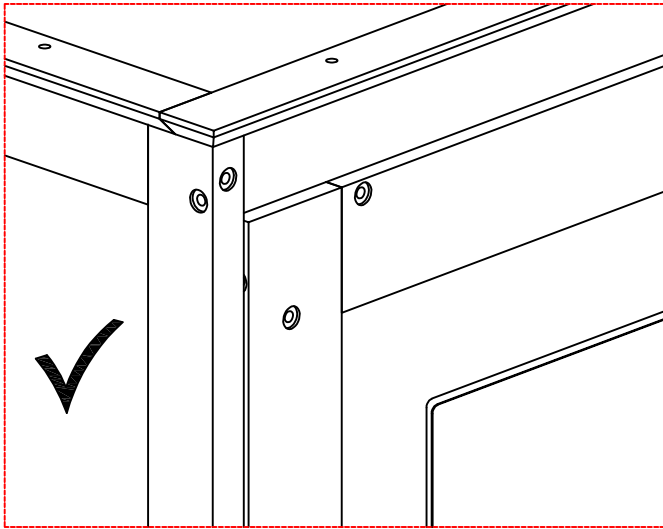
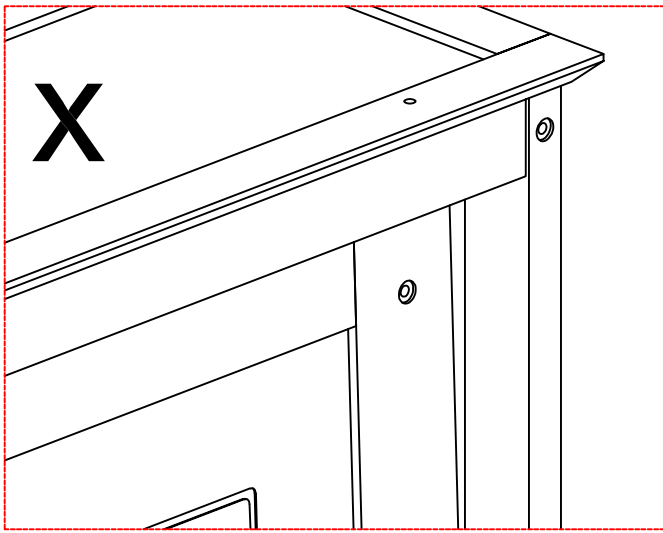


✓

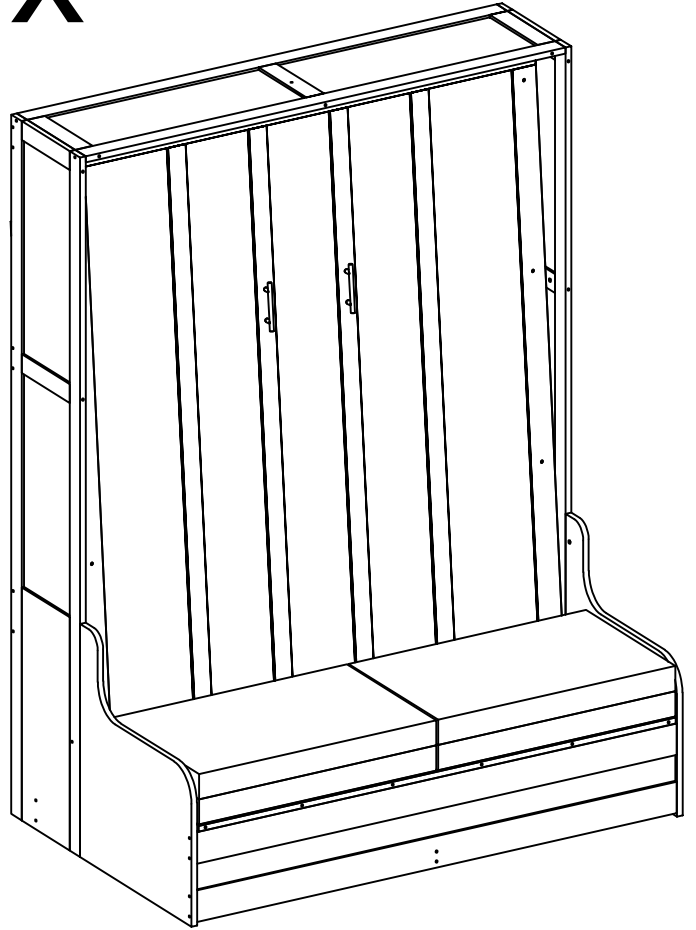


NOTED

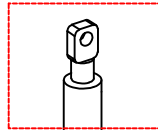
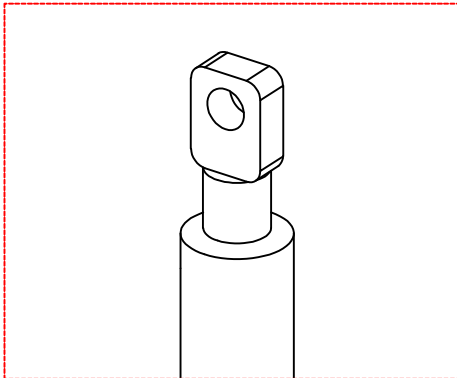
36



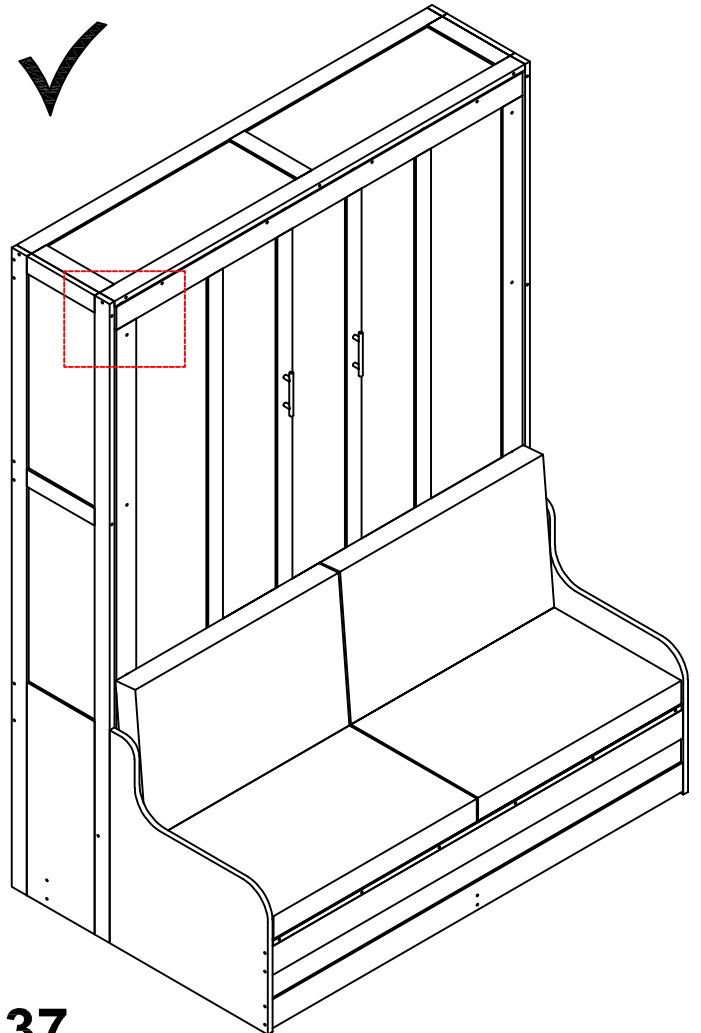
X



- ADJUSTABLE ACCESSORIES. PLEASE FOLLOW THE INSTRUCTIONS SO THAT THE DETAILS CAN BE IN THE CORRECT POSITION AS DESIRED



✓



NOTED