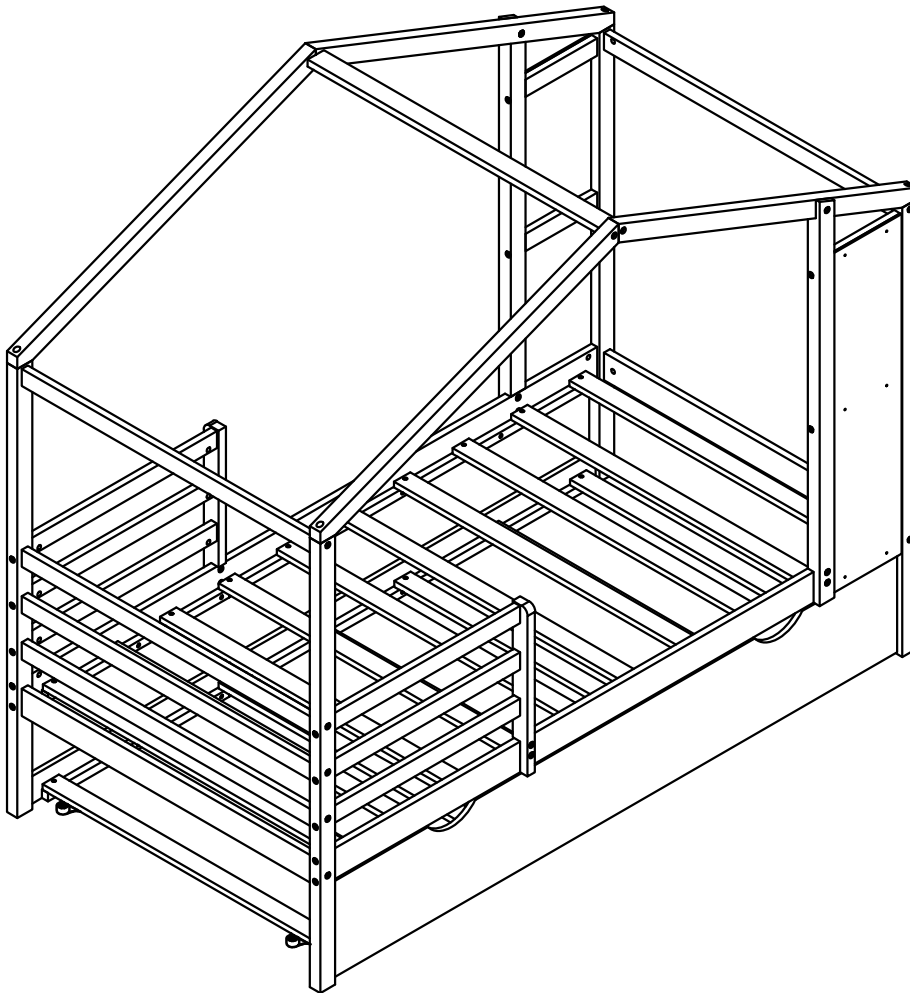


# ASSEMBLY INSTRUCTIONS

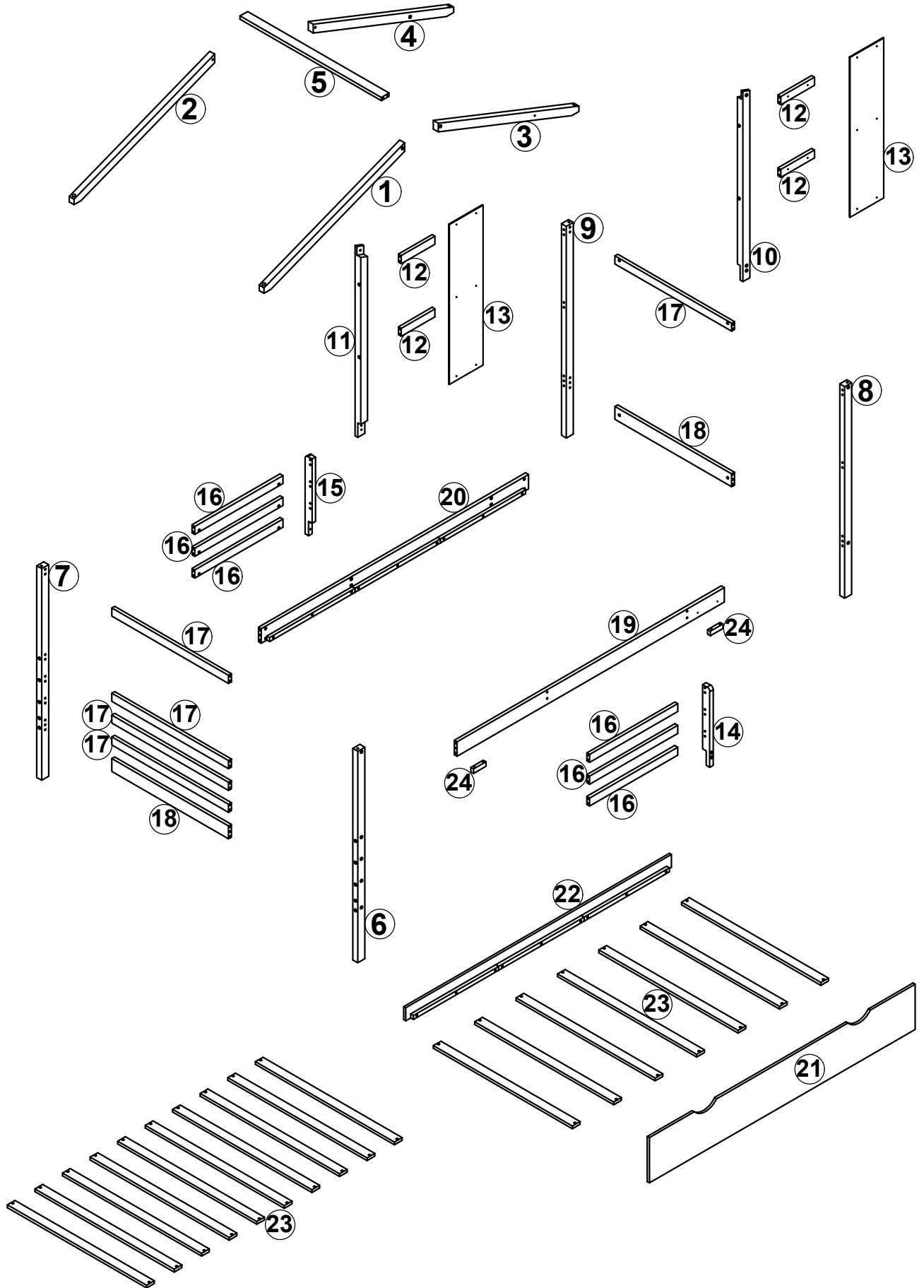
WF315903/04

Twin size House bed with 2 wings and Trundle Box





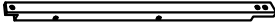
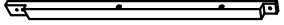
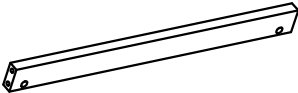




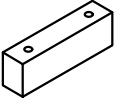


# Detail View

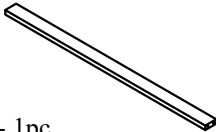
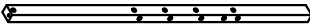
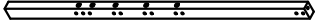
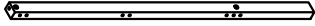
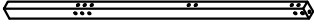
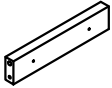

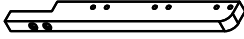
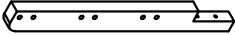
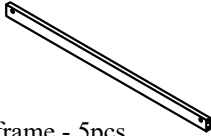
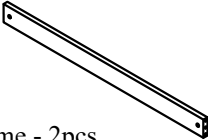

WARNING: Keep small components out of the reach of children



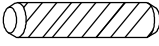








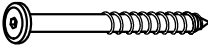
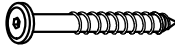



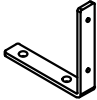
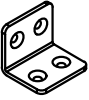


## Part List box 1(WF315903)

<p><b>1</b></p>  <p>Front left roof cross bar - 1pc</p>	<p><b>2</b></p>  <p>Back left roof cross bar - 1pc</p>	<p><b>3</b></p>  <p>Front right roof cross bar - 1pc</p>
<p><b>4</b></p>  <p>Back right roof cross bar - 1pc</p>	<p><b>10</b></p>  <p>Vertical front frame - 1pc</p>	<p><b>11</b></p>  <p>Vertical back frame - 1pc</p>
<p><b>16</b></p>  <p>Horizontal balustrade - 6pcs</p>	<p><b>19</b></p>  <p>Front siderail - 1pc</p>	<p><b>20</b></p>  <p>Back siderail - 1pc</p>
<p><b>21</b></p>  <p>Front trundle panel - 1pc</p>	<p><b>22</b></p>  <p>Back trundle frame - 1pc</p>	<p><b>24</b></p>  <p>Trundle stop block - 2pc</p>

## Part List box 2 (WF315904) + Hardware list

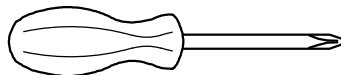
<p><b>5</b></p>  <p>Roof bar - 1pc</p>	<p><b>6</b></p>  <p>Front left leg - 1pc</p>	<p><b>7</b></p>  <p>Back left leg - 1pc</p>
<p><b>8</b></p>  <p>Front right leg - 1pc</p>	<p><b>9</b></p>  <p>Back right leg - 1pc</p>	<p><b>12</b></p>  <p>Horizontal front &amp; back frame - 4pcs</p>
<p><b>13</b></p>  <p>Front &amp; back panel - 2pcs</p>	<p><b>14</b></p>  <p>Front vertical balustrade - 1pc</p>	<p><b>15</b></p>  <p>Back vertical balustrade - 1pc</p>
<p><b>17</b></p>  <p>Upper side frame - 5pcs</p>	<p><b>18</b></p>  <p>Lower side frame - 2pcs</p>	<p><b>23</b></p>  <p>Slats trundle/bed - 17pcs</p>

# Hardware List (WF315904)

<b>A</b>  8 X 8 X 30mm. Wooden dowel (42pcs)	<b>B</b>  Ø1/4" x 85mm Hex-head bolt (14pcs)	<b>C</b>  Ø1/4" x 70mm Hex-head bolt (14pcs)
<b>D</b>  Ø1/4" x 60mm Hex-head bolt (6pcs)	<b>E</b>  Ø1/4" x 40mm Hex-head bolt (8pcs)	<b>F</b>  Ø1/4" x 35mm Hex-head bolt (2pcs)
<b>G</b>  Ø1/4" x 30mm Hex-head bolt (4pcs)	<b>H</b>  Ø1/4" x 15mm Sleever nuts (10pcs)	<b>I</b>  Ø1/4" Horizontal-hole bolt (34pcs)
<b>J</b>  Ø6 x 90mm Hex-Head screw (8pcs)	<b>K</b>  Ø6 x 70mm Hex-Head screw (4pcs)	<b>M</b>  #4 x 25mm Screw (34pcs)
<b>N</b>  #3.5 x 15mm Screw (36pcs)	<b>O</b>  24x35x45mm Sliding Wheel (4pcs)	<b>P</b>  4x18x95x95mm L big bracket (2pcs)
<b>Q</b>  2x25x25x30mm L small bracket (2pcs)	<b>R</b>  K4mm Allen key (1pc)	<b>S</b>  #4 x 35mm Screw (4pcs)

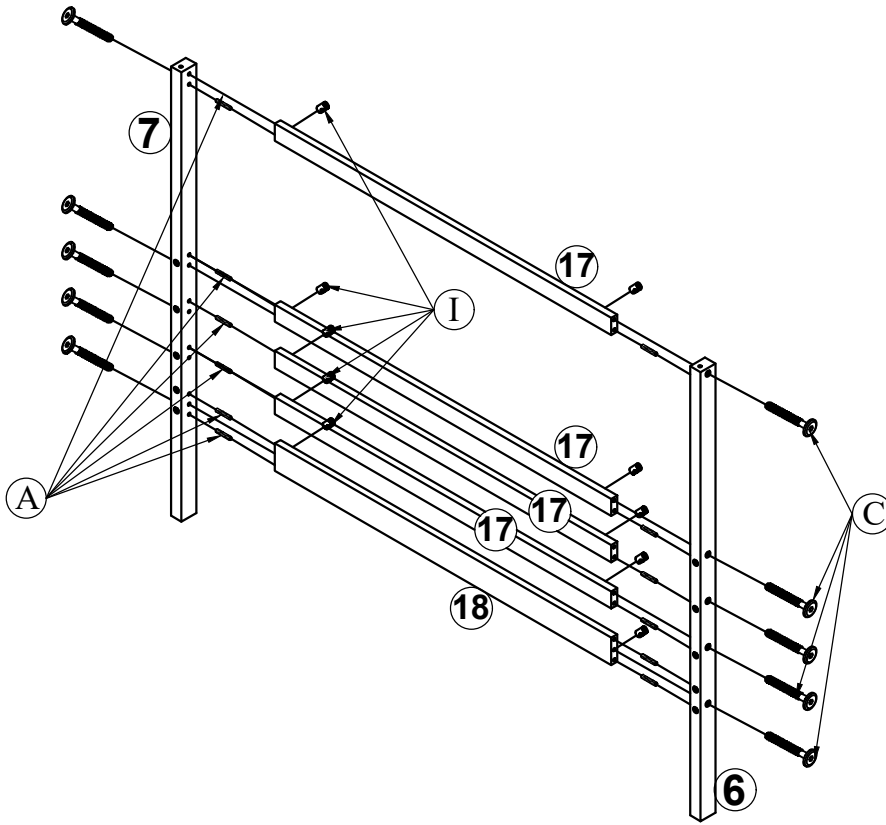
Please sort out all parts before you begin to assembly the item. This is to make sure you always use the correct part.

ASSEMBLY TOOLS REQUIRED ( NOT INCLUDED )



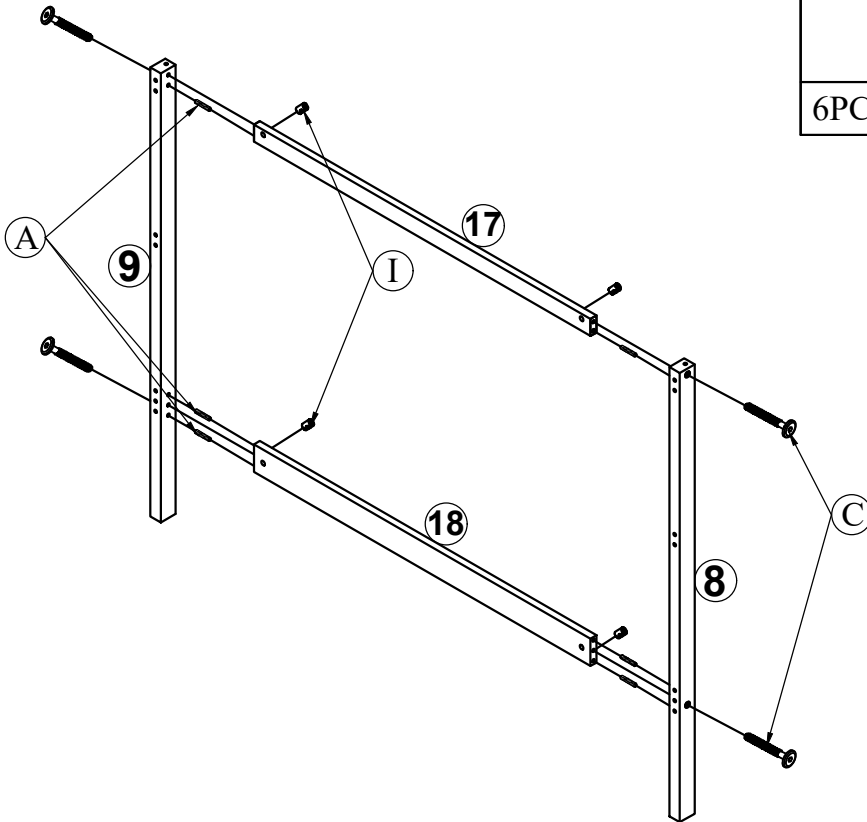
PLEASE BE CAREFUL DO NOT DAMAGE THE HOLE  
POSITION WHEN YOU USE POWER TOOLS !

**STEP 1**



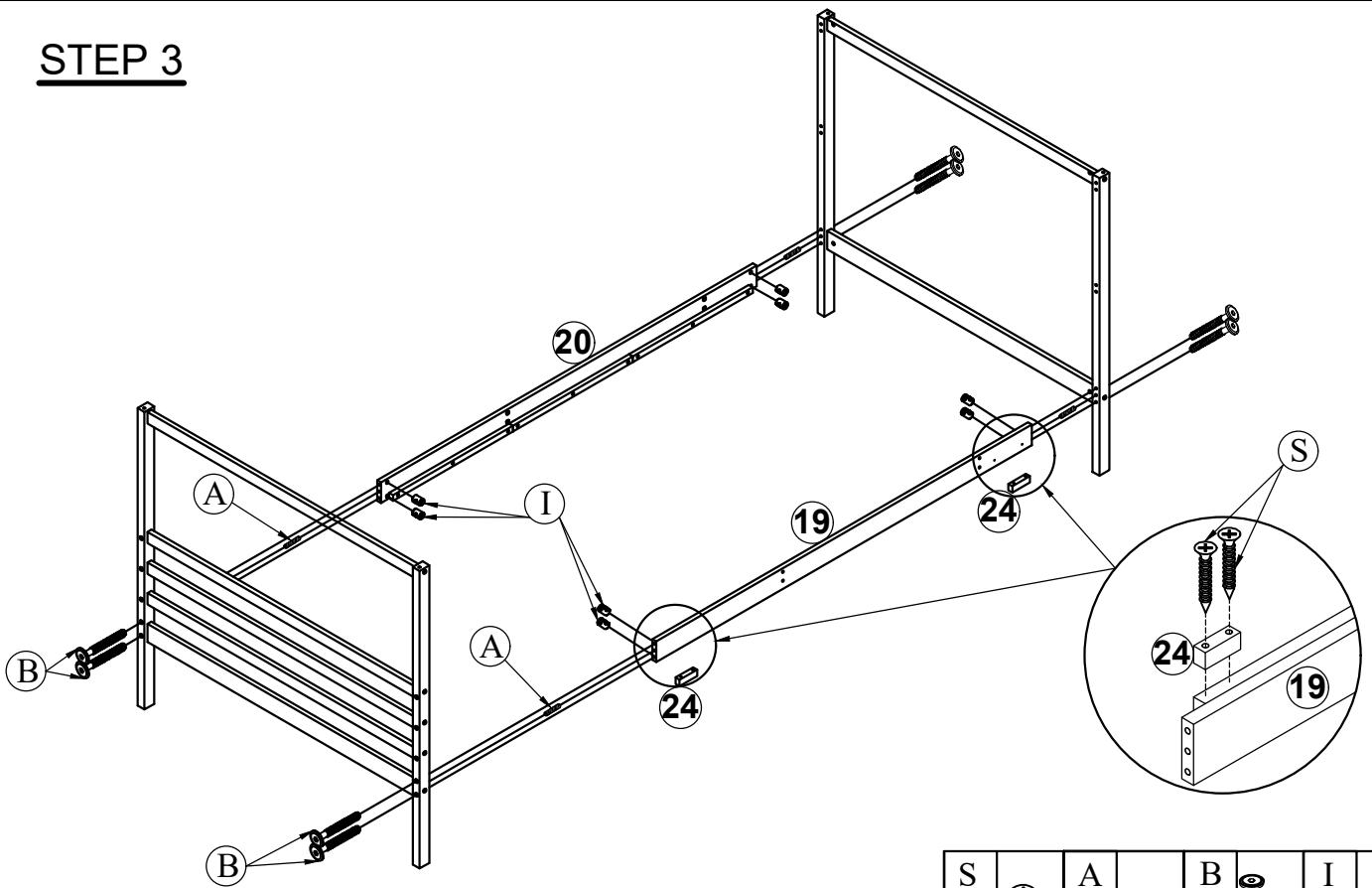
A	C	I
12PCS	10PCS	10PCS





**STEP 2**



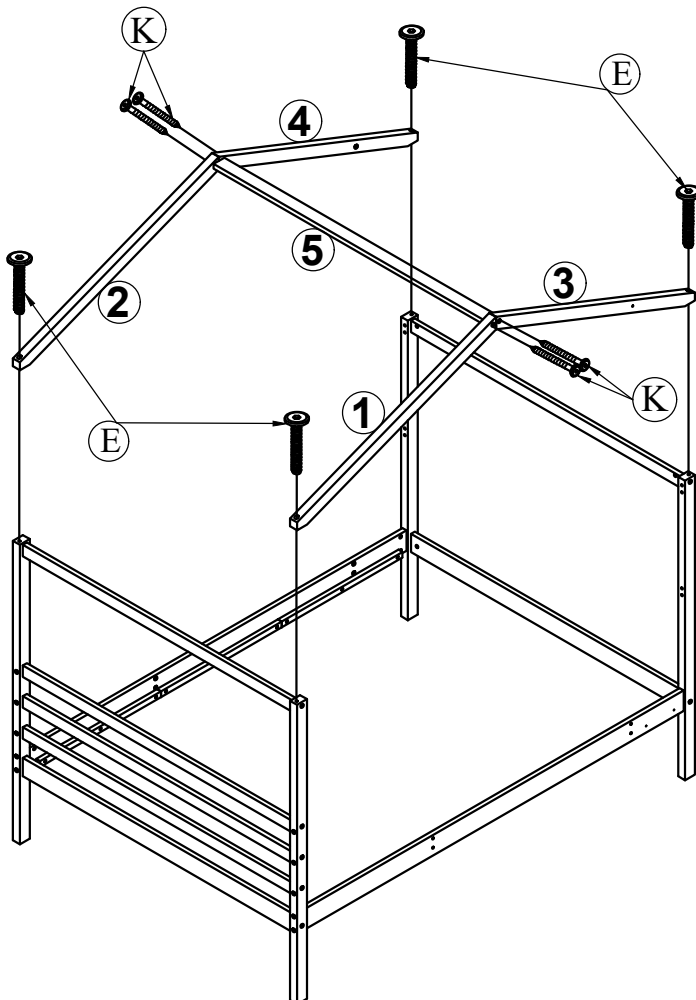
A	C	I
6PCS	4PCS	4PCS



### STEP 3



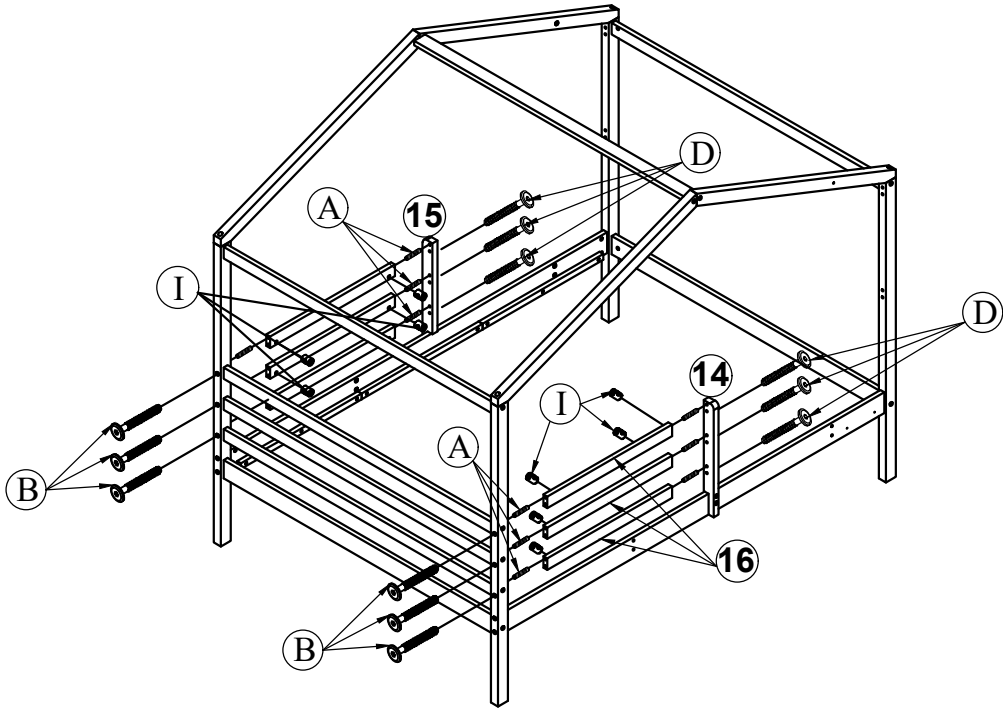
S	A	B	I
			
4PCS	4PCS	8PCS	8PCS

### STEP 4



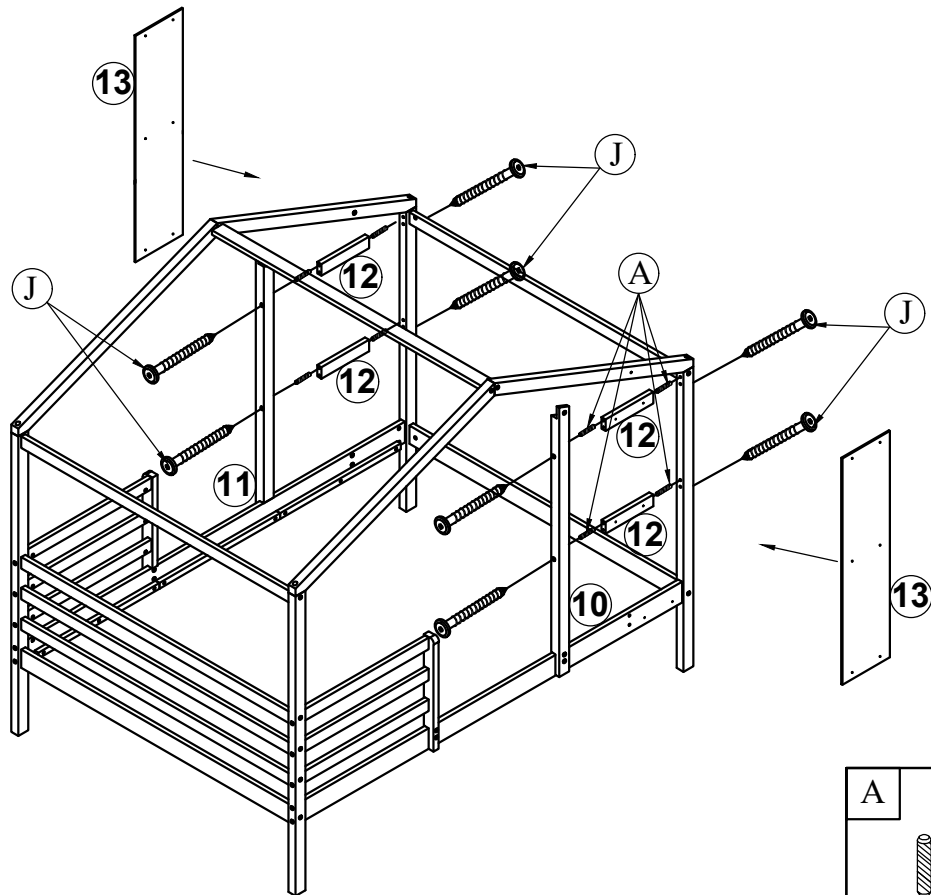
E	K
	
4PCS	4PCS

**STEP 5**



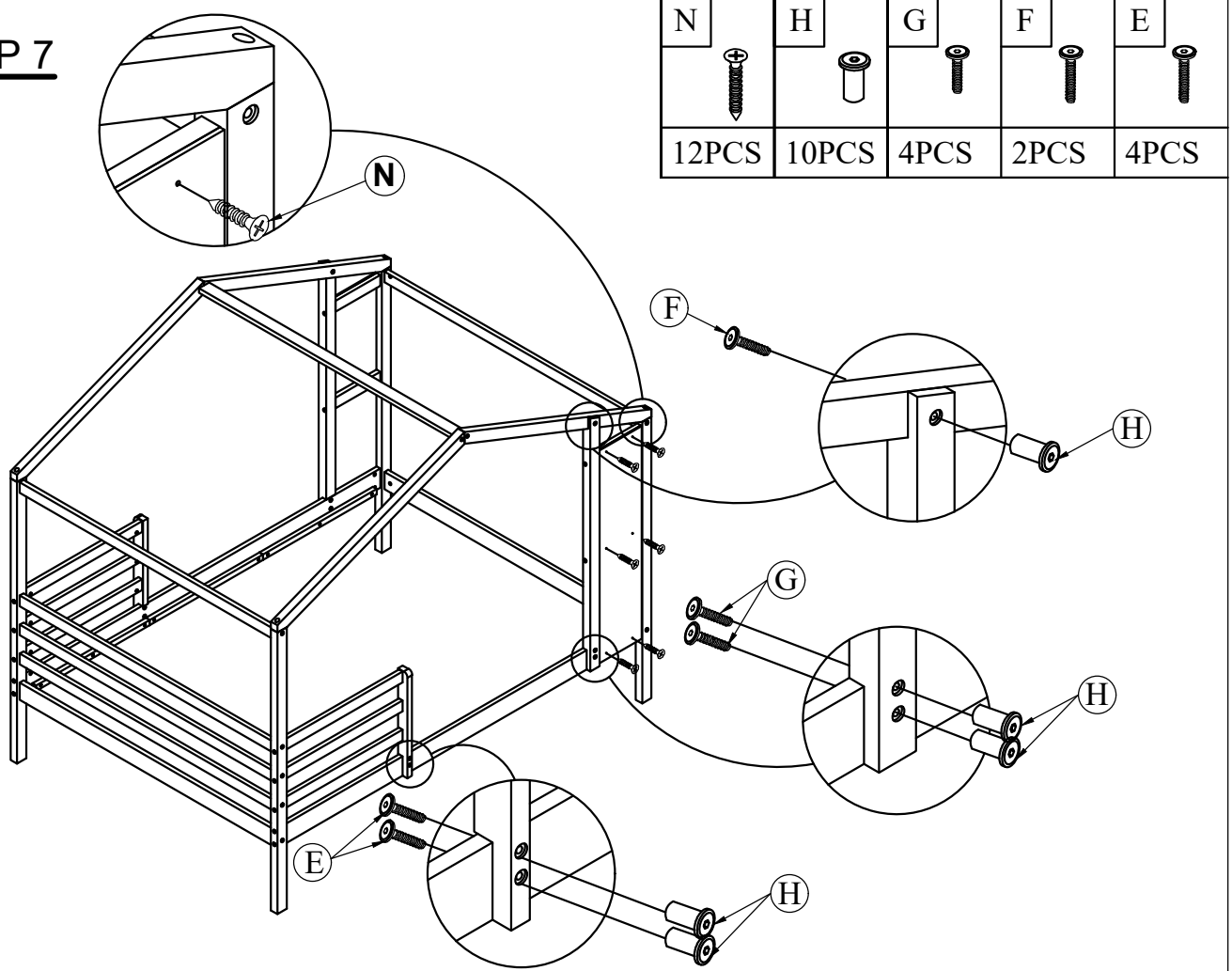
A	B	D	I
12PCS	6PCS	6PCS	12PCS

**STEP 6**

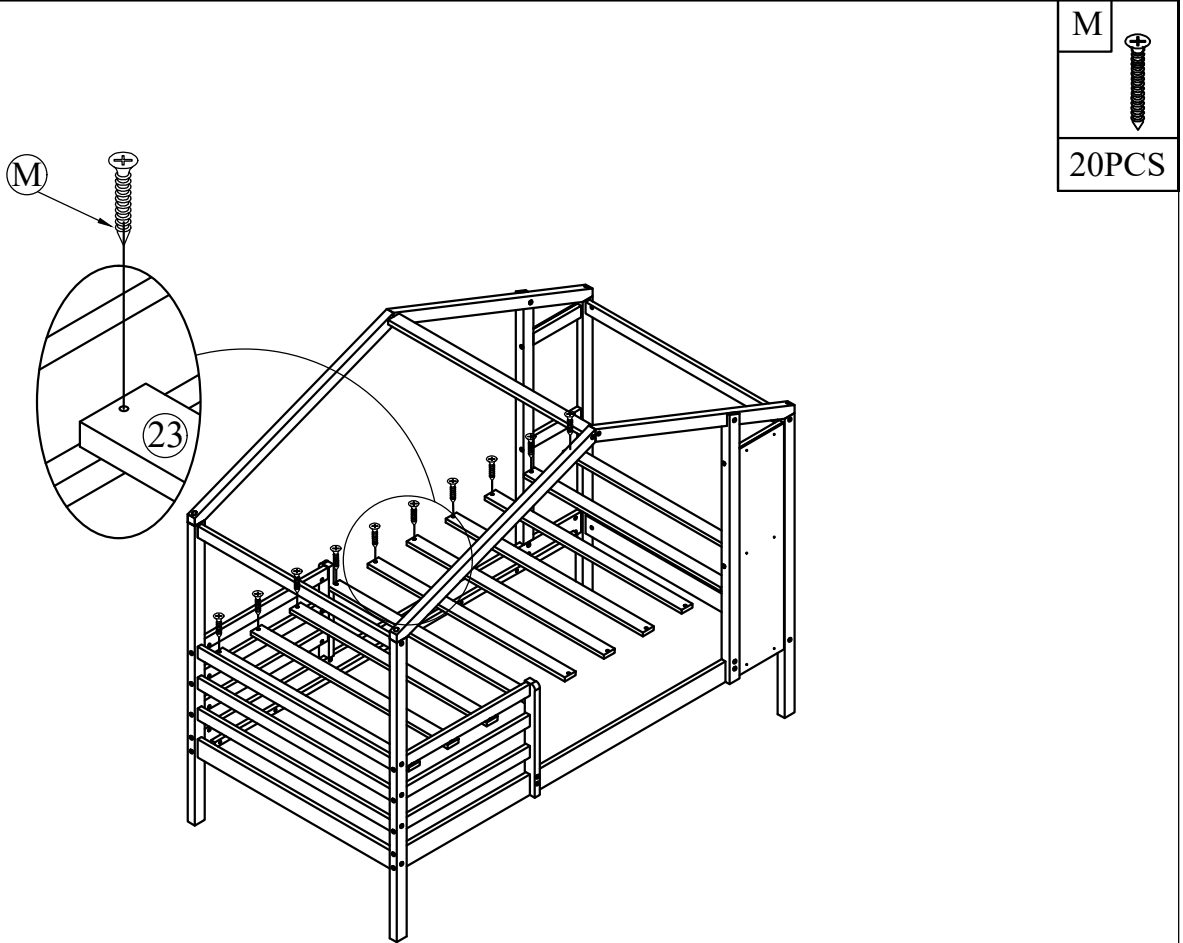


A	J
8PCS	8PCS

**STEP 7**





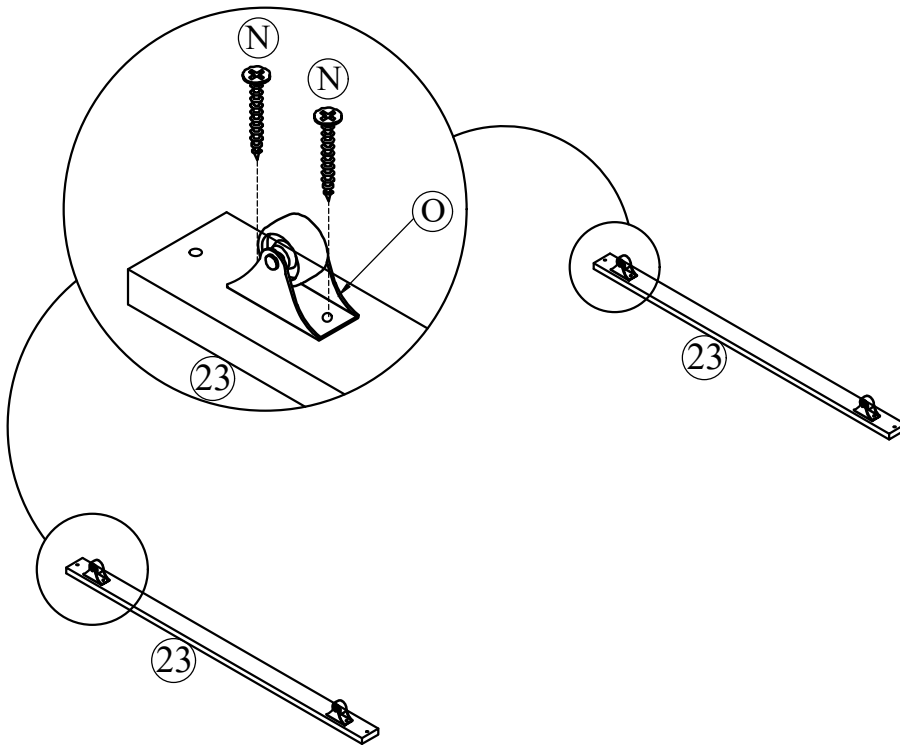
**STEP 8**






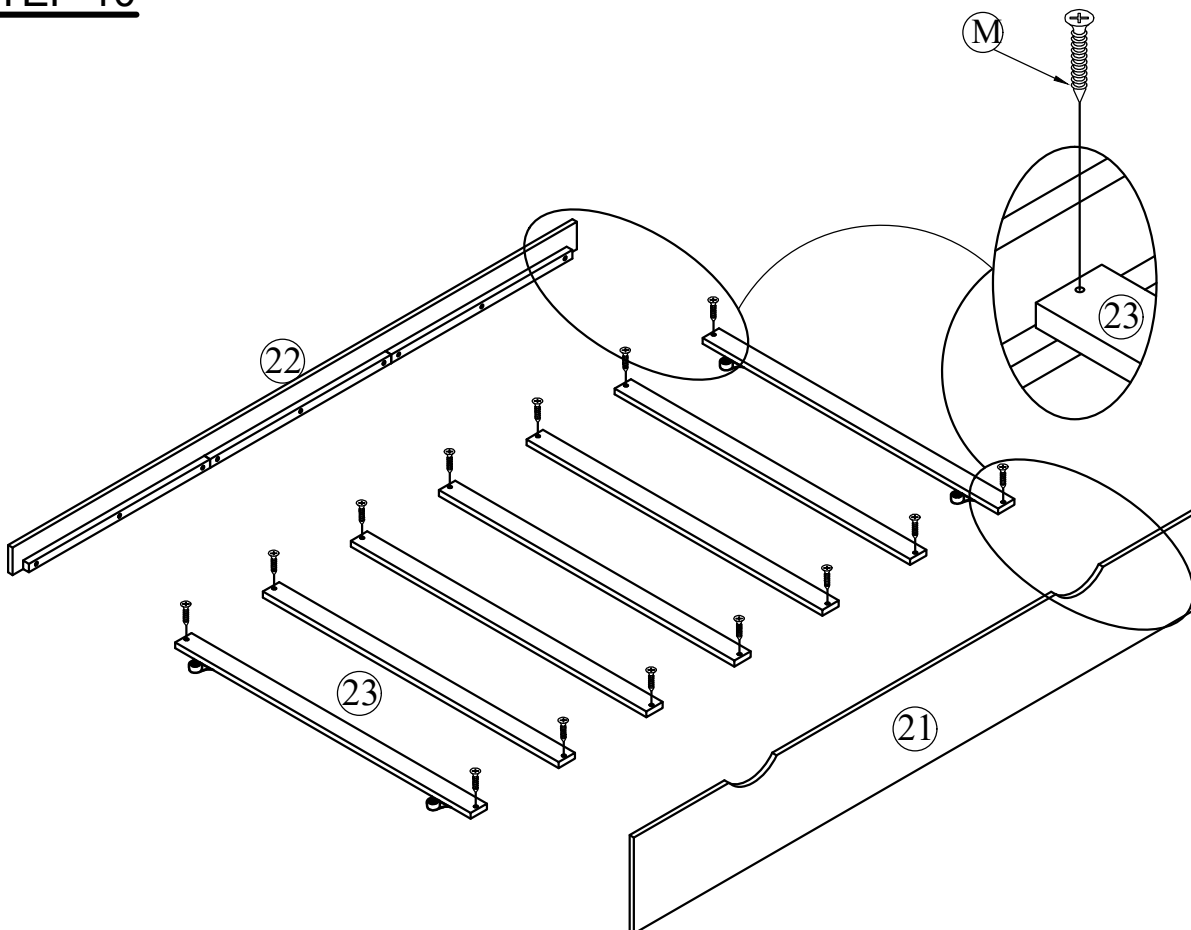
**STEP 9**

N	O
	
8PCS	4PCS

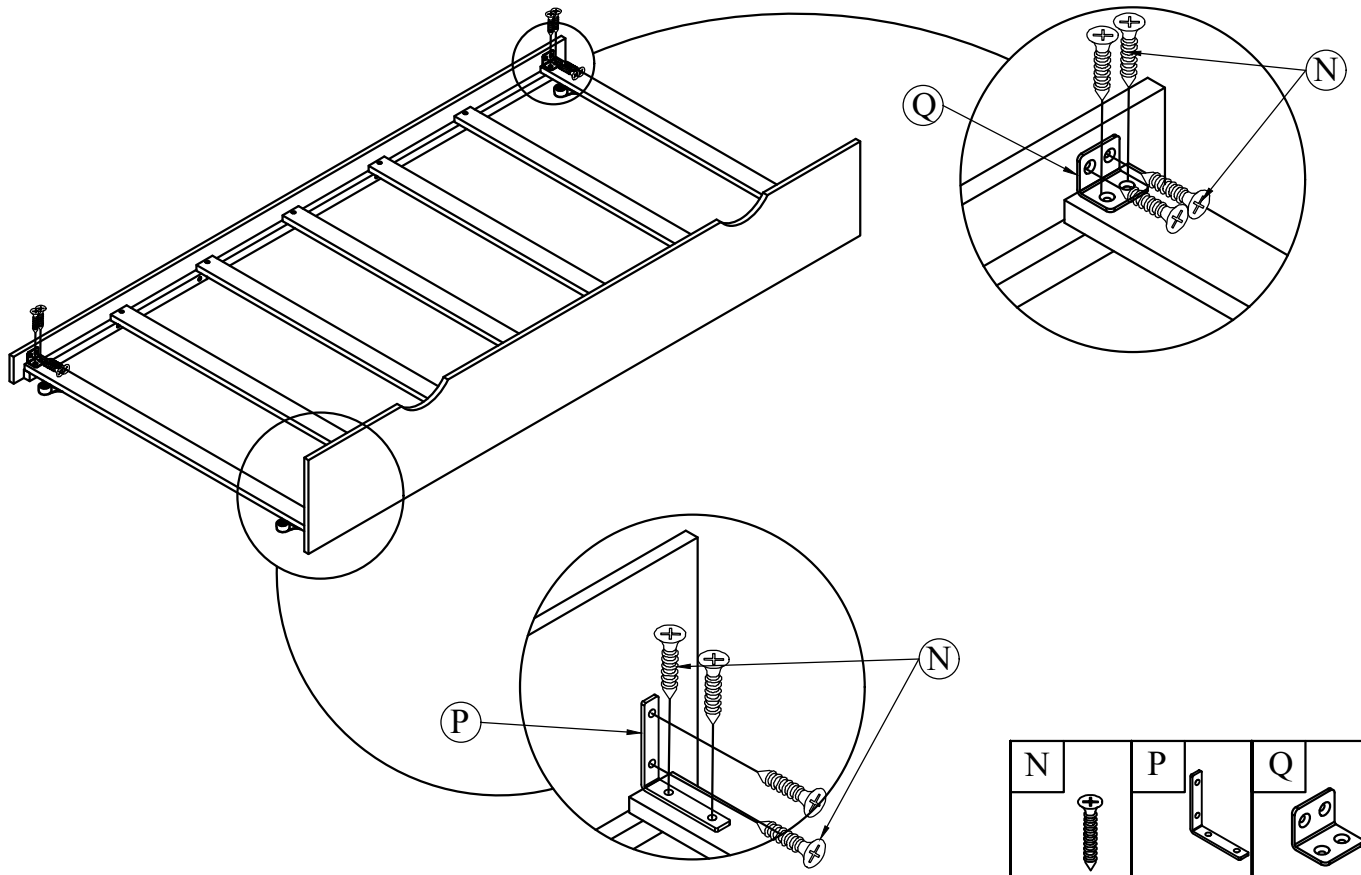


**STEP 10**

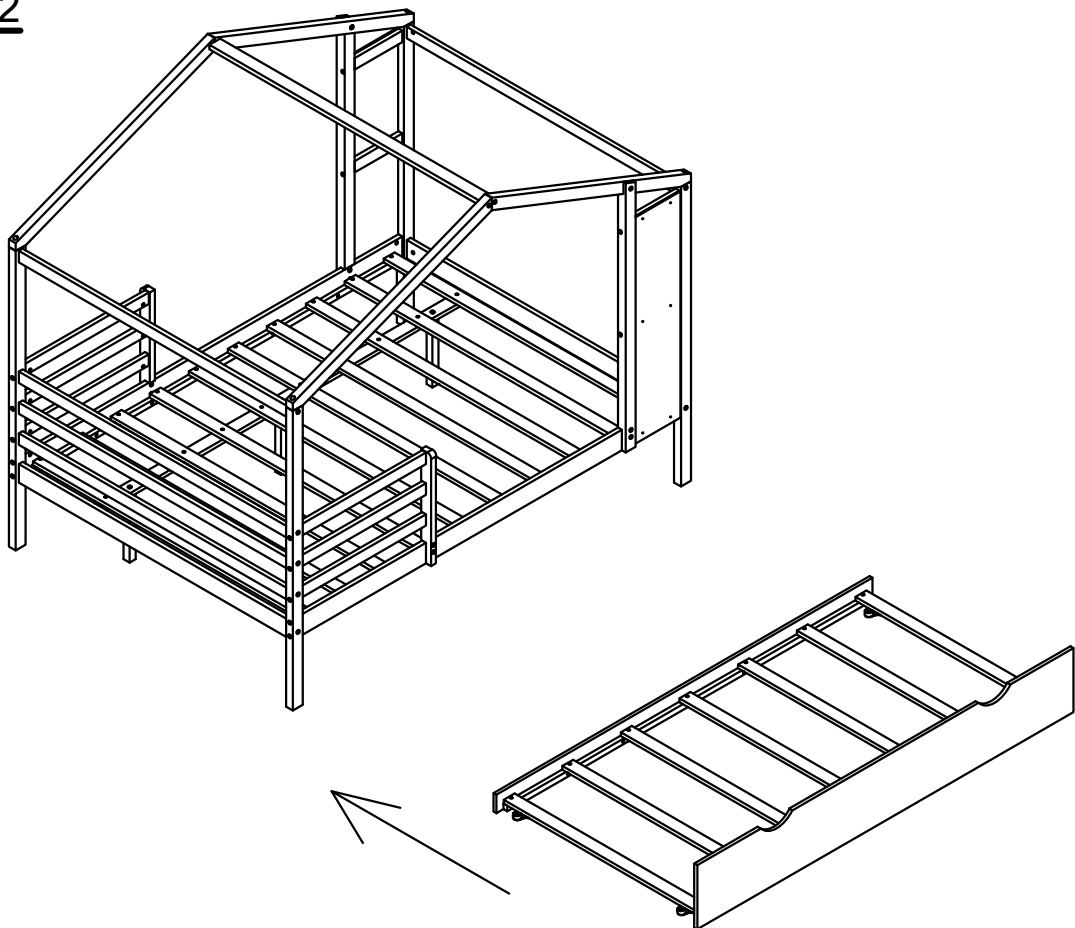
M

14PCS



**STEP 11**



**STEP 12**



# COMPLETED

