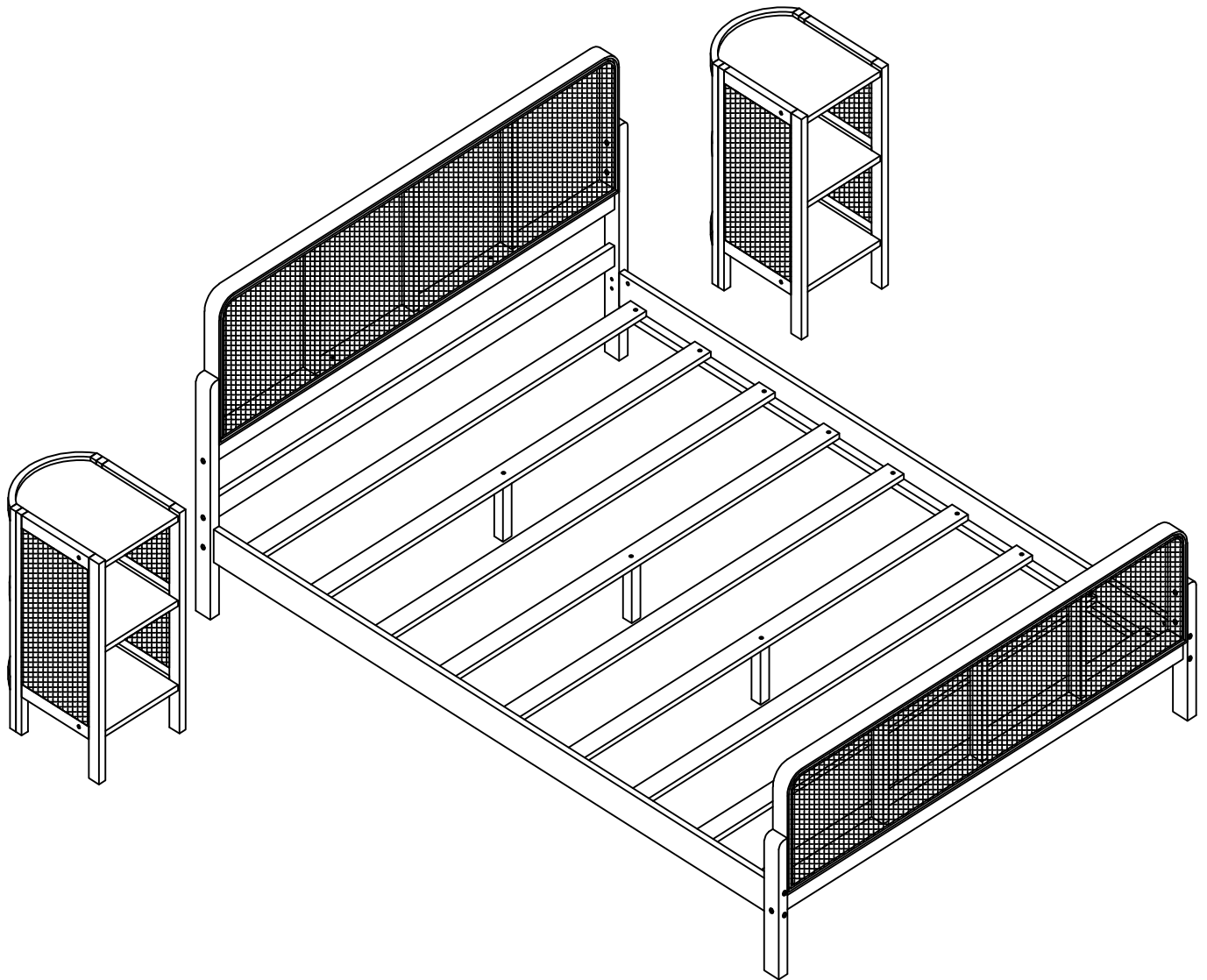
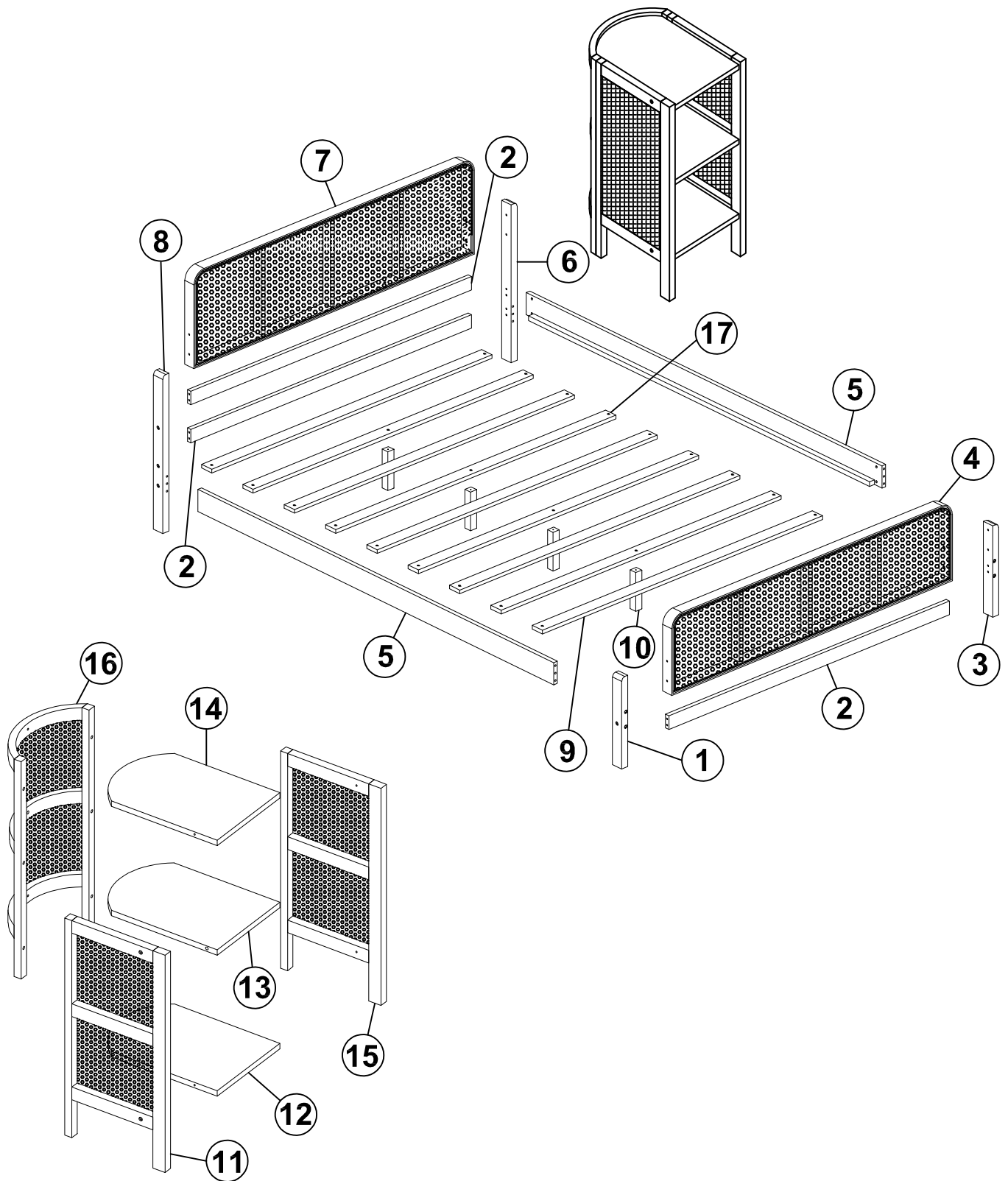


ASSEMBLY INSTRUCTION

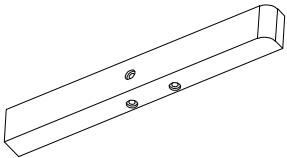

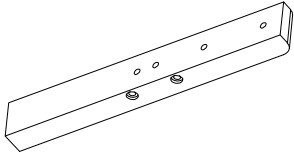
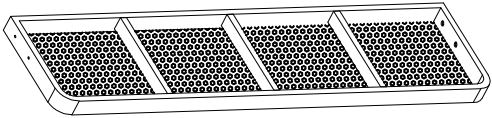
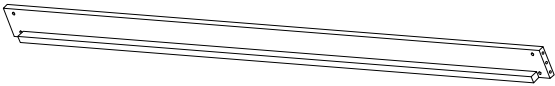
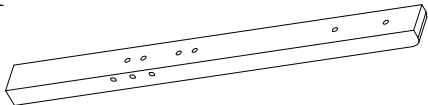
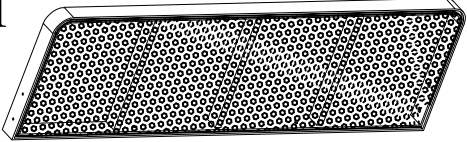
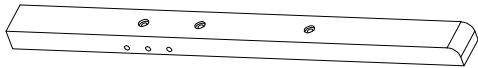
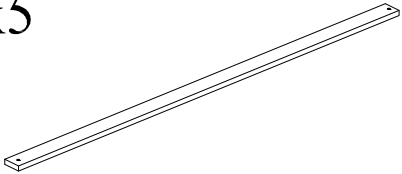
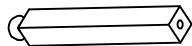
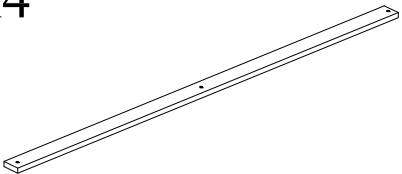
SKU CODE: WF315319 / WF315320



Detail:

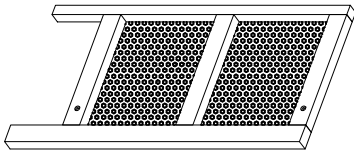


Part List (WF315319)

<p>① x1</p>  <p>Front Left Leg</p>	<p>② x3</p>  <p>Top Guard</p>
<p>③ x1</p>  <p>Front Right Leg</p>	<p>④ x1</p>  <p>FootBoard</p>
<p>⑤ x2</p>  <p>Side Rail</p>	<p>⑥ x1</p>  <p>Back Right Leg</p>
<p>⑦ x1</p>  <p>Head</p>	<p>⑧ x1</p>  <p>Back Left Leg</p>
<p>⑨ x5</p>  <p>Slats</p>	<p>⑩ x4</p>  <p>Support Leg</p>
<p>⑰ x4</p>  <p>Slats</p>	

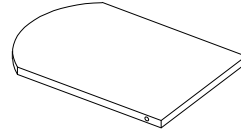
Part List (WF315320)

11 x2



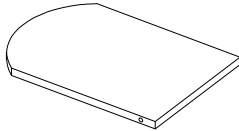
Side Cabinet

13 x2



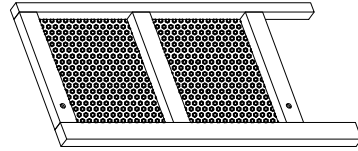
Mid Cabinet

14 x2



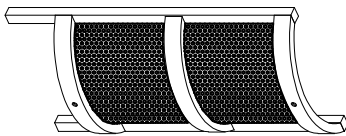
Top Cabinet

15 x2



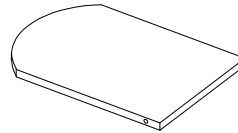
Side Cabinet

16 x2



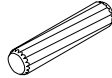





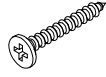
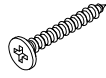

Back Cabinet

12 x2



Bottom Cabinet


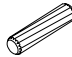


Hardware List (WF315319)

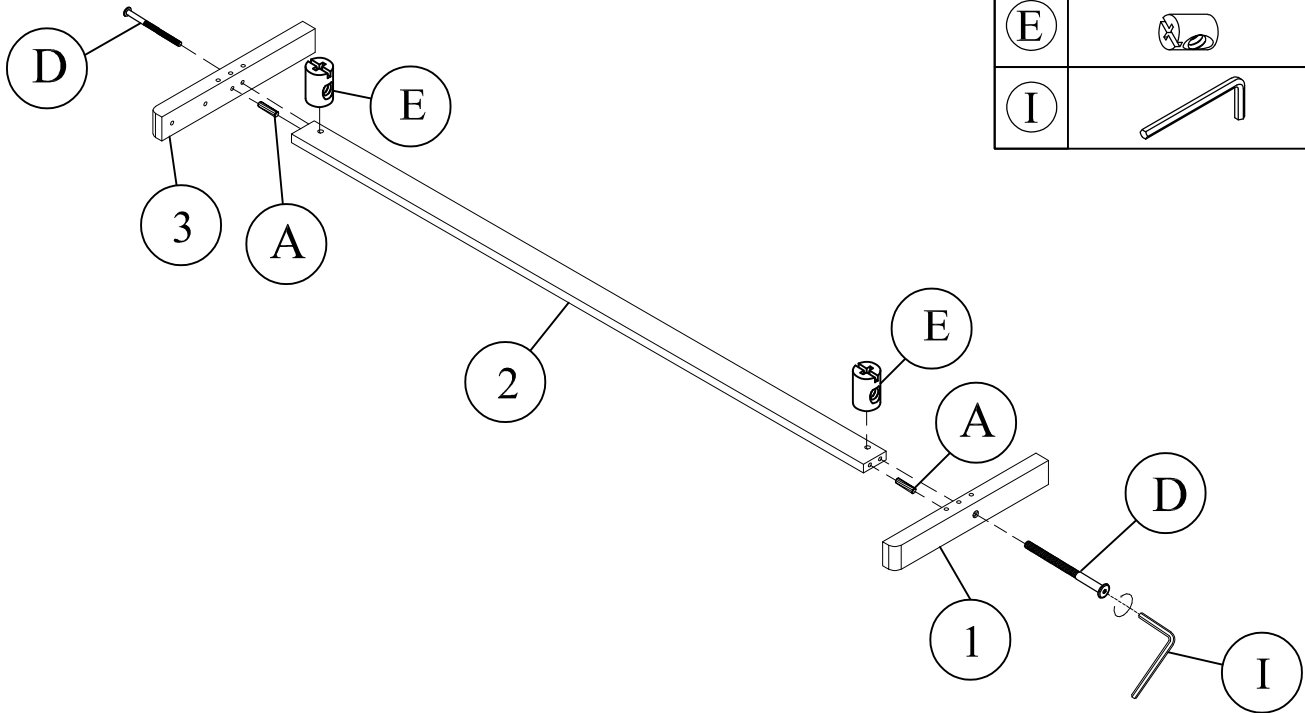
No.	OUTLOOK	DESC	QTY
A		Dowel Ø8*30mm	28pcs
B		Bolts M6*30mm	12pcs
C		Bolts M6*90mm	8pcs
D		Bolts M6*70mm	6pcs
E		Cross dowel M6*13mm	14pcs
F		Cross dowel Ø10*10mm	12pcs
G		Flat head screw #8*60mm	12pcs
H		Flat head screw #8*25mm	18pcs
I		Allen key 60*22*4mm	1pc

ASSEMBLY TOOLS REQUIRED (NOT INCLUDED)

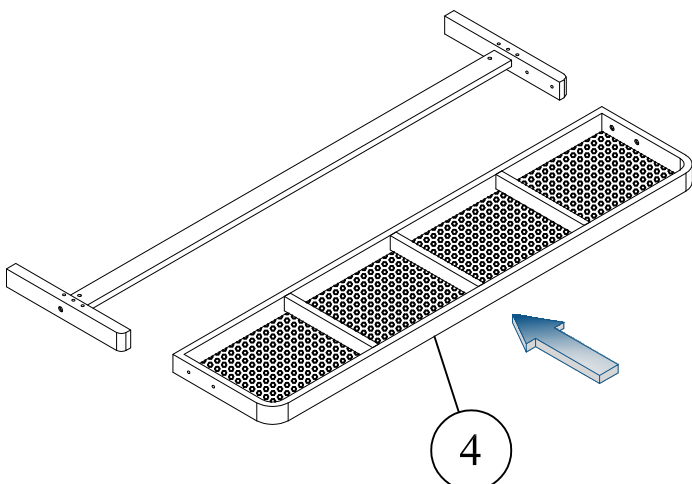


STEP 1

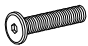

(D)		2pcs
(A)		2pcs
(E)		2pcs
(I)		1pc

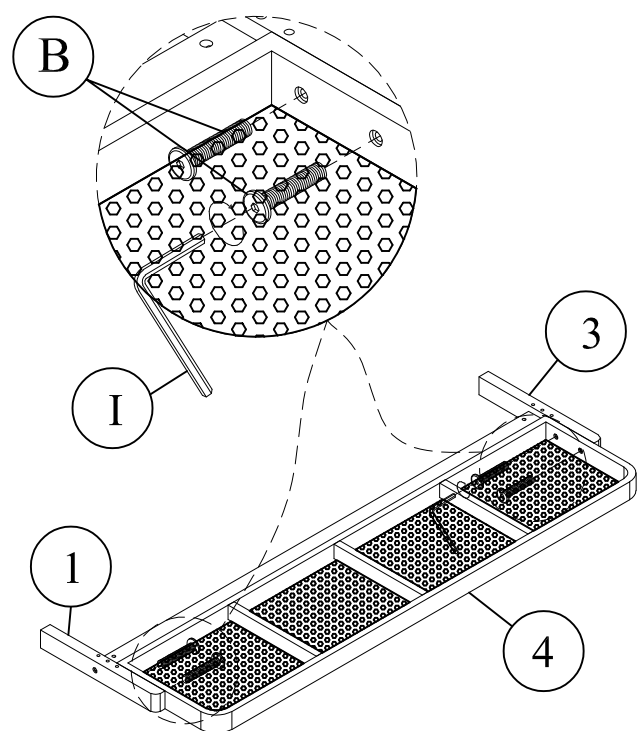


STEP 2

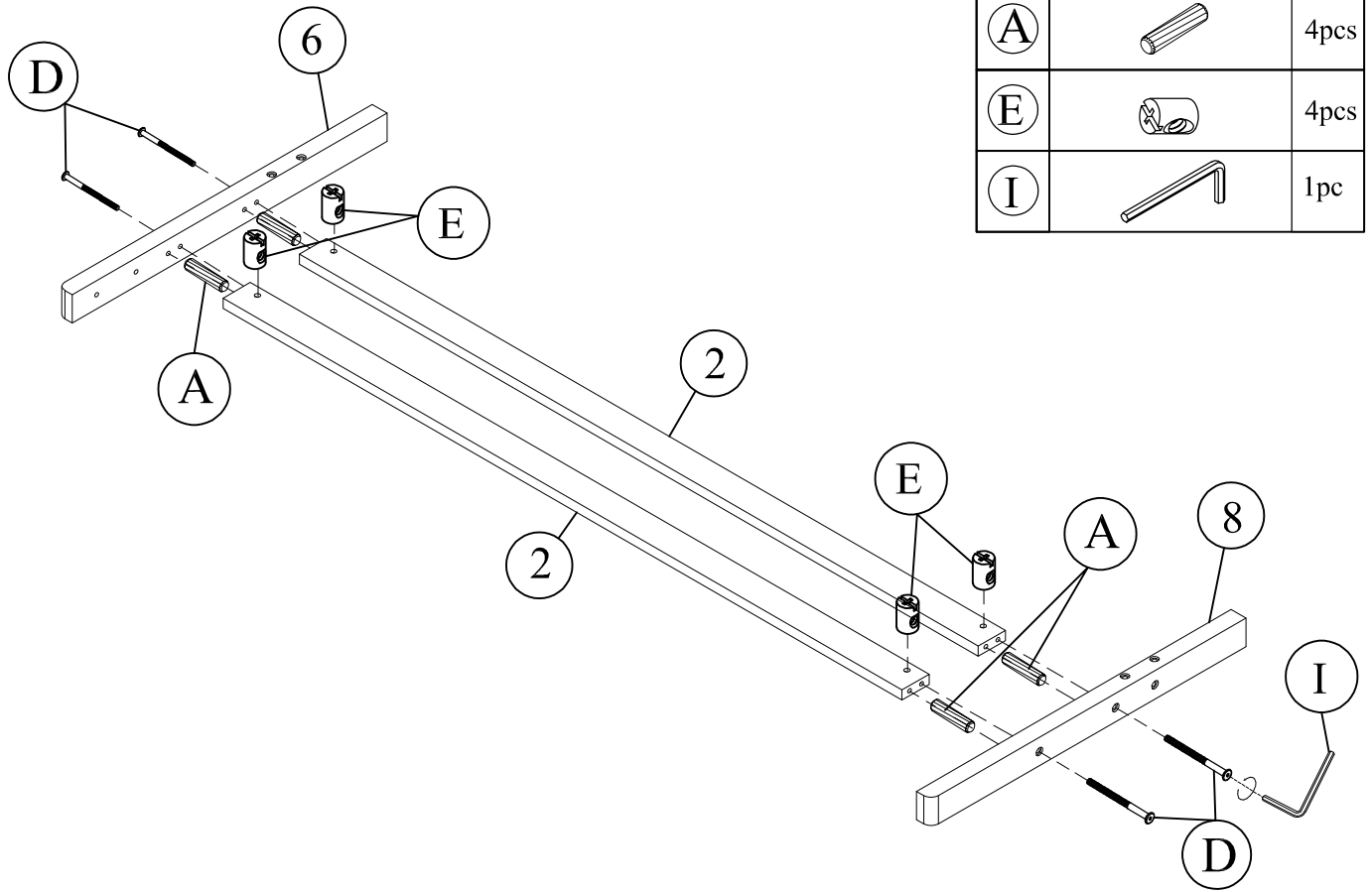



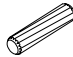


STEP 3

(B)		4pcs
(I)		1pc

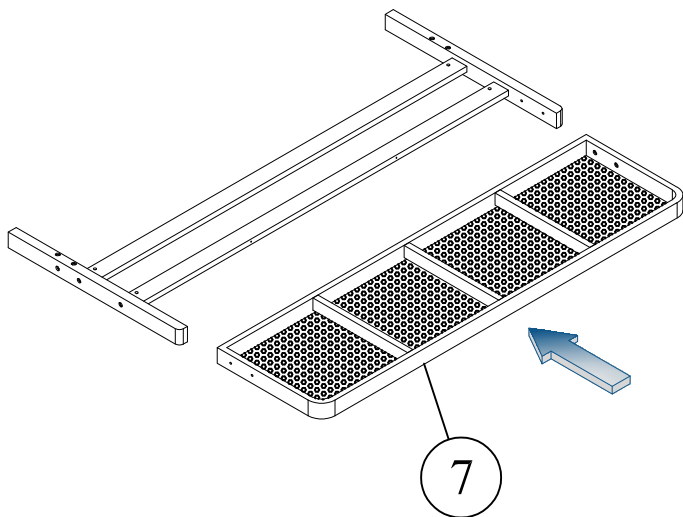


STEP 4

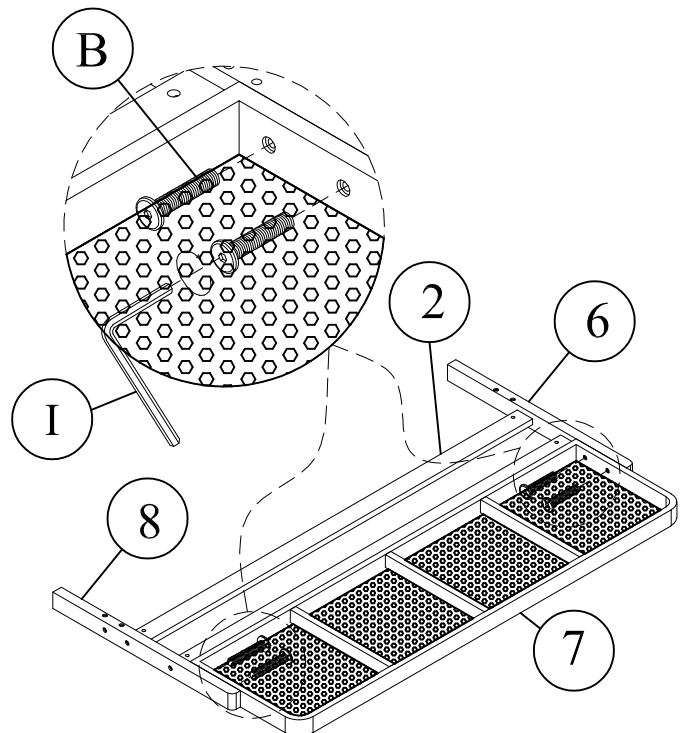




(D)		4pcs
(A)		4pcs
(E)		4pcs
(I)		1pc

STEP 5


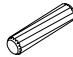




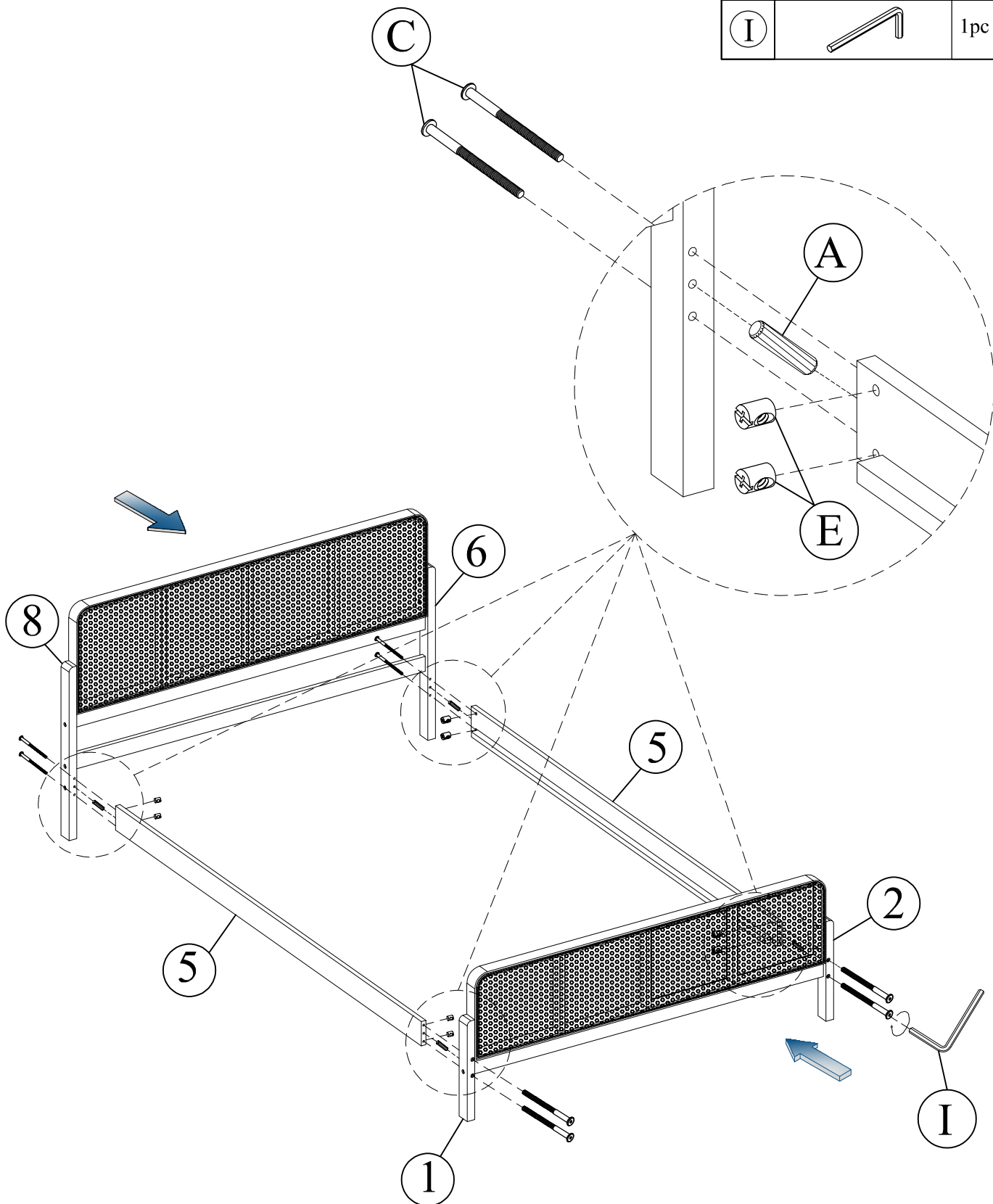
STEP 6




(B)		4pcs
(I)		1pc

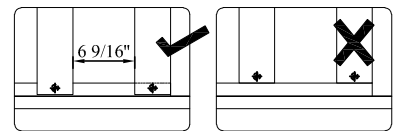
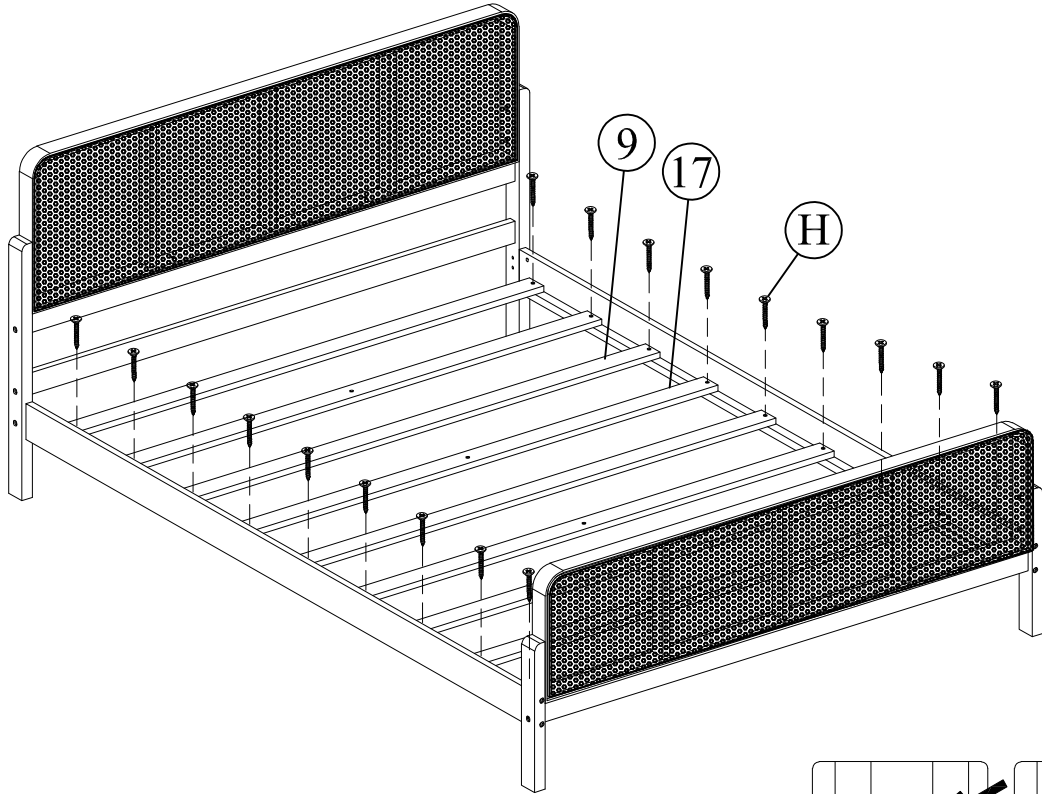
STEP 7

C		8pcs
A		4pcs
E		8pcs
I		1pc





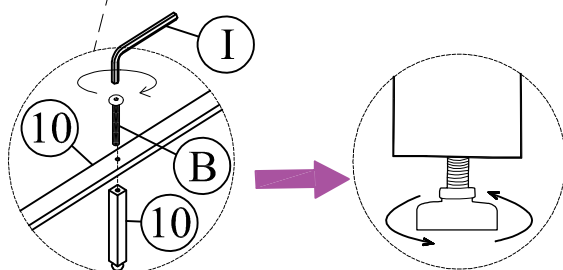
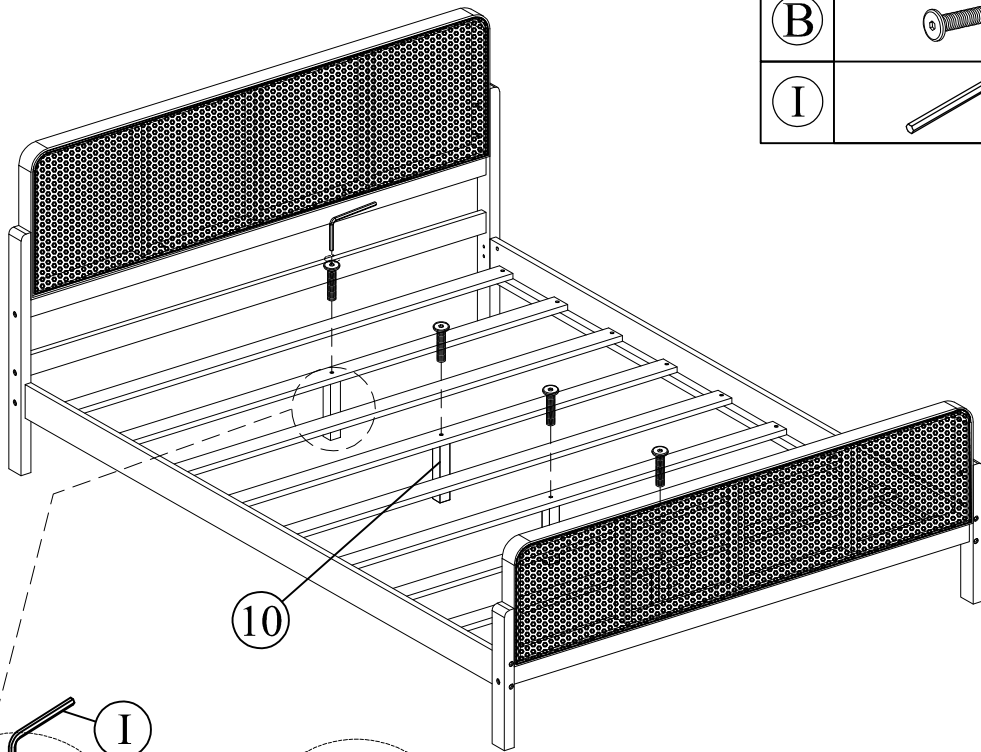
STEP 8

(H)		18pcs
-----	---	-------






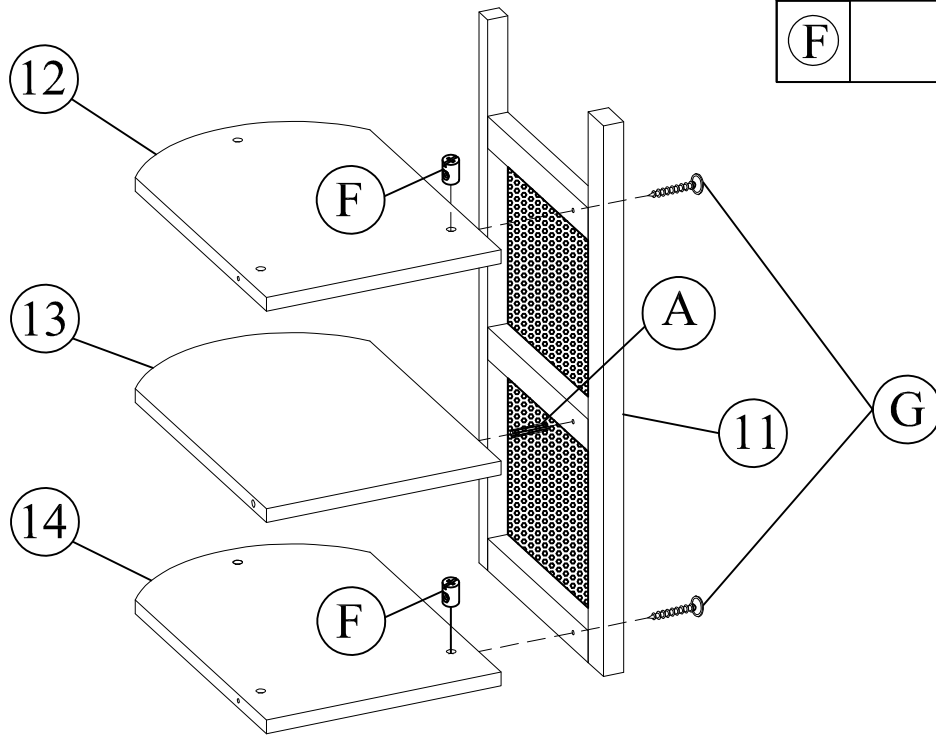
STEP 9

(B)		4pcs
(I)		1pc






STEP 10

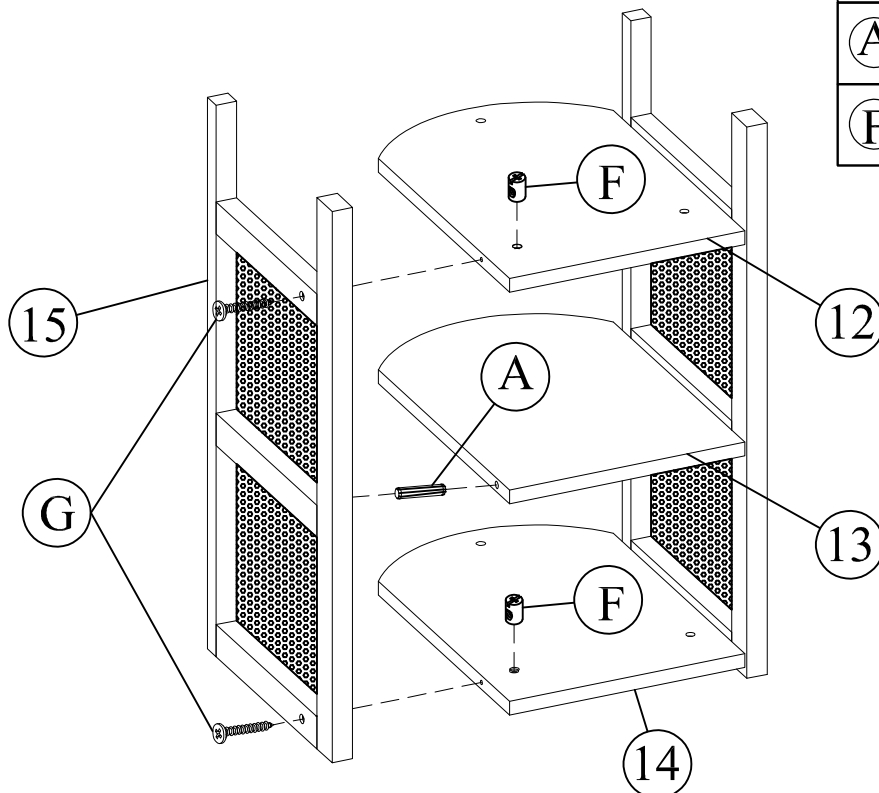
G		4pcs
A		2pcs
F		4pcs



X2


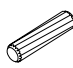

STEP 11

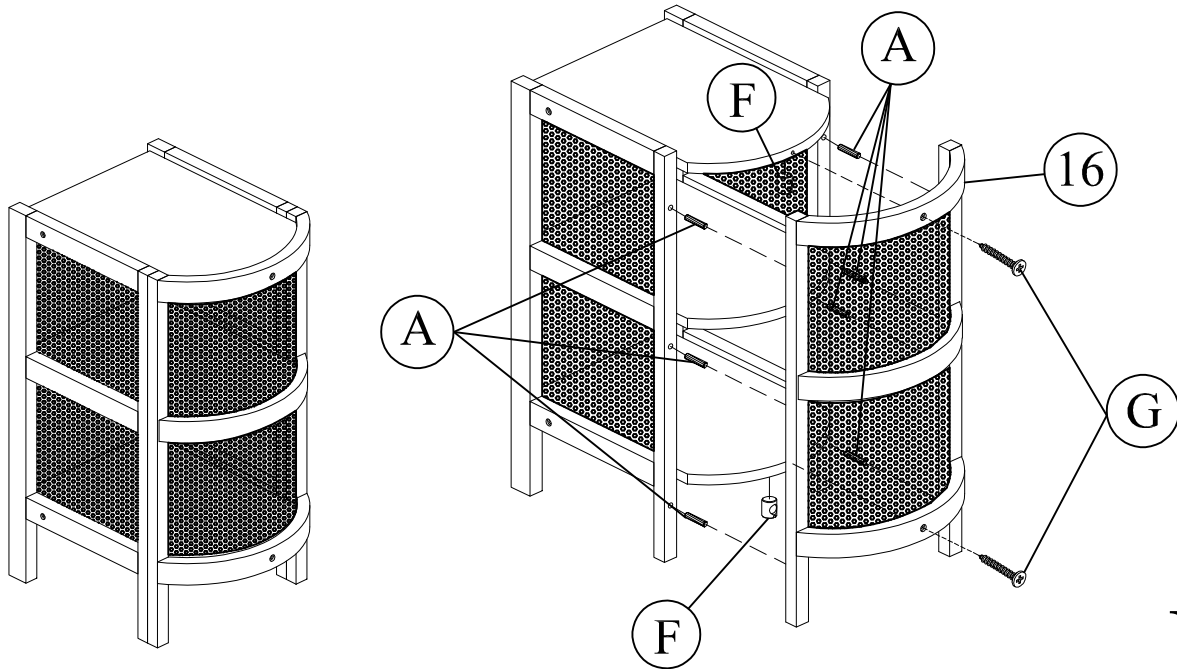
G		4pcs
A		2pcs
F		4pcs



X2

STEP 12

G		4pcs
A		14pcs
F		4pcs



X2

FINAL

