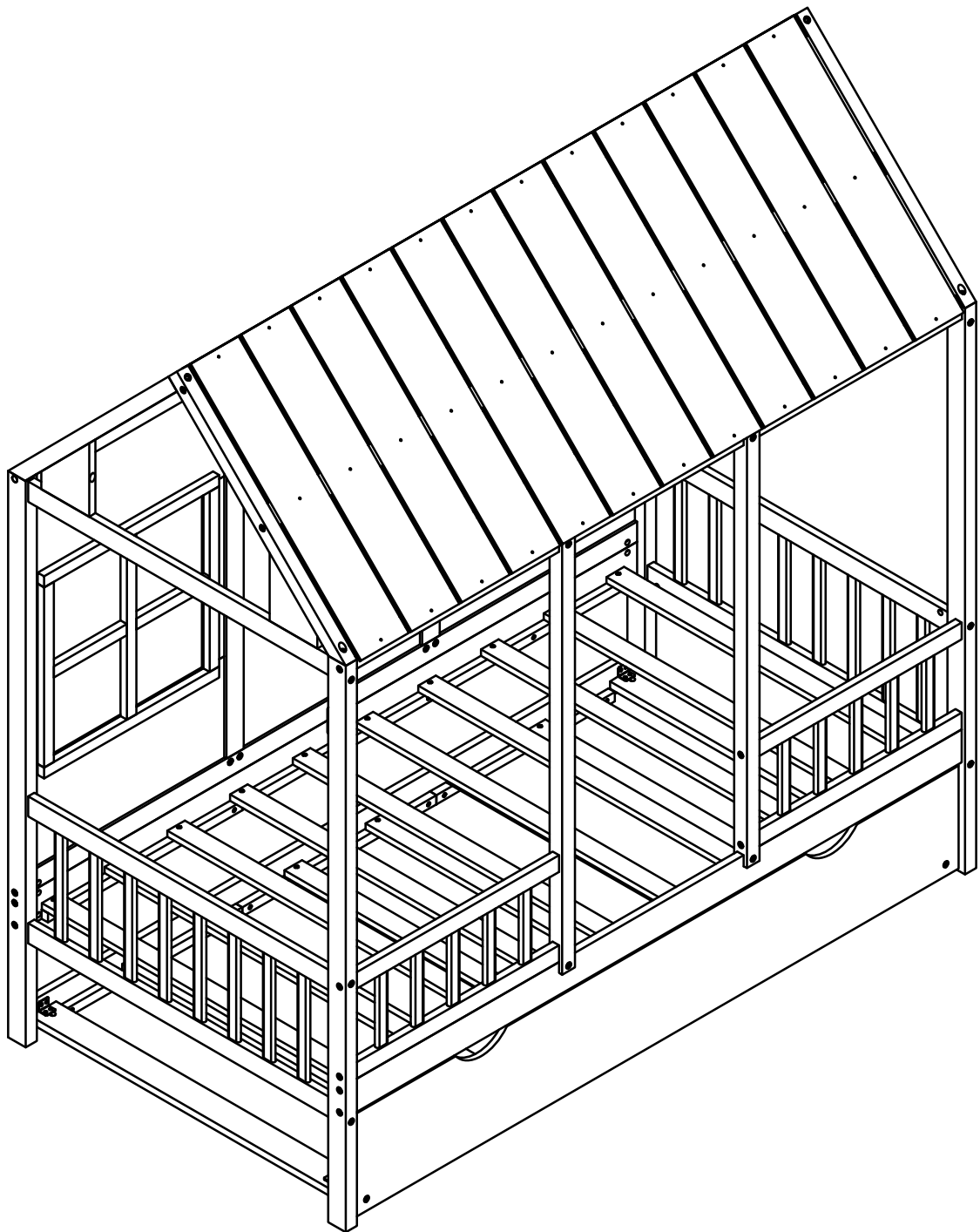


# ASSEMBLY INSTRUCTIONS

WF316088 / WF316089

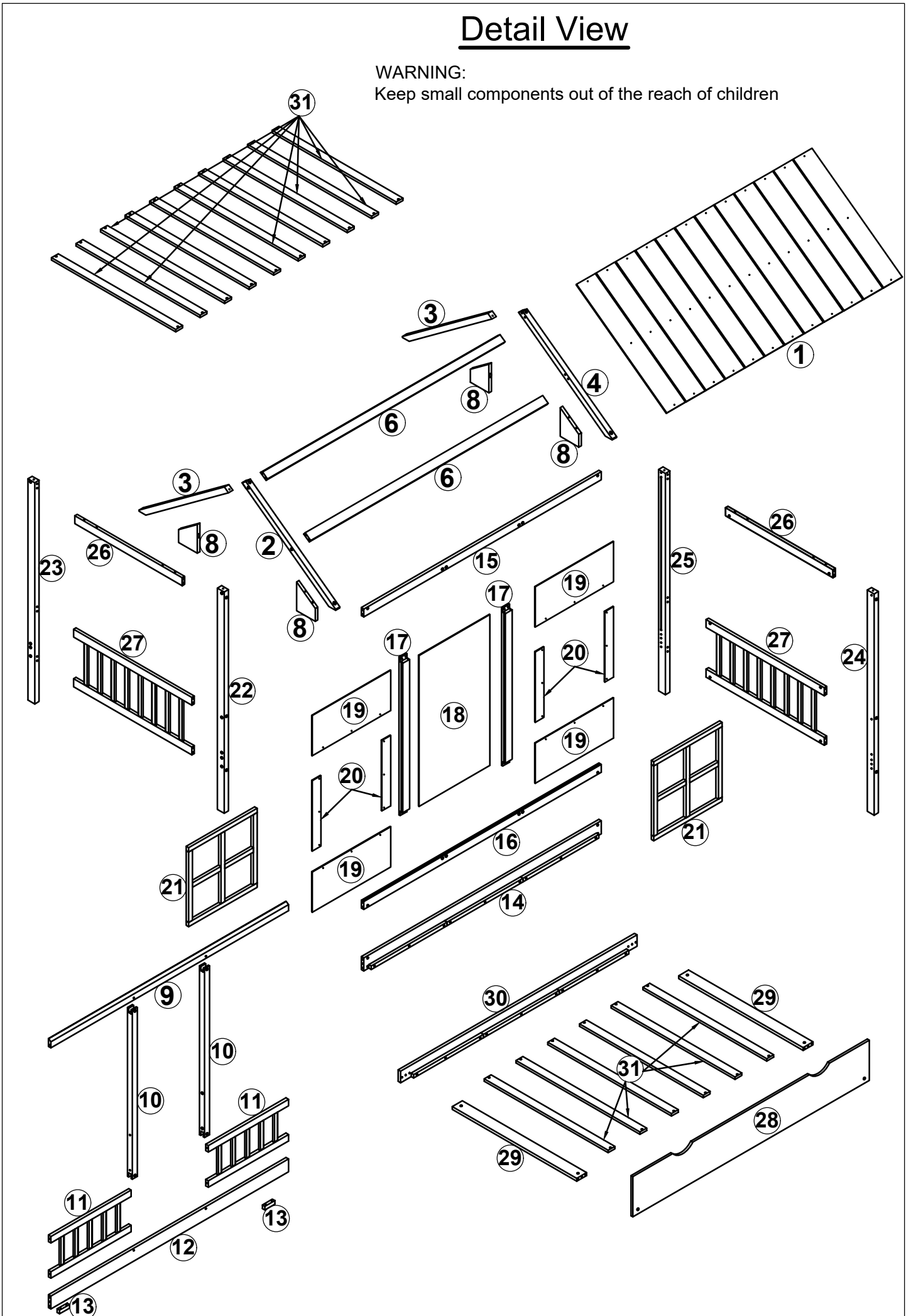
Twin House bed with trundle




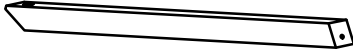

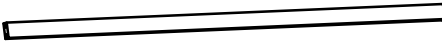

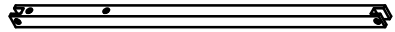




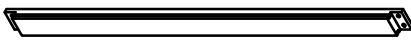
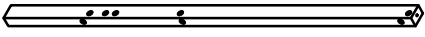
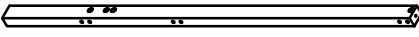
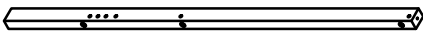



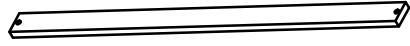
This set is included 2 boxes if don't receive full 2 boxes please contact our customer service team.

# Detail View

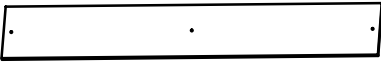
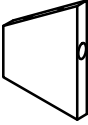
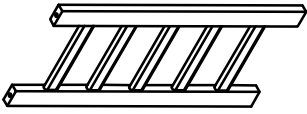

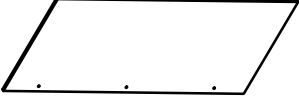
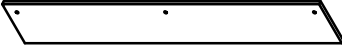
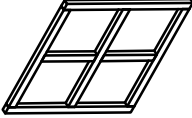
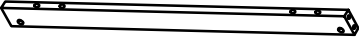
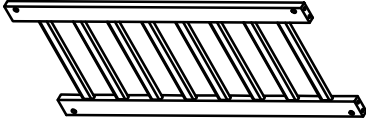
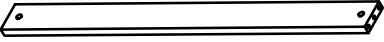
WARNING:  
Keep small components out of the reach of children




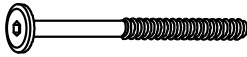






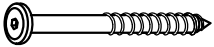
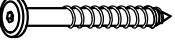

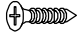

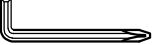

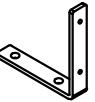
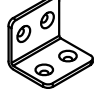

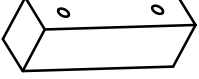
## Part List box 1 (WF316088) + Hardware list

<p>2</p>  <p>Front left roof cross rail - 1pc</p>	<p>3</p>  <p>Back left roof cross rail - 2pcs</p>	<p>4</p>  <p>Front right roof cross rail - 1pc</p>
<p>6</p>  <p>Horizontal roof rail - 2pcs</p>	<p>9</p>  <p>Horizontal front top rail - 1pc</p>	<p>10</p>  <p>Vertical front rail - 2pcs</p>
<p>12</p>  <p>Front siderail - 1pc</p>	<p>14</p>  <p>Back siderail - 1pc</p>	<p>15</p>  <p>Horizontal back top rail - 1pc</p>
<p>16</p>  <p>Horizontal back bottom rail - 1pc</p>	<p>17</p>  <p>Vertical back rail - 2pcs</p>	<p>22</p>  <p>Front left leg - 1pc</p>
<p>23</p>  <p>Back left leg - 1pc</p>	<p>24</p>  <p>Front right leg - 1pc</p>	<p>25</p>  <p>Back right leg - 1pc</p>
<p>28</p>  <p>Trundle front panel - 1pc</p>	<p>30</p>  <p>Trundle back frame - 1pc</p>	<p>31</p>  <p>Trundle slats - 16pcs</p>

## Part List box 2 (WF316089)

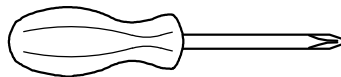
<p>1</p>  <p>Roof panel - 12pcs</p>	<p>8</p>  <p>Corner roof panel - 4pcs</p>	<p>11</p>  <p>Front slat frame - 2pcs</p>
<p>18</p>  <p>Center back panel - 1pc</p>	<p>19</p>  <p>Left, right back panel 1 - 4pcs</p>	<p>20</p>  <p>Left, right back panel 2 - 4pcs</p>
<p>21</p>  <p>Fake door frame - 2pcs</p>	<p>26</p>  <p>Side top rail - 2pcs</p>	<p>27</p>  <p>Side slat frame - 2pcs</p>
<p>29</p>  <p>Trundle horizontal rail - 2pcs</p>		

# Hardware List (WF316088)

<b>A</b>  8 X 8 X 30mm. Wooden dowel (44pcs)	<b>B</b>  Ø1/4" x 100mm Hex-head bolt (12pcs)	<b>C</b>  Ø1/4" x 80mm Hex-head bolt (20pcs)
<b>D</b>  Ø1/4" x 60mm Hex-head bolt (4pcs)	<b>E</b>  Ø1/4" x 30mm Hex-head bolt (4pcs)	<b>F</b>  Ø1/4" x 20mm Hex-head bolt (8pcs)
<b>G</b>  Ø1/4" Horizontal-hole bolt (36pcs)	<b>H</b>  Ø1/4" x 15mm Sleever nuts (12pcs)	<b>I</b>  Ø6 x 80mm Hex-Head screw (6pcs)
<b>J</b>  Ø6 x 60mm Hex-Head screw (10pcs)	<b>K</b>  #4 x 30mm Screw (40pcs)	<b>L</b>  #3.5 x 15mm Screw (28pcs)
<b>M</b>  #4x20mm Mushroom head screw (60pcs)	<b>S</b>  K4mm Allen key (1pc)	<b>O</b>  24x35x45mm Sliding Wheel (4pcs)
<b>P</b>  3x18x95x95mm L big bracket (2pcs)	<b>Q</b>  2x25x25x30mm L small bracket (2pcs)	<b>R</b>  2x35x70mm Straight bracket (1pc)
<b>13</b>  20x25x80mm Trundle stopper block - (2pcs)		

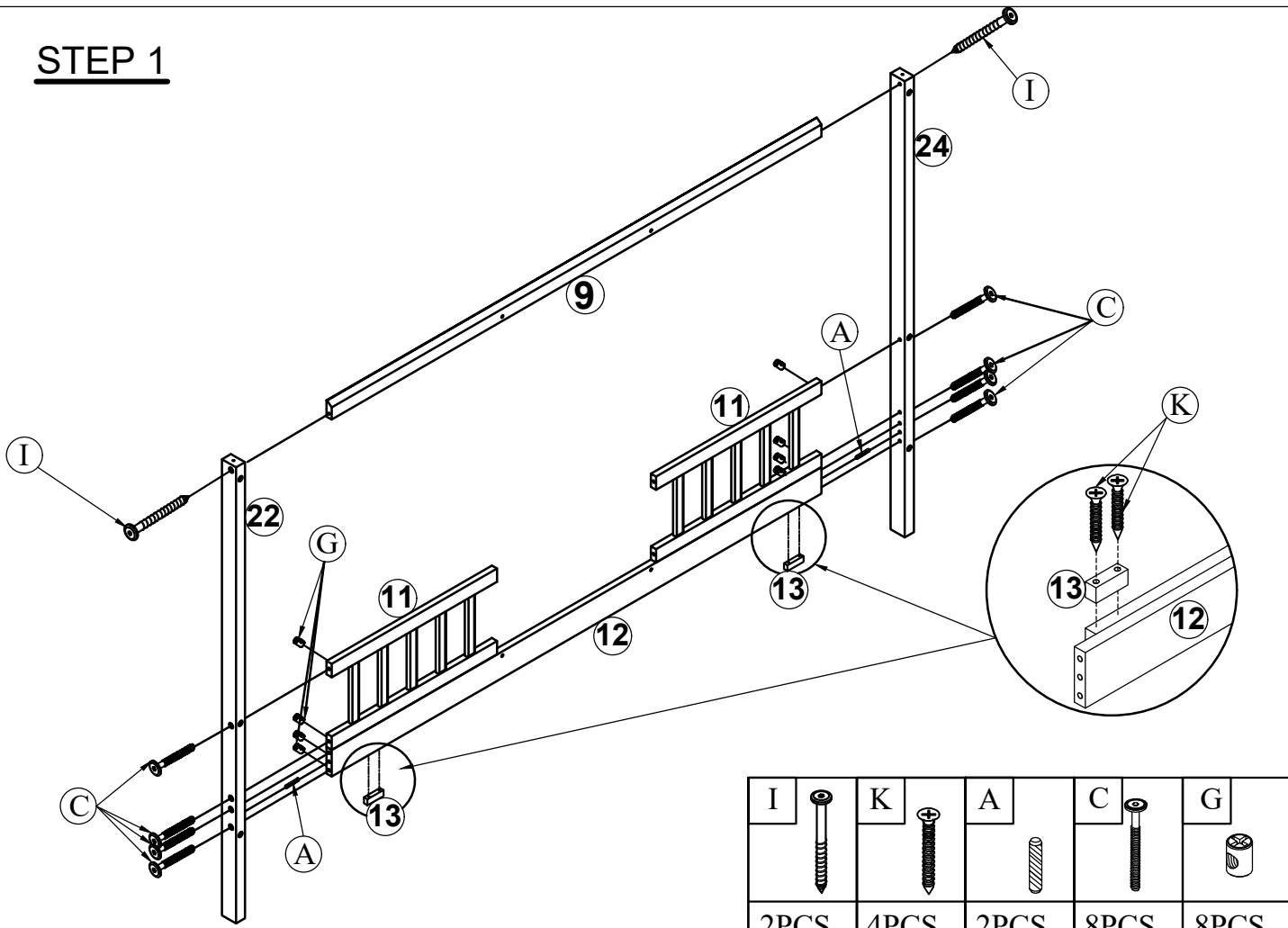
Please sort out all parts before you begin to assembly the item. This is to make sure you always use the correct part.

## ASSEMBLY TOOLS REQUIRED ( NOT INCLUDED )

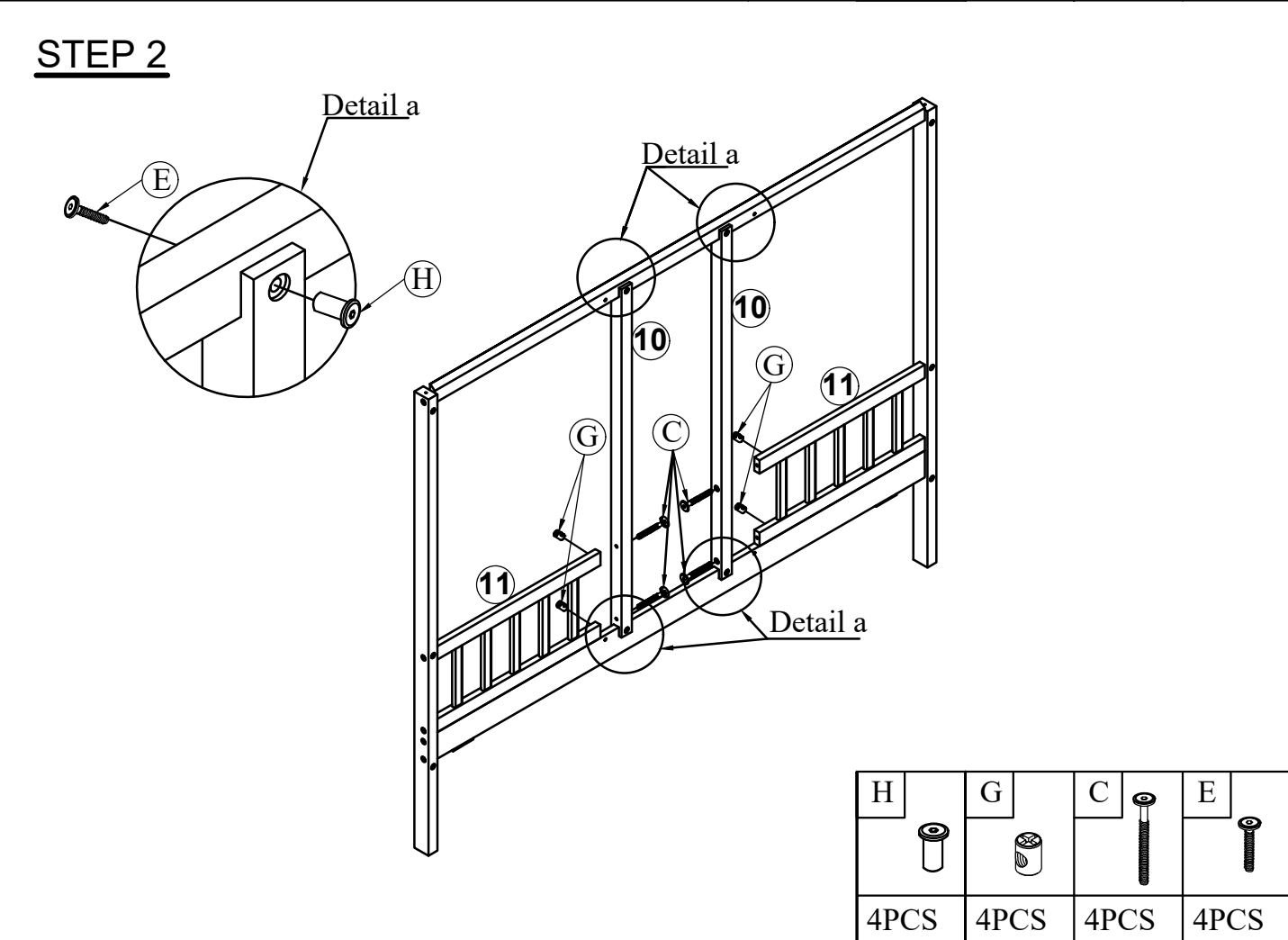


PLEASE BE CAREFUL DO NOT DAMAGE THE HOLE  
POSITION WHEN YOU USE POWER TOOLS !

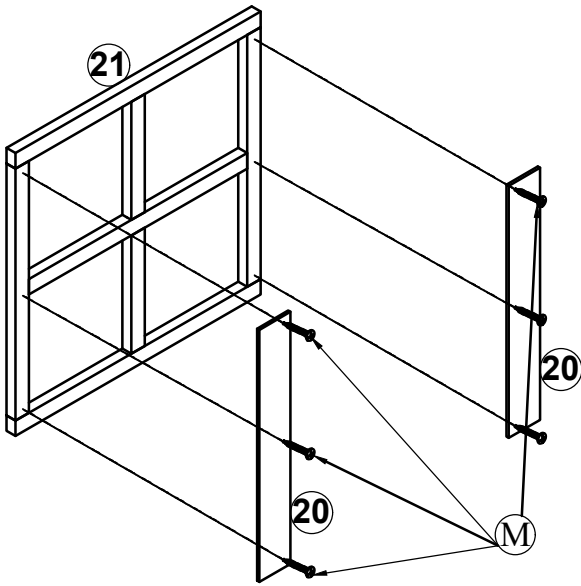
# STEP 1




# STEP 2



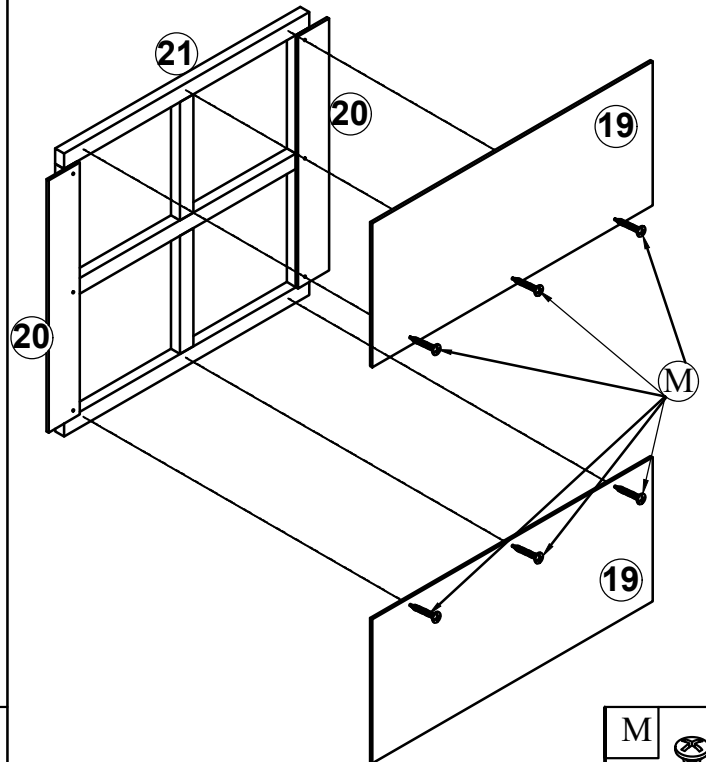
**STEP 3a**



x2

M	
12PCS	

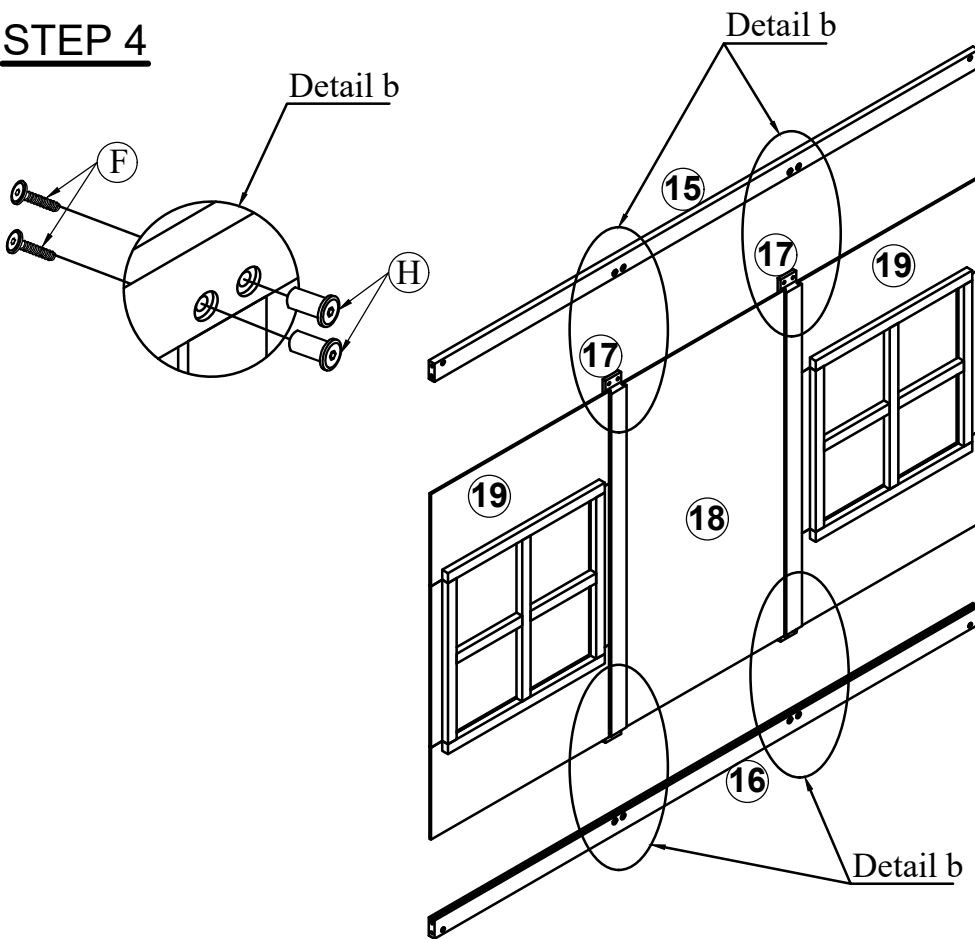
**STEP 3b**





x2

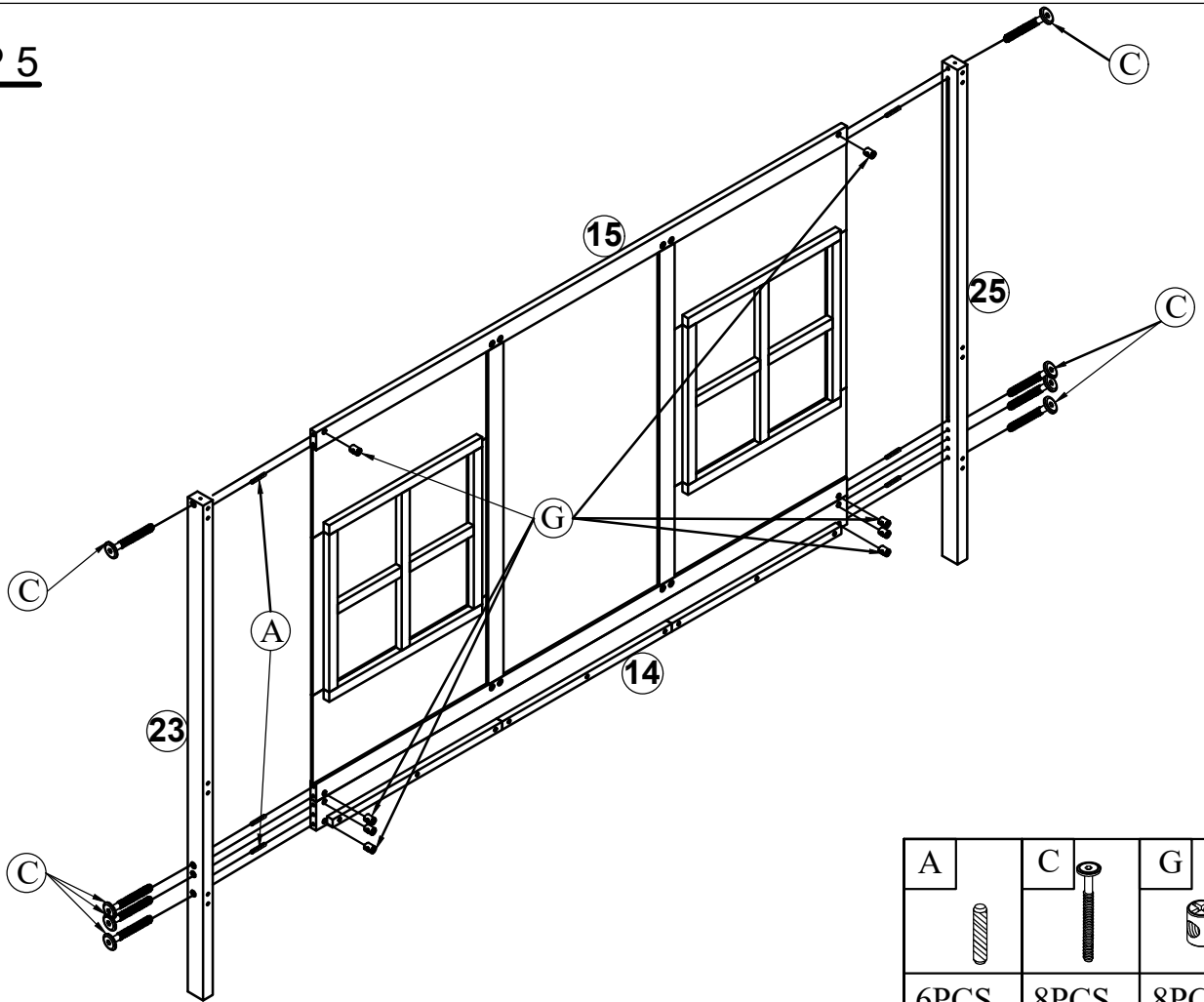
M	
12PCS	

**STEP 4**



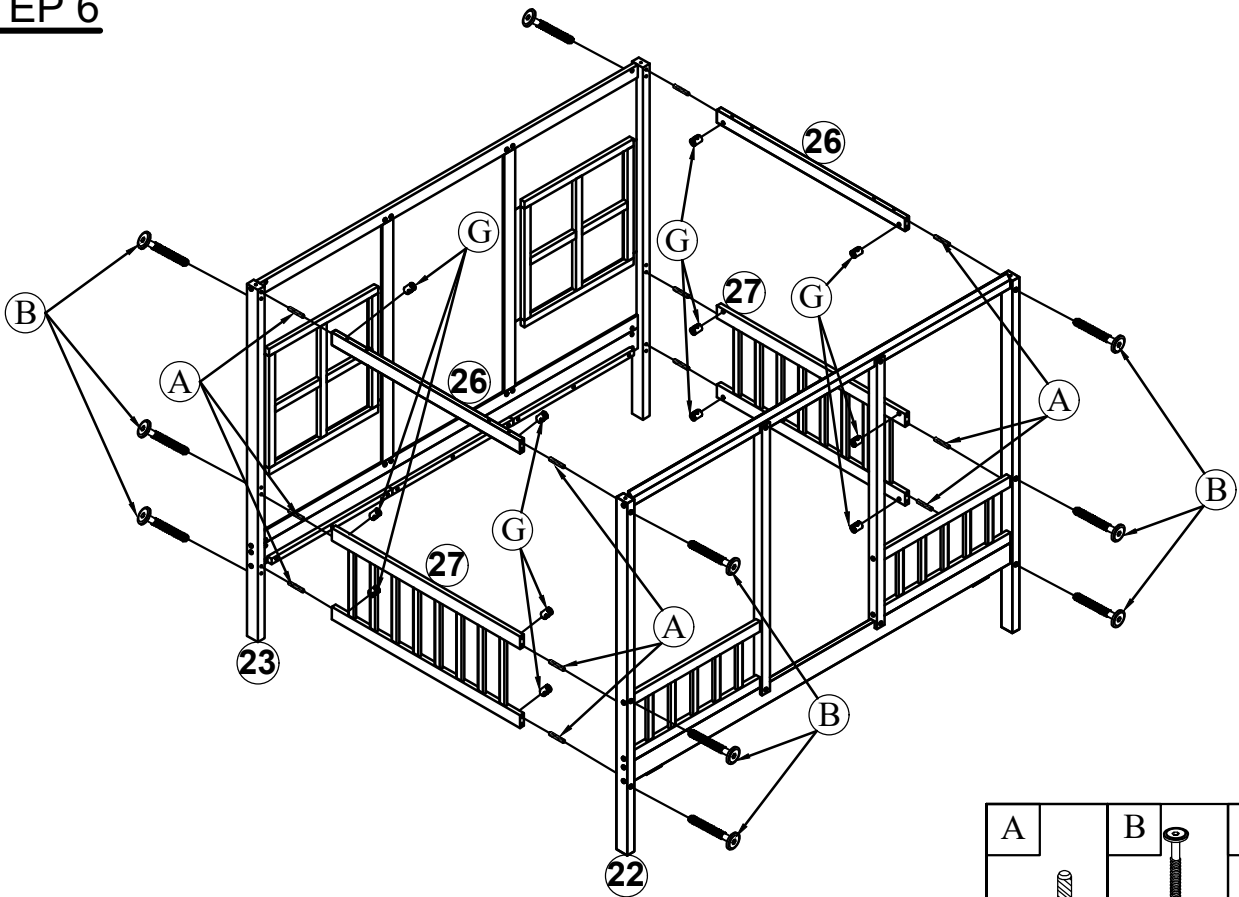
H	F
	
8PCS	8PCS

**STEP 5**



A	C	G
6PCS	8PCS	8PCS

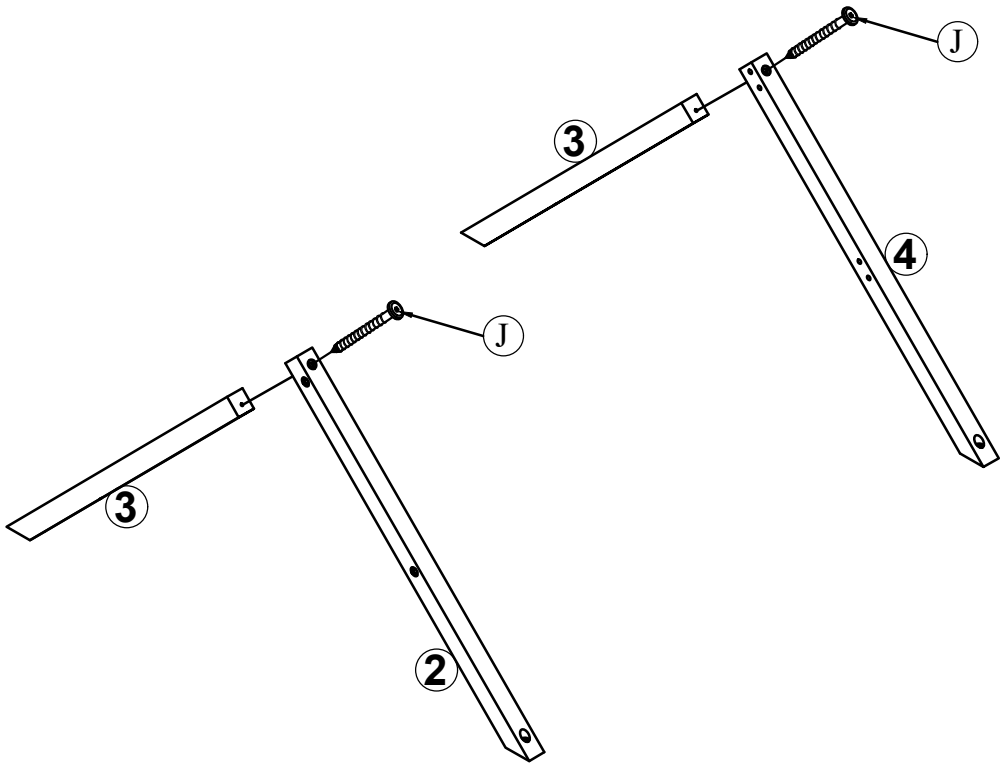
**STEP 6**




A	B	G
12PCS	12PCS	12PCS

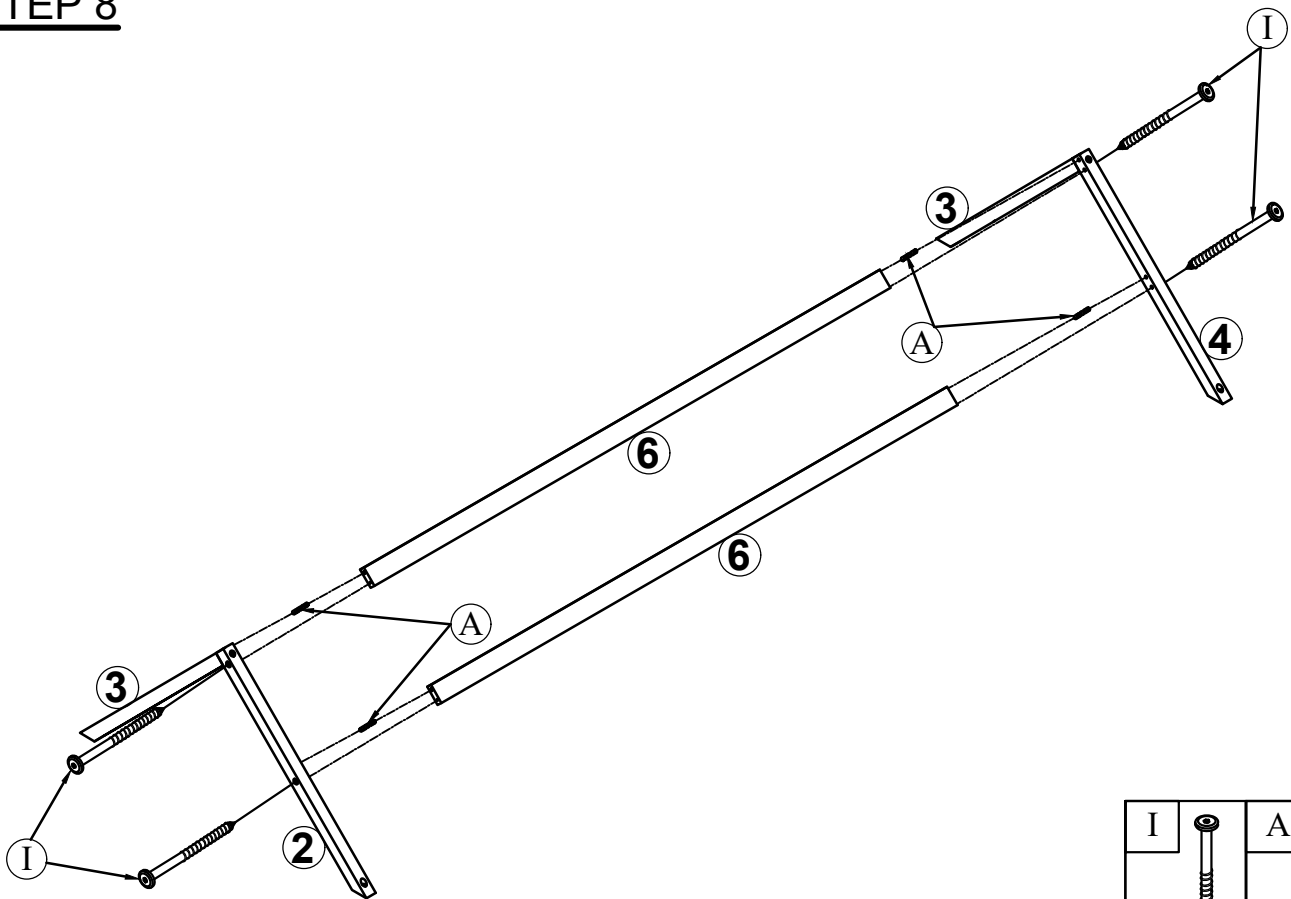




**STEP 7**



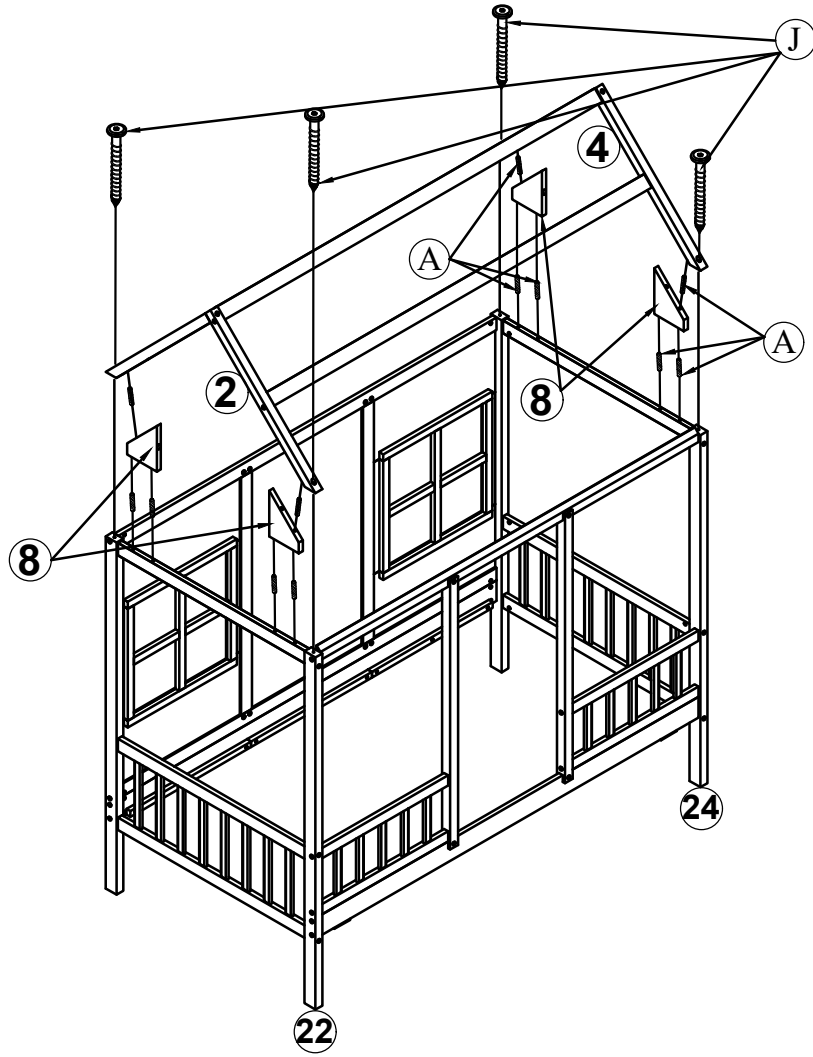
J	
2PCS	



**STEP 8**



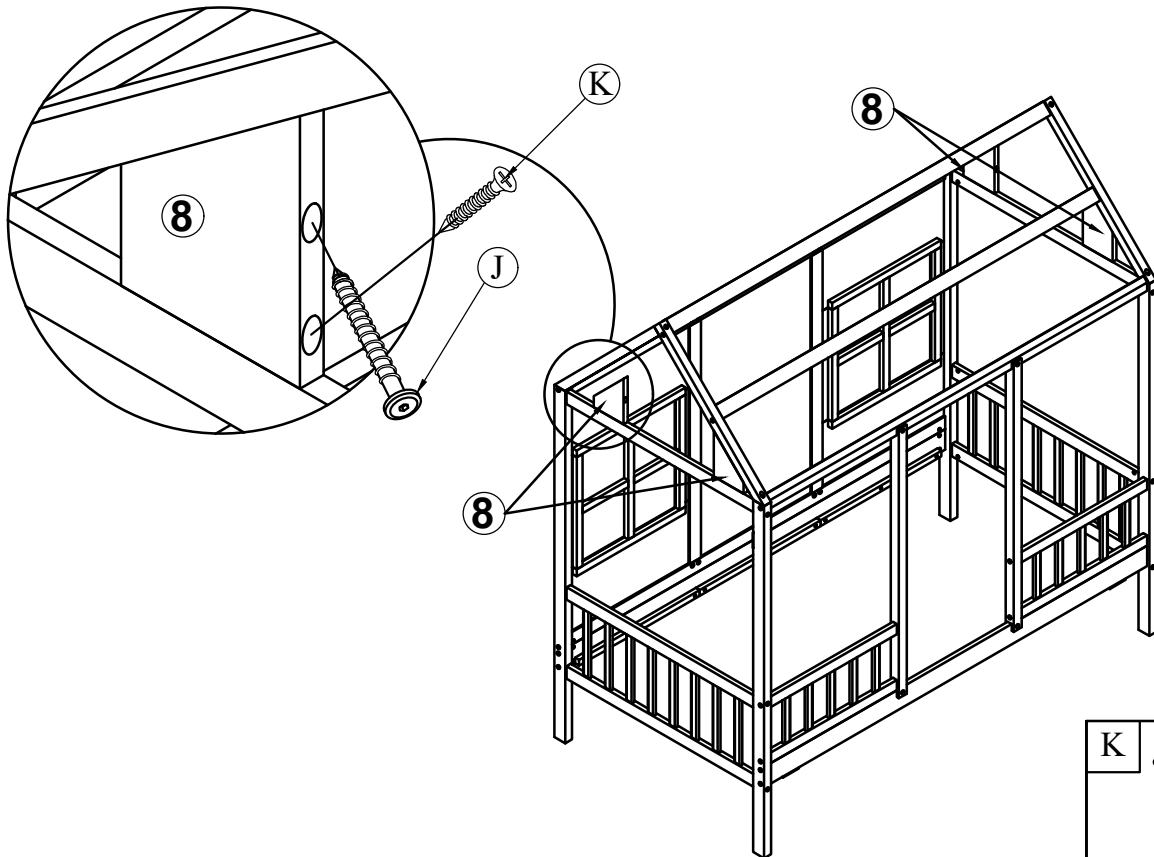
I		A	
4PCS		4PCS	



**STEP 9**



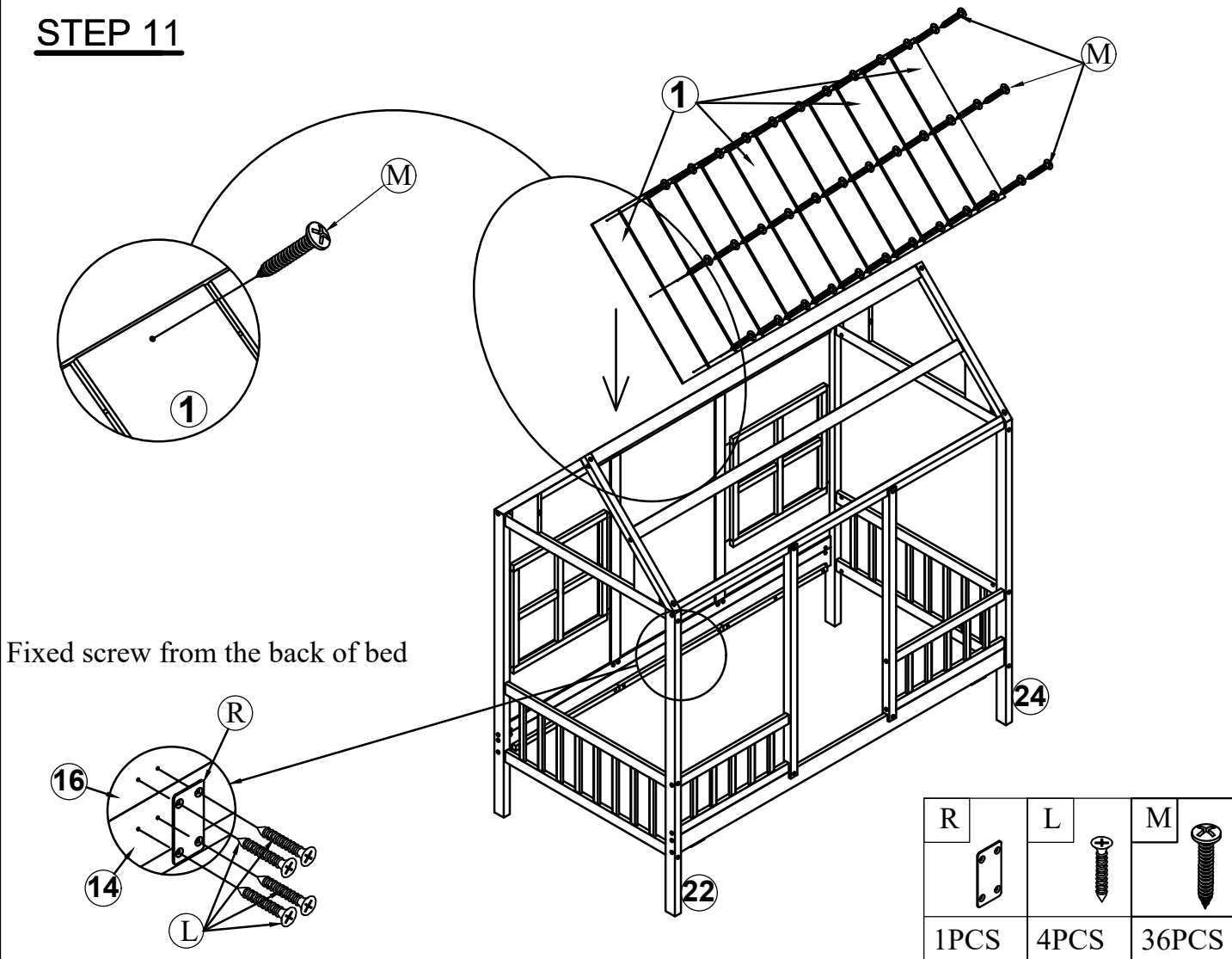
A	J
	
12PCS	4PCS

**STEP 10**

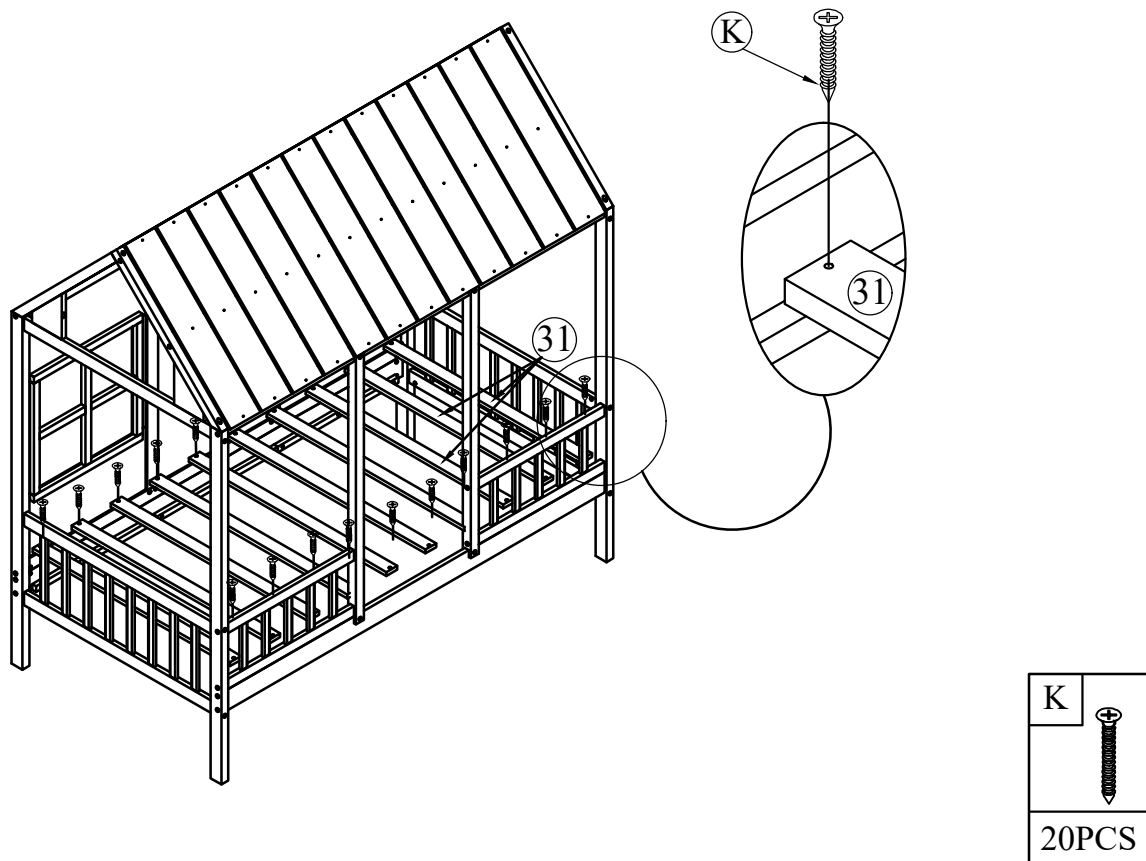


K	J
	
4PCS	4PCS

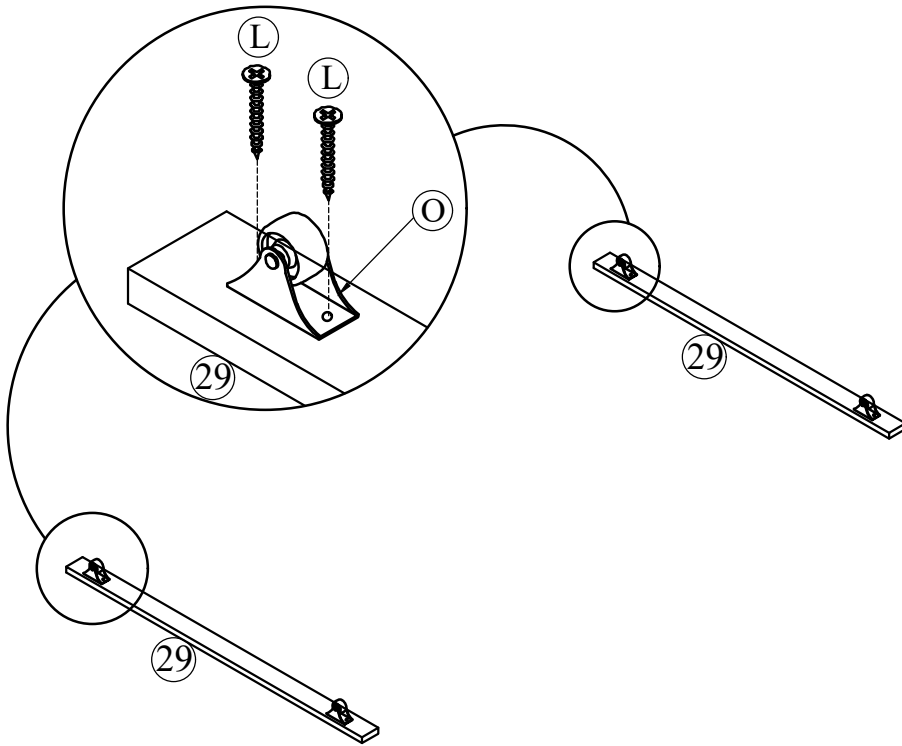
# STEP 11





# STEP 12

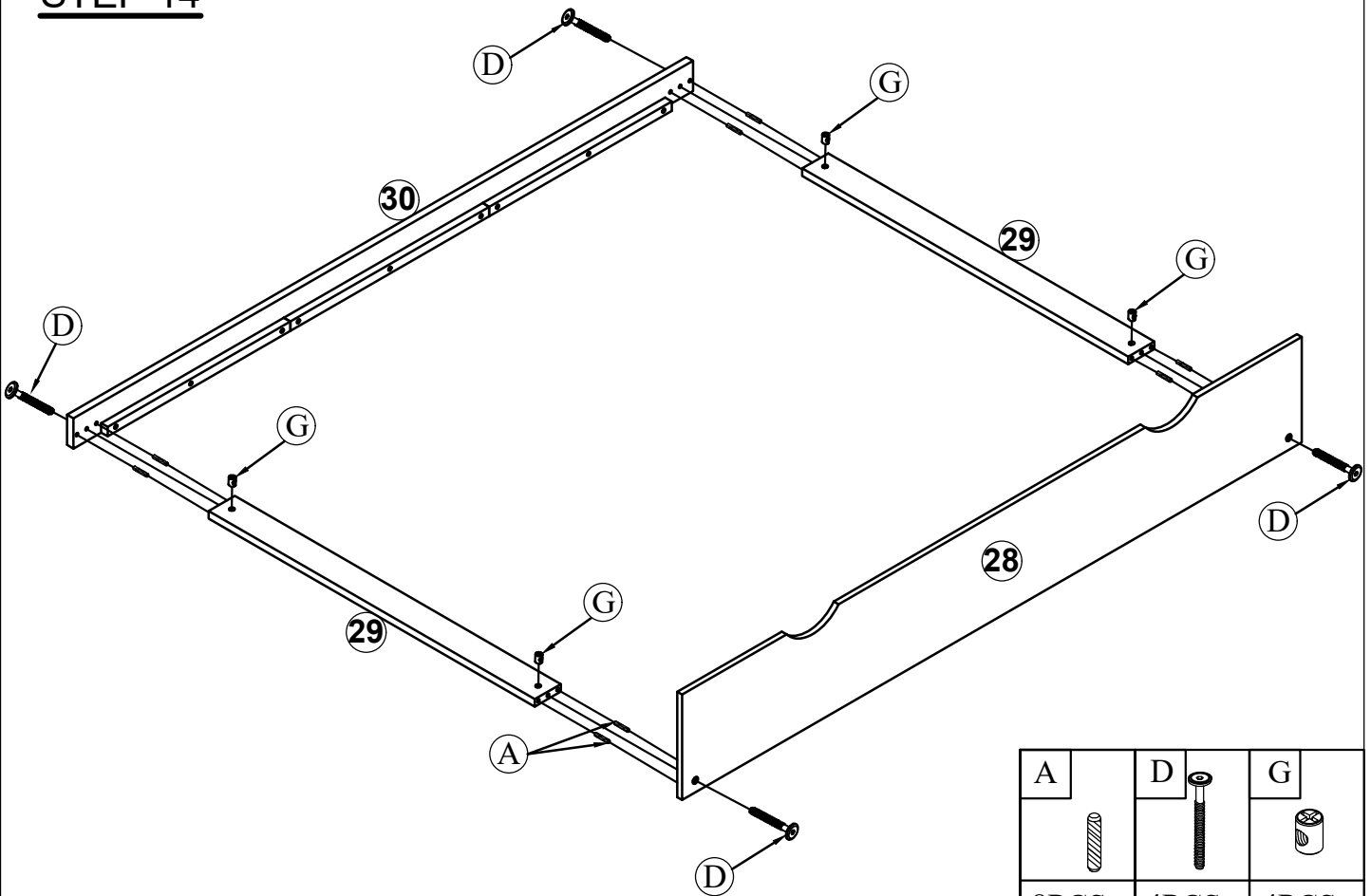





**STEP 13**



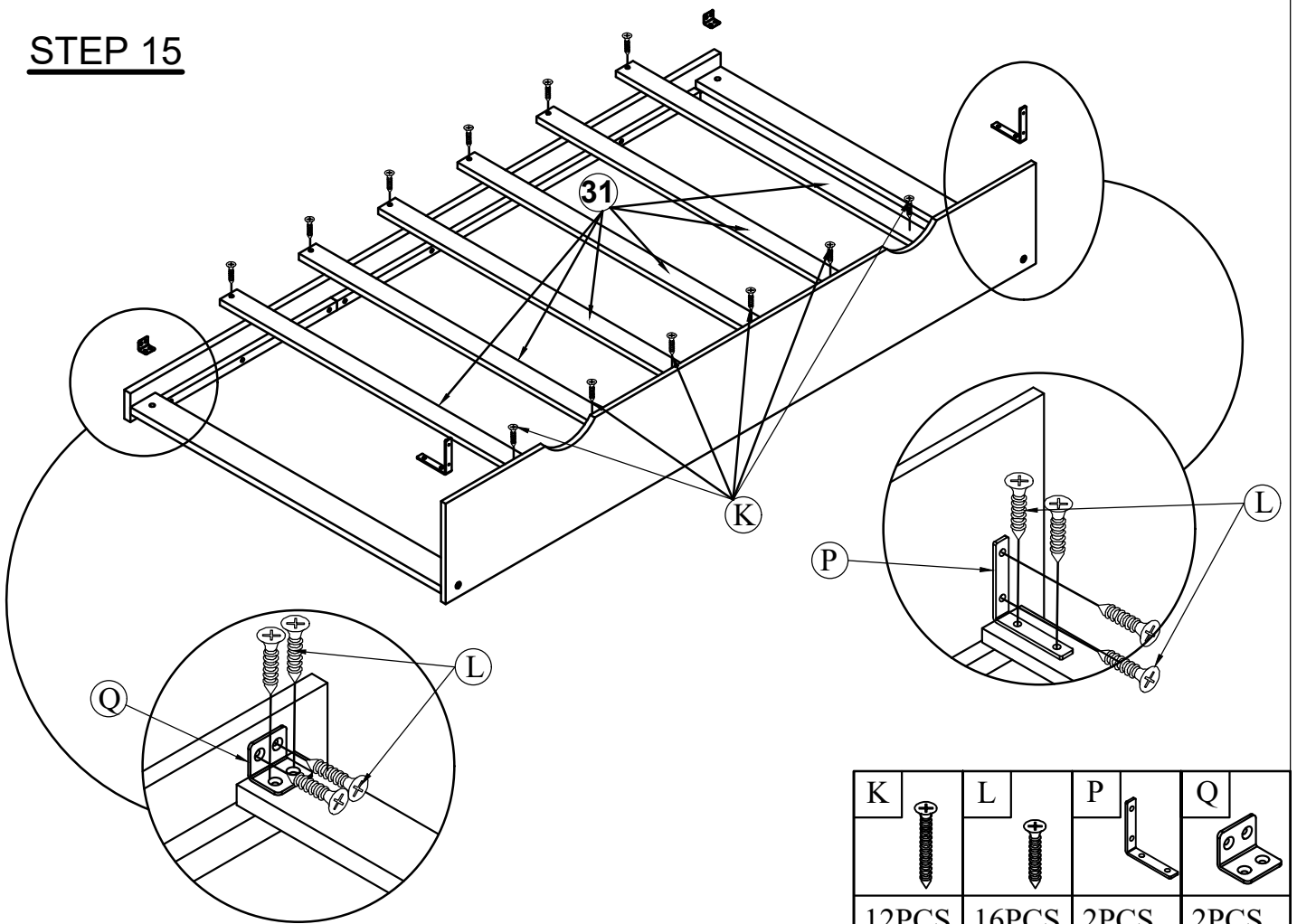
L	O
	
8PCS	4PCS

**STEP 14**



A	D	G
		
8PCS	4PCS	4PCS

# STEP 15



# COMPLETED

