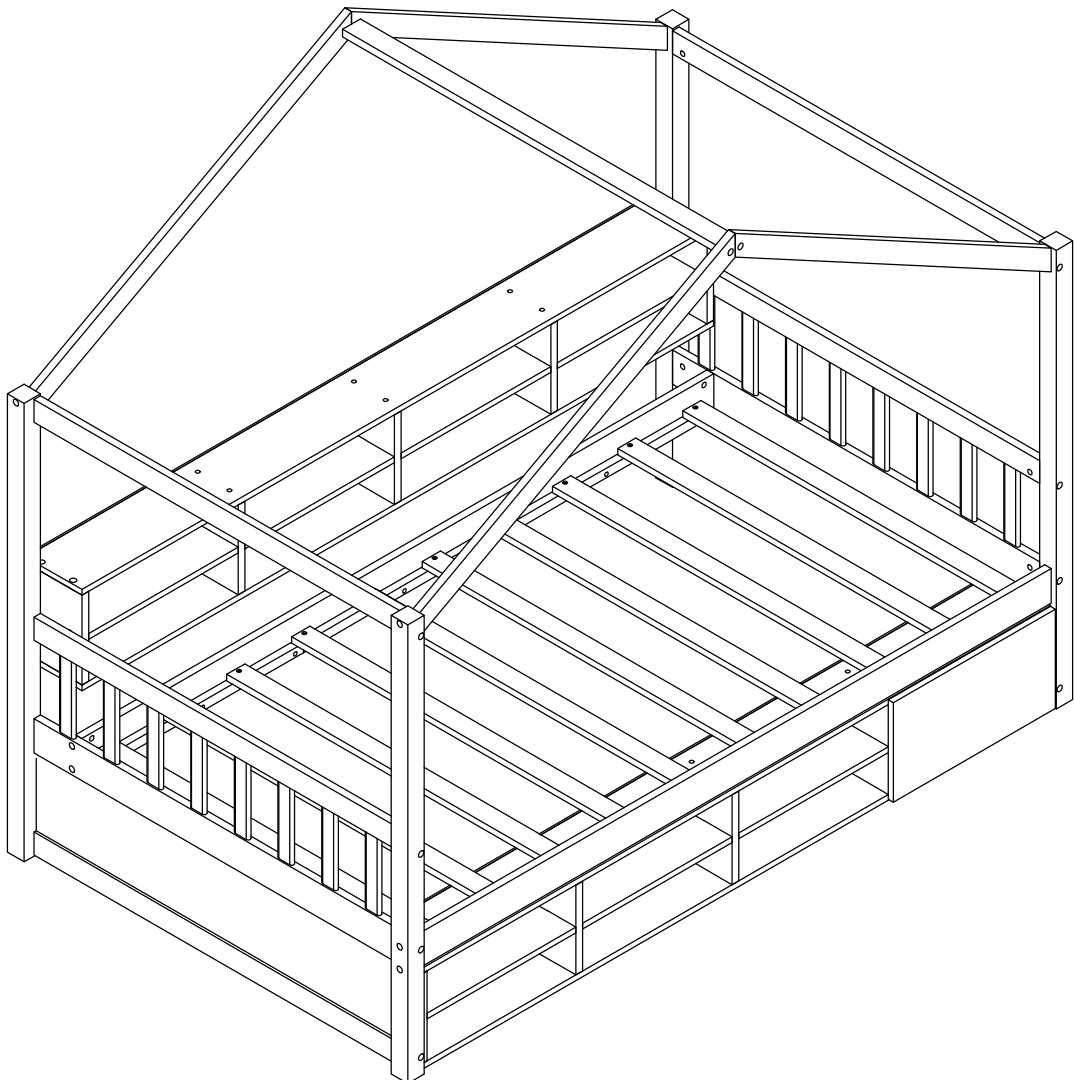


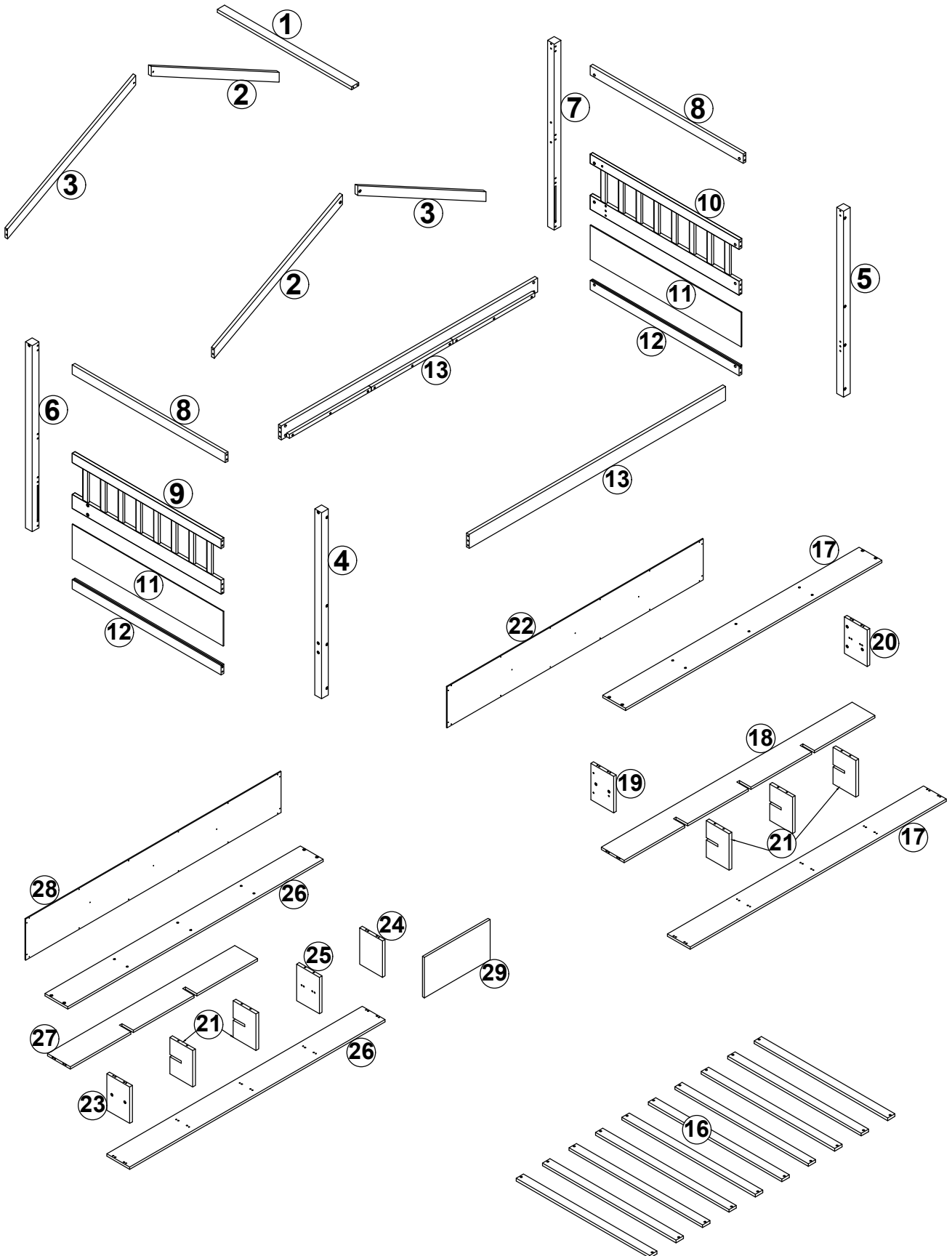
# ASSEMBLY INSTRUCTIONS

WF314719-20 - TWIN BED

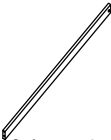

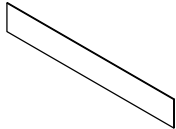
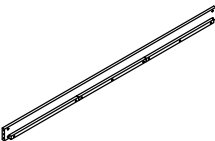
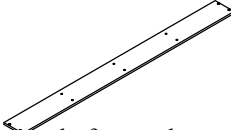
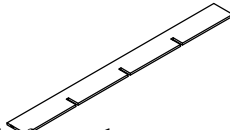


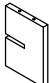

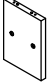


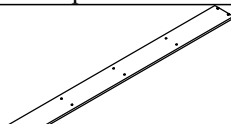
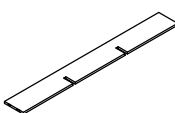
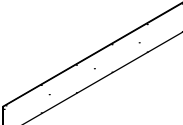
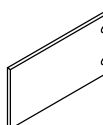


# Detail View

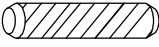






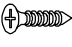
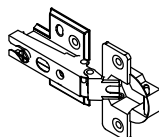


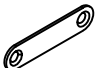
WARNING: Keep small components out of the reach of children








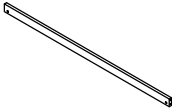
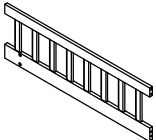
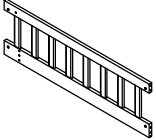

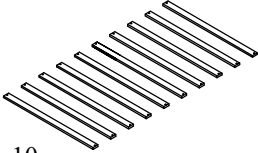
## Part List (WF314719) + Hardware list

<p><b>2</b></p>  <p>Roof cross left bar - 2pcs</p>	<p><b>3</b></p>  <p>Roof cross right bar - 2pcs</p>	<p><b>11</b></p>  <p>Side Panel - 2pcs</p>
<p><b>13</b></p>  <p>Siderails - 2pcs</p>	<p><b>17</b></p>  <p>Top, bottom panel of upper box - 2pcs</p>	<p><b>18</b></p>  <p>Middle panel of upper box - 1pc</p>
<p><b>19</b></p>  <p>Side left panel of upper box - 1pc</p>	<p><b>20</b></p>  <p>Side right panel of upper box - 1pc</p>	<p><b>21</b></p>  <p>Vertical center panel 1 - 5pcs</p>
<p><b>22</b></p>  <p>Back panel of upper box - 1pc</p>	<p><b>23</b></p>  <p>Side left panel of lower box - 1pc</p>	<p><b>24</b></p>  <p>Side right panel of lower box - 1pc</p>
<p><b>25</b></p>  <p>Vertical center panel 2 - 1pc</p>	<p><b>26</b></p>  <p>Top, bottom panel of lower box - 2pcs</p>	<p><b>27</b></p>  <p>Middle panel of lower box - 1pc</p>
<p><b>28</b></p>  <p>Back panel of lower box - 1pc</p>	<p><b>29</b></p>  <p>Door panel of lower box - 1pc</p>	

## Hardware List (WF314719)

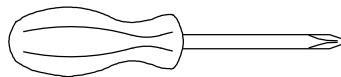
<p><b>A</b></p>  <p>8 X 8 X 30mm. Wooden dowel (72pcs)</p>	<p><b>B</b></p>  <p>Ø1/4" x 85mm Hex-head bolt (20pcs)</p>	<p><b>C</b></p>  <p>Ø1/4" x 30mm Hex-head bolt (14pcs)</p>
<p><b>D</b></p>  <p>Ø1/4" Horizontal-hole bolt (24pcs)</p>	<p><b>E</b></p>  <p>Ø6 x 85mm Hex-Head screw (4pcs)</p>	<p><b>F</b></p>  <p>Ø6 x 50mm Hex-Head screw (20pcs)</p>
<p><b>G</b></p>  <p>#4 x 25mm Screw (44pcs)</p>	<p><b>H</b></p>  <p>#4 x 15mm Screw (54pcs)</p>	<p><b>I</b></p>  <p>Flap hinge (2pcs)</p>
<p><b>J</b></p>  <p>K4mm Allen key (1pc)</p>	<p><b>K</b></p>  <p>Ø1/4" x 55mm Hex-head bolt (4pcs)</p>	<p><b>L</b></p>  <p>1x12x51mm Straight bracket (2pcs)</p>

## Part List (WF314720)

<b>1</b>  Roof bar - 1pc	<b>4</b>  Left front leg - 1pc	<b>5</b>  Right front leg - 1pc
<b>6</b>  Left Back leg - 1pc	<b>7</b>  Right back leg - 1pc	<b>8</b>  Side Top frame - 2pcs
<b>9</b>  Side Middle left frame - 1pc	<b>10</b>  Side Middle right frame - 1pc	<b>12</b>  Side Bottom frame - 2pcs
<b>16</b>  Slats bed - 10pcs		

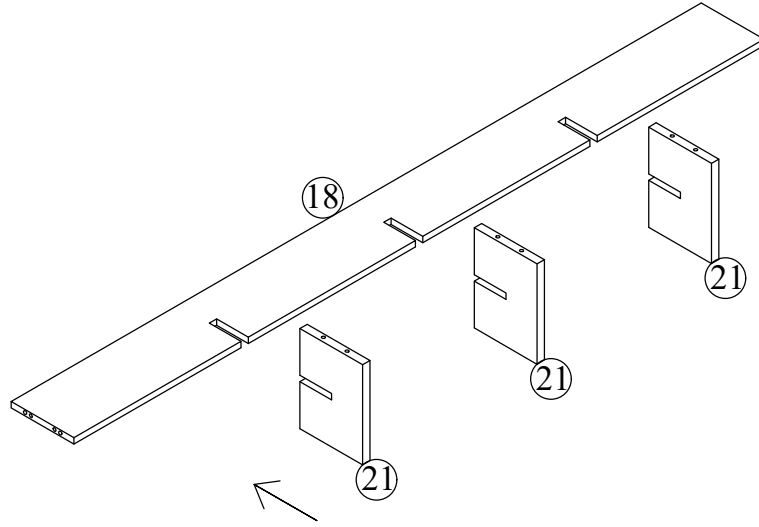
Please sort out all parts before you begin to assembly the item. This is to make sure you always use the correct part.

**ASSEMBLY TOOLS REQUIRED ( NOT INCLUDED )**

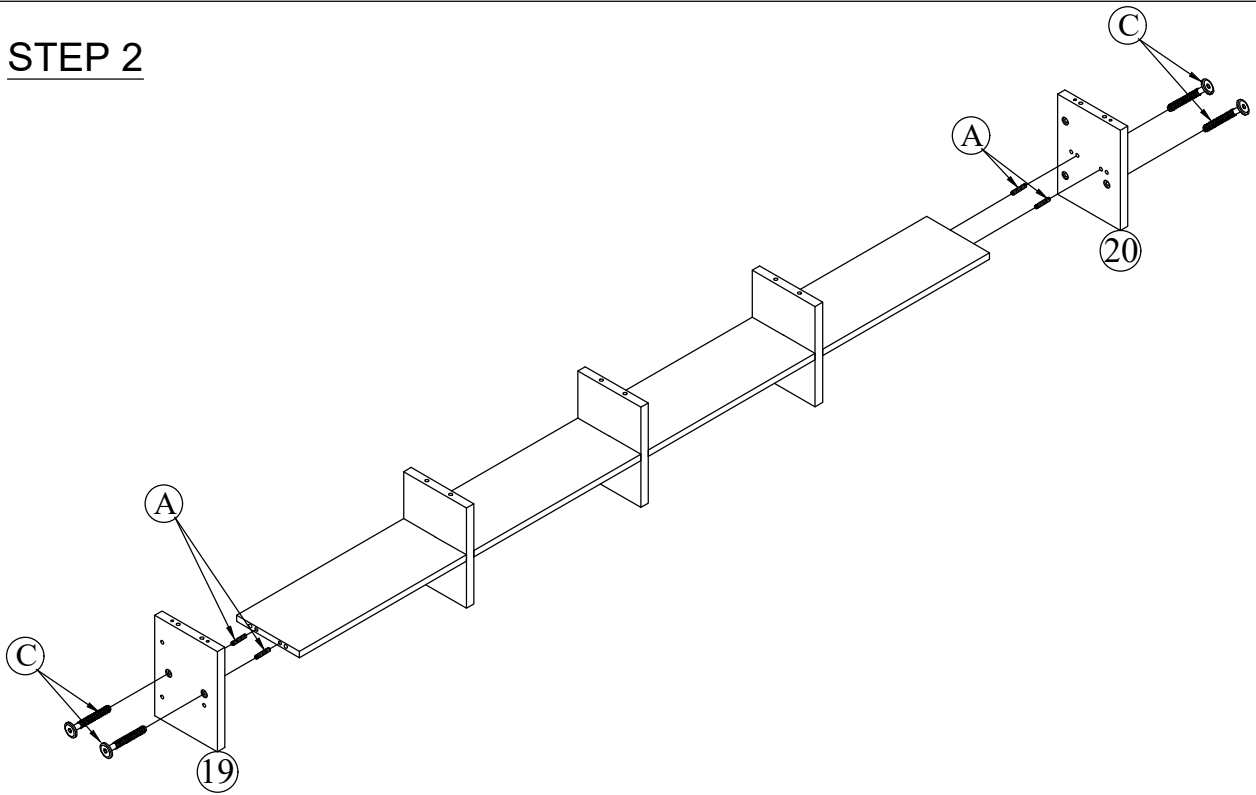




PLEASE BE CAREFUL DO NOT DAMAGE THE HOLE  
POSITION WHEN YOU USE POWER TOOLS !

STEP 1

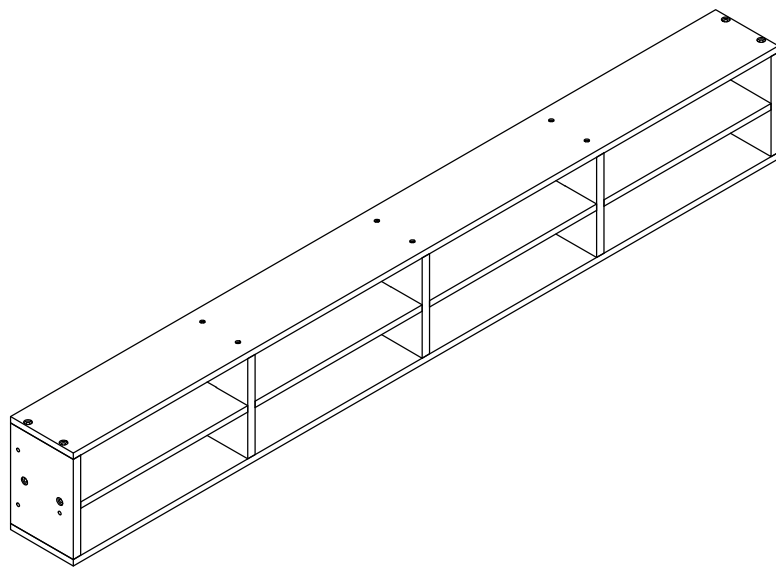
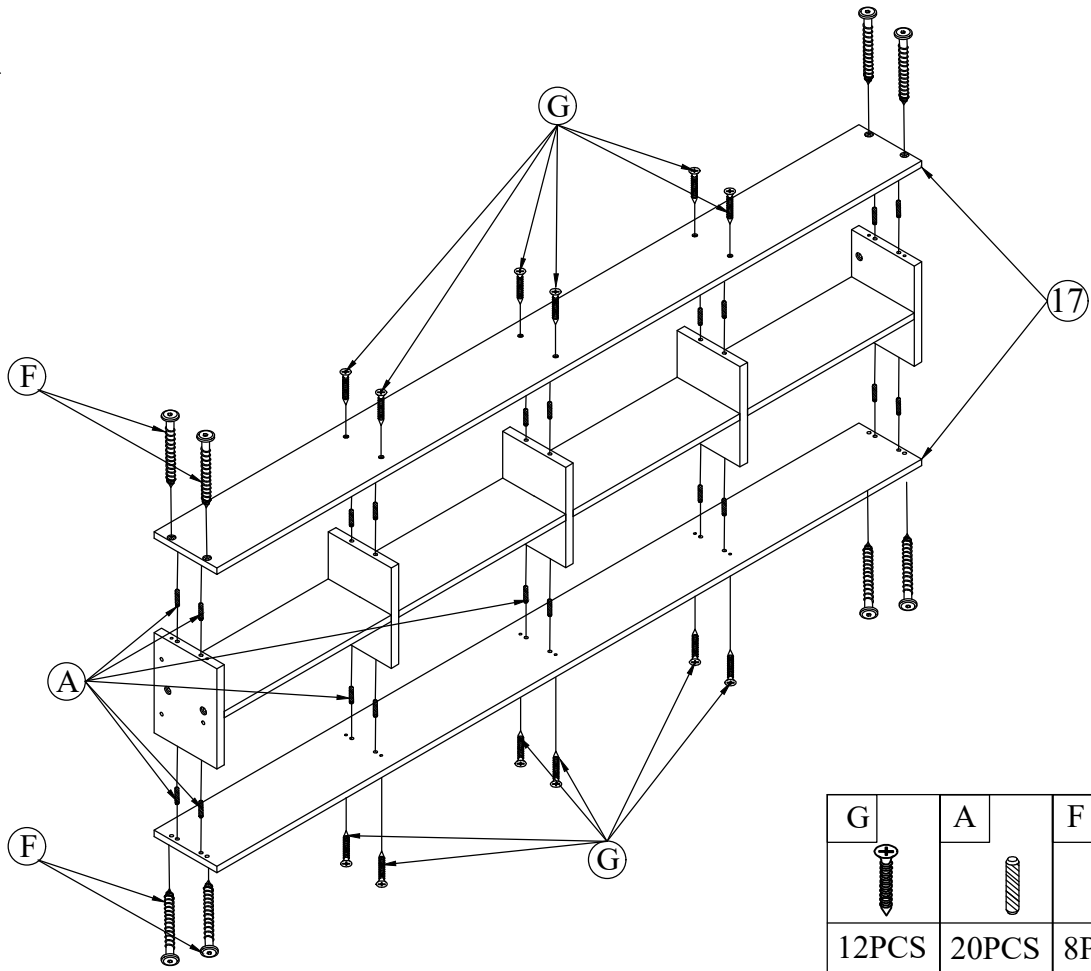


STEP 2



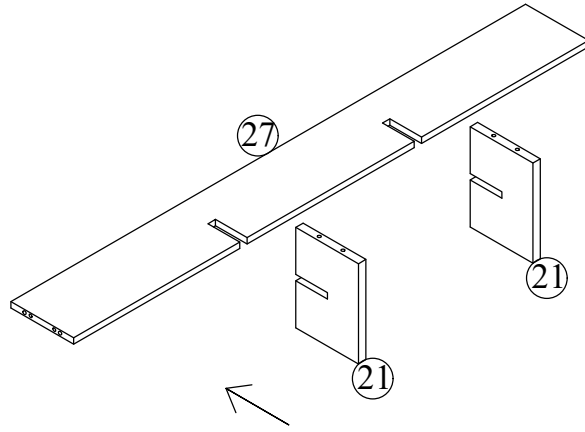
A	C
	
4PCS	4PCS

**STEP 3**

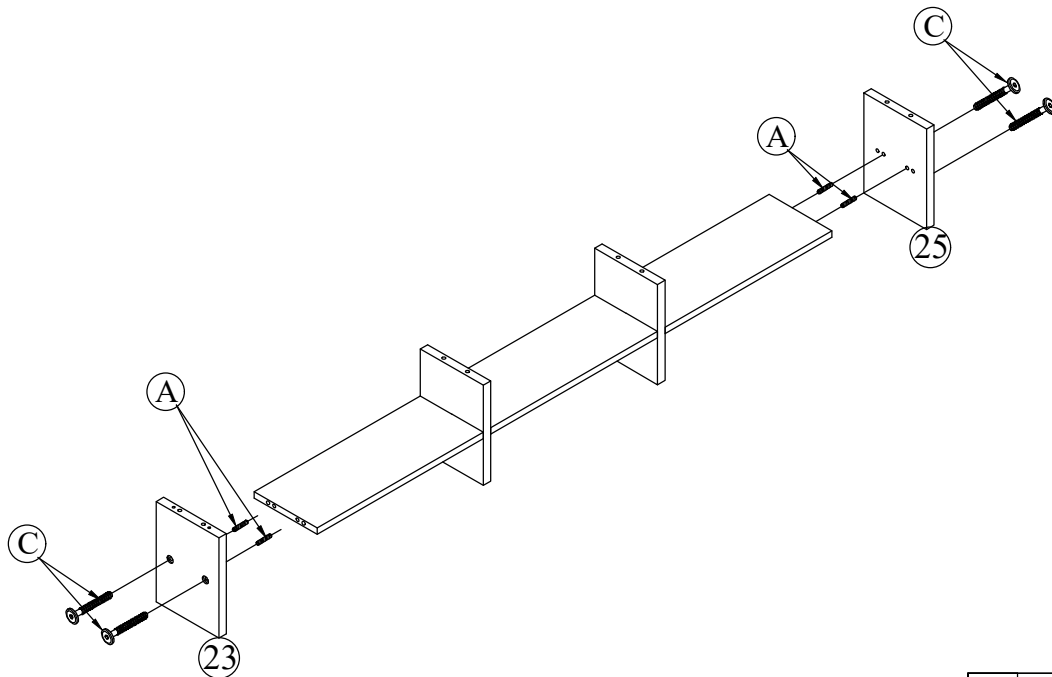




**UPPER BOX**

STEP 4

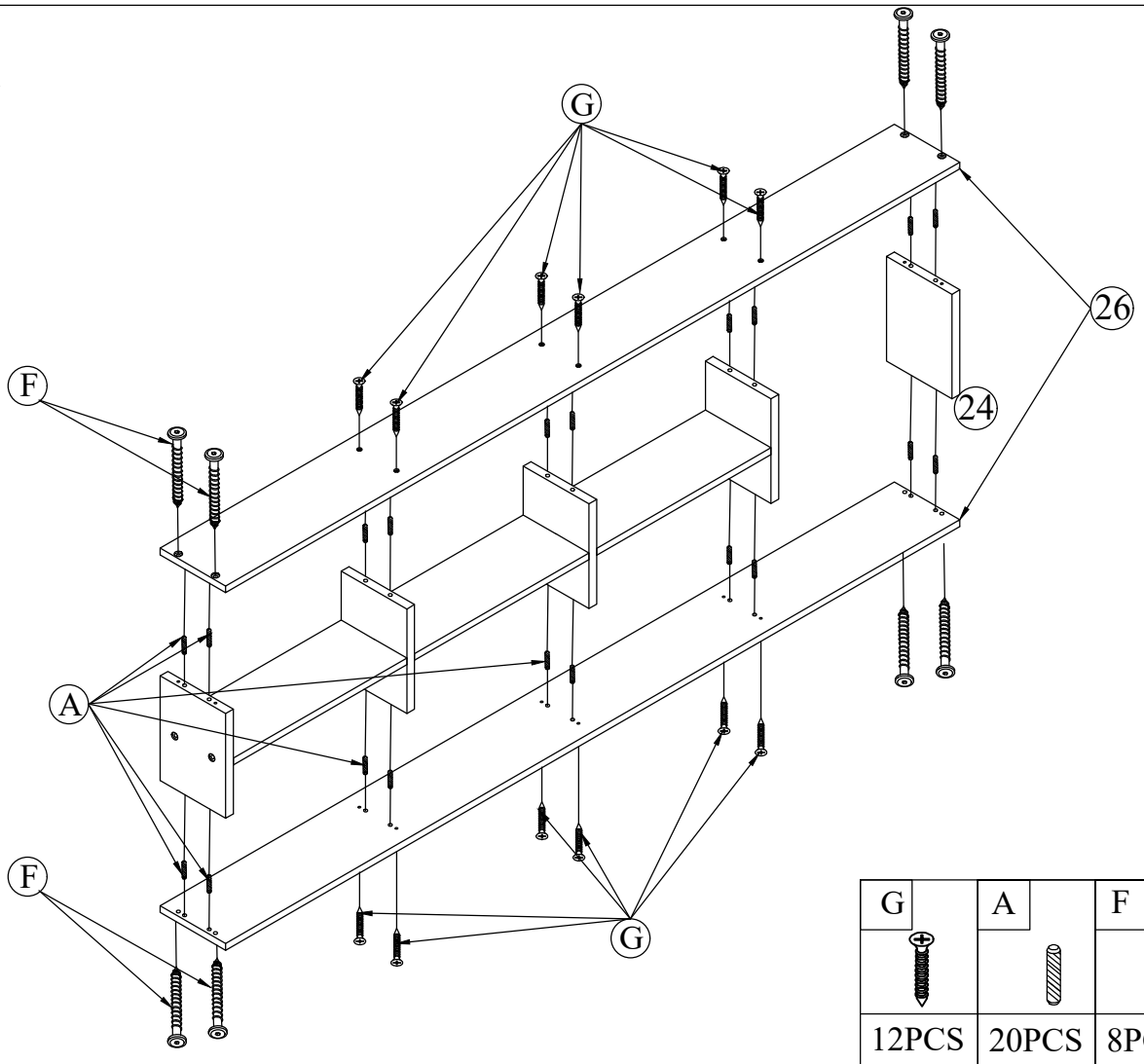


STEP 5



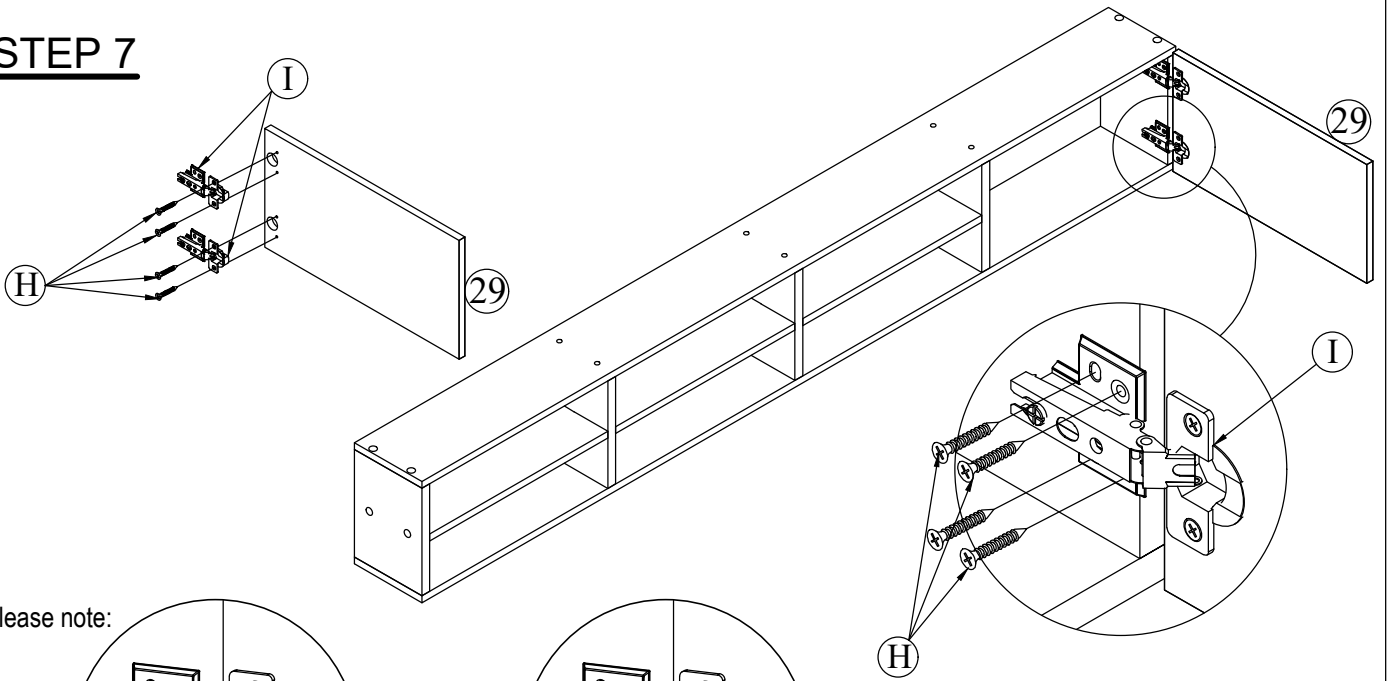
A	C
	
4PCS	4PCS

# STEP 6

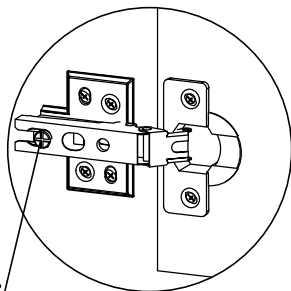
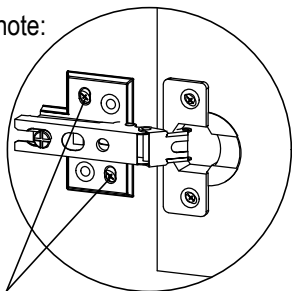


G	A	F
12PCS	20PCS	8PCS

# STEP 7



Please note:



Note 1:

We fixed the screw on oval hole first, so we can adjust the door go up or go down.

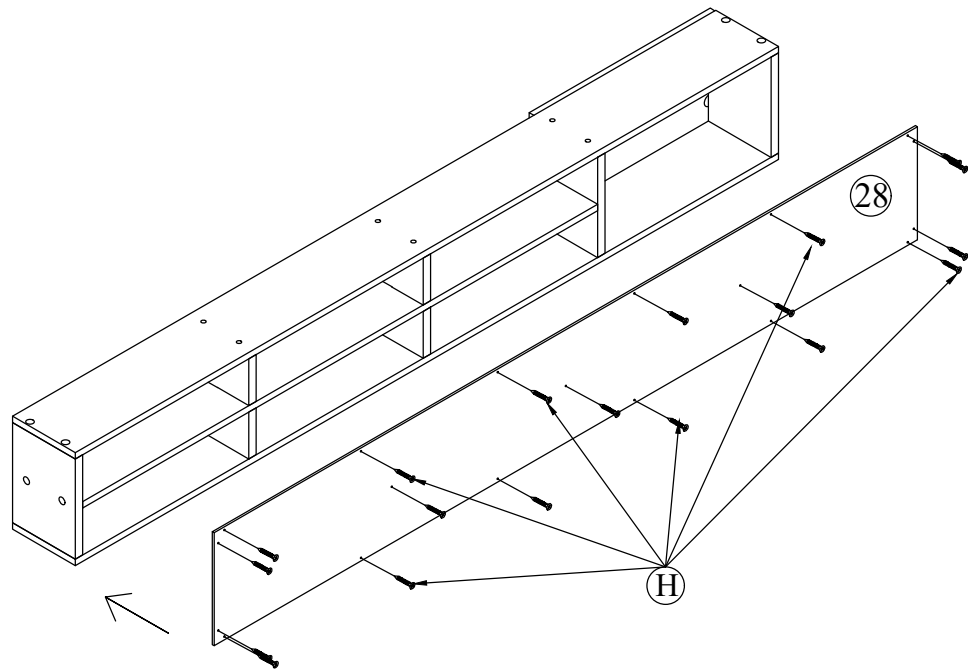
Note 2:


We adjust this bolt if you want to adjust the door go right or go left.

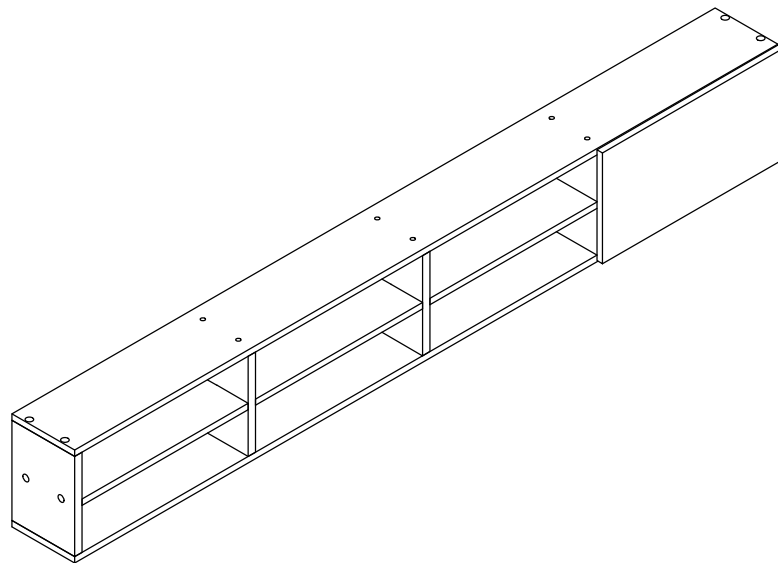
H	I
12PCS	2PCS



STEP 8

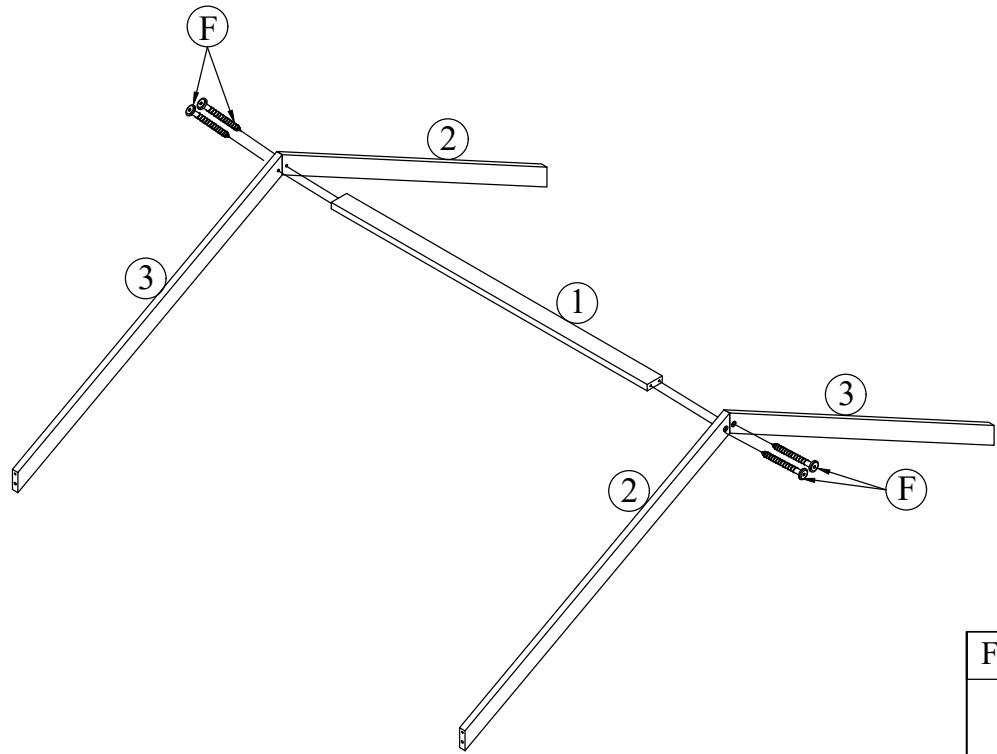



H

19PCS



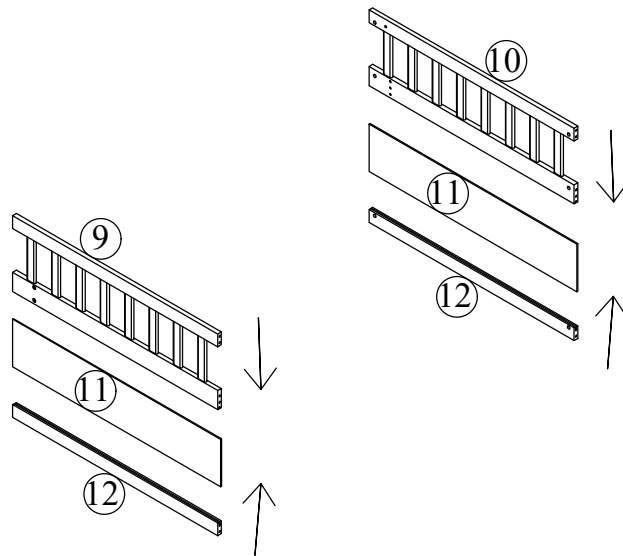
LOWER BOX

STEP 9

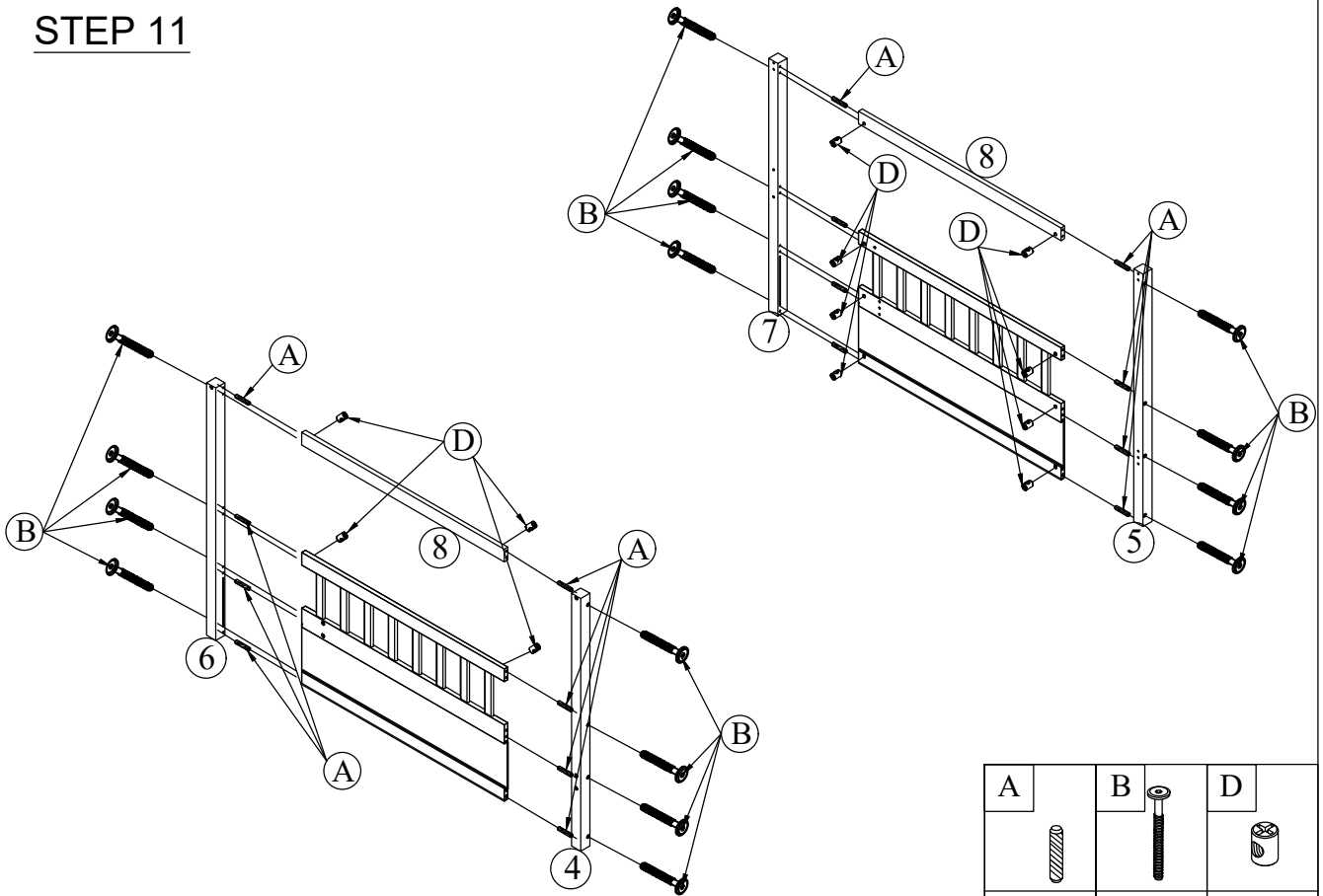


F

4PCS

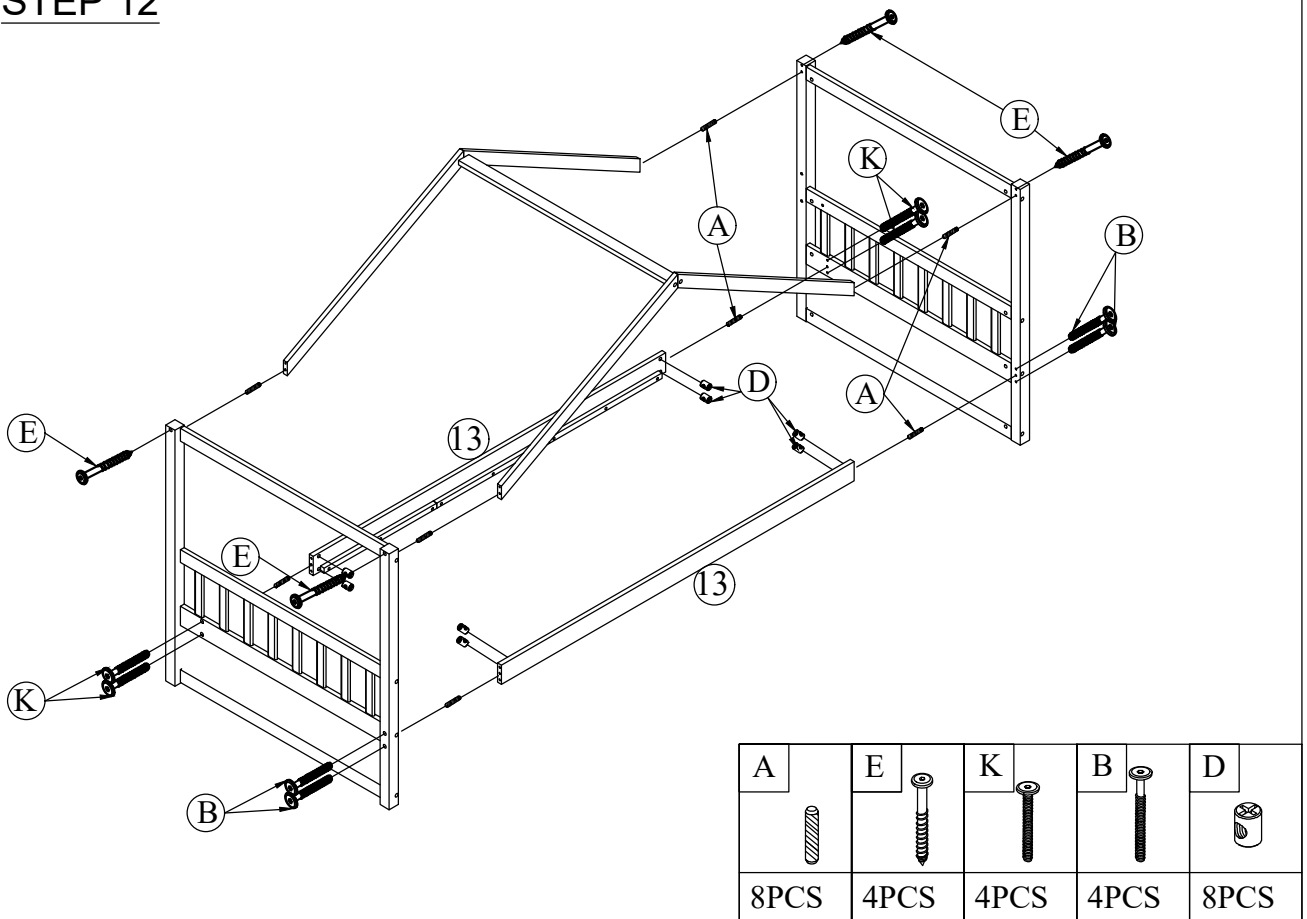
STEP 10



# STEP 11

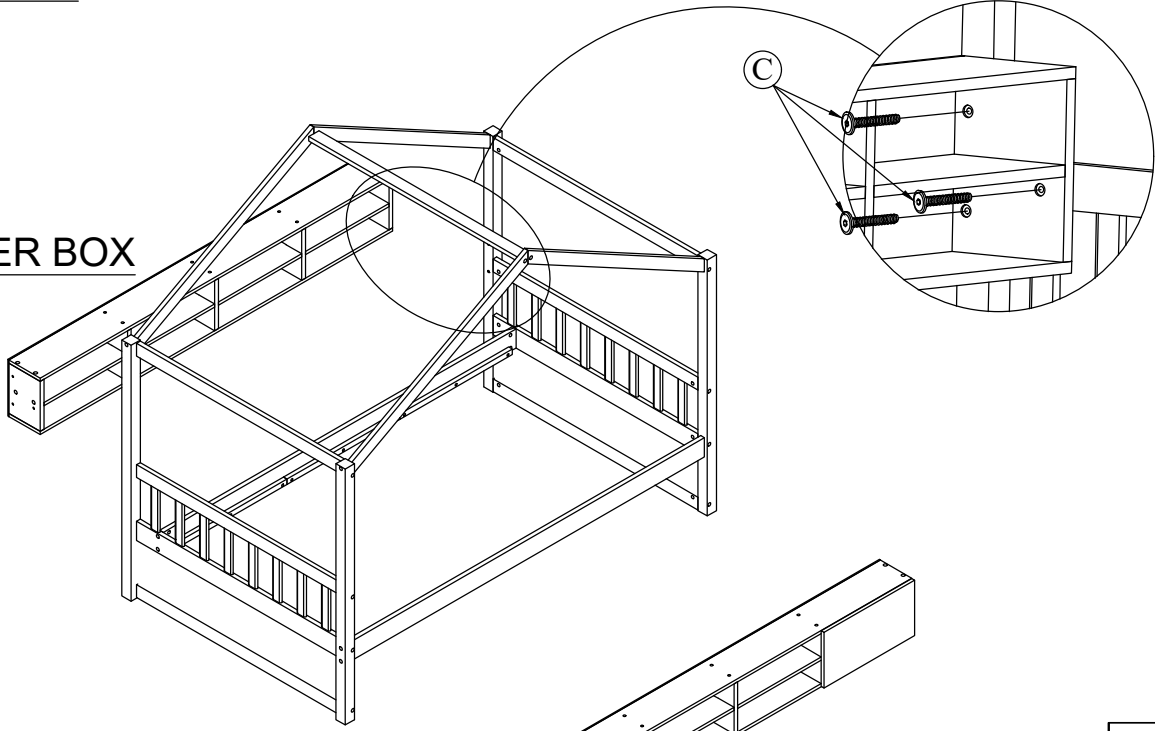


# STEP 12




STEP 13

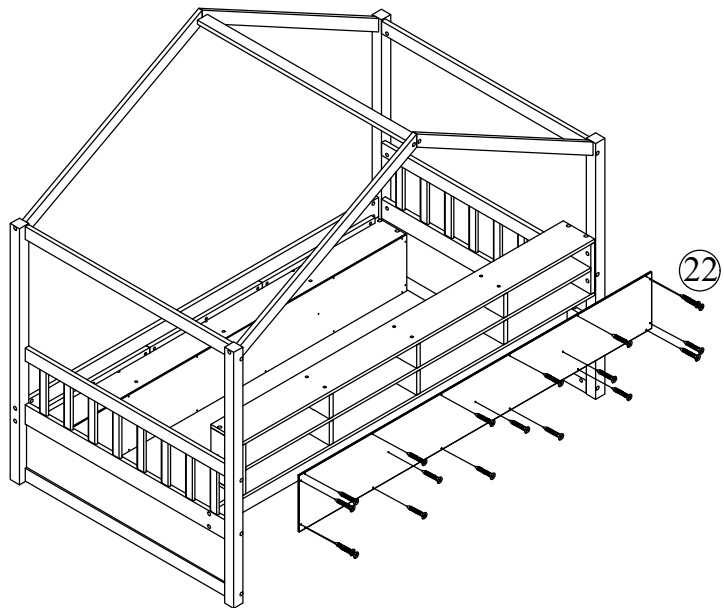
UPPER BOX




LOWER BOX

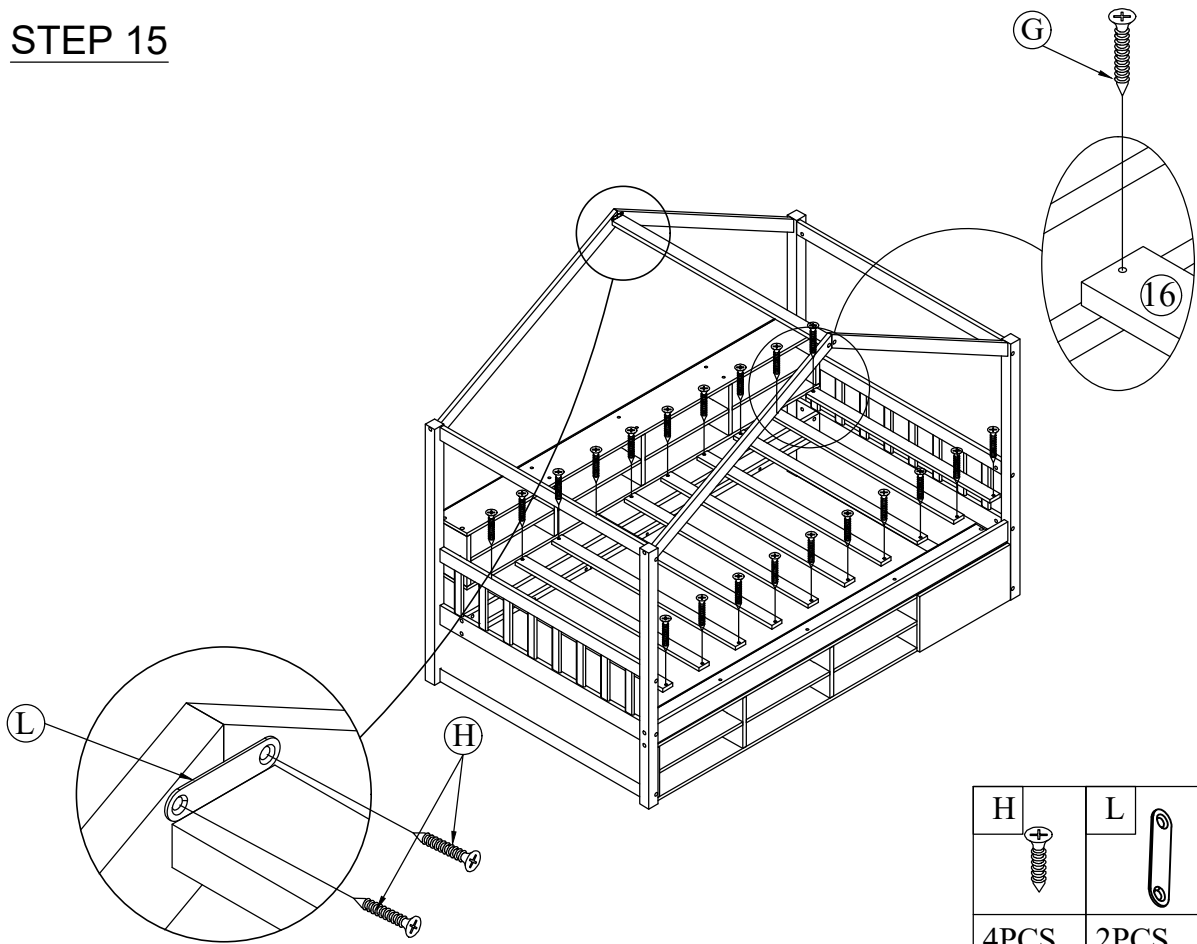
C

6PCS

STEP 14



H

19PCS

# STEP 15



# COMPLETED

