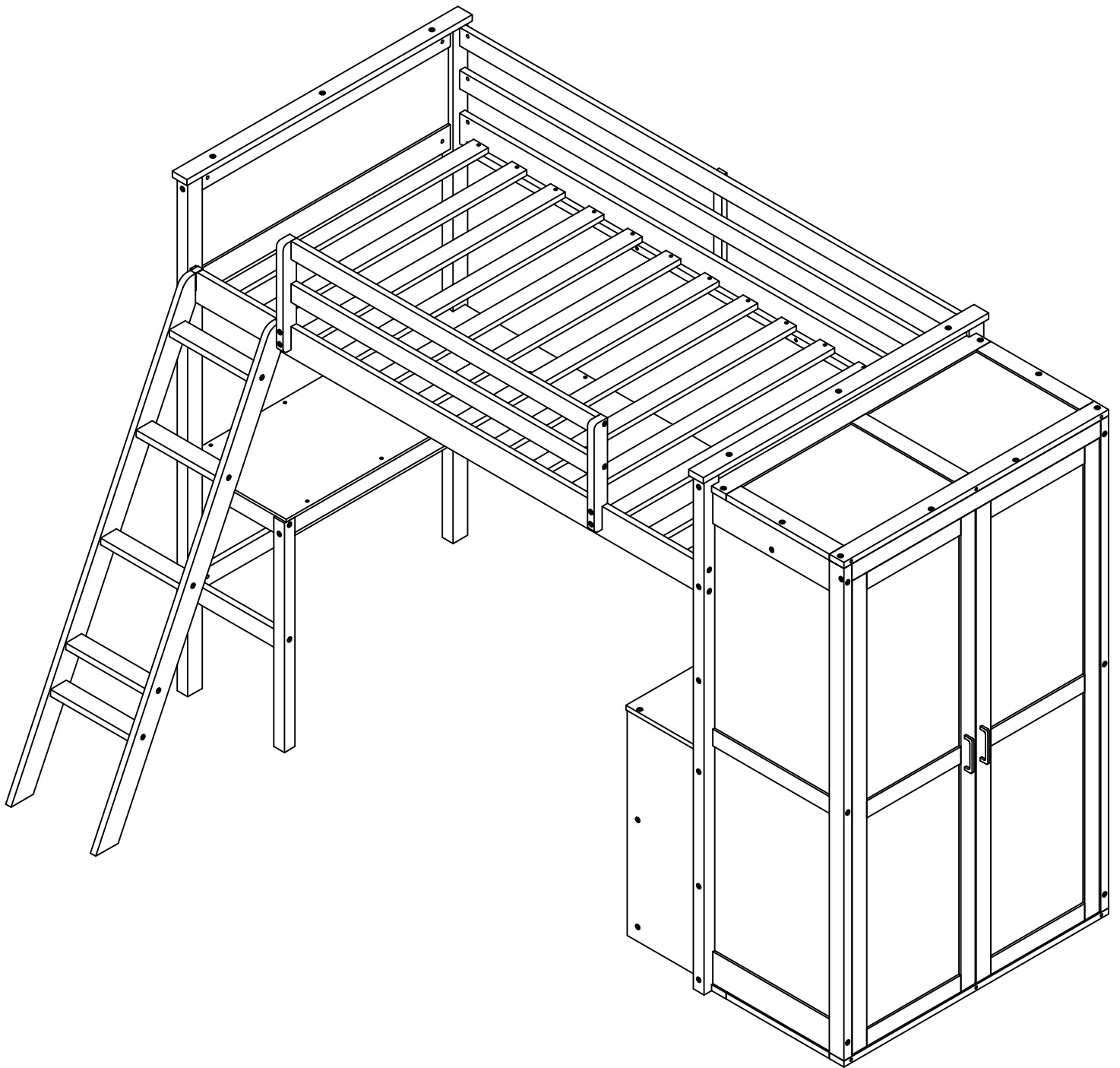


ASSEMBLY INSTRUCTIONS

TWIN BED WITH WAEDROBE



WF313934/WF313935/WF313936

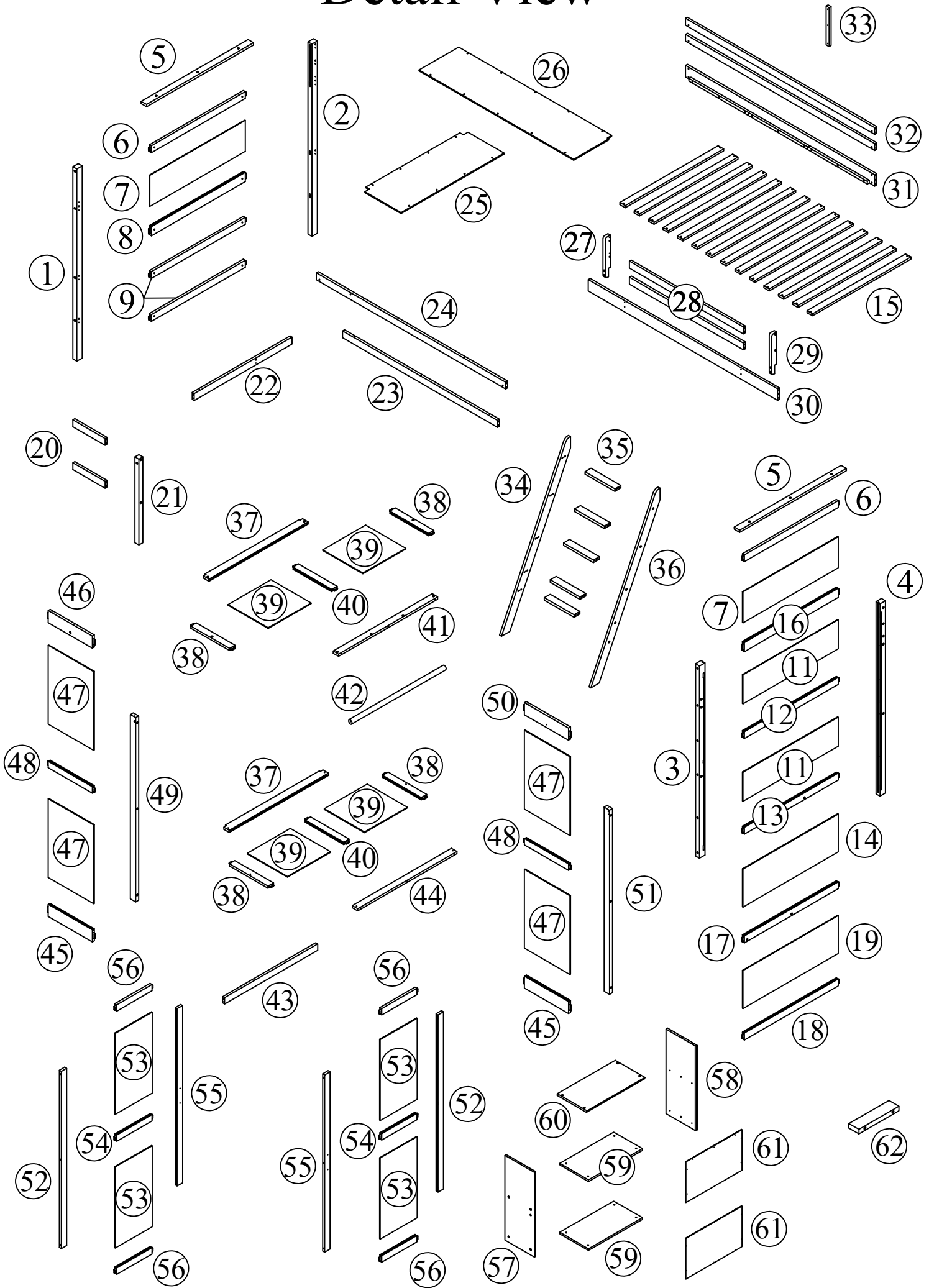
SAFETY WARNINGS

1. This bed is designed for use only mattress(es) meeting the following specifications on the upper bunk.

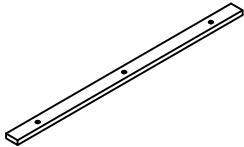
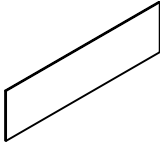
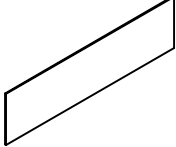
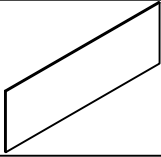
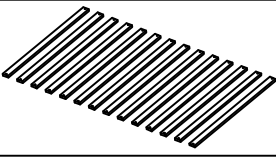
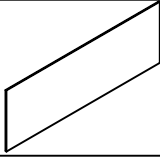
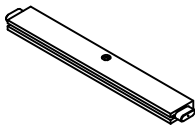
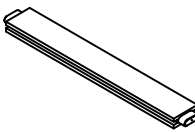
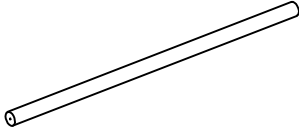

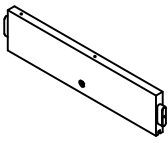
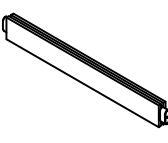
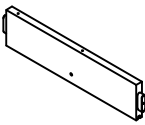
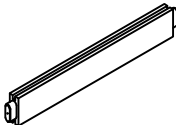
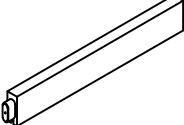
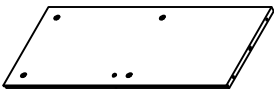

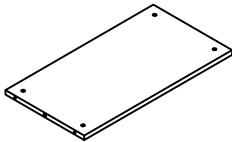
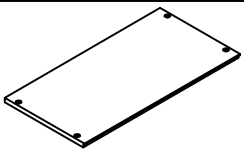
Bed Type	Length	Width	Thickness
Twin Standard	74" - 75"	38 1/2"	6"

2. Replacement parts, including additional guardrails, may be obtained from any of our (GIGACLOUD TECHNOLOGY (USA) INC . 18961 ARENTH AVENUS CITY OF INDUSTRY, CA, 91748) dealers
3. Follow the information on the warnings appearing on the upper bunk bed end structure and on the carton. Do not remove warning label from bed.
4. Always use the recommended size mattresses or mattress supports, or both, to help prevent the likelihood of entrapment or falls.
5. Surface of the mattress must be at least 5 in. (127 mm) below the upper edge of guardrails.
6. Do not allow children under 6 years of age to use the upper bunk.
7. Periodically check and ensure that the guardrail, ladder, and other components are in their proper position, free from damage, and that all connectors are tight.
8. Do not allow horseplay on or under the bed and prohibit jumping on the bed
9. Always use the ladder for entering and leaving the upper bunk.
10. Do not use substitute parts. Contact the manufacturer or dealer for replacement parts.
11. Use of a night light may provided added safety precaution for a child using the upper bunk.
12. Always use guardrails on both long sides of the upper bunk. If the bunk bed will be placed next to the wall, the guardrail that runs the full length of the bed should be placed against the wall to prevent entrapment between the bed and wall.
13. The use of water or sleep flotation mattresses is prohibited.
14. **STRANGULATION HAZARD** – Never attach or hang items to any part of the bunk bed that are not designed for use with the bed; for example, but not limited to, hook, belts and jump ropes.
15. Keep these instructions for future reference
16. Prohibit more than one person on upper bunk
17. We recommend assembling your bunk bed on a shipping carton to protect your floor or carpet
18. Be certain all staples are out of the box before beginning assembly on the shipping carton

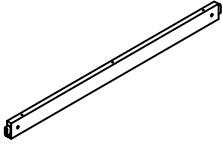
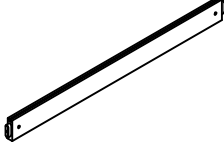
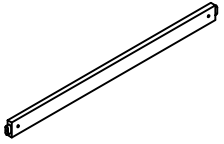
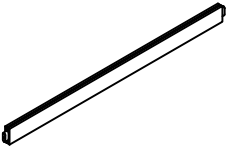
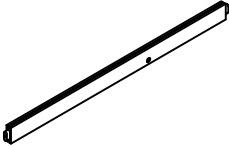
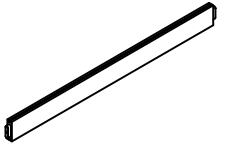
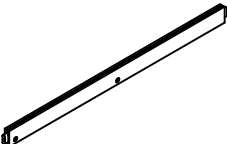
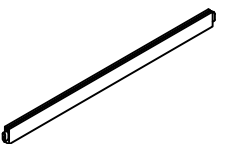
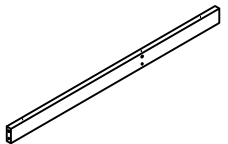

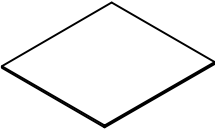
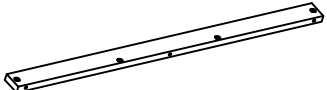
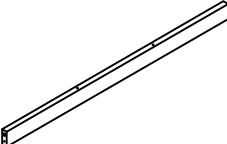
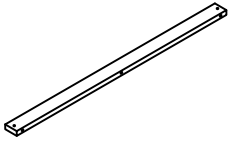
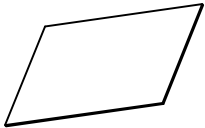
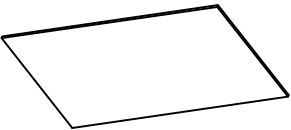
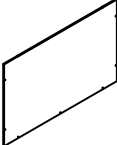
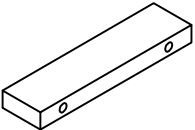
Detail View



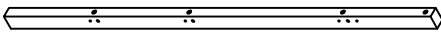
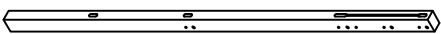
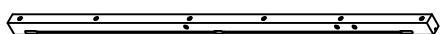

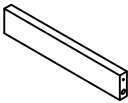
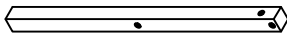
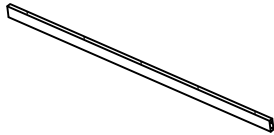
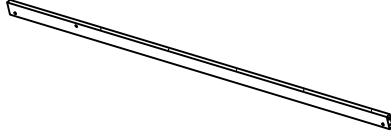
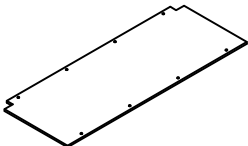
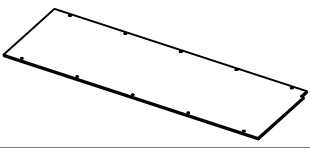

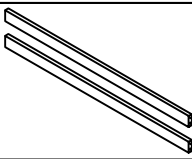


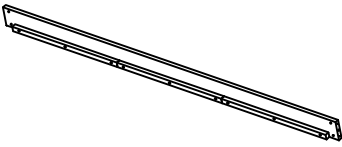

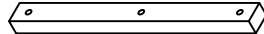
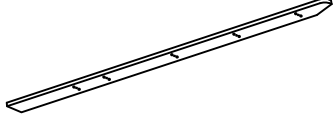
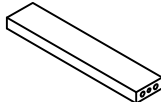
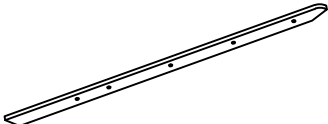
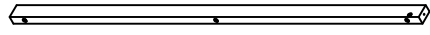
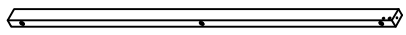

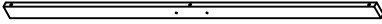
Part Lists : WF313936

5		7		11	
Beam brace - 2pcs		Panel (L-R) - 2pcs		Small panel (right) - 2pcs	
14		15		19	
Large panels (right) - 1ps		Slats - 14pcs		Large panels (right) - 1pc	
38		40		42	
Groove beam - 4pcs		Middle groove beam - 2pcs		Hanger bar - 1pc	
45		46		48	
Short beam - 2pcs		Short beam - 1pc		Middle beam - 2pcs	
50		54		56	
Short beam - 1pc		Middle beam - 2pcs		Short beam (T-B) - 4pcs	
57		58		59	
Panel (left) - 1pc		Panel (right) - 1pc		Middle panel - 2pcs	
60					
Top panel - 1pc					

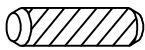





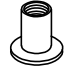
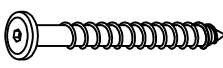

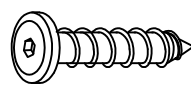

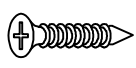

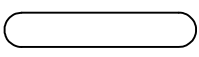
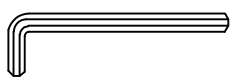
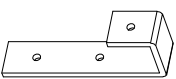
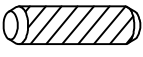
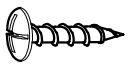
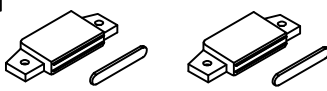
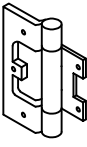
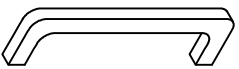


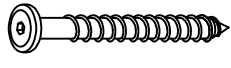

Part Lists : WF313935

6		8		9	
Crossbar (L-R) - 2pcs		Large crossbar (left) - 1pc		Crossbar (left) - 2pcs	
12		13		16	
Crossbar (right) - 1pc		Crossbar 3 hole (right) - 1pc		Large crossbar (right) - 1pc	
17		18		22	
Crossbar 4 hole (right) - 1pc		Crossbar (right) - 1pc		Vertical beam - 1pc	
37		39		41	
Long groove beam - 2pcs		Panel - 4pcs		Crossbar - 1pc	
43		44		47	
Crossbar - 1pc		Crossbar - 1pc		Panel - 4pcs	
53		61		62	
Panel - 4pcs		Back panel - 2pcs		Support tree - 1pc	

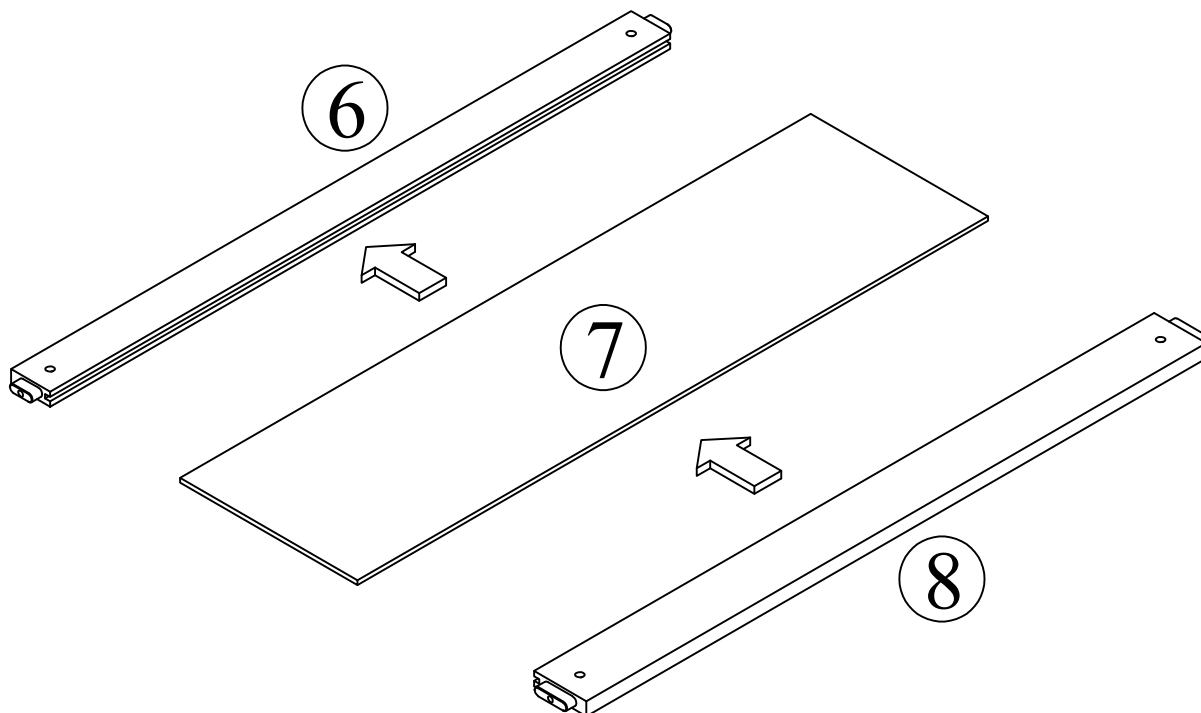
Part Lists : WF313934

1		2		3	
Front leg (left) - 1pc		Hind leg (left) - 1pc		Front leg (right) - 1pc	
4		20		21	
Hind leg (right) - 1pc		Short horizontal bar - 2pcs		Extra leg - 1pc	
23		24		25	
Crossbar - 1pc		Crossbar - 1pc		Shelf plate - 1pc	
26		27		28	
Shelf plate - 1pc		Beam brace (left) - 1pc		Crossbar - 2pcs	
29		30		31	
Beam brace (right) - 1pc		Shoulder bed (front) - 1pc		Shoulder bed (back) - 1pc	
32		33		34	
Long crossbar - 2pcs		Beam brace - 1pc		Foot of the stairs (left) - 1pc	
35		36		49	
Stair bar - 5pcs		Foot of the stairs (right) - 1pc		Crossbar - 1pc	
51		52		55	
Crossbar - 1pc		Long beam (L-R) - 2pcs		Long beam (L-R) - 2pcs	

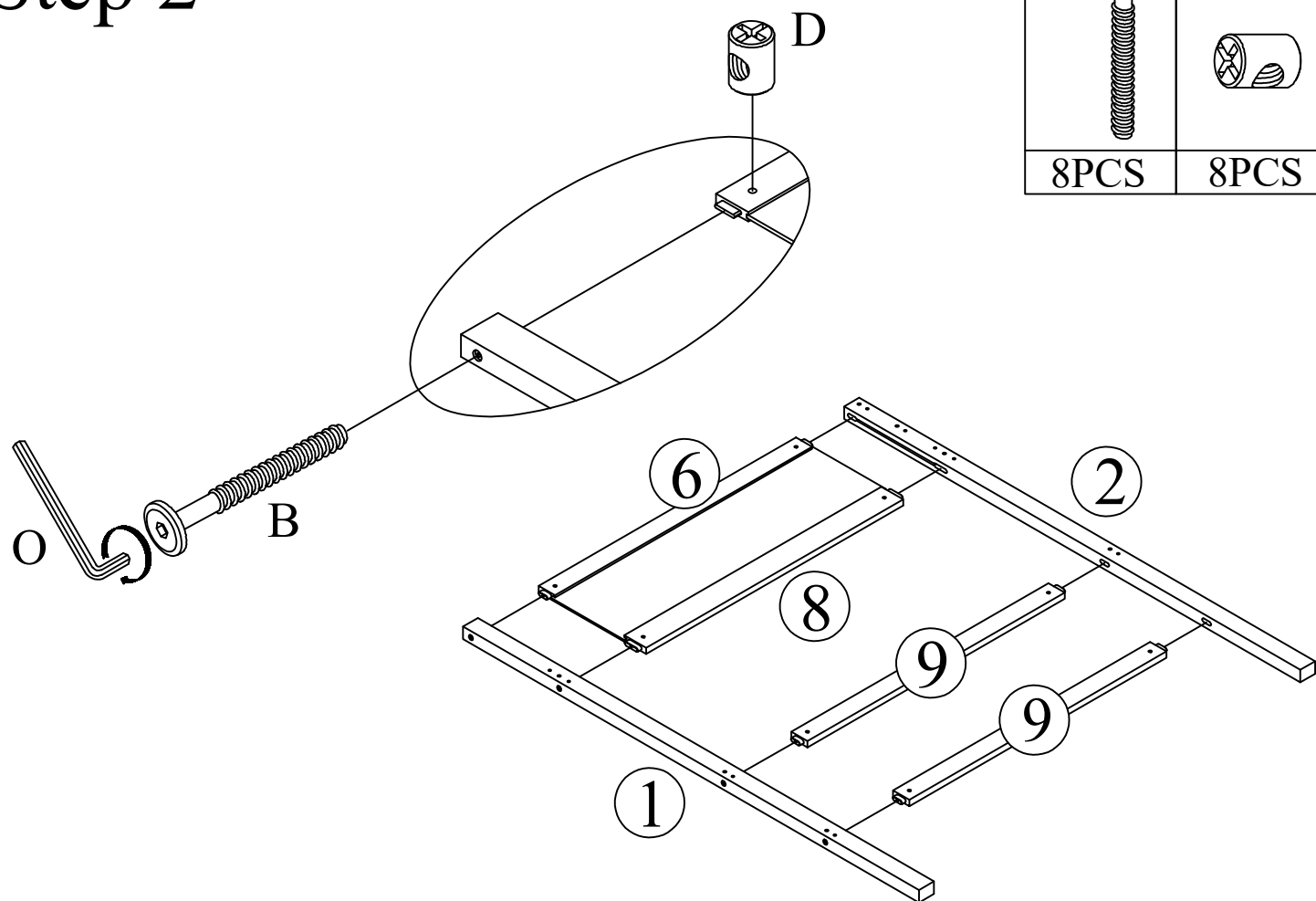
Hardware Lists : WF313934

<p>A</p>  <p>Ø10*30mm</p> <p>Wood dowel (44pcs)</p>	<p>B</p>  <p>Ø1/4"*100mm</p> <p>Hex-Head bolt (20pcs)</p>	<p>C</p>  <p>Ø1/4"*80mm</p> <p>Hex-Head bolt (15pcs)</p>
<p>D</p>  <p>Ø1/4"*9.5*12mm</p> <p>Horizontal-Hole bolt (66pcs)</p>	<p>E</p>  <p>Ø1/4"*65mm</p> <p>Hex-Head bolt (31pcs)</p>	<p>F</p>  <p>Ø1/4"*35mm</p> <p>Hex-Head bolt (4pcs)</p>
<p>G</p>  <p>Ø1/4"</p> <p>Nut (4pcs)</p>	<p>H</p>  <p>Ø6*80mm</p> <p>Hex-Head screw (10pcs)</p>	<p>I</p>  <p>Ø6*50mm</p> <p>Hex-Head screw (22pcs)</p>
<p>J</p>  <p>Ø6*30mm</p> <p>Hex-Head screw (3pcs)</p>	<p>K</p>  <p>#4*30mm</p> <p>Screw (46pcs)</p>	<p>L</p>  <p>#3.5*15mm</p> <p>Screw (38pcs)</p>
<p>M</p>  <p>#4*50mm</p> <p>Screw (26pcs)</p>	<p>N</p>  <p>90*17*2mm</p> <p>Foam stick (2pcs)</p>	<p>O</p>  <p>K4mm</p> <p>Allen key (2pcs)</p>
<p>P</p>  <p>Hook (2pcs)</p>	<p>Q</p>  <p>Ø8*30mm</p> <p>Wood dowel (12pcs)</p>	<p>R</p>  <p>Ø3.5*15mm</p> <p>Wood screws (17pcs)</p>
<p>Z / Z1</p>  <p>Suction magnet (4pcs)</p>	<p>V</p>  <p>Hinge (6pcs)</p>	<p>T</p>  <p>Door knob (2pcs)</p>
<p>U</p>  <p>5/32" x 25mm</p> <p>Bolts (4pcs)</p>	<p>W</p>  <p>#4*20mm</p> <p>Screw (6pcs)</p>	<p>S</p>  <p>Ø6*70mm</p> <p>Hex-Head screw (8pcs)</p>
<p>Y</p>  <p>Ø3.5*12mm</p> <p>Wood screws (8pcs)</p>		

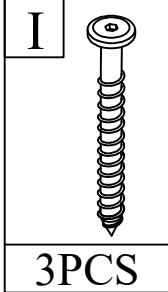
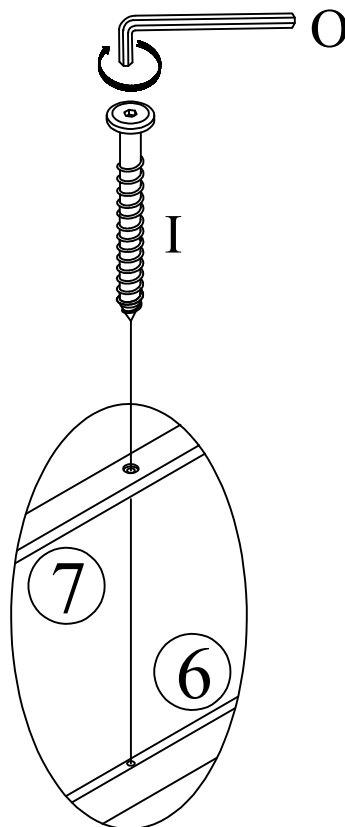
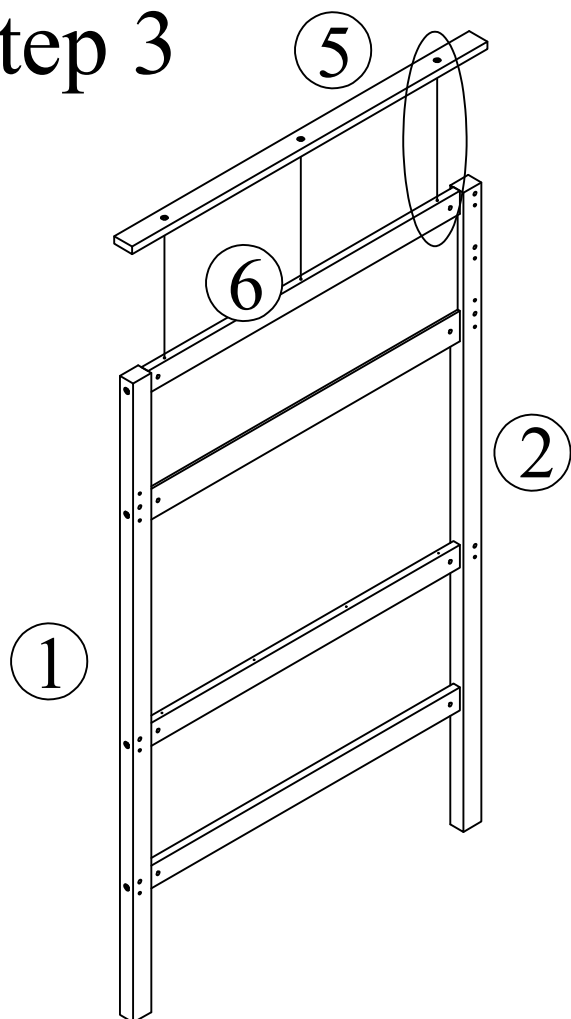
Step 1



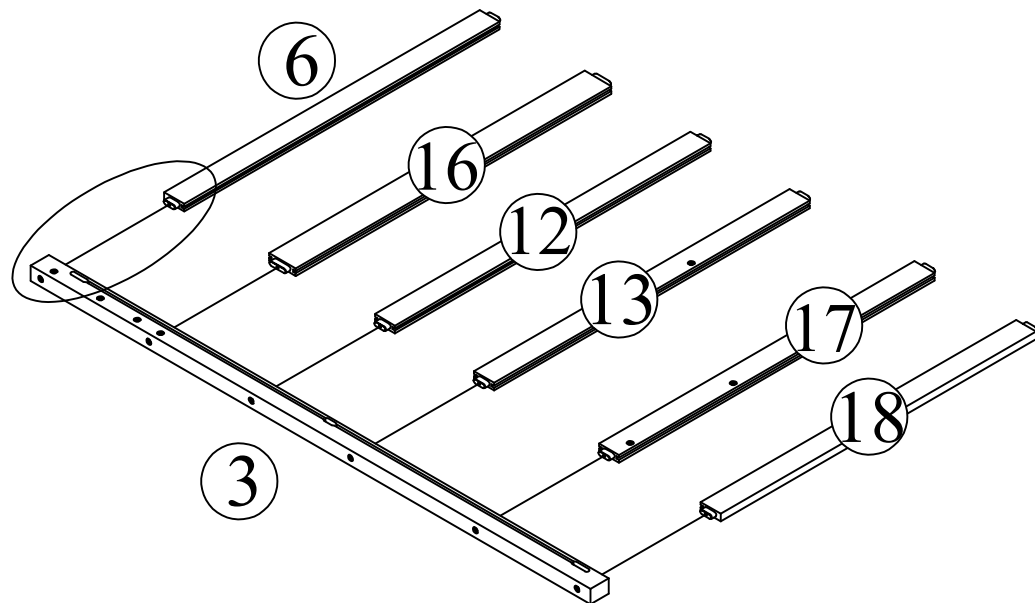
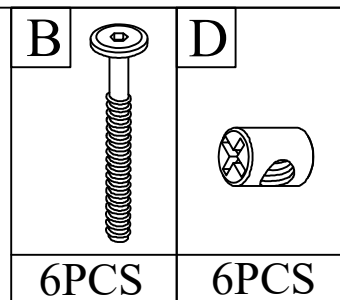
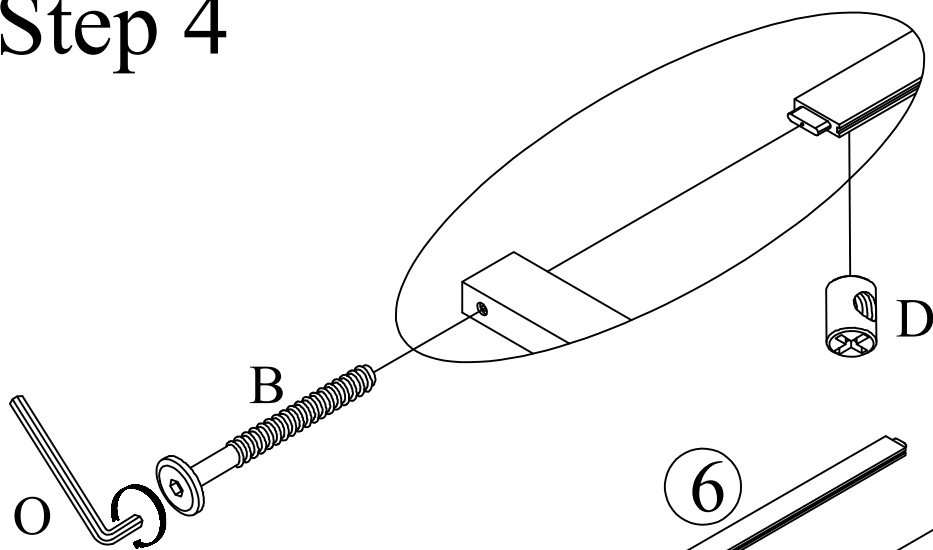
Step 2



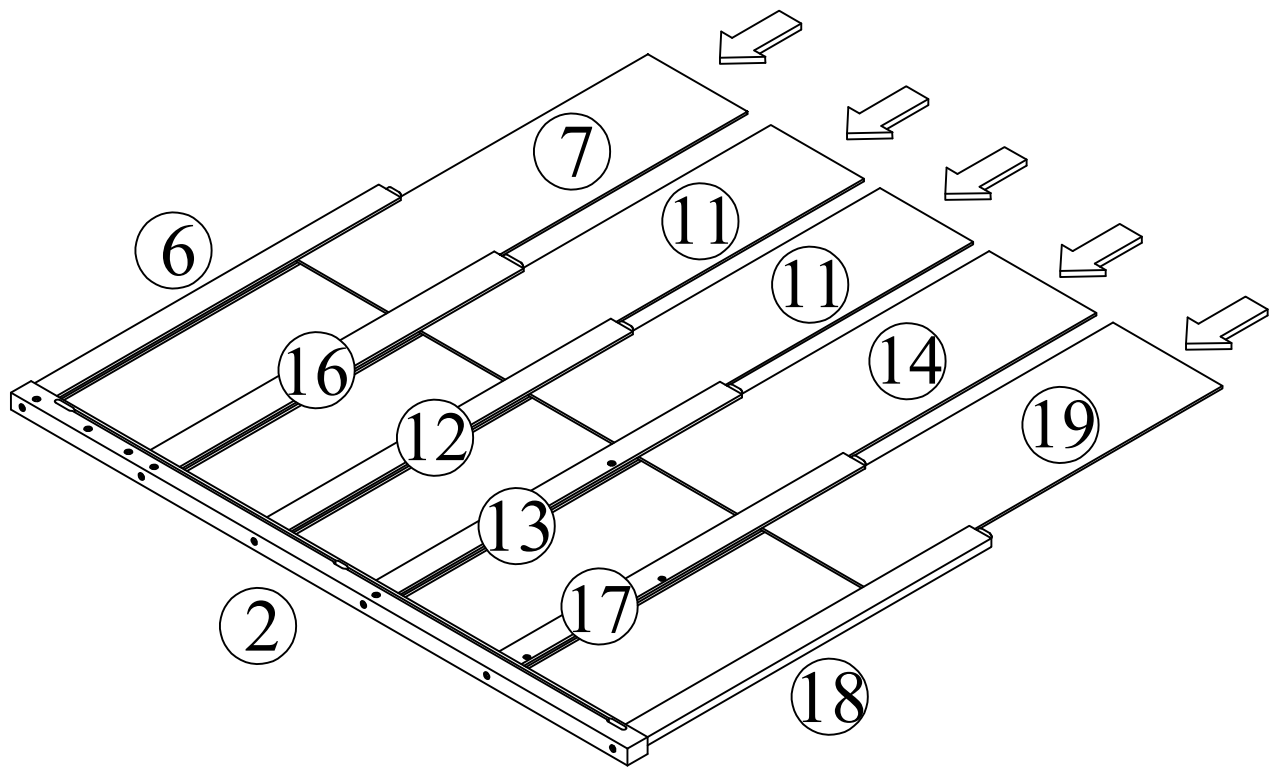
Step 3



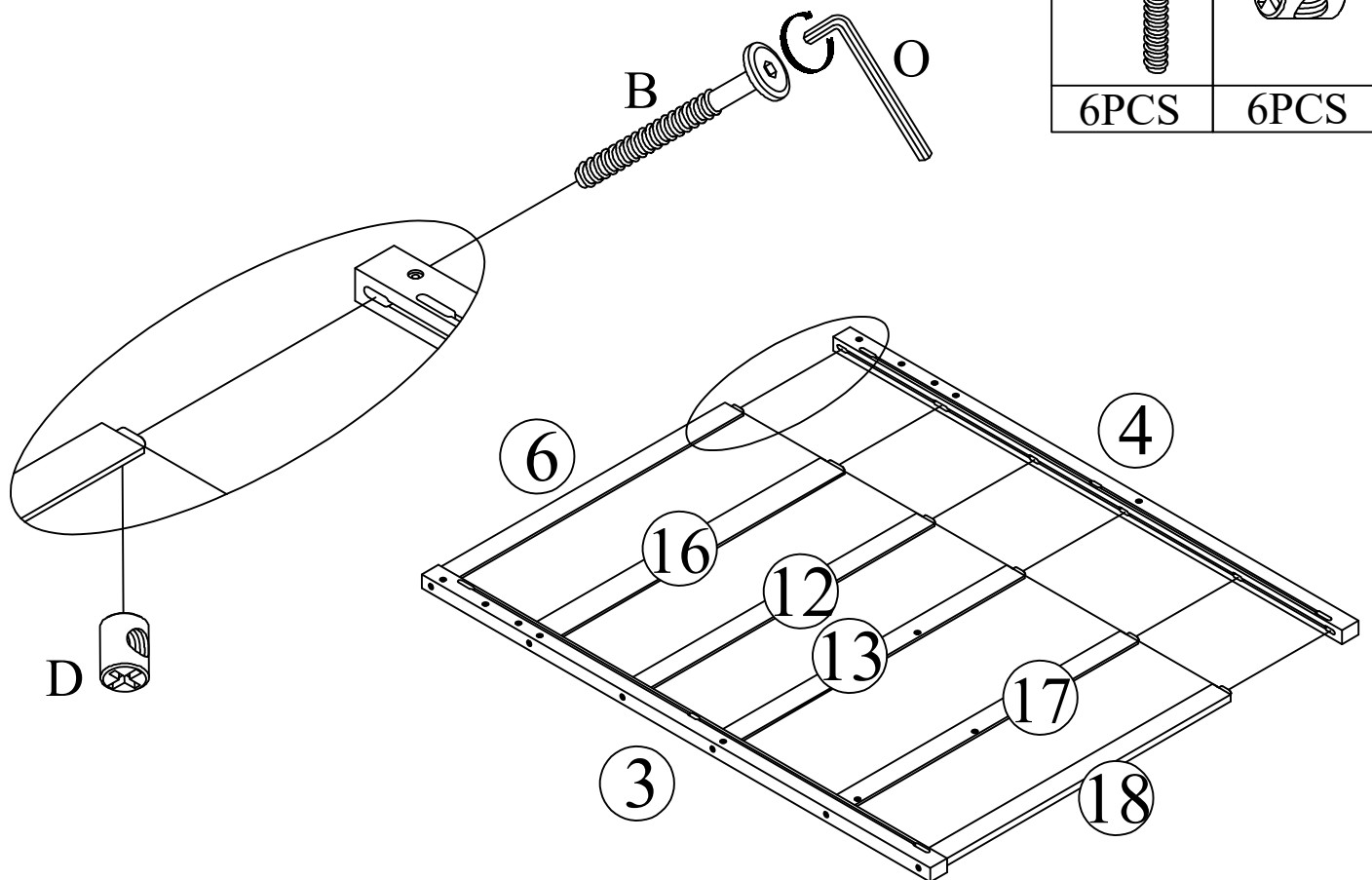
Step 4



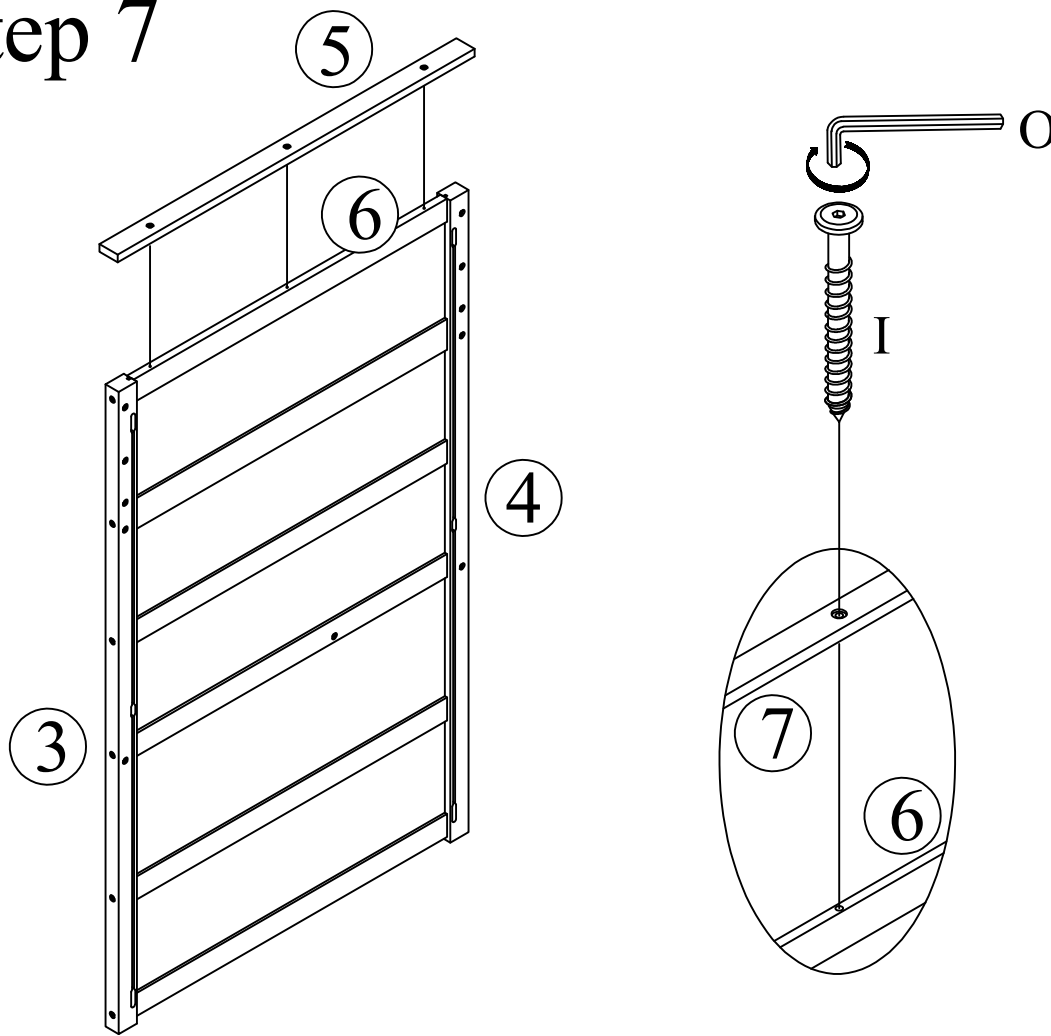
Step 5



Step 6

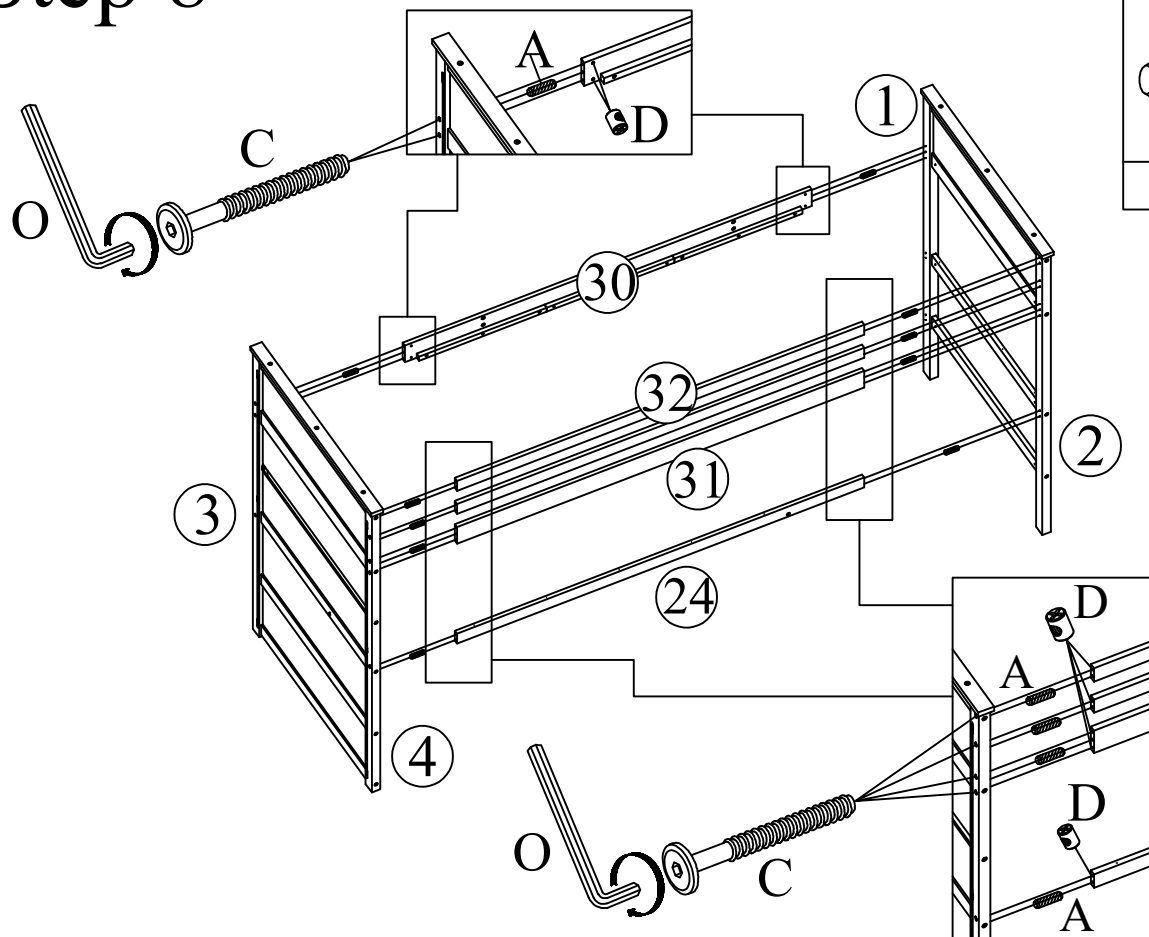


Step 7



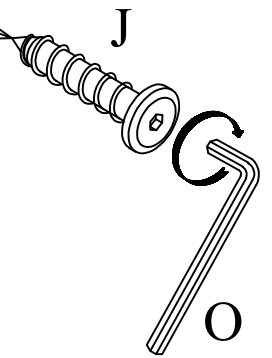
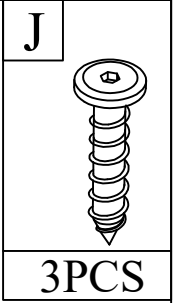
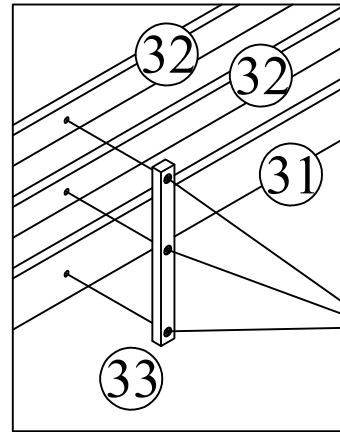
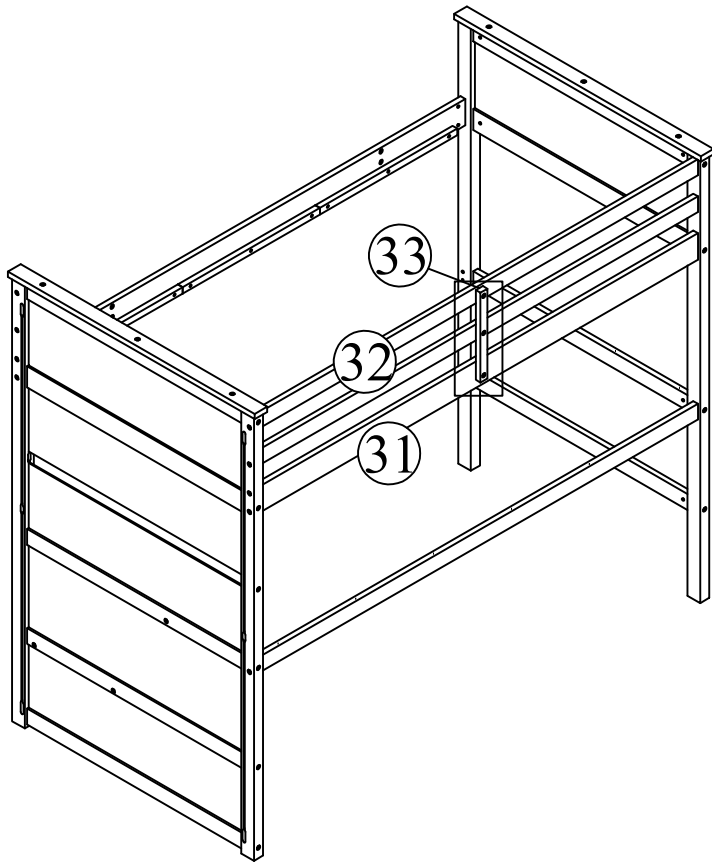
I	
3PCS	

Step 8

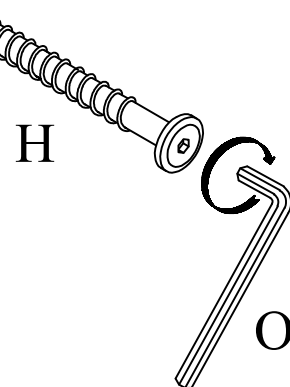
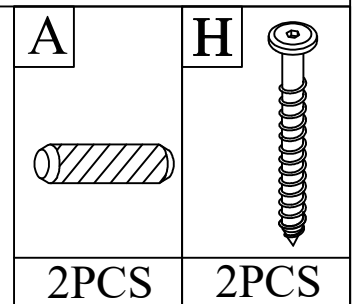
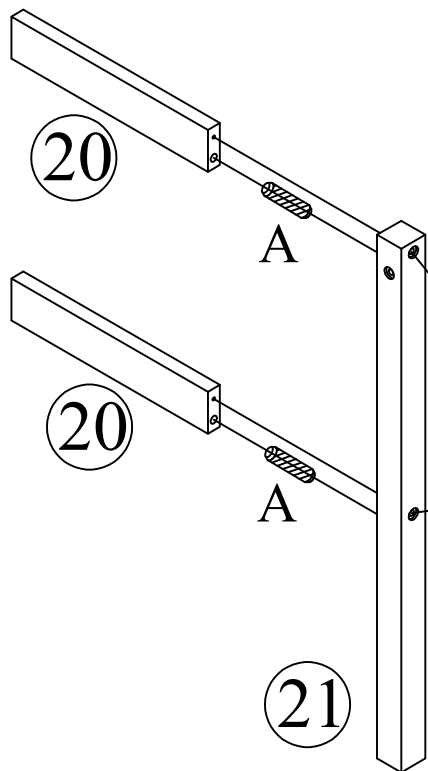


A		C	
10PCS		14PCS	
		D	
		14PCS	

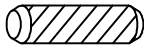

Step 9

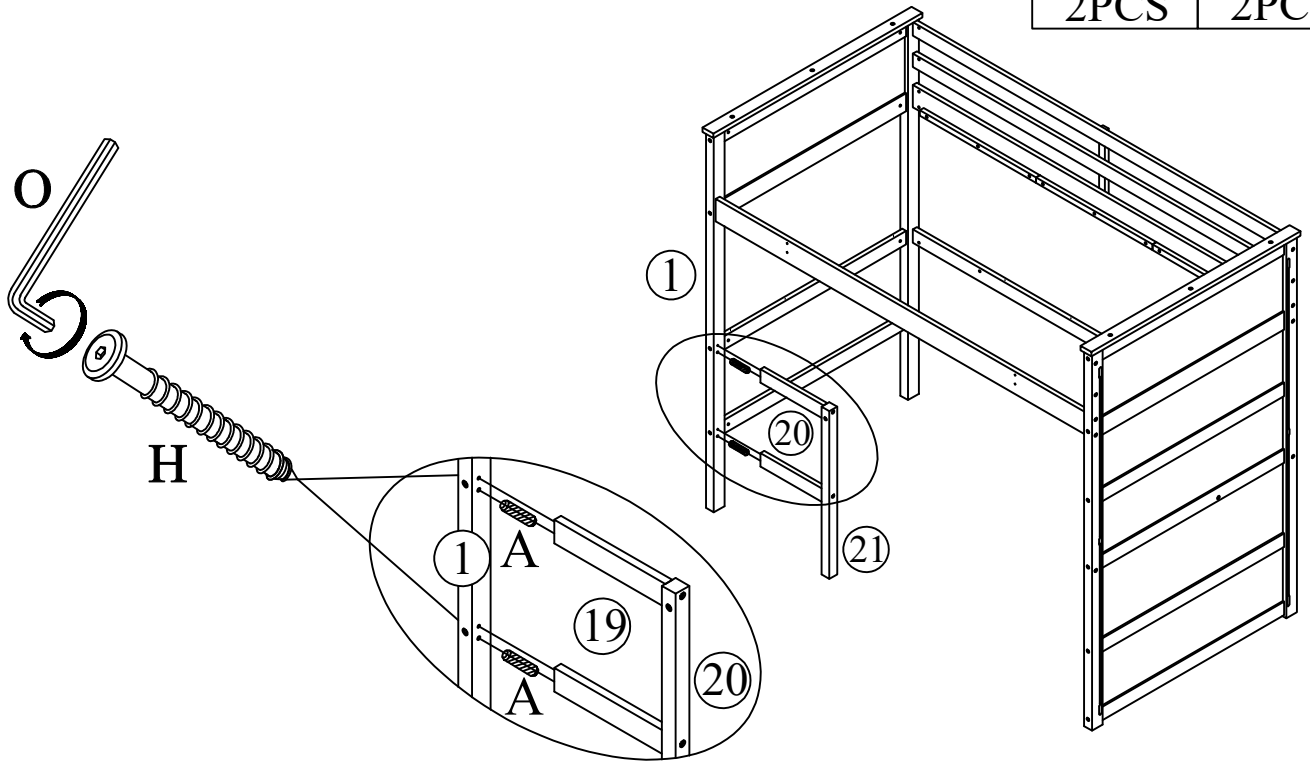


Step 10







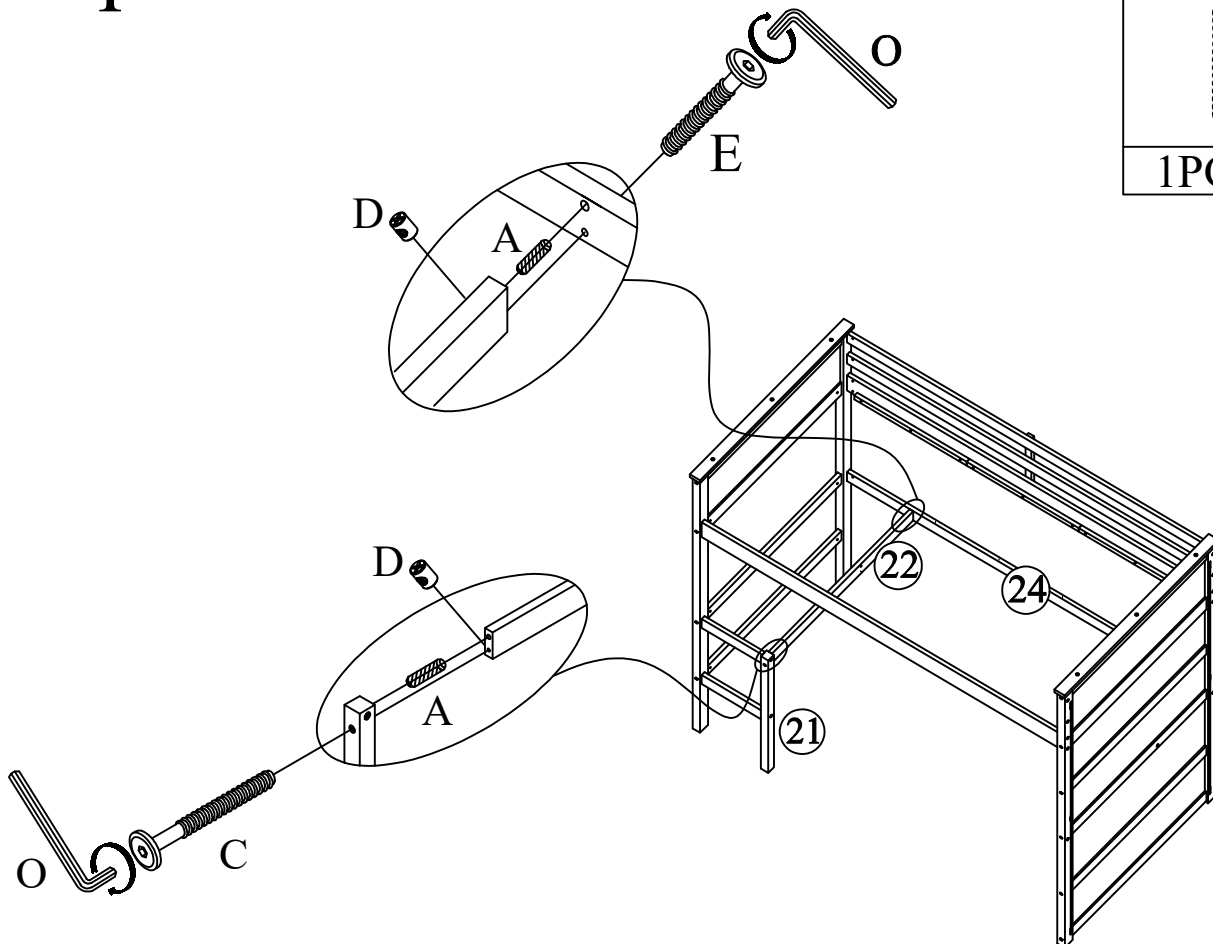
Step 11

A	H
	
2PCS	2PCS

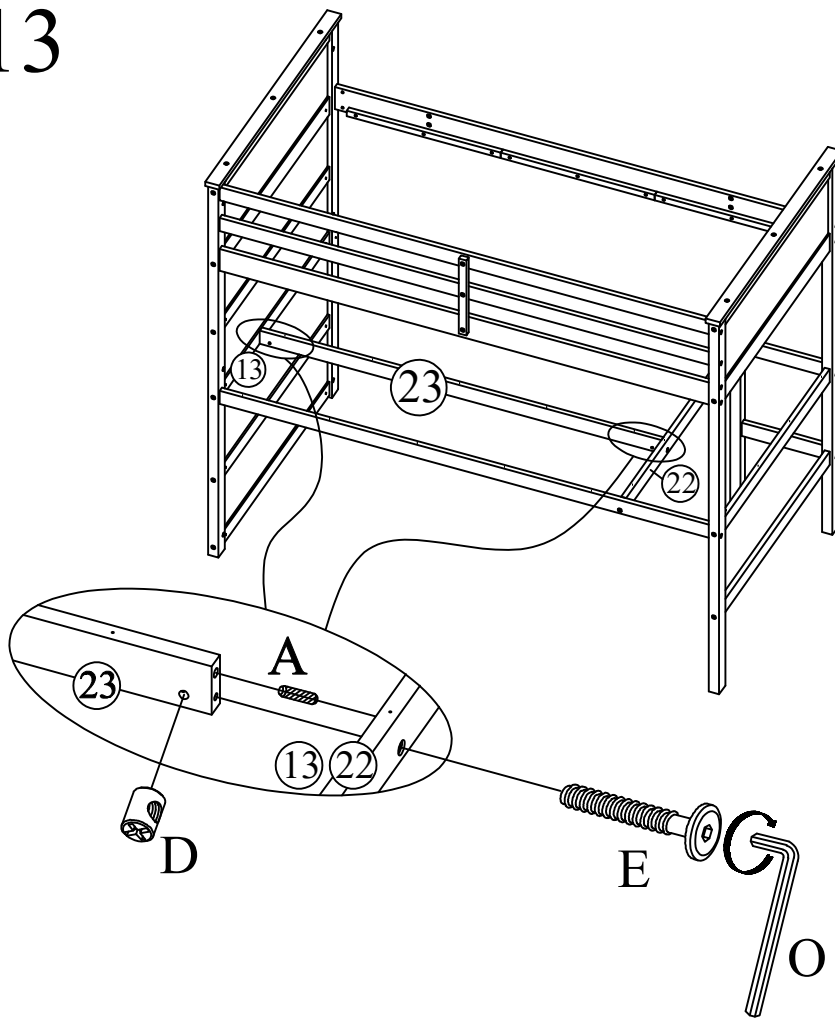


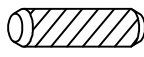

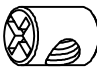
Step 12

E	D
	
1PC	2PCS
	A
	
	2PCS
	C
	
	1PC

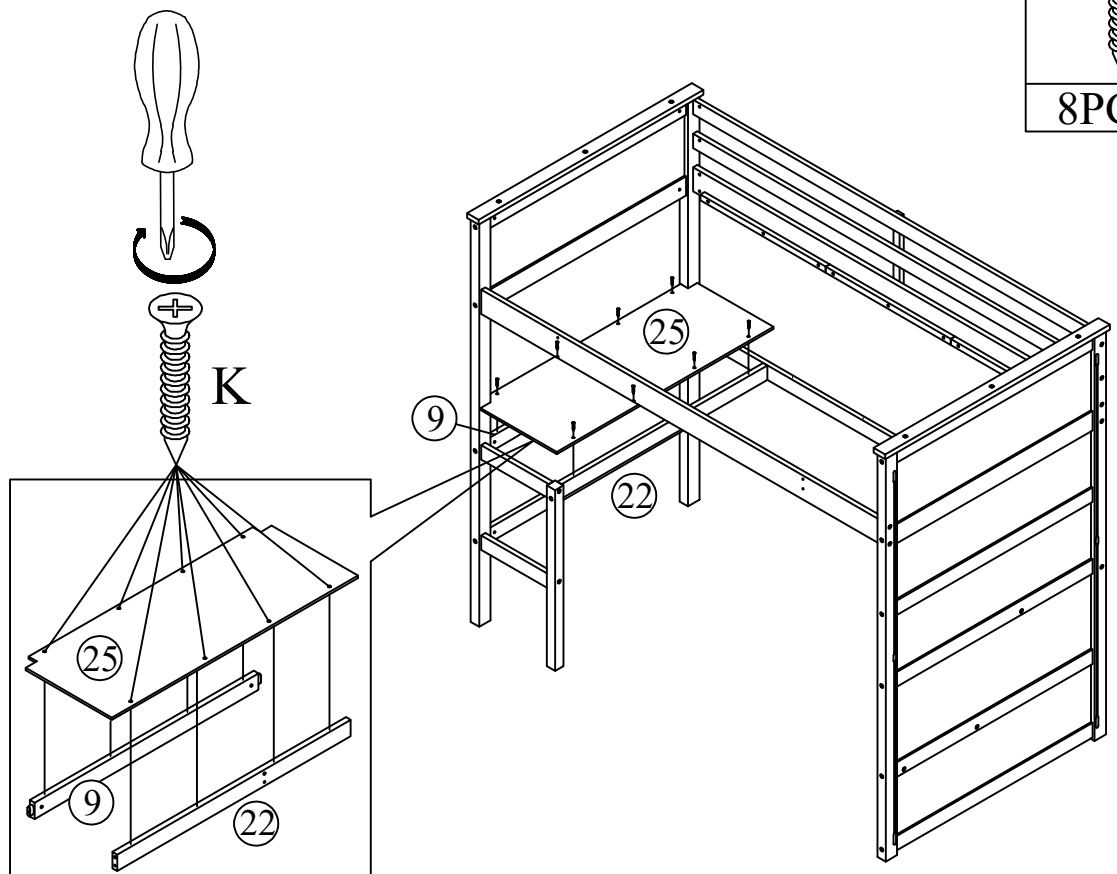


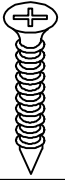
Step 13



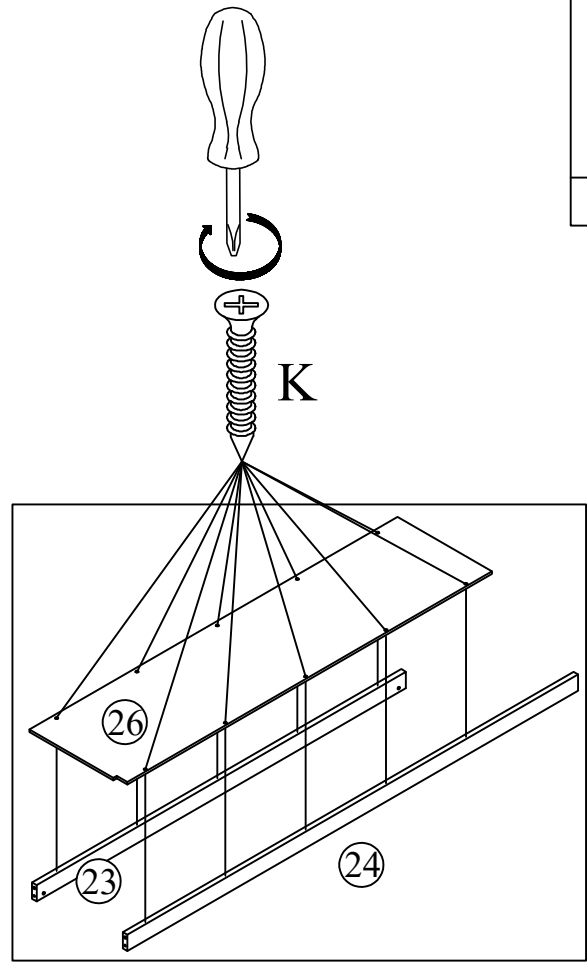
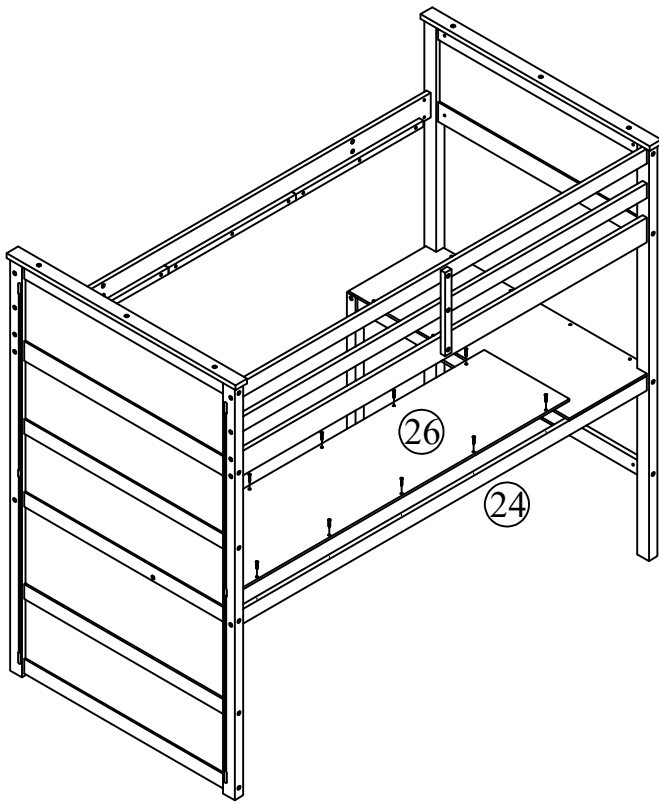
<p>A</p> 	<p>E</p> 
<p>2PCS</p>	<p>2PCS</p>
<p>D</p> 	
<p>2PCS</p>	

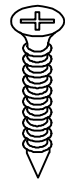
Step 14



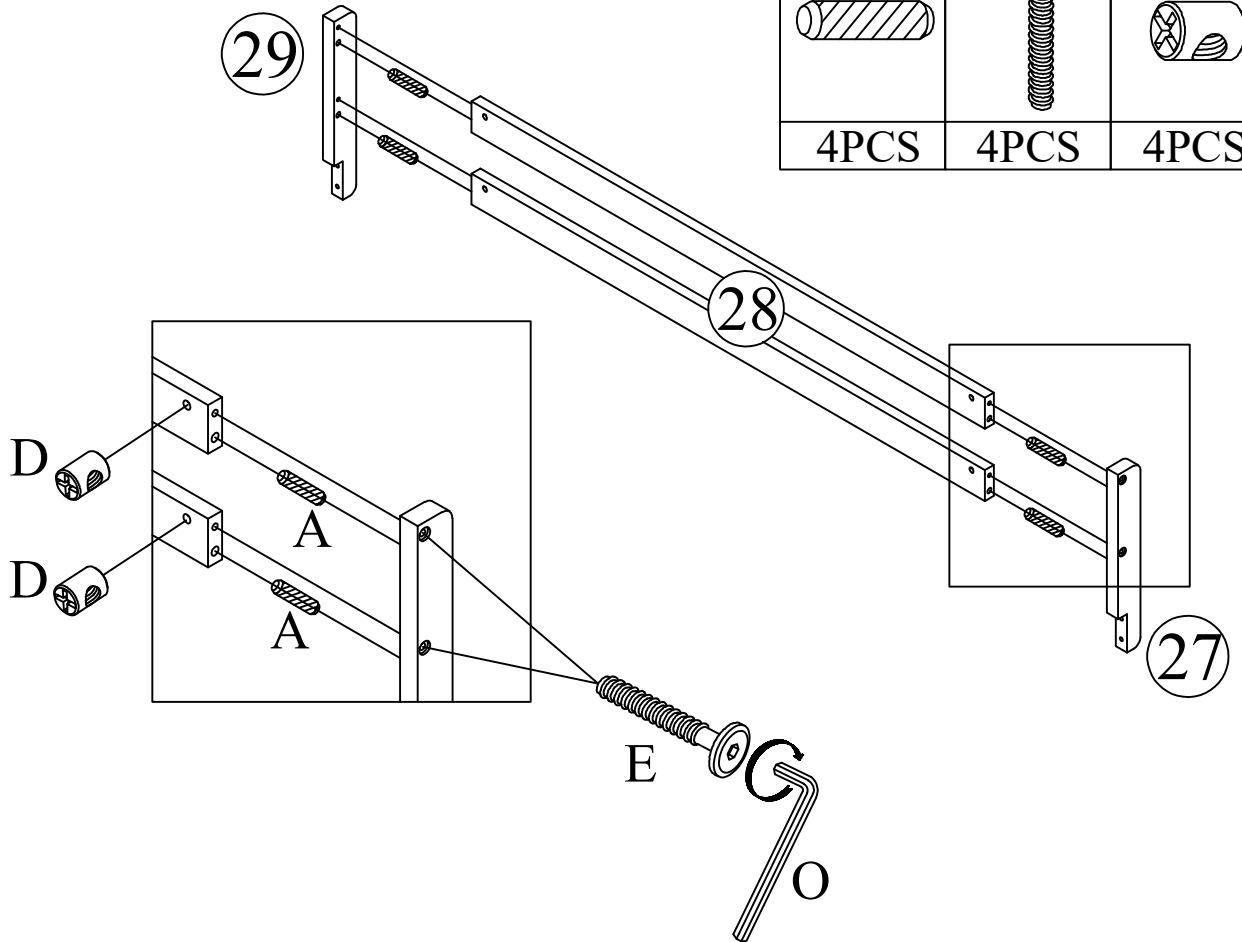
<p>K</p> 
<p>8PCS</p>

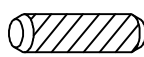
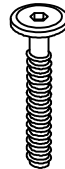

Step 15

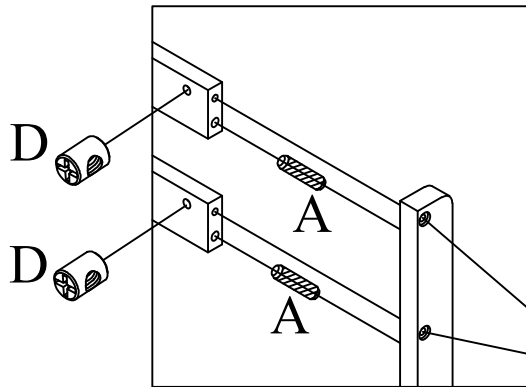


K

10PCS

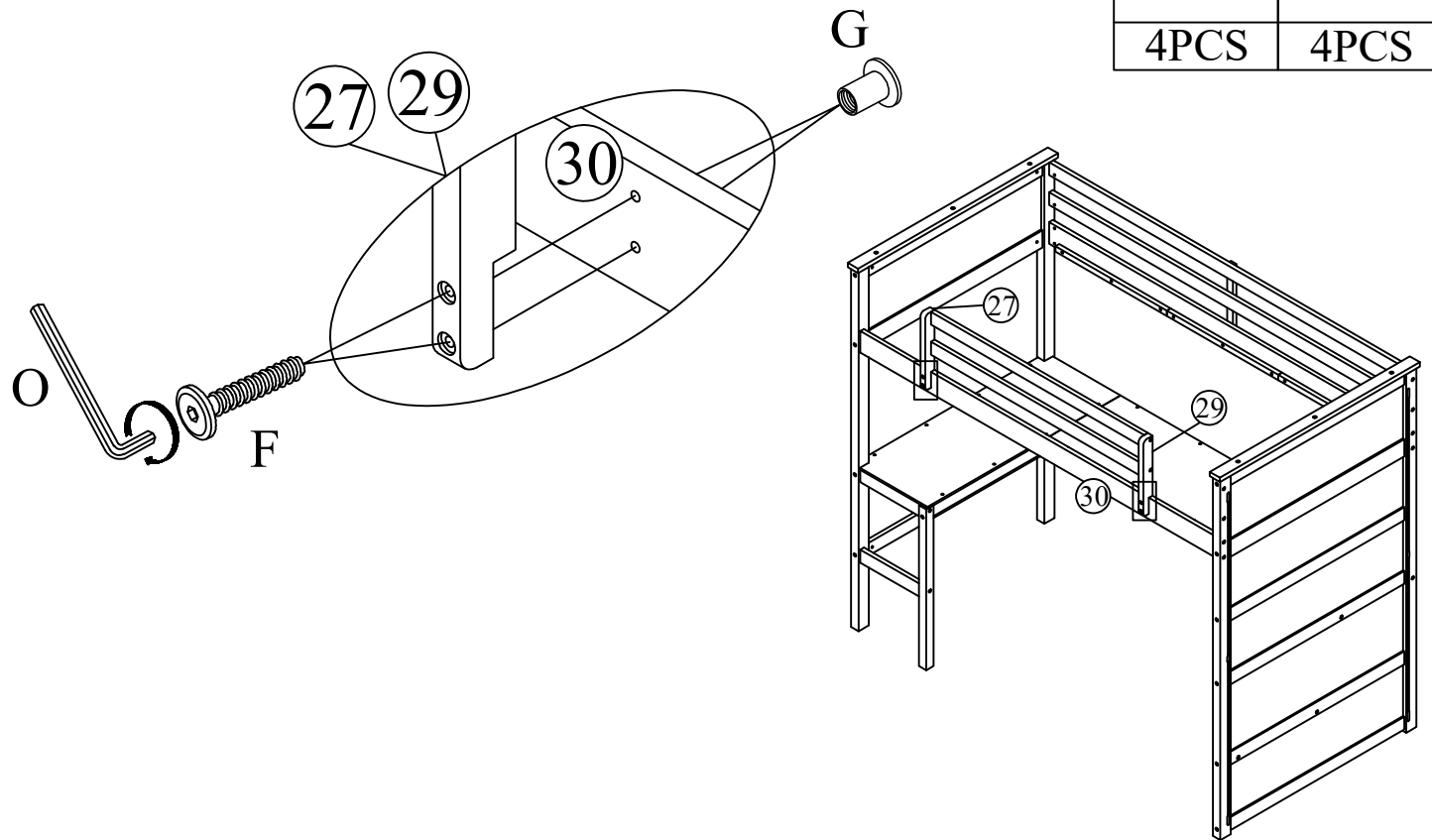
Step 16



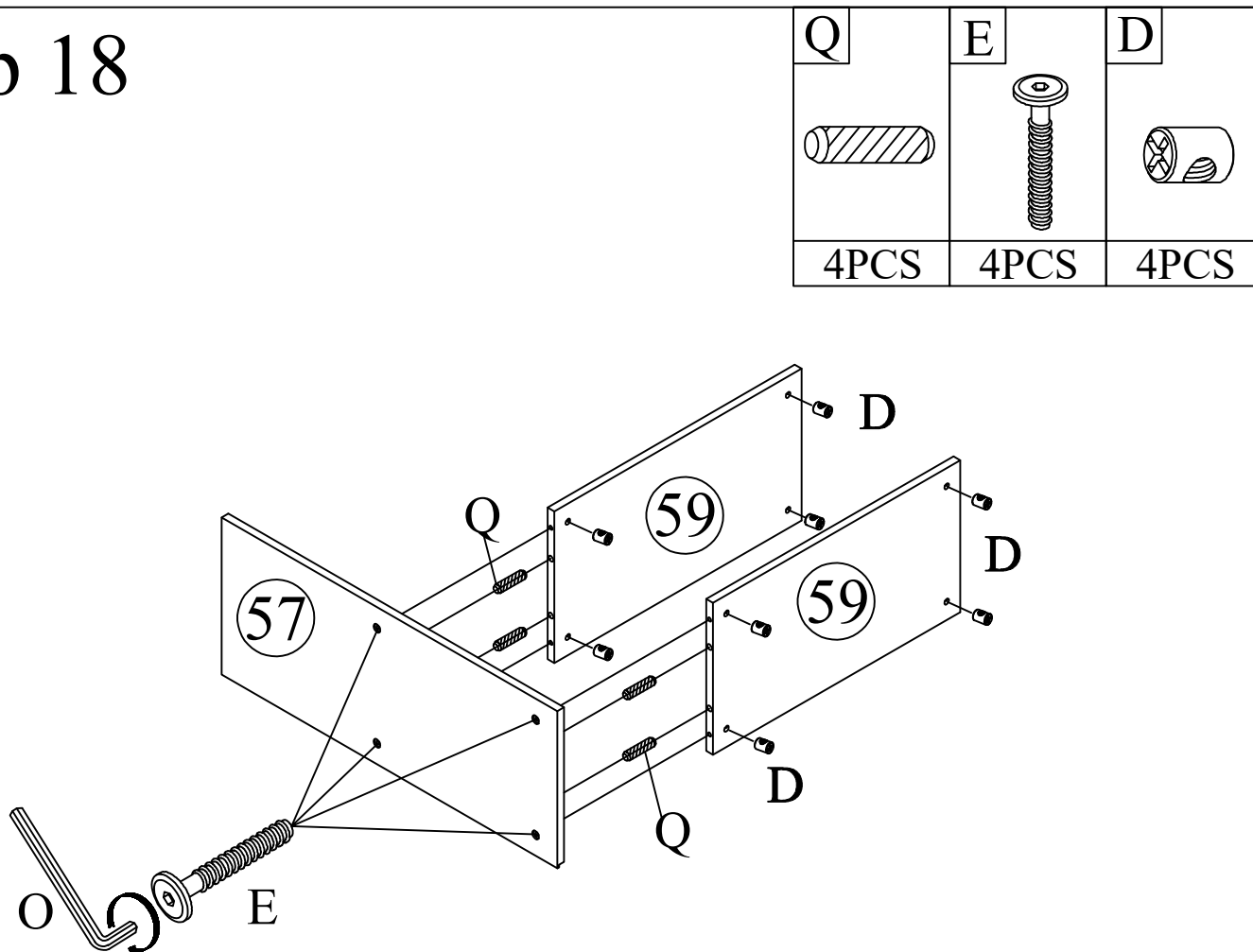
A	E	D
		
4PCS	4PCS	4PCS



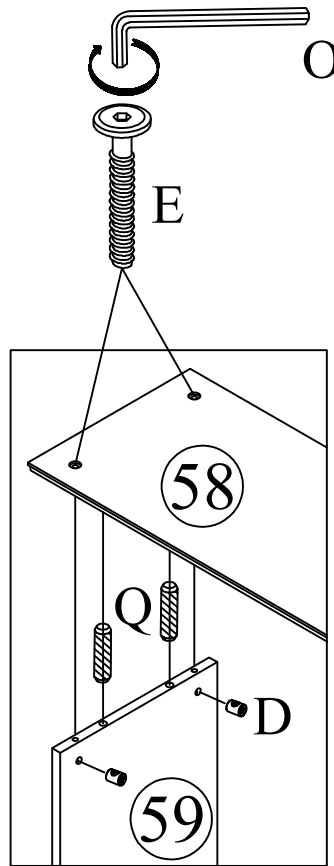
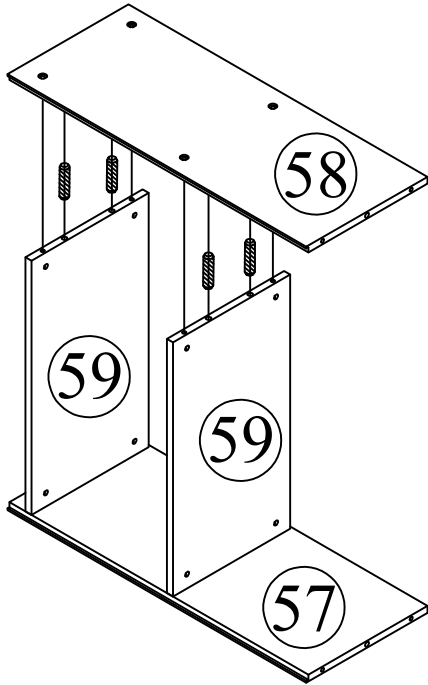
Step 17

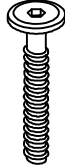




Step 18

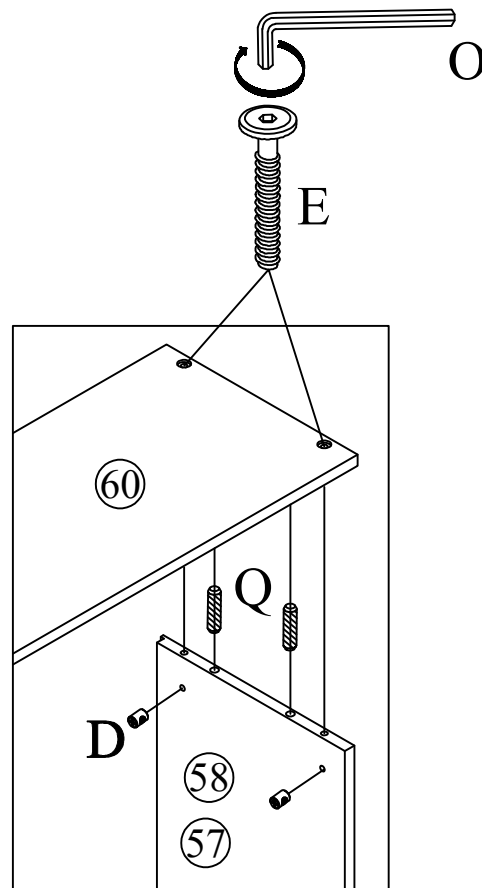
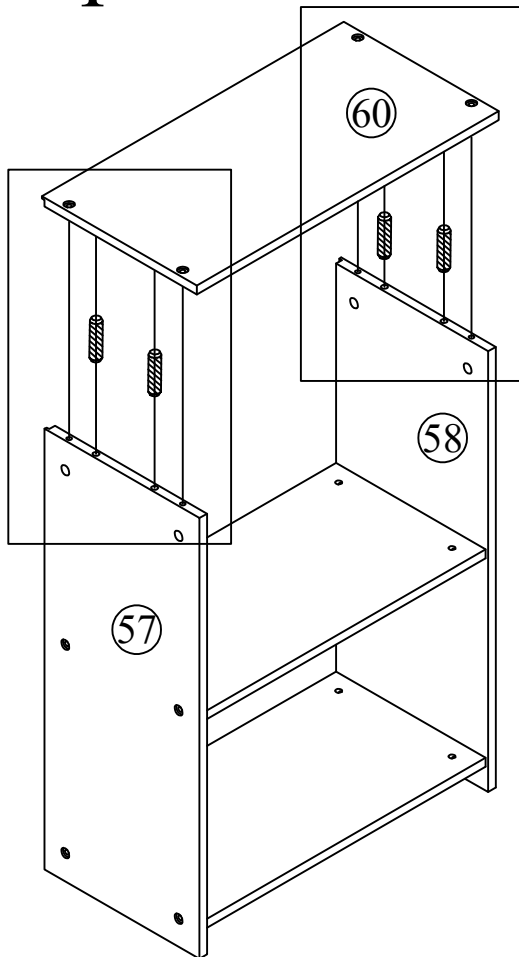





Step 19



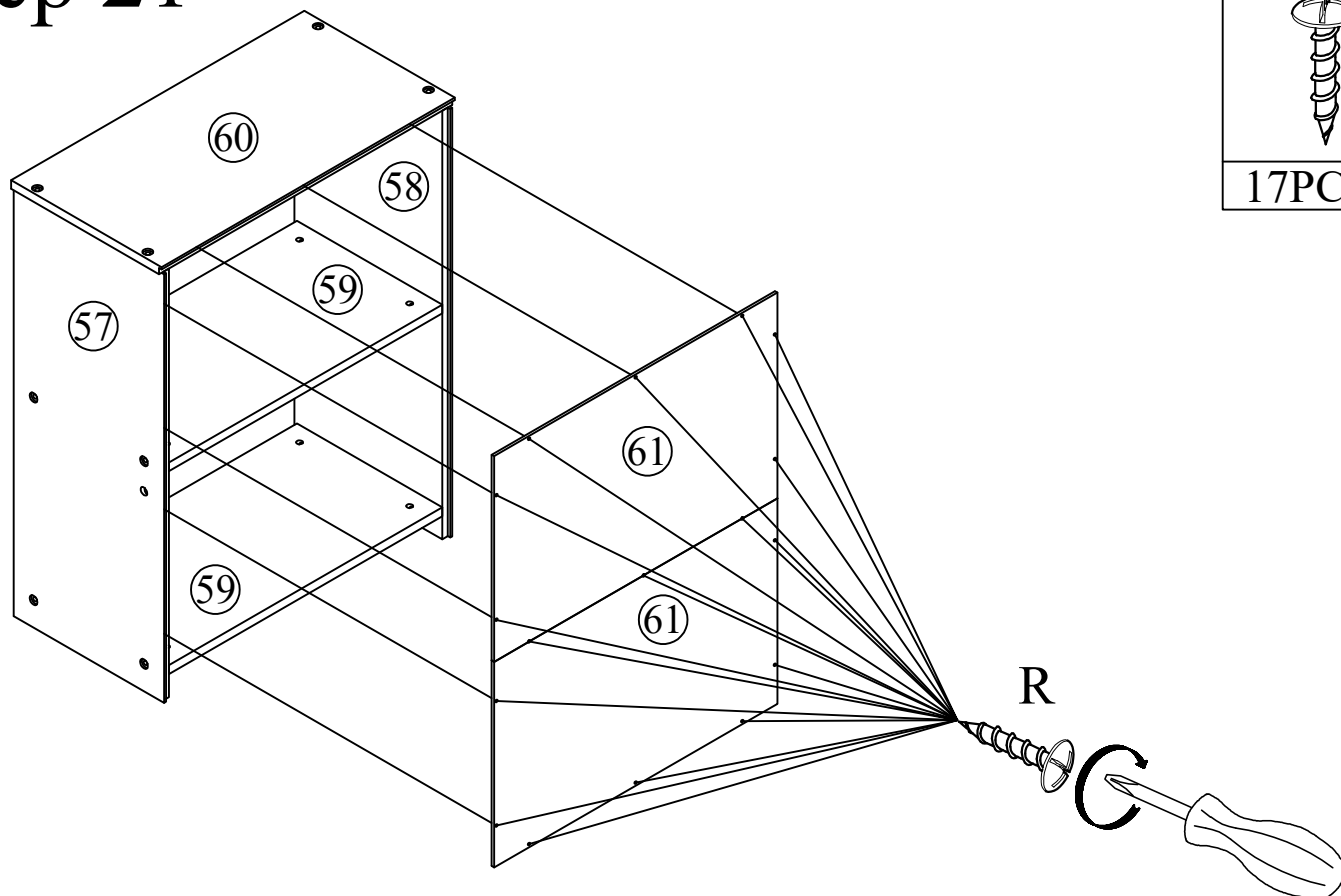
E		D	
4PCS		4PCS	
		Q	
		4PCS	

Step 20

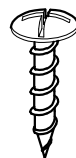


D	
4PCS	
Q	
4PCS	
E	
4PCS	

Step 21

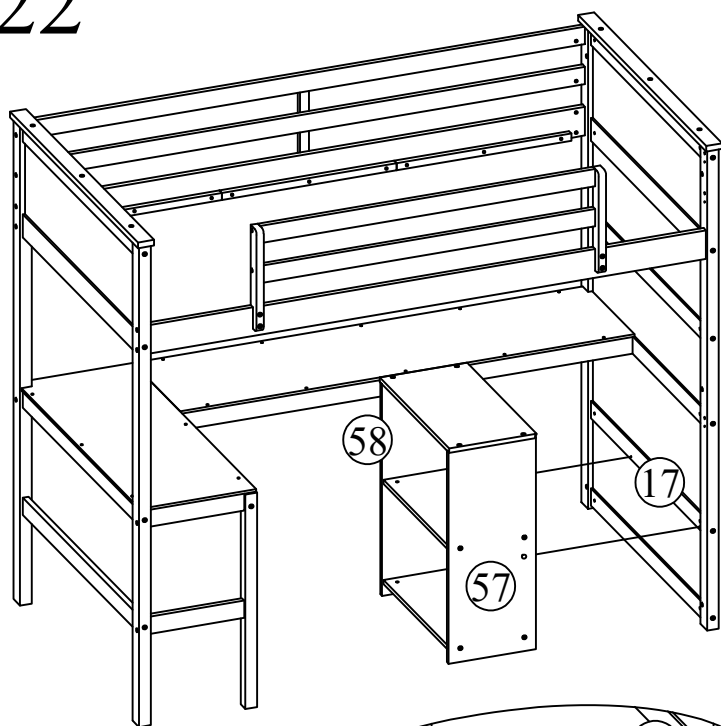


R



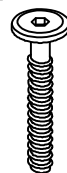
17PCS

Step 22



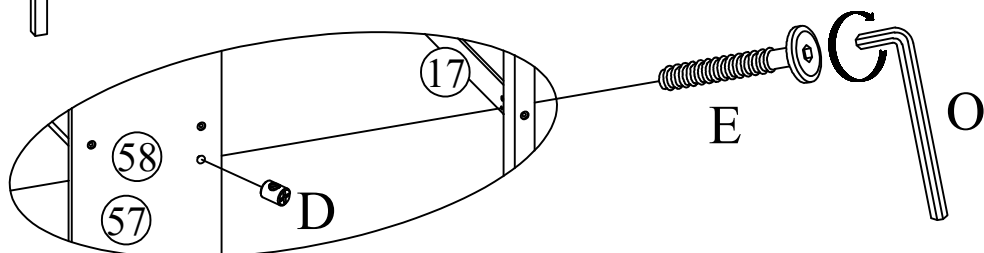
E

D



2PCS

2PCS



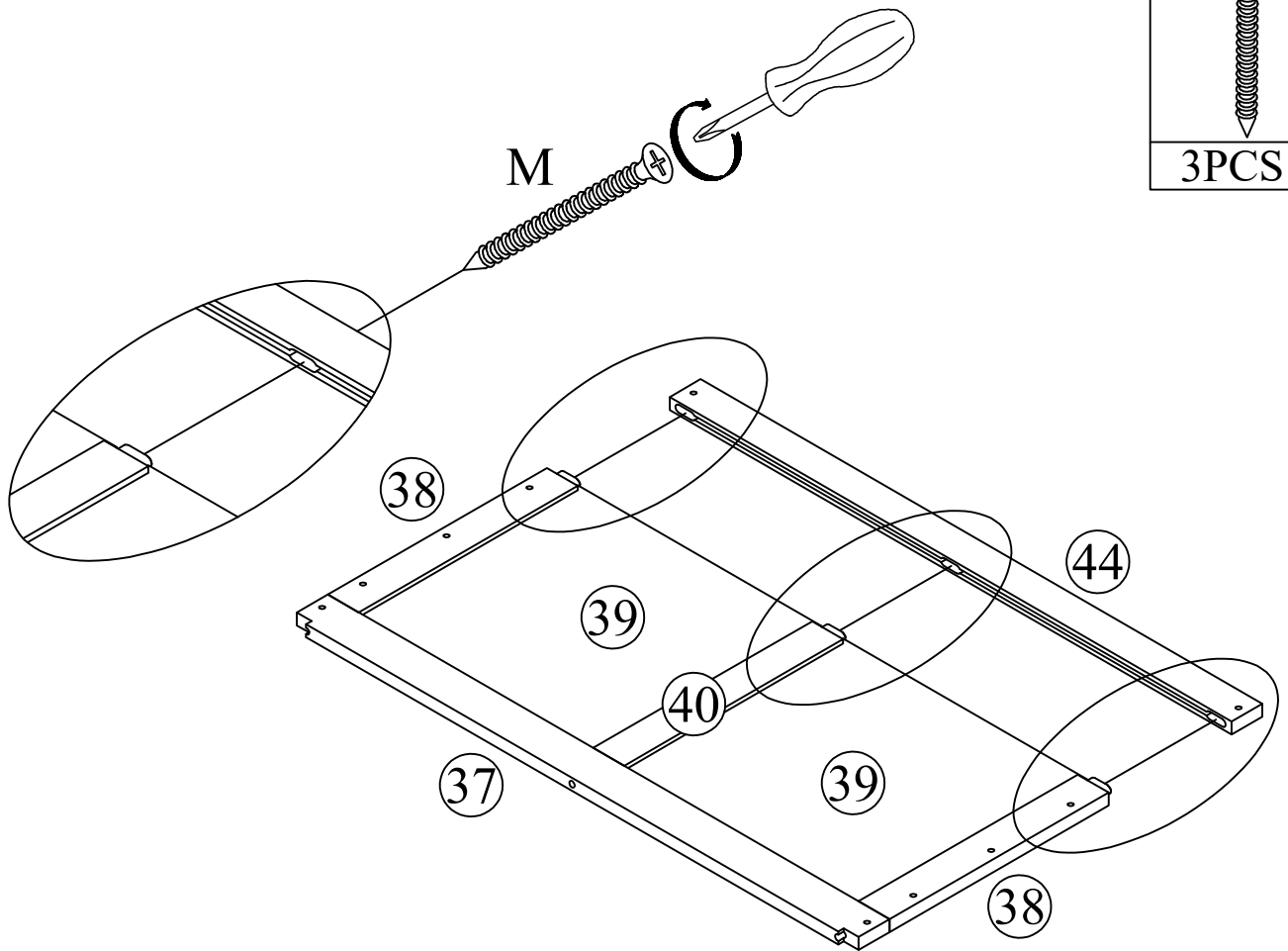
E

D

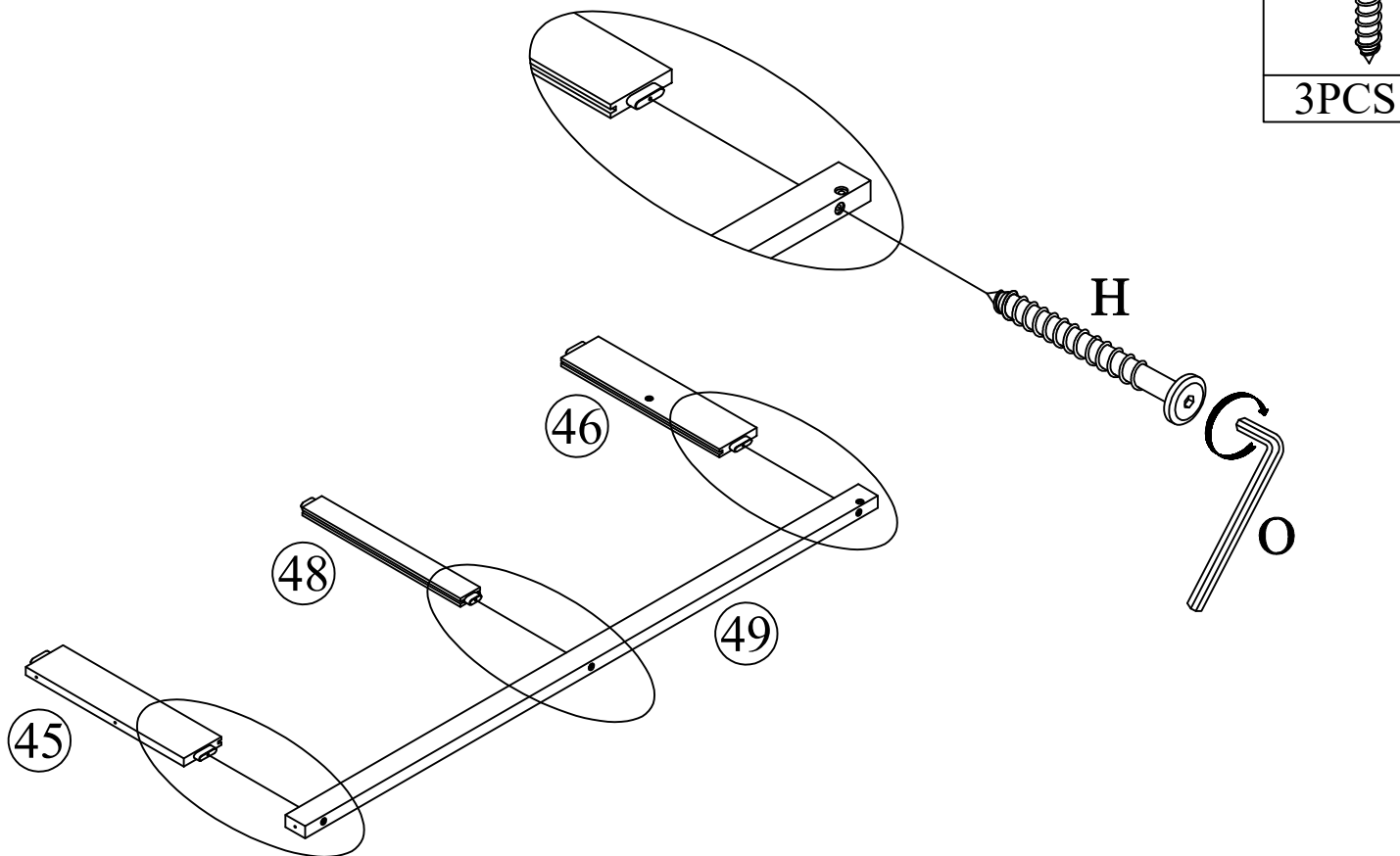
G

O

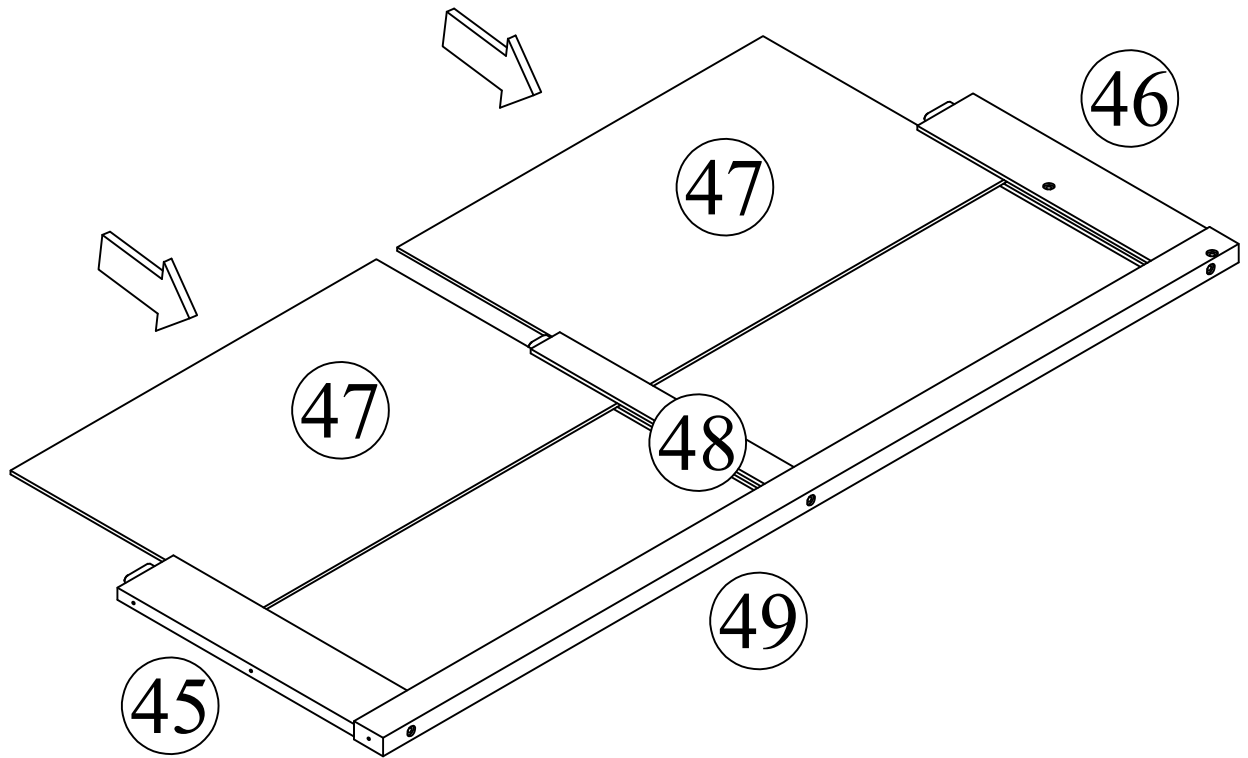
Step 25



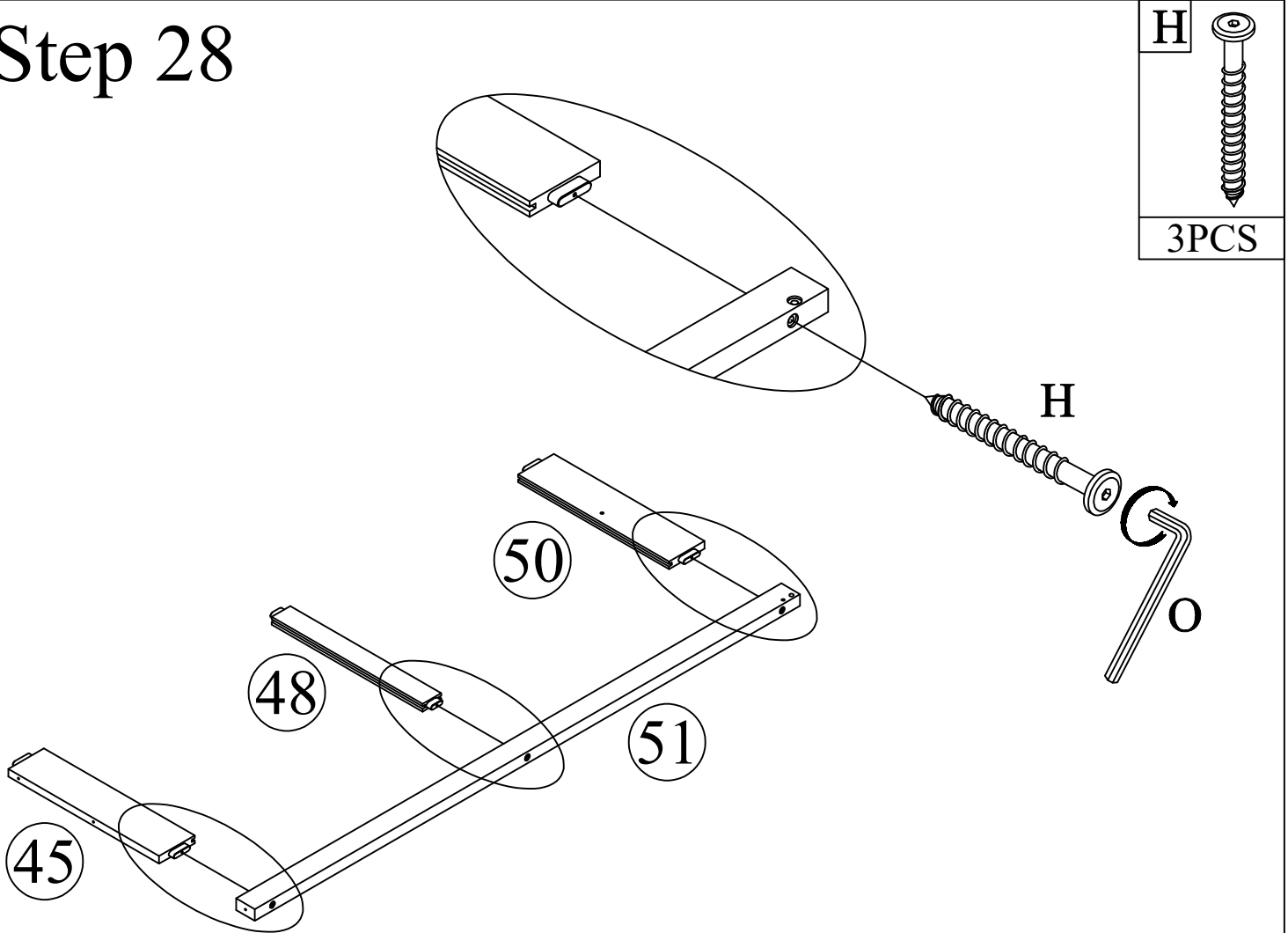
Step 26



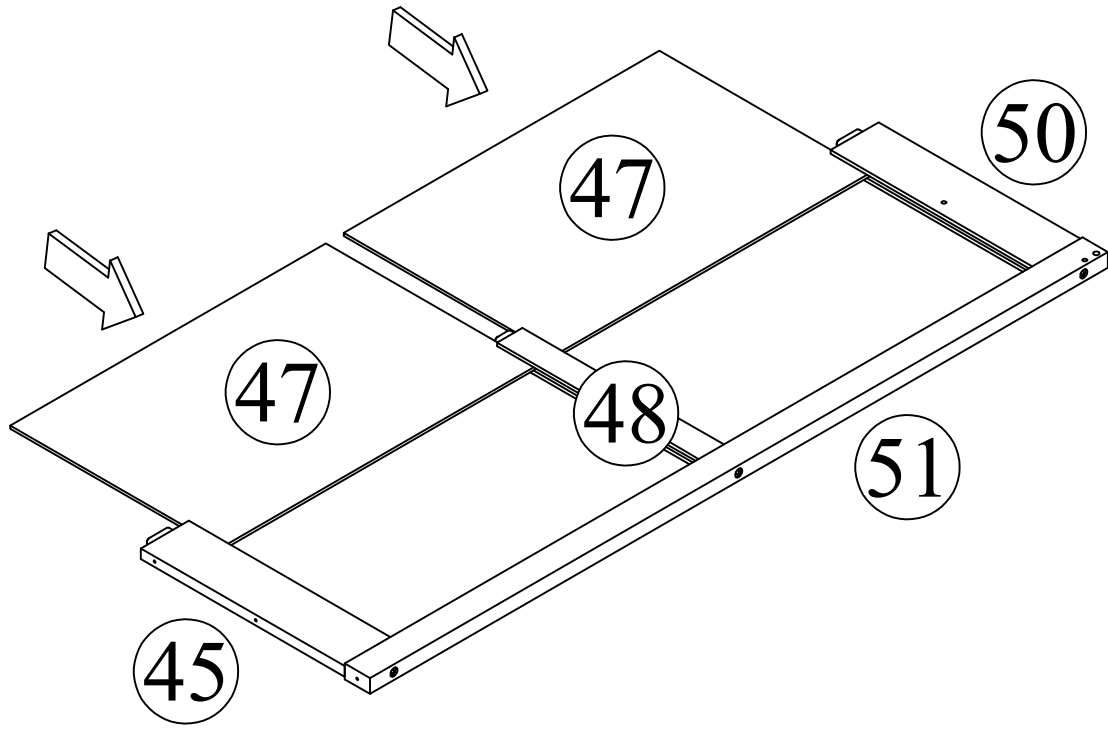
Step 27



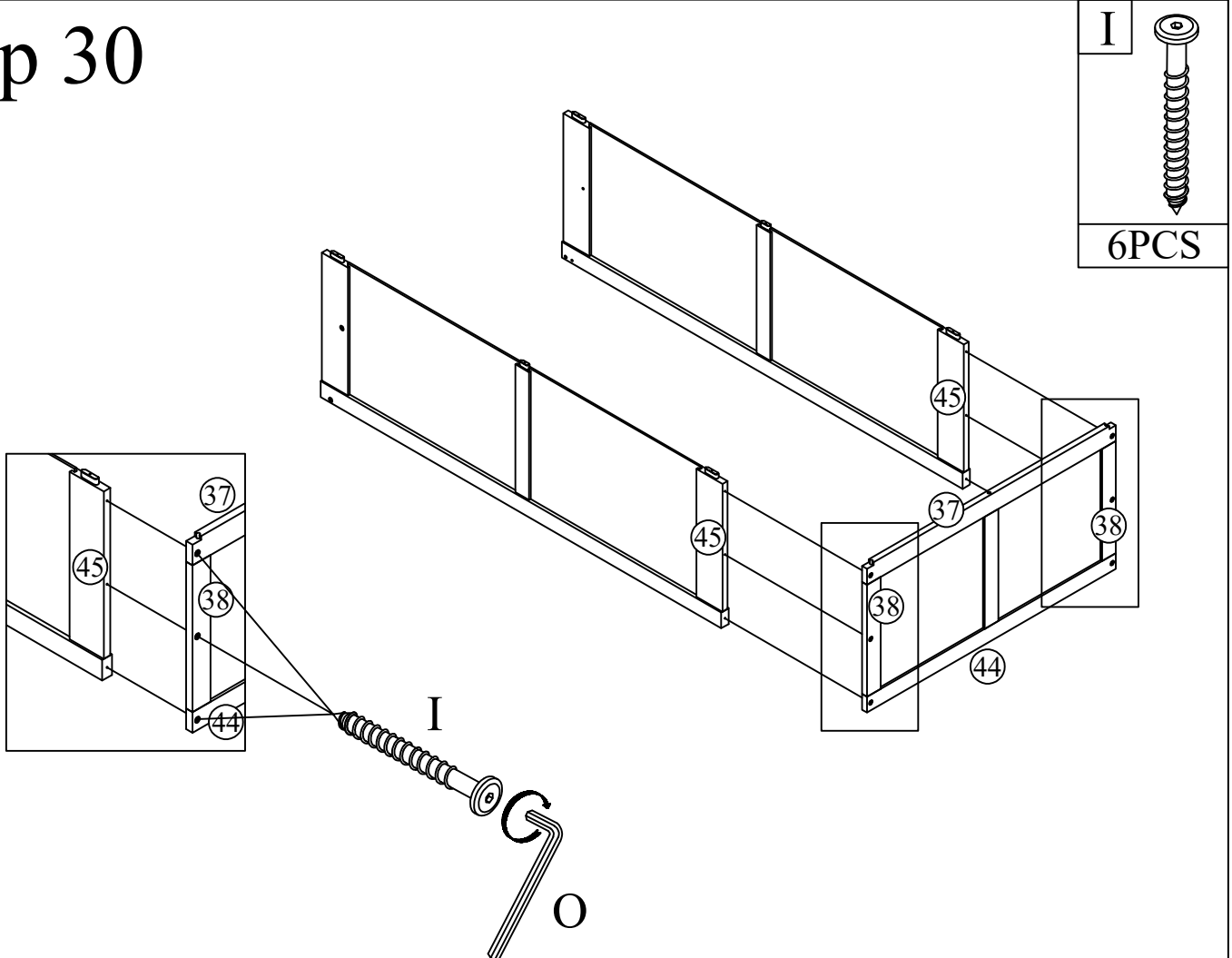
Step 28



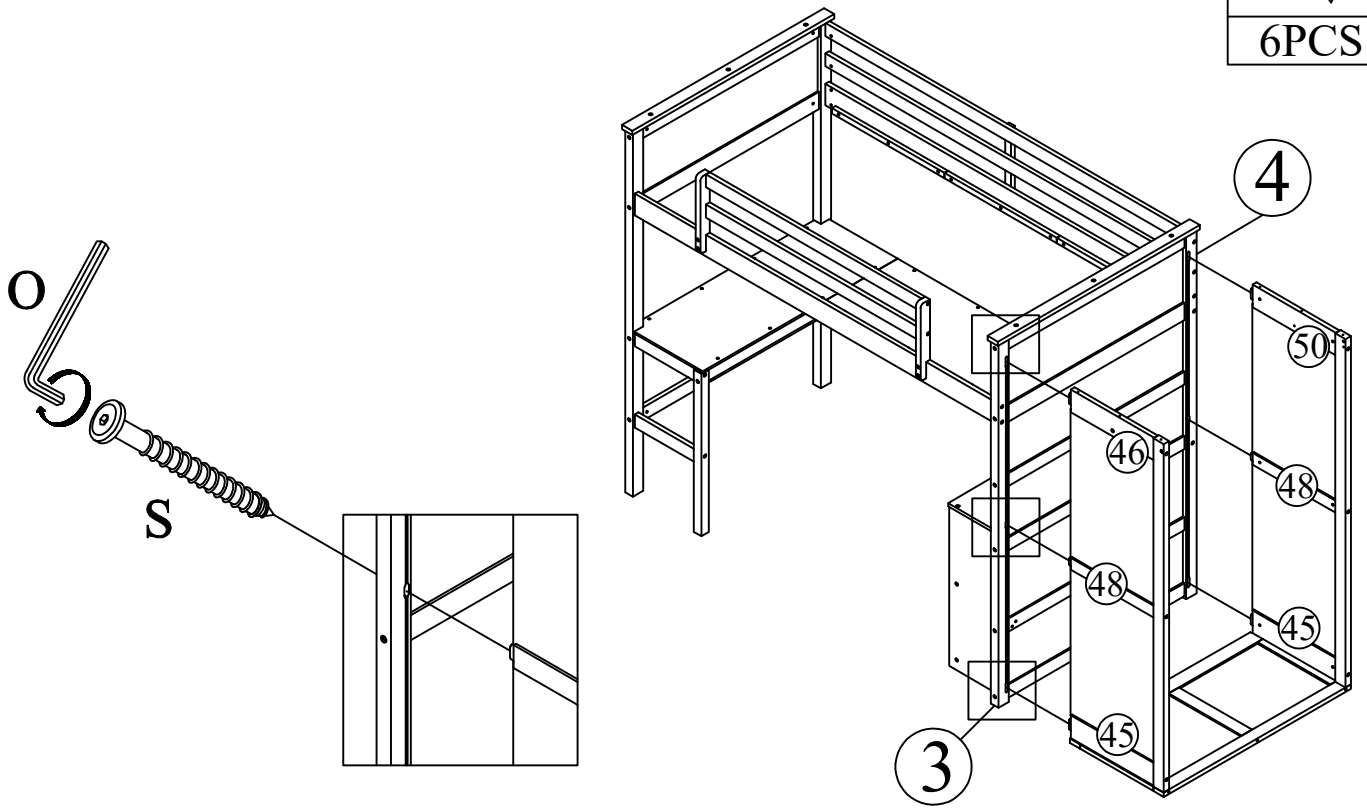
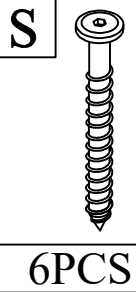
Step 29



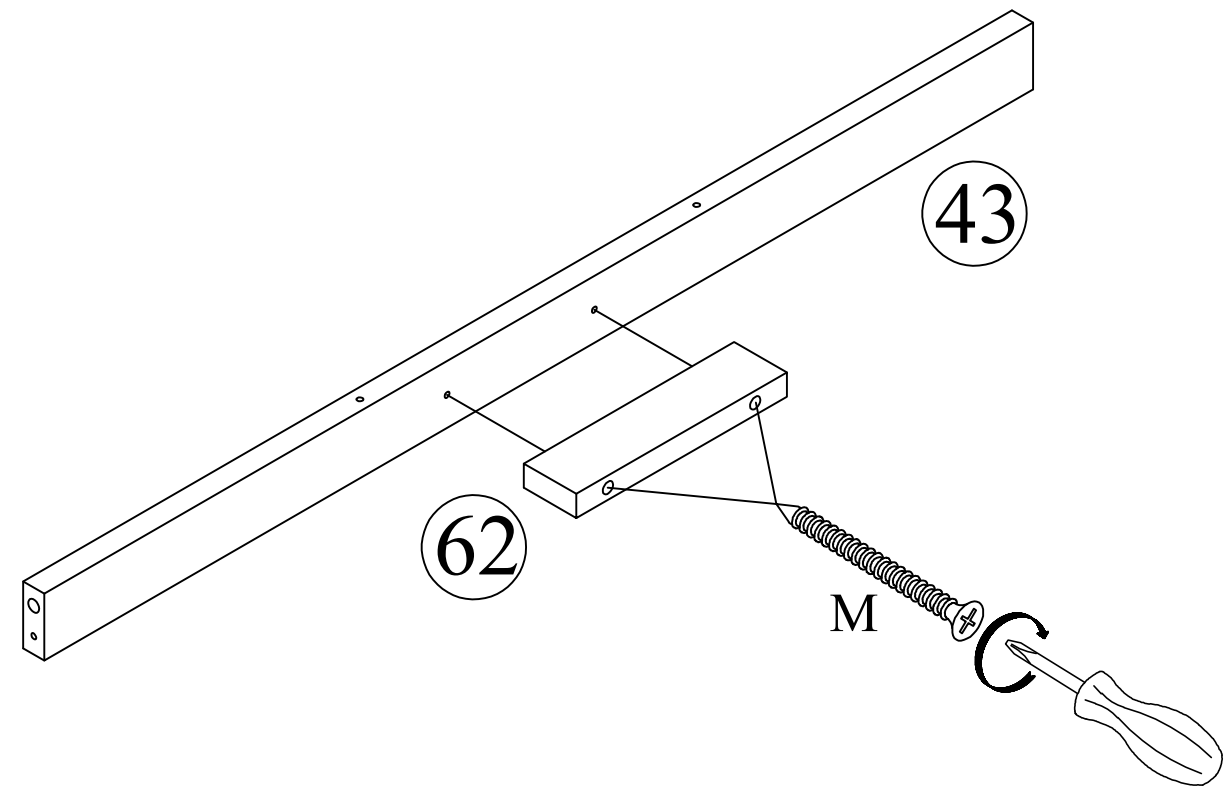
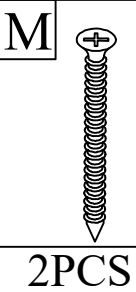
Step 30



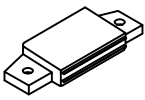

Step 31

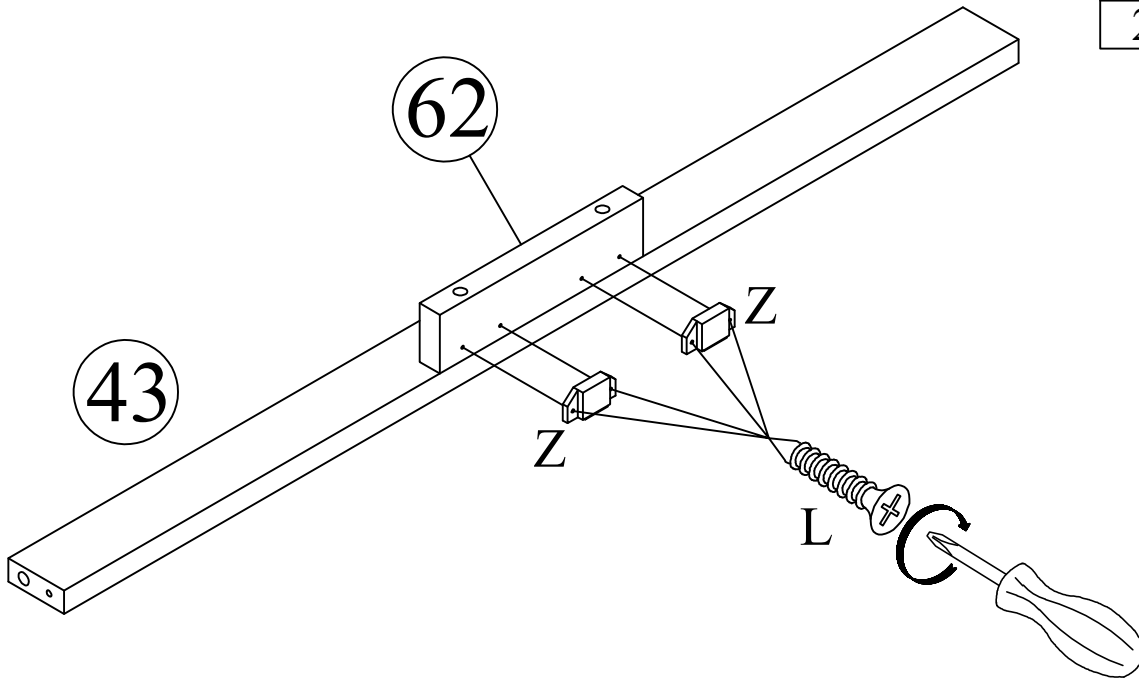


Step 32

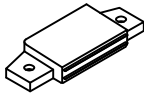


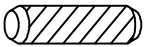


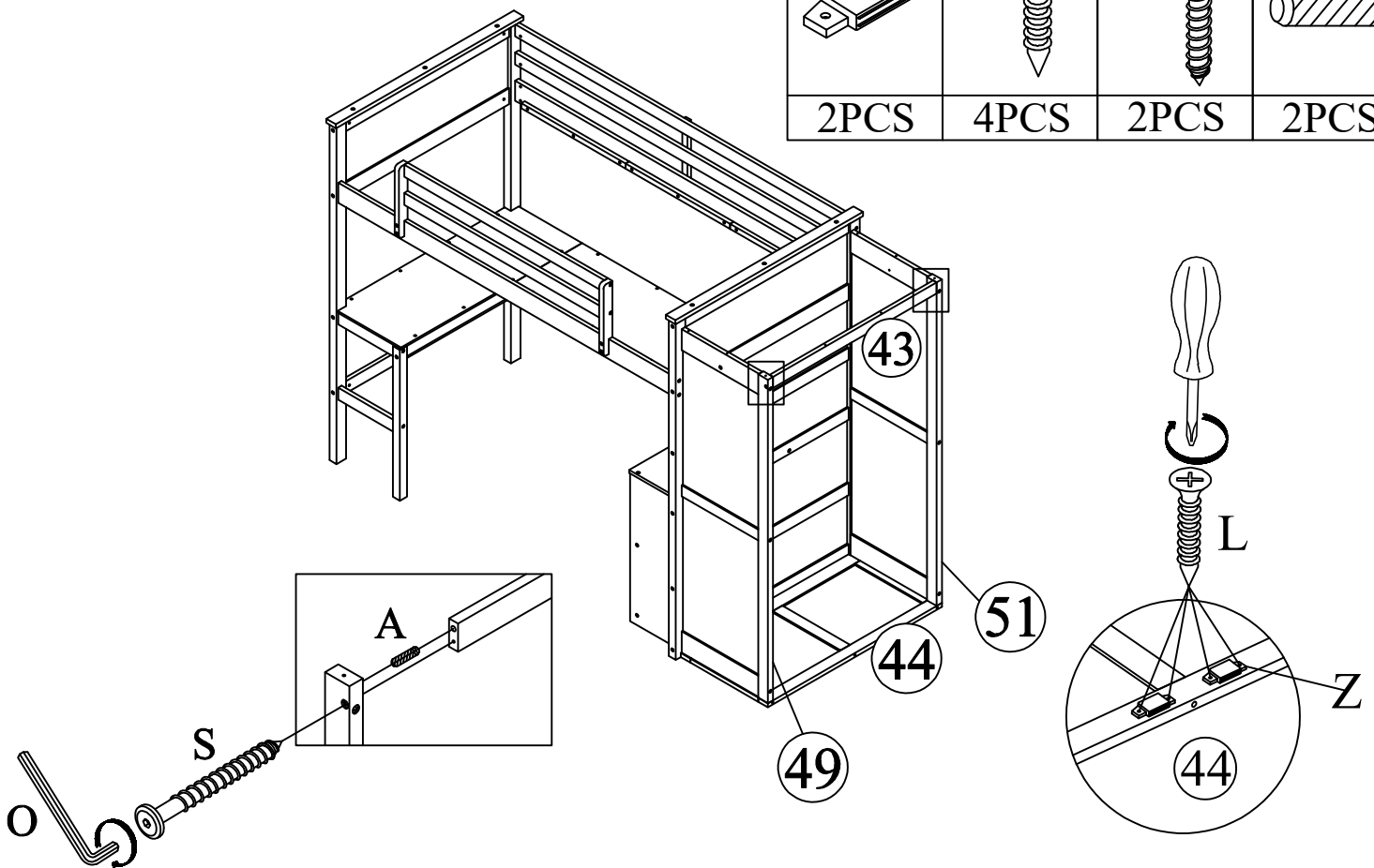
Step 33

Z	L
	
2PCS	4PCS

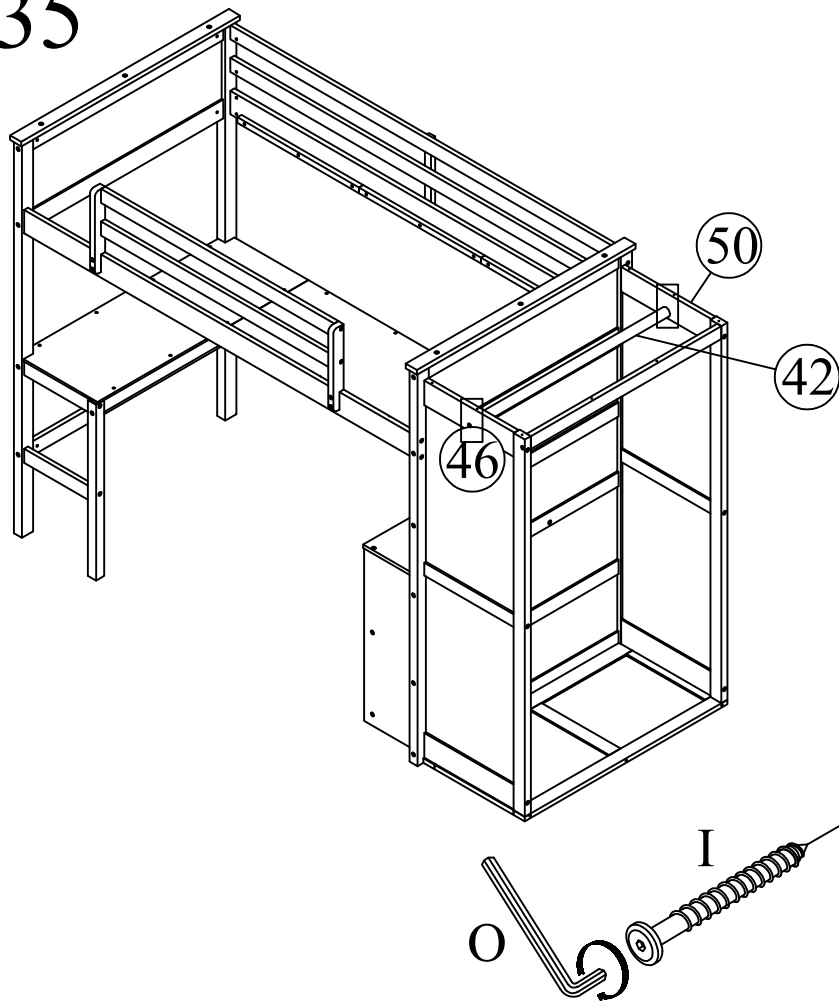



Step 34

Z	L	S	A
			
2PCS	4PCS	2PCS	2PCS

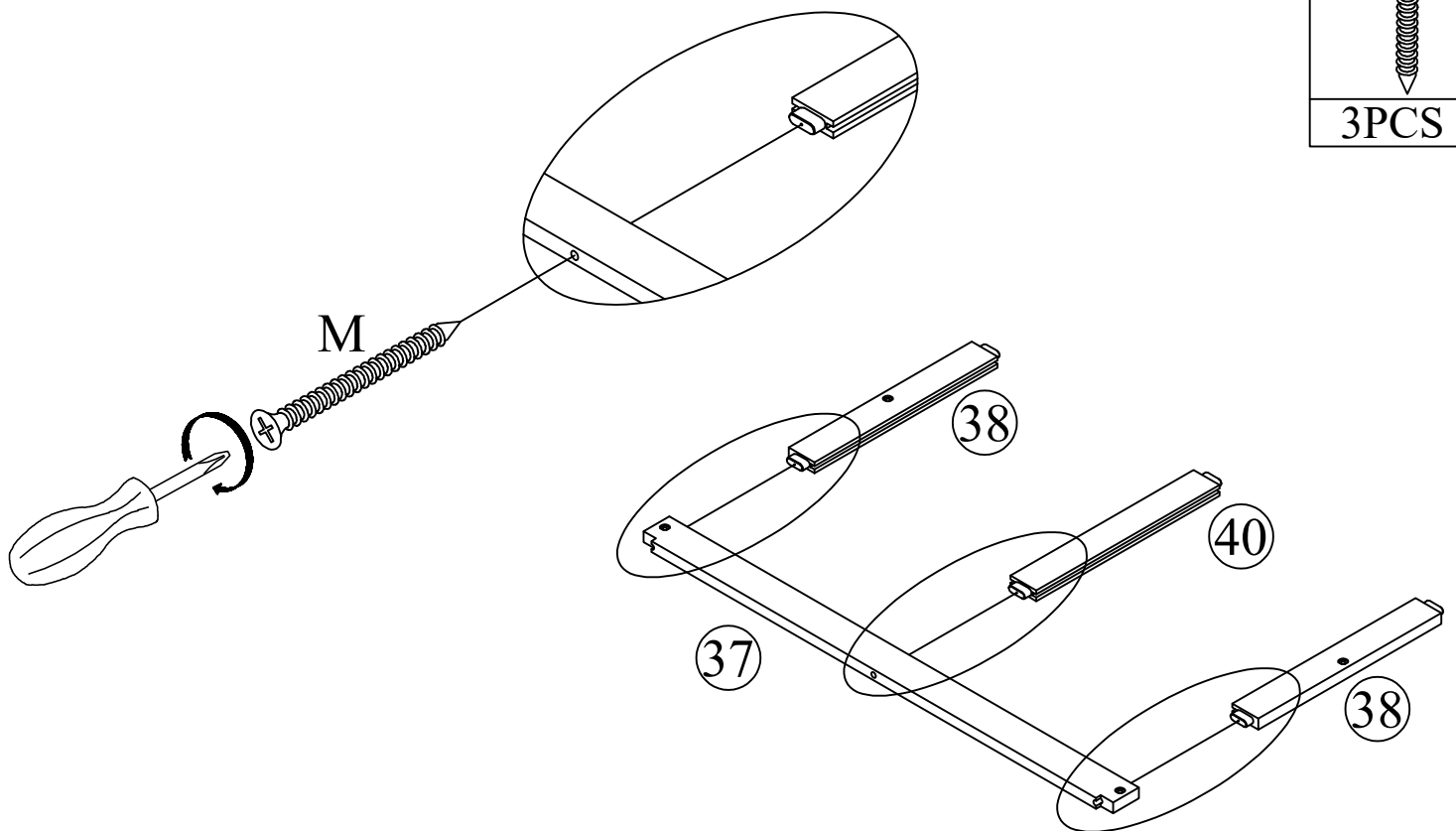



Step 35



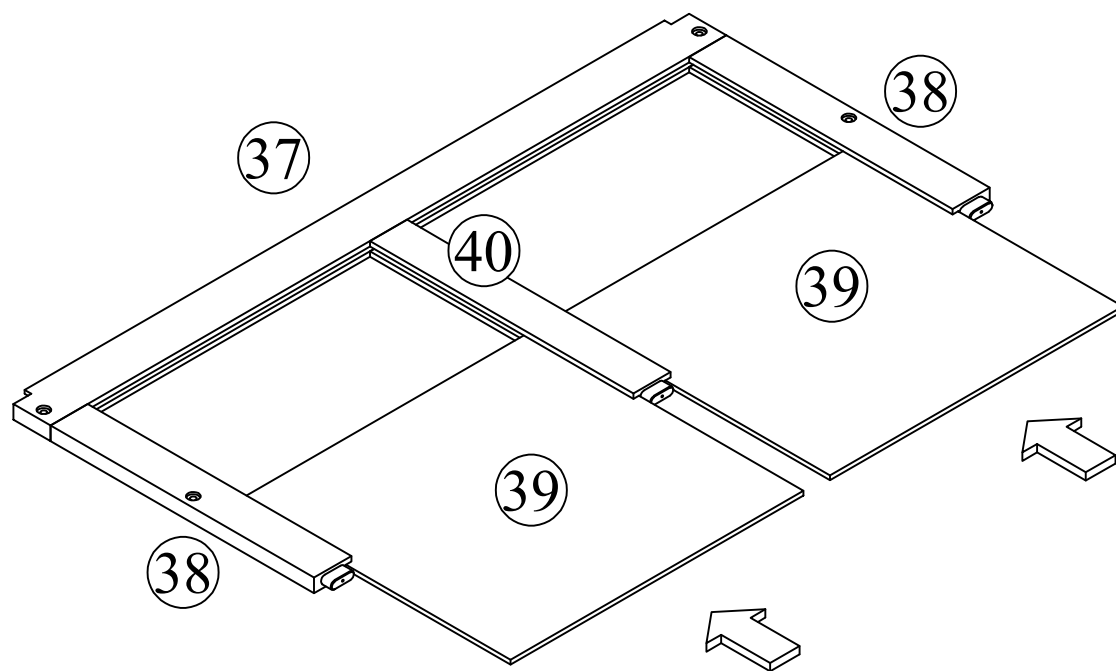
I	
2PCS	

Step 36

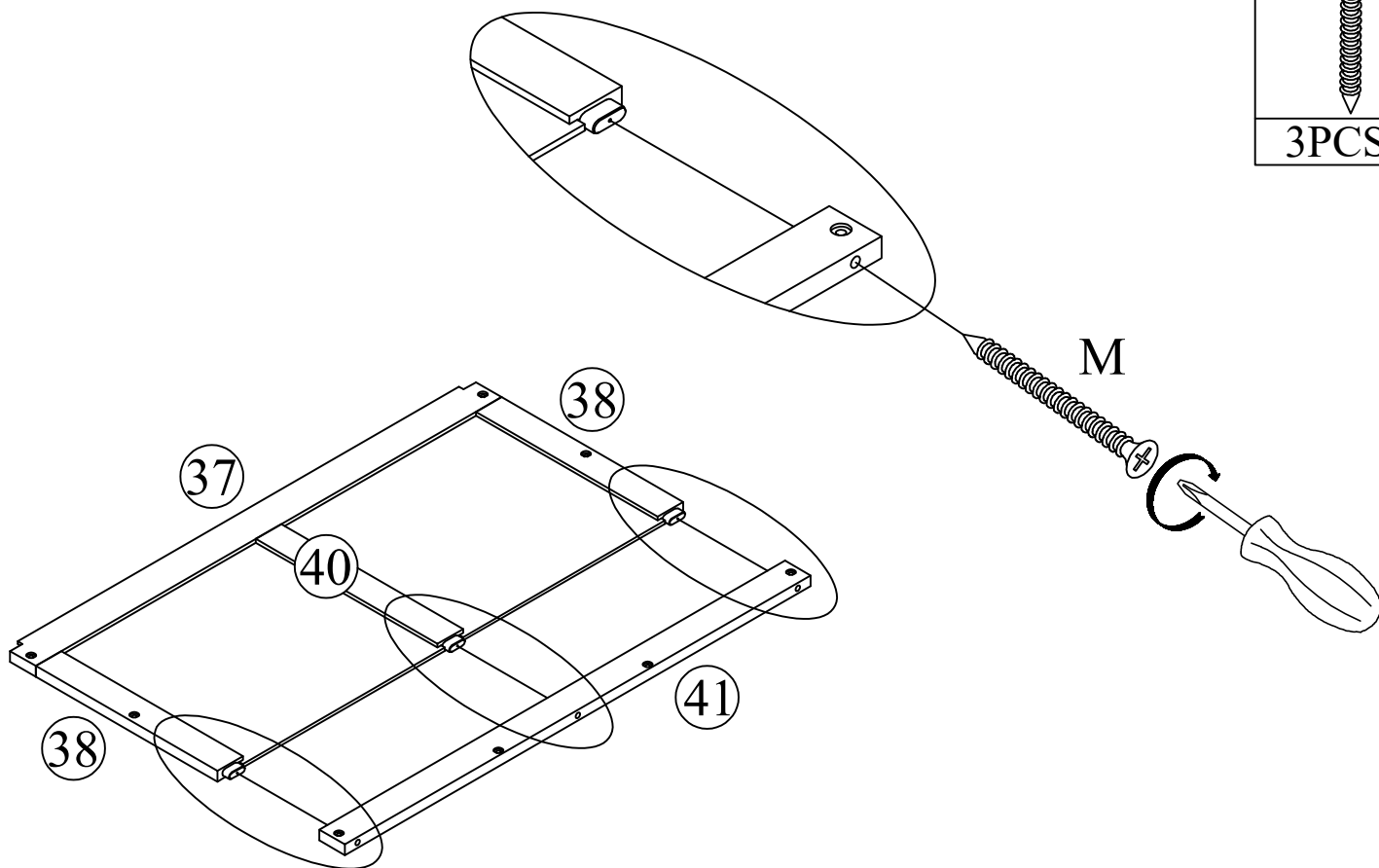


M	
3PCS	

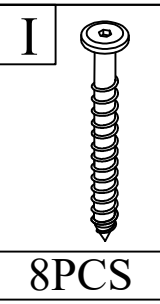
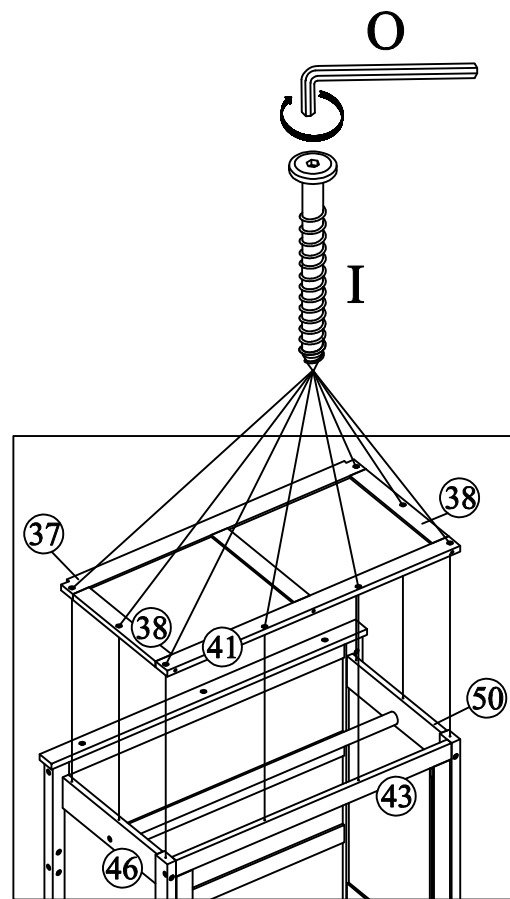
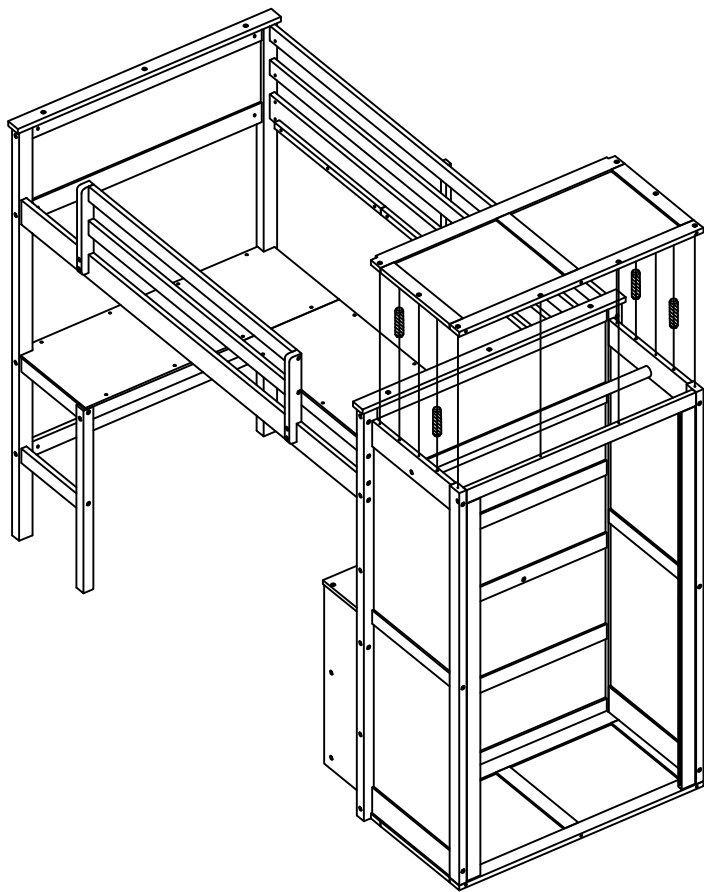
Step 37



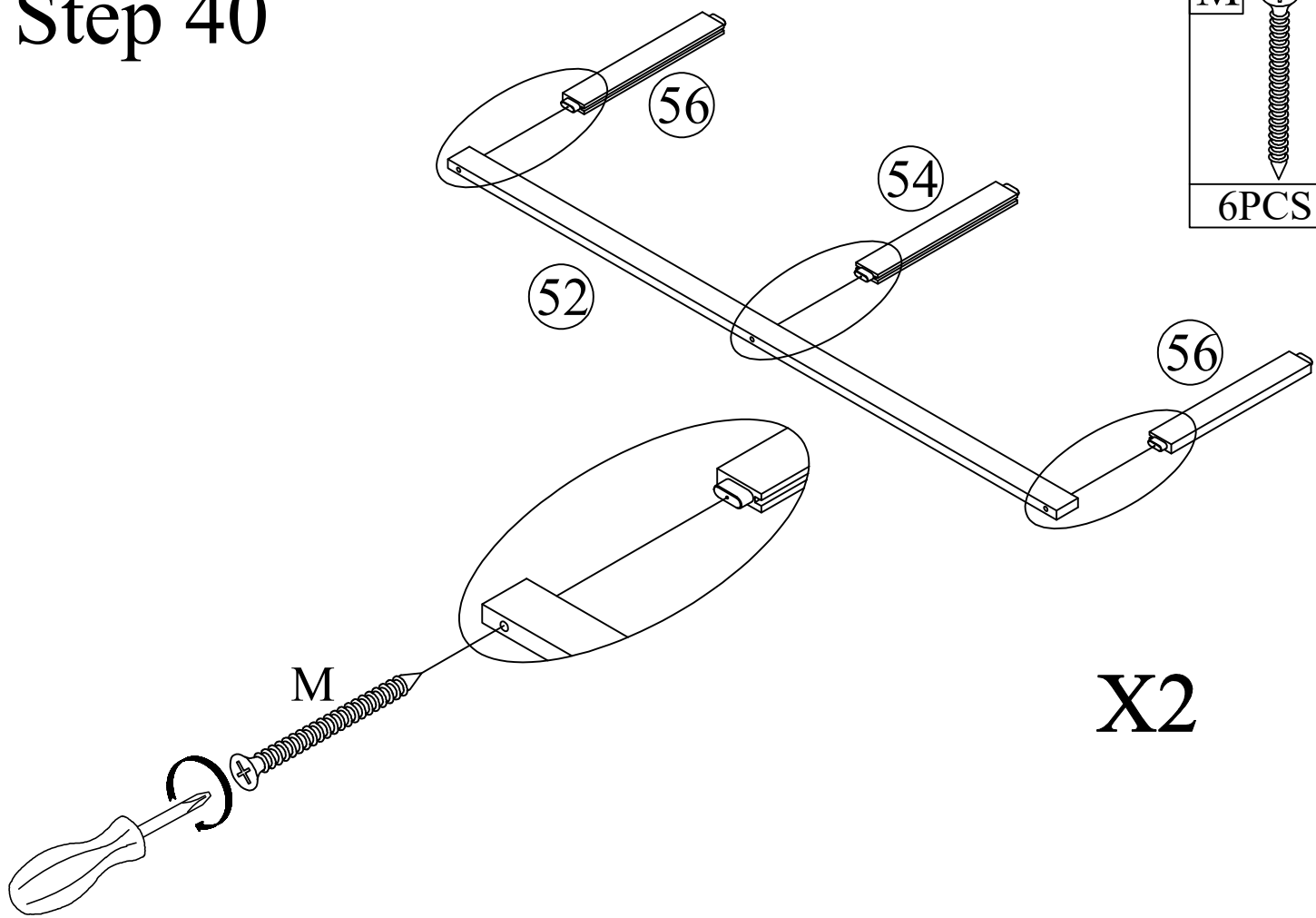
Step 38



Step 39

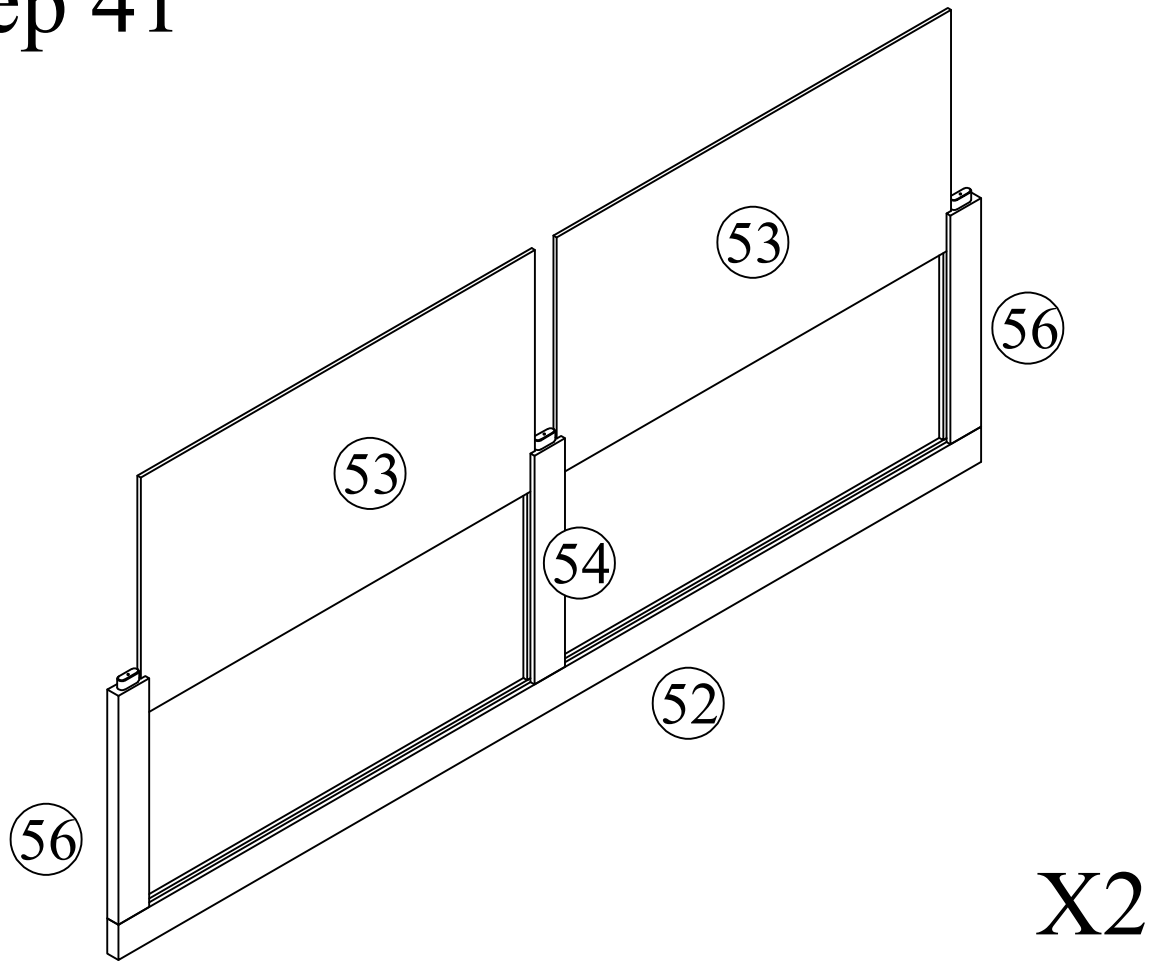


Step 40

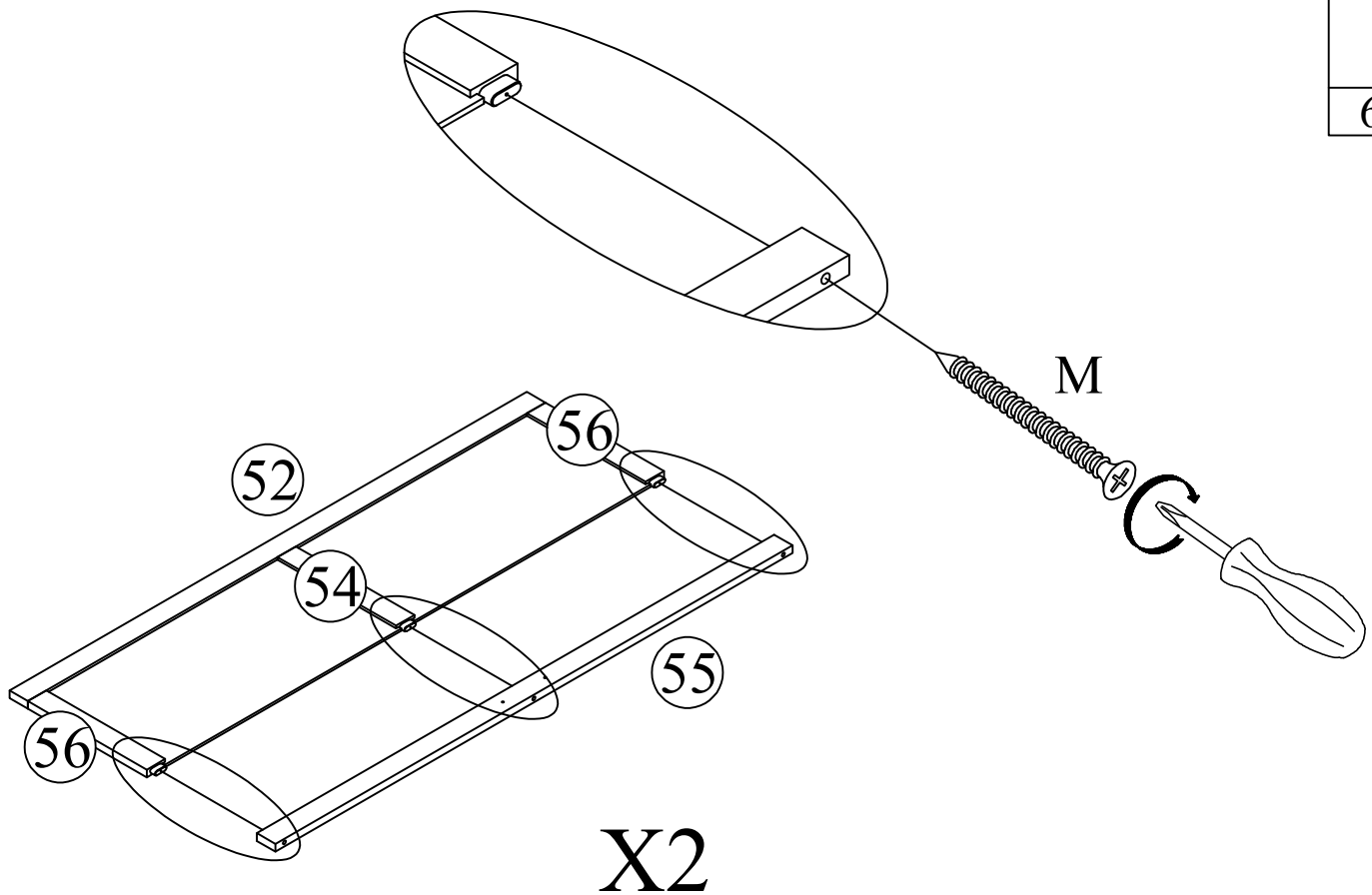


X2

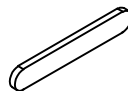
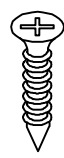
Step 41

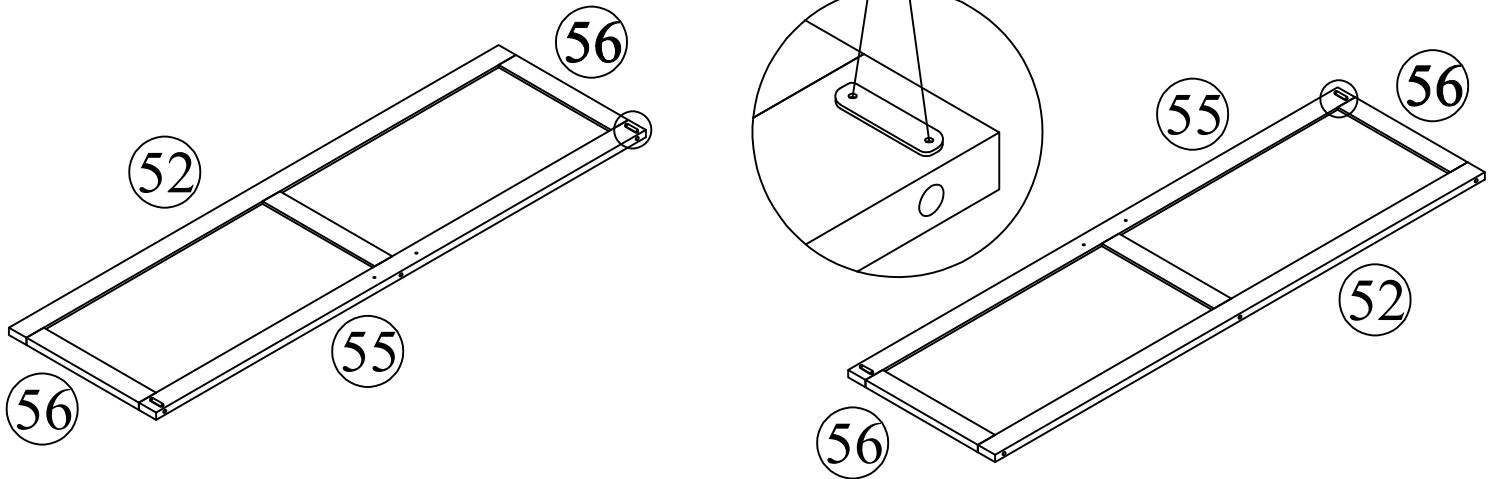


Step 42

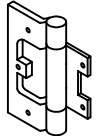
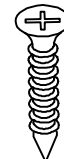


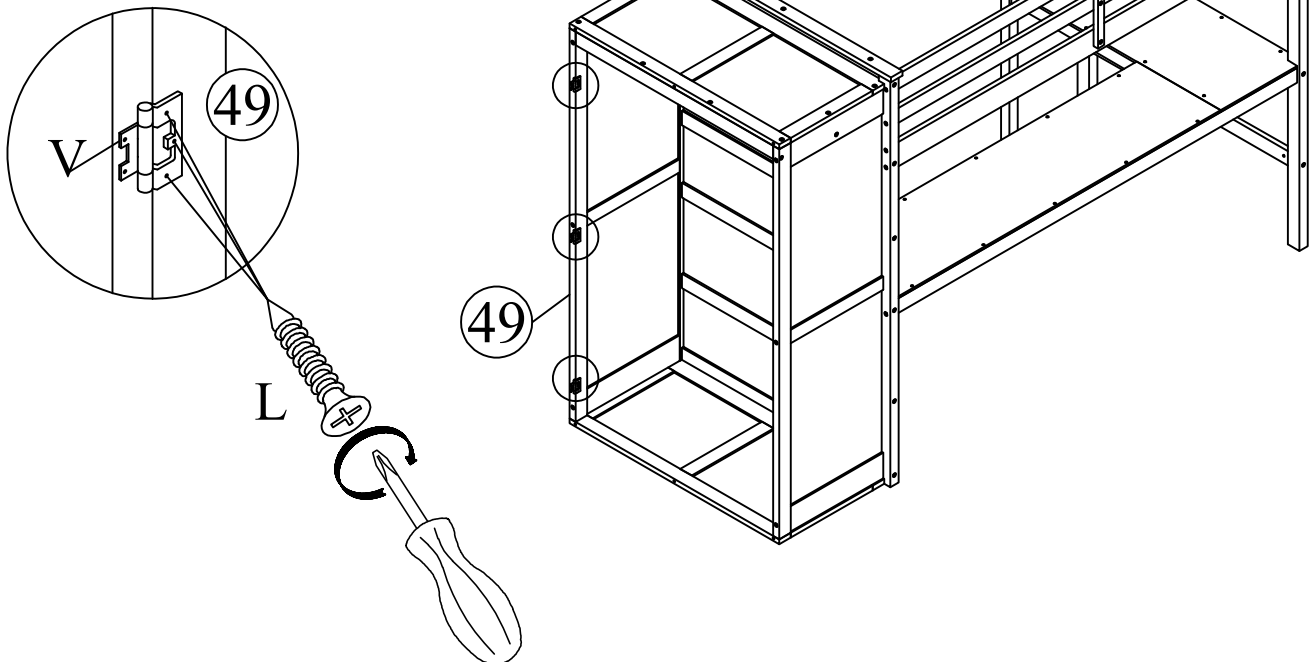
Step 43

Z1	Y
	
4PCS	8PCS



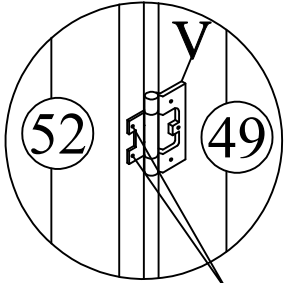
Step 44

V

3PCS
L

9PCS

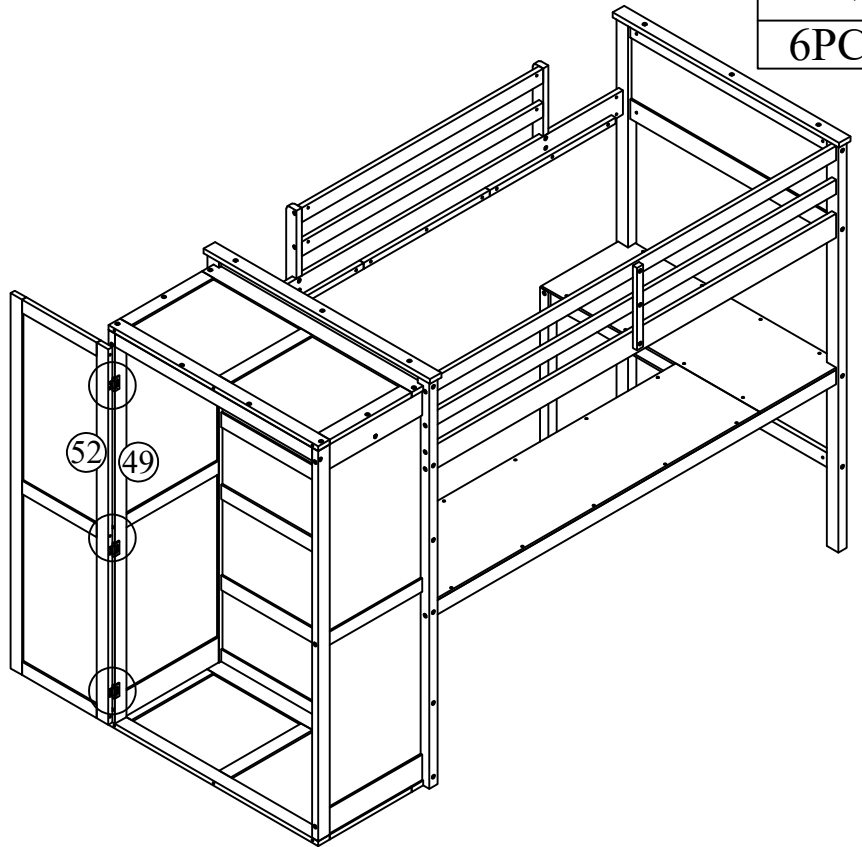
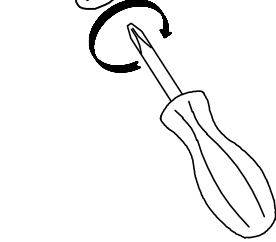


Step 45

L
6PCS

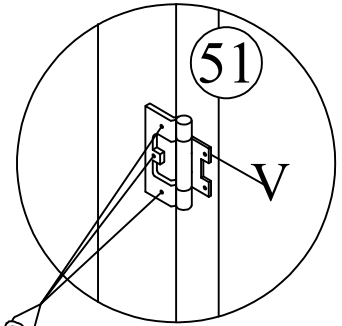
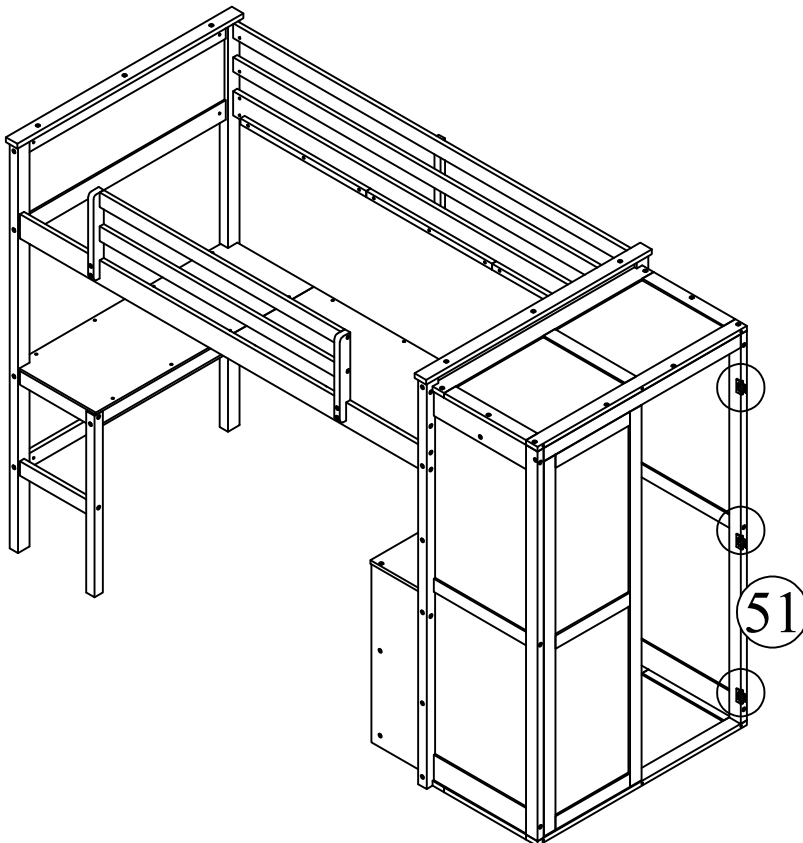


L



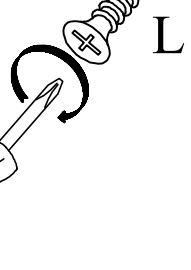
Step 46

V L
3PCS 9PCS

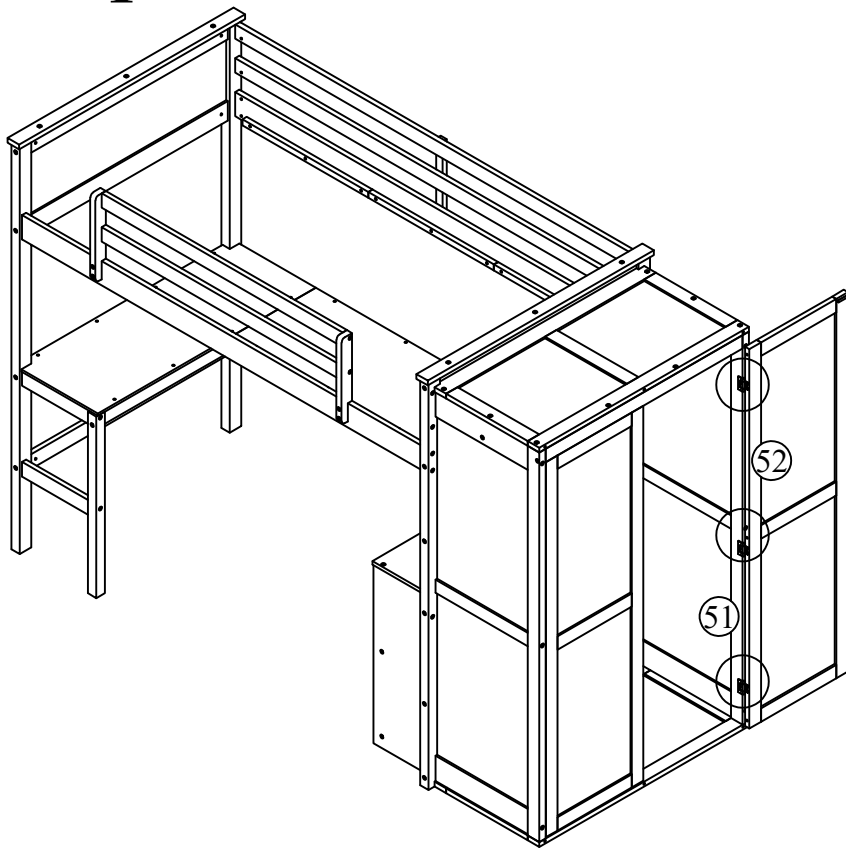


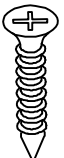
51

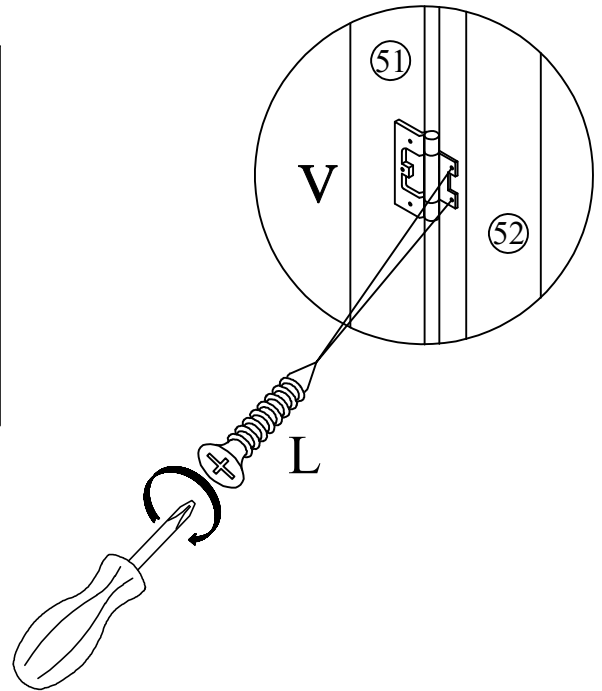
V



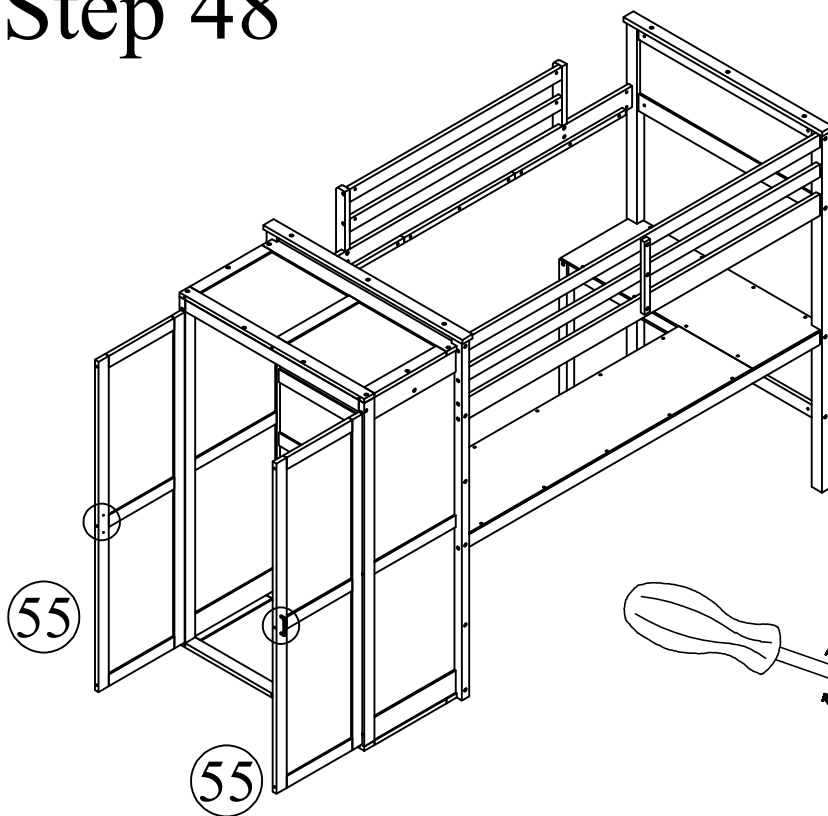
Step 47




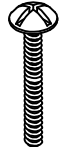
L

6PCS

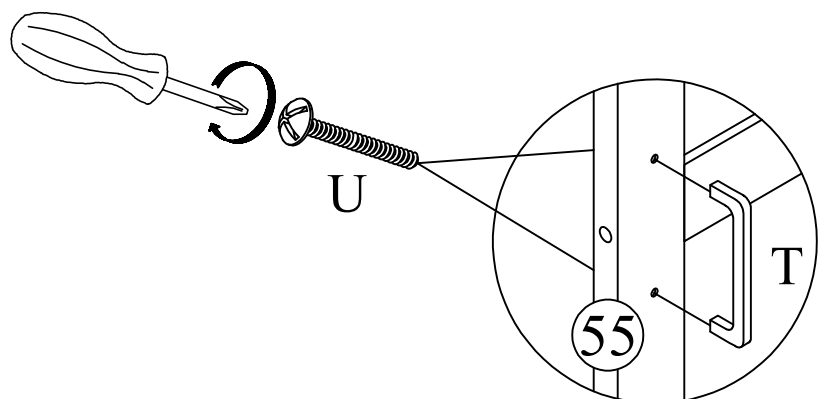


Step 48

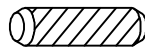




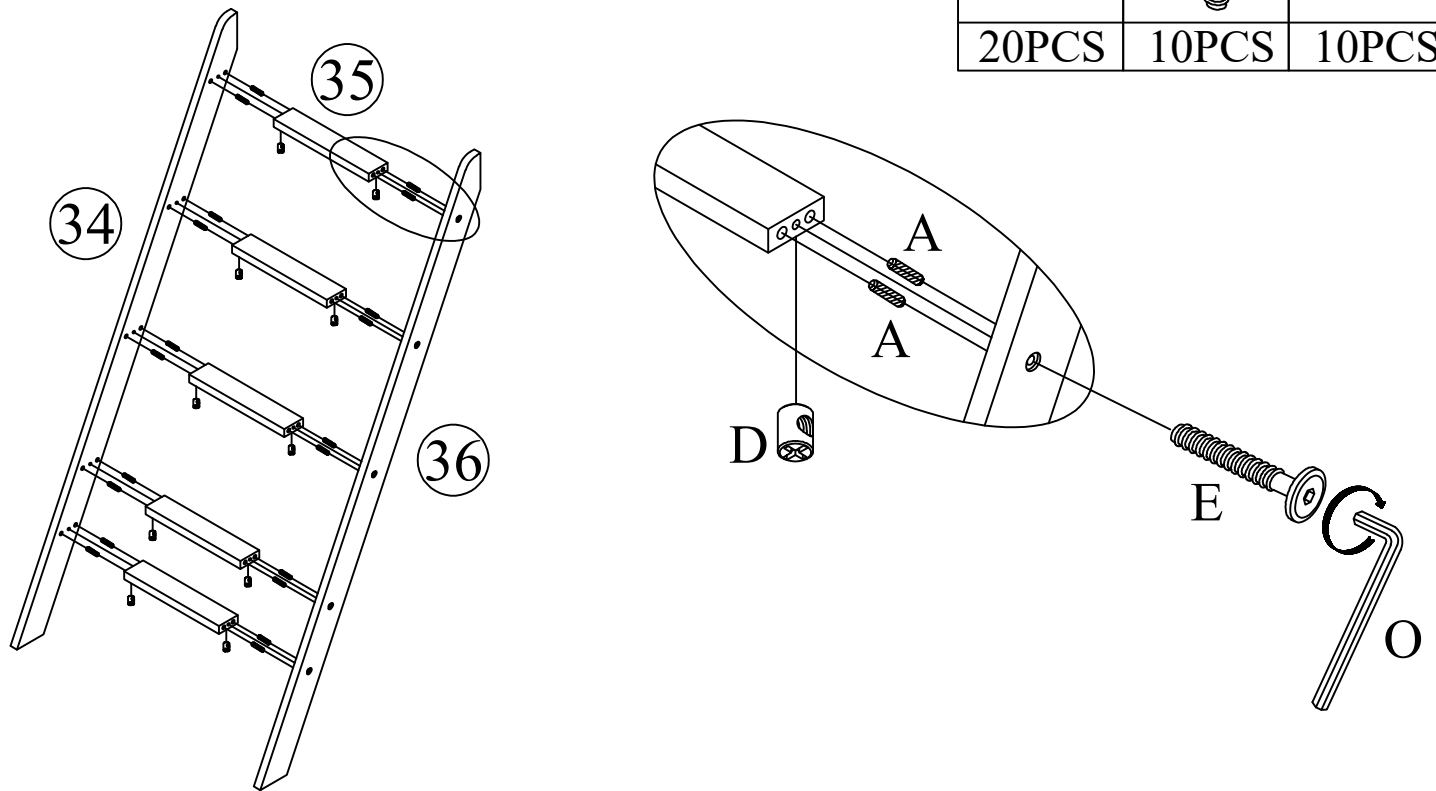
T

2PCS

U

4PCS


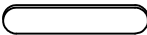



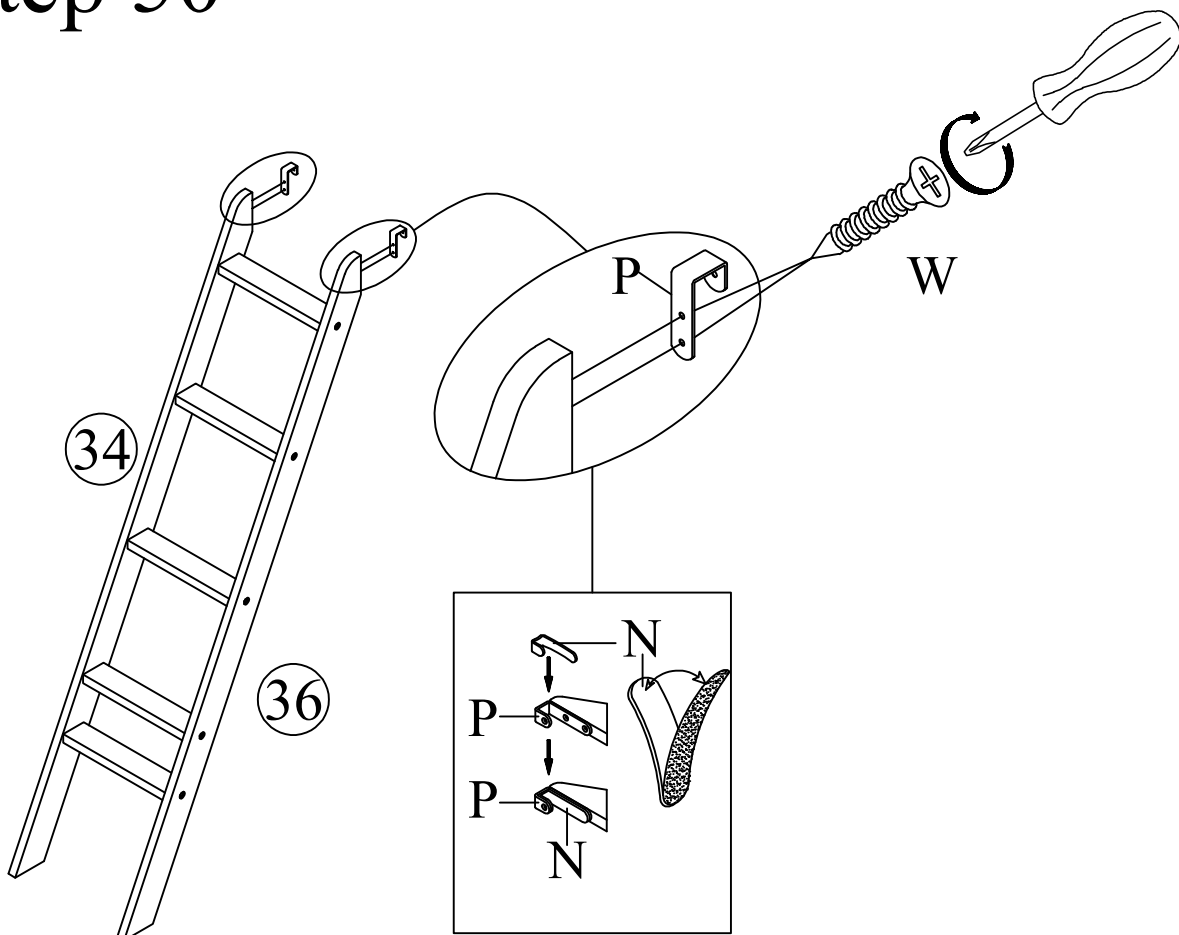
Step 49

A	E	D
		
20PCS	10PCS	10PCS

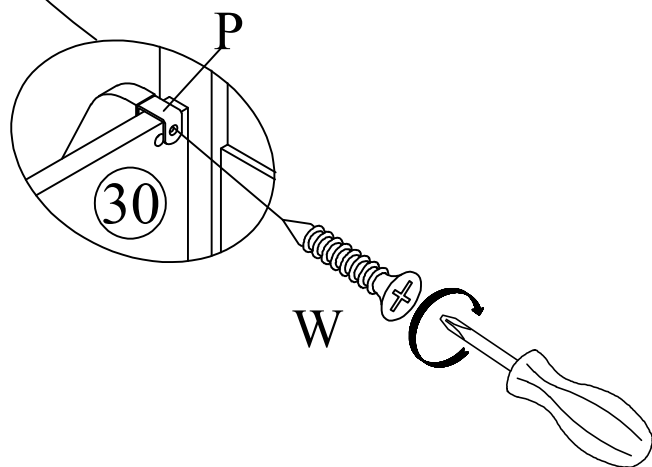
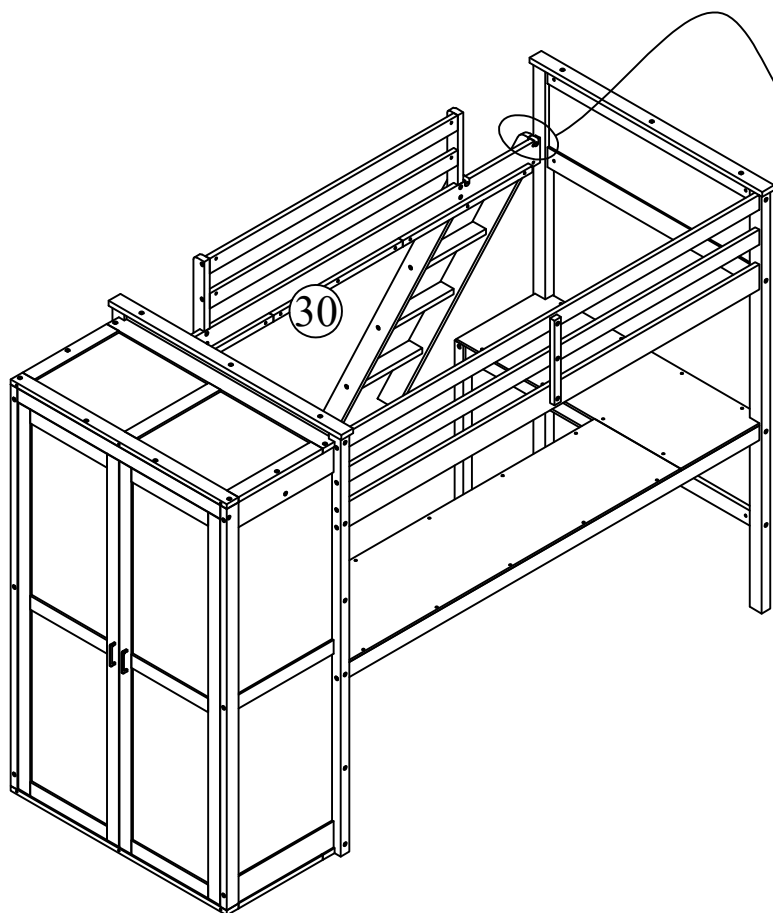


Step 50

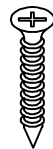
P	
2PCS	
N	
2PCS	
W	
4PCS	



Step 51

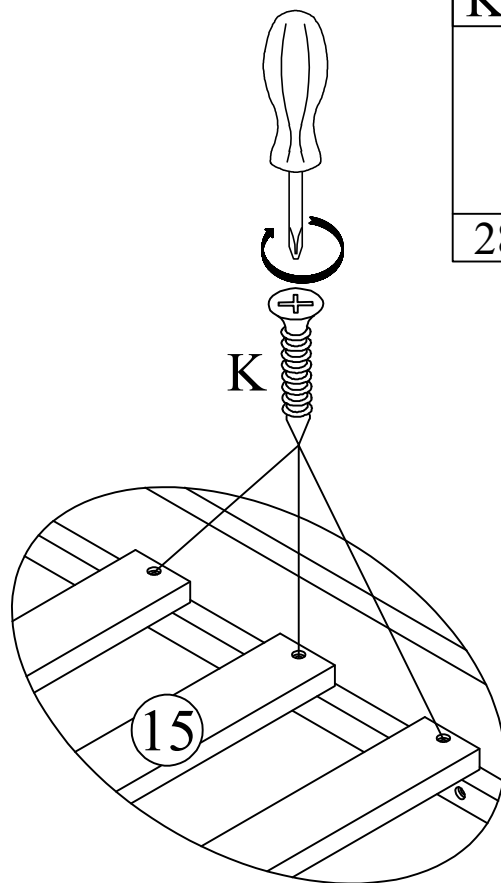
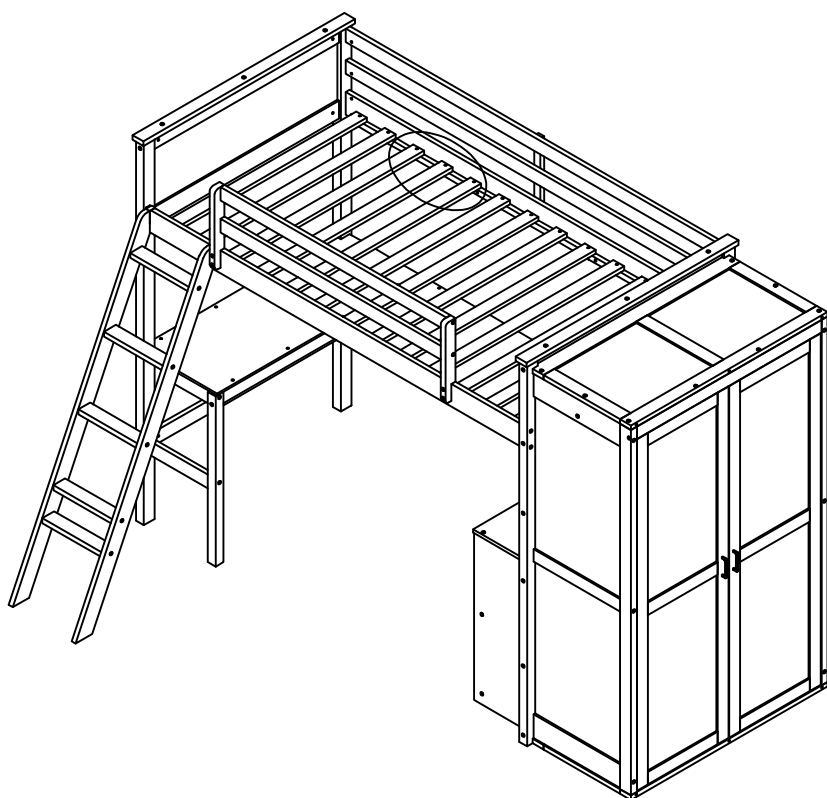


W



2PCS

Step 52



K



28PCS

COMPLETED

