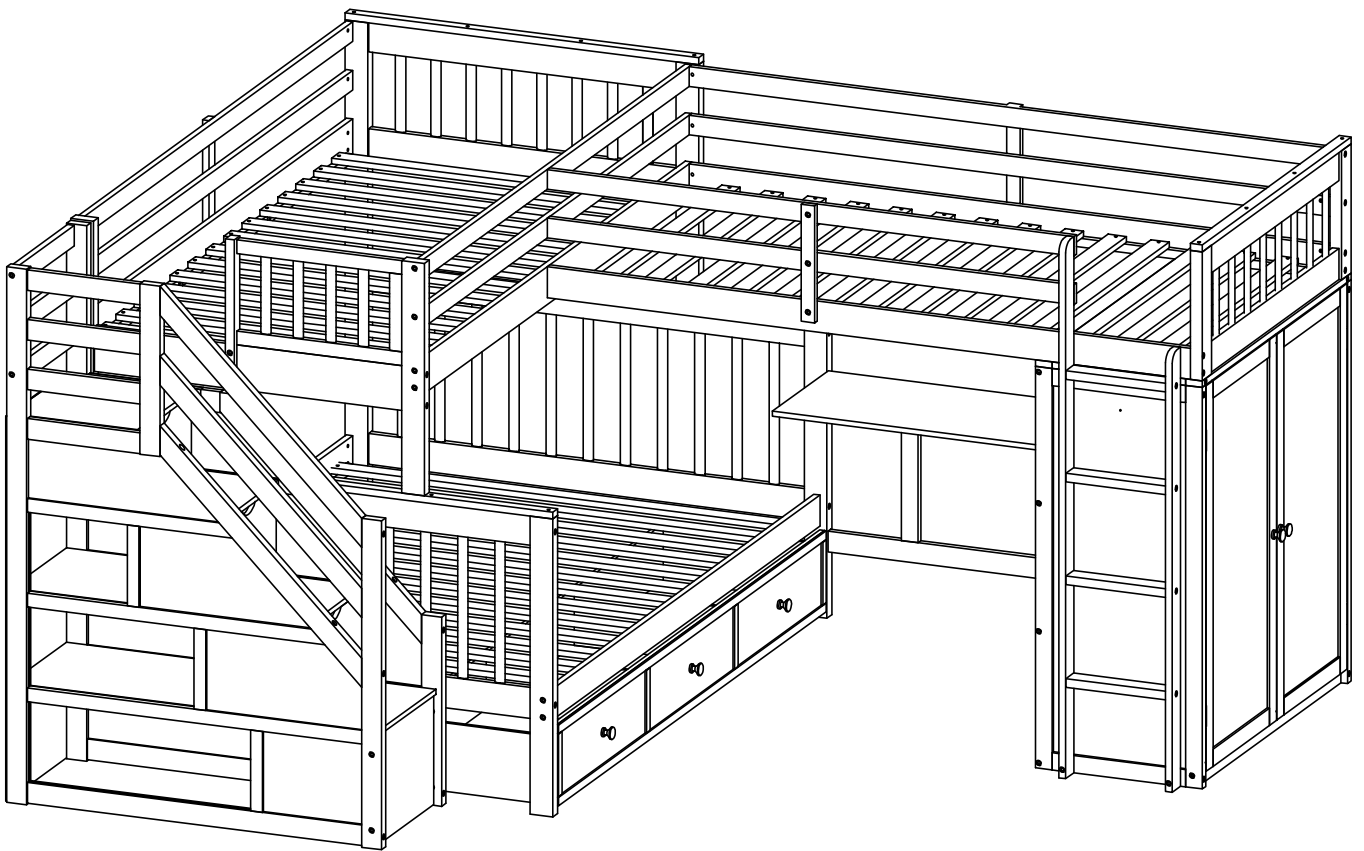


# ASSEMBLY INSTRUCTION

SKU CODE: (WF311464 - WF311465 - WF311466 - WF311467)



1. This bed is designed for use only mattress (es) meeting the following specifications on the upper bunk, and lower bunk

**Upper bed**

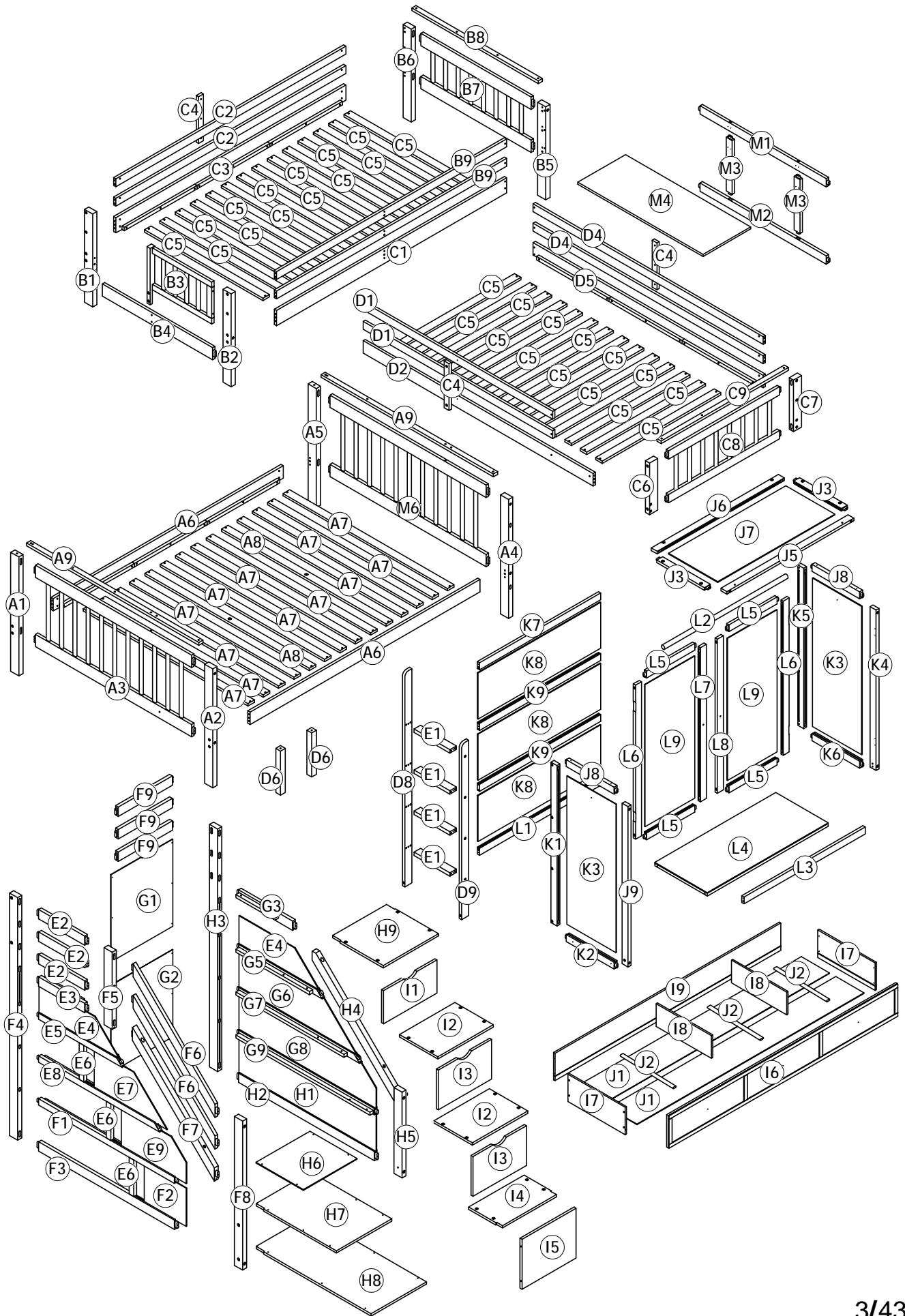
<b>Bed Type</b>	<b>Length</b>	<b>Width</b>	<b>Thickness</b>
<i>Twin Standard</i>	<i>74" - 75"</i>	<i>38 1/2"</i>	<i>6" max</i>

**Lower bed**



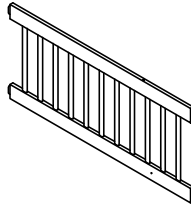

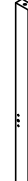
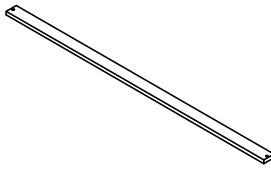
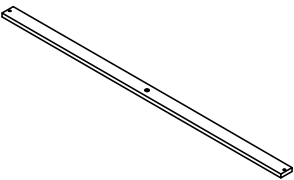
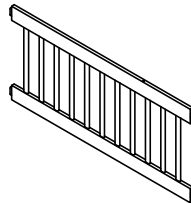




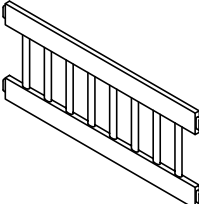
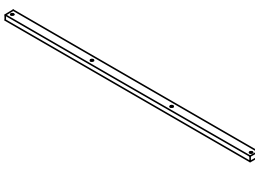

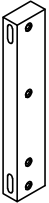
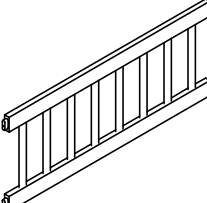
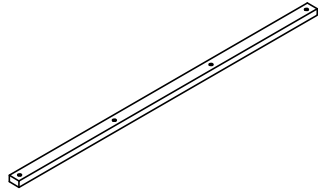

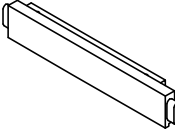
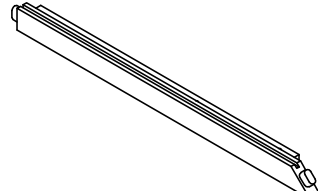
<b>Bed Type</b>	<b>Length</b>	<b>Width</b>	<b>Thickness</b>
<i>Full Standard</i>	<i>74" - 75"</i>	<i>53 1/2"</i>	<i>8" max</i>

2. Replacement parts, including additional guardrails, maybe obtained from any of our (GIGACLOUD TECHNOLOGY (USA) INC. 18961 ARENTH AVENUE CITY OF INDUSTRY, CA, 91748) dealers
3. Follow the information on the warnings appearing on the upper bunk bed end structure and on the carton. Do not remove warning label from bed
4. Always use the recommended size mattresses or mattress supports, or both, to help prevent the likelihood of entrapment or falls.
5. Surface of mattress must be at least 5" (127mm) below the upper edge of guardrails
6. Do not allow children under 6 years of age to use the upper bunk.
7. Periodically check and ensure that the guardrail, ladder, and other components are in their proper position, free from damage, and that all connectors are tight.
8. Do not allow horseplay on or under the bed and prohibit jumping on the bed.
9. Always use the ladder for entering and leaving the upper bunk.
10. Do not use substitute part. Contact the manufacture or dealer for replacement part
11. Use of a night light may provide added safety precaution for a child using the upper bunk..
12. Always use guardrails on both long sides of the upper bunk. If the bunk bed will be placed next to the wall, the guardrail that runs the full length of the bed should be placed against the wall to prevent entrapment between the bed and wall.
13. The use of water or sleep flotation mattresses is prohibited
14. STRANGULATION HAZARD - Never attach or hang items to any part of the bunk bed that are not designed for use with the bed; for example, but not limited to, hook, belts and jump ropes
15. Keep these instruction for future reference
16. Prohibit more than one person on upper bunk
17. We recommend assembling your bunk bed on the shipping carton to protect your floor or carpet
18. Be certain all staples are out of the box before beginning assembly on the shipping carton.



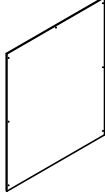
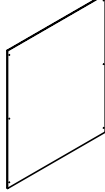
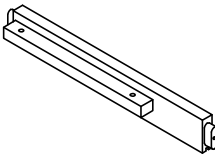
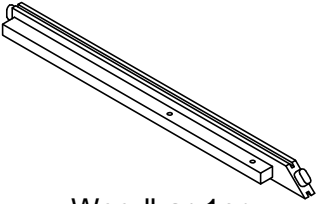
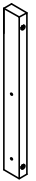
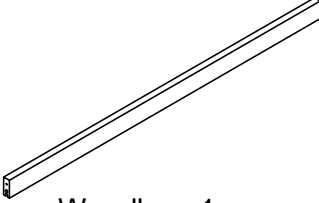
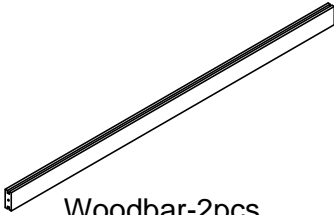
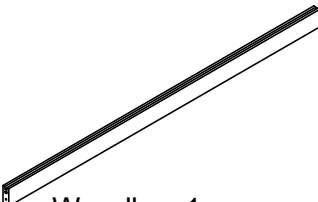


# ASSEMBLY INSTRUCTION



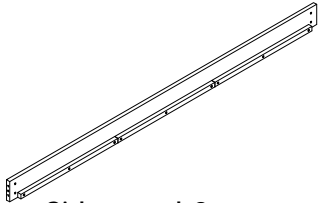
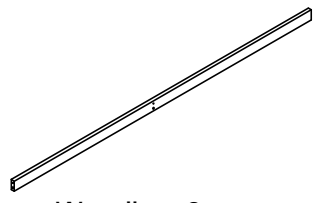
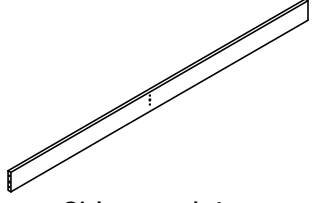

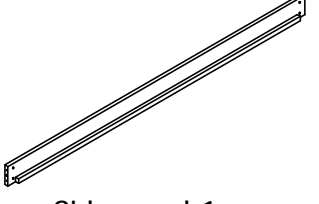

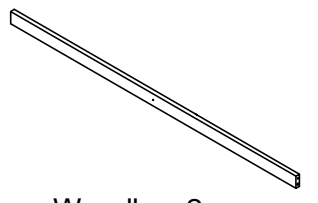


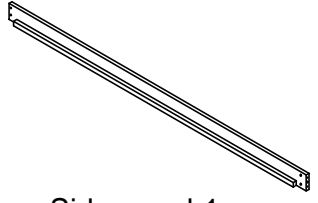



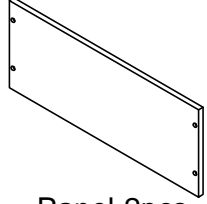
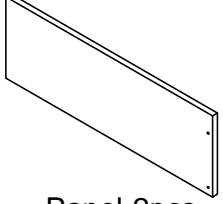
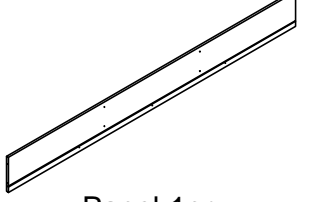
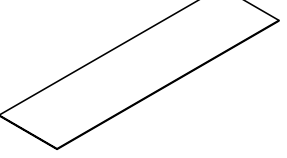
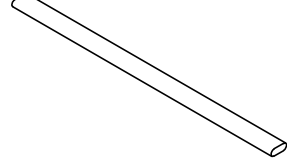
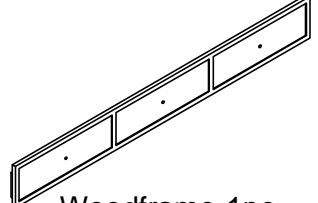
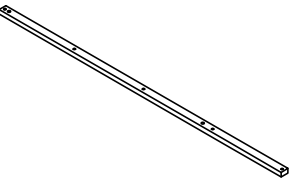
# Part List & Hardware List (Box 1-WF311464)

<p><b>A1</b></p>  <p>Woodleg-1pc</p>	<p><b>A2</b></p>  <p>Woodleg-1pc</p>	<p><b>A3</b></p>  <p>Woodframe-1pc</p>
<p><b>A4</b></p>  <p>Woodleg-1pc</p>	<p><b>A5</b></p>  <p>Woodleg-1pc</p>	<p><b>A7</b></p>  <p>Slat-12pcs</p>
<p><b>A8</b></p>  <p>Slat-2pcs</p>	<p><b>M6</b></p>  <p>Woodframe-1pc</p>	<p><b>B1</b></p>  <p>Woodleg-1pc</p>
<p><b>B2</b></p>  <p>Woodleg-1pc</p>	<p><b>B5</b></p>  <p>Woodleg-1pc</p>	<p><b>B6</b></p>  <p>Woodleg-1pc</p>
<p><b>B7</b></p>  <p>Woodframe-1pc</p>	<p><b>B8</b></p>  <p>Woodbar-1pc</p>	<p><b>C6</b></p>  <p>Woodleg-1pc</p>
<p><b>C7</b></p>  <p>Woodleg-1pc</p>	<p><b>C8</b></p>  <p>Woodframe-1pc</p>	<p><b>C9</b></p>  <p>Woodbar-1pc</p>
<p><b>D6</b></p>  <p>Woodleg-2pcs</p>	<p><b>E3</b></p>  <p>Woodbar-1pc</p>	<p><b>E5</b></p>  <p>Woodbar-1pc</p>

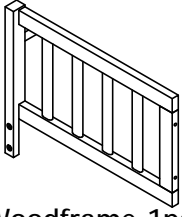
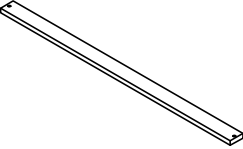
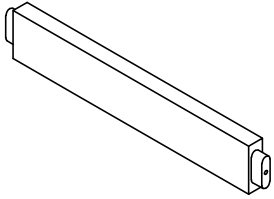

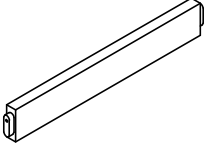

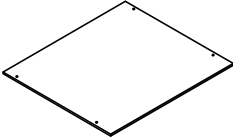
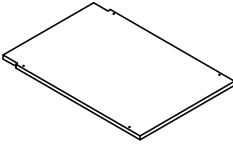
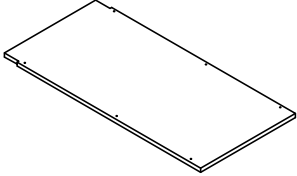
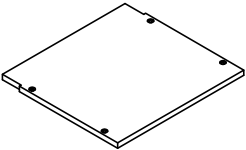
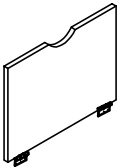
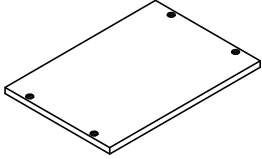
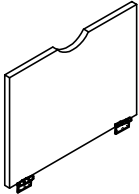
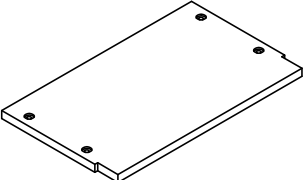
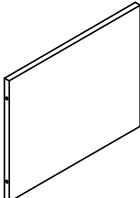
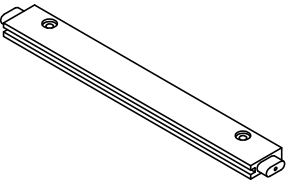
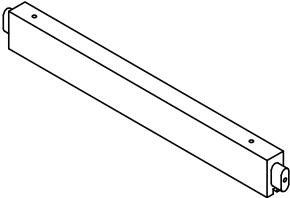
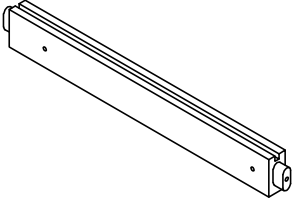
# Part List & Hardware List (Box 1-WF311464)

<b>F5</b>  Woodbar-1pc	<b>F8</b>  Woodbar-1pc	<b>G1</b>  Panel-1pc
<b>G2</b>  Panel-1pc	<b>G3</b>  Woodbar-1pc	<b>G5</b>  Woodbar-1pc
<b>H5</b>  Woodbar-1pc	<b>K7</b>  Woodbar -1pc	<b>K9</b>  Woodbar-2pcs
<b>L1</b>  Woodbar-1pc	<b>L7</b>  Woodbar-1pc	<b>L8</b>  Woodbar-1pc

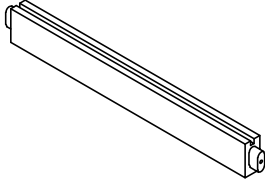
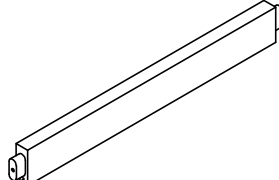

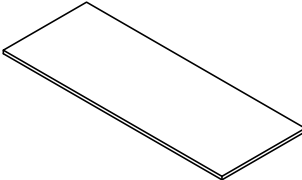
# Part List (Box 2-WF311465)

<p><b>A6</b></p>  <p>Side panel-2pcs</p>	<p><b>B9</b></p>  <p>Woodbar-2pcs</p>	<p><b>C1</b></p>  <p>Side panel-1pc</p>
<p><b>C2</b></p>  <p>Woodbar-2pcs</p>	<p><b>C3</b></p>  <p>Side panel-1pc</p>	<p><b>C4</b></p>  <p>Woodbar-3pcs</p>
<p><b>D1</b></p>  <p>Woodbar-2pcs</p>	<p><b>D2</b></p>  <p>Side panel-1pc</p>	<p><b>D4</b></p>  <p>Woodbar-2pcs</p>
<p><b>D5</b></p>  <p>Side panel-1pc</p>	<p><b>D8</b></p>  <p>Woodbar-1pc</p>	<p><b>D9</b></p>  <p>Woodbar-1pc</p>
<p><b>E6</b></p>  <p>Woodbar-3pcs</p>	<p><b>I7</b></p>  <p>Panel-2pcs</p>	<p><b>I8</b></p>  <p>Panel-2pcs</p>
<p><b>I9</b></p>  <p>Panel-1pc</p>	<p><b>J1</b></p>  <p>Panel-1pc</p>	<p><b>J2</b></p>  <p>Woodbar-3pcs</p>
<p><b>I6</b></p>  <p>Woodframe-1pc</p>	<p><b>A9</b></p>  <p>Woodbar-2pcs</p>	

# Part List (Box 3-WF311466)

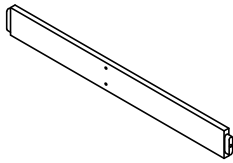
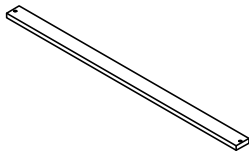
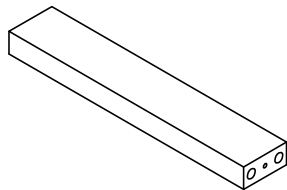
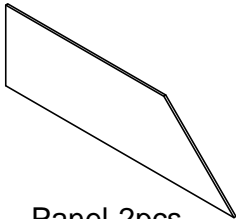
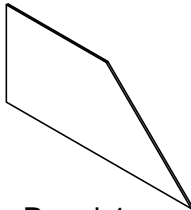
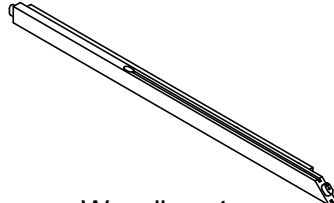
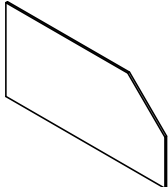
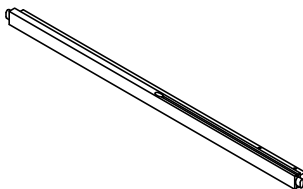
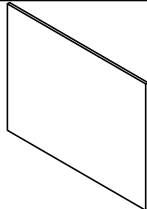
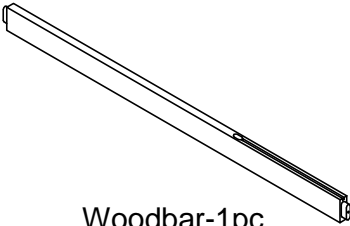
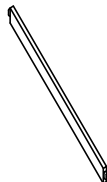
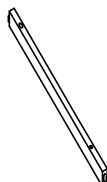
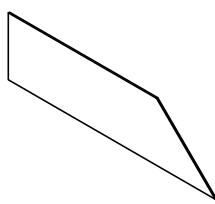
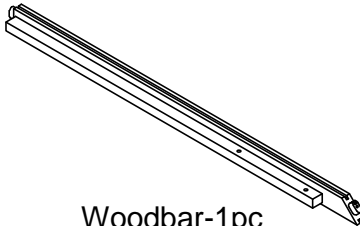
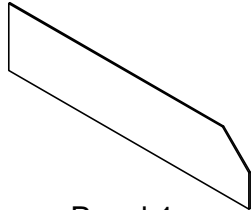
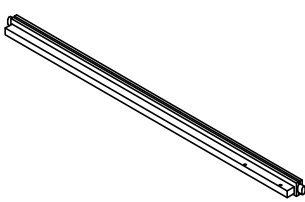
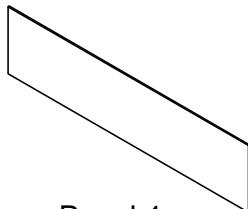
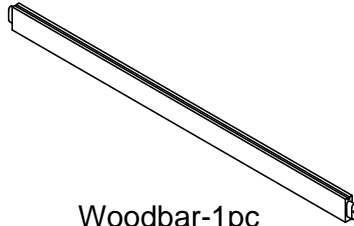
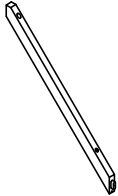
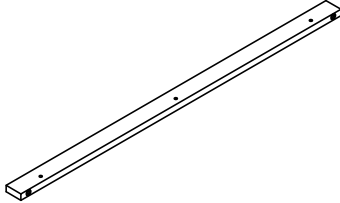
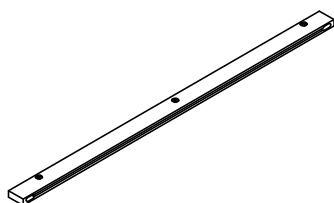
<p><b>B3</b></p>  <p>Woodframe-1pc</p>	<p><b>C5</b></p>  <p>Slat-14pcs</p>	<p><b>E2</b></p>  <p>Woodbar-3pcs</p>
<p><b>F4</b></p>  <p>Woodbar-1pc</p>	<p><b>F9</b></p>  <p>Woodbar-3pcs</p>	<p><b>H3</b></p>  <p>Woodbar-1pc</p>
<p><b>H6</b></p>  <p>Panel-1pc</p>	<p><b>H7</b></p>  <p>Panel-1pc</p>	<p><b>H8</b></p>  <p>Panel-1pc</p>
<p><b>H9</b></p>  <p>Panel-1pc</p>	<p><b>I1</b></p>  <p>Panel-1pc</p>	<p><b>I2</b></p>  <p>Panel-2pcs</p>
<p><b>I3</b></p>  <p>Panel-2pcs</p>	<p><b>I4</b></p>  <p>Panel-1pc</p>	<p><b>I5</b></p>  <p>Panel-1pc</p>
<p><b>J3</b></p>  <p>Woodbar-2pcs</p>	<p><b>J8</b></p>  <p>Woodbar-2pcs</p>	<p><b>K2</b></p>  <p>Woodbar-1pc</p>

# Part List (Box 3-WF311466)

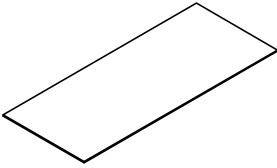





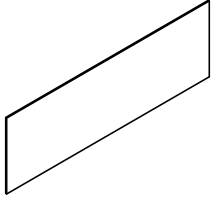
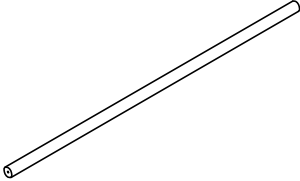
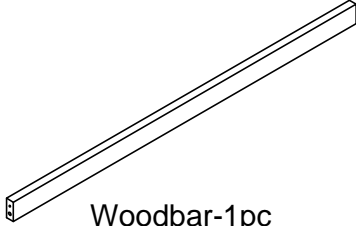
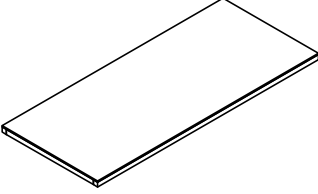

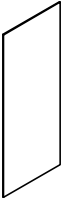
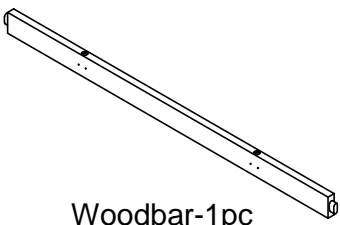
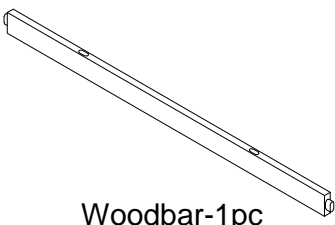
<b>K6</b>  Woodbar-1pc	<b>L5</b>  Woodbar-4pcs	<b>M3</b>  Woodbar-2pcs
<b>M4</b>  Panel-1pc		





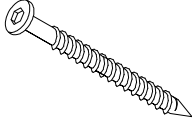
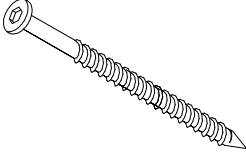
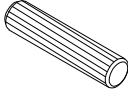
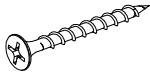
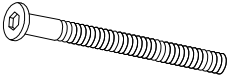


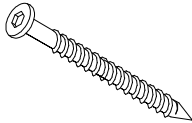
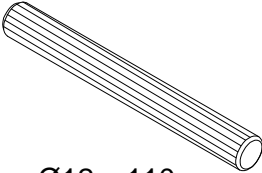
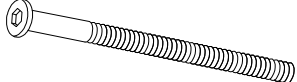
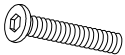

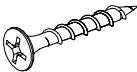
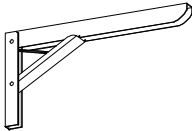
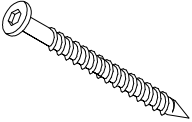
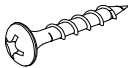
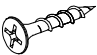
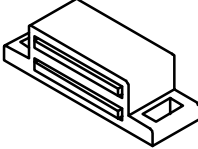
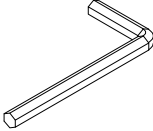
# Part List (Box 4-WF311467)

<p><b>B4</b></p>  <p>Panel-1pc</p>	<p><b>C5</b></p>  <p>Slat-14pcs</p>	<p><b>E1</b></p>  <p>Woodbar-4pcs</p>
<p><b>E4</b></p>  <p>Panel-2pcs</p>	<p><b>E7</b></p>  <p>Panel-1pc</p>	<p><b>E8</b></p>  <p>Woodbar-1pc</p>
<p><b>E9</b></p>  <p>Panel-1pc</p>	<p><b>F1</b></p>  <p>Woodbar-1pc</p>	<p><b>F2</b></p>  <p>Panel-1pc</p>
<p><b>F3</b></p>  <p>Woodbar-1pc</p>	<p><b>F6</b></p>  <p>Woodbar-2pcs</p>	<p><b>F7</b></p>  <p>Woodbar-1pc</p>
<p><b>G6</b></p>  <p>Panel-1pc</p>	<p><b>G7</b></p>  <p>Woodbar-1pc</p>	<p><b>G8</b></p>  <p>Panel-1pc</p>
<p><b>G9</b></p>  <p>Woodbar-1pc</p>	<p><b>H1</b></p>  <p>Panel-1pc</p>	<p><b>H2</b></p>  <p>Woodbar-1pc</p>
<p><b>H4</b></p>  <p>Woodbar-1pc</p>	<p><b>J5</b></p>  <p>Woodbar-1pc</p>	<p><b>J6</b></p>  <p>Woodbar-1pc</p>

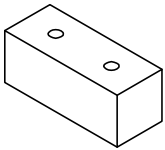
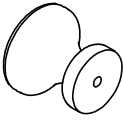

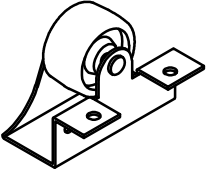

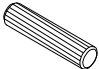
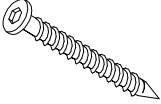
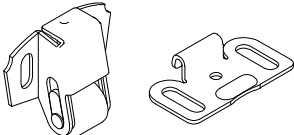
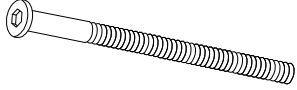
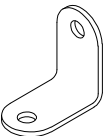
# Part List (Box 4-WF311467)

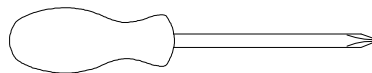
<b>J7</b>  Panel-1pc	<b>J9</b>  Woodbar-1pc	<b>K1</b>  Woodbar -1pc
<b>K3</b>  Panel-2pcs	<b>K4</b>  Woodbar -1pc	<b>K5</b>  Woodbar-1pc
<b>K8</b>  Panel-3pcs	<b>L2</b>  Woodbar-1pc	<b>L3</b>  Woodbar-1pc
<b>L4</b>  Woodframe-1pc	<b>L6</b>  Woodbar-2pcs	<b>L9</b>  Panel-2pcs
<b>M1</b>  Woodbar-1pc	<b>M2</b>  Woodbar-1pc	

# Hardware List (Box 1-WF311464)

<p>1</p>  <p>Ø1/4" x 15 mm T-nut 6pcs</p>	<p>2</p>  <p>Ø1/4" x 30 mm Hex-Head bolts 20pcs</p>	<p>3</p>  <p>Screws 1/4" x70 4pcs</p>
<p>4</p>  <p>Screws 1/4" x100 1pc</p>	<p>5</p>  <p>Ø10 x 40 mm Wood dowel 39pcs</p>	<p>6</p>  <p>M4 x 30 mm Wood Screws 123pcs</p>
<p>7</p>  <p>Ø1/4" x 70 mm Hex-Head bolts 4pcs</p>	<p>8</p>  <p>Ø1/4" x 12 mm Horizontal-Hole bolts 52pcs</p>	<p>9</p>  <p>Screws 1/4" x30 9pcs</p>
<p>10</p>  <p>Screws 1/4" x60 23pcs</p>	<p>11</p>  <p>Ø12 x 110 mm Wood dowel 4pcs</p>	<p>12</p>  <p>Ø1/4" x 80 mm Hex-Head bolts 30pcs</p>
<p>13</p>  <p>Ø1/4" x 40 mm Hex-Head bolts 8pcs</p>	<p>14</p>  <p>Screws 1/4" x50 25pcs</p>	<p>15</p>  <p>M4 x 20 mm Wood Screws 22pcs</p>
<p>16</p>  <p>Flap Hinge 2pcs</p>	<p>17</p>  <p>Screws 1/4" x80 16pcs</p>	<p>18</p>  <p>M4 x 15 mm Wood Screws 49pcs</p>
<p>19</p>  <p>M3 x 15 mm Wood Screws 60pcs</p>	<p>20</p>  <p>Magnet Door Catcher 8pcs</p>	<p>21</p>  <p>Allen Key 1pc</p>



# Hardware List (Box 1-WF311464)

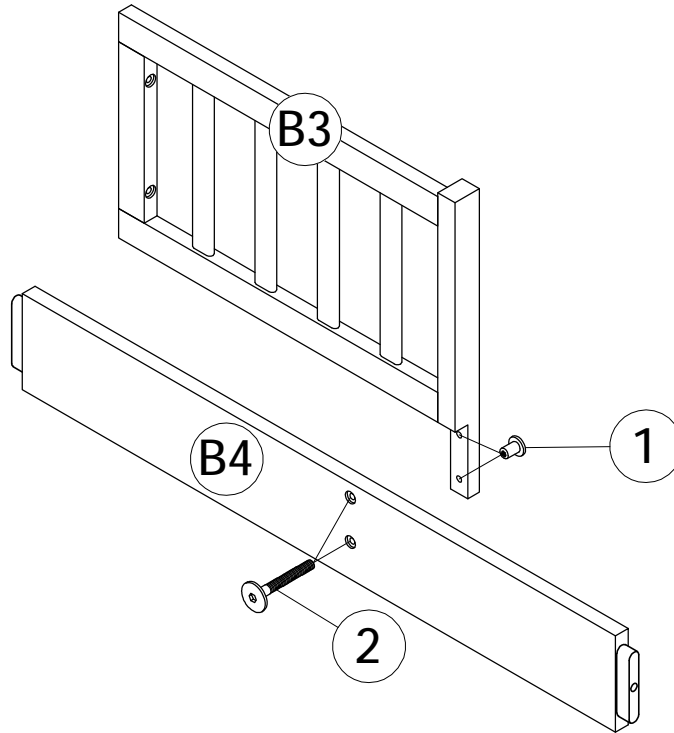
<p>22</p>  <p>Block Drawer - 2pcs</p>	<p>23</p>  <p>Wood Handle - 5pcs</p>	<p>24</p>  <p>Bolt <math>\text{\O}1/6''</math> x 25 mm 5pcs</p>
<p>25</p>  <p>Wheels 4pcs</p>	<p>26</p>  <p><math>\text{\O}1/4''</math> x 35 mm Hex-Head bolts 6pcs</p>	<p>27</p>  <p><math>\text{\O}8</math> x 30 mm Wood dowel 6pcs</p>
<p>28</p>  <p>Screws <math>1/4''</math> x40 11pcs</p>	<p>29</p>  <p>Door Wheel Catcher 2 sets</p>	<p>30</p>  <p><math>\text{\O}1/4''</math> x 100 mm Hex-Head bolts 18pcs</p>
<p>31</p>  <p>Metal L Pat 2pcs</p>		






**Assembly Tools Required (Not Included)**

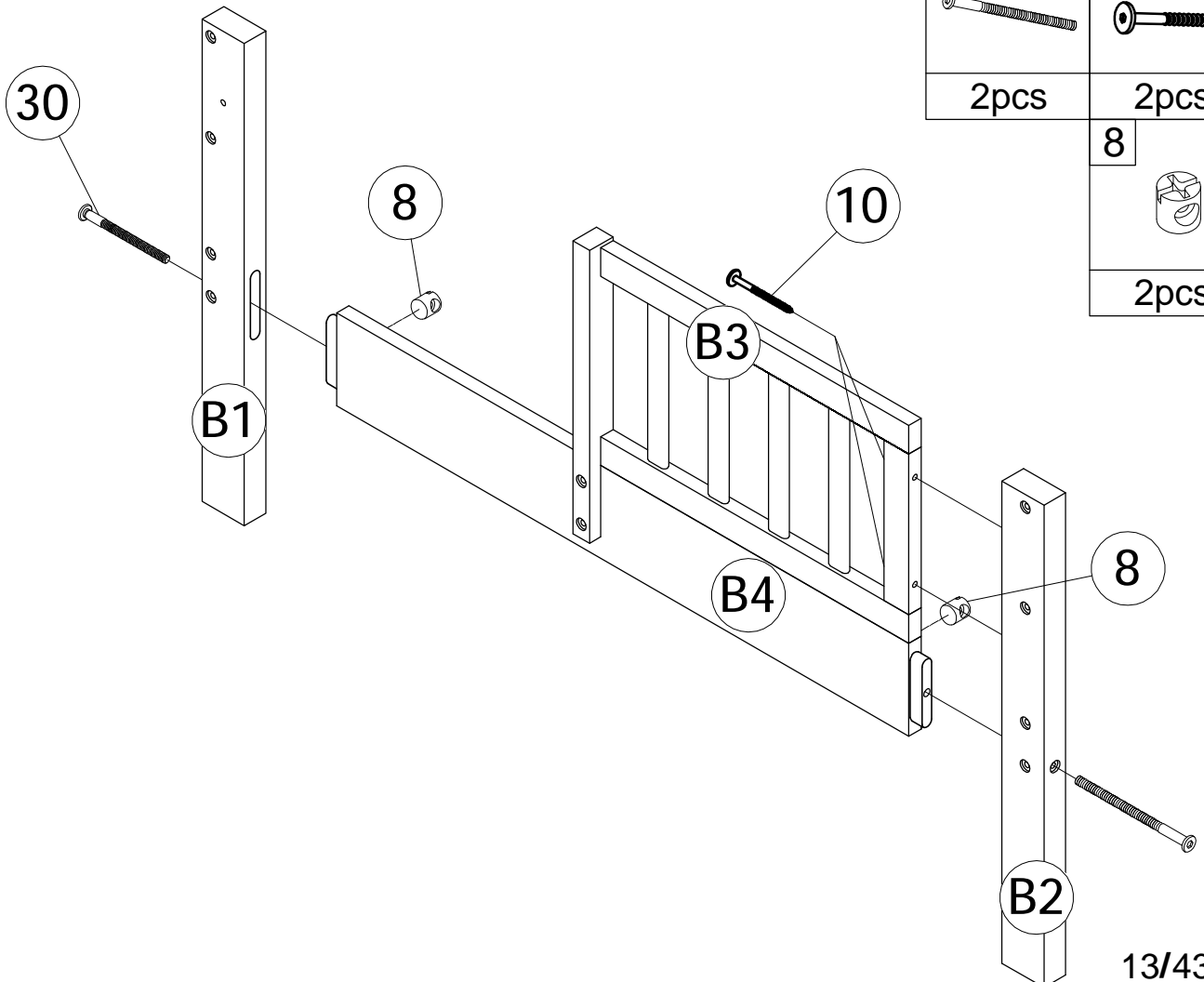
**STEP1:** Following below illustration.

<p>2</p> 	<p>1</p> 
<p>2pcs</p>	<p>2pcs</p>

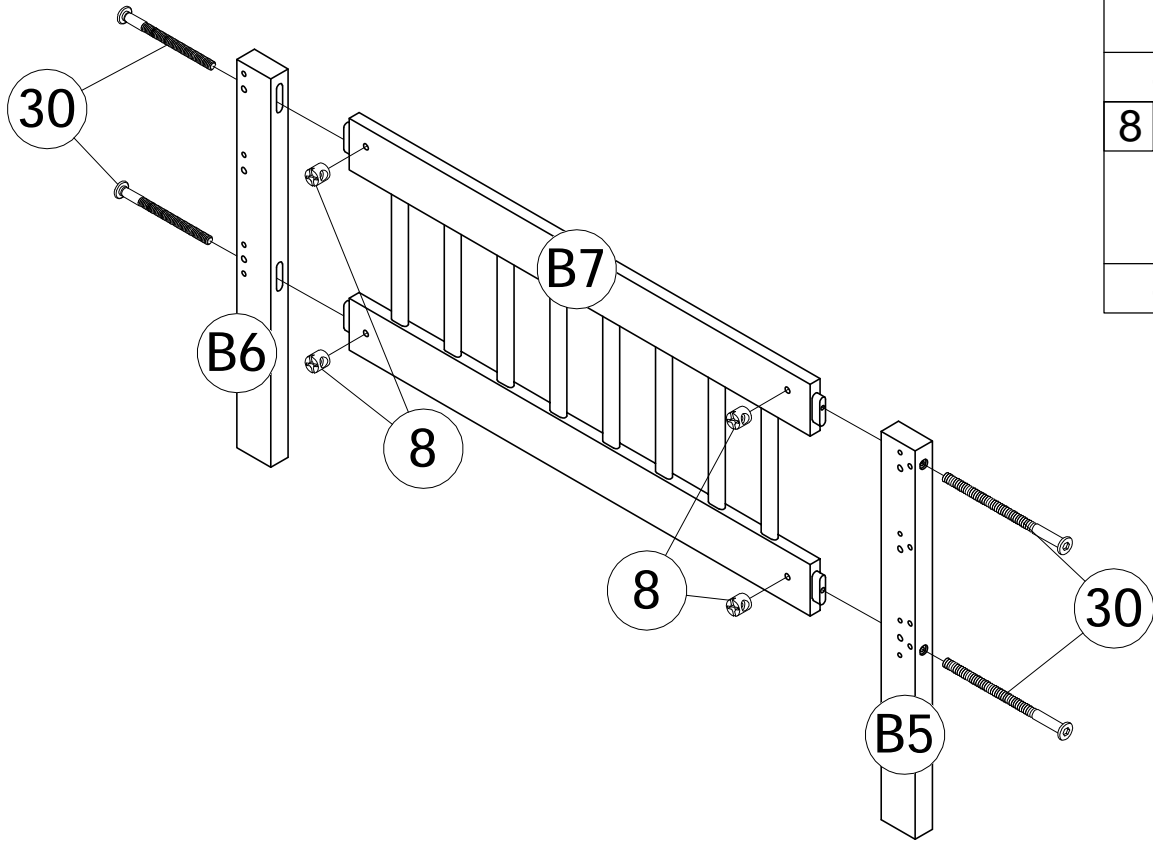


**STEP2:** Following below illustration.

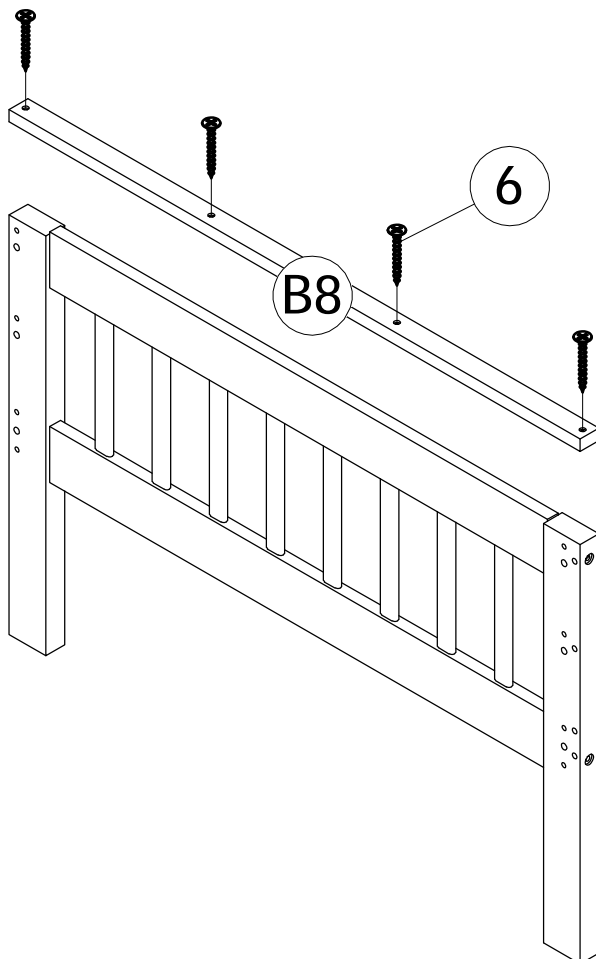
<p>30</p> 	<p>10</p> 
<p>2pcs</p>	<p>2pcs</p>
<p>8</p> 	
<p>2pcs</p>	




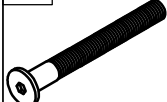
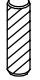
**STEP3:** Following below illustration.

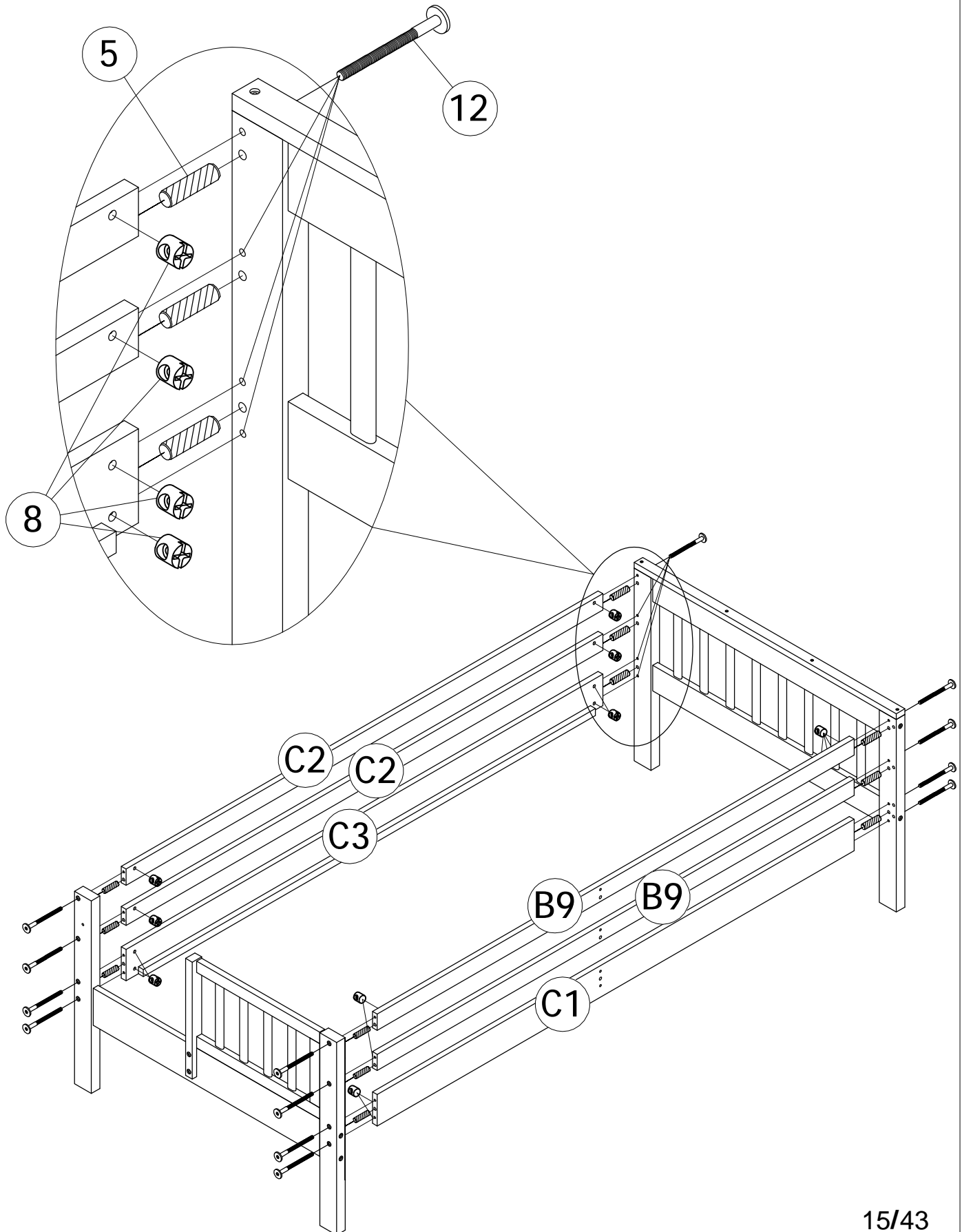


**STEP4:** Following below illustration.

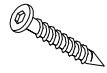



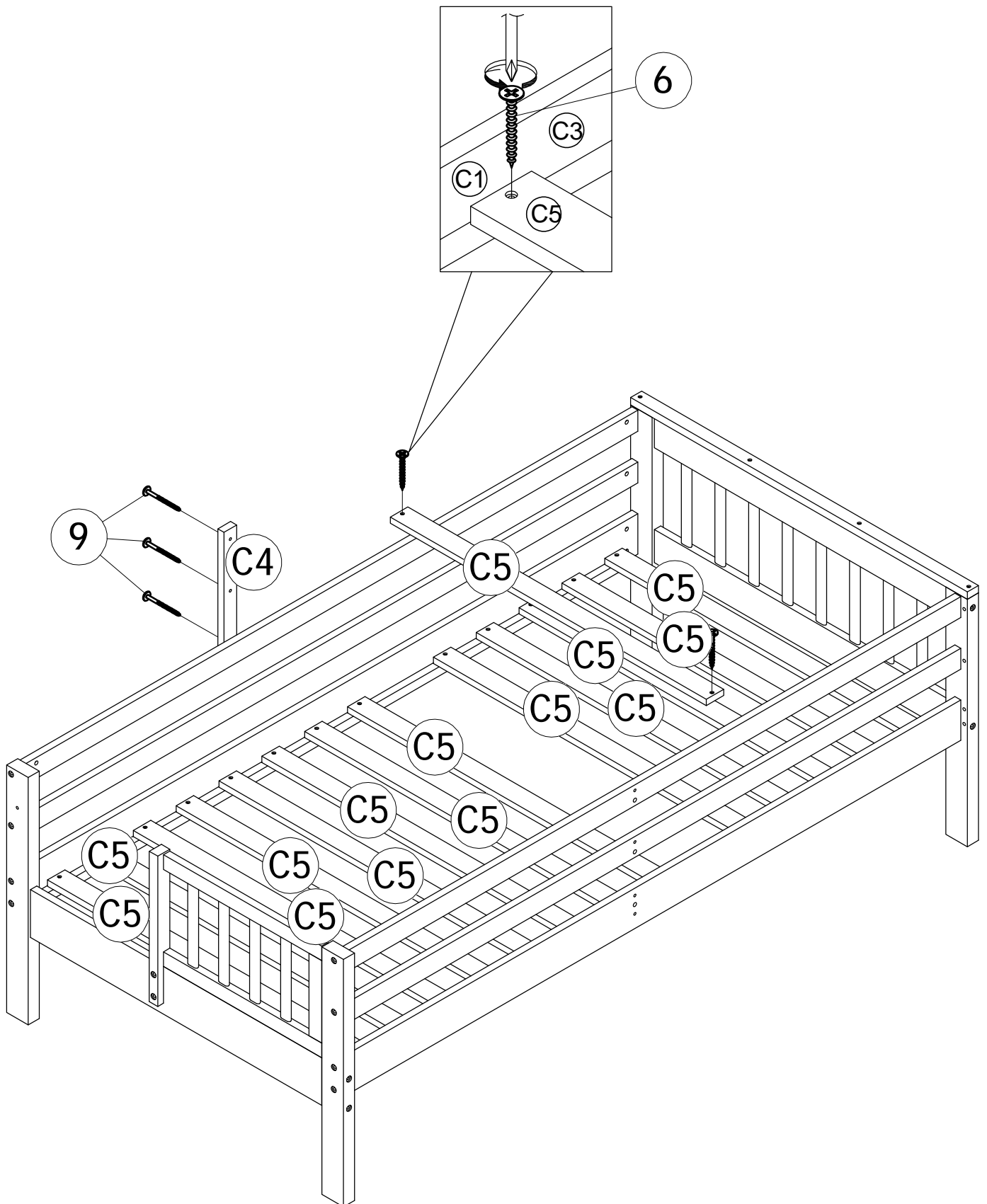
**STEP5:** Following below illustration.

8		12		5	
16pcs		16pcs		12pcs	



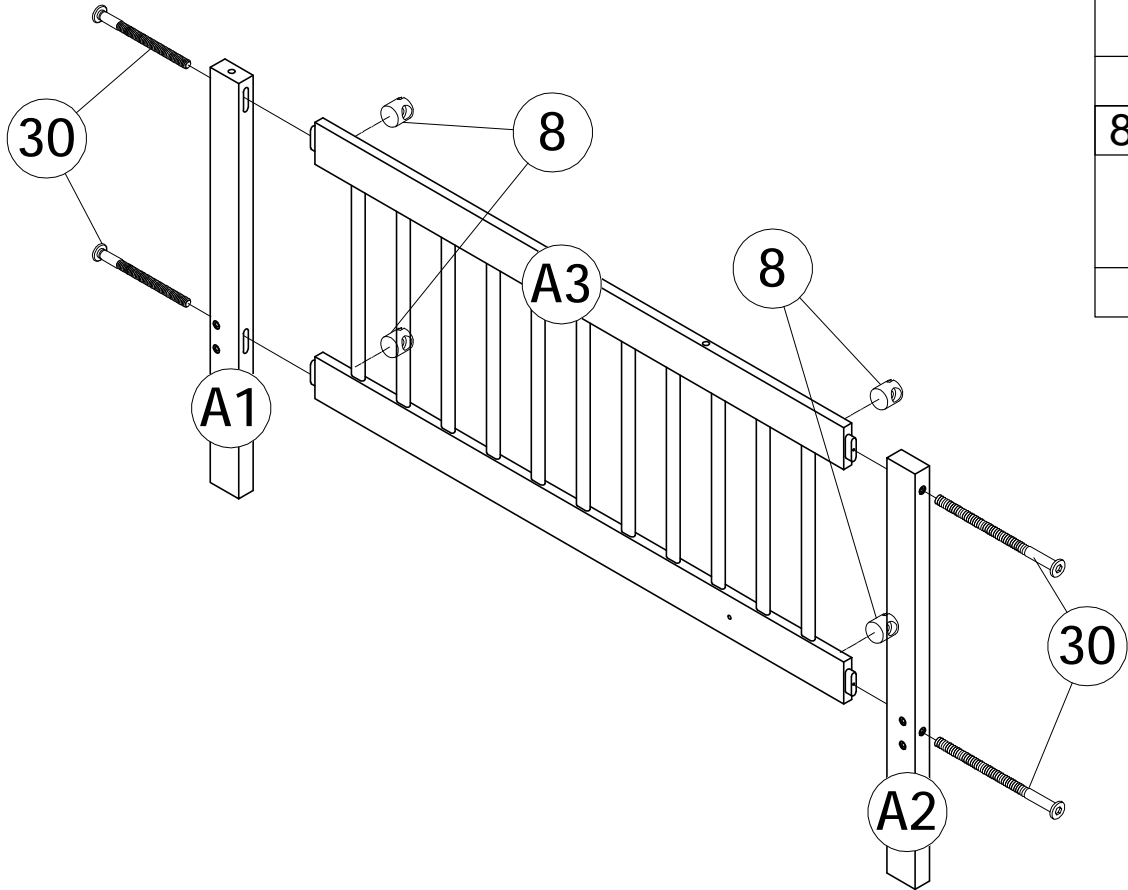
**STEP6:** Following below illustration.

9	6
	
3pcs	28pcs





**STEP7:** Following below illustration.



30



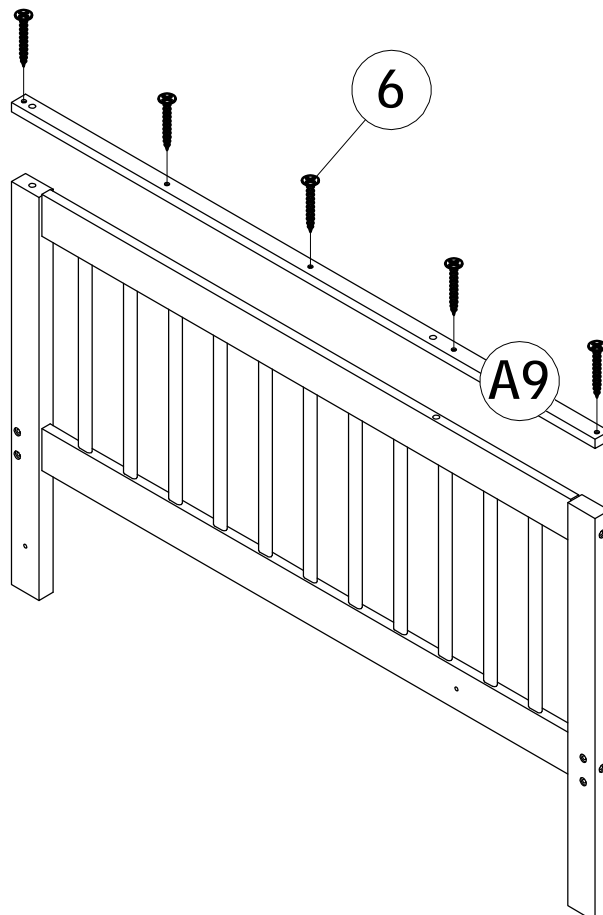
4pcs

8



4pcs

**STEP8:** Following below illustration.





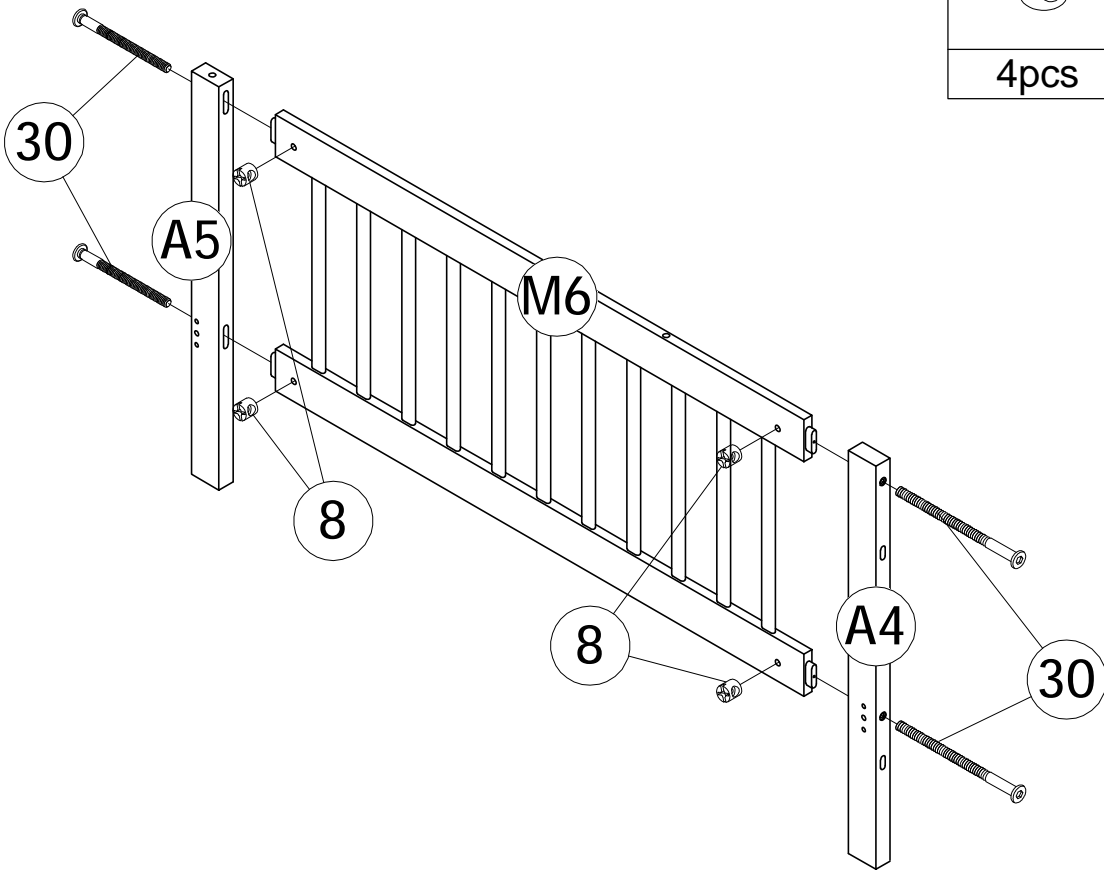
6




5pcs

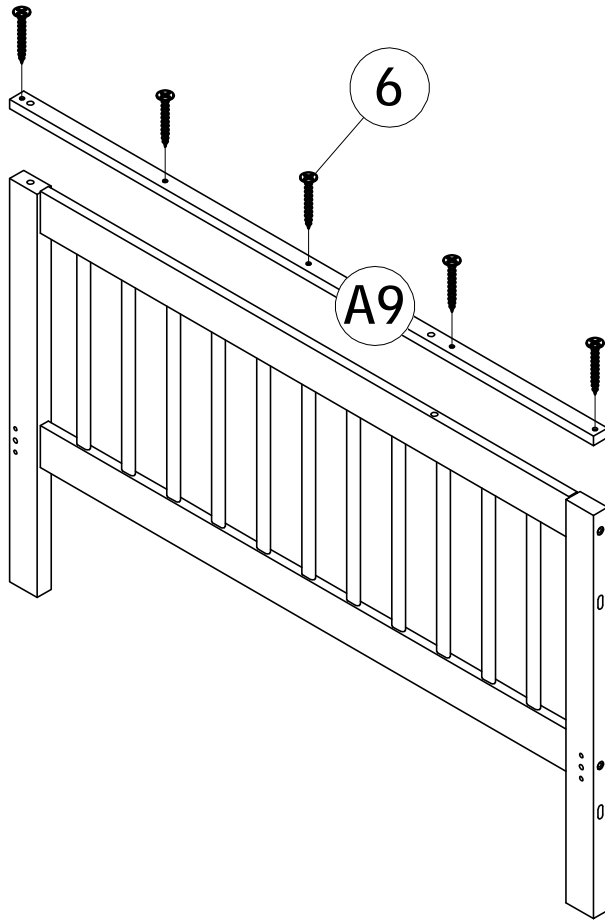
**STEP9:** Following below illustration.

8	30
	
4pcs	4pcs


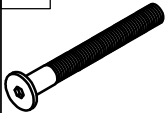



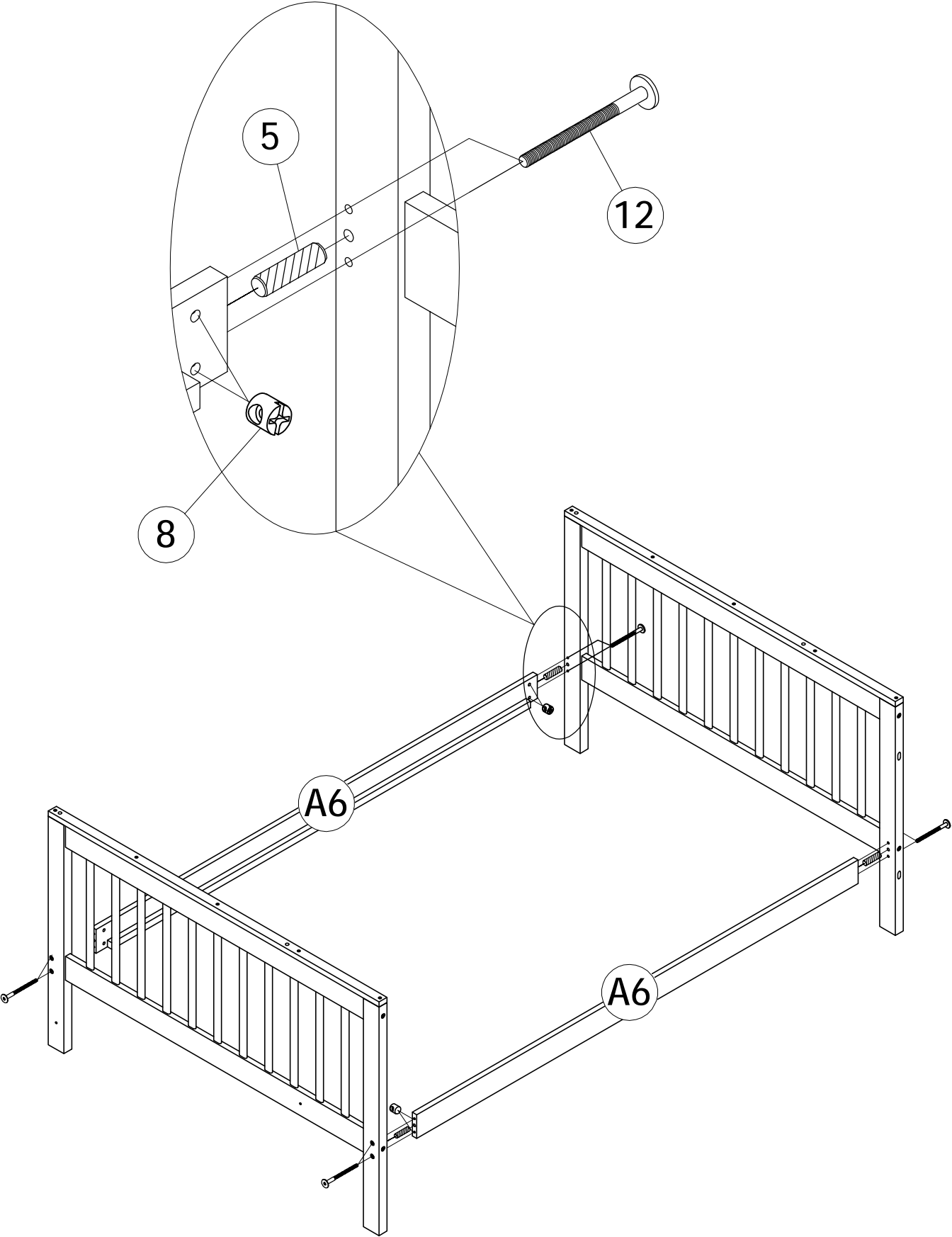
**STEP10:** Following below illustration.

6	
5pcs	

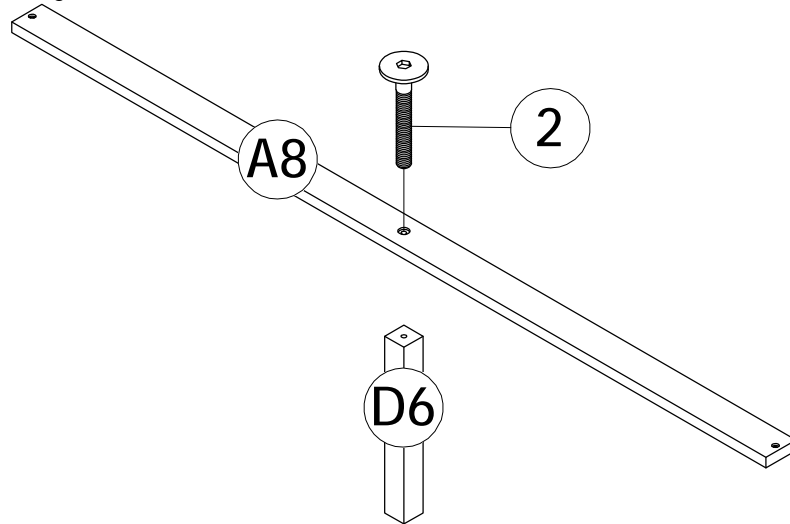



**STEP11:** Following below illustration.

8		12		5	
8pcs		8pcs		4pcs	

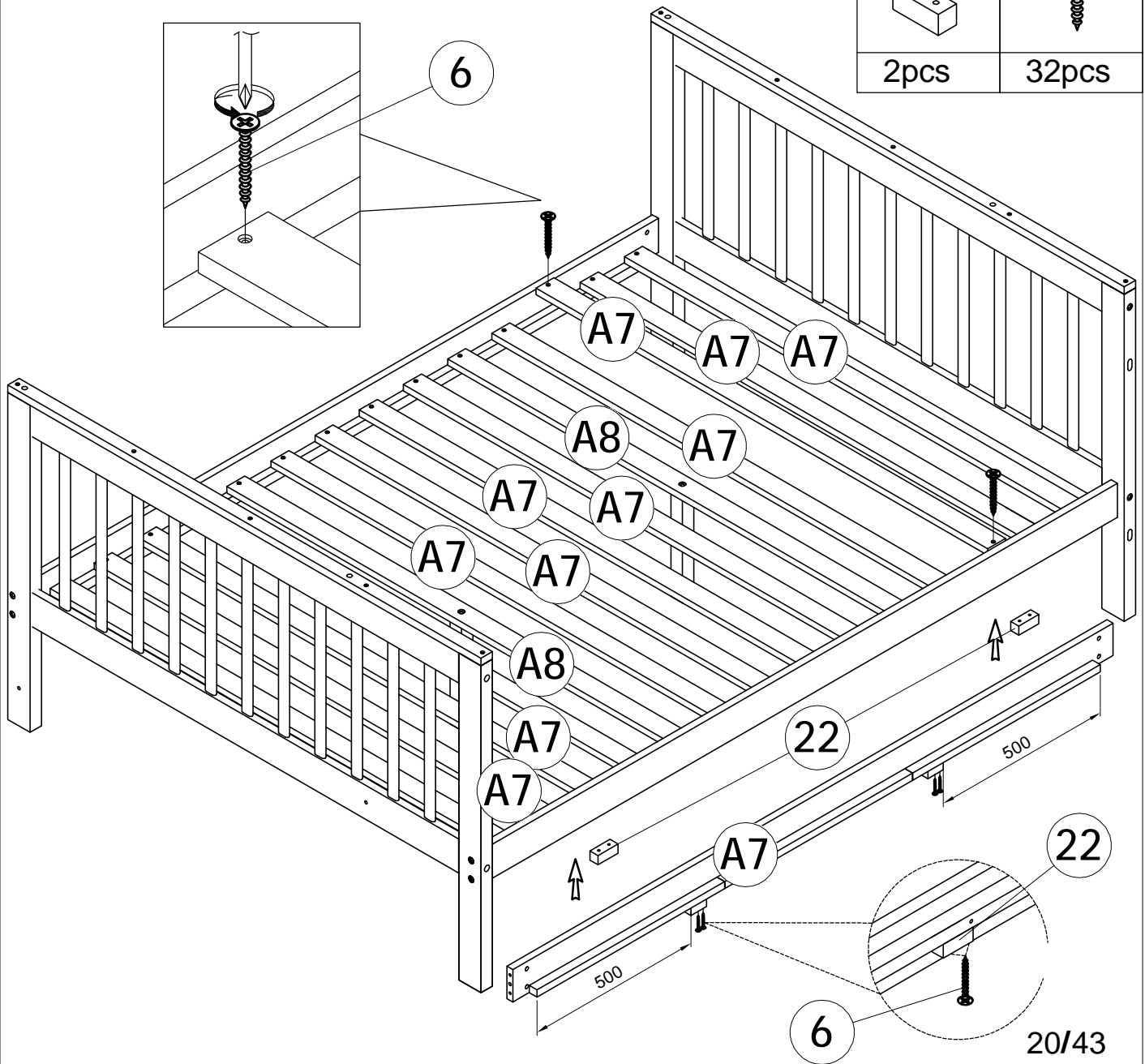
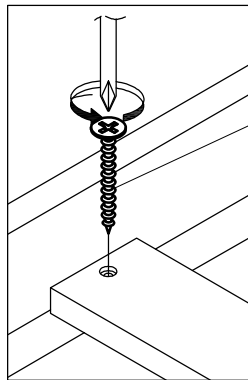


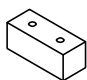

**STEP12:x2** Following below illustration.



2	
2pcs	

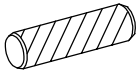
**STEP13:** Following below illustration.



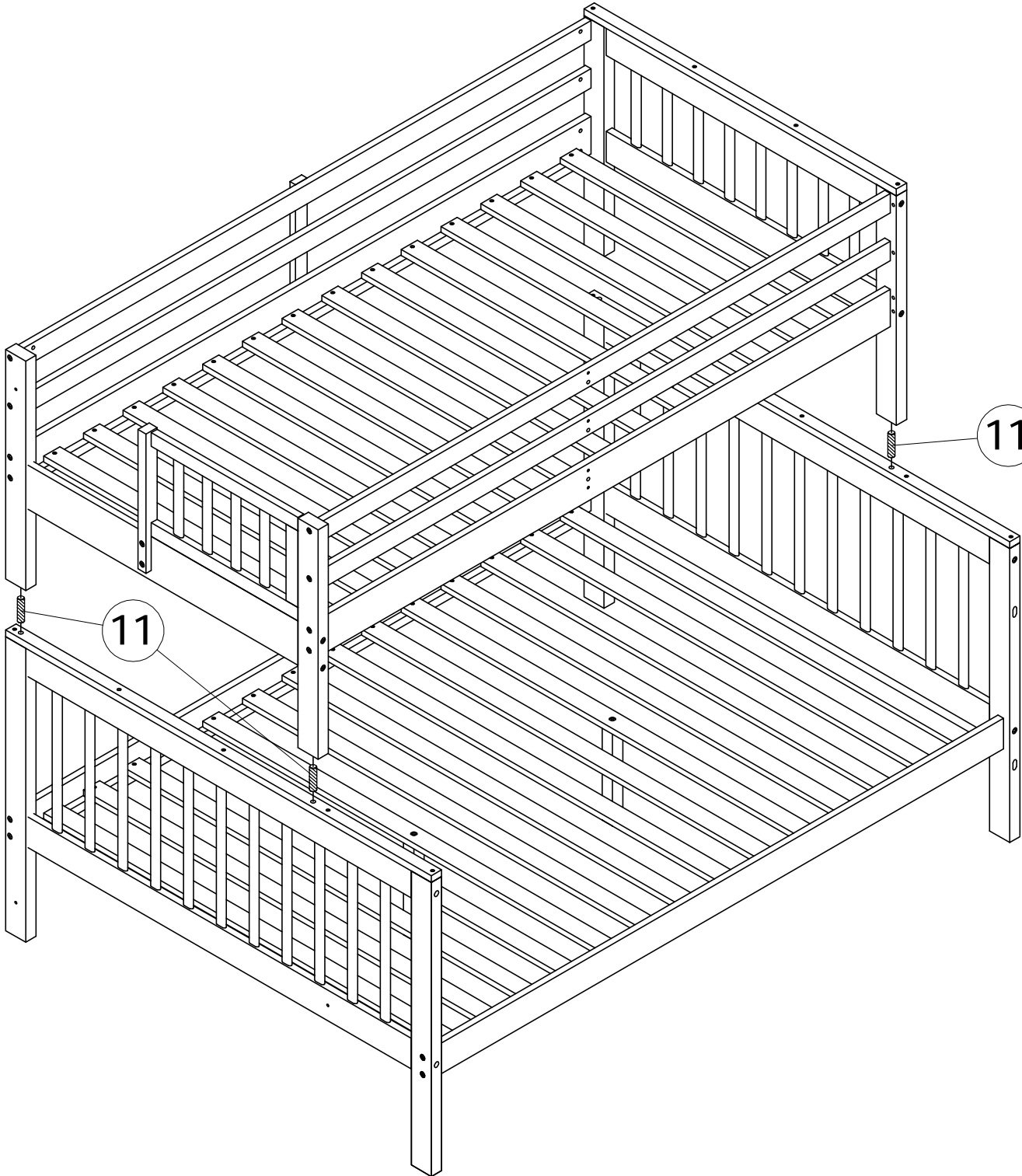
22	6
	
2pcs	32pcs

**STEP14:** Following below illustration.

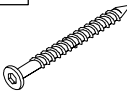

11

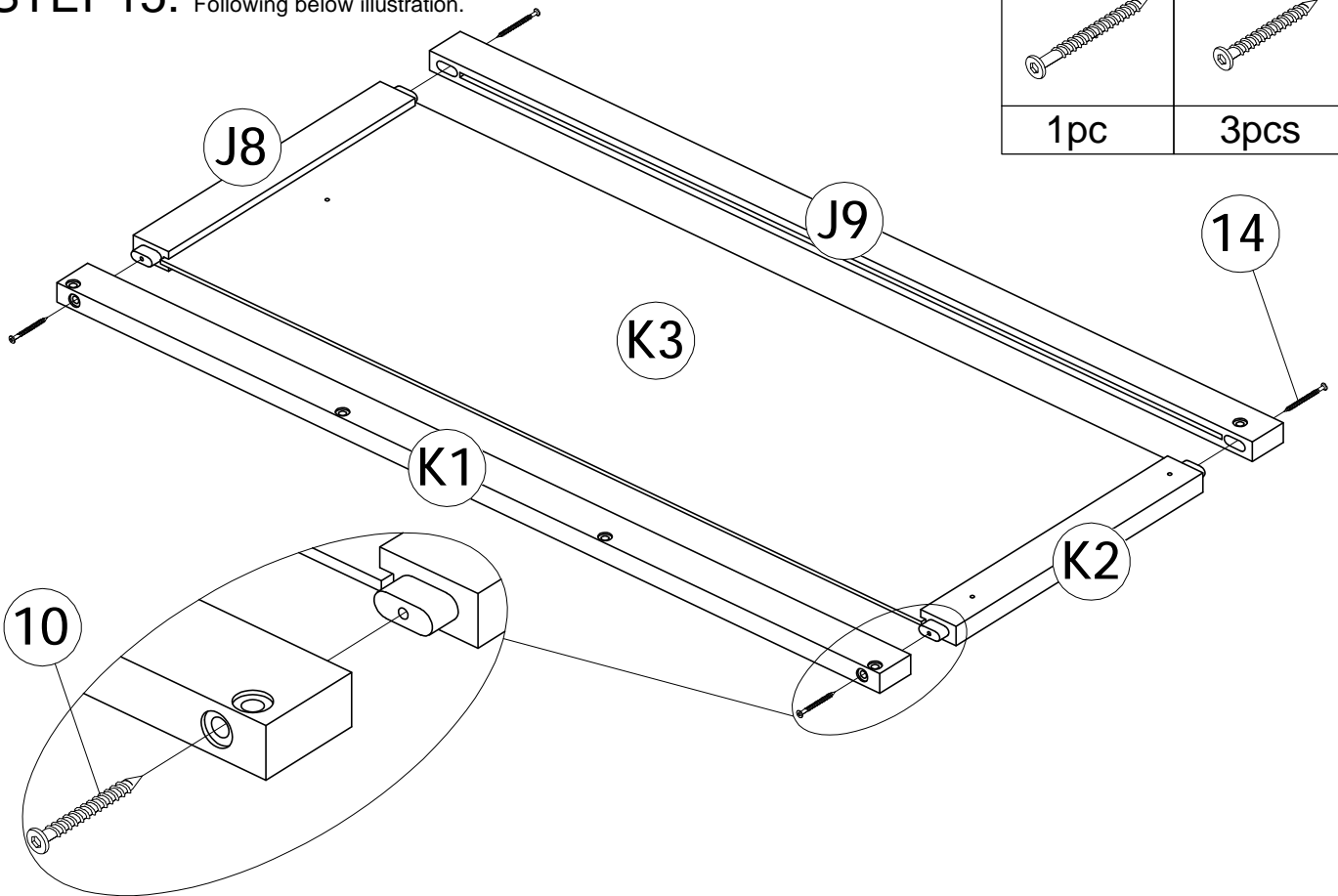


4pcs

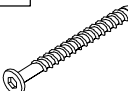


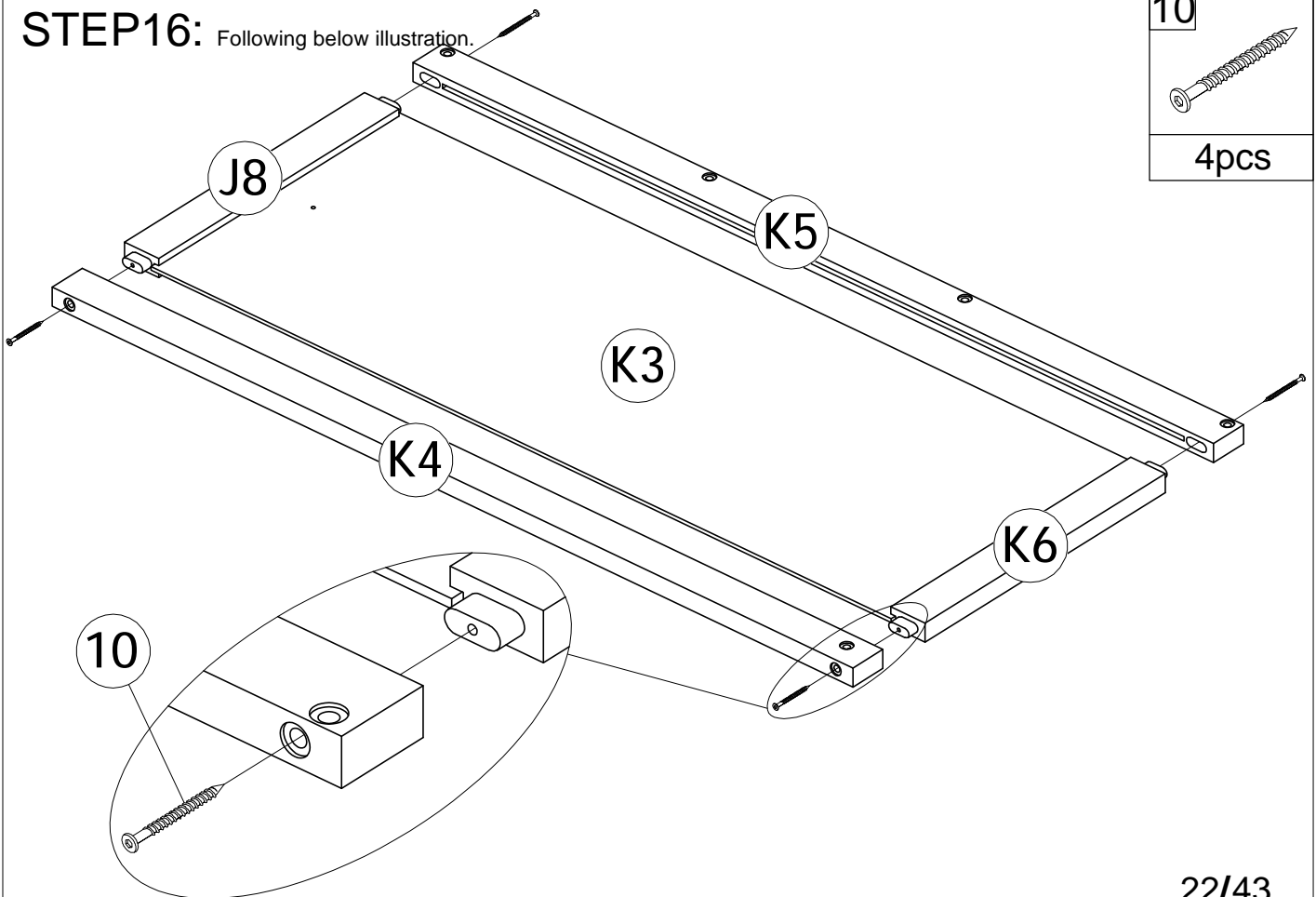
**STEP15:** Following below illustration.

14	10
	
1pc	3pcs

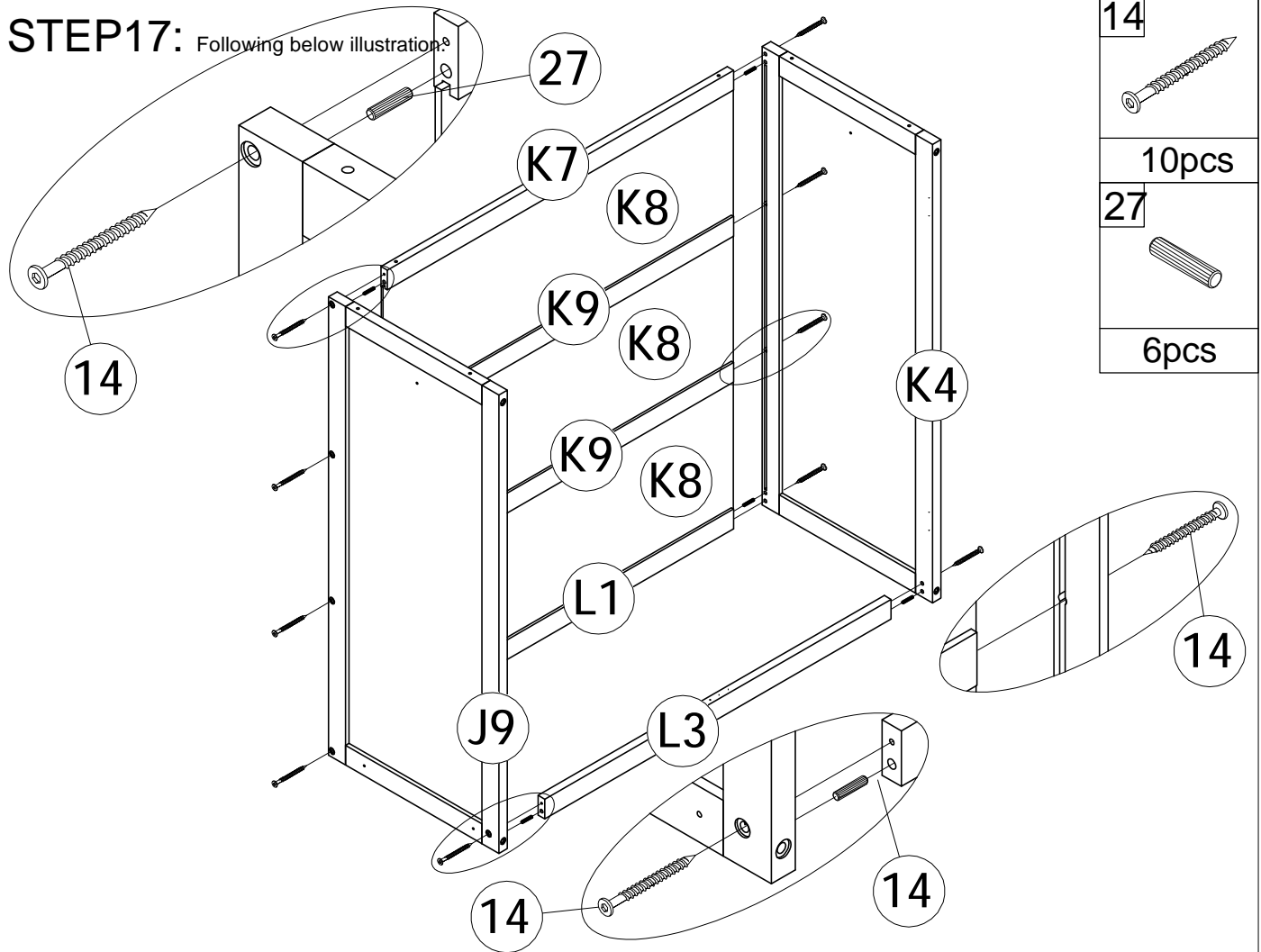


**STEP16:** Following below illustration.

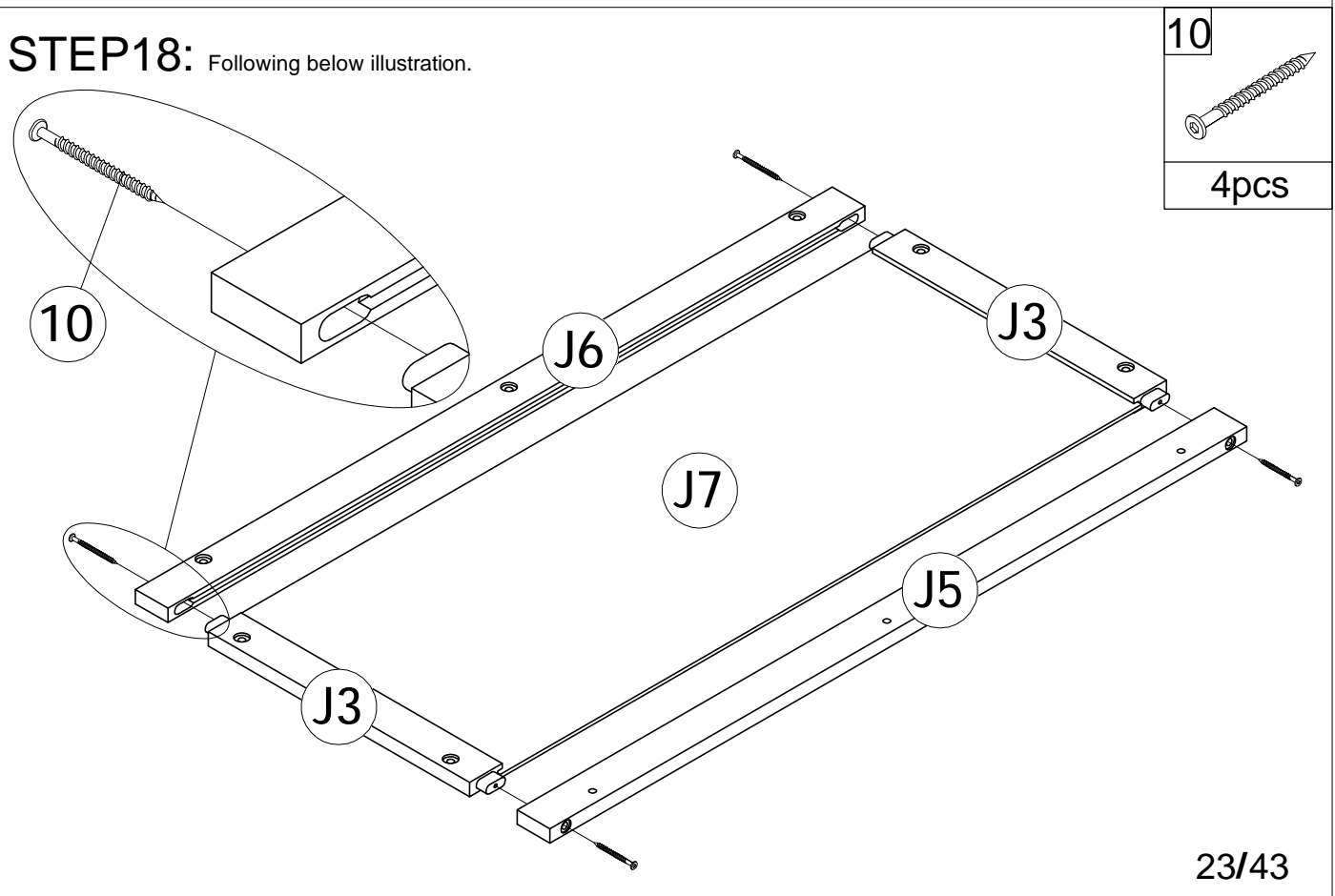
10

4pcs



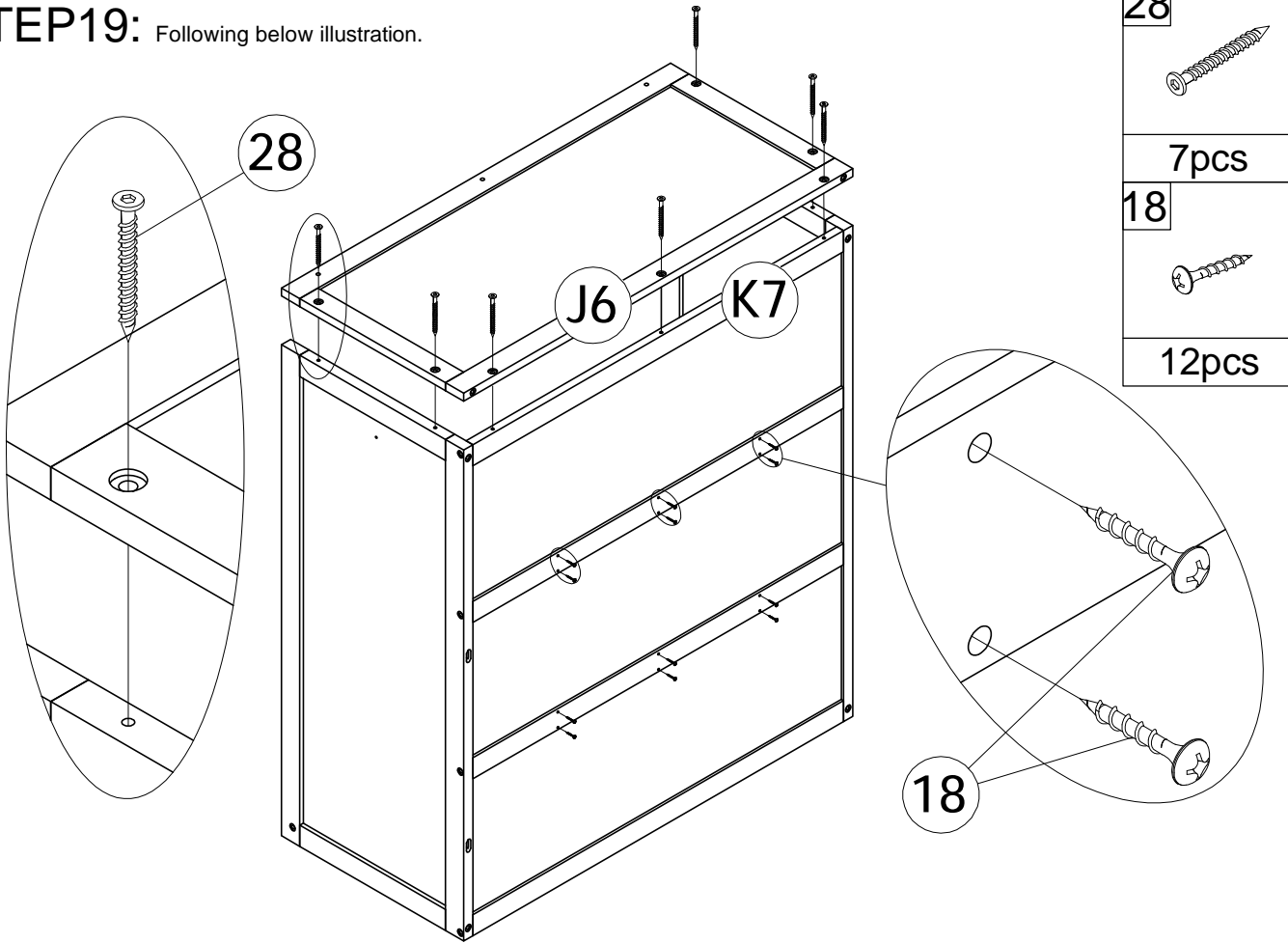
**STEP17:** Following below illustration.



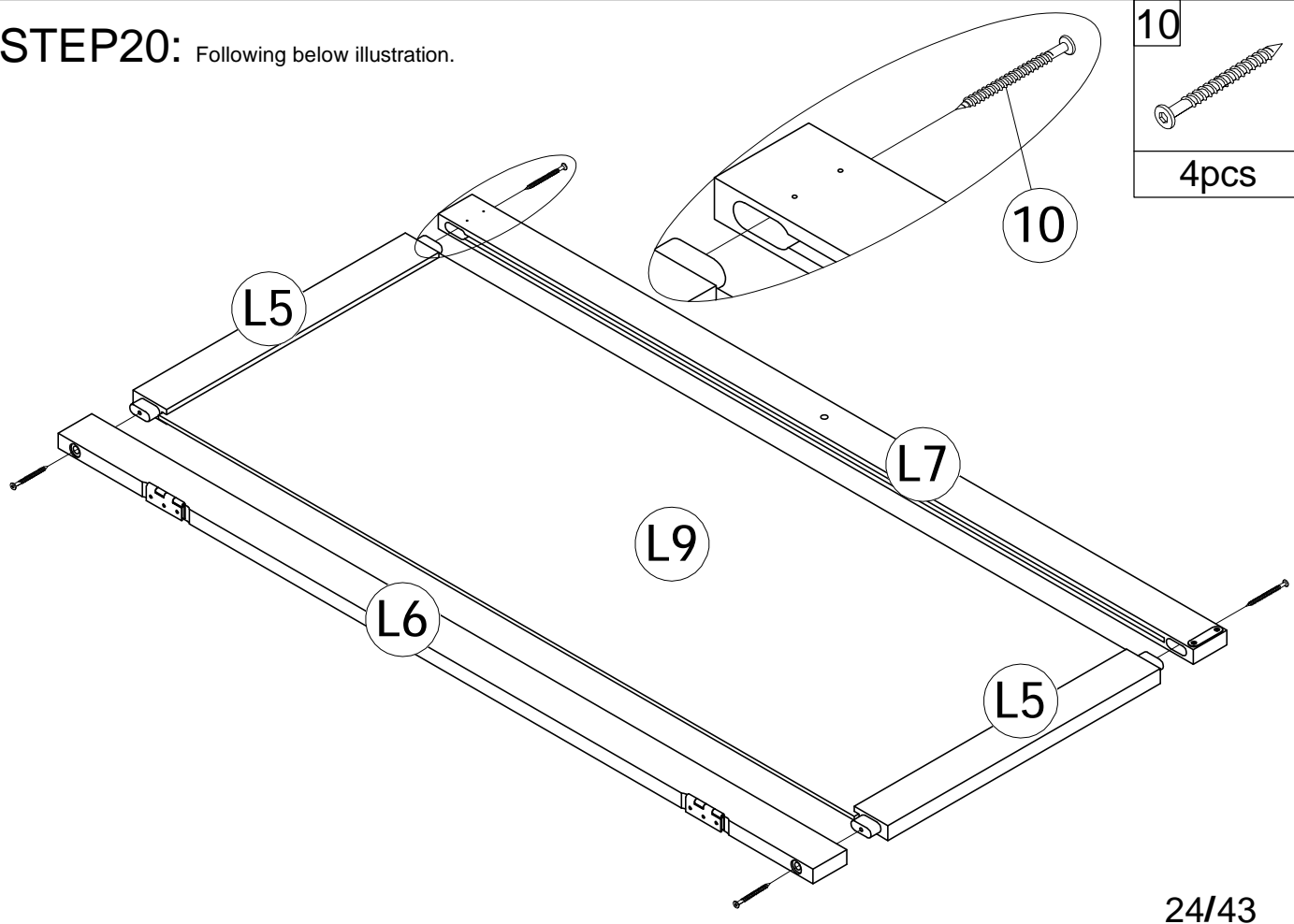
**STEP18:** Following below illustration.



**STEP19:** Following below illustration.

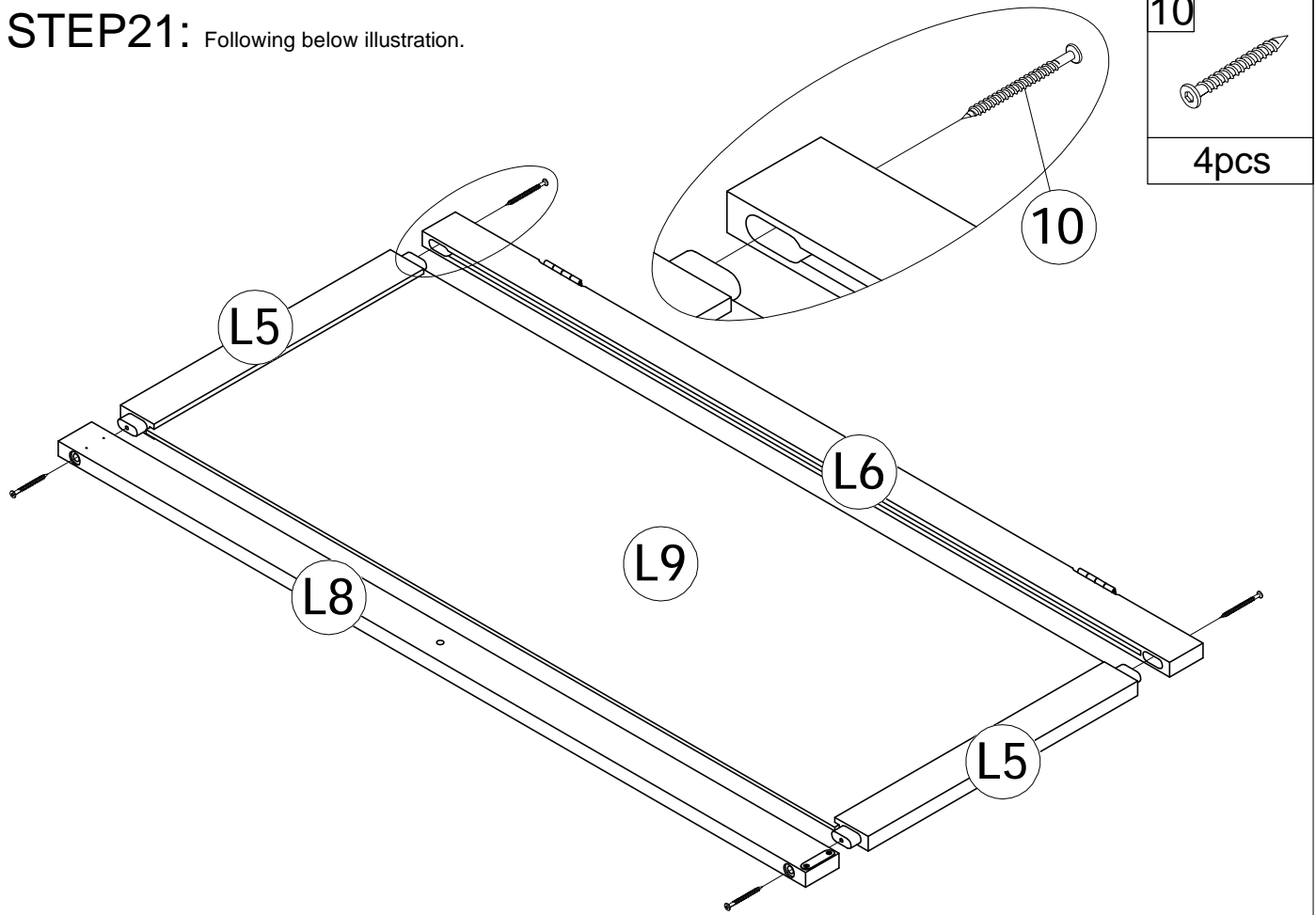


**STEP20:** Following below illustration.

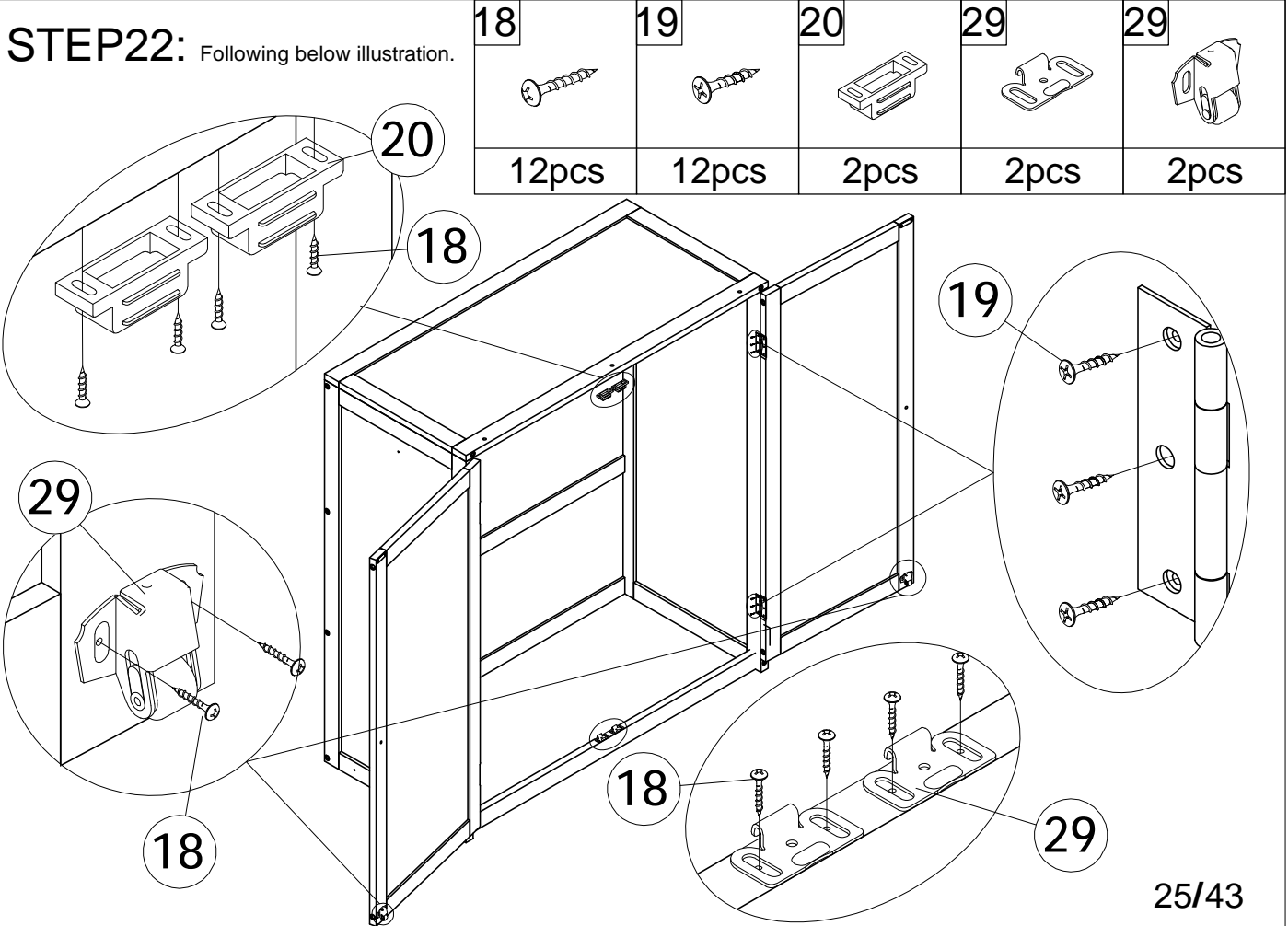




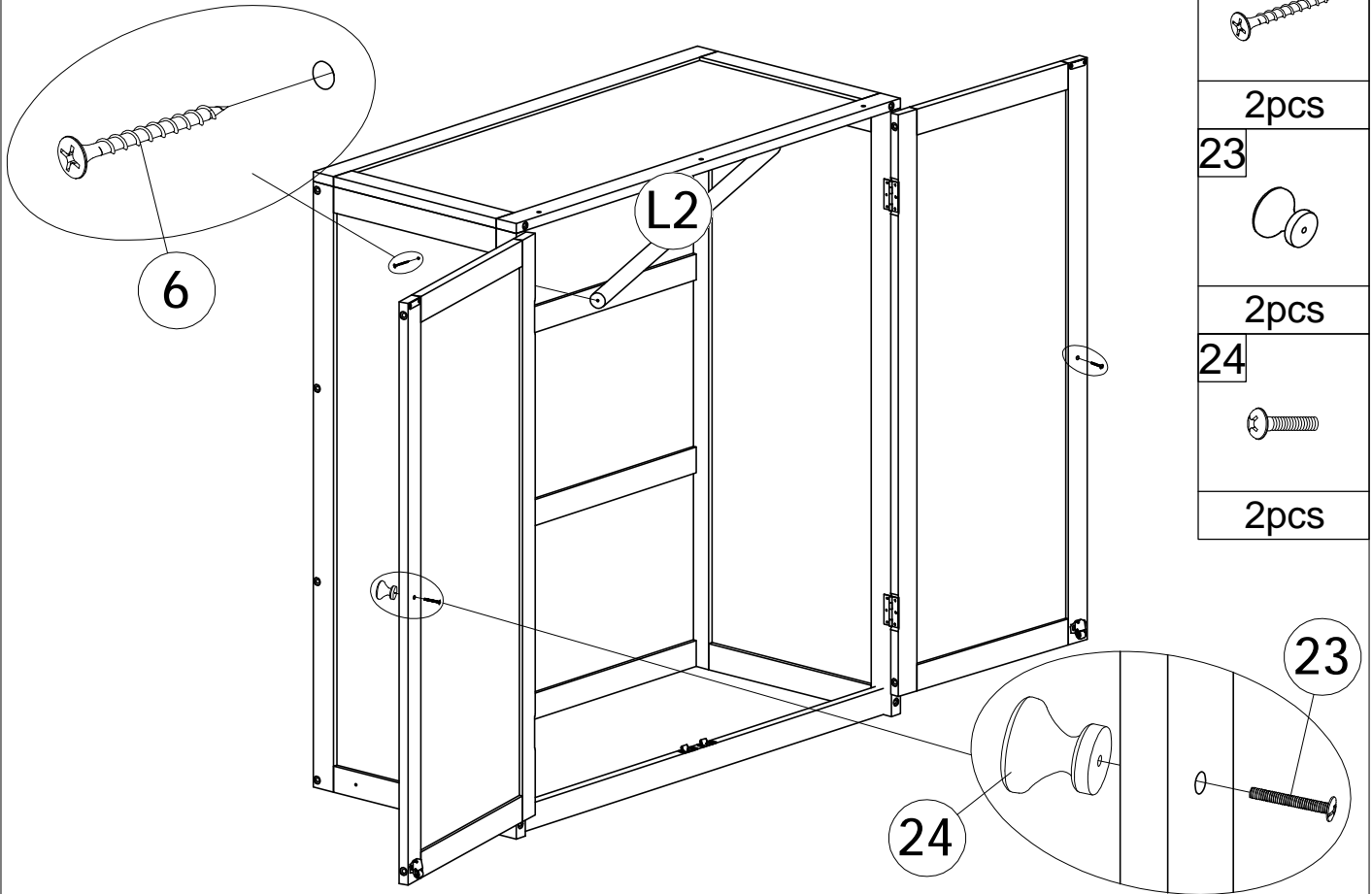
**STEP21:** Following below illustration.

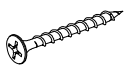




**STEP22:** Following below illustration.

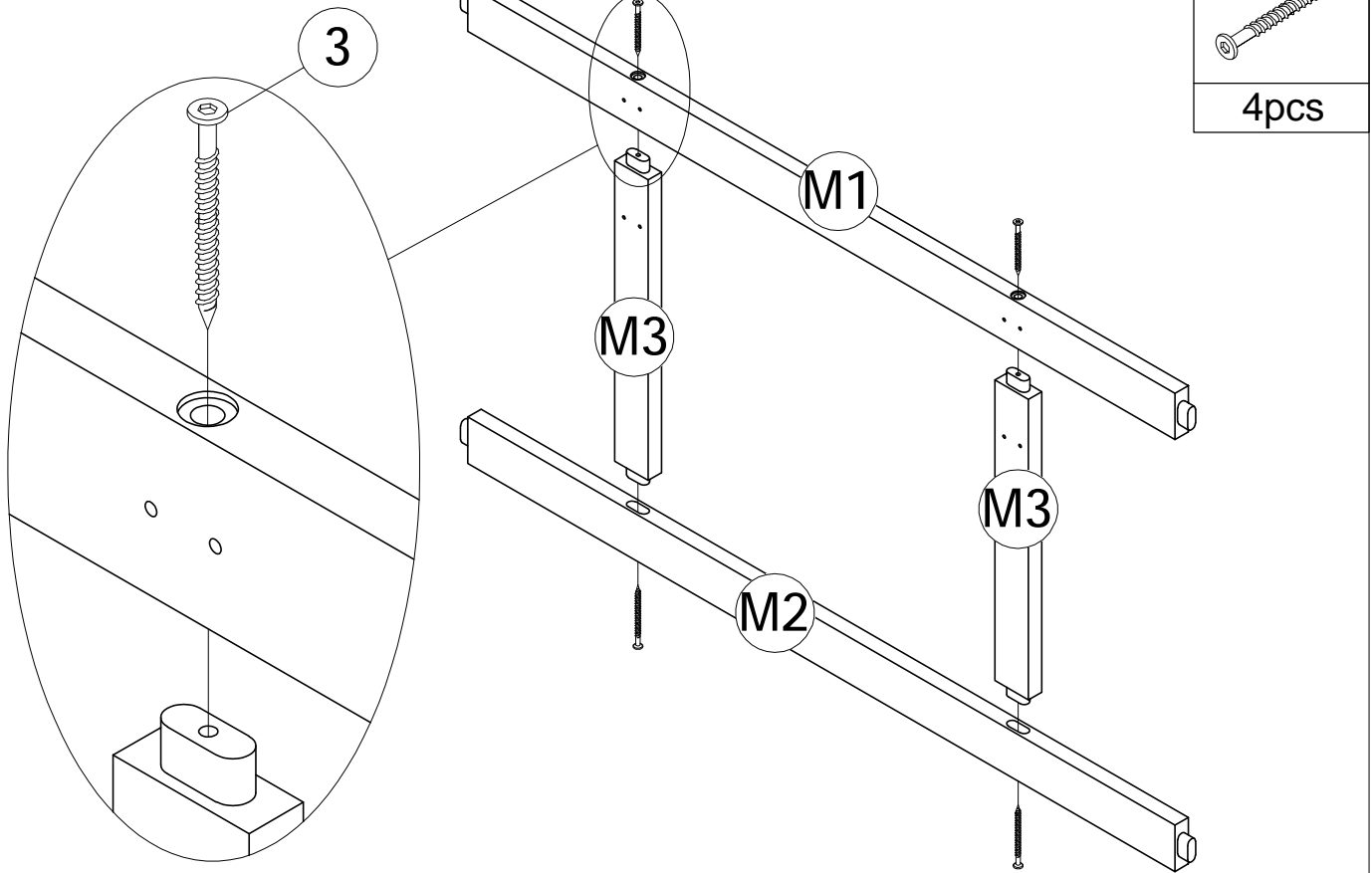


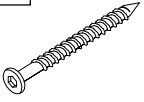
**STEP23:** Following below illustration.



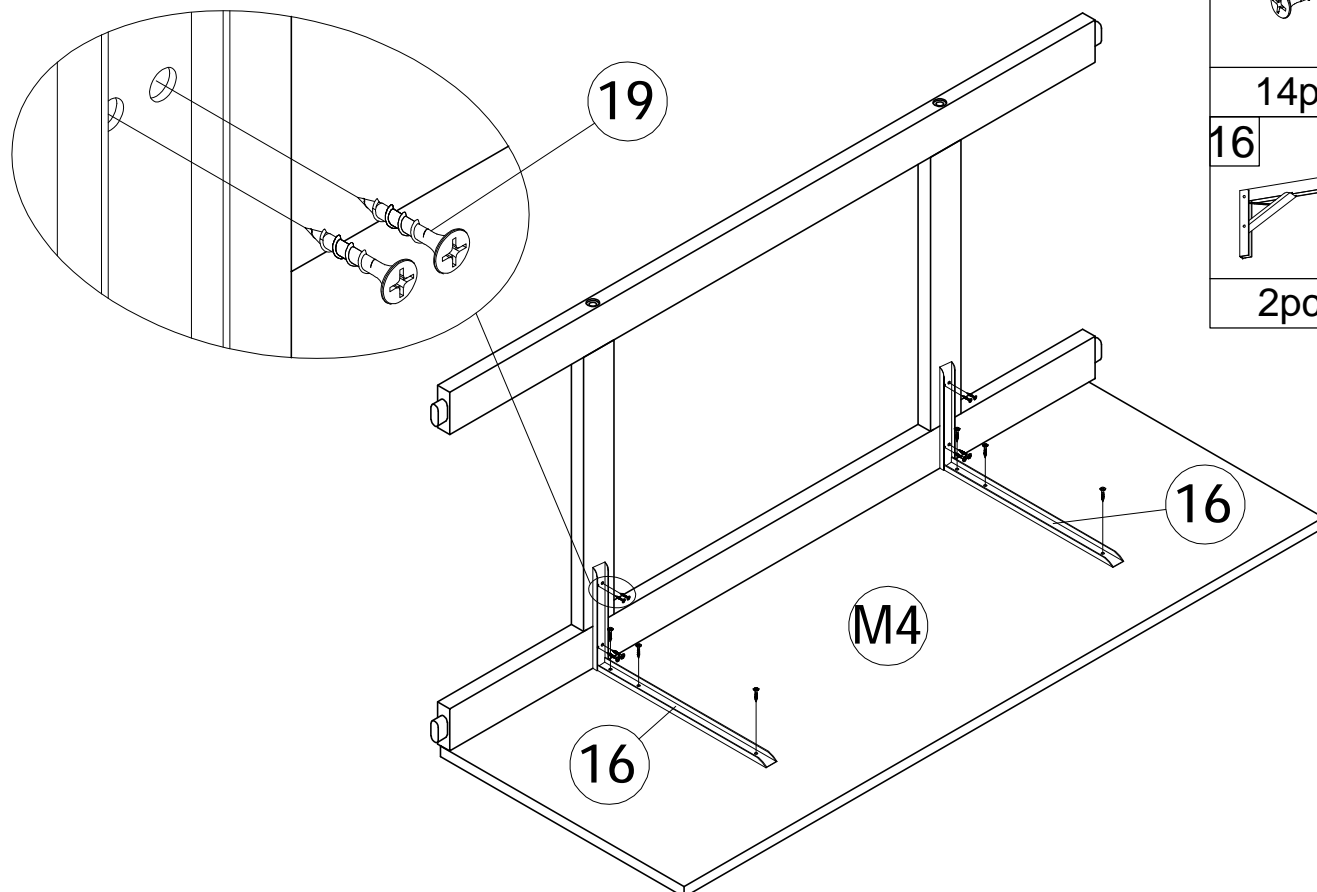
6

2pcs
23

2pcs
24

2pcs

**STEP24:** Following below illustration.



3

4pcs

**STEP25:** Following below illustration.

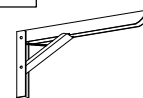


19



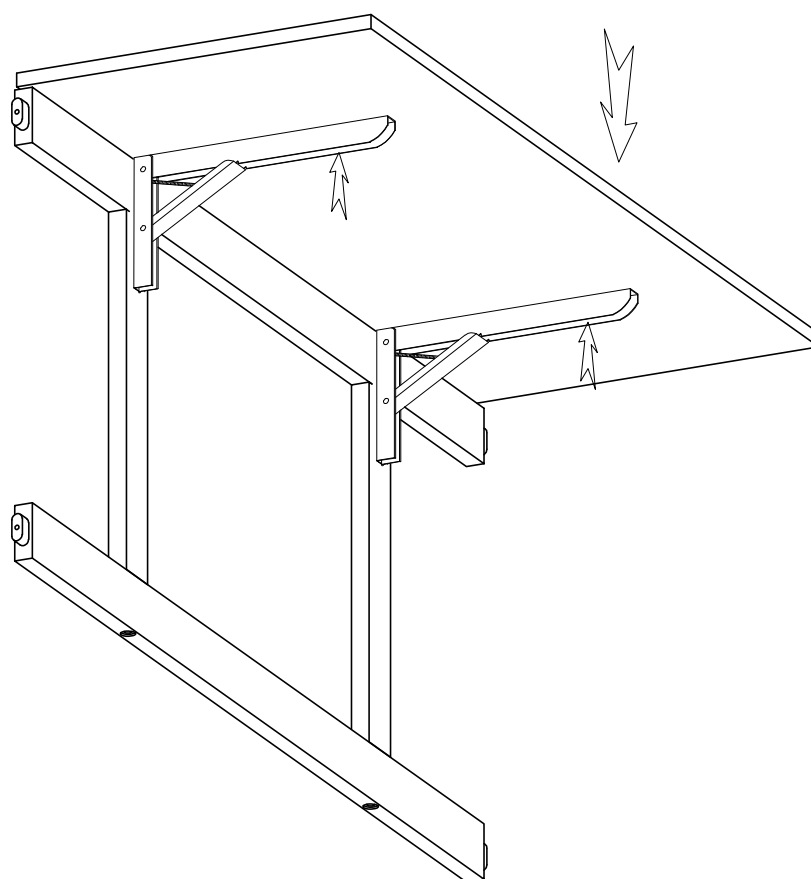
14pcs

16



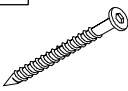
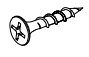
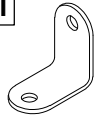
2pcs

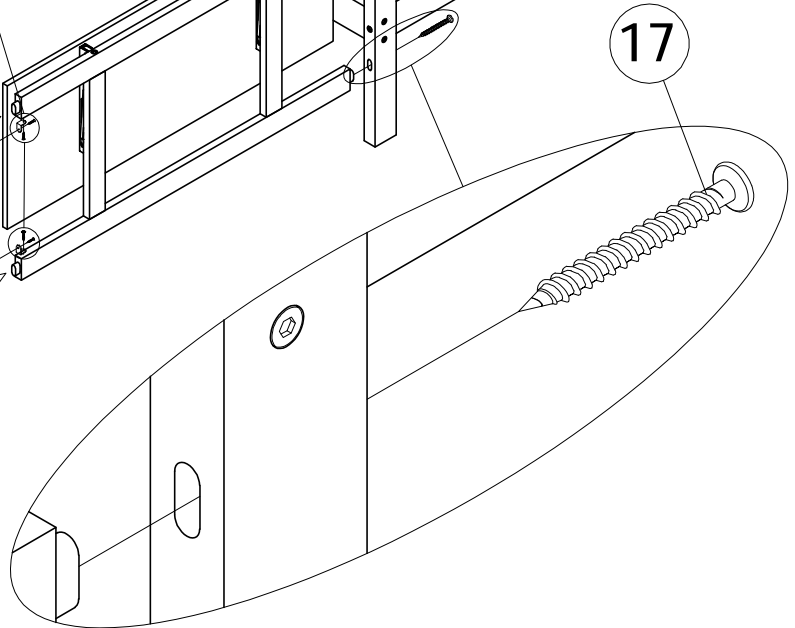
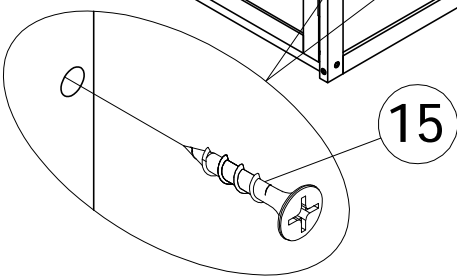
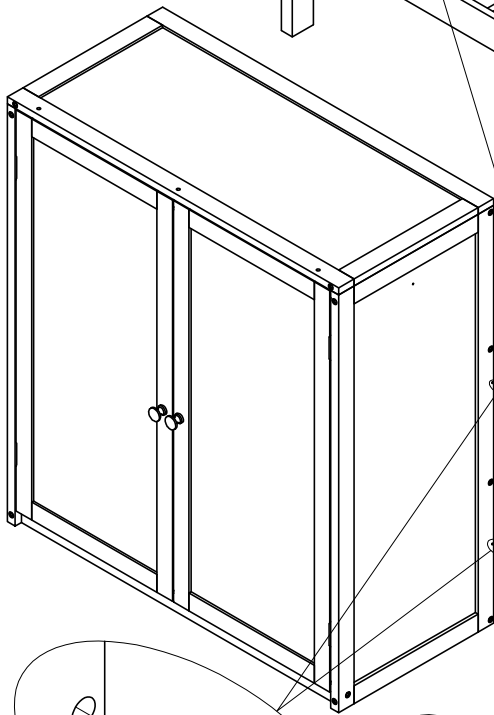
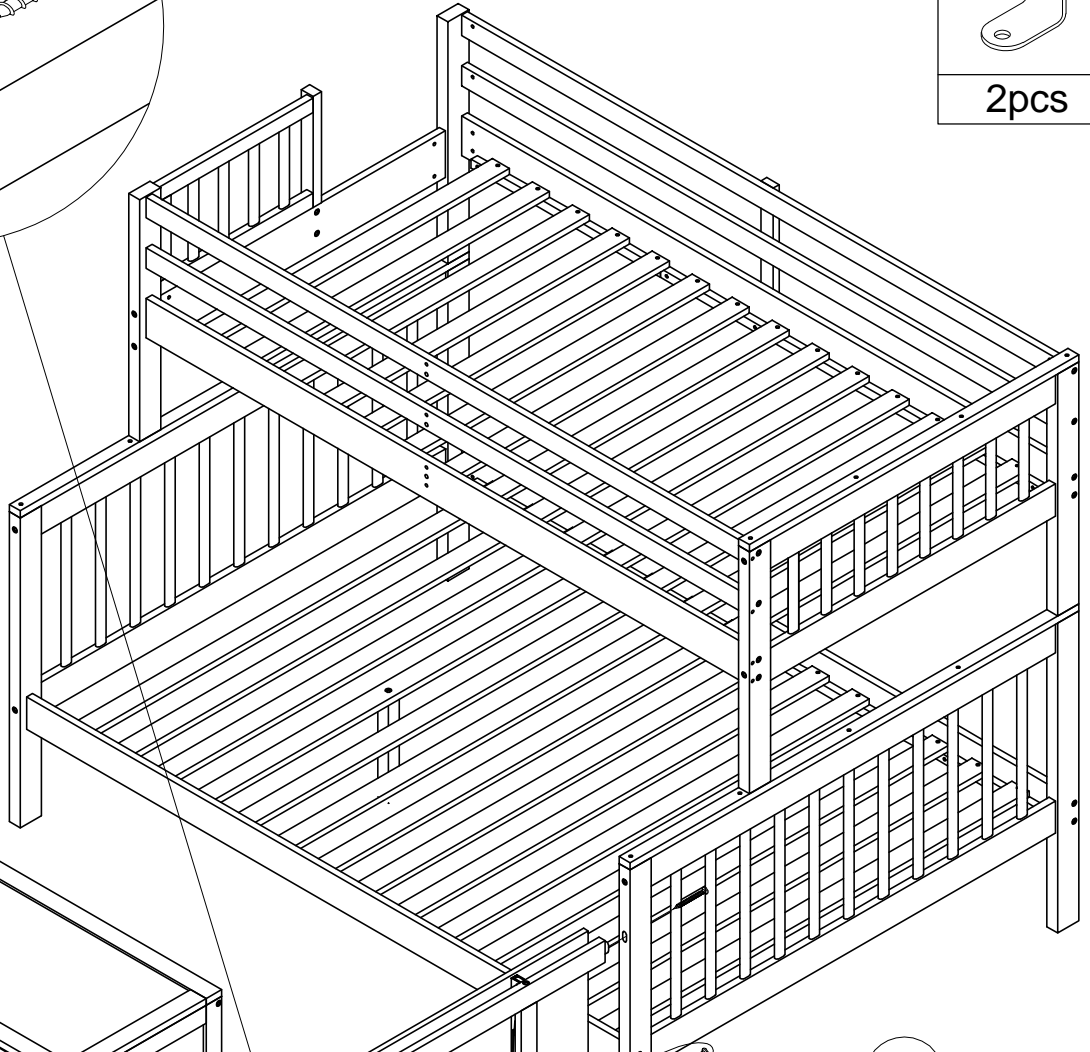
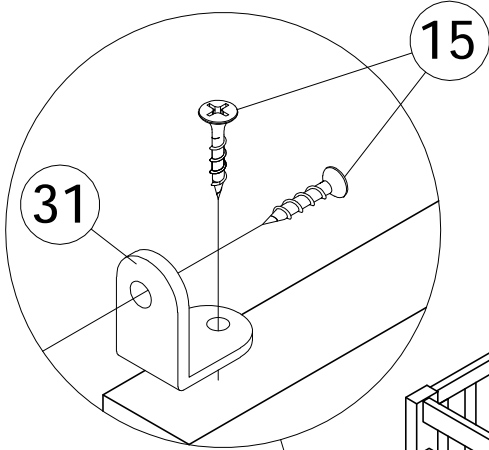
**STEP26:** Following below illustration.



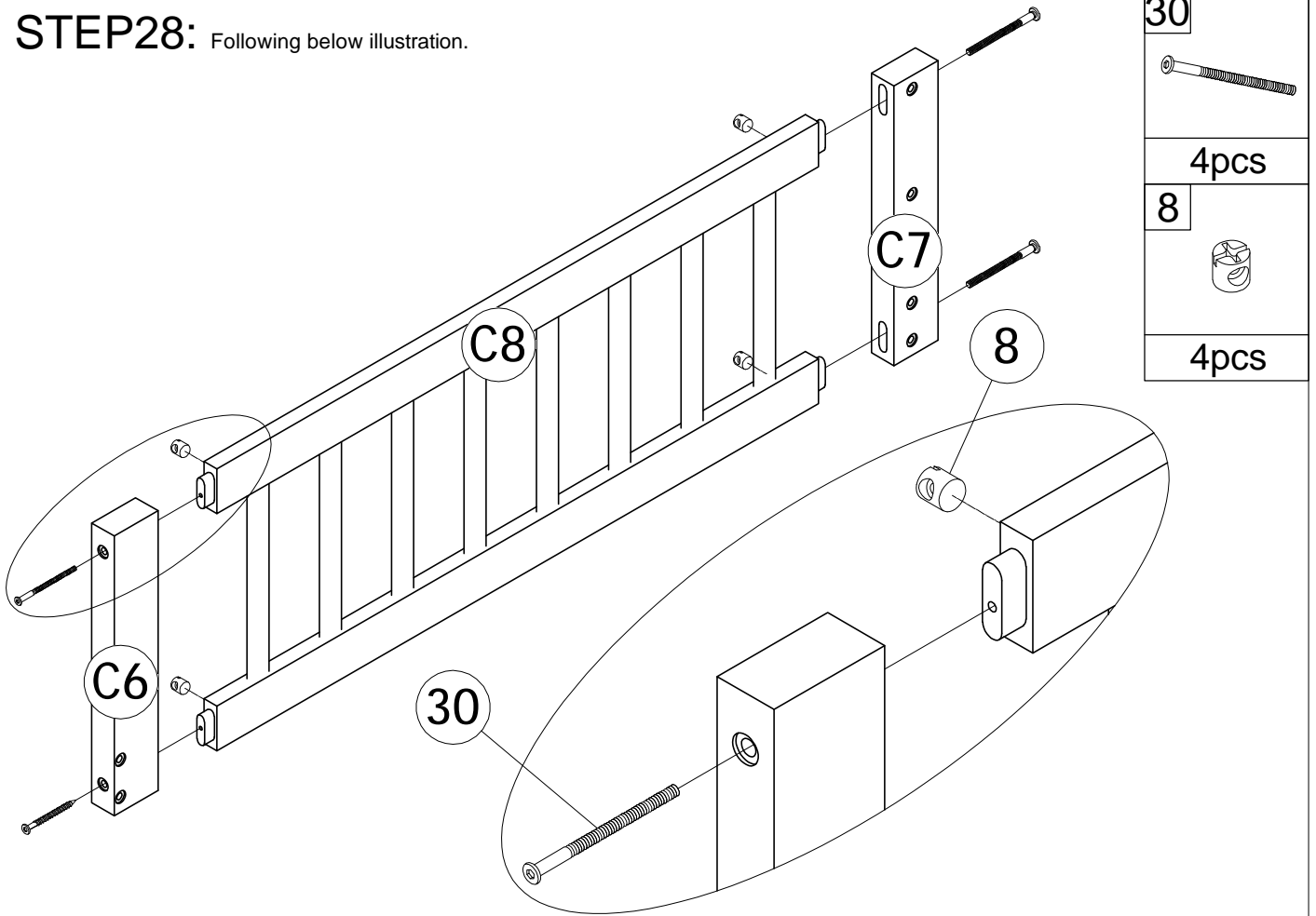
27/43

**STEP27:** Following below illustration.

17		15	
2pcs		6pcs	
		31	
		2pcs	

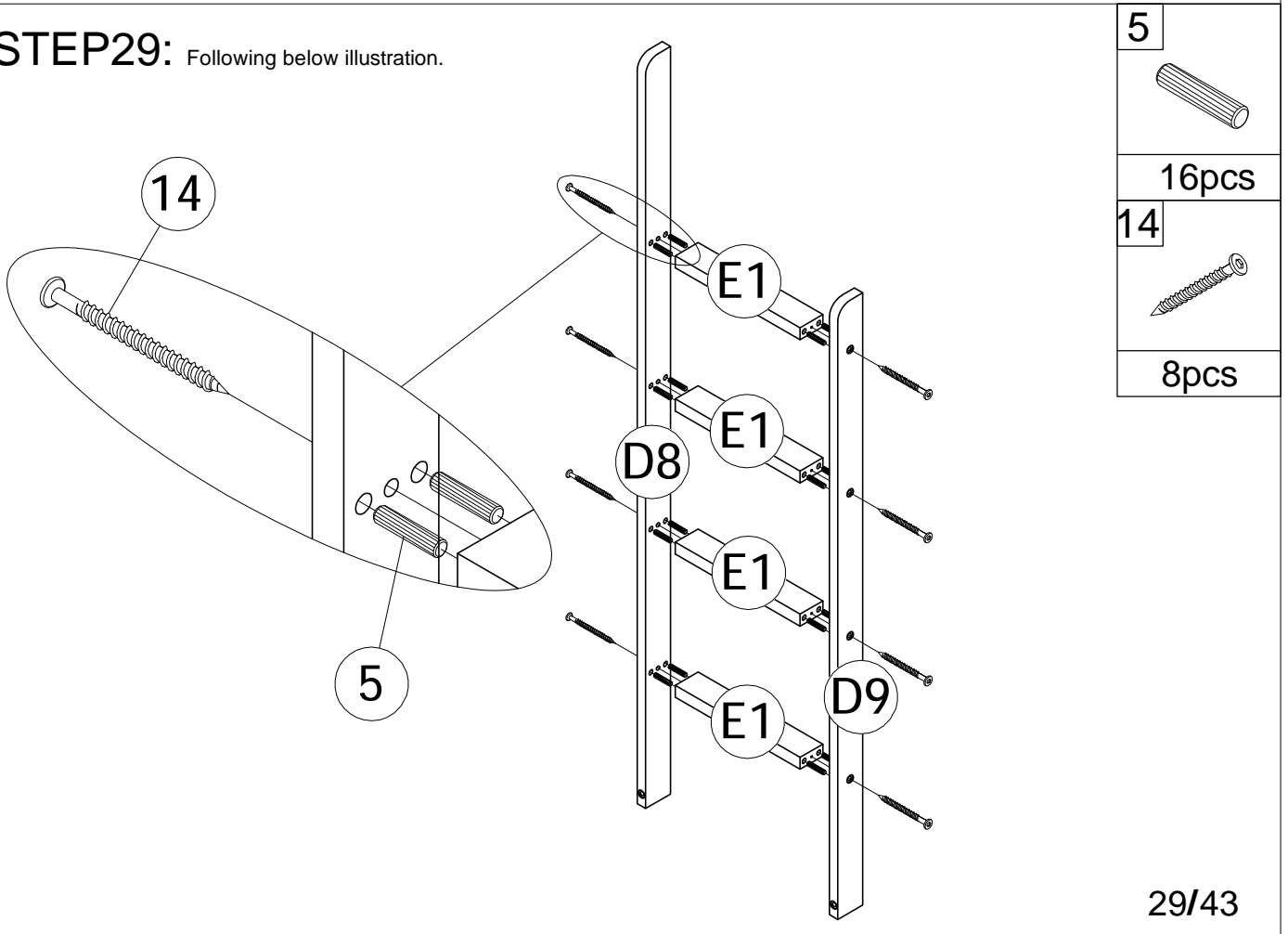


**STEP28:** Following below illustration.



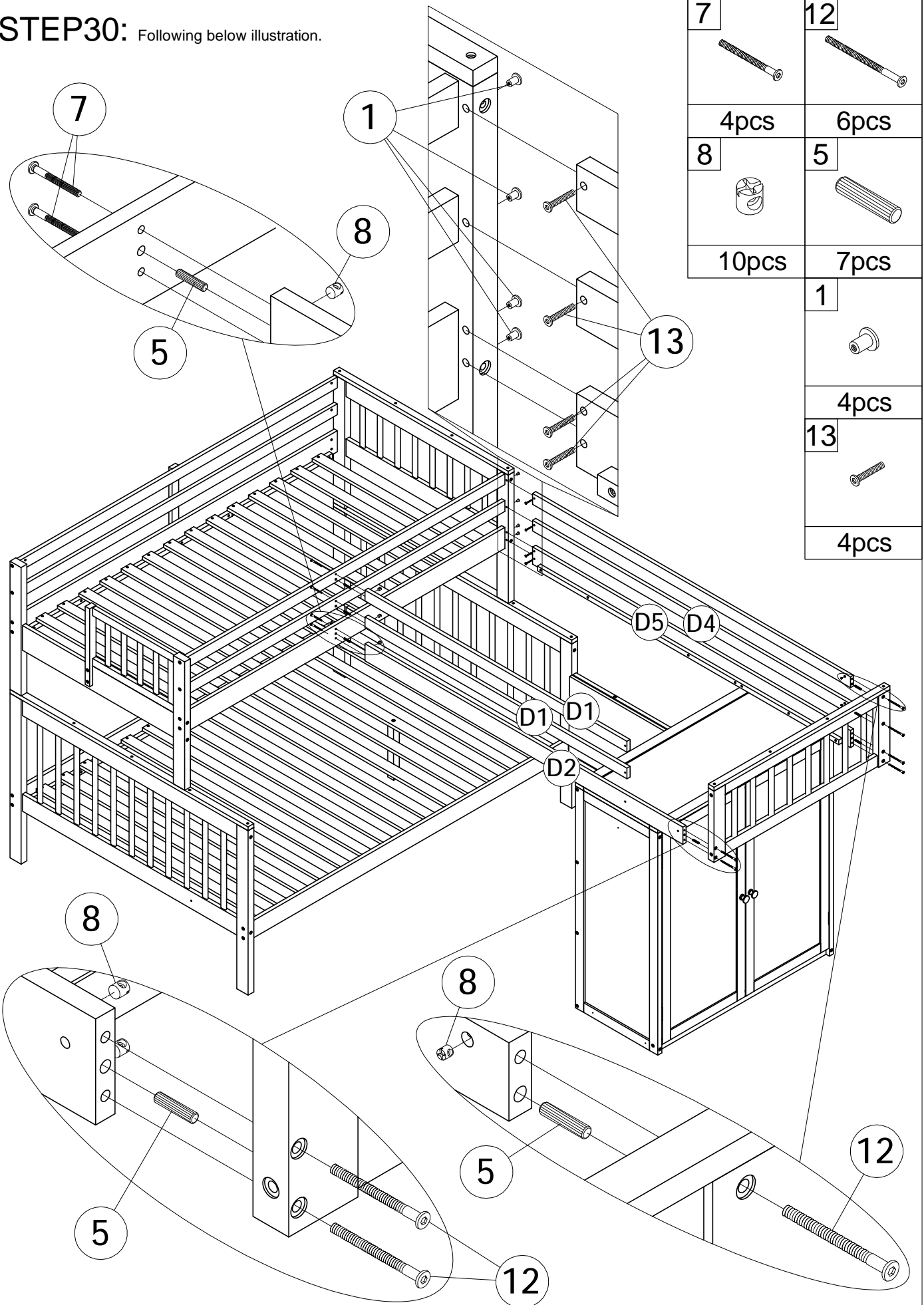
30	
4pcs	
8	
4pcs	

**STEP29:** Following below illustration.



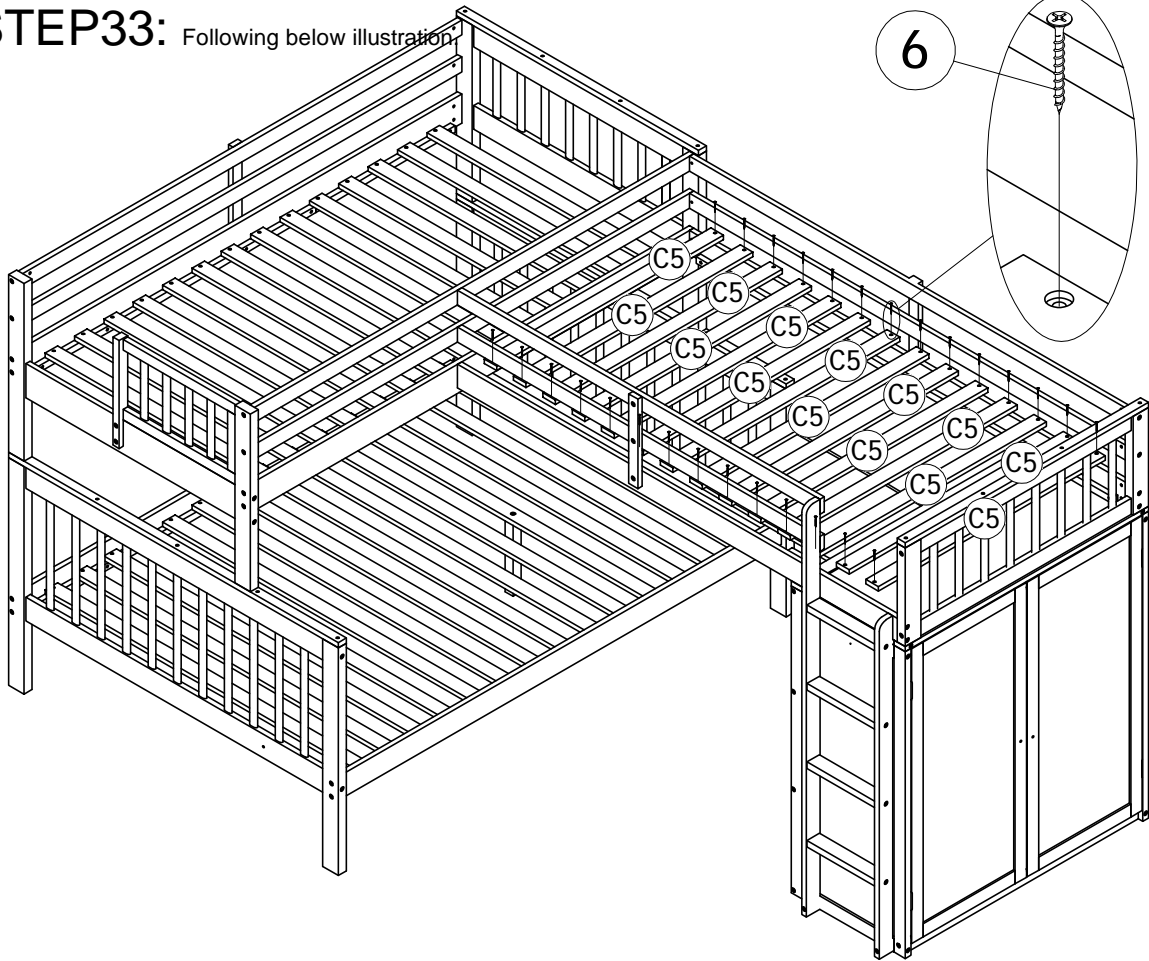
5	
16pcs	
14	
8pcs	

**STEP30:** Following below illustration.





**STEP33:** Following below illustration.

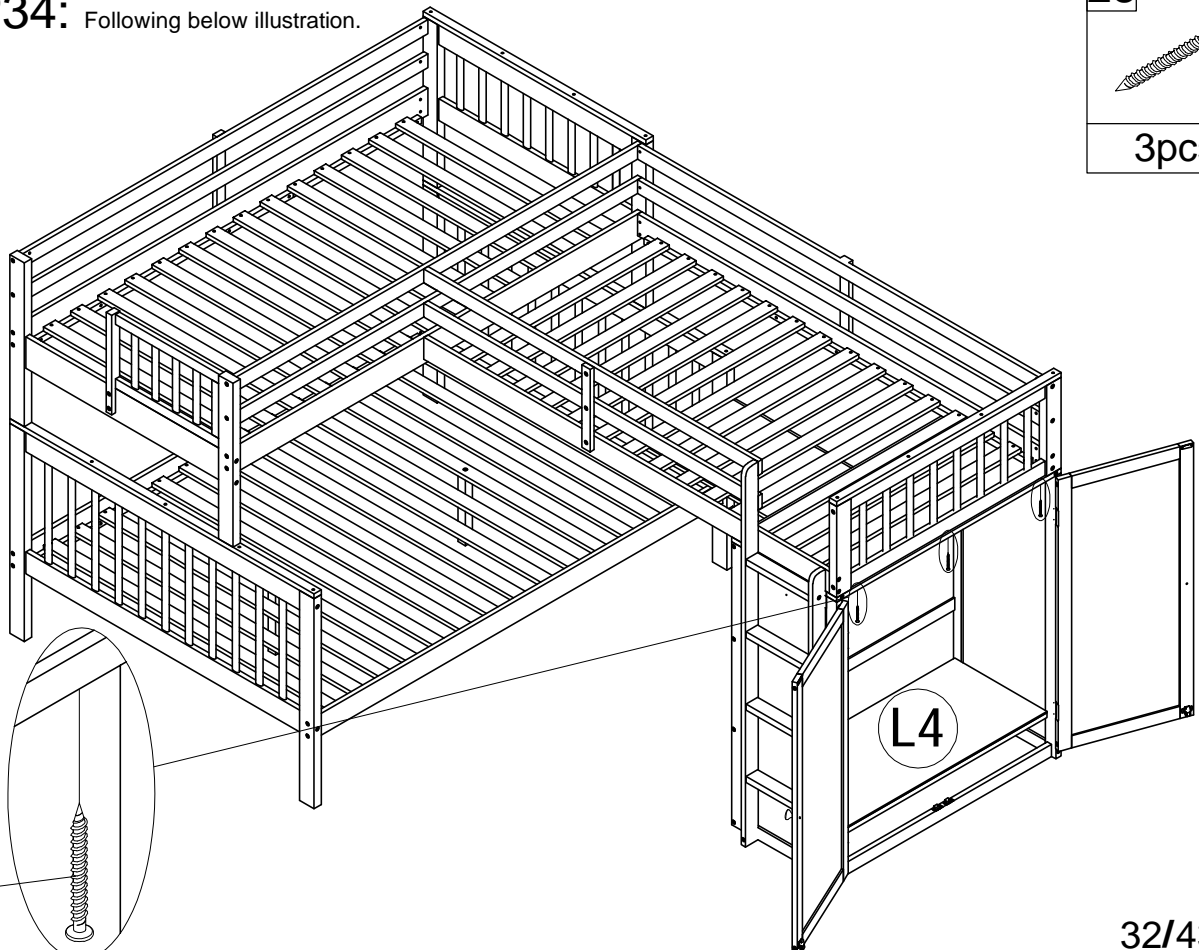


6



28pcs

**STEP34:** Following below illustration.



28



3pcs

28

32/43

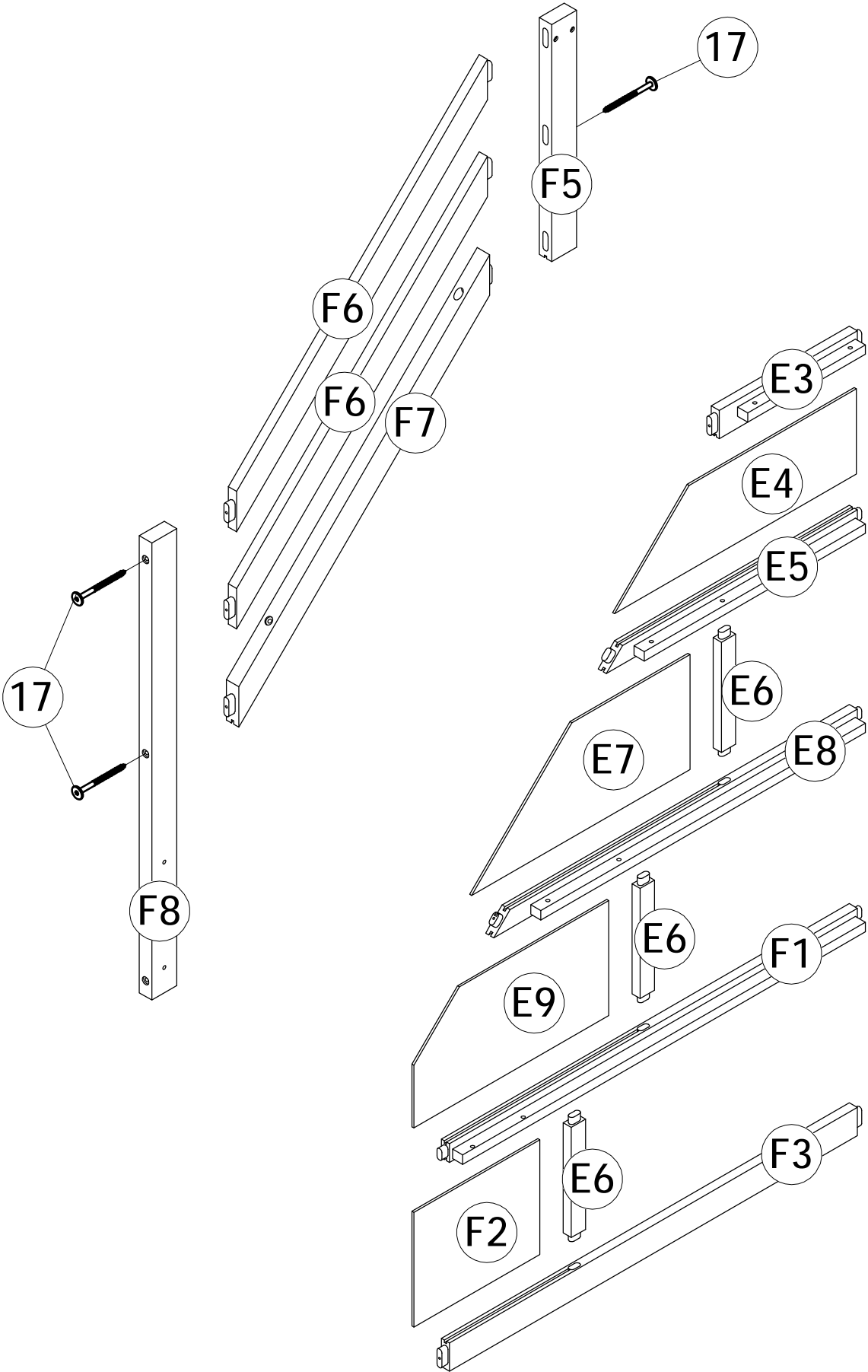


STEP35: Following below illustration.

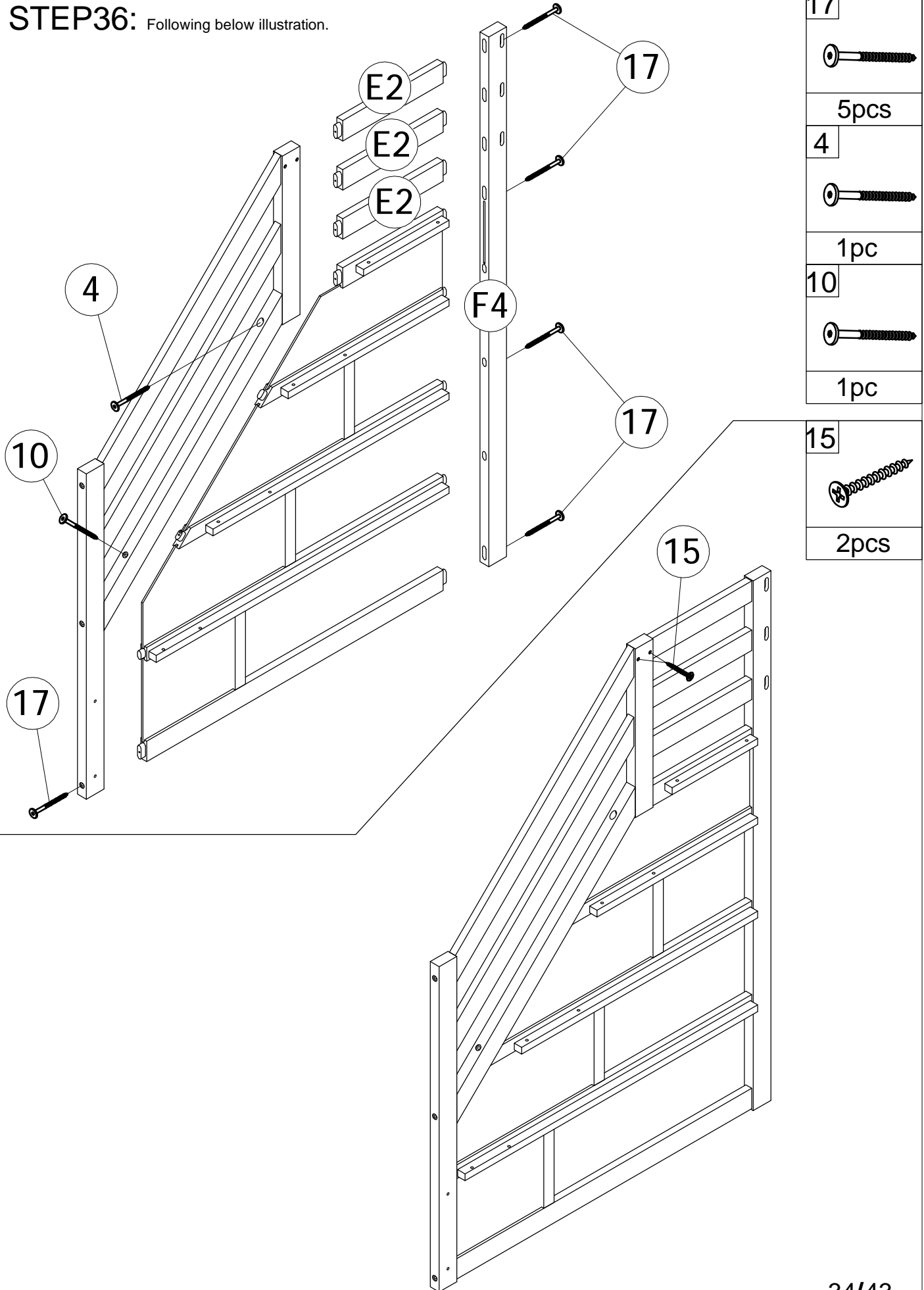
17



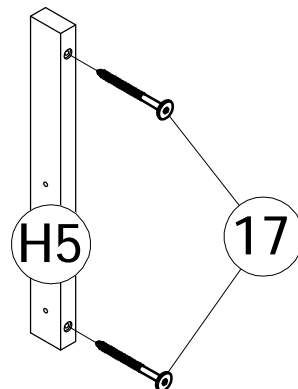
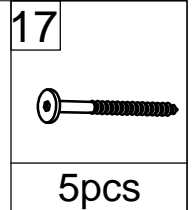
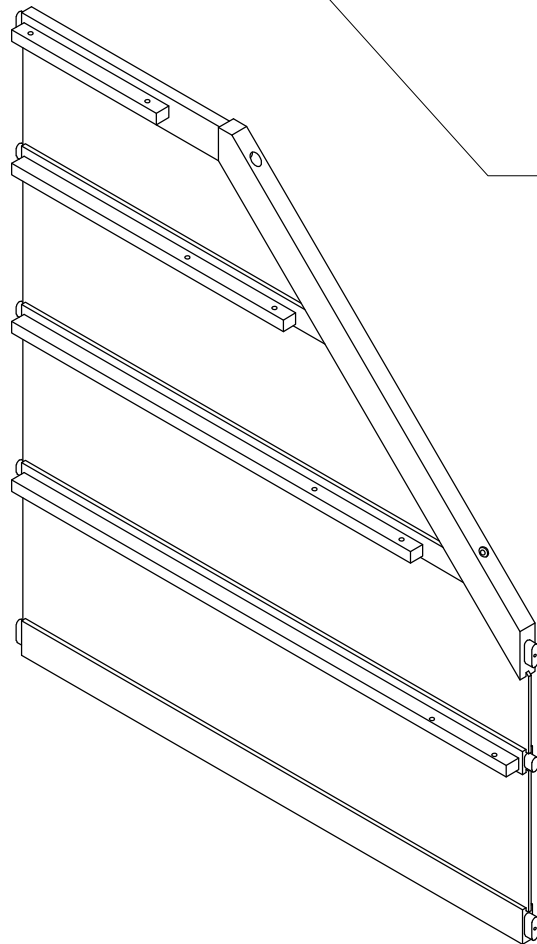
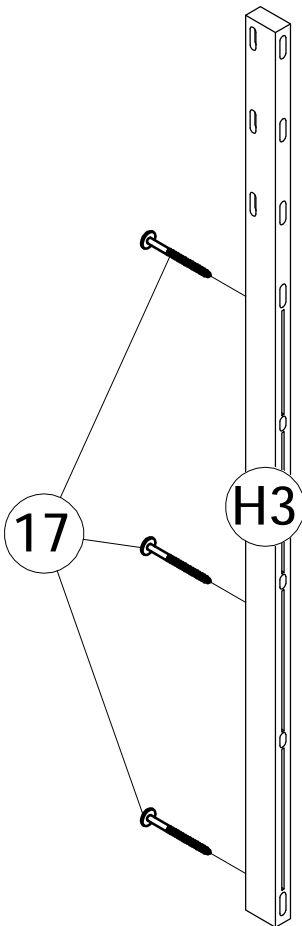
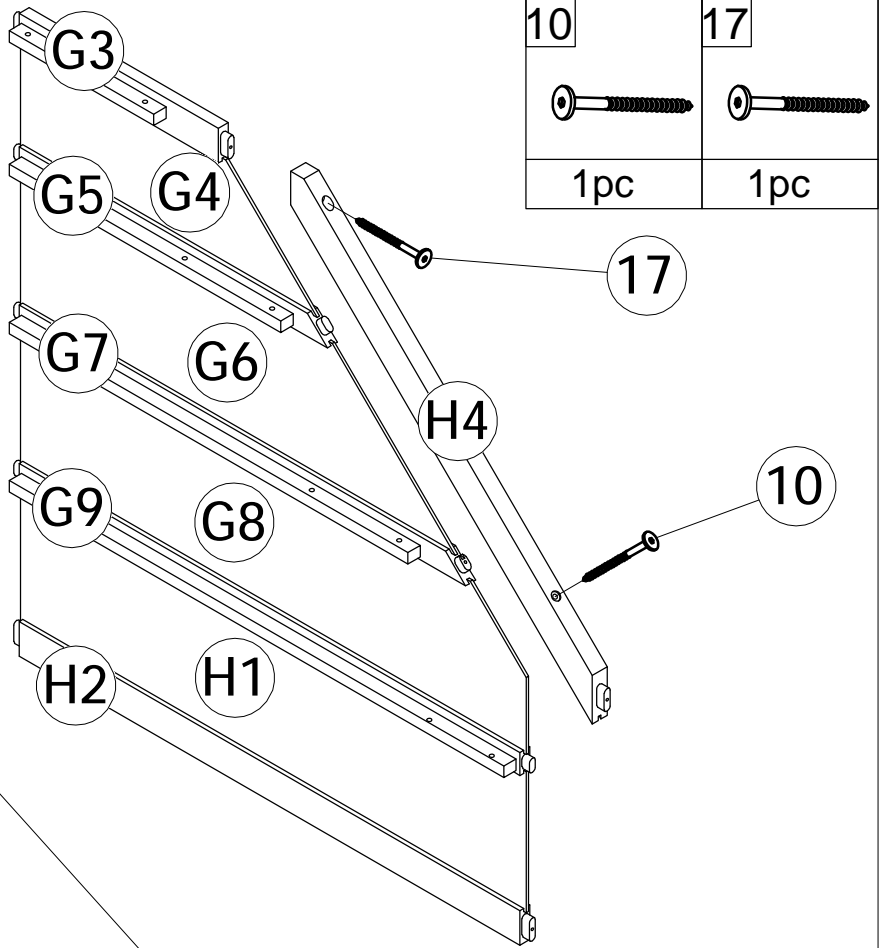
3pcs



**STEP36:** Following below illustration.

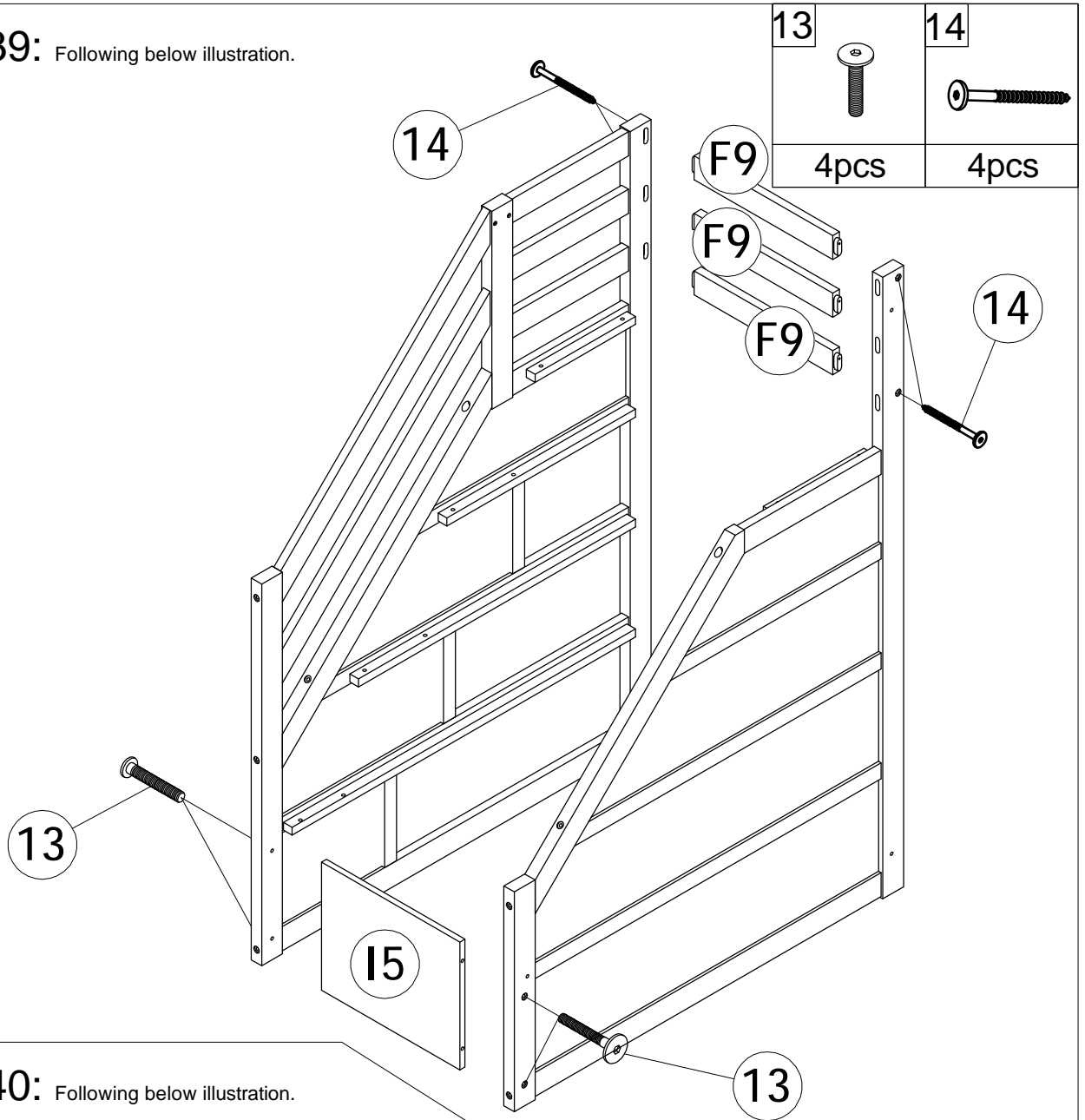


**STEP37:** Following below illustration.

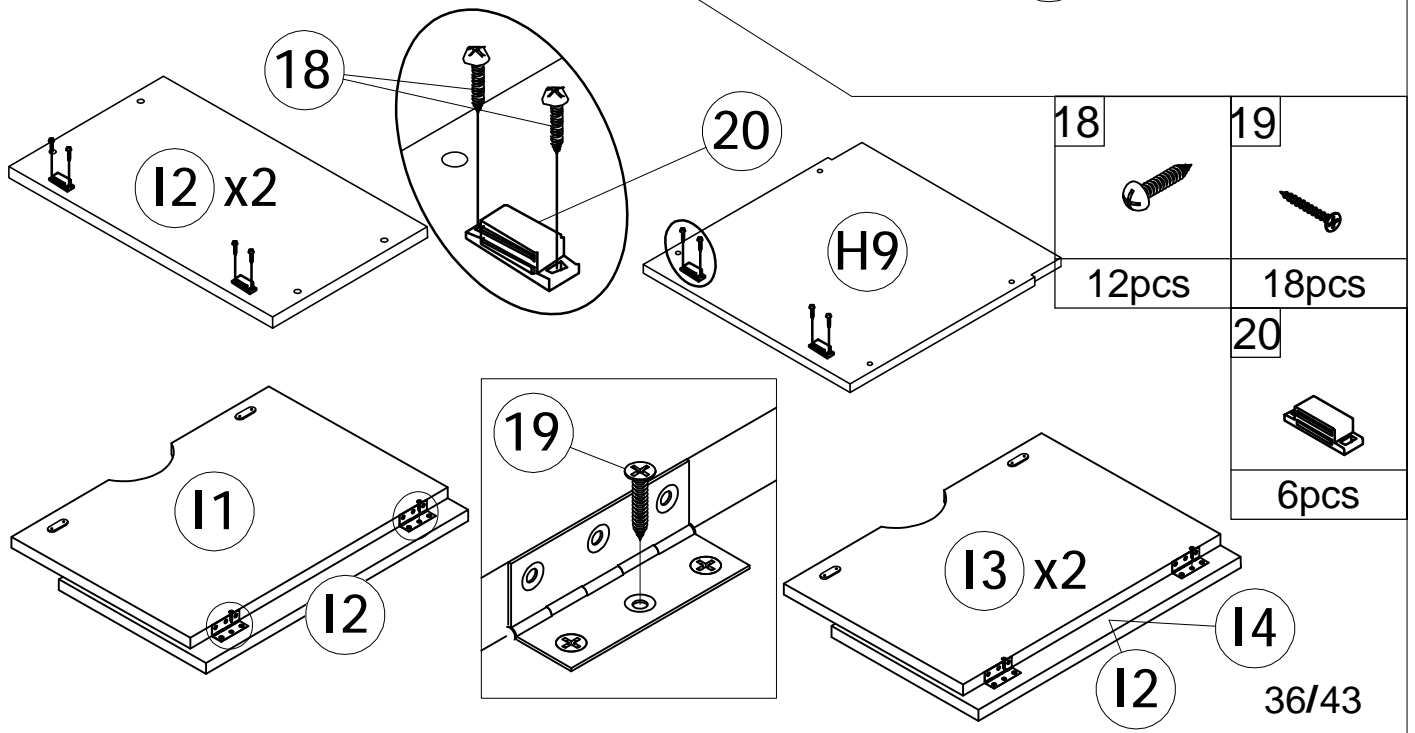


**STEP38:** Following below illustration.

**STEP39:** Following below illustration.



**STEP40:** Following below illustration.

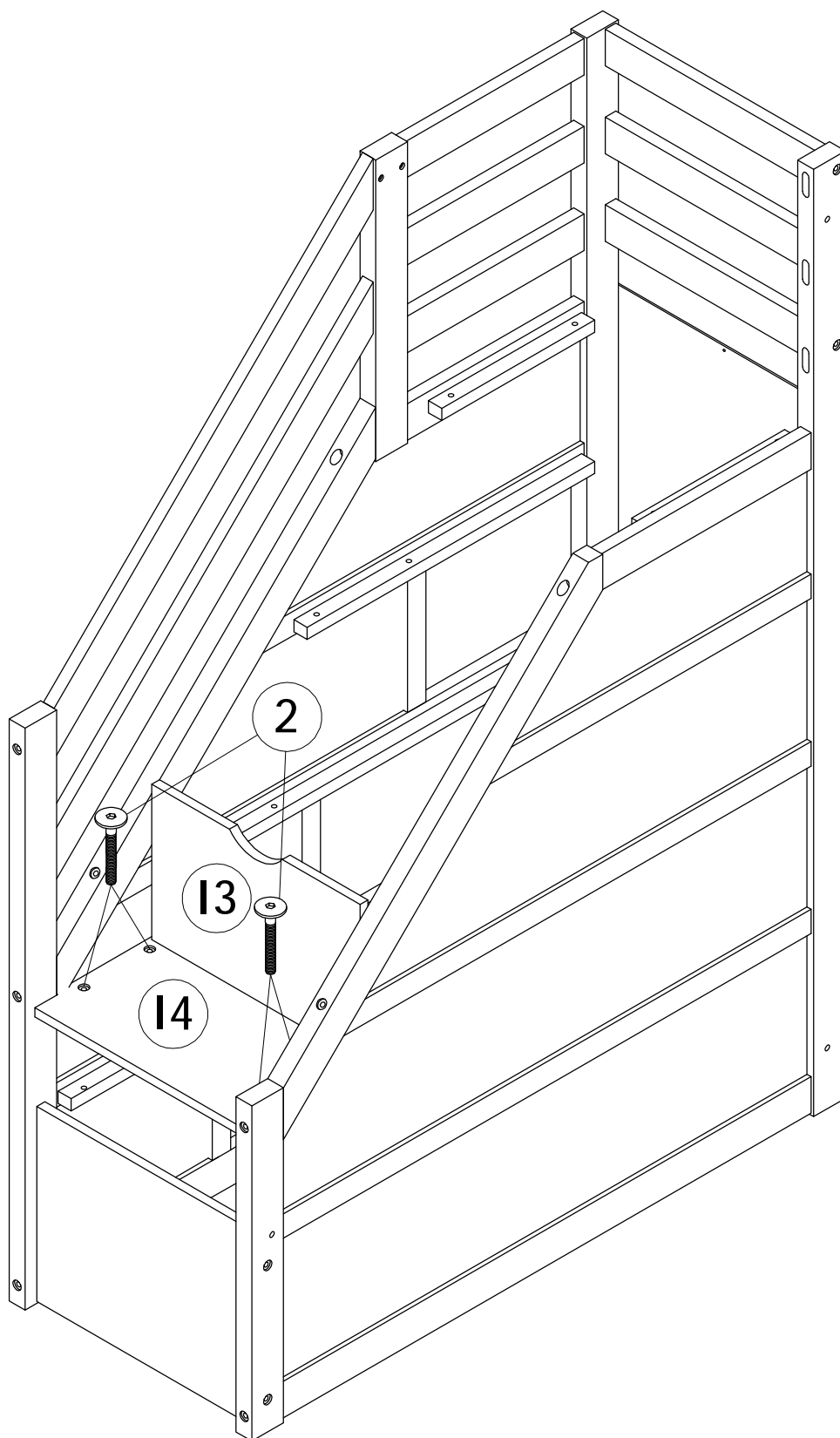


**STEP41:** Following below illustration.

2




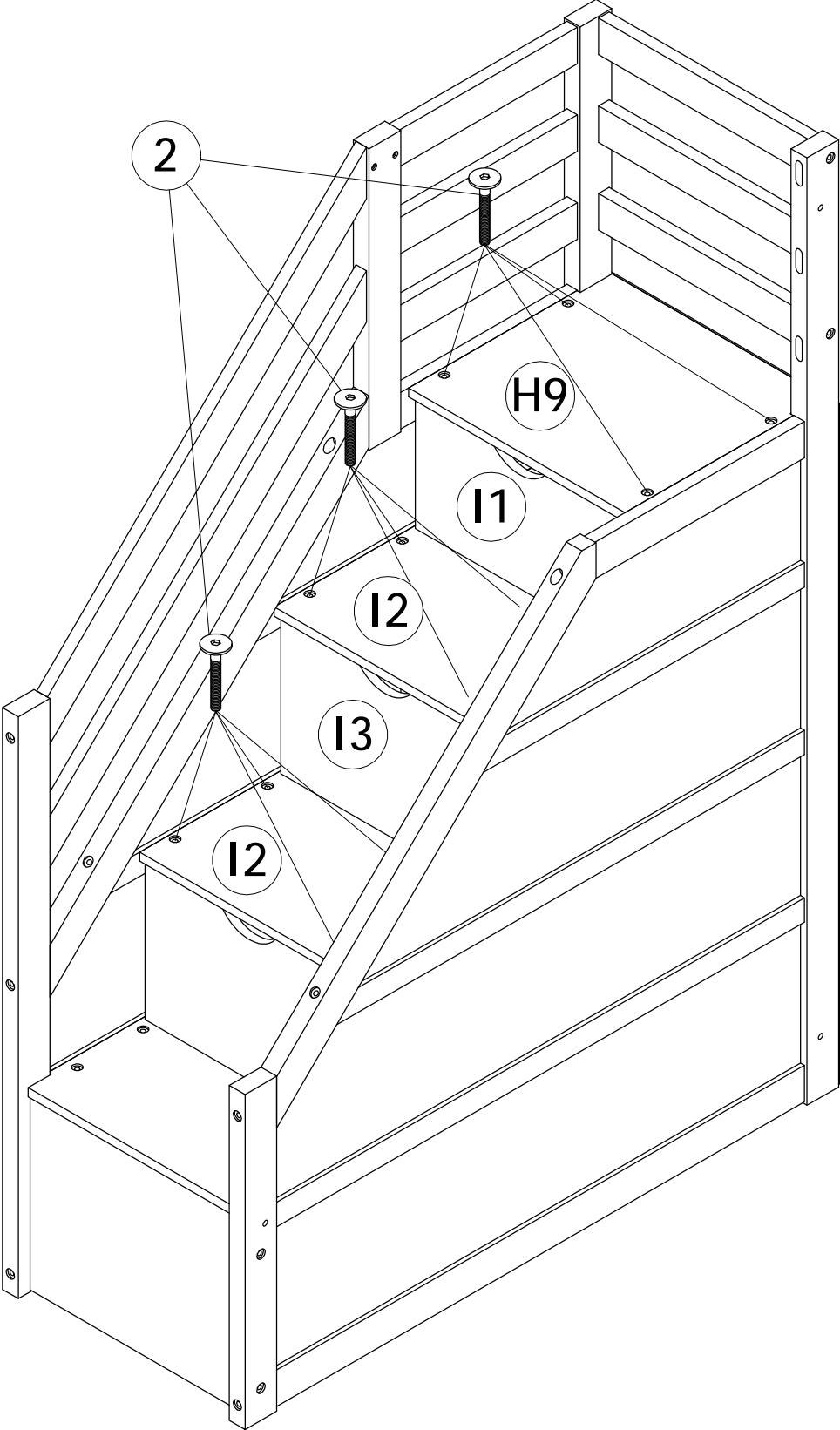
4pcs




37/43

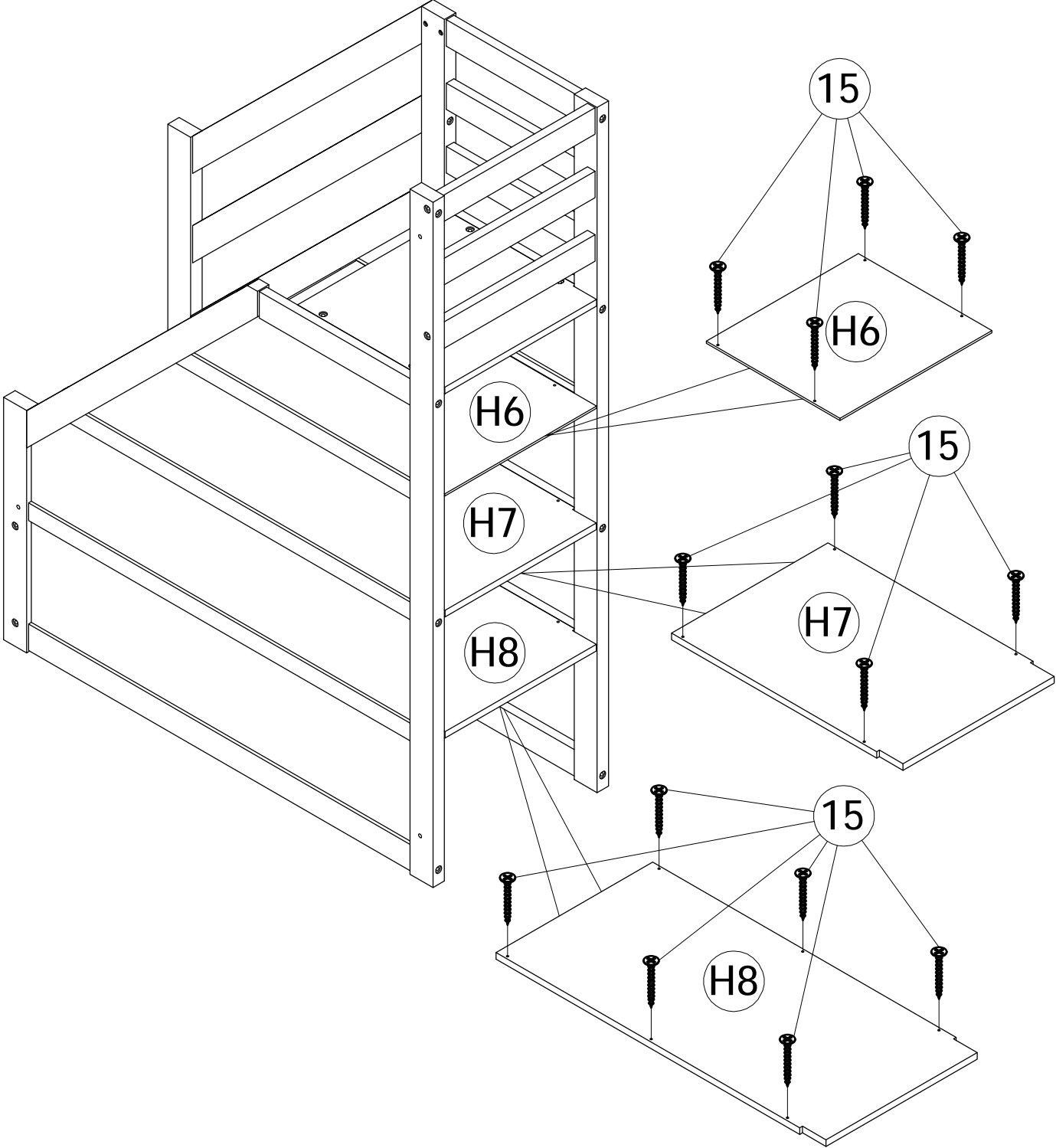
**STEP42:** Following below illustration.

2

12pcs



**STEP43:** Following below illustration.

15	
14pcs	

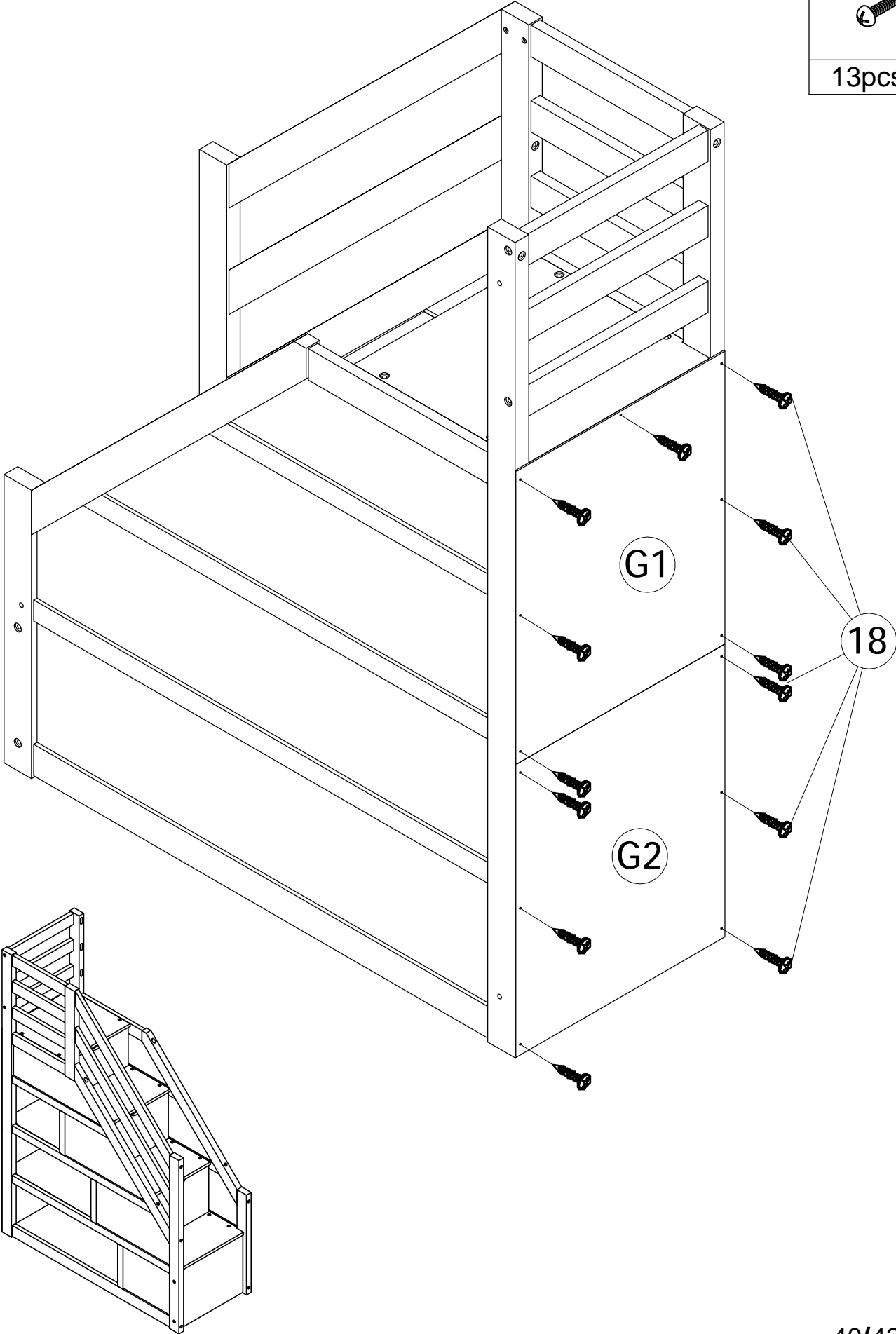


**STEP44:** Following below illustration.

18

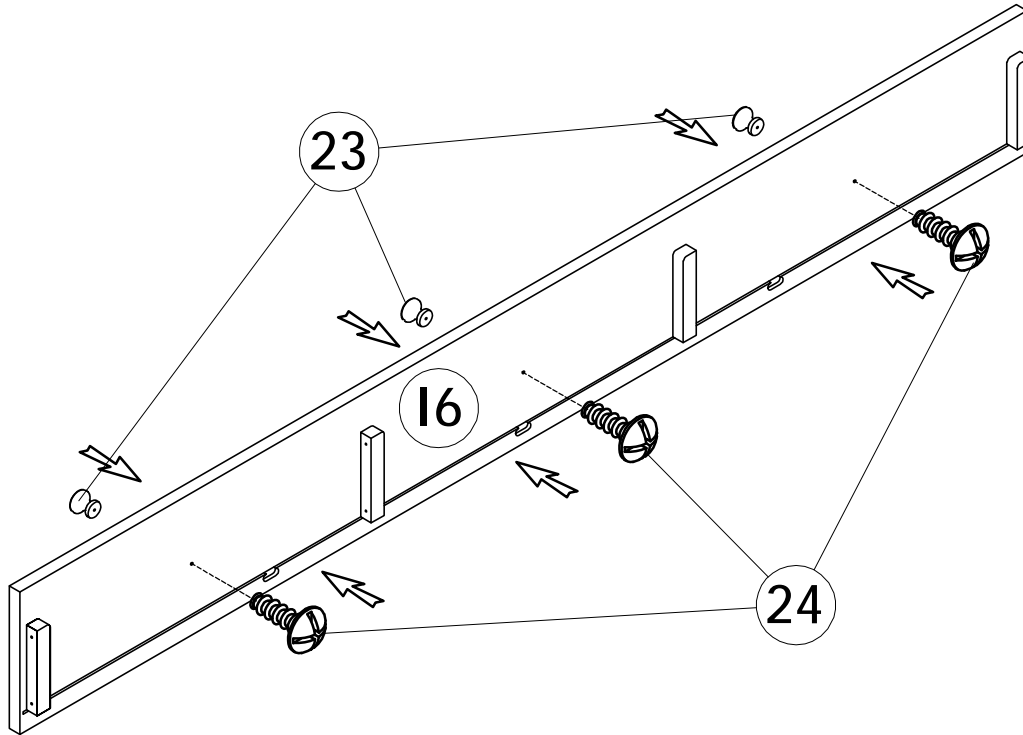




13pcs



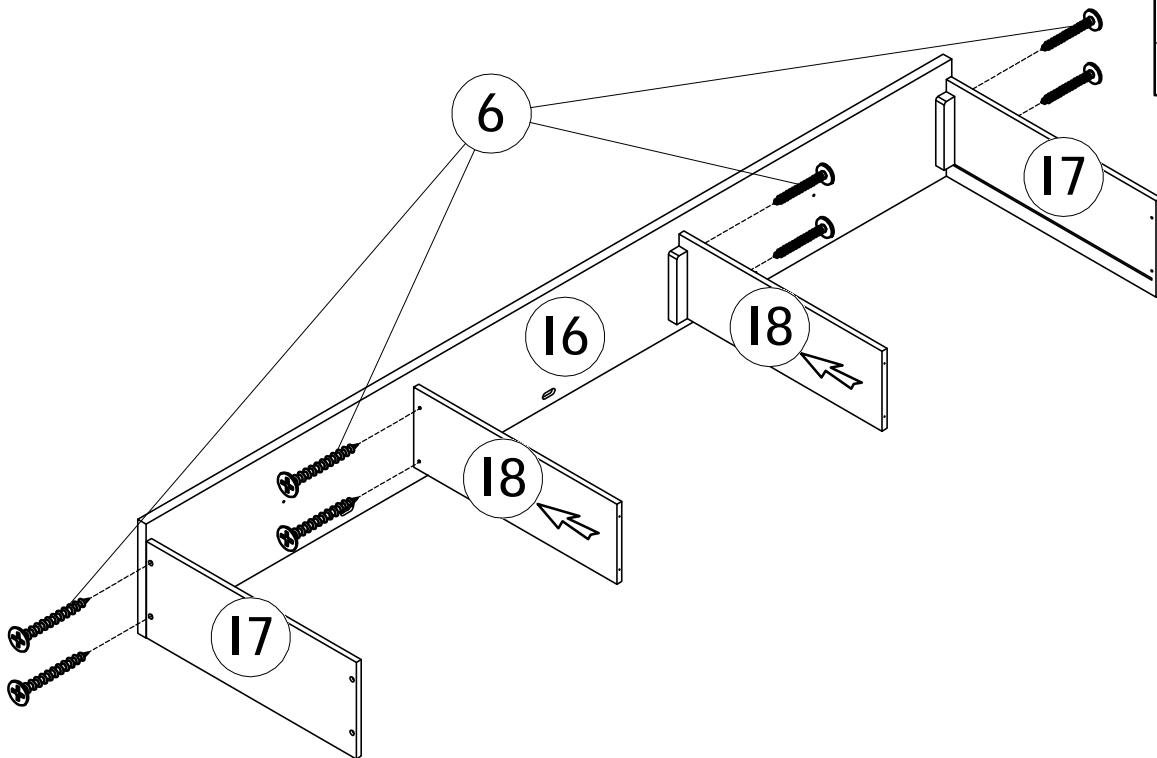



**STEP45:** Following below illustration.



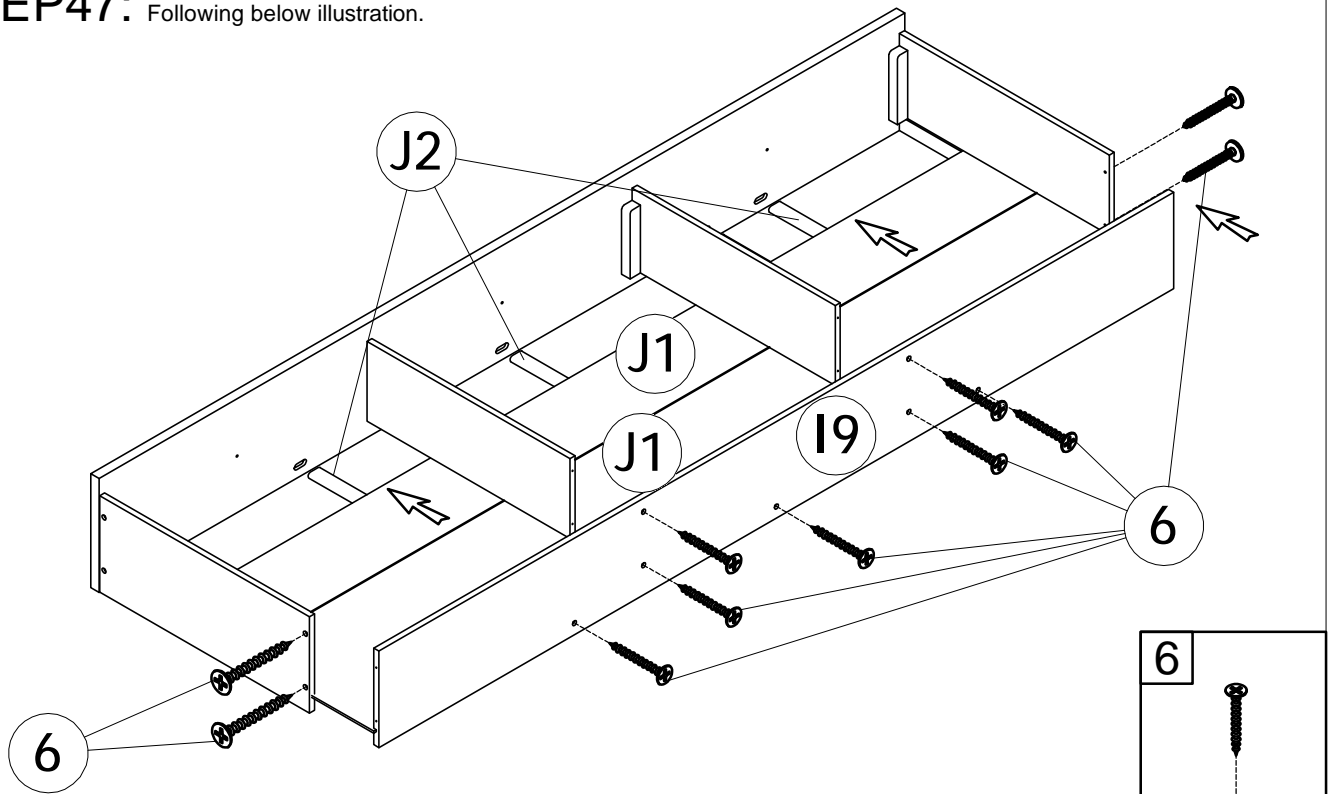
23	
3pcs	
24	
3pcs	


**STEP46:** Following below illustration.





6	
8pcs	

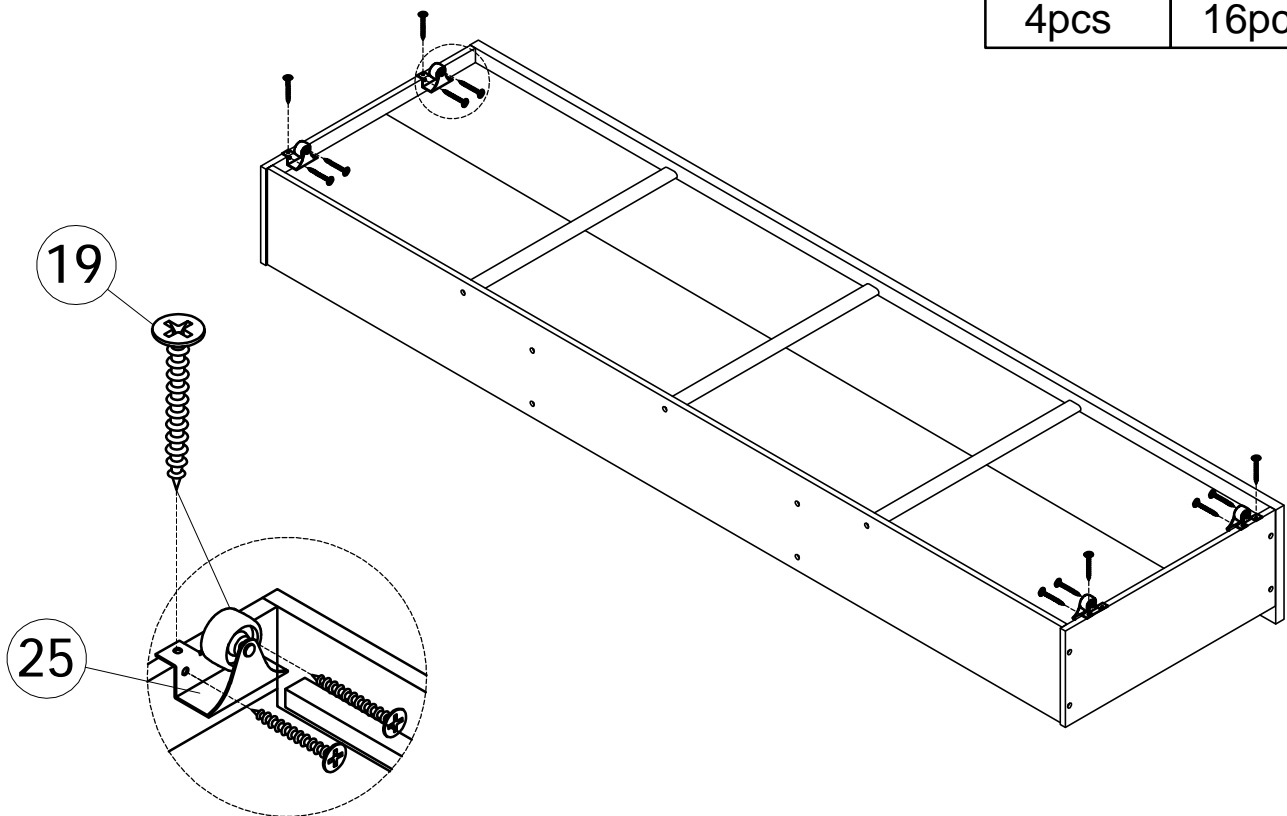
**STEP47:** Following below illustration.



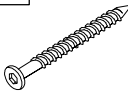
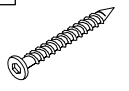
6	
11pcs	

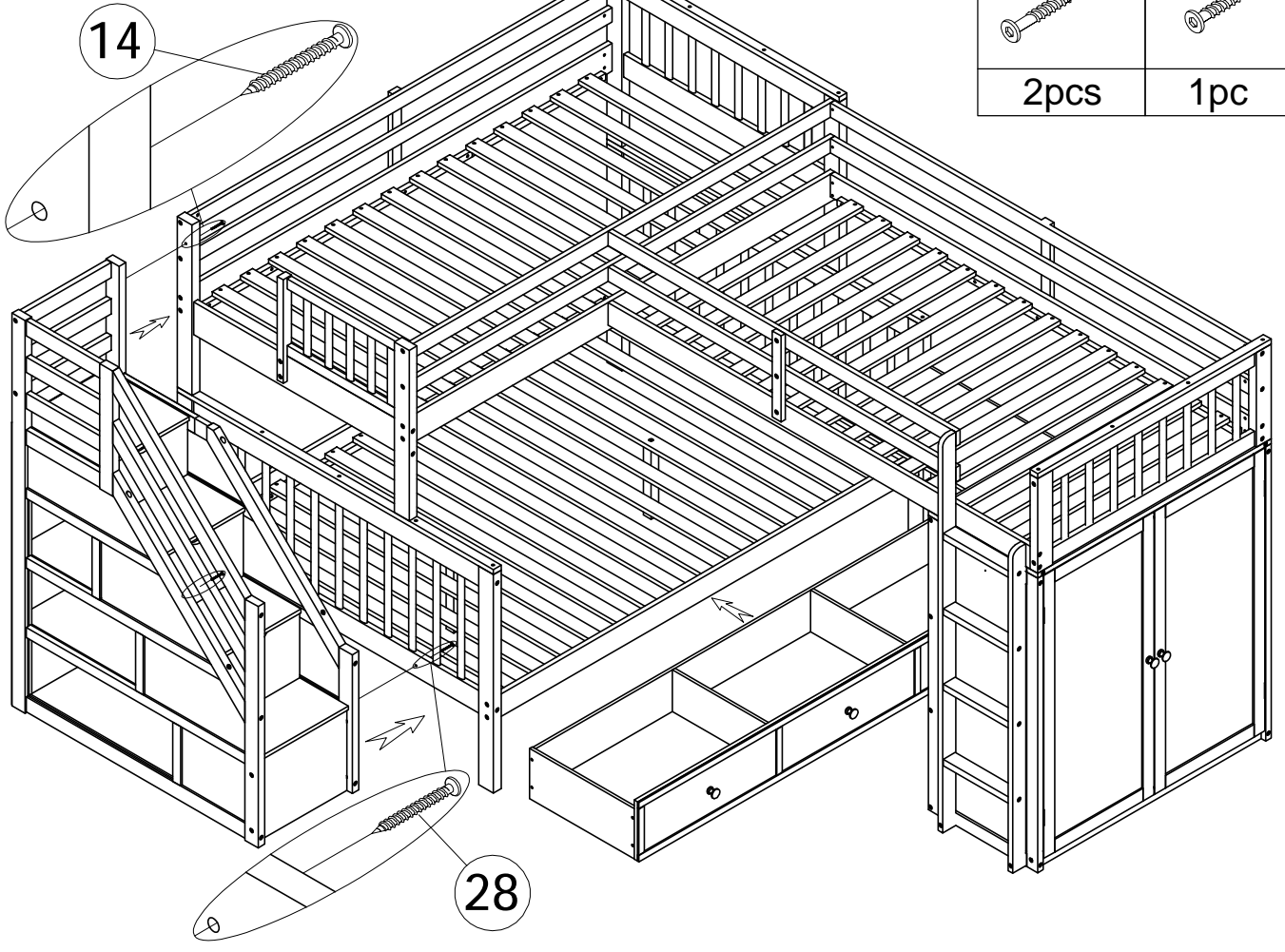
**STEP48:** Following below illustration.

25	
4pcs	
19	
16pcs	



**STEP49:** Following below illustration.

14	28
	
2pcs	1pc



**FINISH:**

