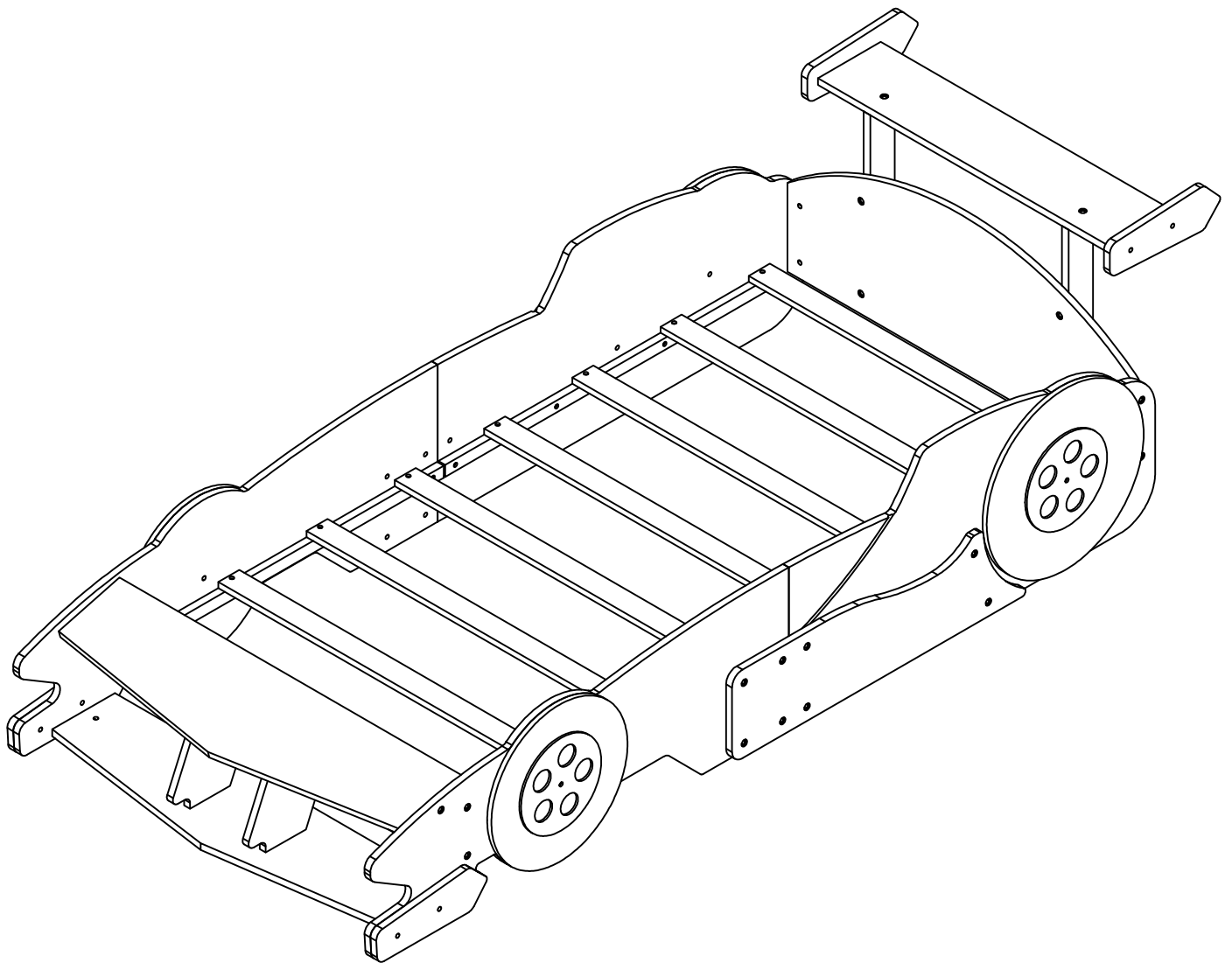
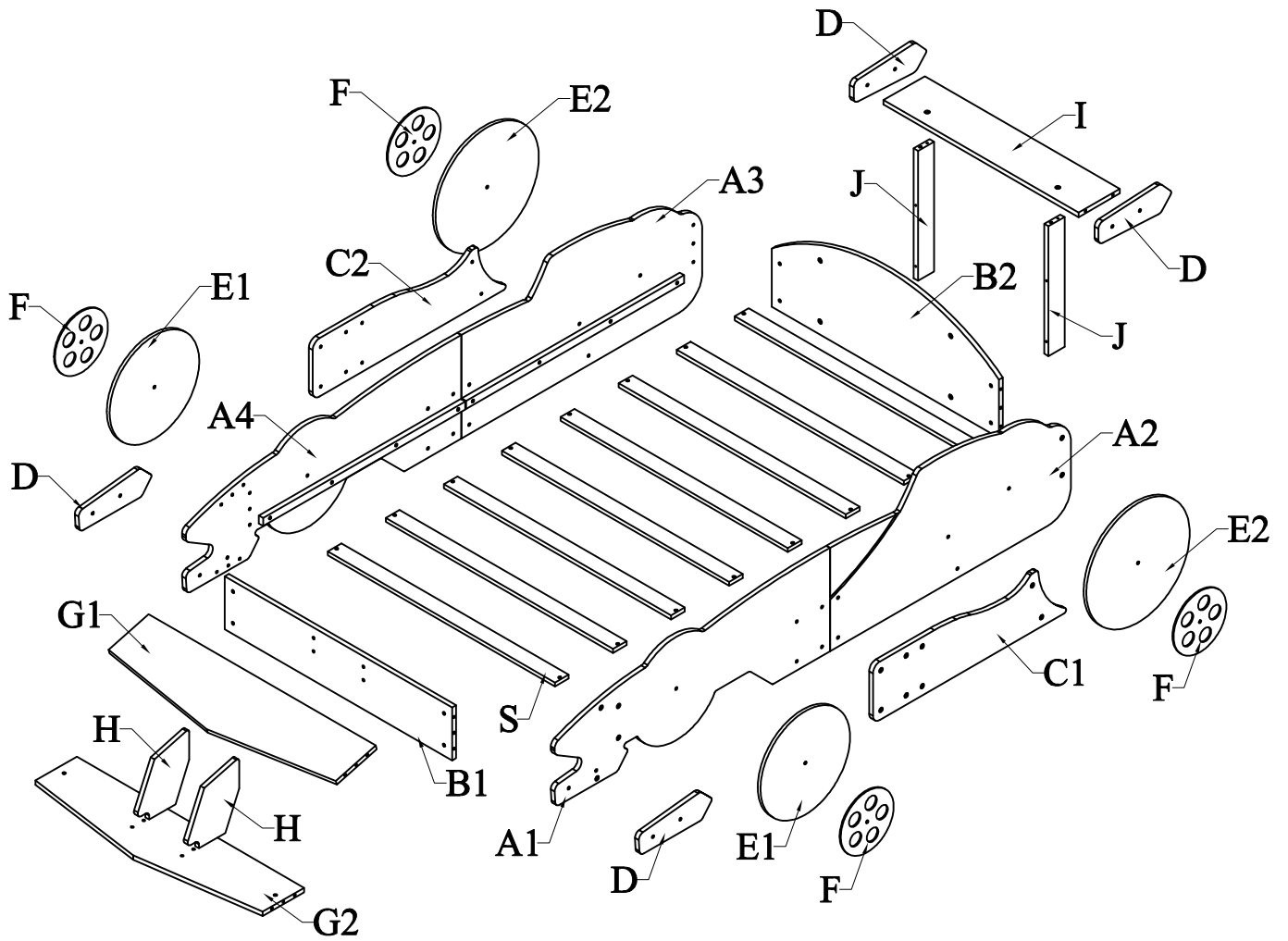


ASSEMBLY INSTRUCTIONS

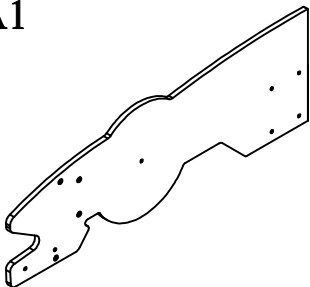
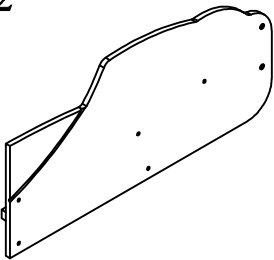
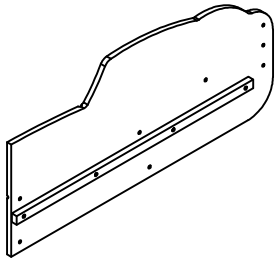
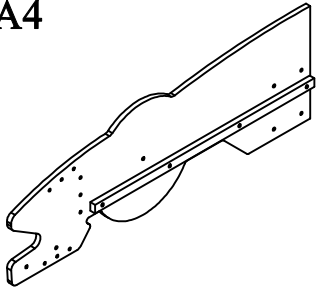
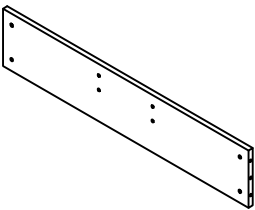
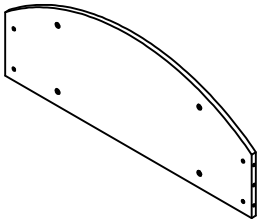
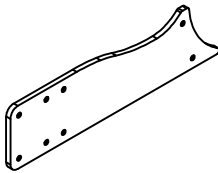
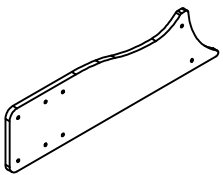
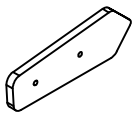



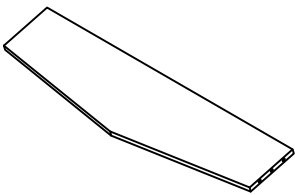
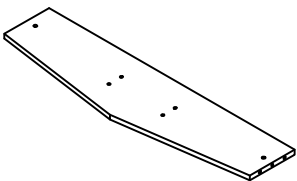

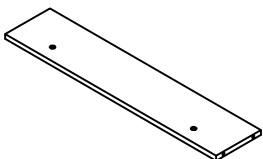

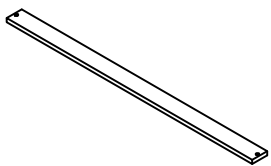
ITEM CODE: WF311965



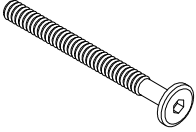
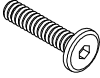
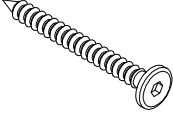


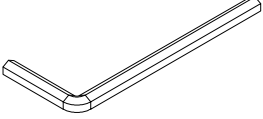
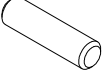
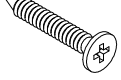
DETAIL VIEW



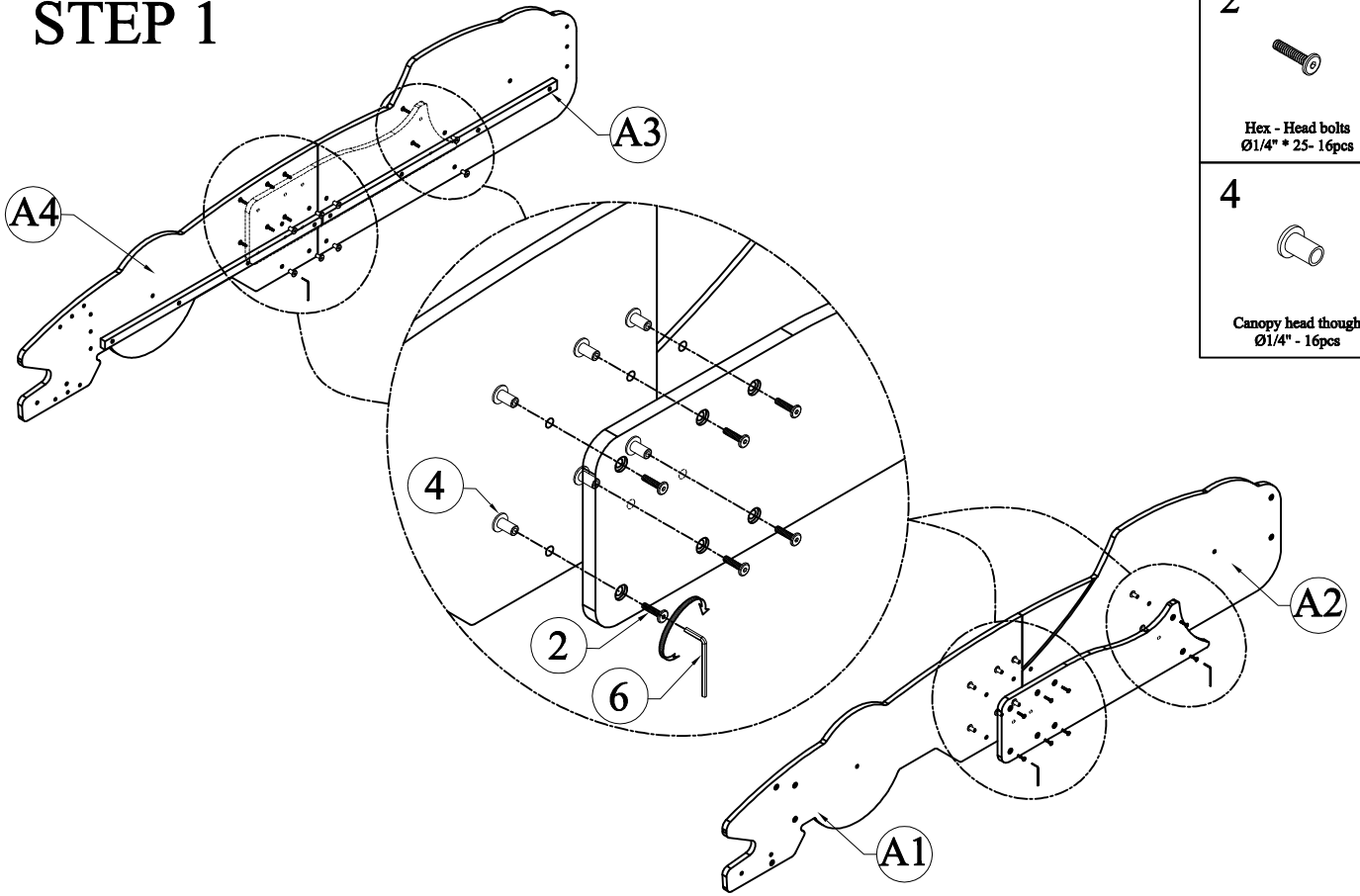
BOX 1: WF311965

<p>A1</p>  <p>Side rail - front right (1pc)</p>	<p>A2</p>  <p>Side rail - back right (1pc)</p>	<p>A3</p>  <p>Side rail - front left (1pc)</p>	<p>A4</p>  <p>Side rail - back left (1pc)</p>
<p>B1</p>  <p>Footboard panel (1pc)</p>	<p>B2</p>  <p>Headboard panel (1pc)</p>	<p>C1</p>  <p>Support side rail - right (1pc)</p>	<p>C2</p>  <p>Support side rail - left (1pc)</p>
<p>D</p>  <p>Cladding panel (4pcs)</p>	<p>E1</p>  <p>Wheel car - small (2pcs)</p>	<p>E2</p>  <p>Wheel car - large (2pcs)</p>	<p>F</p>  <p>Car rims (4pcs)</p>
<p>G1</p>  <p>Footboard panel - top (1pc)</p>	<p>G2</p>  <p>Footboard panel - bottom (1pc)</p>	<p>H</p>  <p>Partition (2pcs)</p>	<p>I</p>  <p>Shelf (1pc)</p>
<p>J</p>  <p>Vertical rail (2pcs)</p>	<p>S</p>  <p>Slats (8pcs)</p>		

HARDWARE LIST: WF311965

<p>1</p>  <p>Hex - Head bolts Ø1/4" * 60- 20pcs</p>	<p>2</p>  <p>Hex - Head bolts Ø1/4" * 25- 24pcs</p>	<p>3</p>  <p>Hexagonal bolts catch wood Ø1/4" * 50 - 6pcs</p>	<p>4</p>  <p>Canopy head though Ø1/4" - 24pcs</p>
<p>5</p>  <p>Horizontal - Hold bolts Ø1/4" - 20pcs</p>	<p>6</p>  <p>Allen key K4 - 2pcs</p>	<p>7</p>  <p>Wood dowel Ø8 * 30 - 18pcs</p>	<p>8</p>  <p>Wood crews M4 * 30 - 16pcs</p>

STEP 1



2



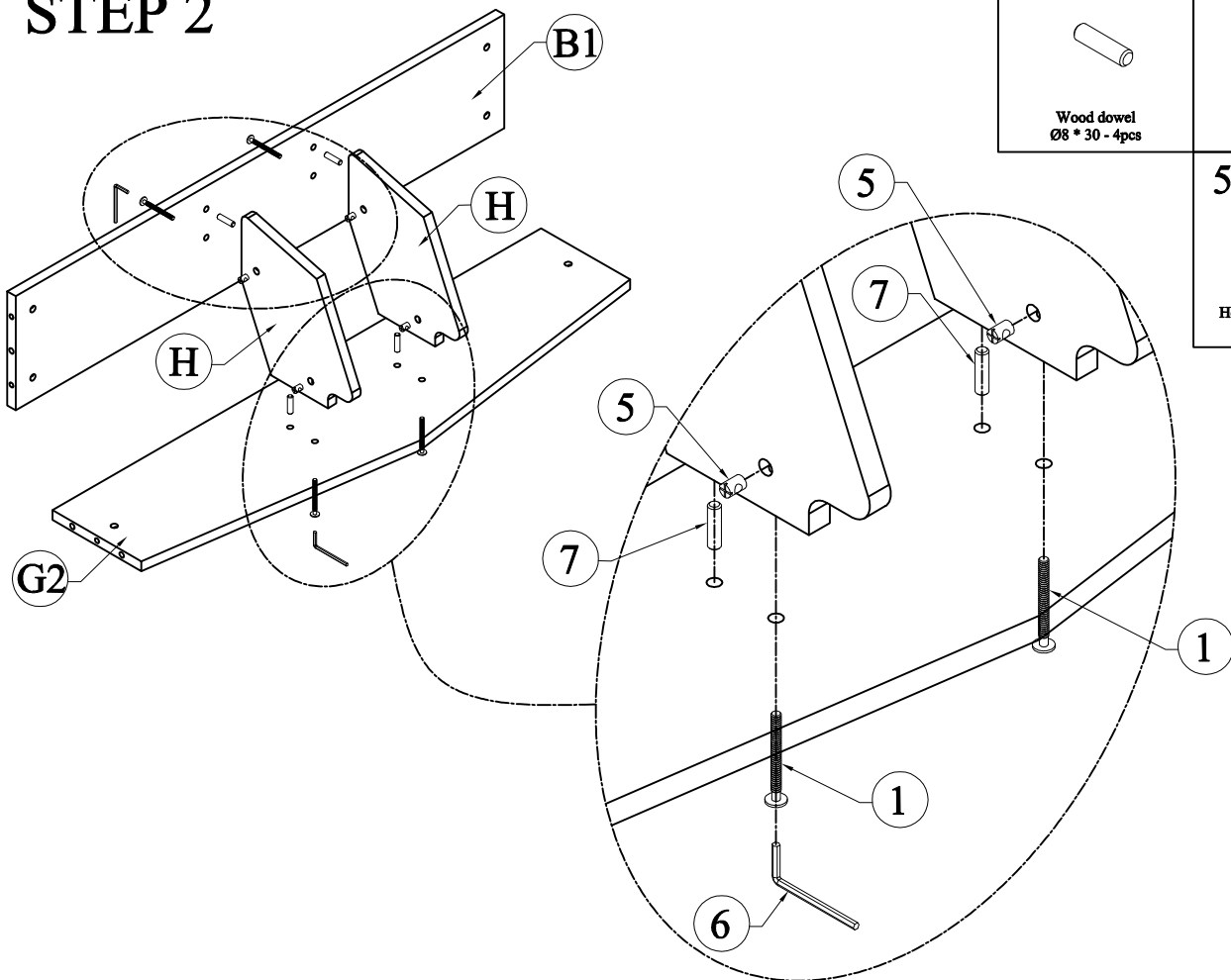
Hex - Head bolts
Ø1/4" * 25- 16pcs

4



Canopy head through
Ø1/4" - 16pcs

STEP 2



7



Wood dowel
Ø8 * 30 - 4pcs

1



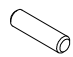
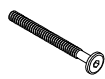

Hex - Head bolts
Ø1/4" * 60- 4pcs

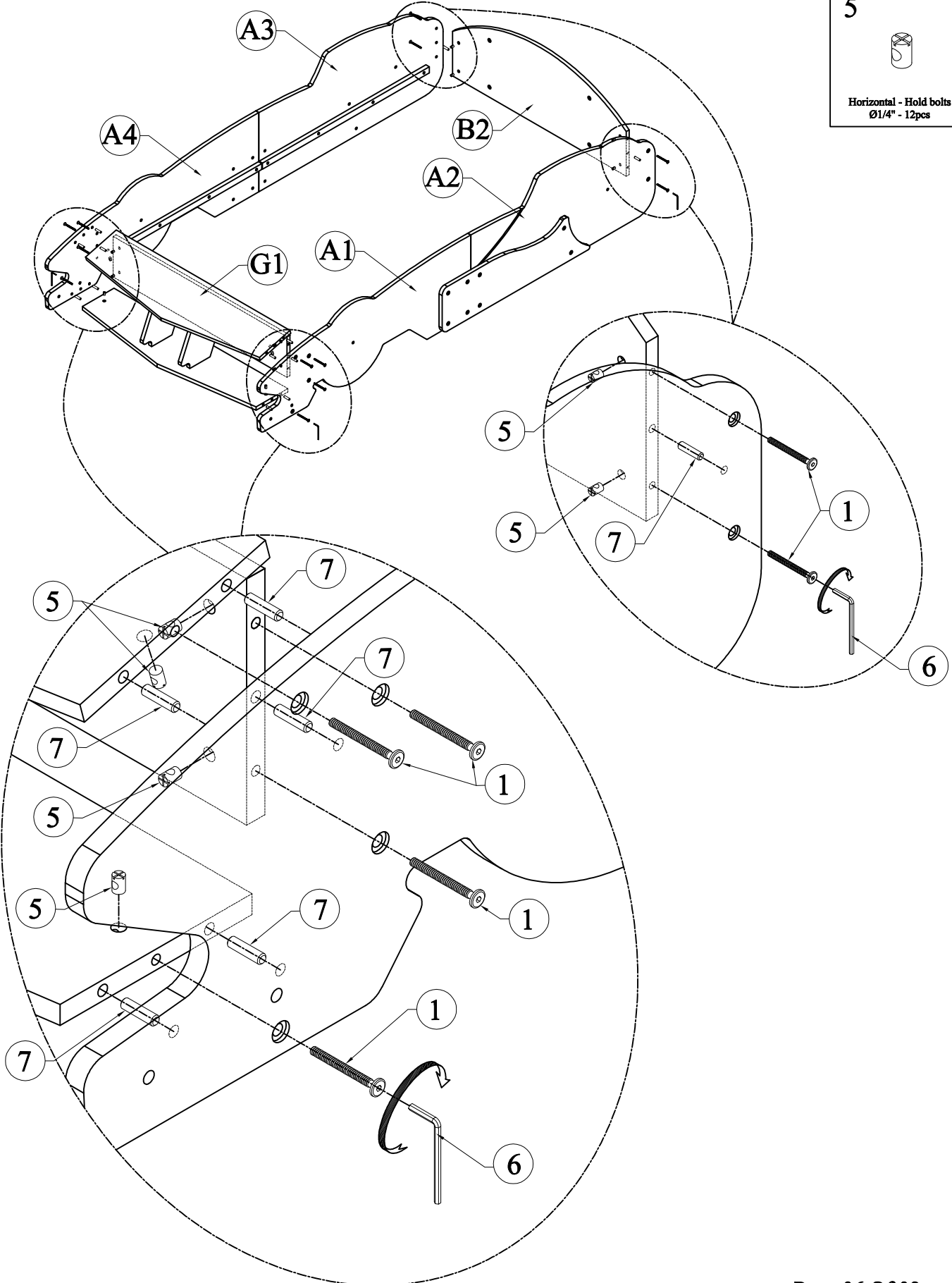
5



Horizontal - Hold bolts
Ø1/4" - 4pcs

STEP 3

<p>7</p>  <p>Wood dowel Ø8 * 30 - 12pcs</p>	<p>1</p>  <p>Hex - Head bolts Ø1/4" * 60- 12pcs</p>
<p>5</p>  <p>Horizontal - Hold bolts Ø1/4" - 12pcs</p>	

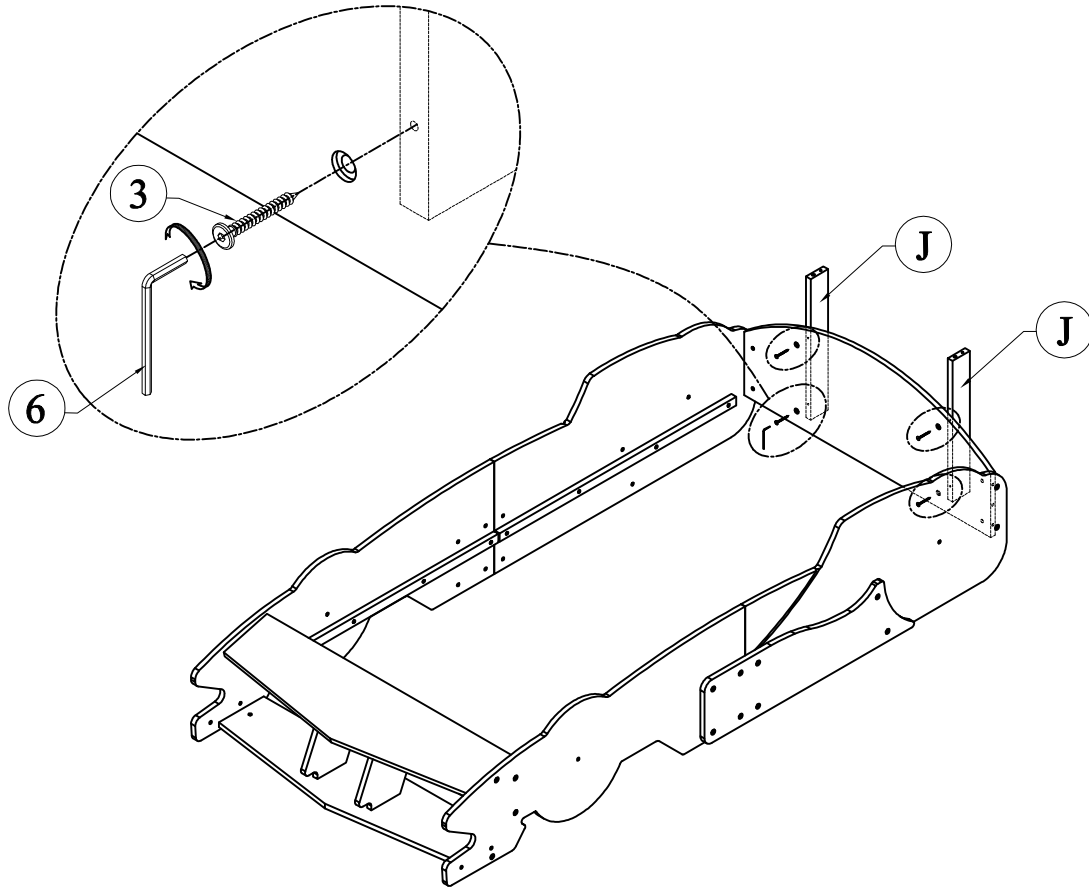


STEP 4

3



Hexagonal bolts catch wood
Ø1/4" * 50 - 4pcs



STEP 5

3

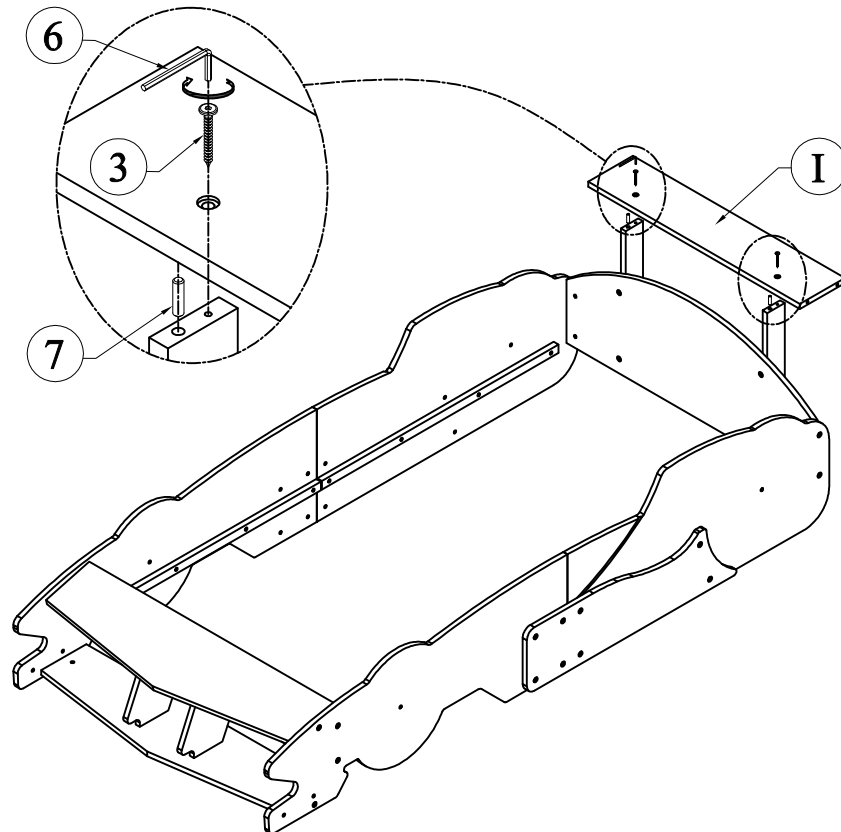


Hexagonal bolts catch wood
Ø1/4" * 50 - 2pcs

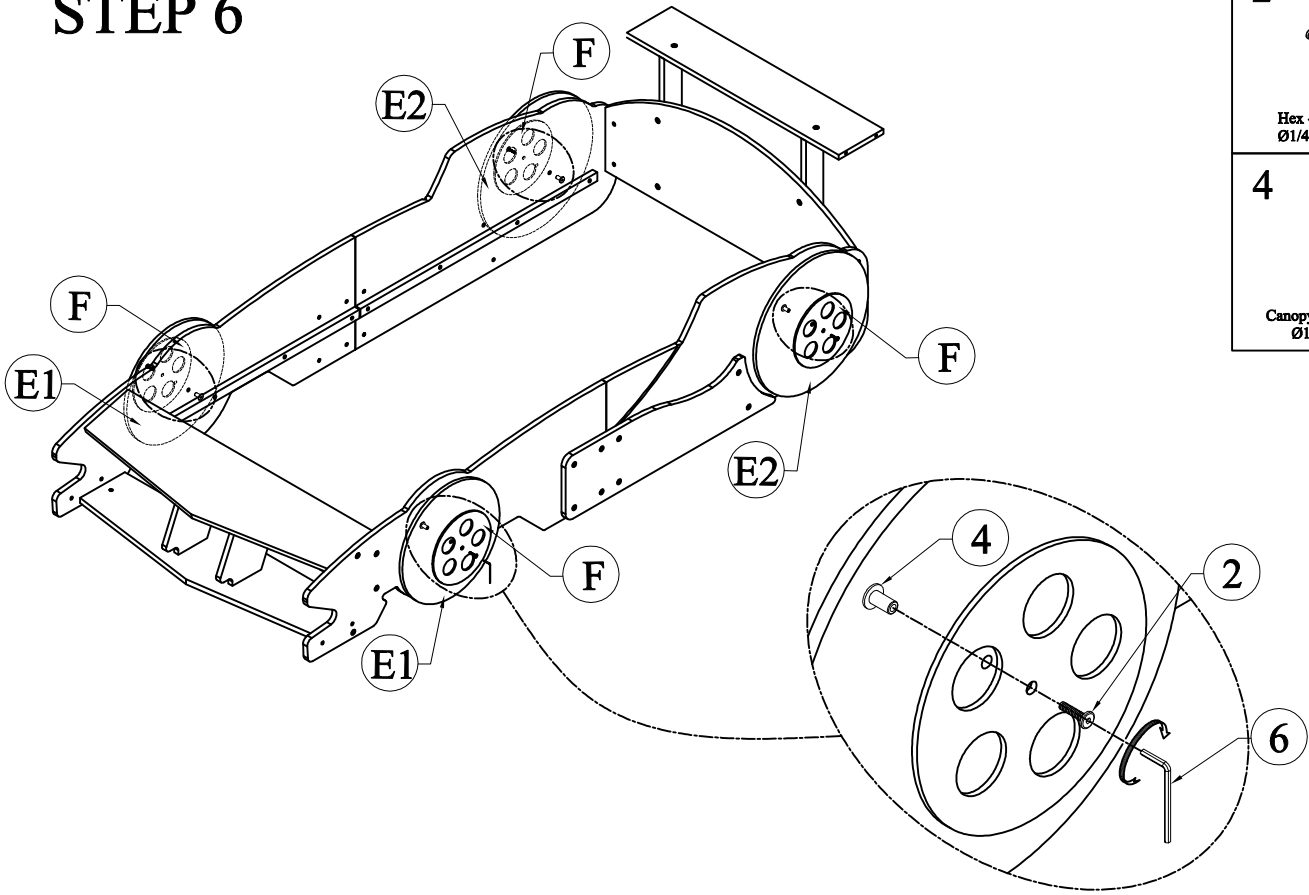
7



Wood dowel
Ø8 * 30 - 2pcs



STEP 6



2



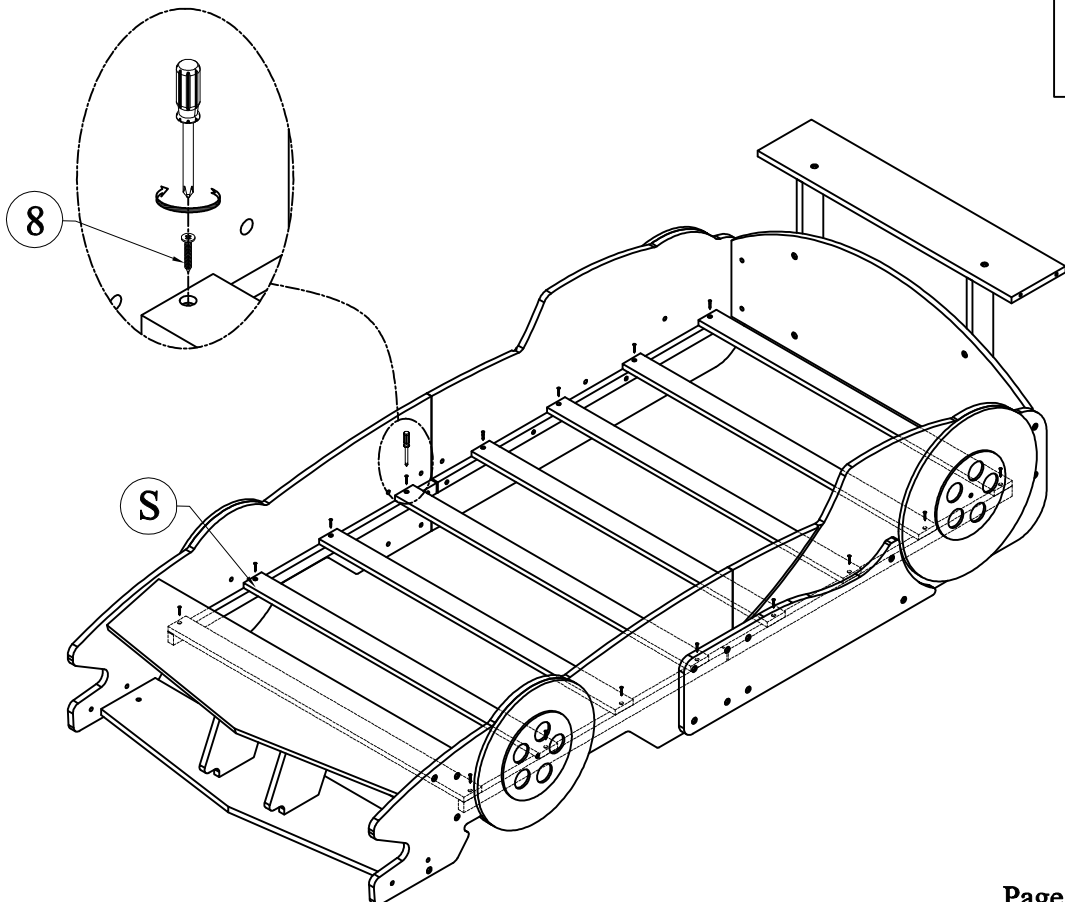
Hex - Head bolts
Ø1/4" * 25- 4pcs

4



Canopy head through
Ø1/4" - 4pcs

STEP 7

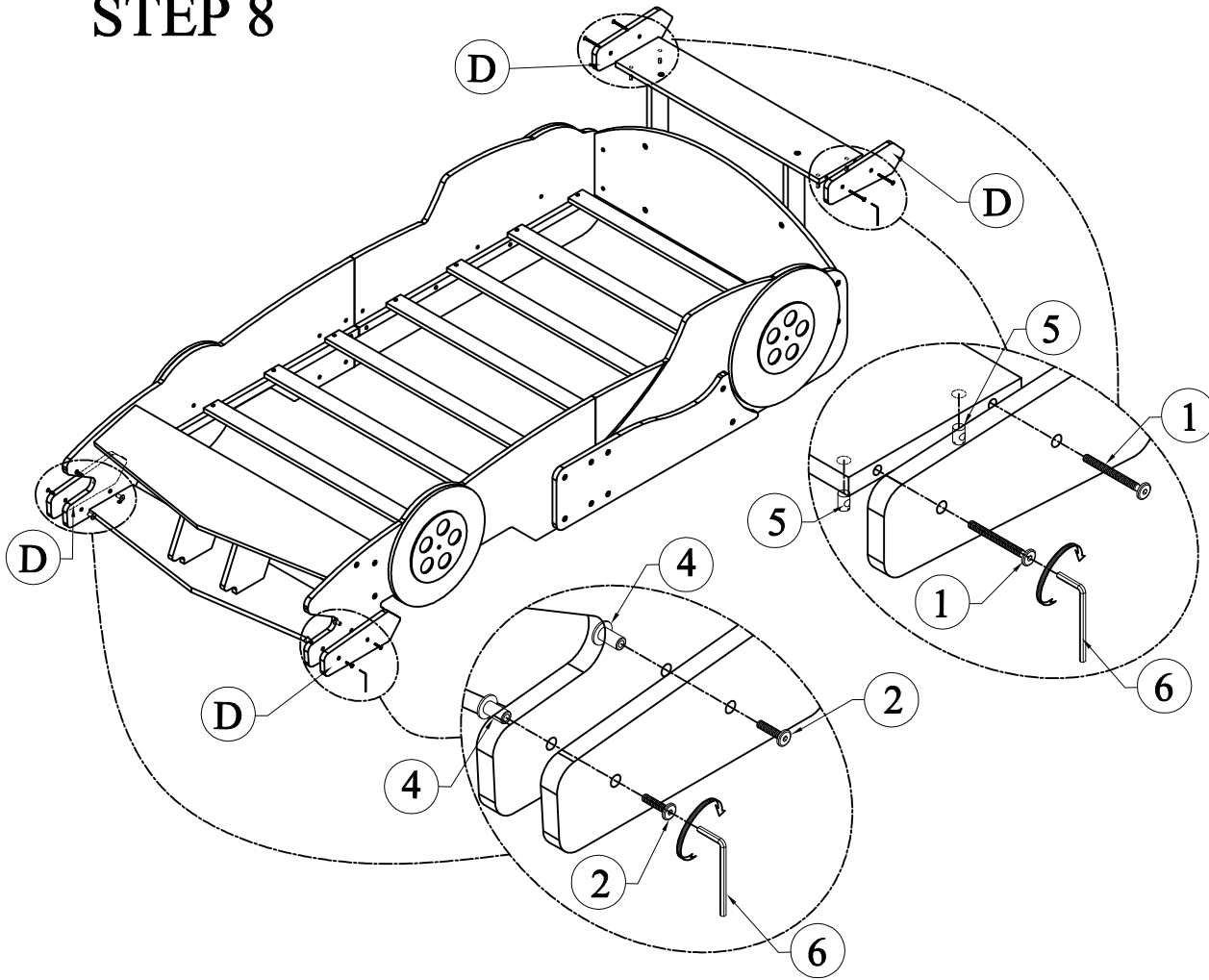


8

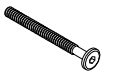


Wood crews
M4 * 30 - 16pcs

STEP 8



1



Hex - Head bolts
Ø1/4" * 60- 4pcs

2



Hex - Head bolts
Ø1/4" * 25- 4pcs

4



Canopy head though
Ø1/4" - 4pcs

5



Horizontal - Hold bolts
Ø1/4" - 4pcs

COMPLETED

