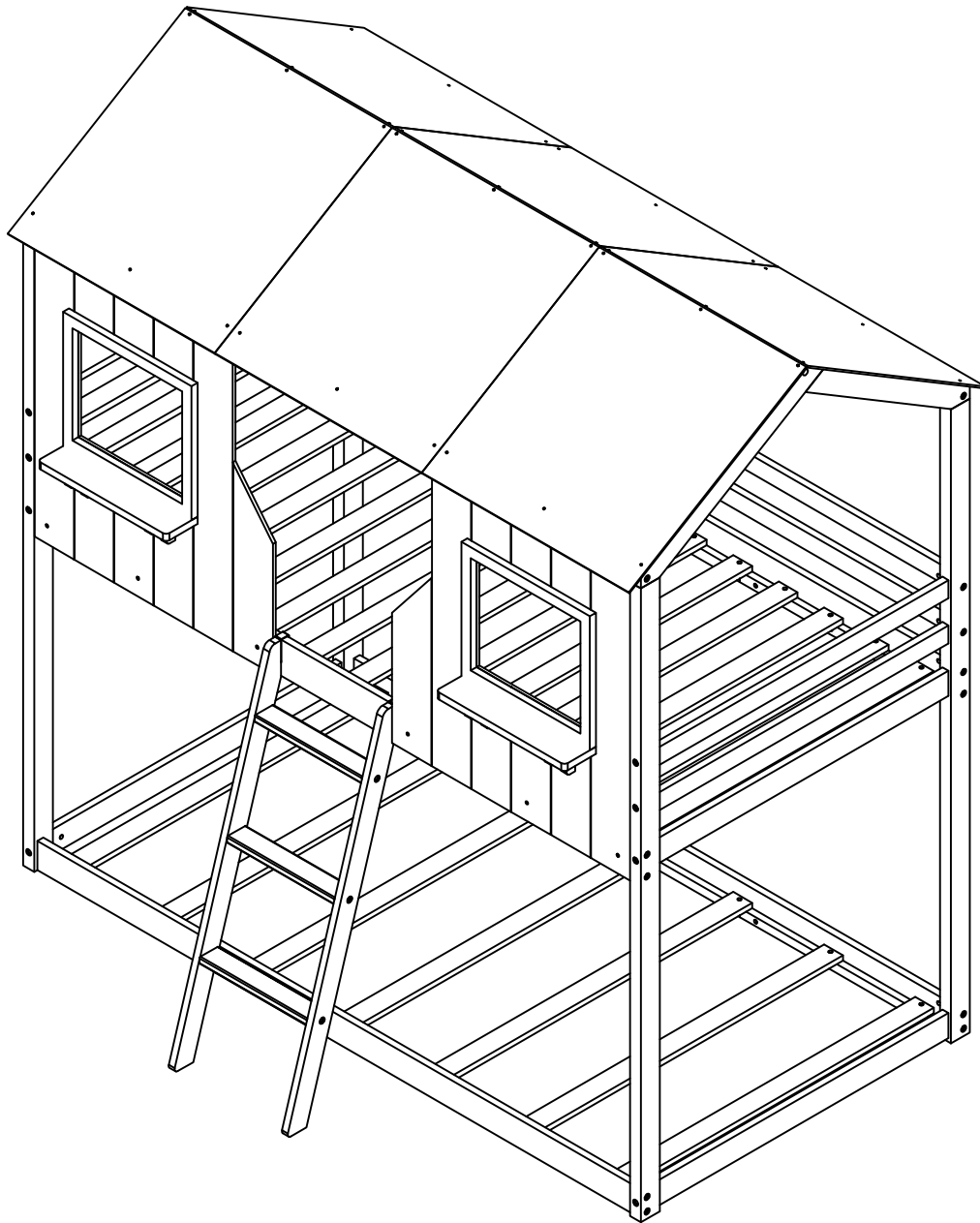


ASSEMBLY INSTRUCTIONS

ITEM CODE: WF311145 / WF311146





SAFETY WARNING



1. This bed is designed for use only mattress (es) meeting the following specifications on the upper bunk, and lower bunk:

Upper bunk (bunk bed and tribed included)

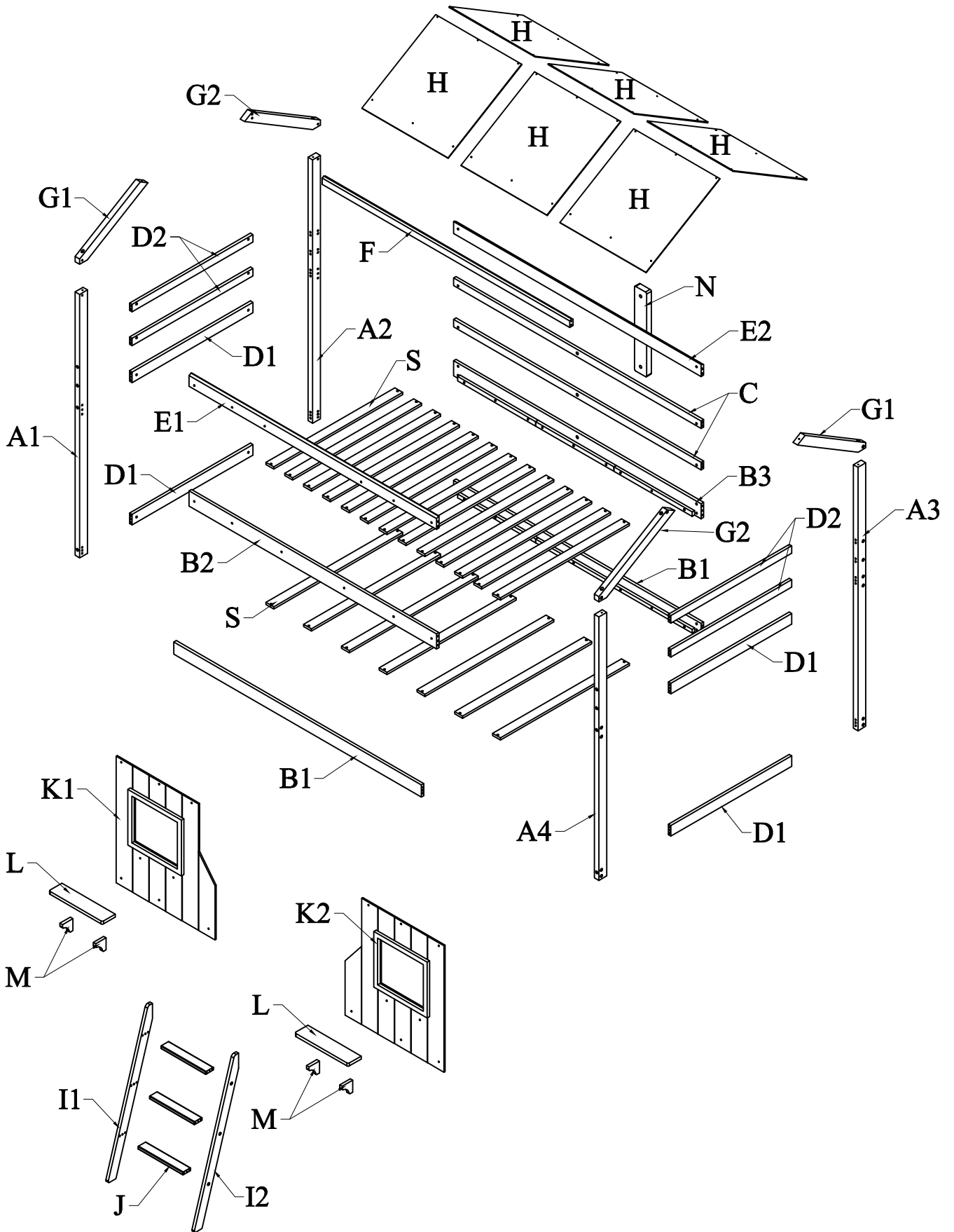
Bed type	Length	With	Thickness
Twin Standard	74" – 75"	38 ½"	6" max

Lower bunk





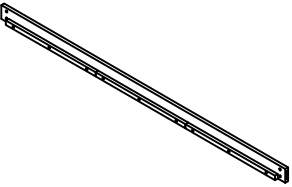
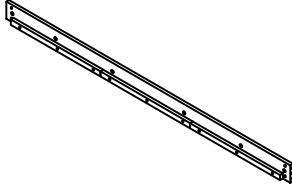
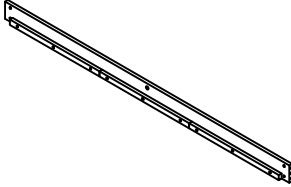
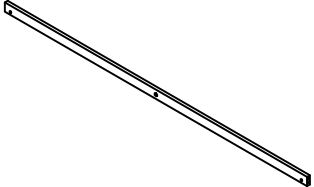
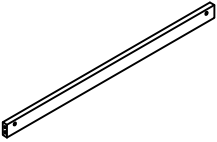
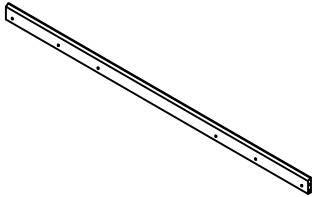
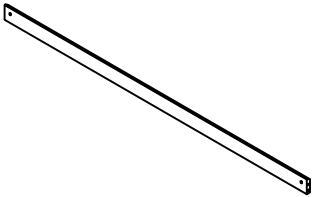
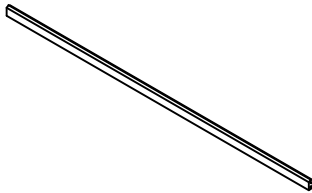
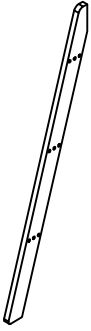
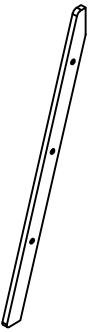

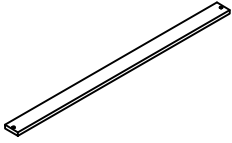
Bed type	Length	With	Thickness
Twin Standard	74" – 75"	38 ½"	6" max

2. Replacement parts, including additional guardrails, maybe obtained from any of our (GIGACLOUD TECHNOLOGY (USA) INC. 18961 ARENTH AVENUE CITY OF INDUSTRY, CA, 91748) dealers.
3. Follow the information on the warnings appearing on the upper bunk bed end structure and on the carton.
Do not remove warning label from bed.
4. Always use the recommended size mattresses or mattress supports, or both, to help prevent the likelihood of entrapment or falls.
5. Surface of mattress must be at least 5" (127mm) below the upper edge of guardrails.
6. Do not allow children under 6 years of age to use the upper bunk.
7. Periodically check and ensure that the guardrail, ladder, and other components are in their proper position, free from damage, and that all connectors are tight.
8. Do not allow horseplay on or under the bed and prohibit jumping on the bed.
9. Always use the ladder for entering and leaving the upper bunk.
10. Do not use substitute part. Contact the manufacture or dealer for replacement part.
11. Use of a night light may provide added safety precaution for a child using the upper bunk.
12. Always use guardrails on both long sides of the upper bunk. If the bunk bed will be placed next to the wall, the guardrail that runs the full length of the bed should be placed against the wall to prevent entrapment between the bed and wall.
13. The use of water or sleep flotation mattresses is prohibited.
14. STRANGULATION HAZARD - Never attach or hang items to any part of the bunk bed that are not designed for use with the bed; for example, but not limited to, hook, belts and jump ropes.
15. Keep these instruction for future reference.
16. Prohibit more than one person on upper bunk.
17. We recommend assembling your bunk bed on the shipping carton to protect your floor or carpet.
18. Be certain all staples are out of the box before beginning assembly on the shipping carton.

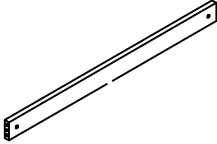
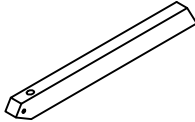
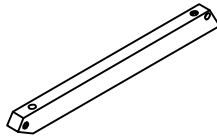
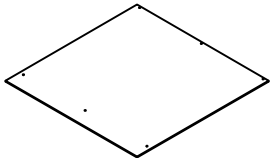
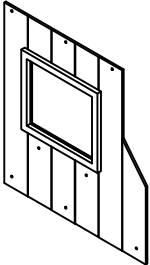
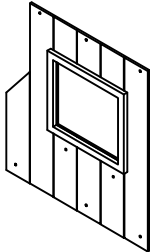
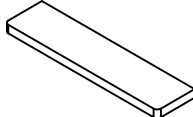
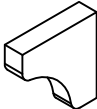
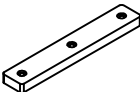
DETAIL VIEW



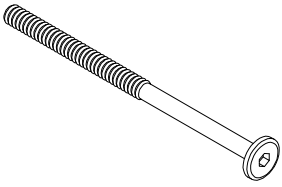
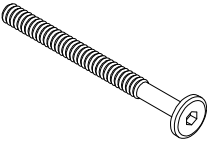
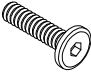
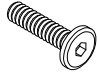


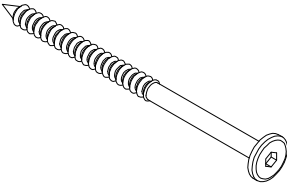
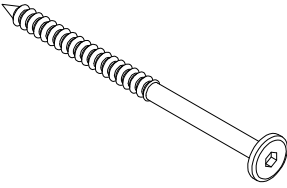
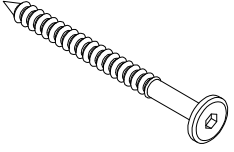
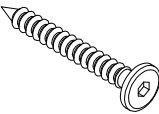

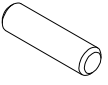
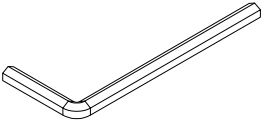
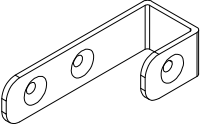
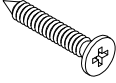

BOX 1: WF311145

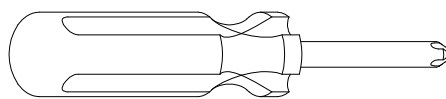
<p>A1</p>  <p>Front leg - left (1pc)</p>	<p>A2</p>  <p>Back leg - left (1pc)</p>	<p>A3</p>  <p>Back leg - right (1pc)</p>	<p>A4</p>  <p>Front leg - right (1pc)</p>
<p>B1</p>  <p>Lower side rails (2pcs)</p>	<p>B2</p>  <p>Upper side rails - front (1pc)</p>	<p>B3</p>  <p>Upper side rails - back (1pc)</p>	<p>C</p>  <p>Guardrail (2pcs)</p>
<p>D2</p>  <p>Horizontal rail - top (4pcs)</p>	<p>E1</p>  <p>Top rail - front (1pc)</p>	<p>E2</p>  <p>Top rail - back (1pc)</p>	<p>F</p>  <p>Top rail - middle (1pc)</p>
<p>I1</p>  <p>Stairs vertical - left (1pc)</p>	<p>I2</p>  <p>Stairs vertical - right (1pc)</p>	<p>J</p>  <p>Stairs bar - right (3pcs)</p>	<p>S</p>  <p>Slats (20pcs)</p>

BOX 1: WF311146

<p>D1</p>  <p>Horizontal rail - bottom (4pcs)</p>	<p>G1</p>  <p>Roof slant right - front (2pcs)</p>	<p>G2</p>  <p>Roof slant right - back (2pcs)</p>	<p>H</p>  <p>Top panel (6pcs)</p>
<p>K1</p>  <p>Door panel - left (1pc)</p>	<p>K2</p>  <p>Door panel - right (1pc)</p>	<p>L</p>  <p>Shelf panel (2pcs)</p>	<p>M</p>  <p>Support shelf panel (4pcs)</p>
<p>N</p>  <p>Vertical rail (1pc)</p>			

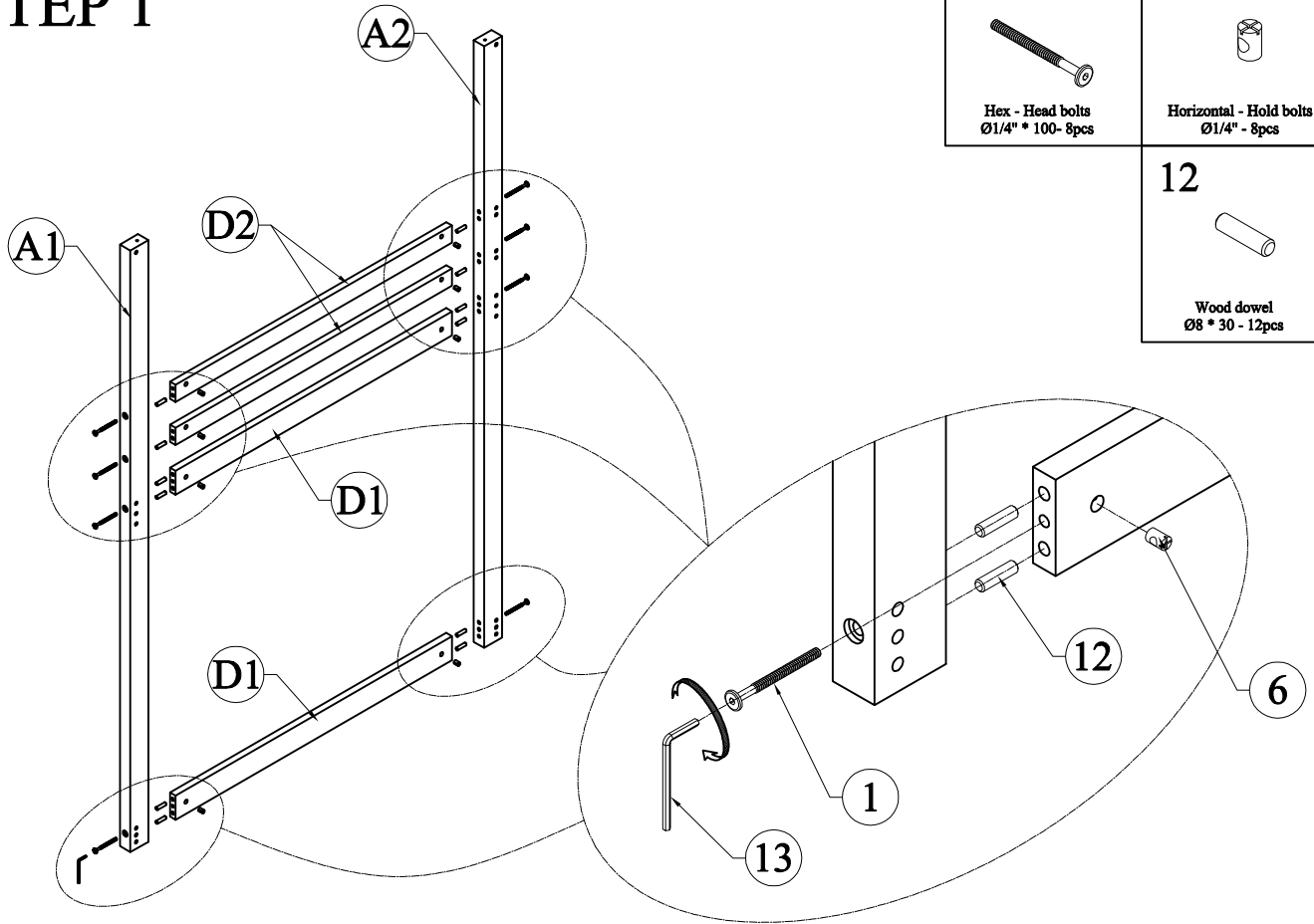
HARDWARE LIST: WF311145

<p>1</p>  <p>Hex - Head bolts Ø1/4" * 100 - 16pcs</p>	<p>2</p>  <p>Hex - Head bolts Ø1/4" * 80- 24pcs</p>	<p>3</p>  <p>Hex - Head bolts Ø1/4" * 25 - 3pcs</p>	<p>4</p>  <p>Hex - Head bolts Ø1/4" * 20 - 12pcs</p>
<p>5</p>  <p>Canopy head though Ø1/4" - 15pcs</p>	<p>6</p>  <p>Horizontal - Hold bolts Ø1/4" - 40pcs</p>	<p>7</p>  <p>Hexagonal bolts catch wood Ø6 * 100 - 2pcs</p>	<p>8</p>  <p>Hexagonal bolts catch wood Ø6 * 90 - 4pcs</p>
<p>9</p>  <p>Hexagonal bolts catch wood Ø6 * 80 - 2pcs</p>	<p>10</p>  <p>Hexagonal bolts catch wood Ø6 * 50 - 6pcs</p>	<p>11</p>  <p>Hexagonal bolts catch wood Ø6 * 30 - 8pcs</p>	<p>12</p>  <p>Wood dowel Ø8 * 30 - 54pcs</p>
<p>13</p>  <p>Allen key K4 - 2pcs</p>	<p>14</p>  <p>Patt U (2pcs)</p>	<p>15</p>  <p>Wood crews M4 * 25 - 44pcs</p>	<p>16</p>  <p>Round wood crews M3.5 * 15 - 38pcs</p>



Assembly Tools Required (Not Included)

STEP 1

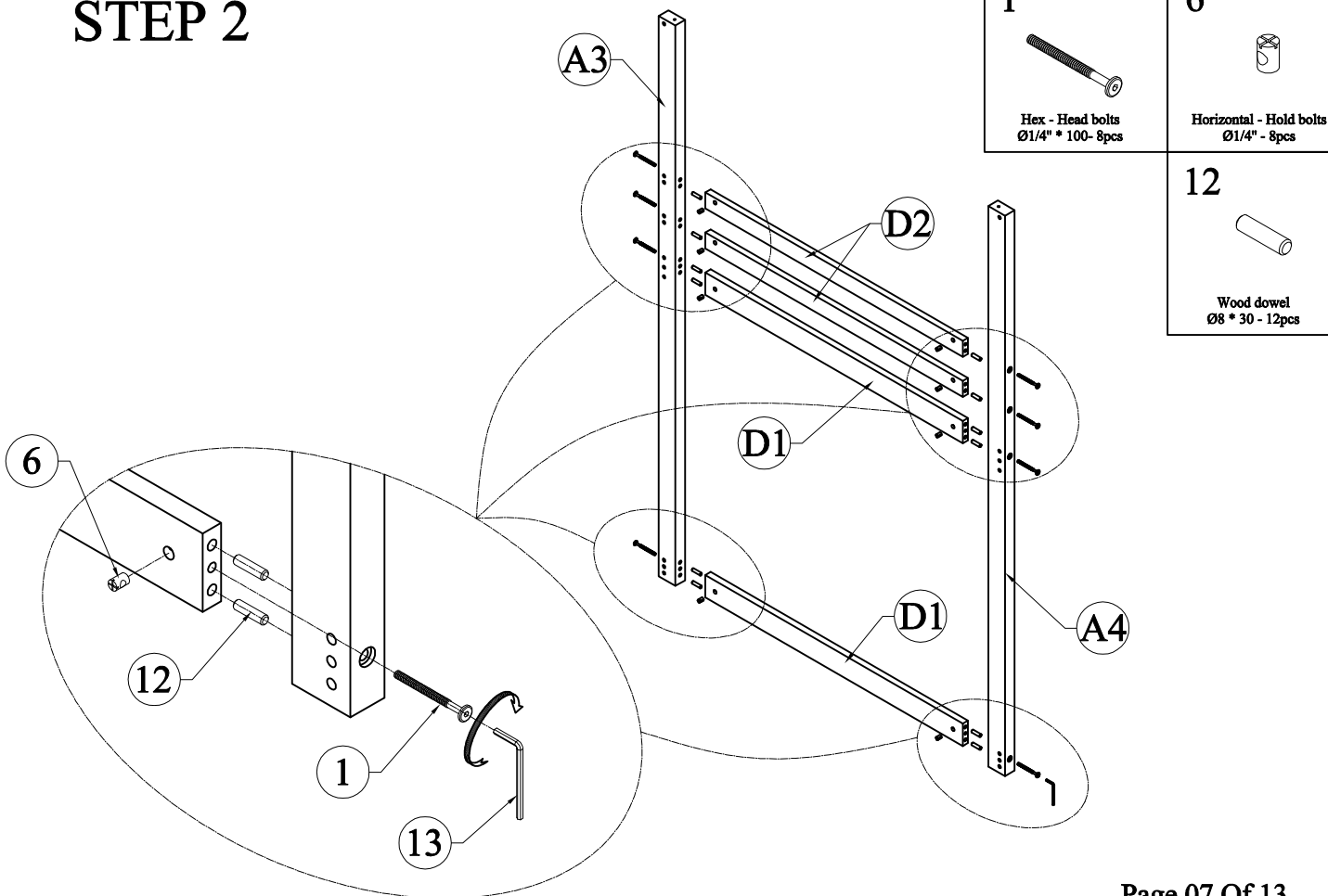


1
Hex - Head bolts
Ø1/4" * 100- 8pcs

6
Horizontal - Hold bolts
Ø1/4" - 8pcs

12
Wood dowel
Ø8 * 30 - 12pcs

STEP 2



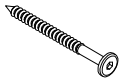
1
Hex - Head bolts
Ø1/4" * 100- 8pcs

6
Horizontal - Hold bolts
Ø1/4" - 8pcs

12
Wood dowel
Ø8 * 30 - 12pcs

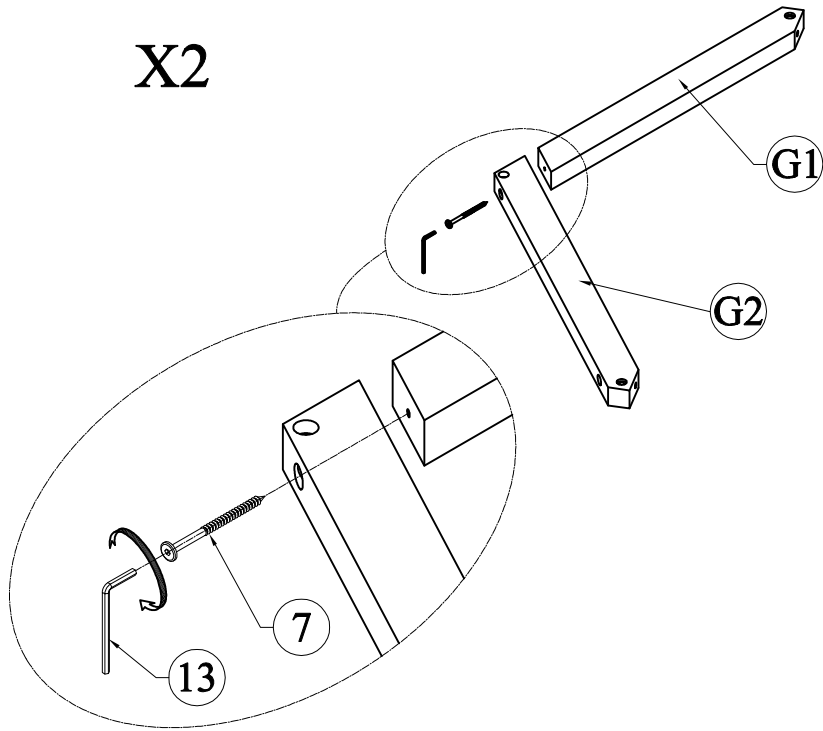
STEP 3

7



Hexagonal bolts catch wood
Ø6 * 100 - 2pcs

X2

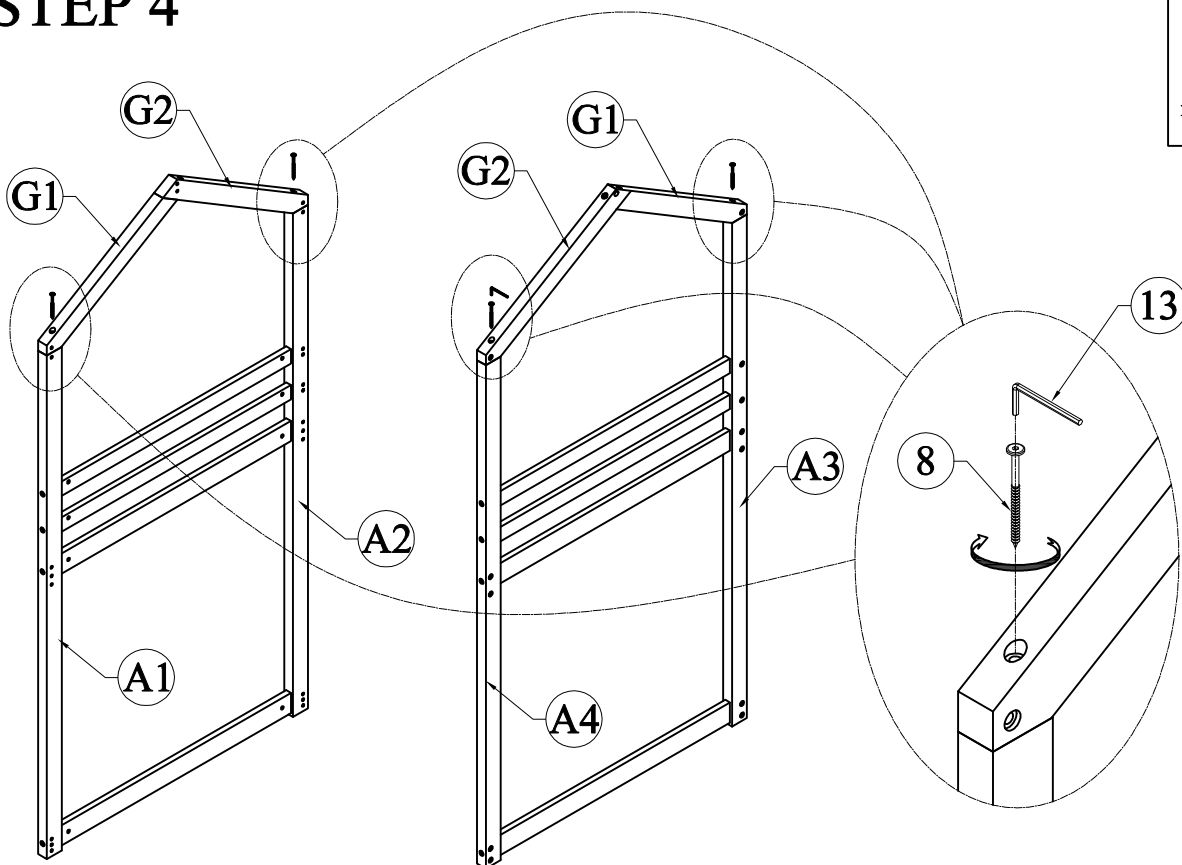


STEP 4

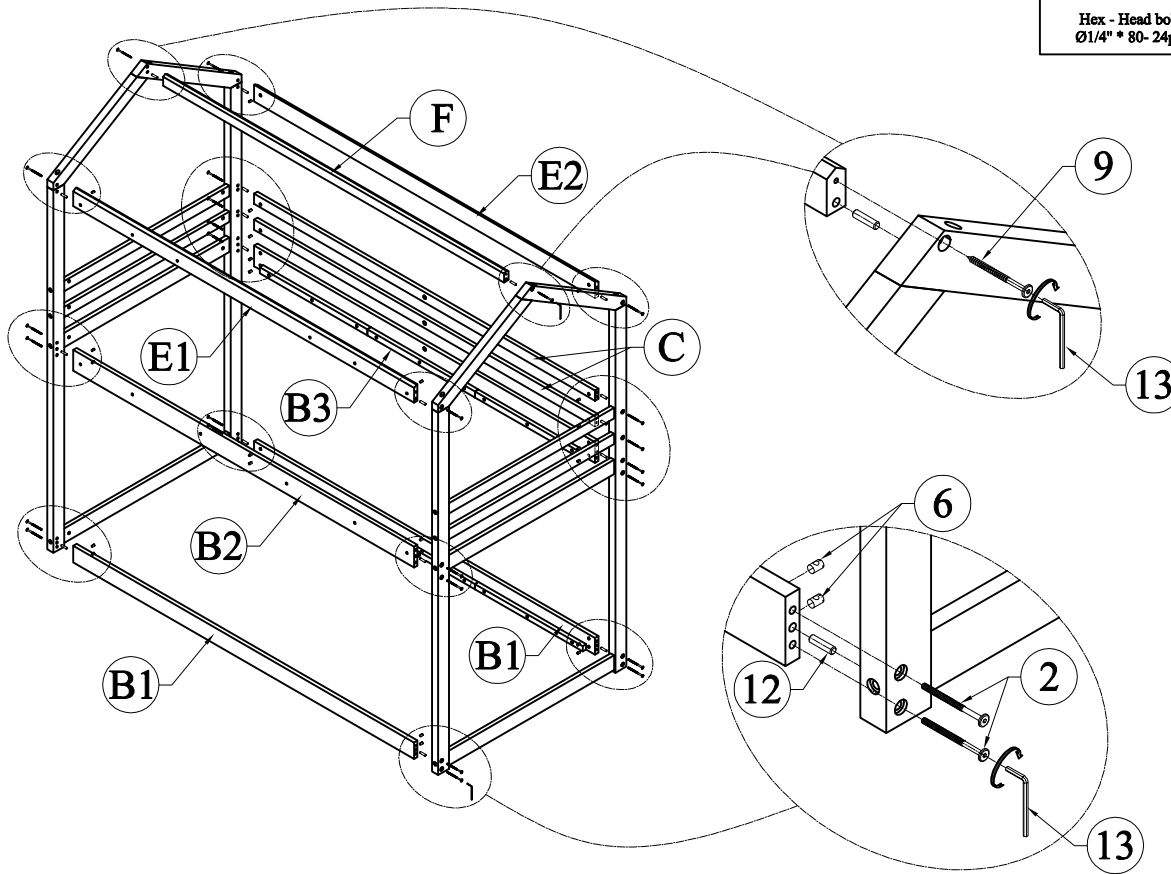
8

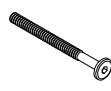





Hexagonal bolts catch wood
Ø6 * 90 - 4pcs

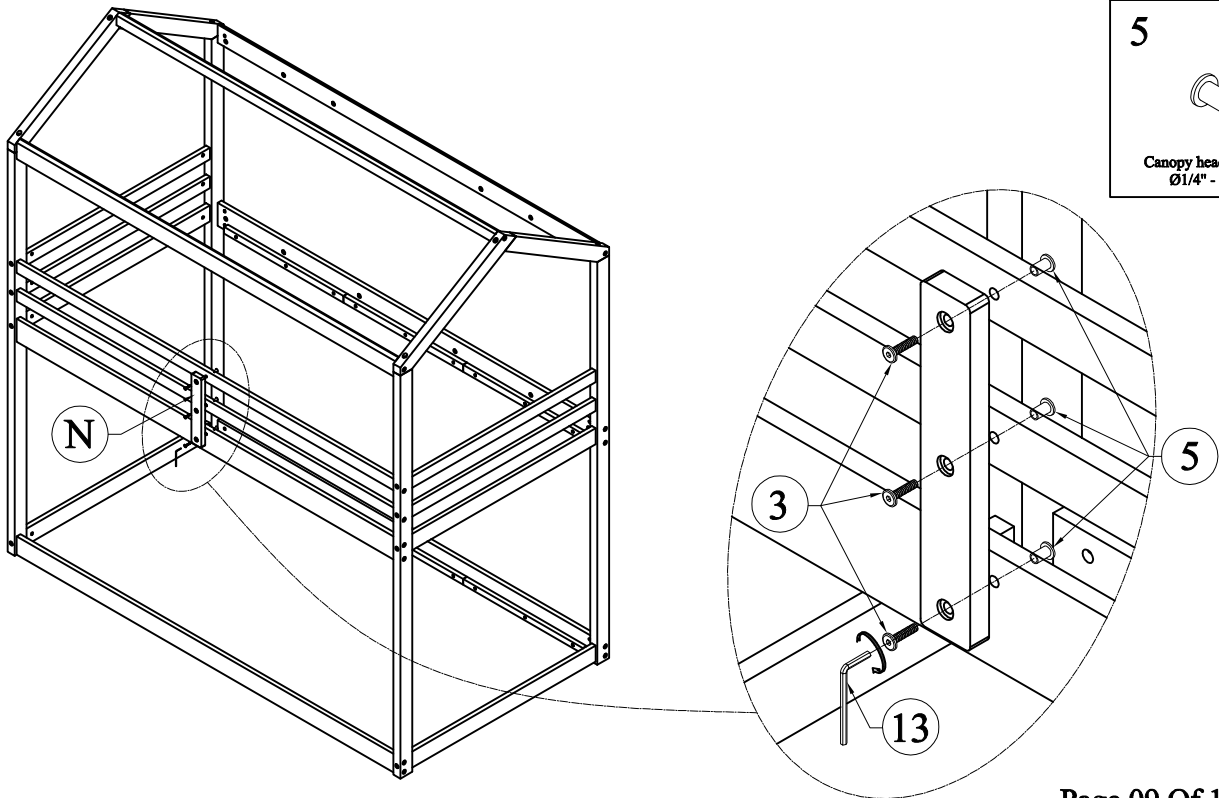




STEP 5



- | | |
|--|--|
| <p>2</p>  <p>Hex - Head bolts
Ø1/4" * 80 - 24pcs</p> | <p>9</p>  <p>Hexagonal bolts catch wood
Ø6 * 80 - 2pcs</p> |
| <p>6</p>  <p>Horizontal - Hold bolts
Ø1/4" - 24pcs</p> | |
| <p>12</p>  <p>Wood dowel
Ø8 * 30 - 18pcs</p> | |

STEP 6



- | |
|---|
| <p>3</p>  <p>Hex - Head bolts
Ø1/4" * 25 - 3pcs</p> |
| <p>5</p>  <p>Canopy head through
Ø1/4" - 3pcs</p> |

STEP 7

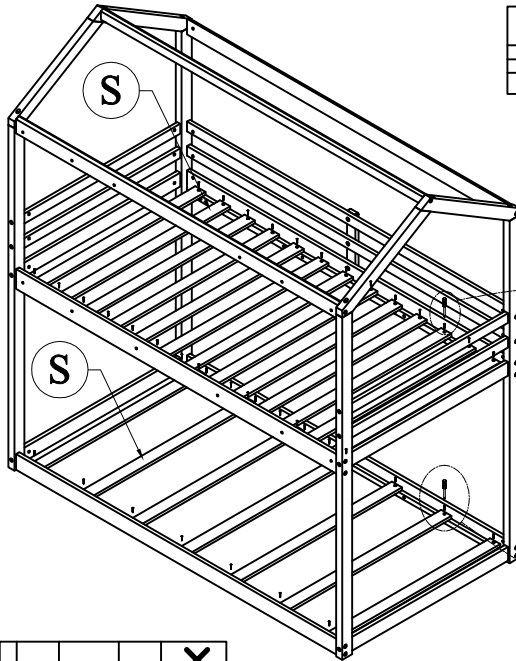
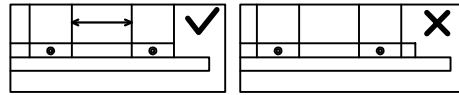
Upper bed the distance between the slats is 3-3/8 inch
Lower bed the distance between the slats is 9-1/16 inch

15



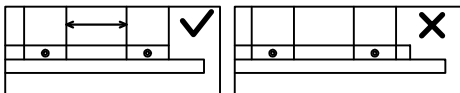
Wood screws
M4 * 25 - 40pcs

3-3/8"



Note: Do not lock the screws of the bed slats to be outmost edge the bed slats, you need to leave a certain space at the edges, ortherwise it will cause the board to break

9-1/16"



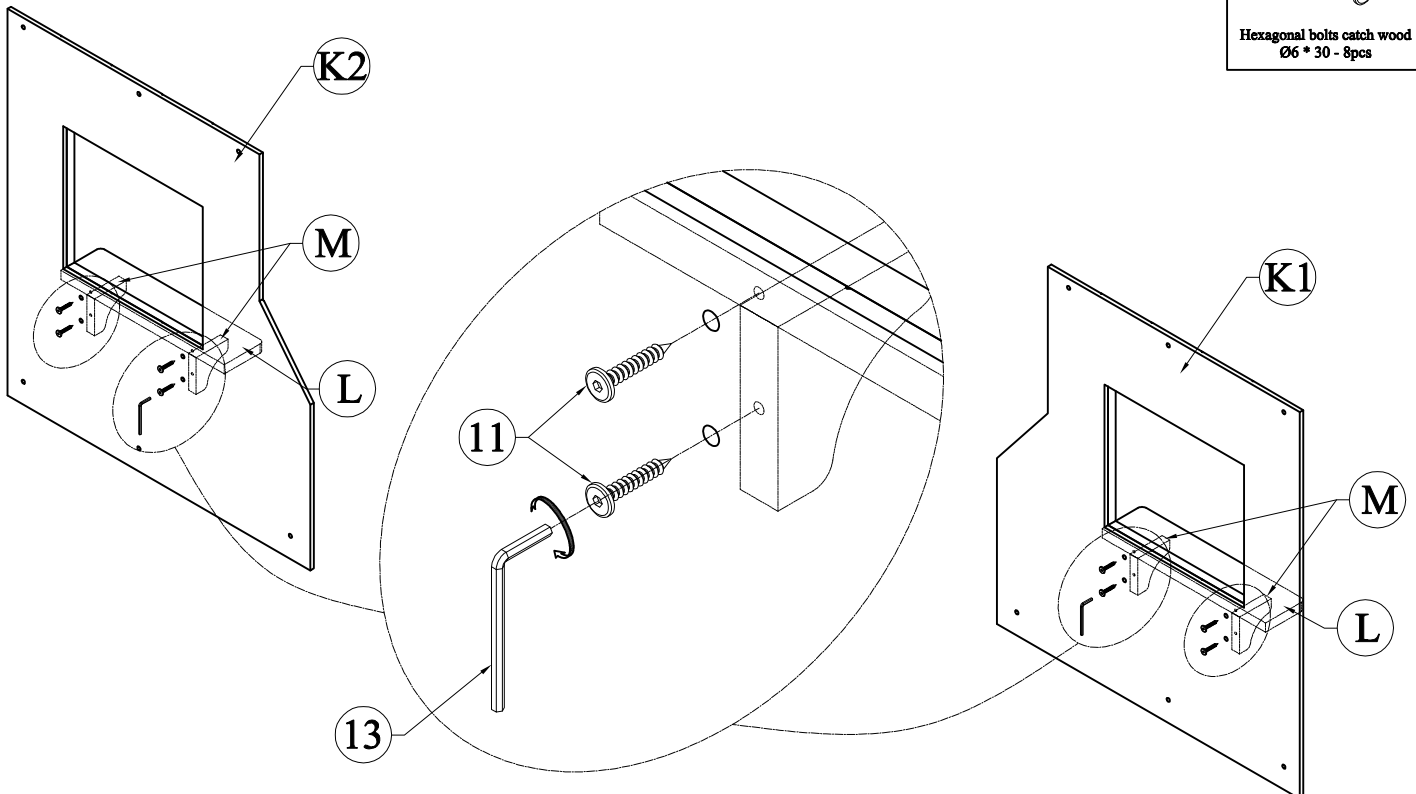
Note: Do not lock the screws of the bed slats to be outmost edge the bed slats, you need to leave a certain space at the edges, ortherwise it will cause the board to break

STEP 8

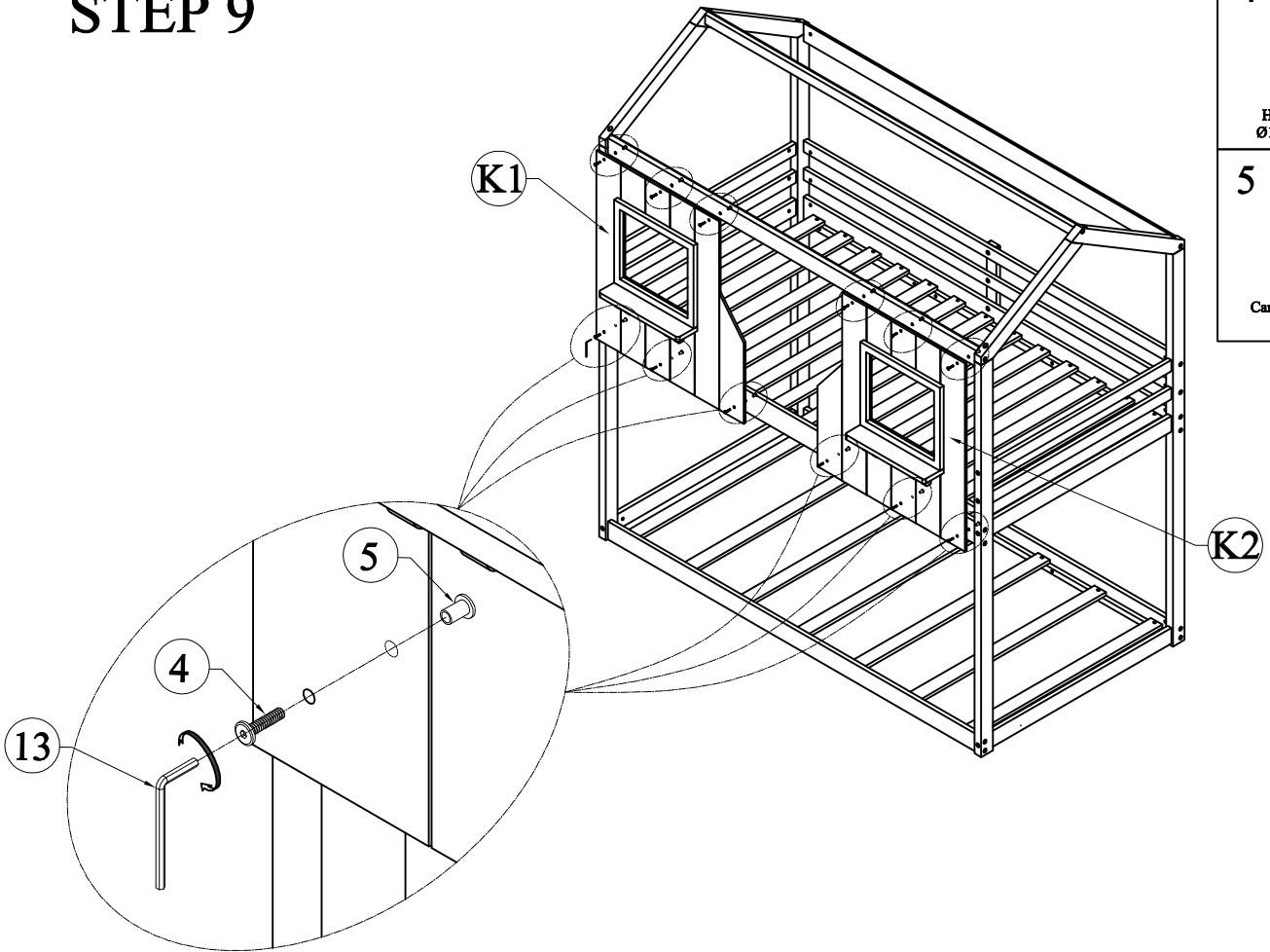
11



Hexagonal bolts catch wood
Ø6 * 30 - 8pcs



STEP 9



4



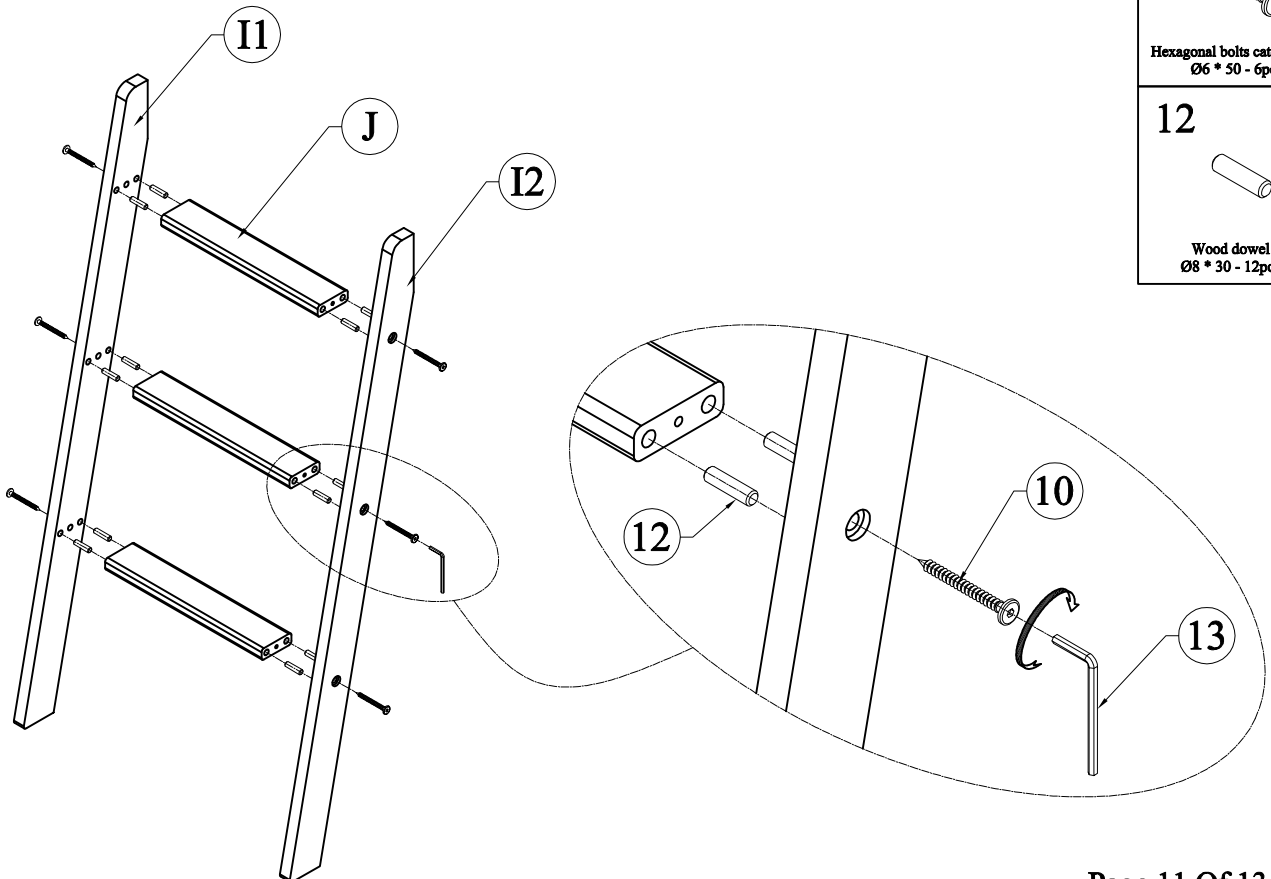
Hex - Head bolts
Ø1/4" * 20 - 12pcs

5



Canopy head through
Ø1/4" - 12pcs

STEP 10



10



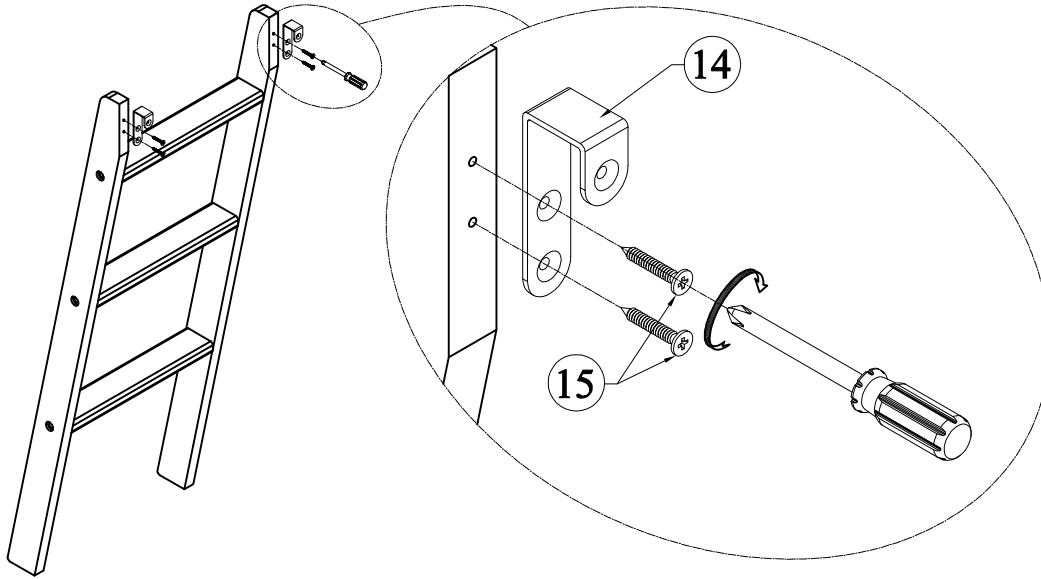
Hexagonal bolts catch wood
Ø6 * 50 - 6pcs

12

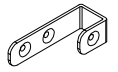


Wood dowel
Ø8 * 30 - 12pcs

STEP 11



14



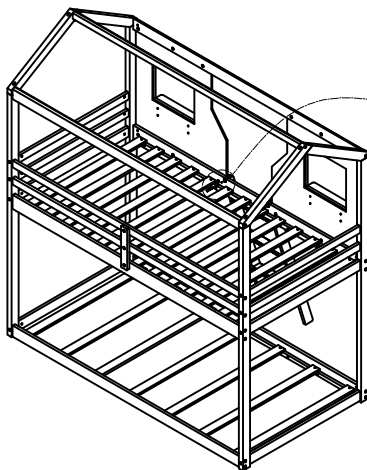
Part U (2pcs)

15



Wood crews
M4 * 25 - 4pcs

STEP 12

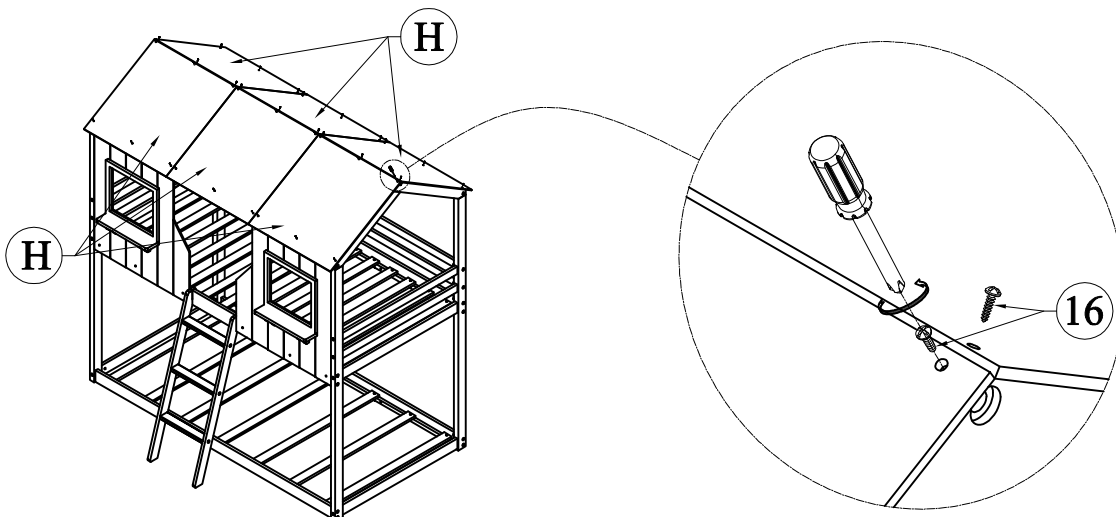


16



Round wood crews
M3.5 * 15 - 2pcs

STEP 13



16



Round wood crews
M3.5 * 15 - 36pcs

COMPLETED

