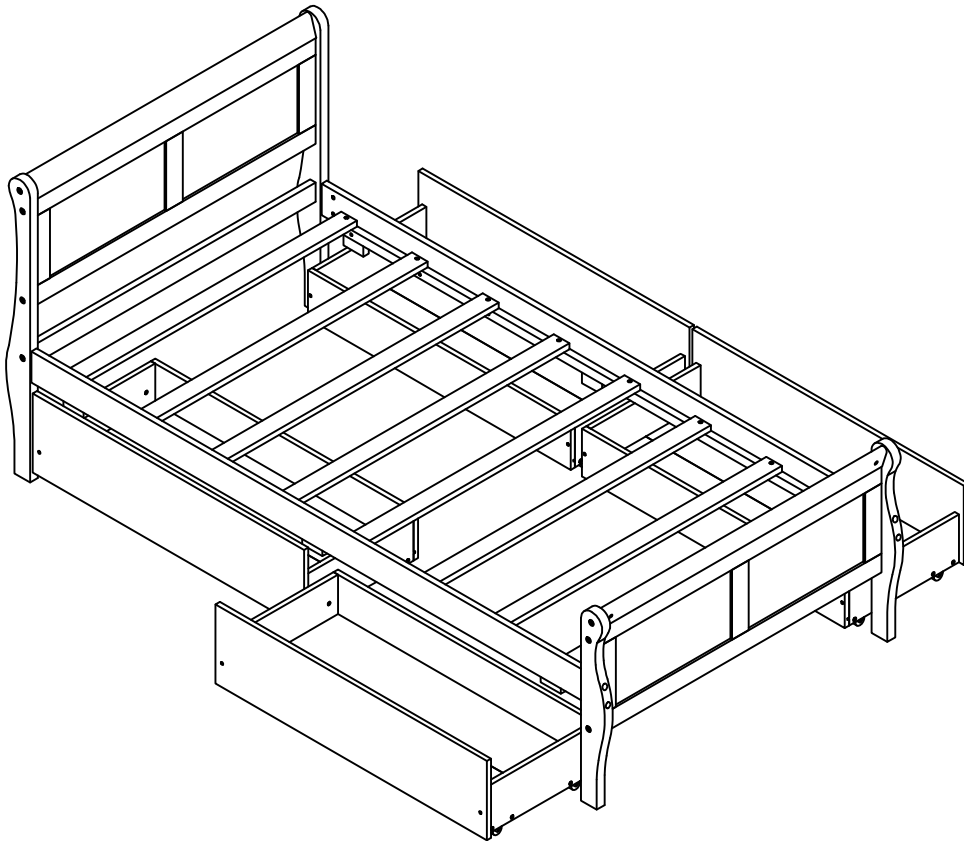


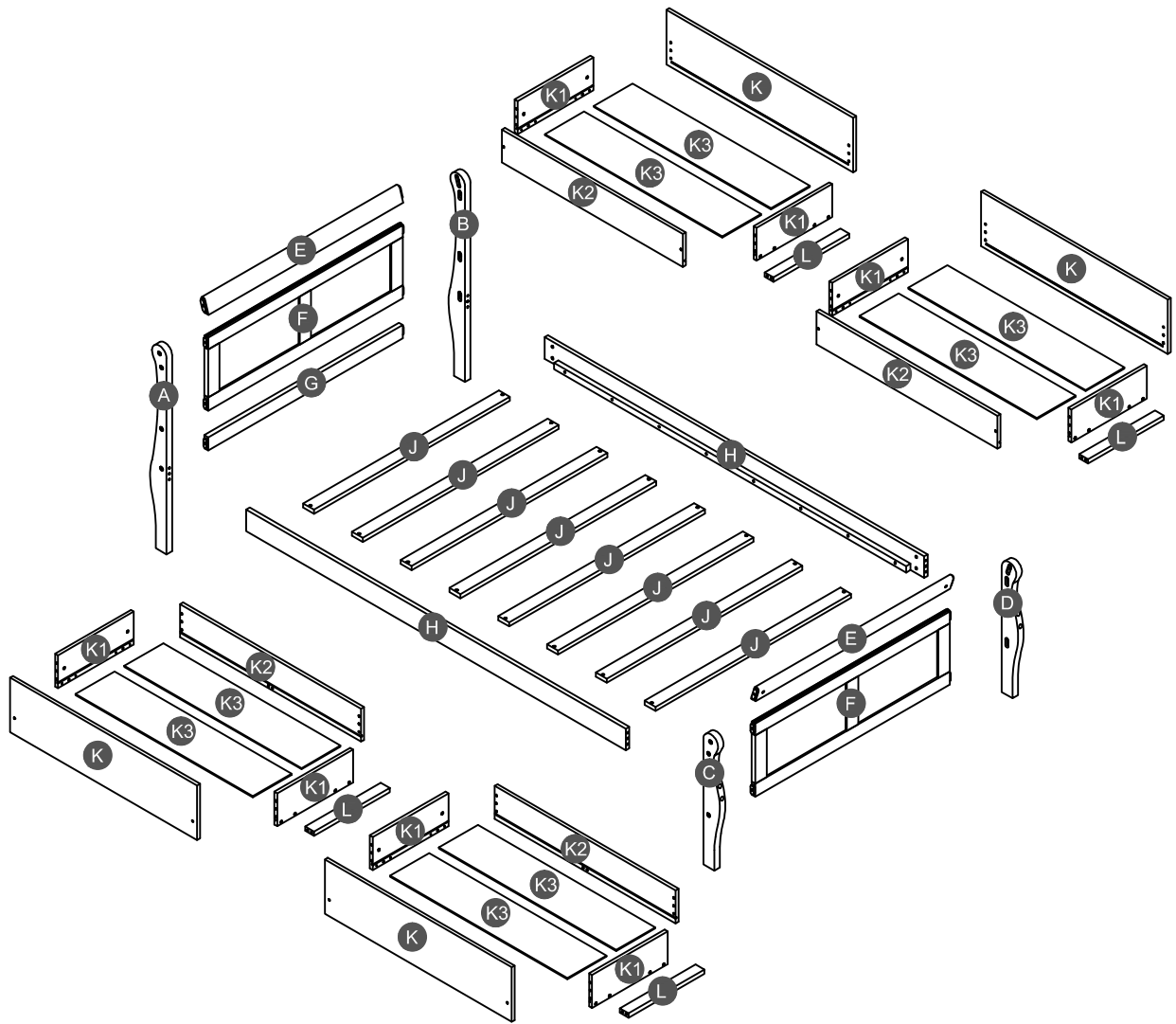
ASSEMBLY INSTRUCTIONS

TWIN BED WITH 4 DRAWERS



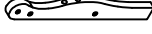
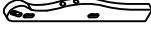
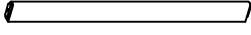
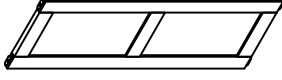
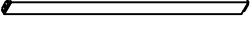
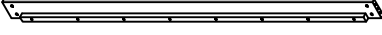

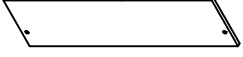
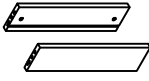

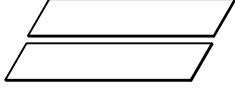
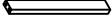


WF308630

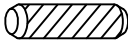
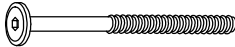
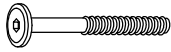
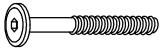


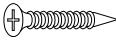
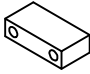
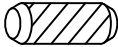
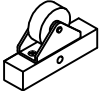
Detail View



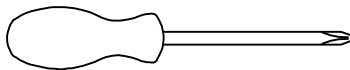
Part List

<p>A</p>  <p>Leg HB (Left Front) - 1pc</p>	<p>B</p>  <p>Leg HB (Left Back) - 1pc</p>	<p>C</p>  <p>Leg FB (Right Front) - 1pc</p>
<p>D</p>  <p>Leg FB (Right Back) - 1pc</p>	<p>E</p>  <p>Upper horizontal bar HB/FB - 2pcs</p>	<p>F</p>  <p>Frame HB/FB - 2pcs</p>
<p>G</p>  <p>Lower horizontal bar HB - 1pc</p>	<p>H</p>  <p>Side rail - 2pcs</p>	<p>J</p>  <p>Slat - 8pcs</p>
<p>K</p>  <p>Front drawer panel - 4pcs</p>	<p>K1</p>  <p>Left / right drawer panel - 8pcs</p>	<p>K2</p>  <p>Back drawer panel - 4pcs</p>
<p>K3</p>  <p>Drawer bottom - 8pcs</p>	<p>L</p>  <p>Support drawer - 4pcs</p>	

Hardware List



1  Ø8*30mm Wood dowel (52pcs)	2  (Ø15)1/4"*100mm Hex-Head bolts (8pcs)	3  (Ø15)1/4"*80mm Hex-Head bolts (14pcs)
4  (Ø12)1/4"*60mm Hex-Head bolts (16pcs)	5  (1/4")4.5*100mm Allen key (1pc)	6  1/4"*15 (9.5mm) Horizontal-Hole bolts(38pcs)
7  Ø4*30mm Wood screws (60pcs)	8  70*35*19 mm Drawer stopper (6pcs)	9  Ø10*20mm Wood dowel (16pcs)
10  100*54*20 mm Wheels (16pcs)		

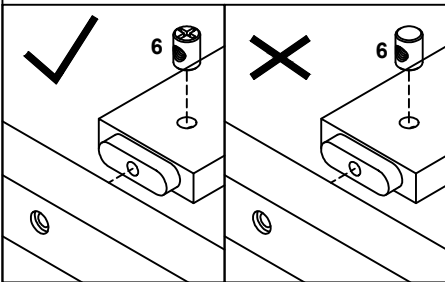
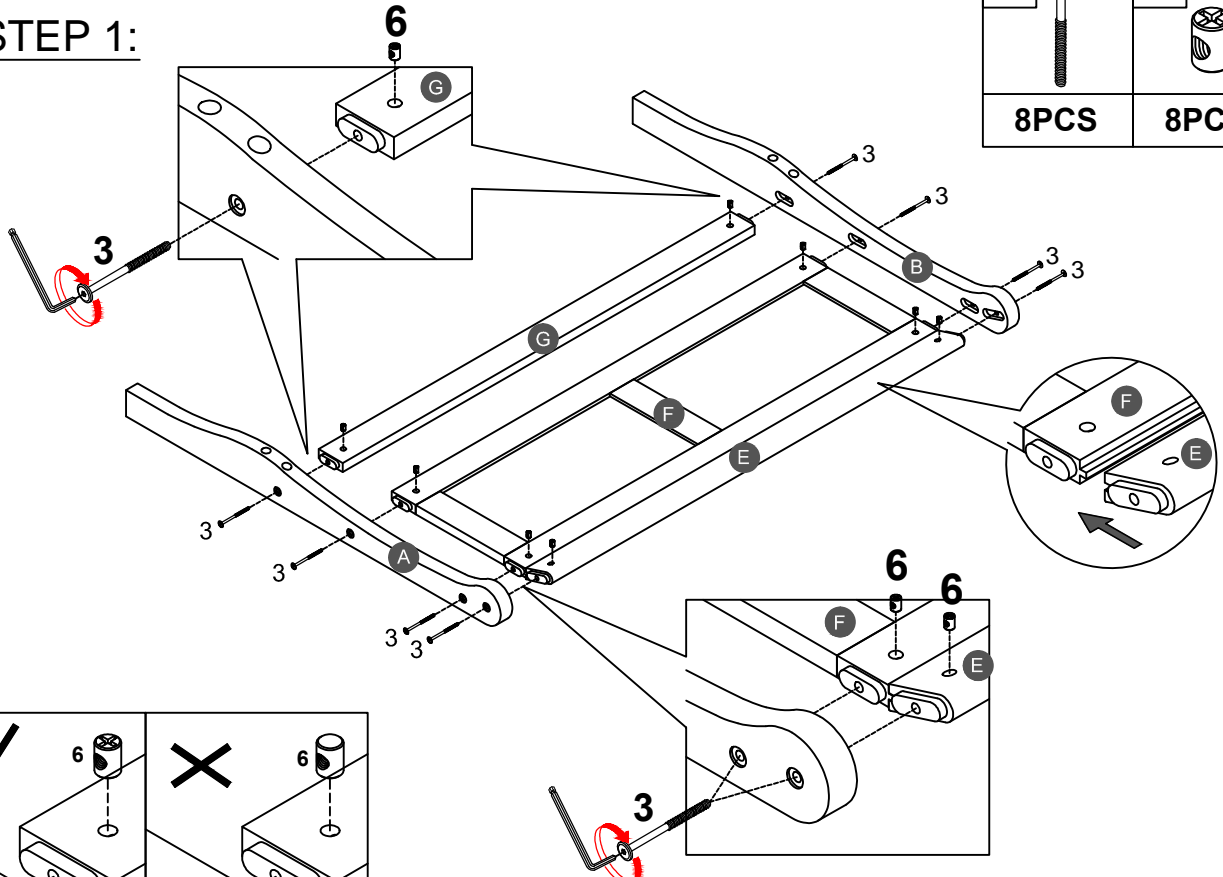
ASSEMBLY TOOLS REQUIRED (NOT INCLUDED)



PLEASE BE CAREFUL DO NOT DAMAGE THE HOLE POSITION WHEN YOU USE POWER TOOLS !



STEP 1:

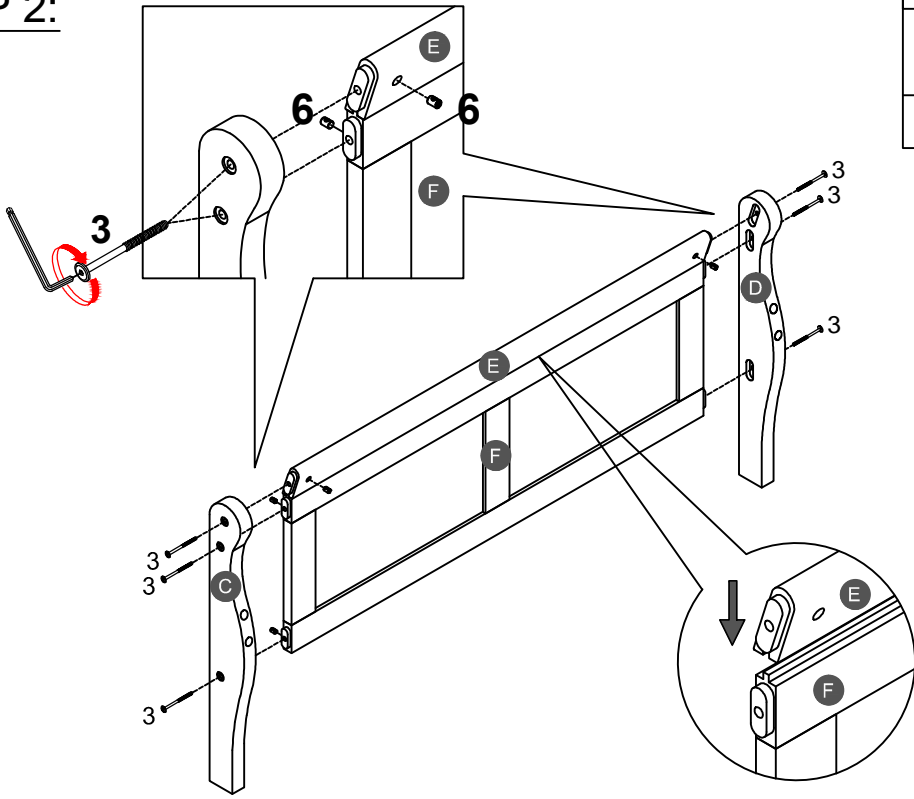
3		6	
8PCS		8PCS	




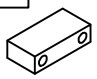
Note: Part 6 will face up with the "x" mark on it, otherwise it cannot be tightened

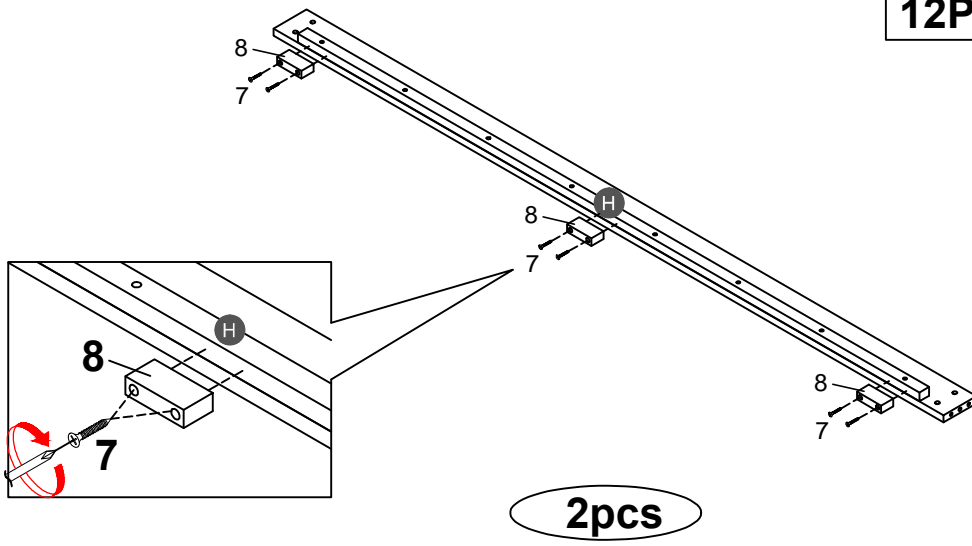
STEP 2:

3		6	
6PCS		6PCS	



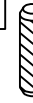


STEP 3:

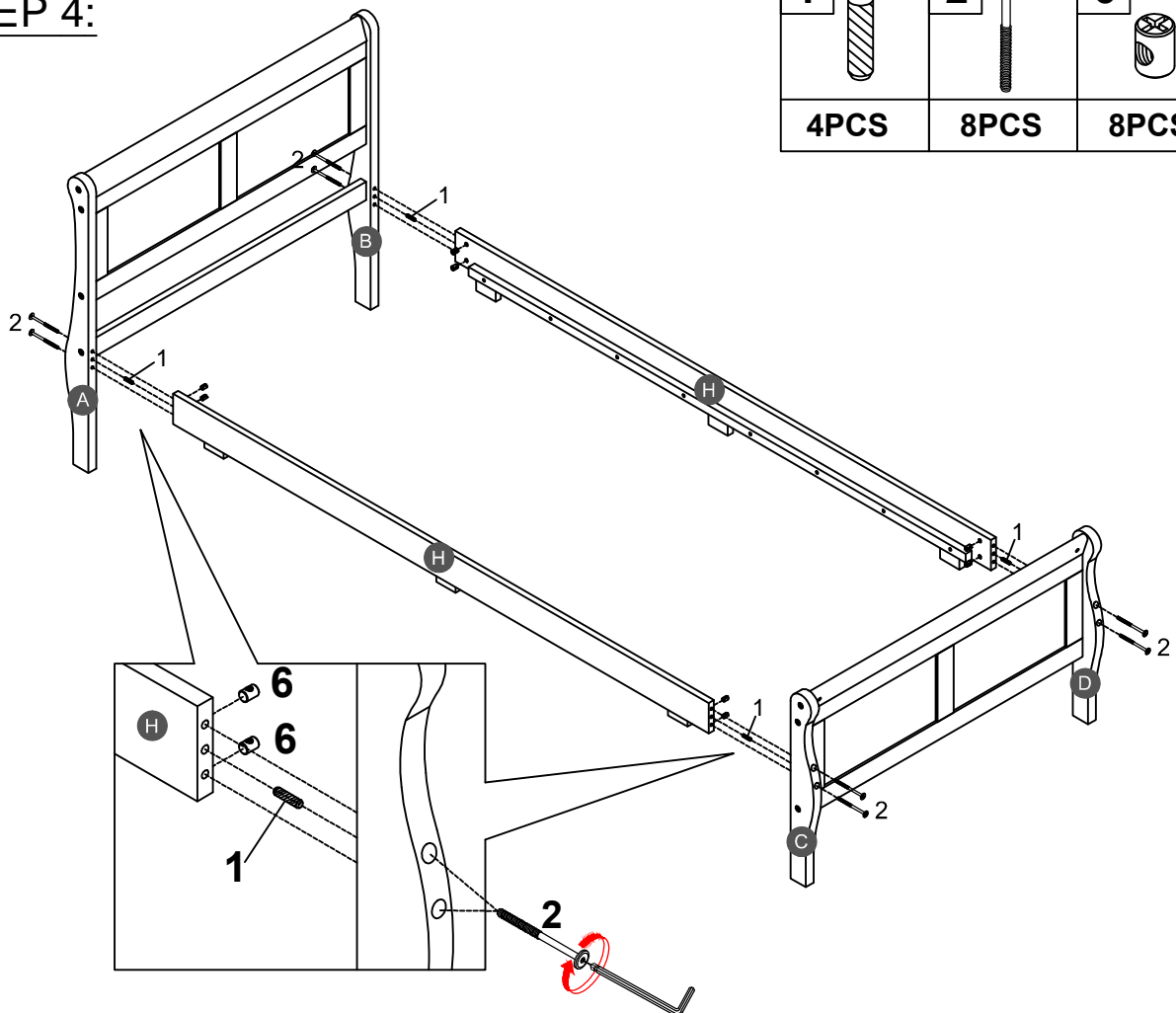
7		8	
12PCS		6PCS	



Drawer stopper (8) with lower side rail (H) by using screw (7).

STEP 4:

1		2		6	
4PCS		8PCS		8PCS	

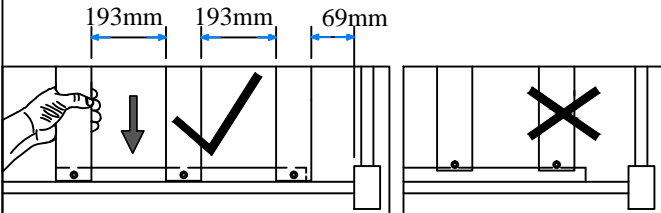
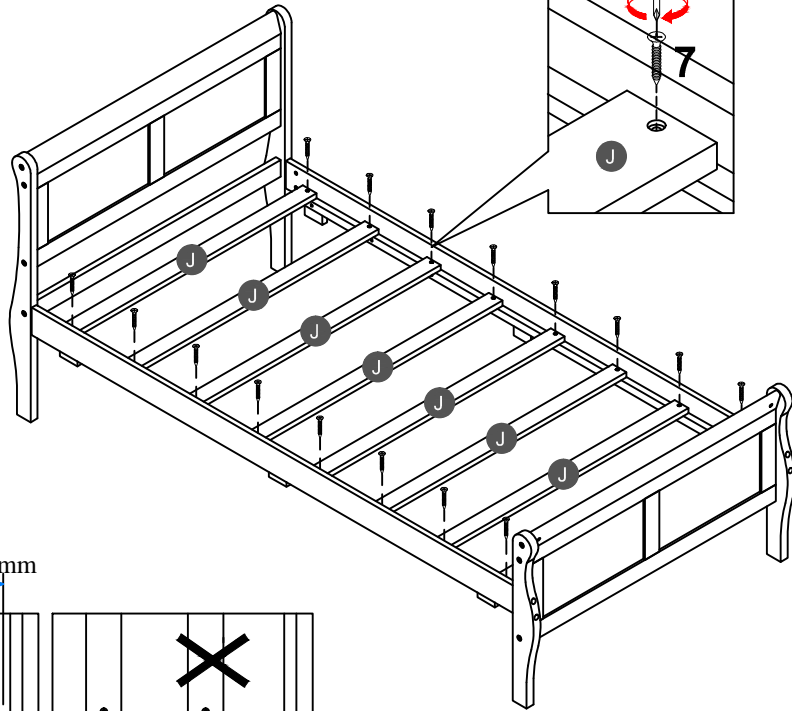


STEP 5:

7



16PCS



Note: Do not lock the screws of the bed slats to the outermost edge of the bed slats, you need to leave a certain space at the edges, otherwise it will cause the board to break. Do not lock the bed slats on the edge of the wood, please hold firmly before screwing, hold it in place with one hand, then lock the screw.

STEP 6:

1



16PCS

4

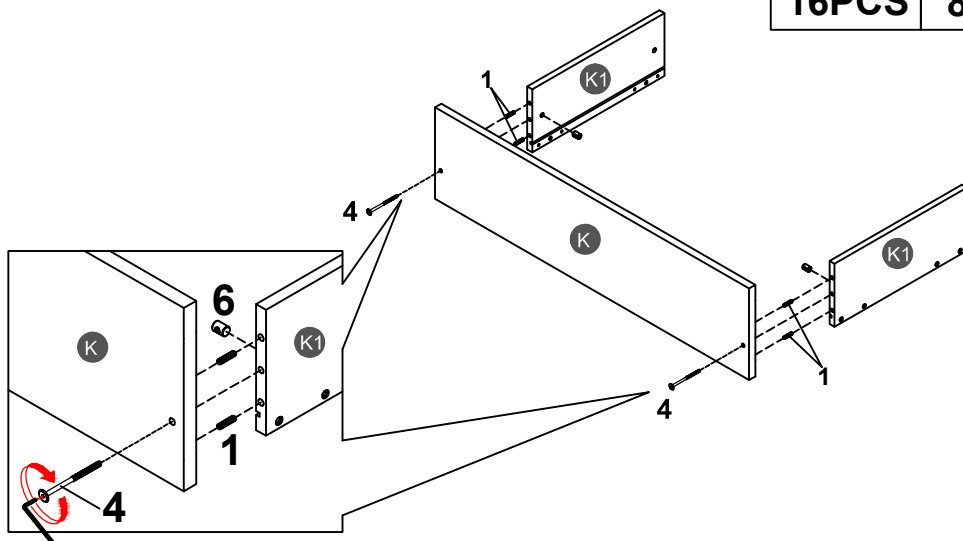


8PCS

6






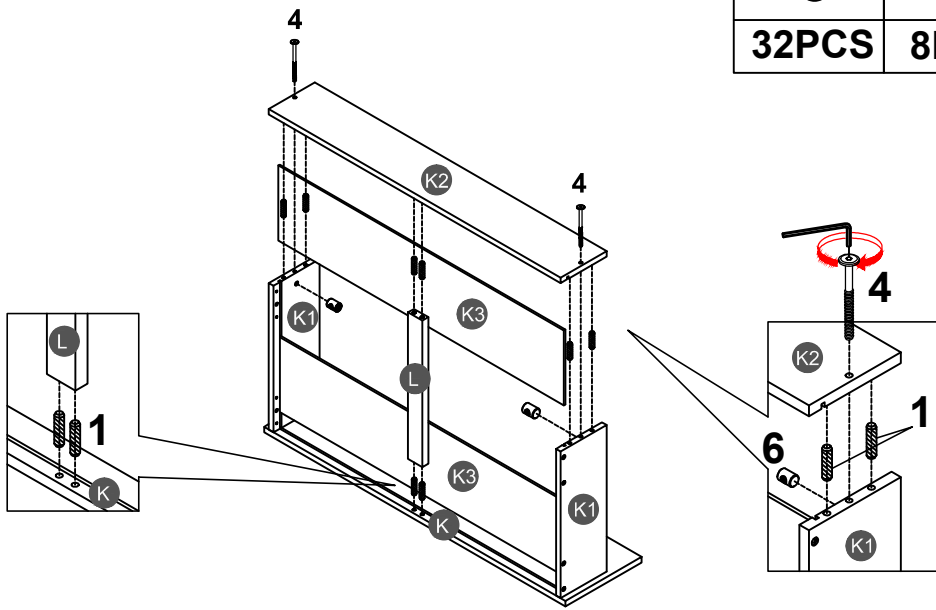
8PCS



4pcs




STEP 7:

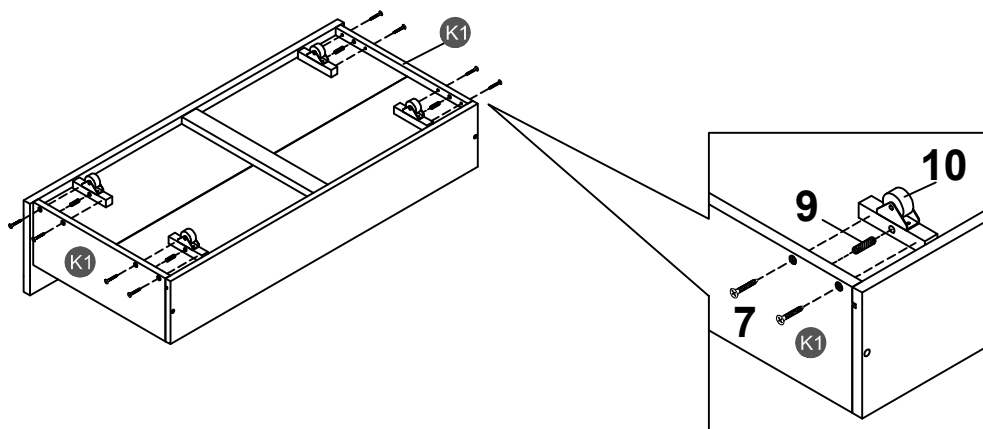
1		4		6	
32PCS		8PCS		8PCS	



4pcs

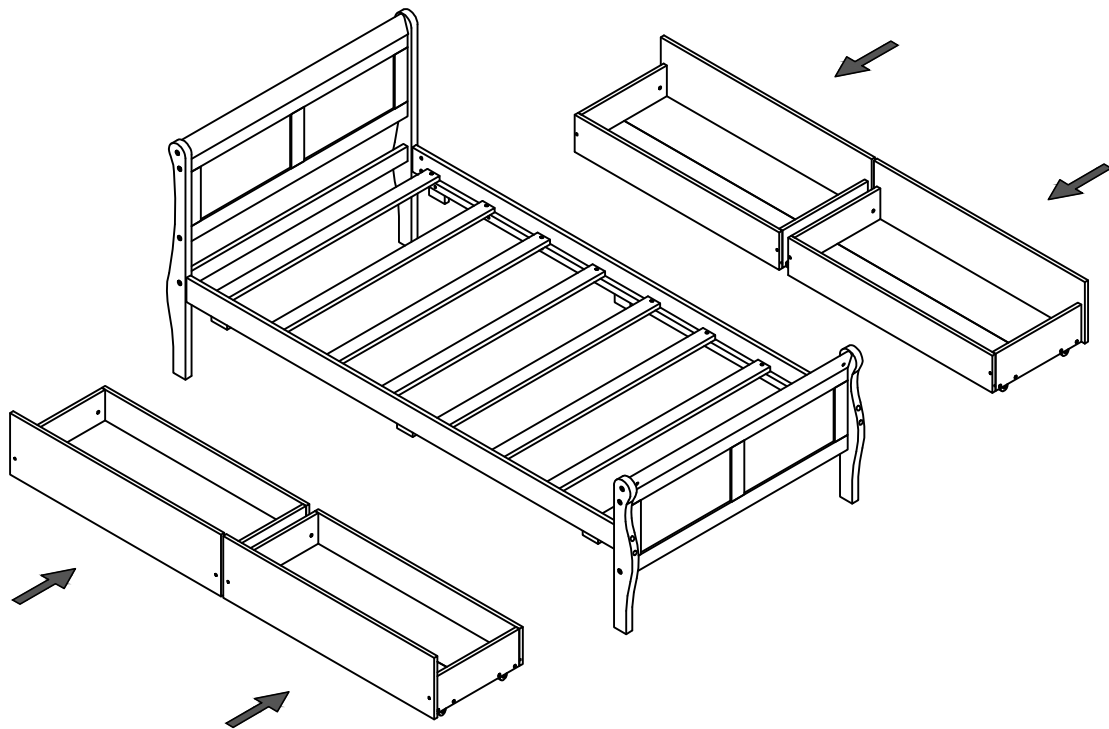
STEP 8:

7		9		10	
32PCS		16PCS		16PCS	

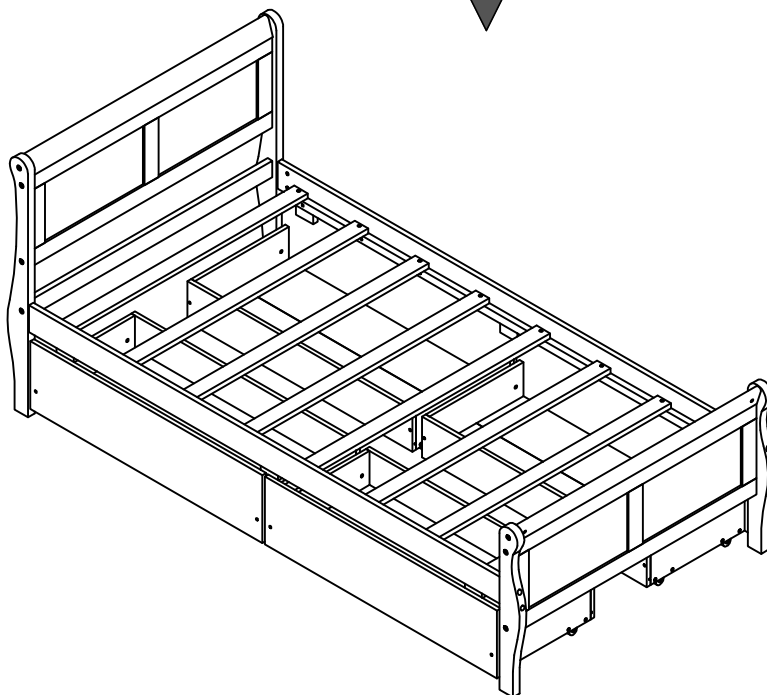


4pcs

STEP 9:



Push Drawer under the bottom of Bunk bed.



Make sure to tighten all the screws of the bed.