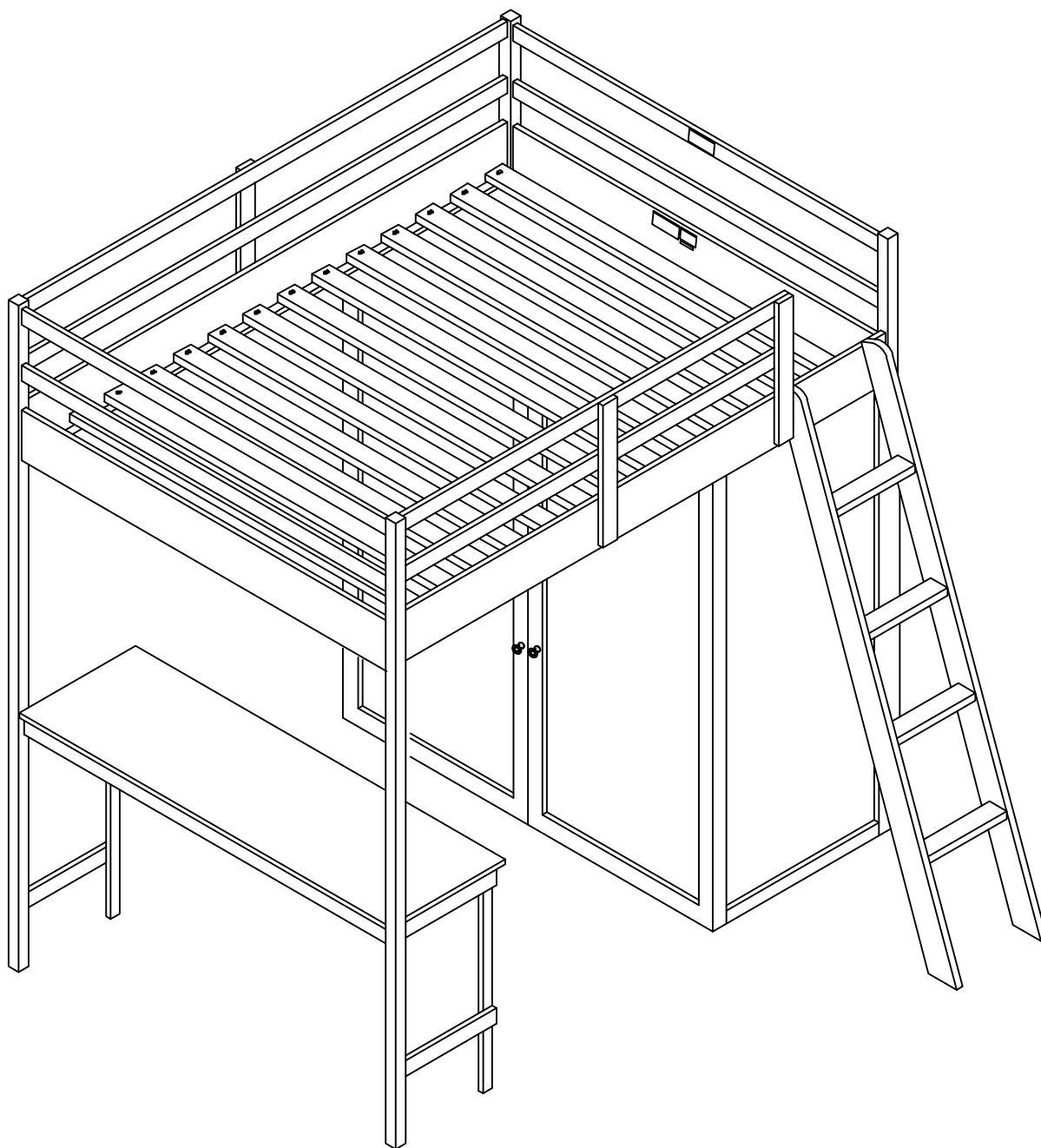


ASSEMBLY INSTRUCTIONS

TWIN LOFT BUNK BED



WF307714/WF307715



SAFETY WARNING



1. This bed is designed for use only mattress (es) meeting the following specifications on the upper bunk, and lower bunk:

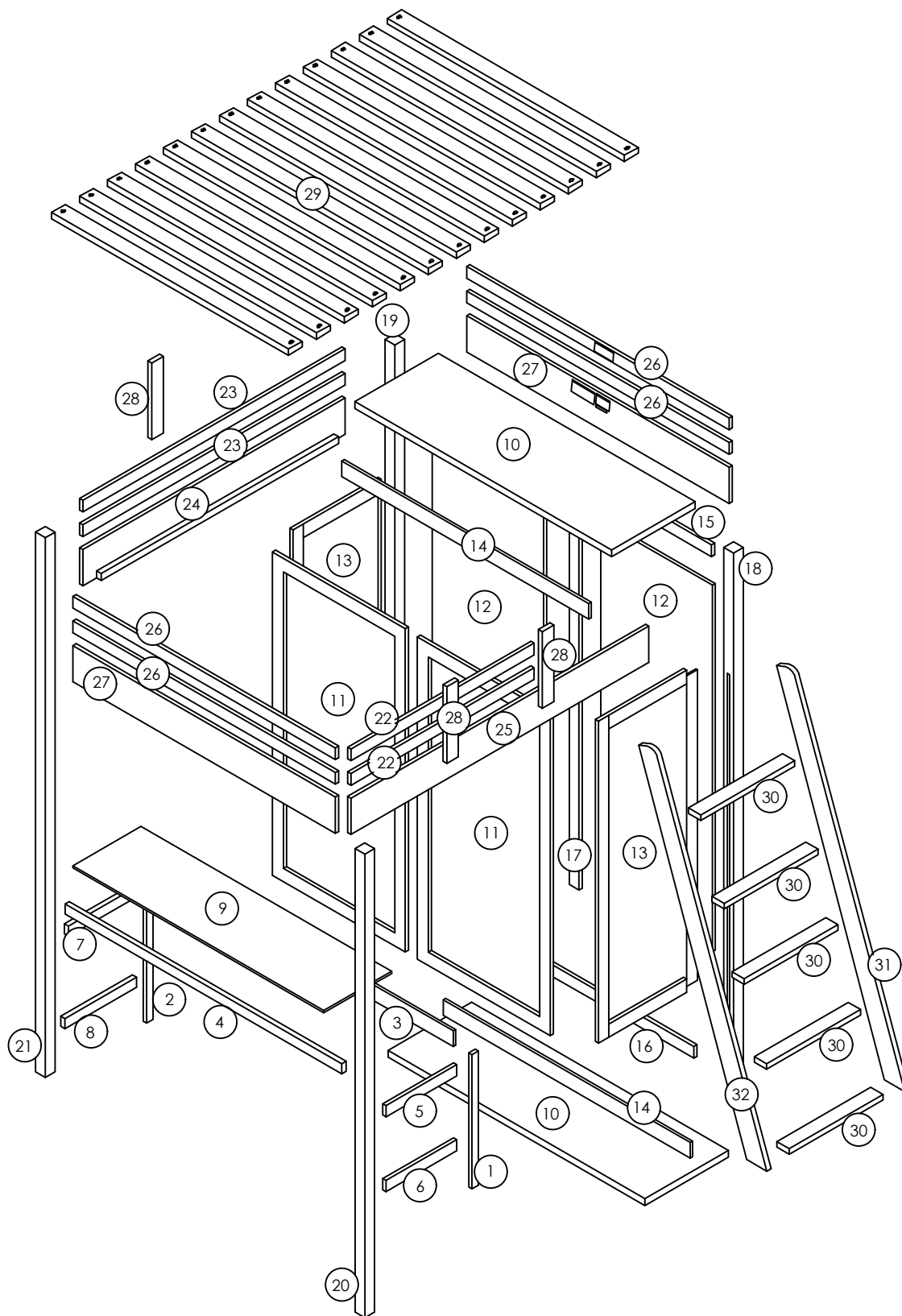
Upper bunk (Bunk bed and tribed included)

Bed type	Length	Width	Thickness
Twin Standard	74"-75"	37 1/2"-38 1/2"	6"

2. Replacement parts, including additional guardrails, maybe obtained from any of our (GIGACLOUD TECHNOLOGY (USA) INC . 18961 ARENTH AVENUE, CITY OF INDUSTRY , CA, 91748.) dealers
3. Follow the information on the warnings appearing on the upper bunk bed end structure and on the carton. Do not remove warning label from bed.
4. Always use the recommended size mattresses or mattress supports, or both, to help prevent the likelihood of entrapment or falls.
5. Surface of mattress must be at least 5" (127mm) below the upper edge of guardrails.
6. Do not allow children under 6 years of age to use the upper bunk.
7. Periodically check and ensure that the guardrail, ladder, and other components are in their proper position, free from damage, and that all connectors are tight.
8. Do not allow horseplay on or under the bed and prohibit jumping on the bed.
9. Always use the ladder for entering and leaving the upper bunk.
10. Do not use substitute part. Contact the manufacture or dealer for replacement part.
11. Use of a night light may provide added safety precaution for a child using the upper bunk.
12. Always use guardrails on both long sides of the upper bunk. If the bunk bed will be placed next to the wall, the guardrail that runs the full length of the bed should be placed against the wall to prevent entrapment between the bed and wall.
13. The use of water or sleep flotation mattresses is prohibited.
14. STRANGULATION HAZARD - Never attach or hang items to any part of the bunk bed that are not designed for use with the bed; for example, but not limited to, hook, belts and jump ropes.
15. Keep these instruction for future reference.
16. Prohibit more than one person on upper bunk
17. We recommend assembling your bunk bed on the shipping carton to protect your floor or carpet
18. Be certain all staples are out of the box before beginning assembly on the shipping carton

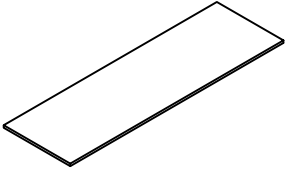
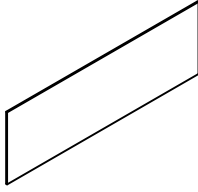
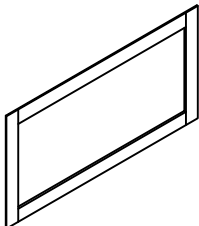
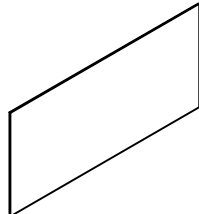
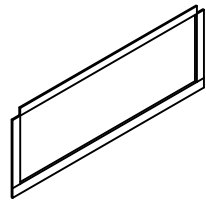
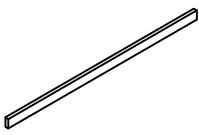
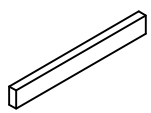
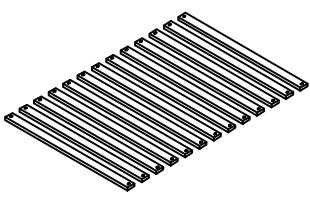
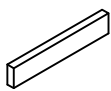
ASSEMBLY INSTRUCTIONS

TWIN LOFT BUNK BED

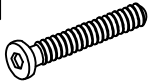
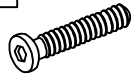


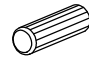
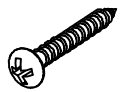


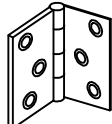
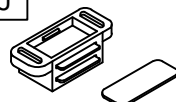
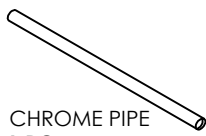
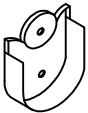
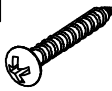
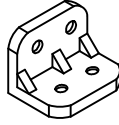
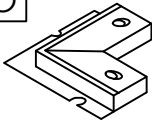

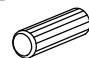
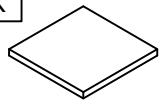

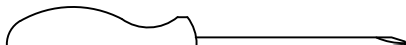


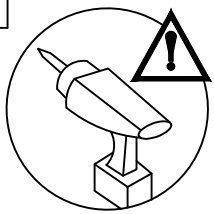
WF307714/WF307715

Part List - WF307714

<p>9</p>  <p>DESK = 1 PC (MDF)</p>	<p>10</p>  <p>TOP/BOTTOM PANEL = 2 PCS</p>	<p>11</p>  <p>DOOR PANEL = 2 PCS (MDF)</p>
<p>12</p>  <p>BACK PANEL = 2 PCS</p>	<p>13</p>  <p>SIDE PANEL = 2 PCS</p>	<p>17</p>  <p>BACK PANEL JOINER = 1 PC</p>
<p>28</p>  <p>HORIZONTAL SAFETY RAILS SUPPORT = 3 PCS</p>	<p>29</p>  <p>LVL BED SLAT = 13 PCS</p>	<p>30</p>  <p>STEP LADDER = 5 PCS</p>



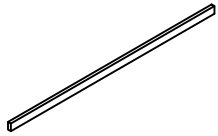
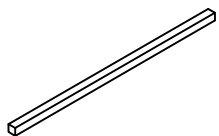
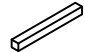
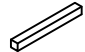
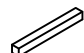
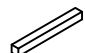
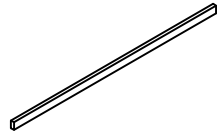
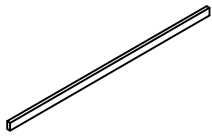
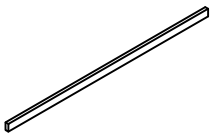
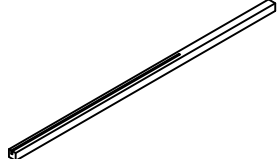
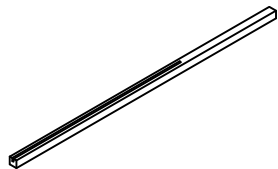
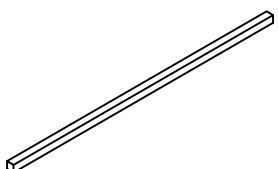
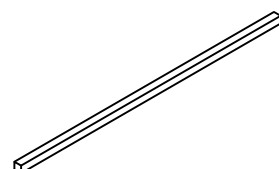
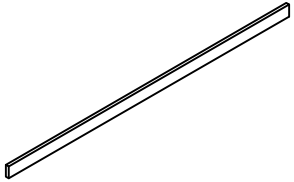
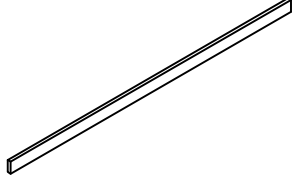
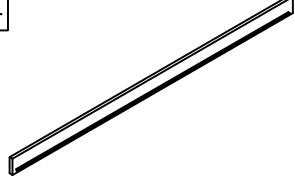
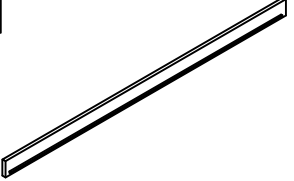
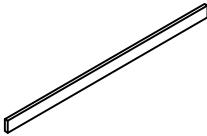
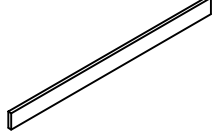
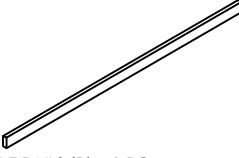
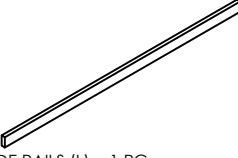
Hardware List - WF307715

<p>A</p>  <p>JCBC BOLT M6 x 90mm 32 pcs</p>	<p>B</p>  <p>JCBC BOLT M6 x 55mm 38 pcs</p>	<p>C</p>  <p>JCBC BOLT M6 x 30mm 13 pcs</p>	<p>D</p>  <p>BARREL NUT M6 x 13mm 32 pcs</p>	<p>E</p>  <p>WOOD DOWEL M10 x 40mm 26 pcs</p>	<p>F</p>  <p>PAN HEAD SCREW M4 x 25mm 26 pcs</p>
<p>G</p>  <p>CSK SCREW M3.5 x 16mm 98 PCS</p>	<p>H</p>  <p>DOOR NOP 2 PCS</p>	<p>I</p>  <p>HINGES 4 PCS</p>	<p>J</p>  <p>MAGNET 4 PCS</p>	<p>K</p>  <p>CHROME PIPE 1 PC</p>	<p>L</p>  <p>CHROME PIPE HOOK 2 PCS</p>
<p>M</p>  <p>PAN HEAD SCREW M4 x 32mm 12 pcs</p>	<p>N</p>  <p>L-BRACKET 16 pcs</p>	<p>O</p>  <p>CORNER ARM 8 pcs</p>	<p>P</p>  <p>ALLEN KEY 1 pc</p>	<p>Q</p>  <p>WOOD DOWEL M8 x 30mm 20 pcs</p>	<p>R</p>  <p>BLOCK FOR SLAT ASSEMBLY 80MM X 80MM X6MM - 1PC</p>
<p>S</p>  <p>TRUSS HEAD SCREW M4 X 25mm 2 pcs</p>	<p>ASSEMBLY TOOLS REQUIRED (NOT INCLUDED)</p> 				

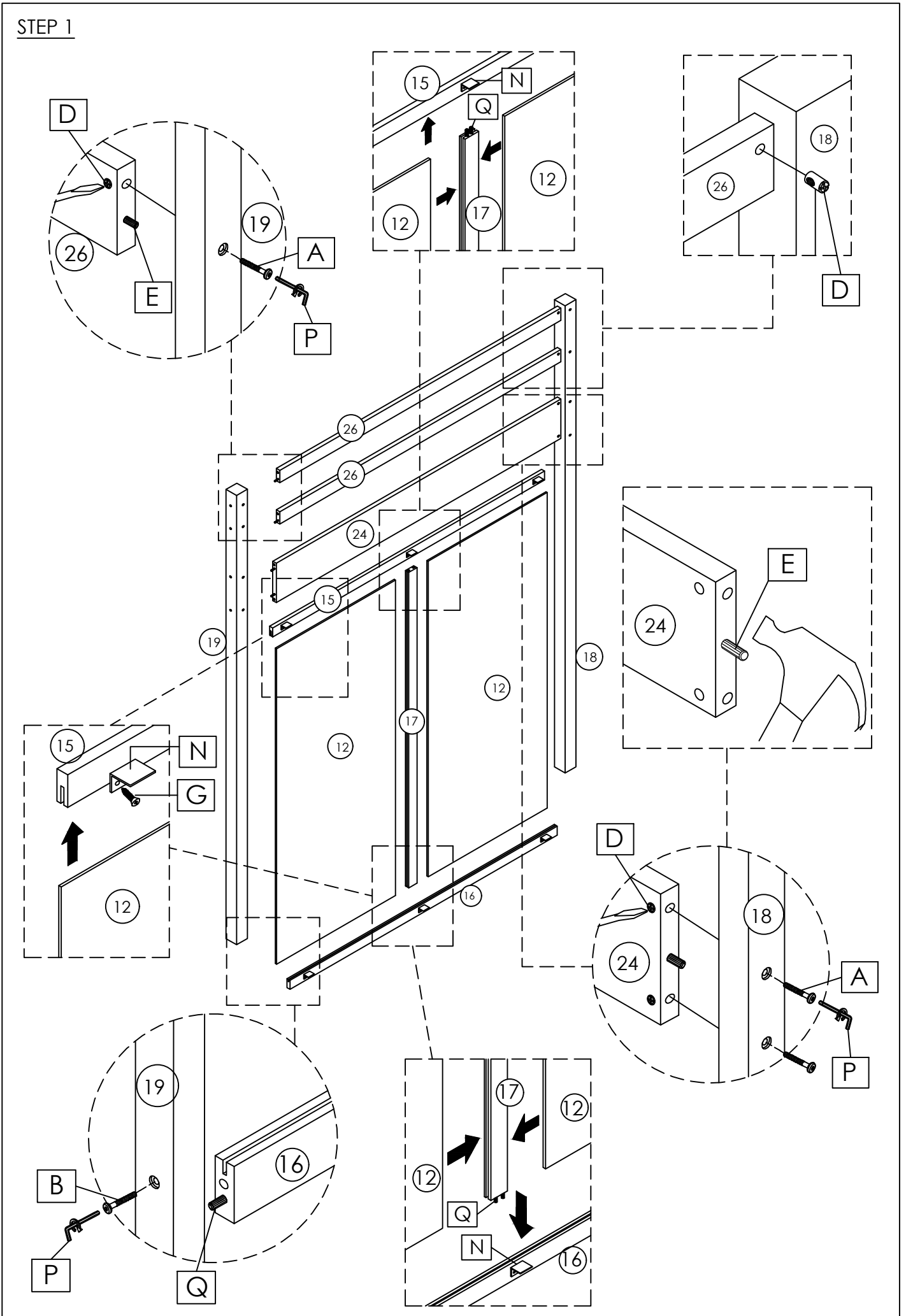


PLEASE BE CAREFULL DO NOT DAMAGE THE HOLE POSITION WHEN YOU USE POWER TOOLS !

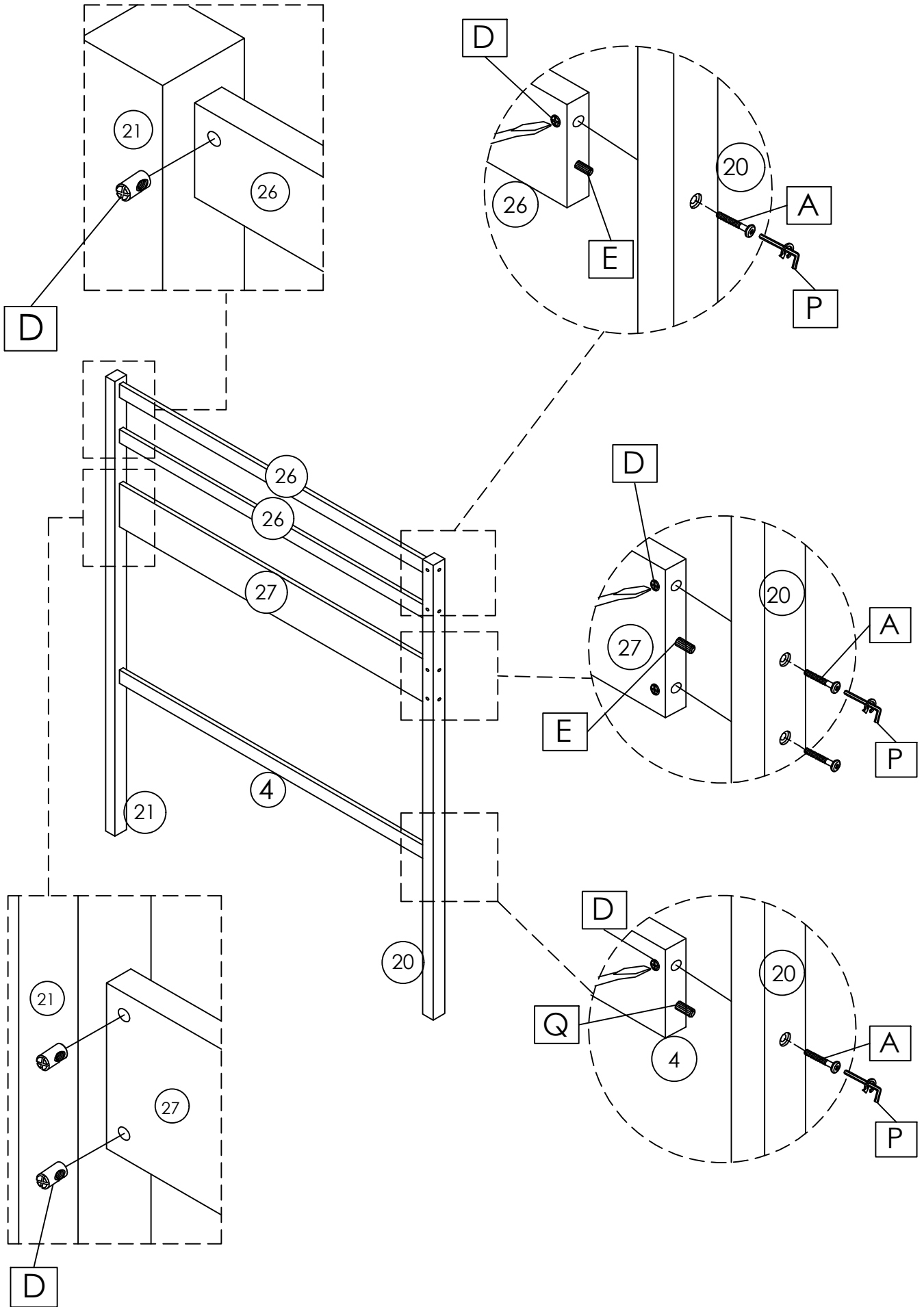
Part List - WF307715

<p>1</p>  <p>DESK LEG (i)= 1 PC</p>	<p>2</p>  <p>DESK LEG (ii)= 1 PC</p>	<p>3</p>  <p>FRONT DESK APRON = 1 PC</p>
<p>4</p>  <p>BACK DESK APRON = 1 PC</p>	<p>5</p>  <p>SIDE DESK SUPPORT (i) = 1 PC</p>	<p>6</p>  <p>SIDE DESK SUPPORT (ii) = 1 PC</p>
<p>7</p>  <p>SIDE DESK SUPPORT (iii) = 1 PC</p>	<p>8</p>  <p>SIDE DESK SUPPORT (iv) = 1 PC</p>	<p>14</p>  <p>TOP/BOTTOM SUPPORT (i) = 2 PCS</p>
<p>15</p>  <p>TOP SUPPORT = 1 PC</p>	<p>16</p>  <p>BOTTOM SUPPORT = 1 PC</p>	<p>18</p>  <p>POST i (R) = 1 PC</p>
<p>19</p>  <p>POST i (L) = 1 PC</p>	<p>20</p>  <p>POST ii (R) = 1 PC</p>	<p>21</p>  <p>POST ii (L) = 1 PC</p>
<p>22</p>  <p>FRONT SAFETY RAILS = 2 PCS</p>	<p>23</p>  <p>BACK SAFETY RAILS = 2 PCS</p>	<p>24</p>  <p>BED SIDE RAIL i (L) = 1 PC</p>
<p>25</p>  <p>BED SIDE RAIL ii (R) = 1 PC</p>	<p>26</p>  <p>WIDTH SAFETY RAILS = 4 PCS</p>	<p>27</p>  <p>WIDTH GUARD RAILS = 2 PCS</p>
<p>31</p>  <p>LADDER SIDE RAILS (R) = 1 PC</p>	<p>32</p>  <p>LADDER SIDE RAILS (L) = 1 PC</p>	

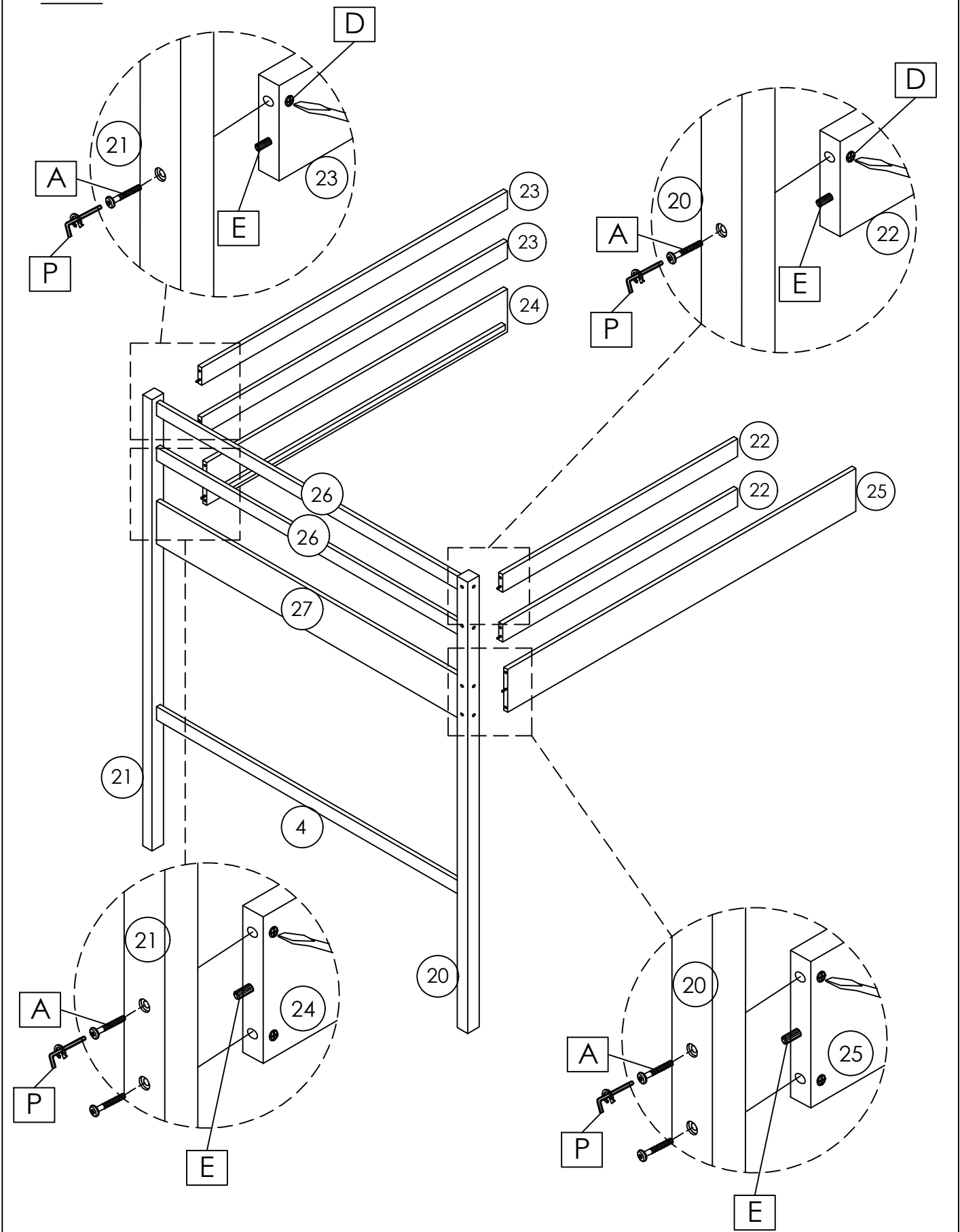
STEP 1



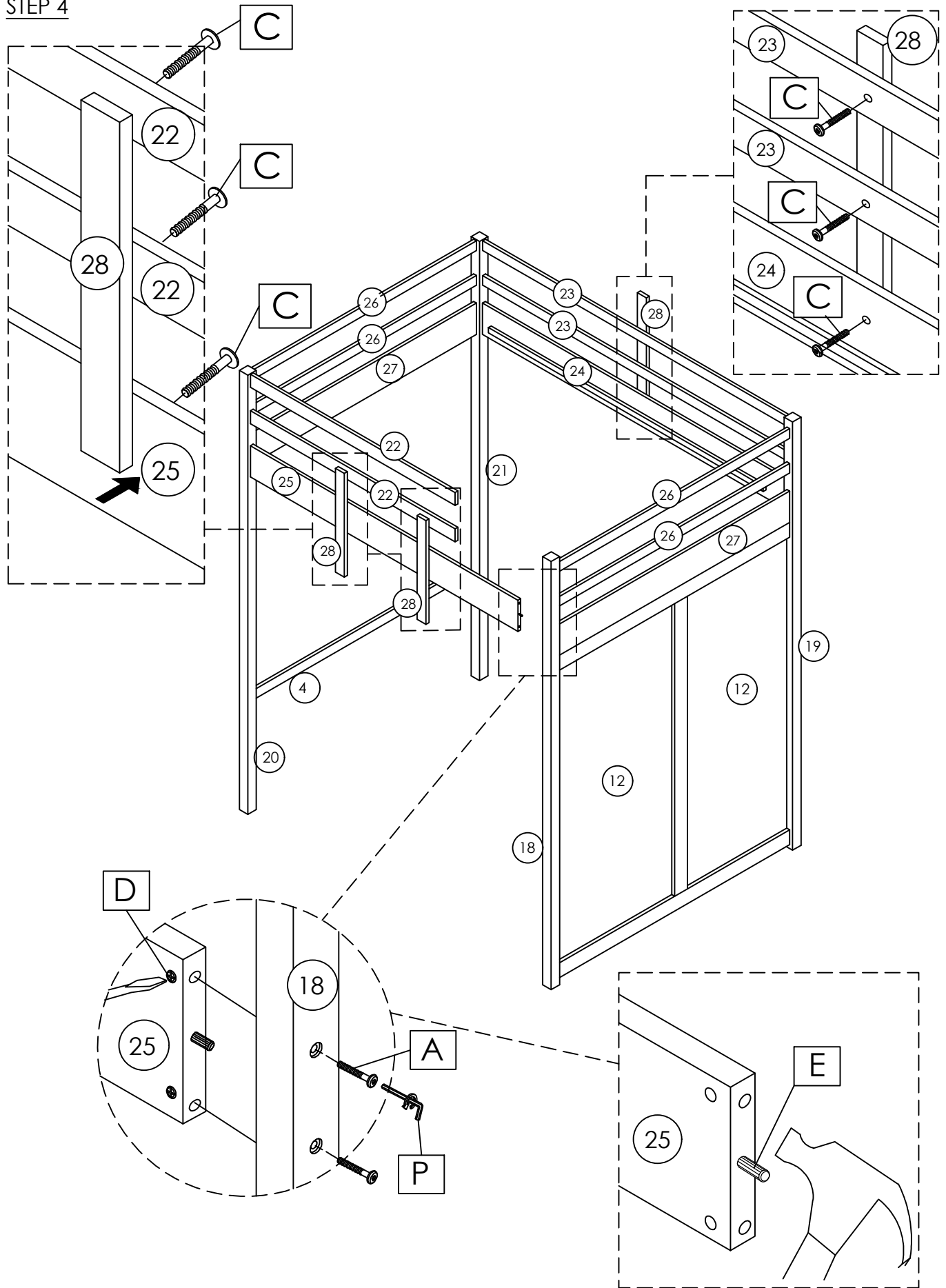
STEP 2



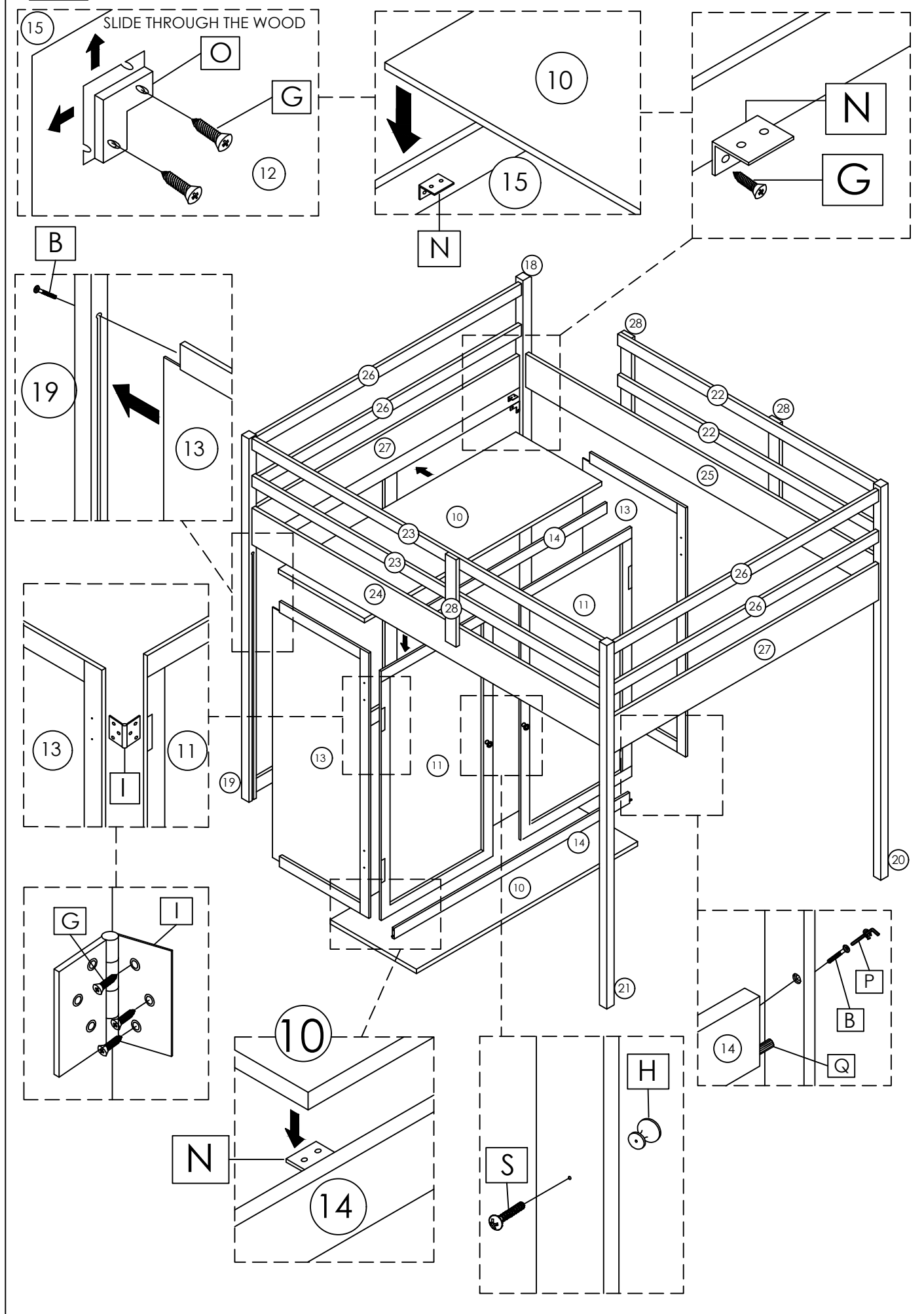
STEP 3



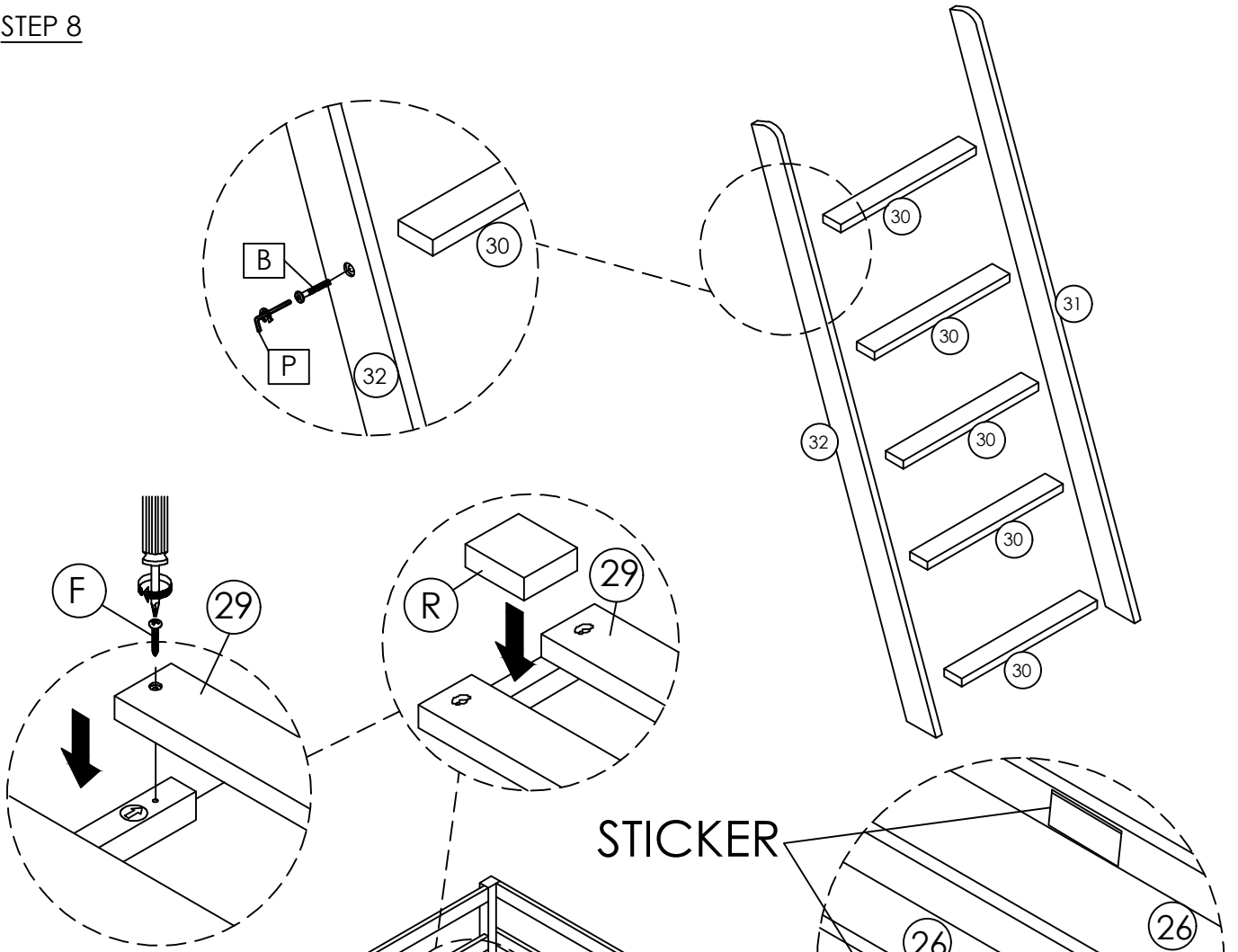
STEP 4



STEP 5



STEP 8



STEP 9

