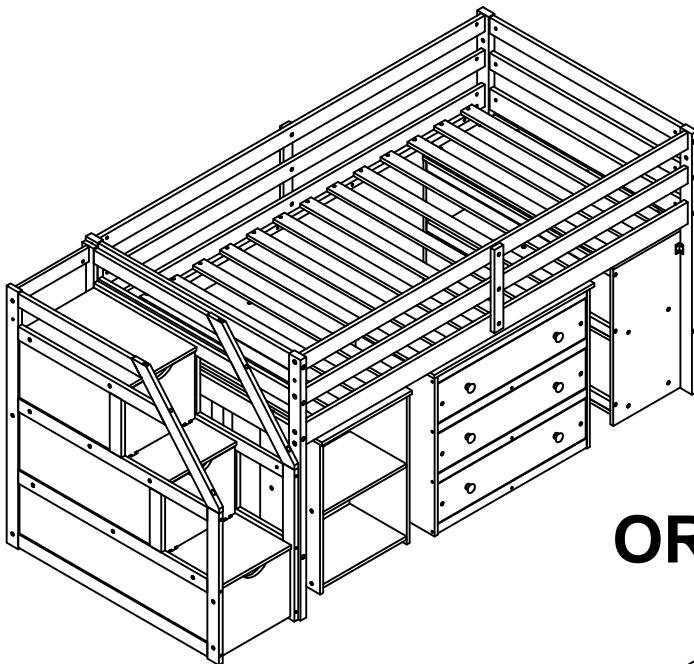
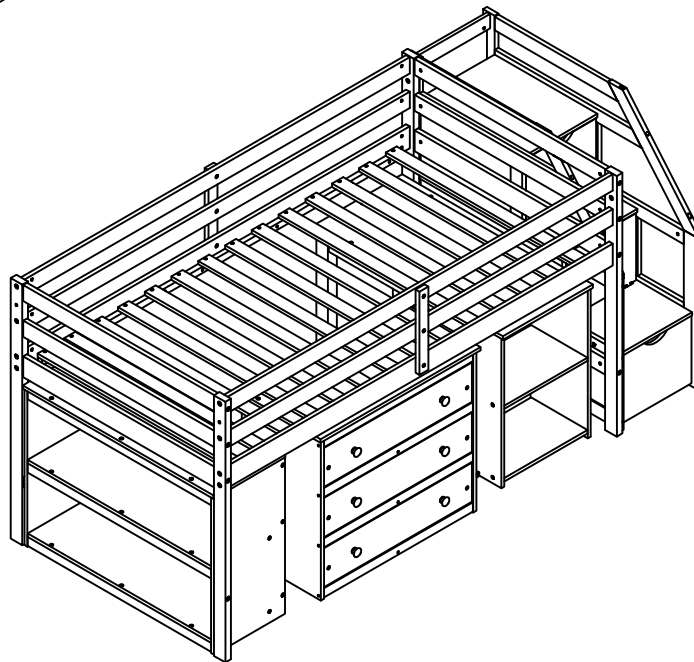


ASSEMBLY INSTRUCTIONS

TWIN LOW LOFT BED WITH STAIR AND SHELF



OR



WF307235/WF307236/WF307237



SAFETY WARNING



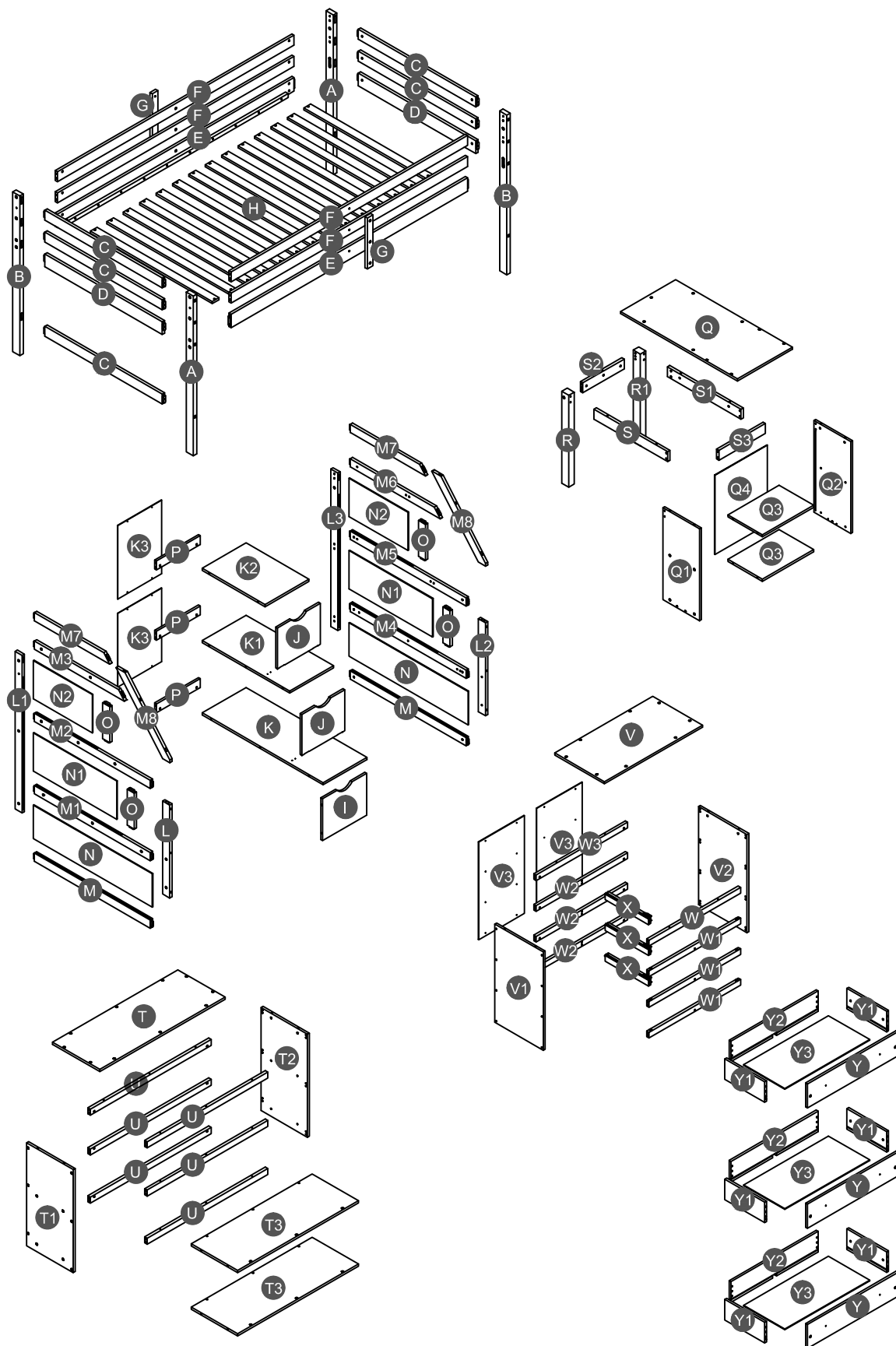
1. This bed is designed for use only mattress (es) meeting the following specifications on the upper bunk, and lower bunk:

Up bed (Bunk bed and tribed included)

Bed type	Length	Width	Thickness
Twin Standard	74"-75"	38 1/2"	6" max

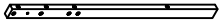
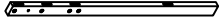
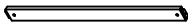


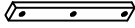

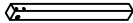
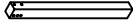

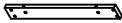



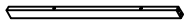


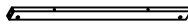

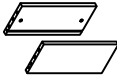

2. Replacement parts, including additional guardrails, maybe obtained from any of our (GIGACLOUD TECHNOLOGY (USA) INC . 18961 ARENTH AVENUE, CITY OF INDUSTRY,CA, 91748.) dealers
3. Follow the information on the warnings appearing on the upper bunk bed end structure and on the carton. Do not remove warning label from bed.
4. Always use the recommended size mattresses or mattress supports, or both, to help prevent the likelihood of entrapment or falls.
5. Surface of mattress must be at least 5" (127mm) below the upper edge of guardrails.
6. Do not allow children under 6 years of age to use the upper bunk.
7. Periodically check and ensure that the guardrail, ladder, and other components are in their proper position, free from damage, and that all connectors are tight.
8. Do not allow horseplay on or under the bed and prohibit jumping on the bed.
9. Always use the ladder for entering and leaving the upper bunk.
10. Do not use substitute part. Contact the manufacture or dealer for replacement part.
11. Use of a night light may provide added safety precaution for a child using the upper bunk.
12. Always use guardrails on both long sides of the upper bunk. If the bunk bed will be placed next to the wall, the guardrail that runs the full length of the bed should be placed against the wall to prevent entrapment between the bed and wall.
13. The use of water or sleep flotation mattresses is prohibited.
14. STRANGULATION HAZARD - Never attach or hang items to any part of the bunk bed that are not designed for use with the bed; for example, but not limited to, hook, belts and jump ropes.
15. Keep these instruction for future reference.
16. Prohibit more than one person on upper bunk
17. We recommend assembling your bunk bed on the shipping carton to protect your floor or carpet.
18. Be certain all staples are out of the box before beginning assembly on the shipping carton.

Detail View




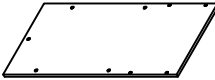
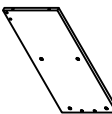
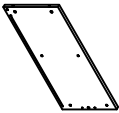
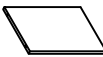


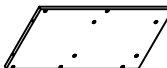
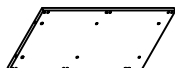


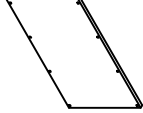
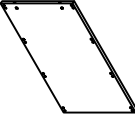
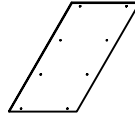

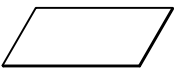
Part List

WF307235

<p>A</p>  <p>Leg (Left Front/Right Back) - 2pcs</p>	<p>B</p>  <p>Leg (Left Back/Right Front) - 2pcs</p>	<p>C</p>  <p>Horizontal bar HB/FB - 5pcs</p>
<p>E</p>  <p>Side rail - 2pcs</p>	<p>F</p>  <p>Long guard rail - 4pcs</p>	<p>G</p>  <p>Vertical guard rail - 2pcs</p>
<p>H</p>  <p>Slats - 14pcs</p>	<p>R</p>  <p>Leg (Front) - 1pc</p>	<p>R1</p>  <p>Leg (Back) - 1pc</p>
<p>S</p>  <p>Apron (Front) - 1pc</p>	<p>S1</p>  <p>Apron (Back) - 1pc</p>	<p>S2</p>  <p>Apron (Left) - 1pc</p>
<p>S3</p>  <p>Apron (Right) - 1pc</p>	<p>U</p>  <p>Horizontal bar - 6pcs</p>	<p>W</p>  <p>Upper horizontal bar (Front) - 1pc</p>
<p>W1</p>  <p>Lower horizontal bar (Front) - 3pcs</p>	<p>W2</p>  <p>Lower horizontal bar (Back) - 3pcs</p>	<p>W3</p>  <p>Upper horizontal bar (Back) - 3pcs</p>
<p>Y</p>  <p>Drawer front - 3pcs</p>	<p>Y1</p>  <p>Drawer (left/right) - 6pcs</p>	<p>Y2</p>  <p>Drawer back - 3pcs</p>


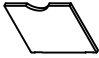

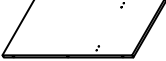

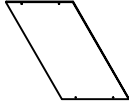


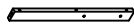




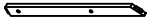


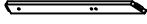


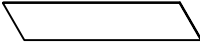
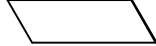



Part List

WF307236 - Hardware inside


<p>D</p>  <p>Horizontal bar HB/FB - 2pcs</p>	<p>Q</p>  <p>Top table - 1pc</p>	<p>Q1</p>  <p>Side panel (Left) - 1pc</p>
<p>Q2</p>  <p>Side panel (Right) - 1pc</p>	<p>Q3</p>  <p>Bottom + Shelf panel - 2pcs</p>	<p>Q4</p>  <p>Back panel - 1pc</p>
<p>T</p>  <p>Top panel - 1pc</p>	<p>T1</p>  <p>Side panel (Left) - 1pc</p>	<p>T2</p>  <p>Side panel (Right) - 1pc</p>
<p>T3</p>  <p>Bottom + Shelf panel - 2pcs</p>	<p>V</p>  <p>Top panel - 1pc</p>	<p>V1</p>  <p>Side panel (Left) - 1pc</p>
<p>V2</p>  <p>Side panel (Right) - 1pc</p>	<p>V3</p>  <p>Back panel - 2pcs</p>	<p>X</p>  <p>Support drawer - 3pcs</p>
<p>Y3</p>  <p>Drawer bottom - 3pcs</p>		

Part List

WF307237

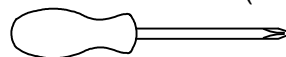
<p>I</p>  <p>Lower front panel - 1pc</p>	<p>J</p>  <p>Upper front panel - 2pcs</p>	<p>K</p>  <p>Lower step ladder panel -1pc</p>
<p>K1</p>  <p>Divider step ladder panel -1pc</p>	<p>K2</p>  <p>Upper step ladder panel -1pc</p>	<p>K3</p>  <p>Back panel - 2pcs</p>
<p>L</p>  <p>Vertical guard (Left Front) - 1pc</p>	<p>L1</p>  <p>Vertical guard (Left Back) - 1pc</p>	<p>L2</p>  <p>Vertical guard (Right Front) - 1pc</p>
<p>L3</p>  <p>Vertical guard (Right Back) - 1pc</p>	<p>M</p>  <p>Lower horizontal bar (Left/right) - 2pcs</p>	<p>M1</p>  <p>Lower divider horizontal bar (Left) - 1pc</p>
<p>M2</p>  <p>Divider horizontal bar (Left) - 1pc</p>	<p>M3</p>  <p>Upper divider horizontal bar (Left) - 1pc</p>	<p>M4</p>  <p>Lower divider horizontal bar (Right) - 1pc</p>
<p>M5</p>  <p>Divider horizontal bar (Right) - 1pc</p>	<p>M6</p>  <p>Upper divider horizontal bar (Right) - 1pc</p>	<p>M7</p>  <p>Upper horizontal bar (Left/right) - 2pcs</p>
<p>M8</p>  <p>Horizontal bar (Left/right) - 2pcs</p>	<p>N</p>  <p>Lower side panel - 2pcs</p>	<p>N1</p>  <p>Divider side panel - 2pcs</p>
<p>N2</p>  <p>Upper side panel - 2pcs</p>	<p>O</p>  <p>Vertical guard - 4pcs</p>	<p>P</p>  <p>Support horizontal bar (back) - 3pcs</p>

Hardware List WF307236

<p>1</p>  <p style="text-align: center;">Ø10*40mm</p> <p style="text-align: center;">Wood dowel (8pcs)</p>	<p>2</p>  <p style="text-align: center;">Ø10*20mm</p> <p style="text-align: center;">Wood dowel (2pcs)</p>	<p>3</p>  <p style="text-align: center;">Ø8*30mm</p> <p style="text-align: center;">Wood dowel (68pcs)</p>
<p>4</p>  <p style="text-align: center;">(Ø15)1/4"*100mm</p> <p style="text-align: center;">Hex-Head bolts (30pcs)</p>	<p>5</p>  <p style="text-align: center;">(Ø15)1/4"*80mm</p> <p style="text-align: center;">Hex-Head bolts (22pcs)</p>	<p>6</p>  <p style="text-align: center;">(Ø12)1/4"*60mm</p> <p style="text-align: center;">Hex-Head bolts (105pcs)</p>
<p>7</p>  <p style="text-align: center;">(Ø12)1/4"*40mm</p> <p style="text-align: center;">Hex-Head bolts (1pc)</p>	<p>8</p>  <p style="text-align: center;">(Ø12)1/4"*30mm</p> <p style="text-align: center;">Hex-Head bolts (6pcs)</p>	<p>9</p>  <p style="text-align: center;">1/4"*15 (9.5mm)</p> <p style="text-align: center;">Horizontal-Hole bolts(157pcs)</p>
<p>10</p>  <p style="text-align: center;">(Ø12)1/4"*65mm</p> <p style="text-align: center;">Hex-Head bolts (10pcs)</p>	<p>11</p>  <p style="text-align: center;">(Ø12)1/4"*40mm</p> <p style="text-align: center;">Hex-Head bolts (22pcs)</p>	<p>12</p>  <p style="text-align: center;">Ø4*30mm</p> <p style="text-align: center;">Wood screws (32pcs)</p>
<p>13</p>  <p style="text-align: center;">Ø38*31mm</p> <p style="text-align: center;">Pine Knob (6pcs)</p>	<p>14</p>  <p style="text-align: center;">3/16"*25mm</p> <p style="text-align: center;">Ph zinc(Knob) (6pcs)</p>	<p>15</p>  <p style="text-align: center;">45*20*35mm</p> <p style="text-align: center;">Castor (2pcs)</p>
<p>16</p>  <p style="text-align: center;">Ø3.5*19mm</p> <p style="text-align: center;">Wood screws (4pcs)</p>	<p>17</p>  <p style="text-align: center;">Ø3.5*15mm</p> <p style="text-align: center;">Wood screws (24pcs)</p>	<p>18</p>  <p style="text-align: center;">Ø3.5*15mm</p> <p style="text-align: center;">Wood screws (29pcs)</p>
<p>19</p>  <p style="text-align: center;">Ø3.5*12mm</p> <p style="text-align: center;">Wood screws (16pcs)</p>	<p>20</p>  <p style="text-align: center;">340*30mm</p> <p style="text-align: center;">Upper slider drawer (3pcs)</p>	<p>21</p>  <p style="text-align: center;">(1/4")4.5*58mm</p> <p style="text-align: center;">Allen key (1pc)</p>
<p>22</p>  <p style="text-align: center;">100*20*54mm</p> <p style="text-align: center;">Castor (2pcs)</p>	<p>23</p>  <p style="text-align: center;">45*17*13mm</p> <p style="text-align: center;">Door catch (2pcs)</p>	<p>24</p>  <p style="text-align: center;">42*12*1mm</p> <p style="text-align: center;">Metal magnet (2pcs)</p>
<p>25</p>  <p style="text-align: center;">40*18*18*1.6mm</p> <p style="text-align: center;">Metal bracket (5pcs)</p>		





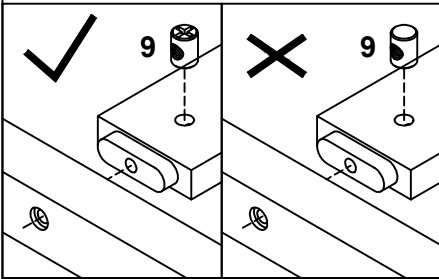
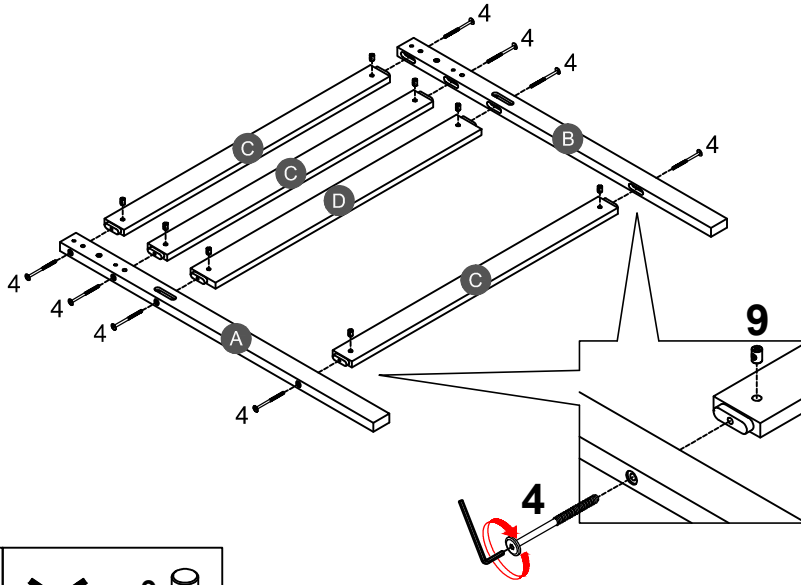
ASSEMBLY TOOLS REQUIRED (NOT INCLUDED)



PLEASE BE CAREFUL DO NOT DAMAGE THE HOLE POSITION WHEN YOU USE POWER TOOLS !



STEP 1:

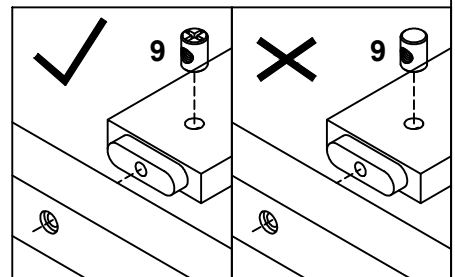
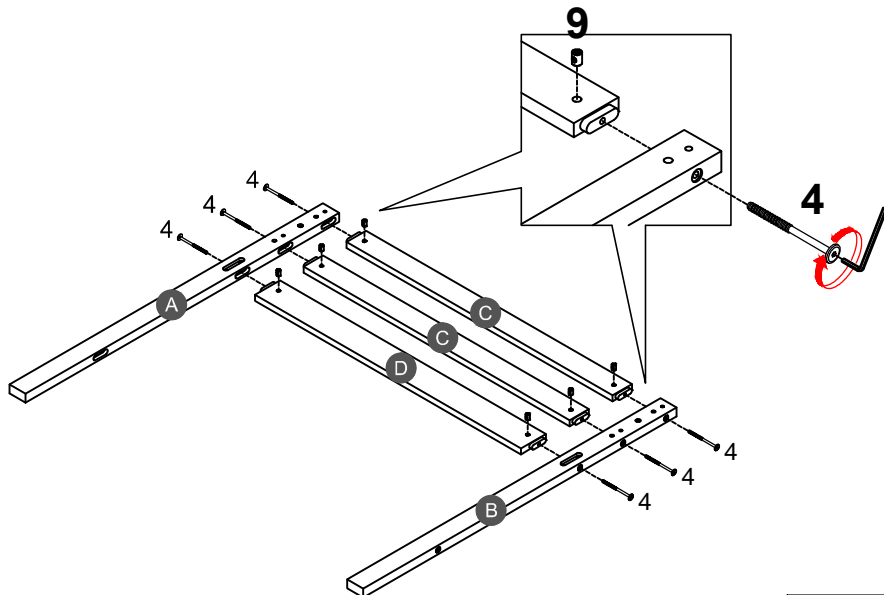
4		9	
8PCS		8PCS	



Note: Part 9 will face up with the "x" mark on it, otherwise it cannot be tightened

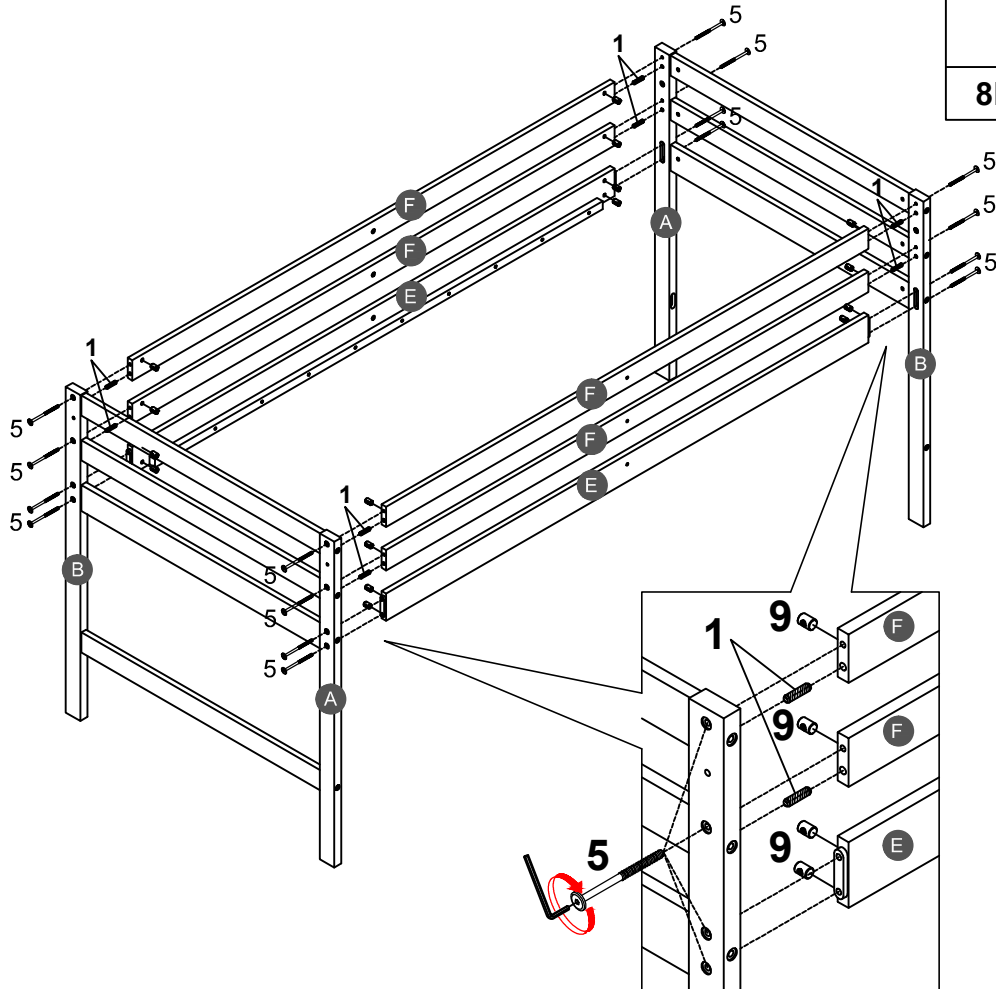
STEP 2:




4		9	
6PCS		6PCS	



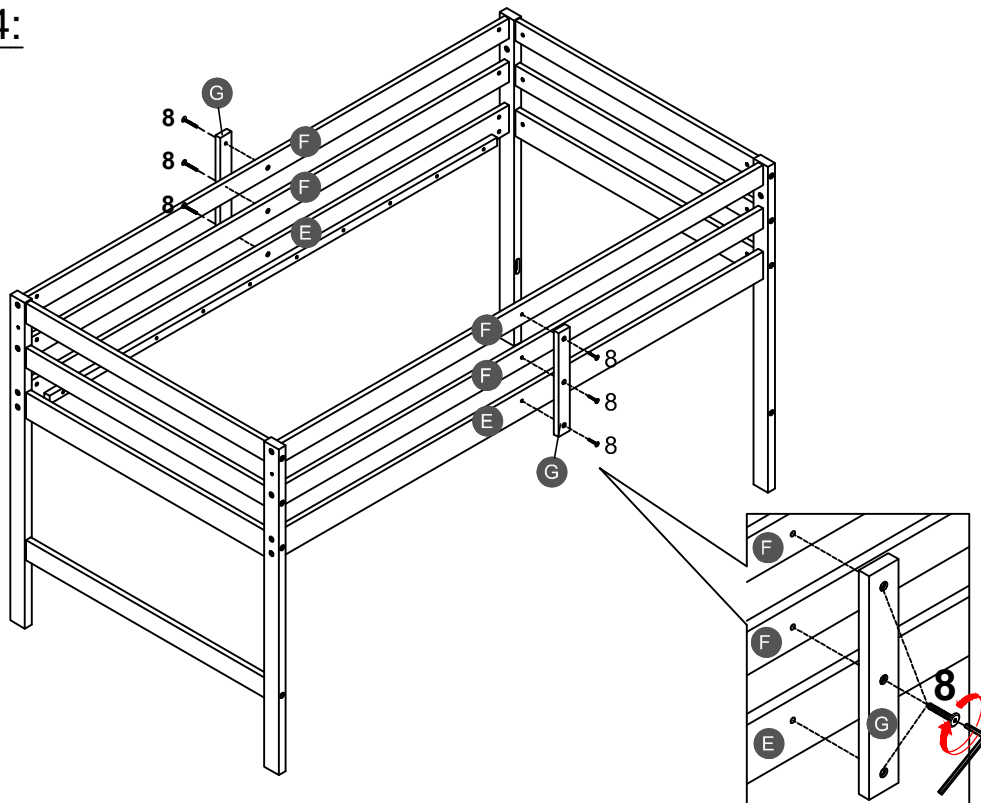
Note: Part 9 will face up with the "x" mark on it, otherwise it cannot be tightened


STEP 3:



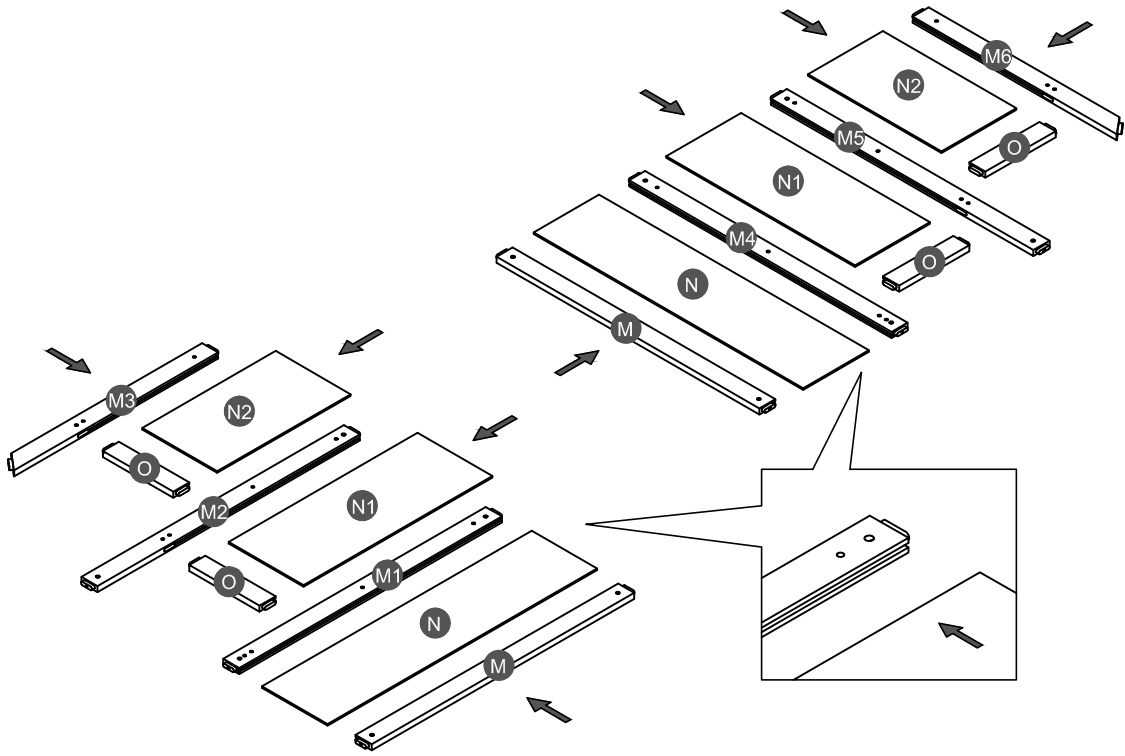
1		5	
8PCS		16PCS	
		9	
		16PCS	

STEP 4:







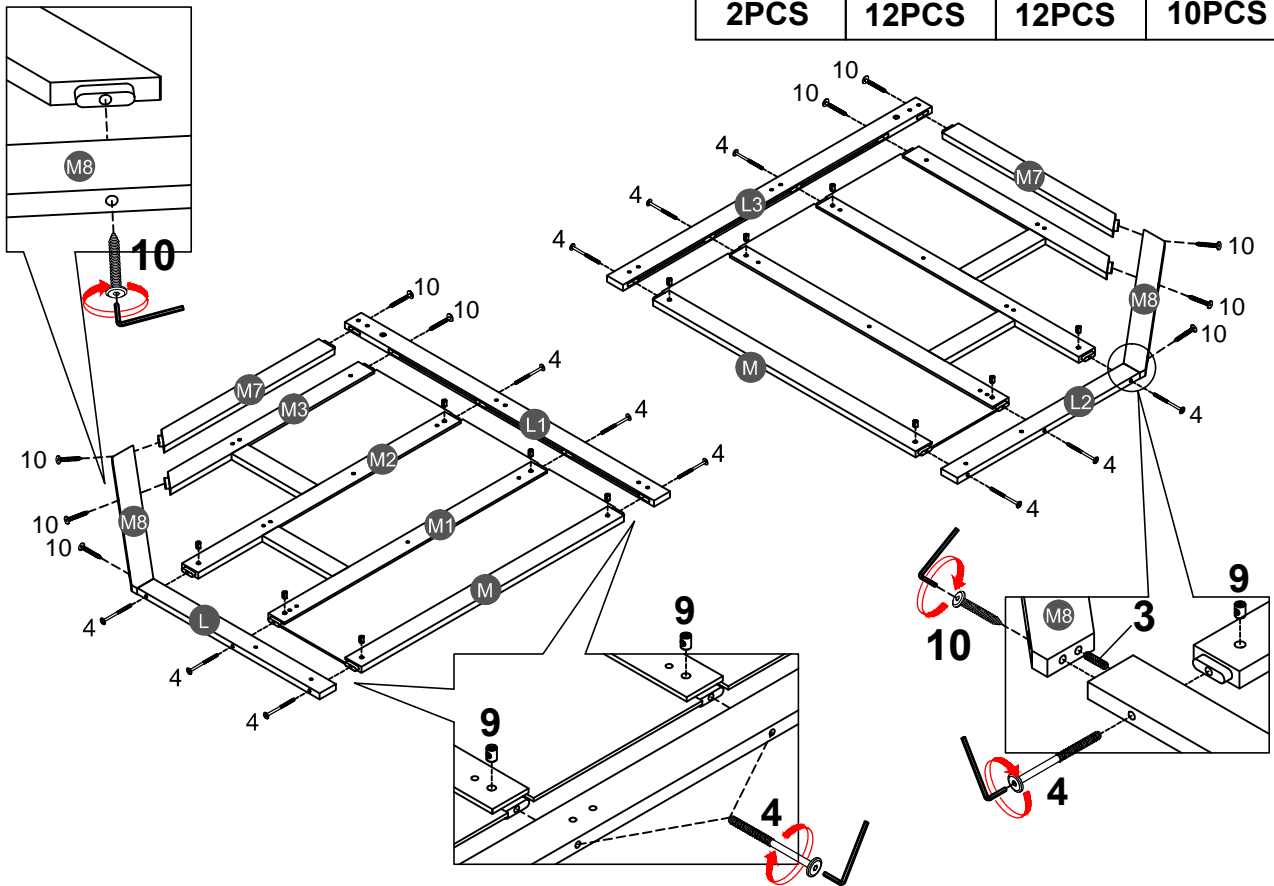
8	
6PCS	

STEP 5:

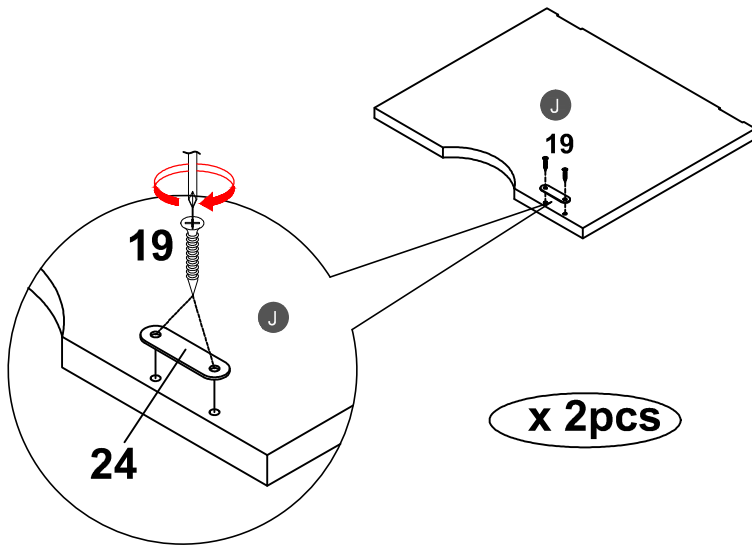




STEP 6:

3		4		9		10	
2PCS		12PCS		12PCS		10PCS	

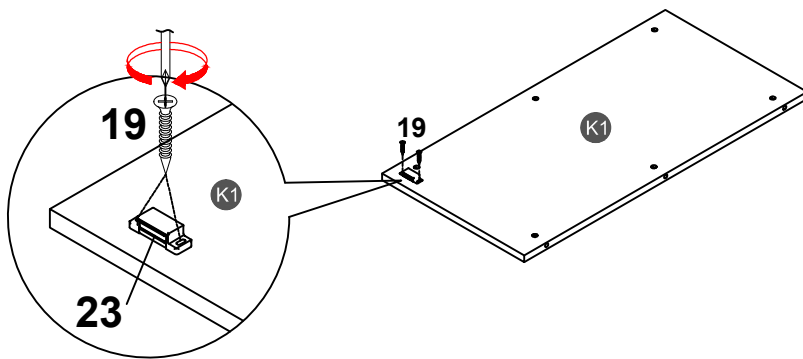




STEP 7:



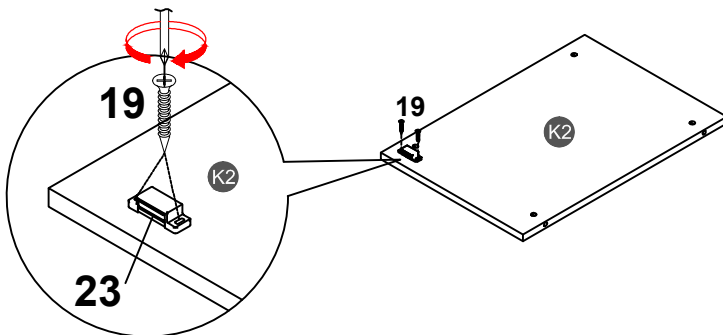
19	24
	
4PCS	2PCS



STEP 8:



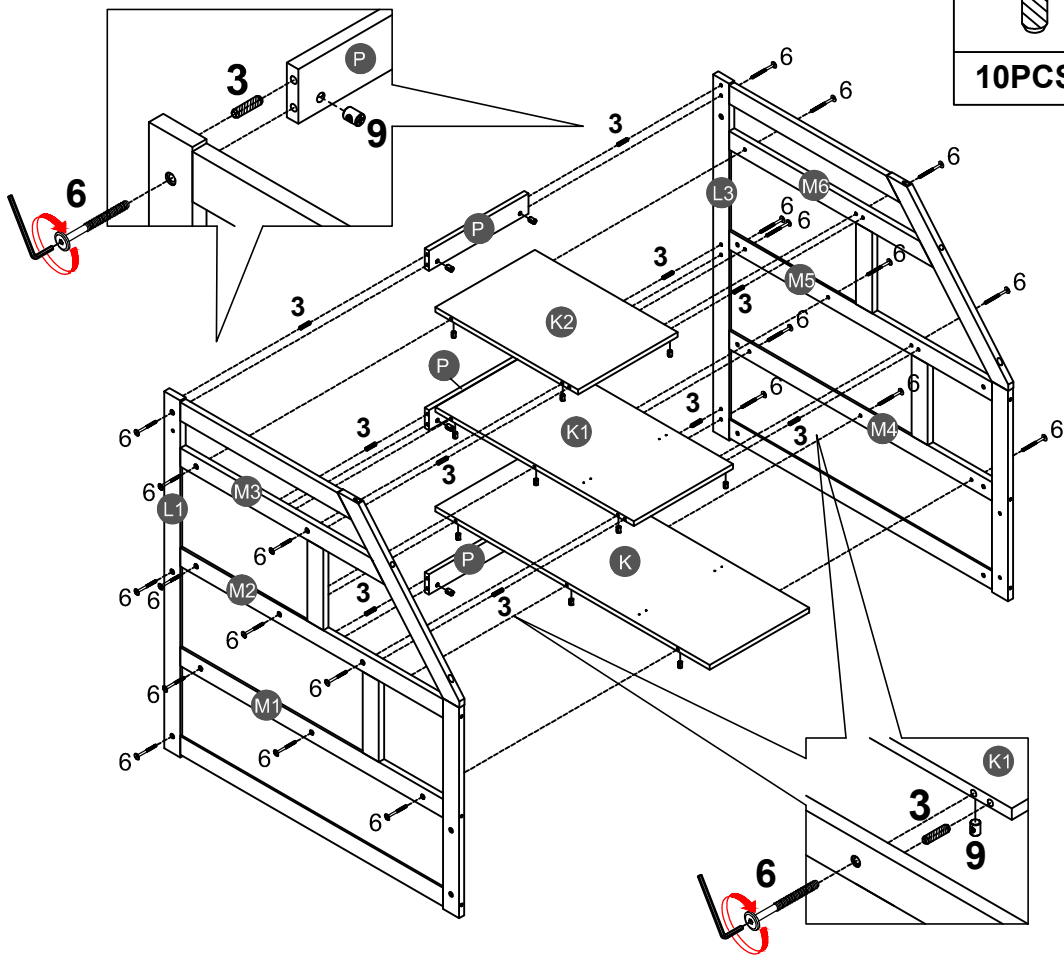
19	23
	
2PCS	1PC




STEP 9:



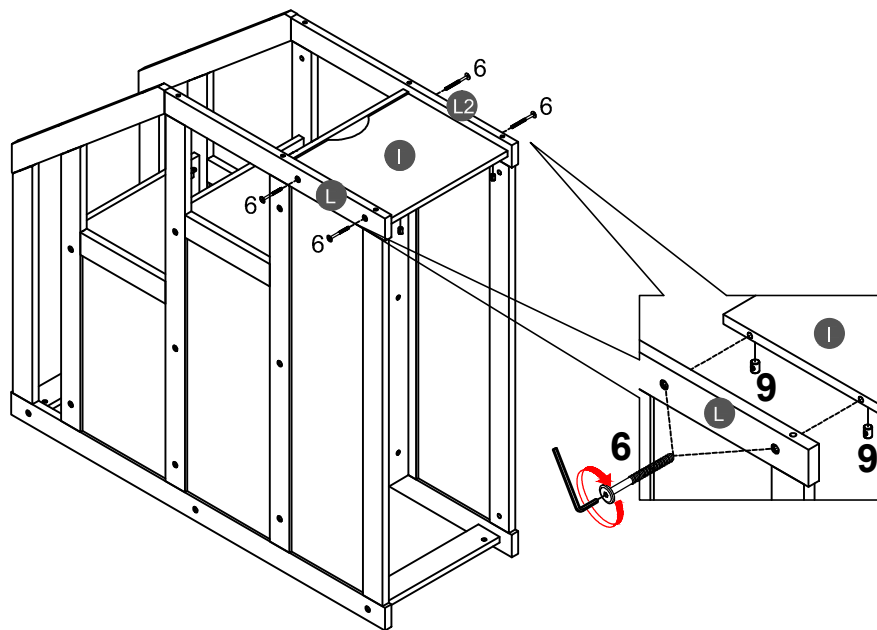
19	23
	
2PCS	1PC



STEP 10:



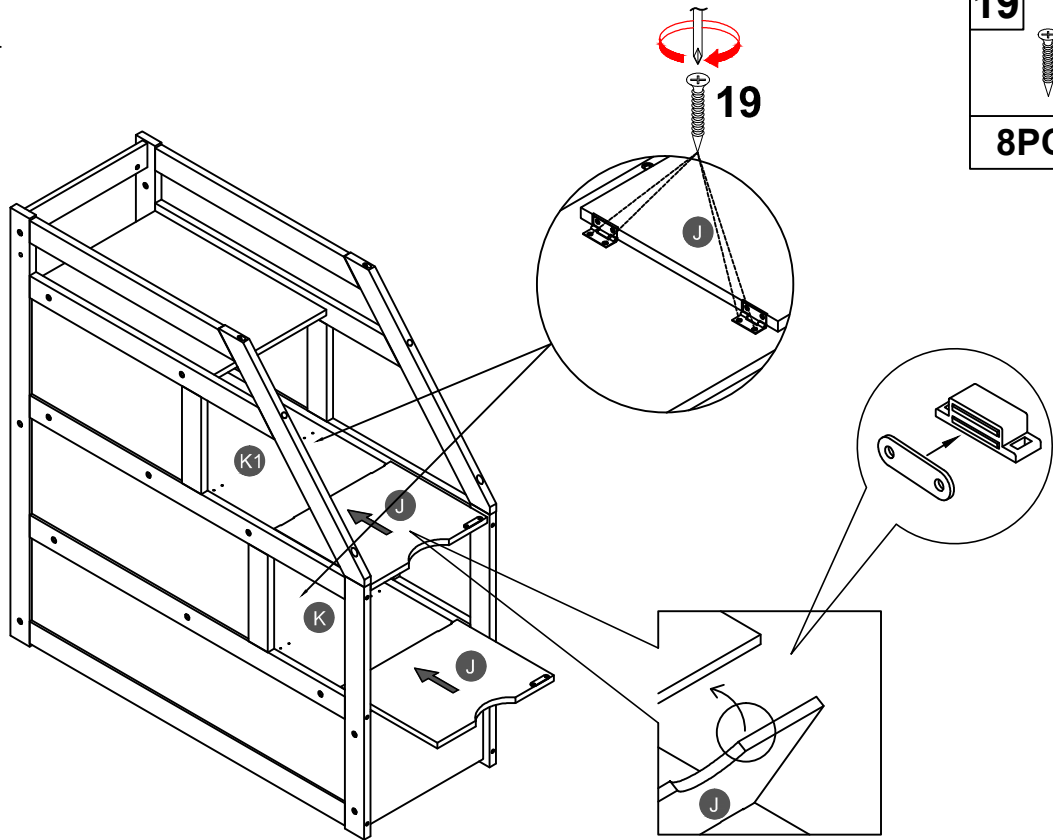
3		6	
10PCS		22PCS	
		9	
		22PCS	

STEP 11:

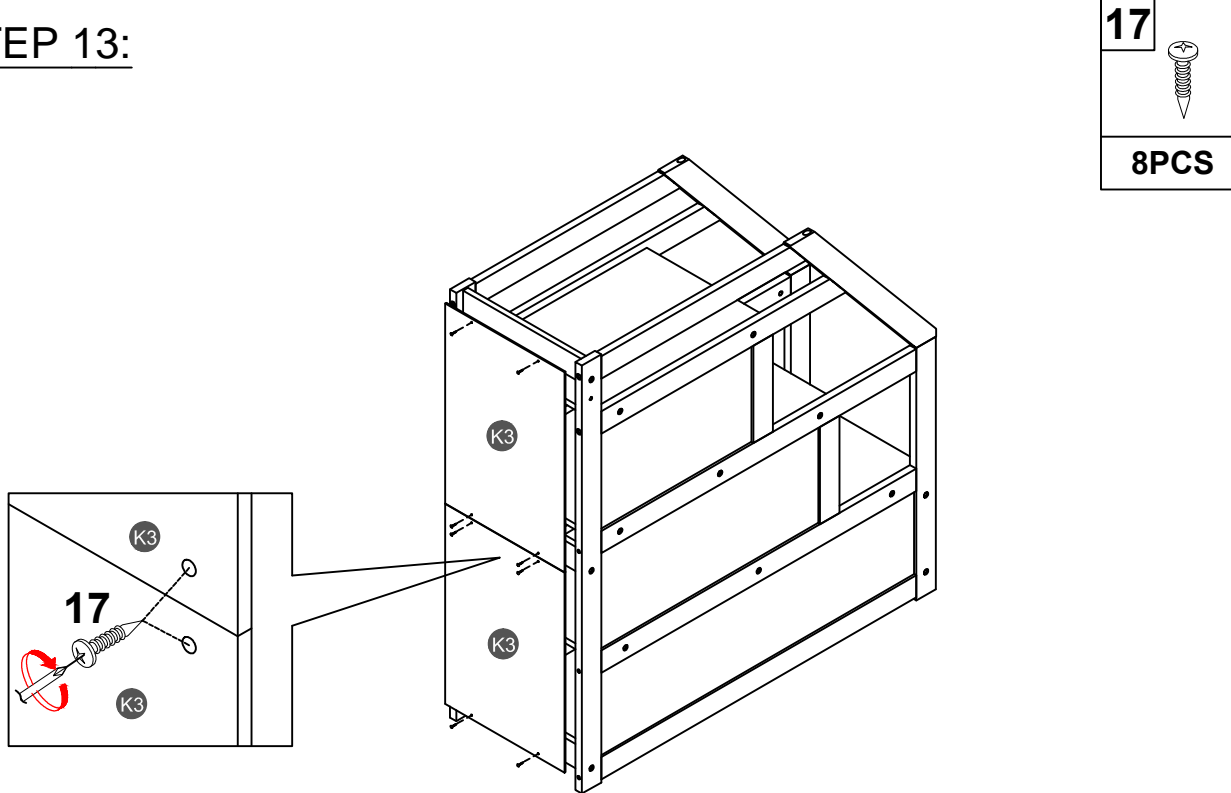


6	
4PCS	
9	
4PCS	

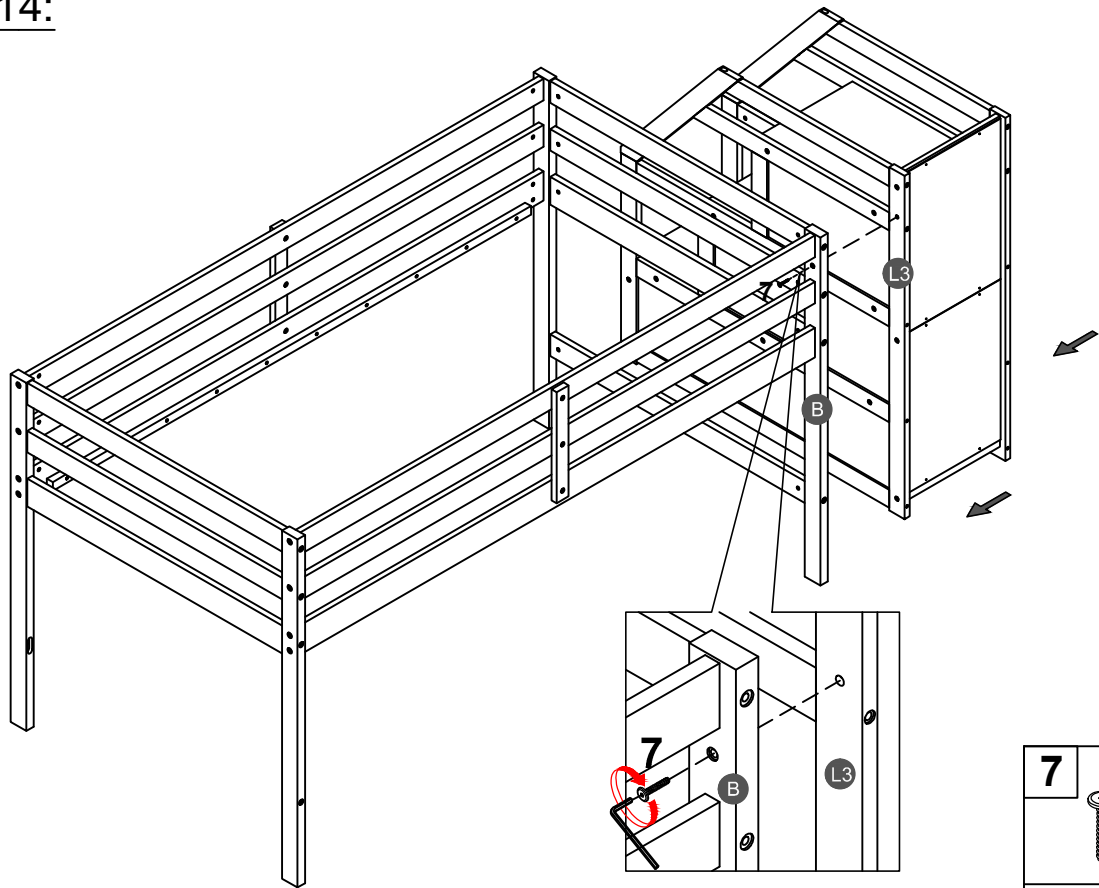
STEP 12:



STEP 13:

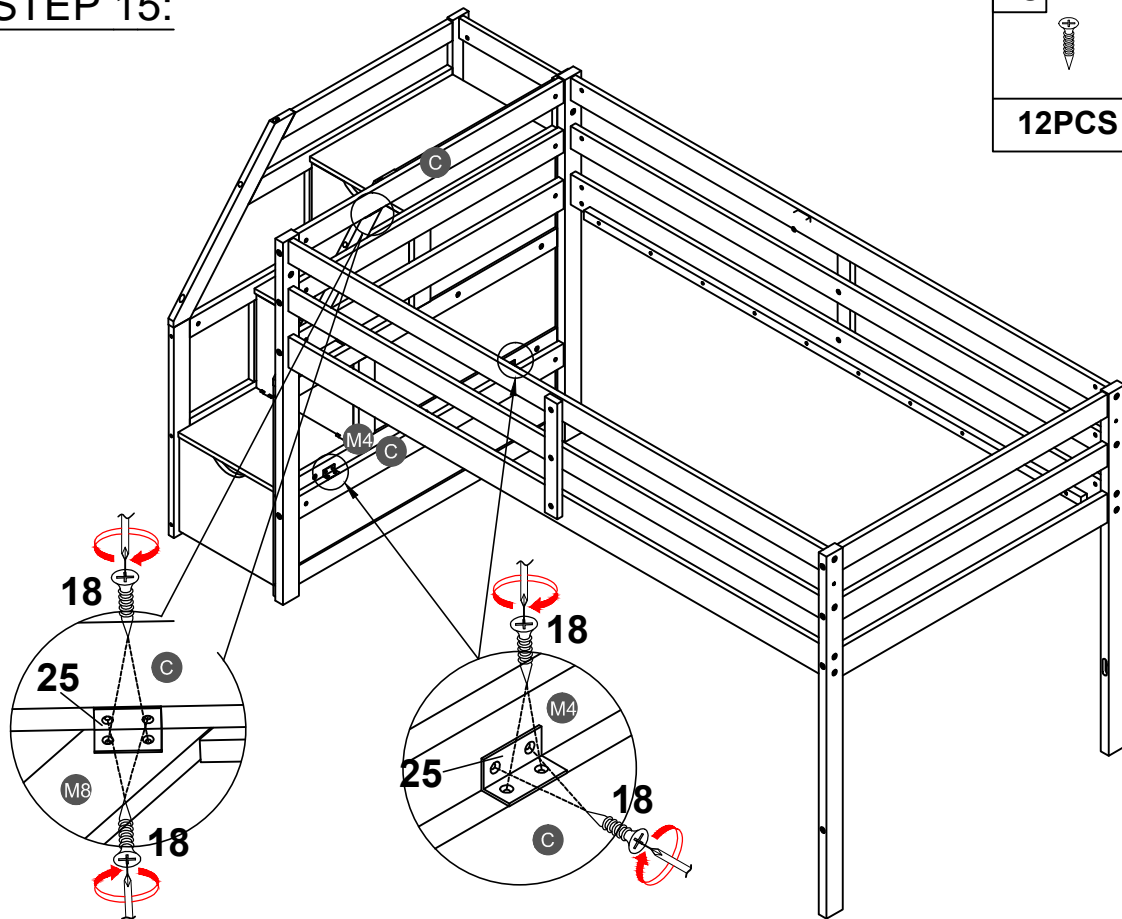


STEP 14:



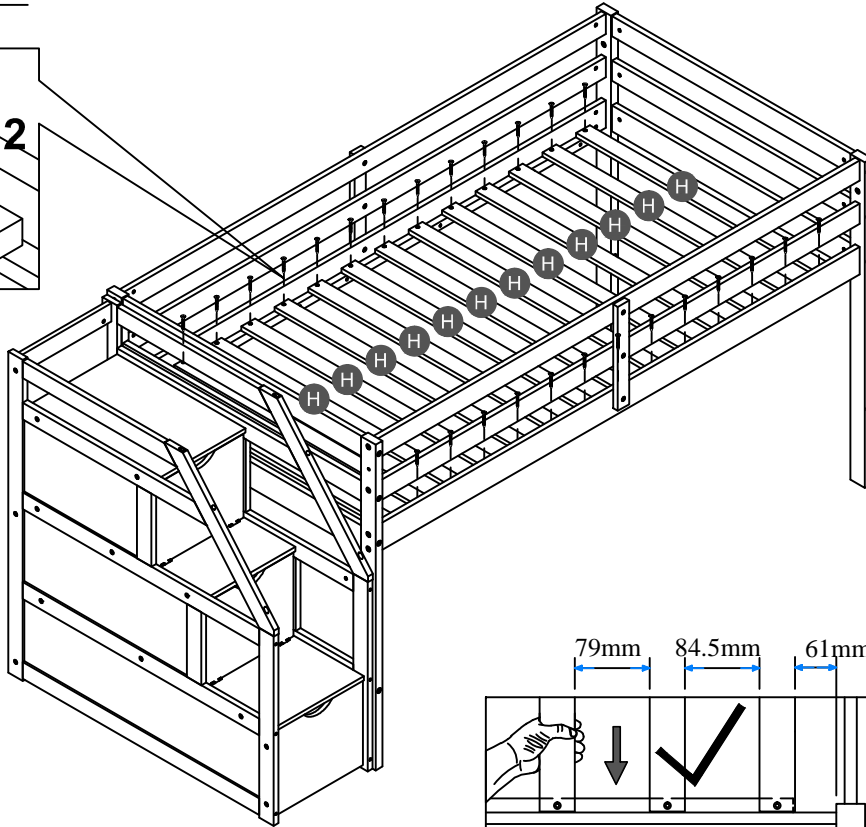
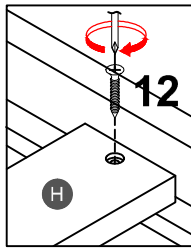
7	
1PC	

STEP 15:



18		25	
12PCS		3PCS	

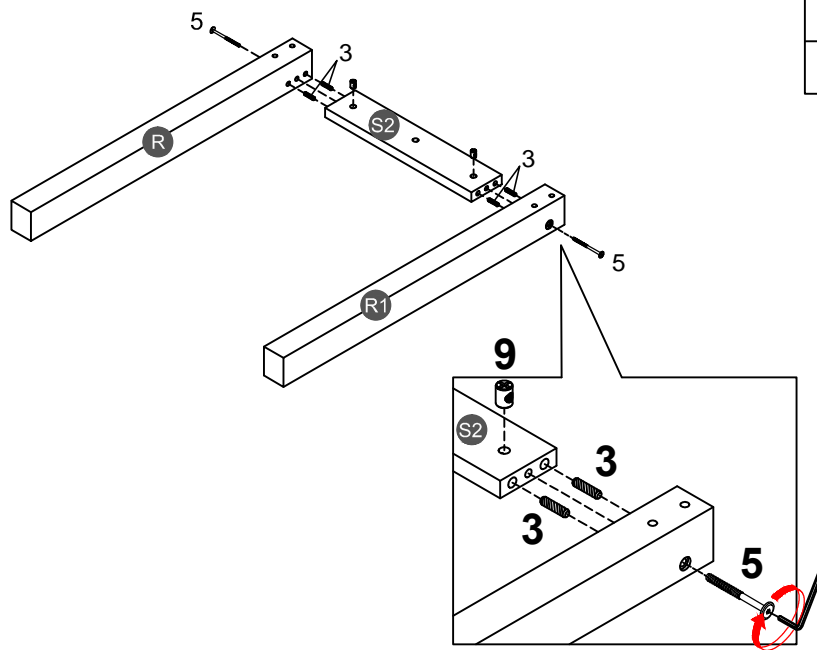
STEP 16:



12	
28PCS	

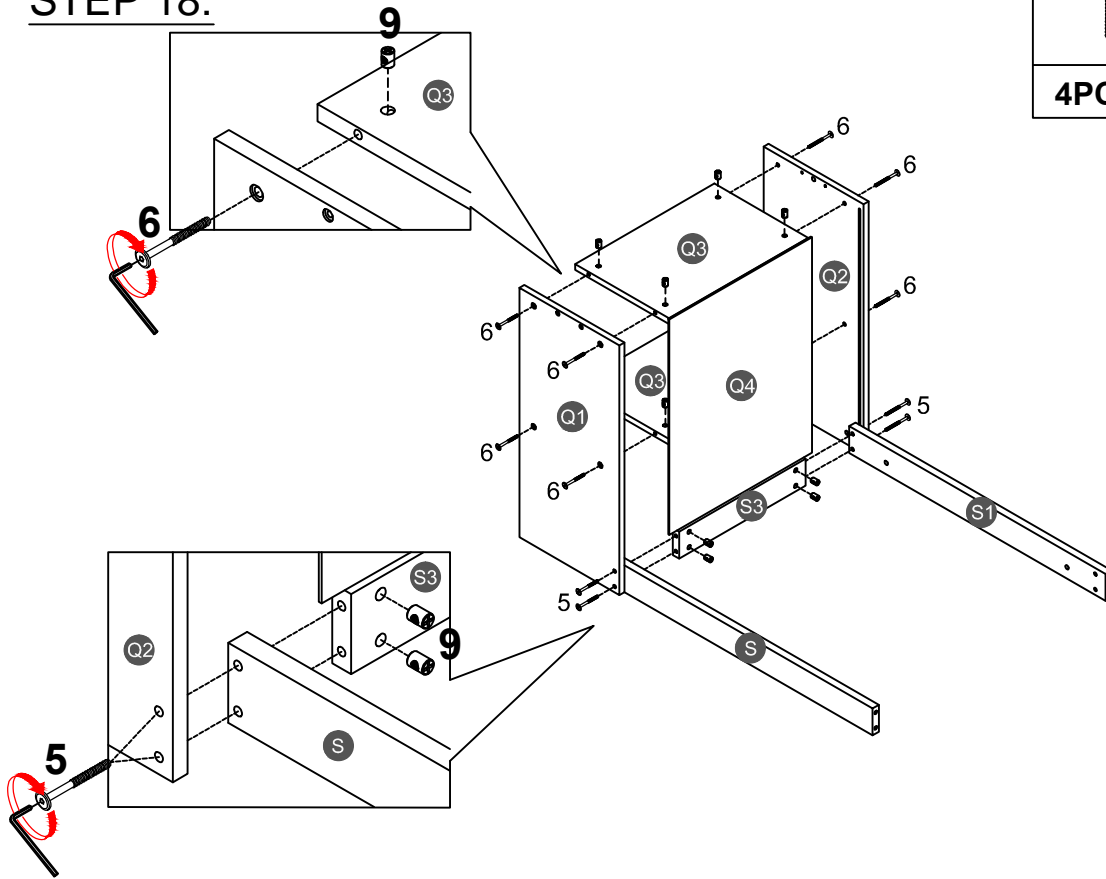
Note: Do not lock the screws of the bed slats to the outermost edge of the bed slats, you need to leave a certain space at the edges, otherwise it will cause the board to break. Do not lock the bed slats on the edge of the wood, please hold firmly before screwing, hold it in place with one hand, then lock the screw.




STEP 17:



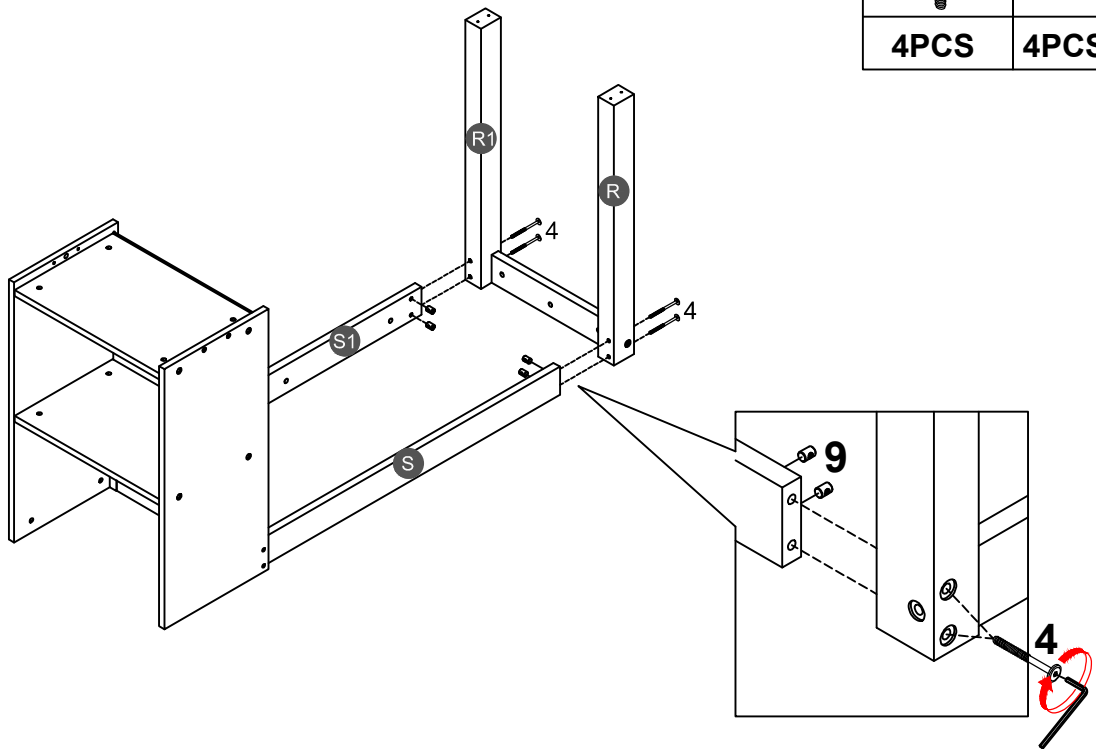
3		5	
4PCS		2PCS	
		9	
		2PCS	



STEP 18:



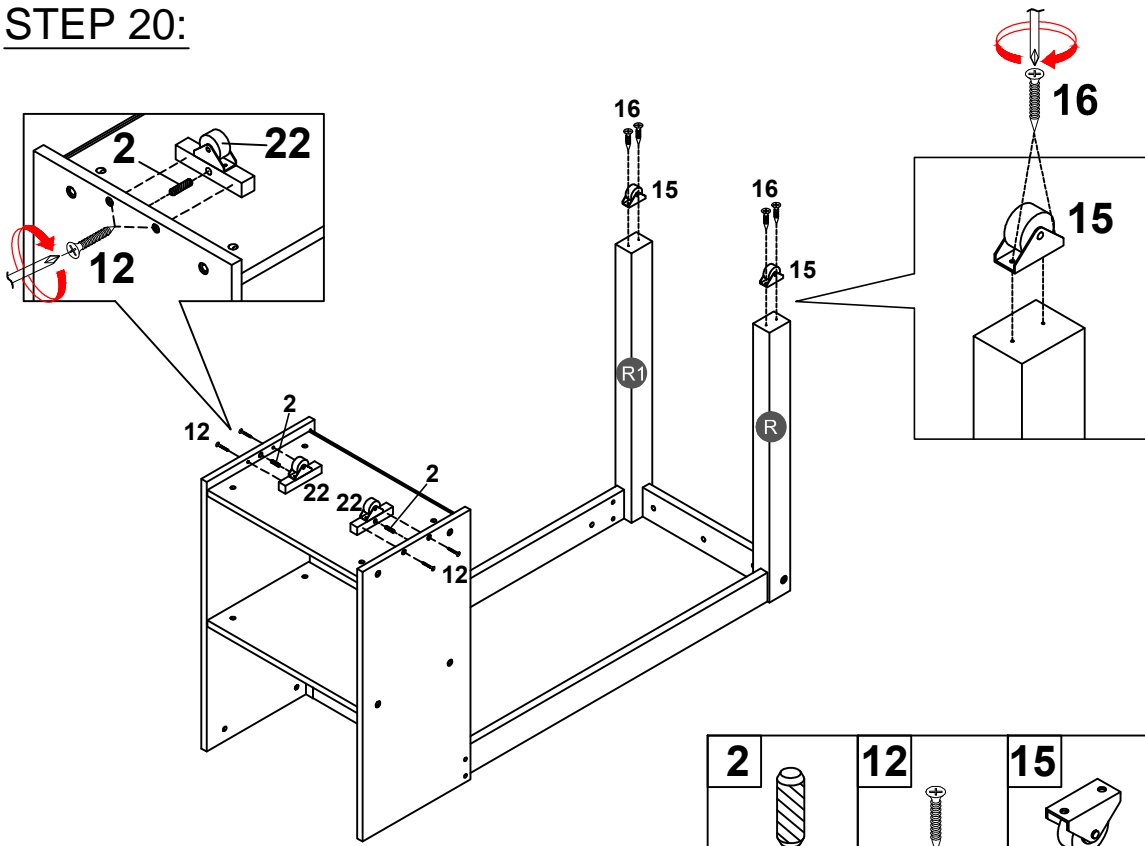
5		6	
4PCS		8PCS	
		9	
12PCS			

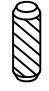

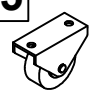

STEP 19:

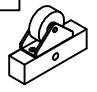




4		9	
4PCS		4PCS	

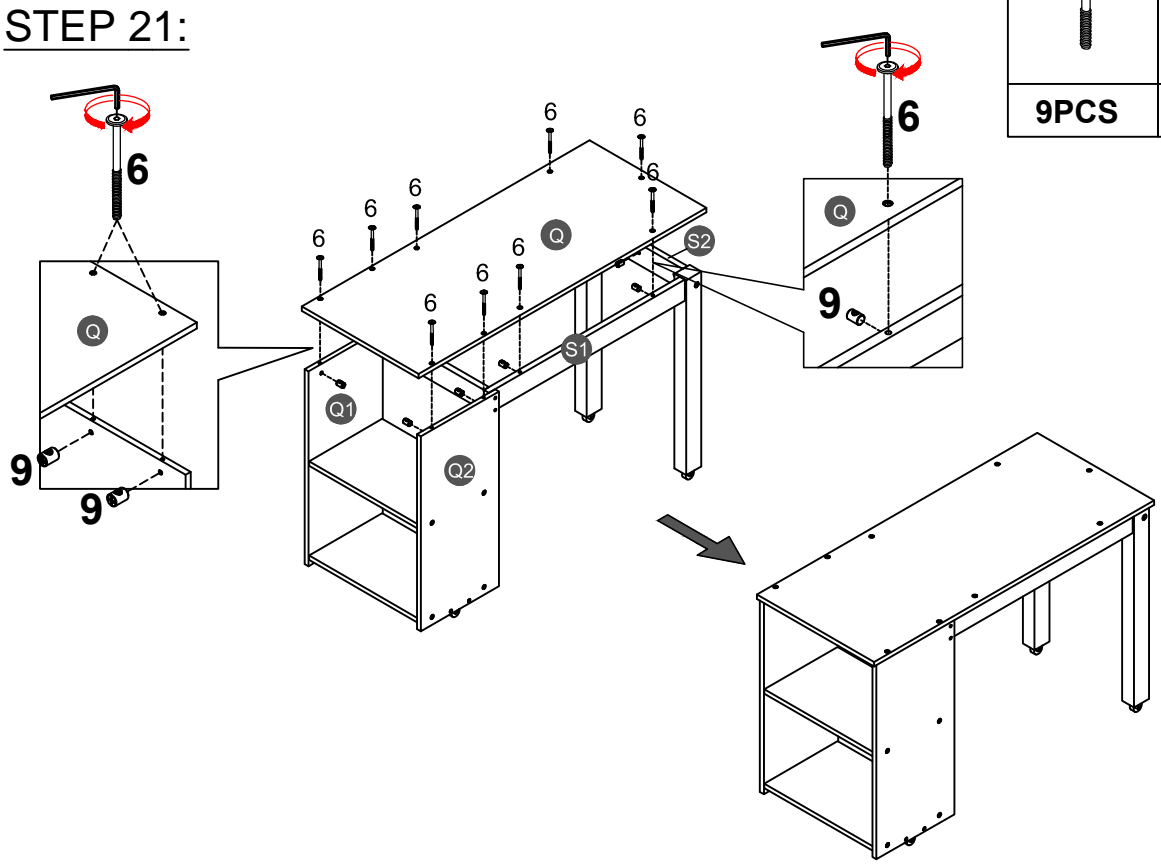
STEP 20:



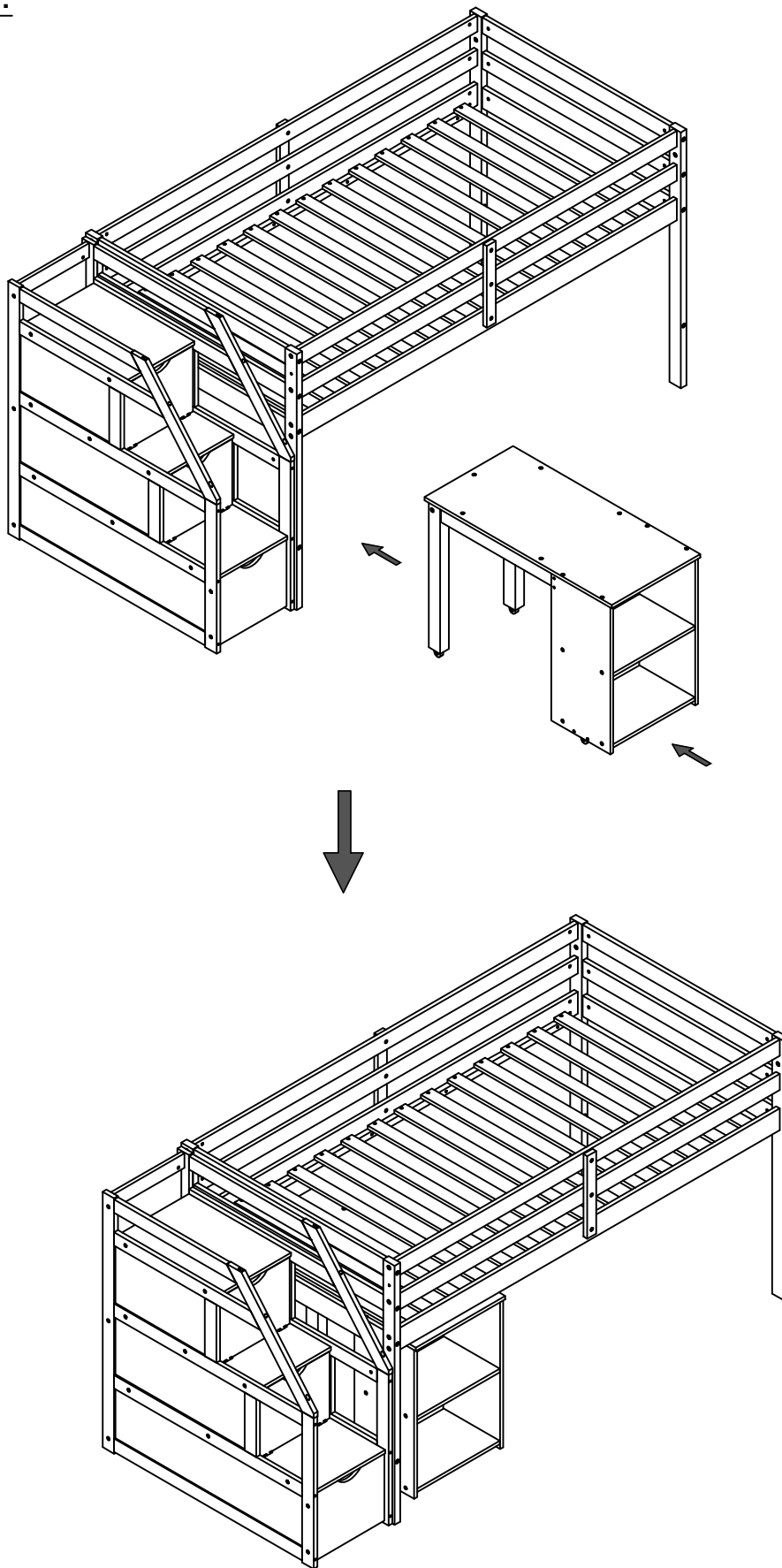
2	12	15	16
			
2PCS	4PCS	2PCS	4PCS

22	6	9
		
2PCS	9PCS	9PCS


STEP 21:

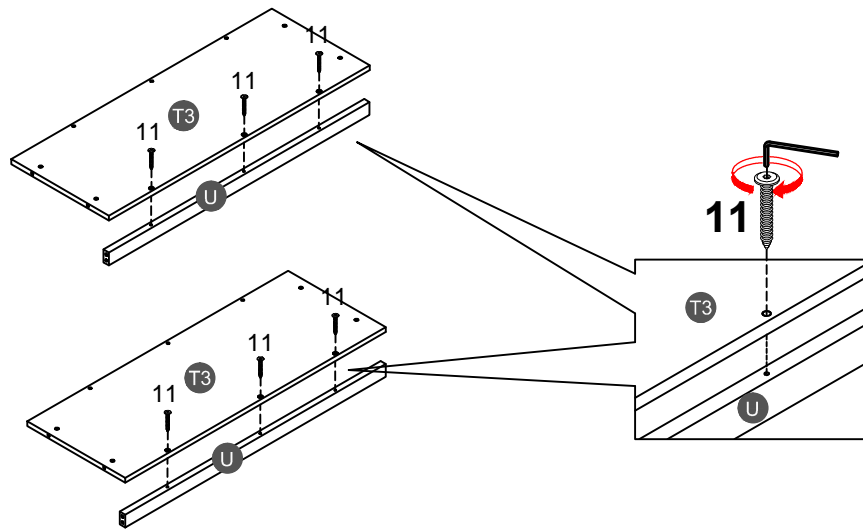


STEP 22:






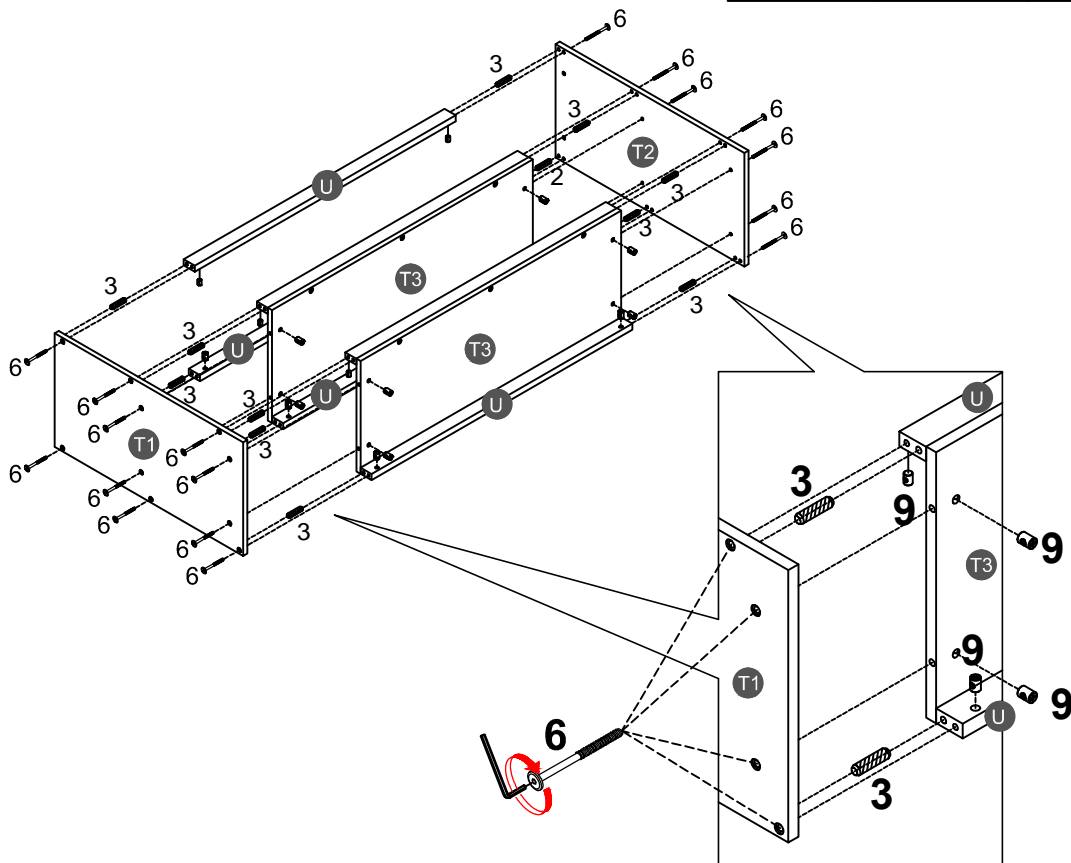
STEP 23:

11	
6PCS	

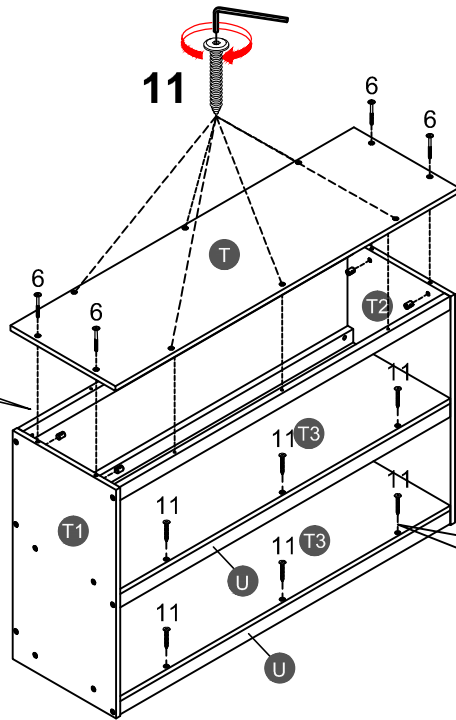
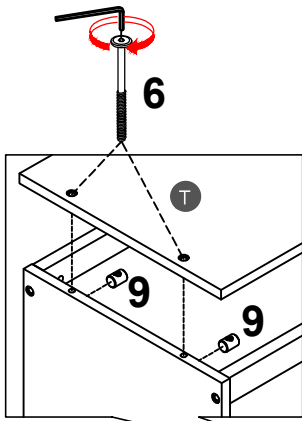





STEP 24:

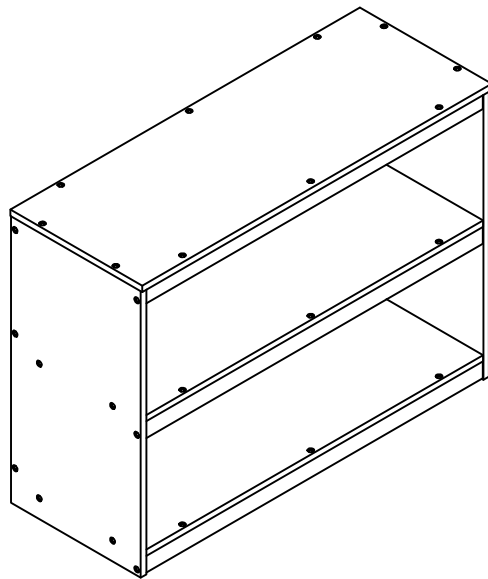
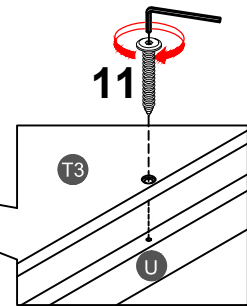
3		6		9	
12PCS		20PCS		20PCS	



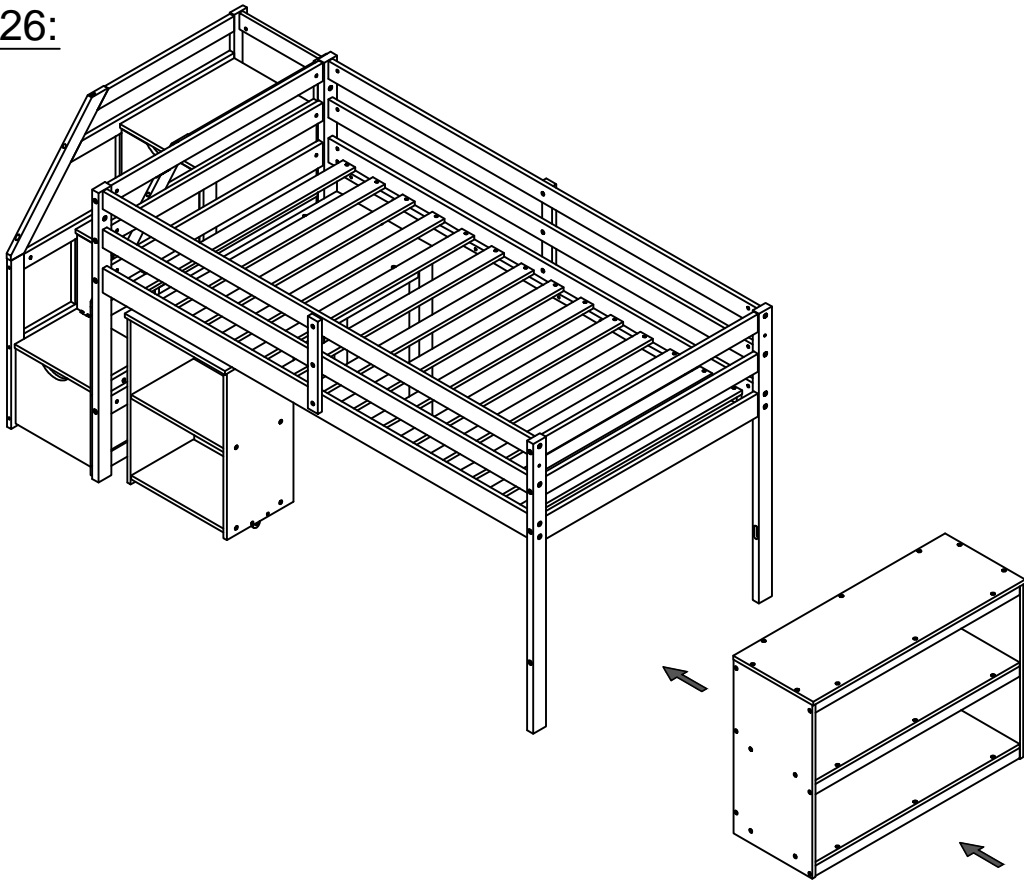
STEP 25:



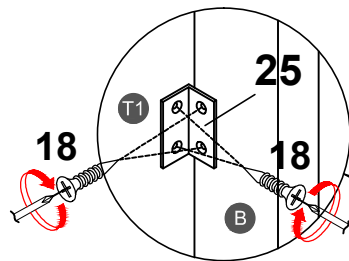
6		9	
4PCS		4PCS	
		11	
		12PCS	


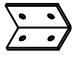


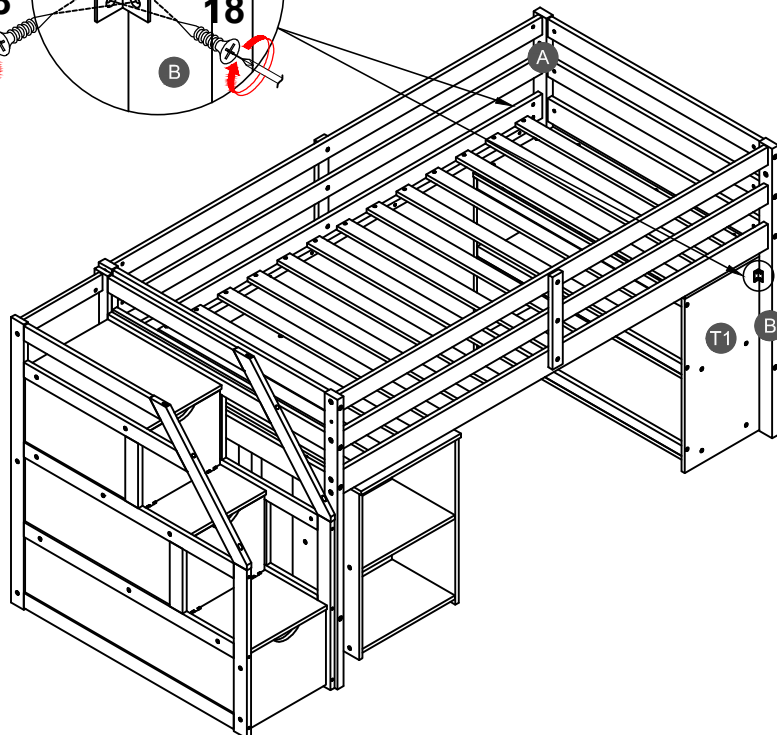
STEP 26:





STEP 27:

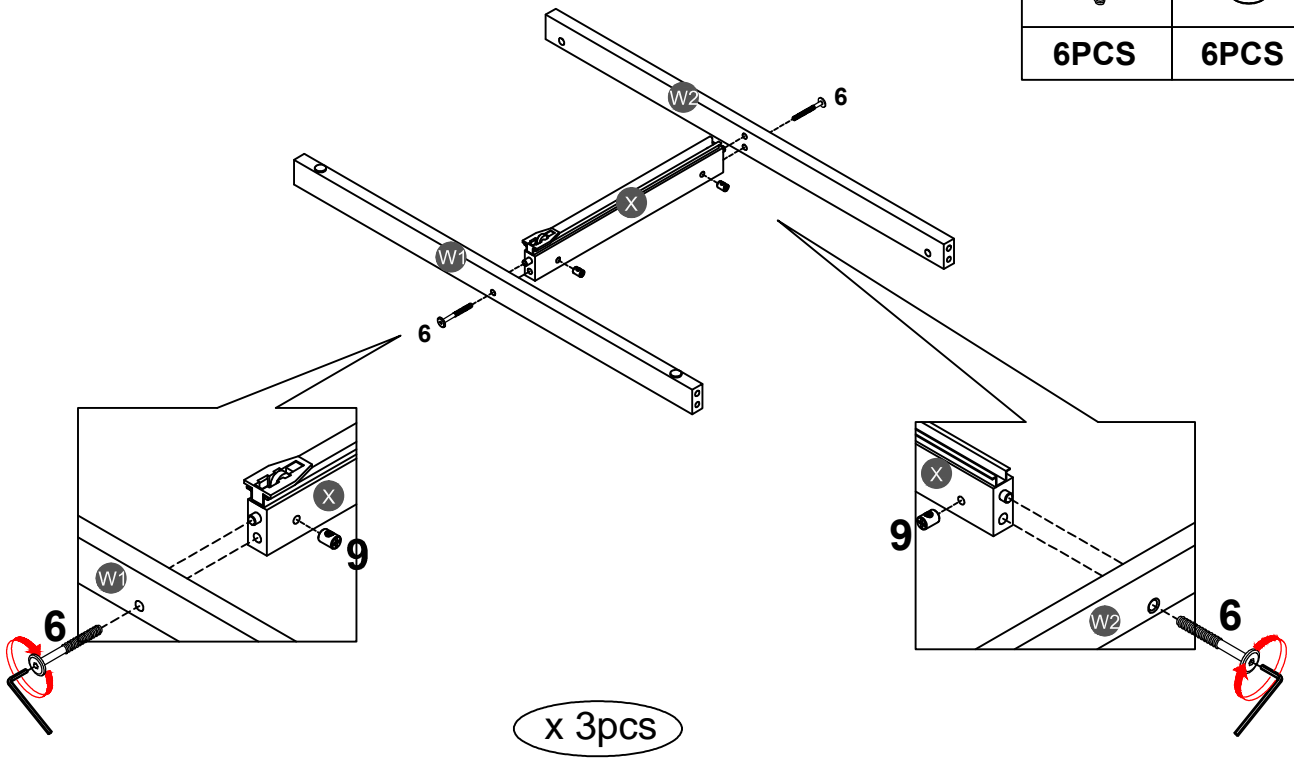


18 	25 
8PCS	2PCS






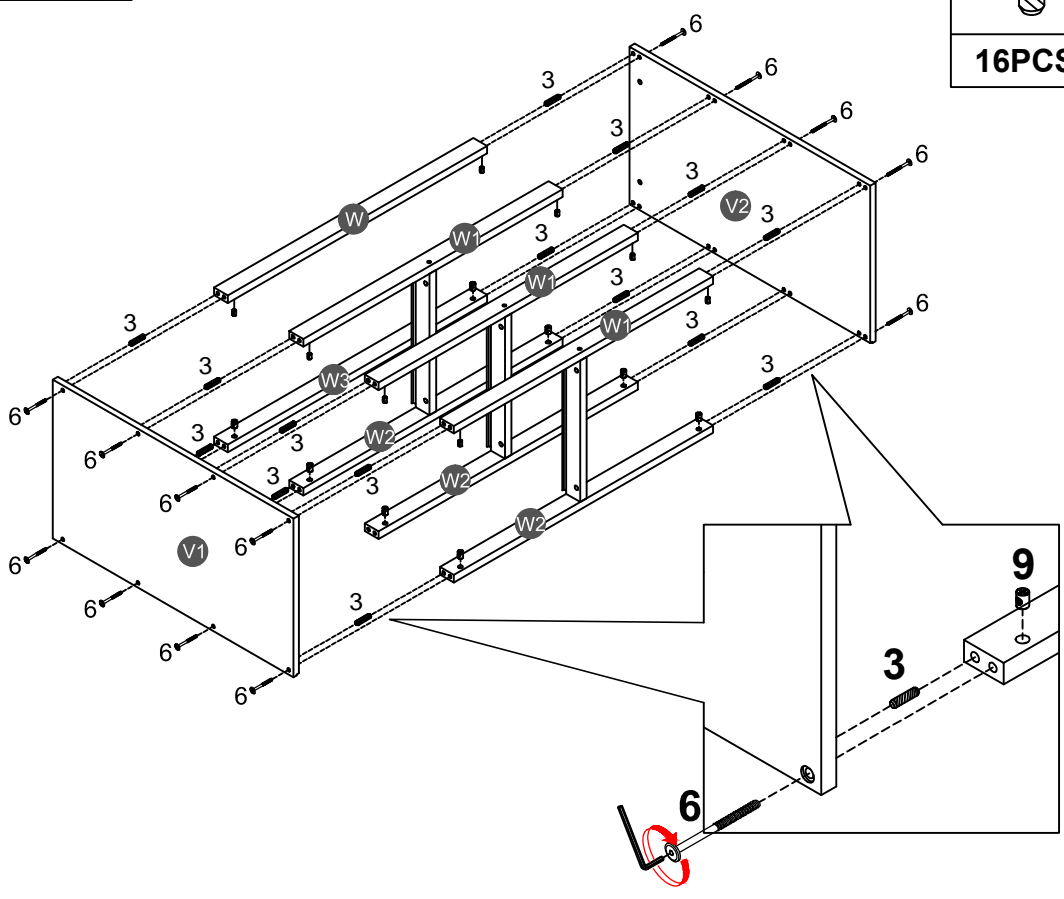
STEP 28:

6		9	
6PCS		6PCS	

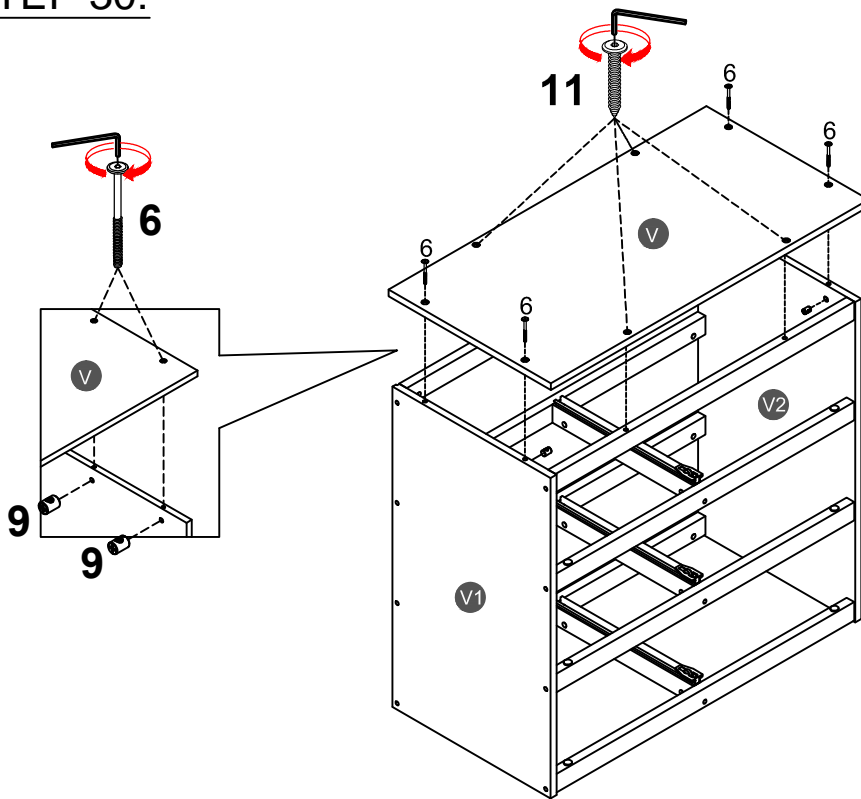





STEP 29:

3		6	
16PCS		16PCS	
		9	
		16PCS	

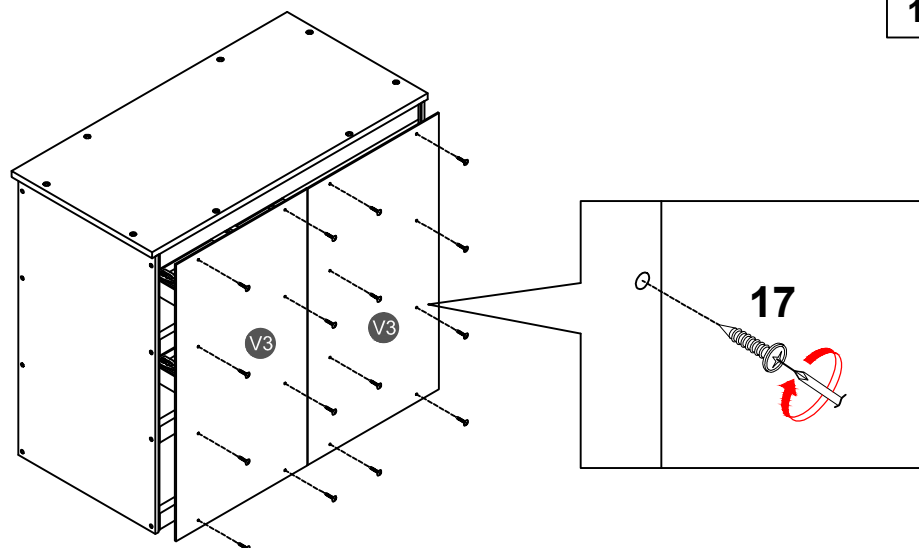



STEP 30:






6		9	
4PCS		4PCS	
		11	
		4PCS	

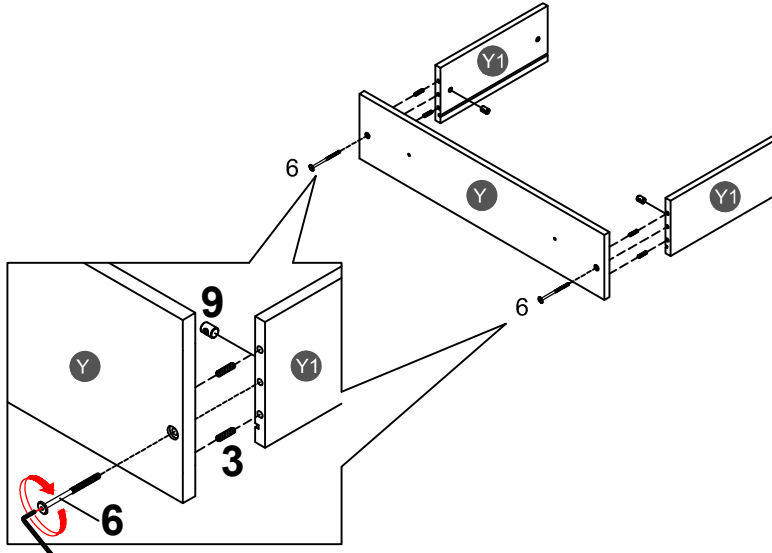
STEP 31:



17	
16PCS	




STEP 32:

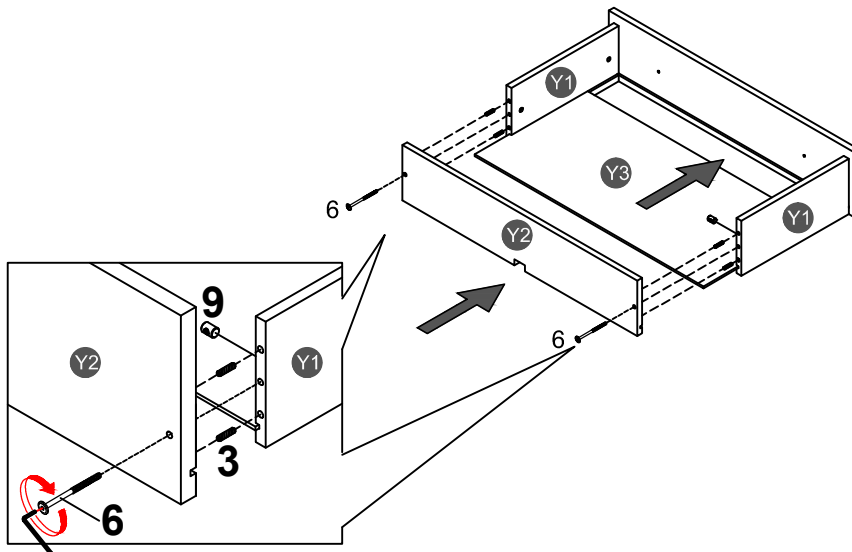
3		6		9	
12PCS		6PCS		6PCS	



x 3pcs



STEP 33:

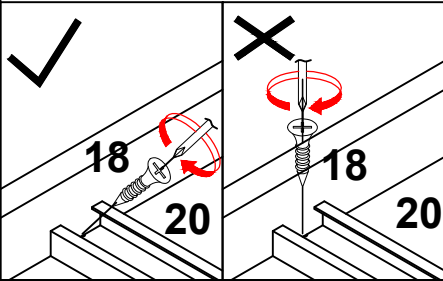
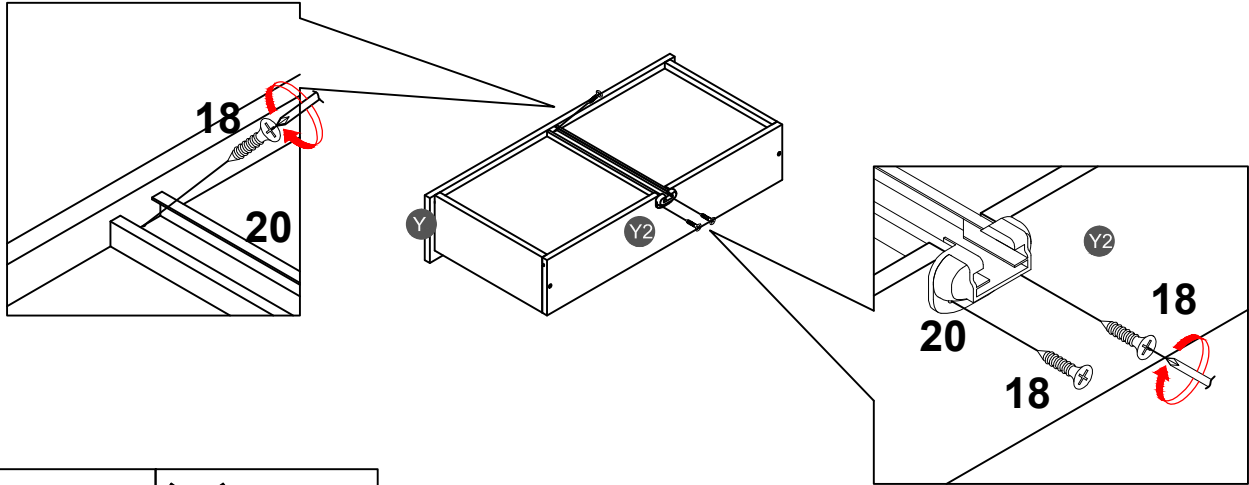
3		6		9	
12PCS		6PCS		6PCS	



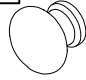

x 3pcs

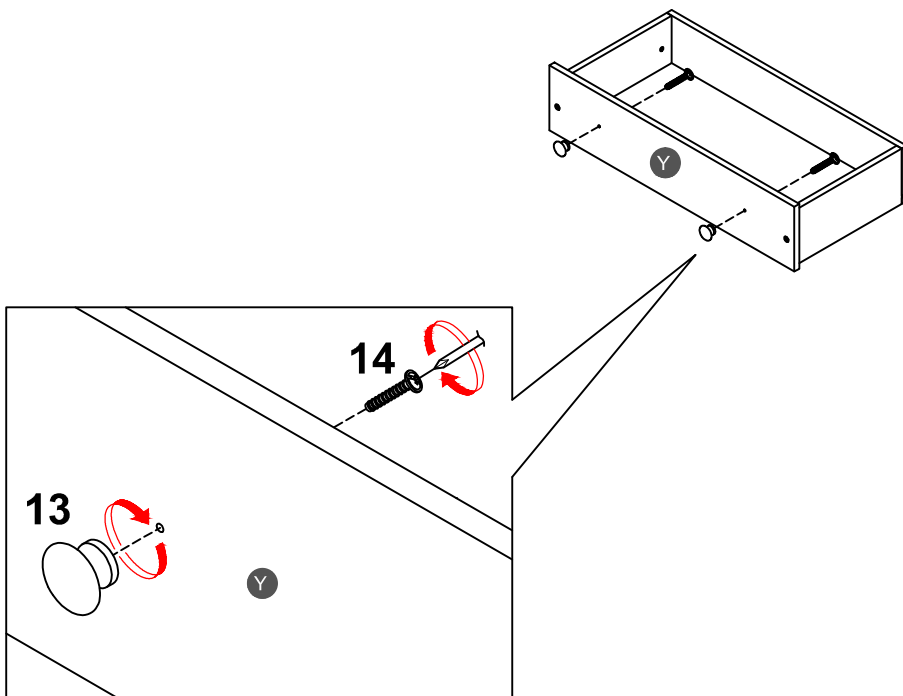
STEP 34:

18		20	
9PCS		3PCS	

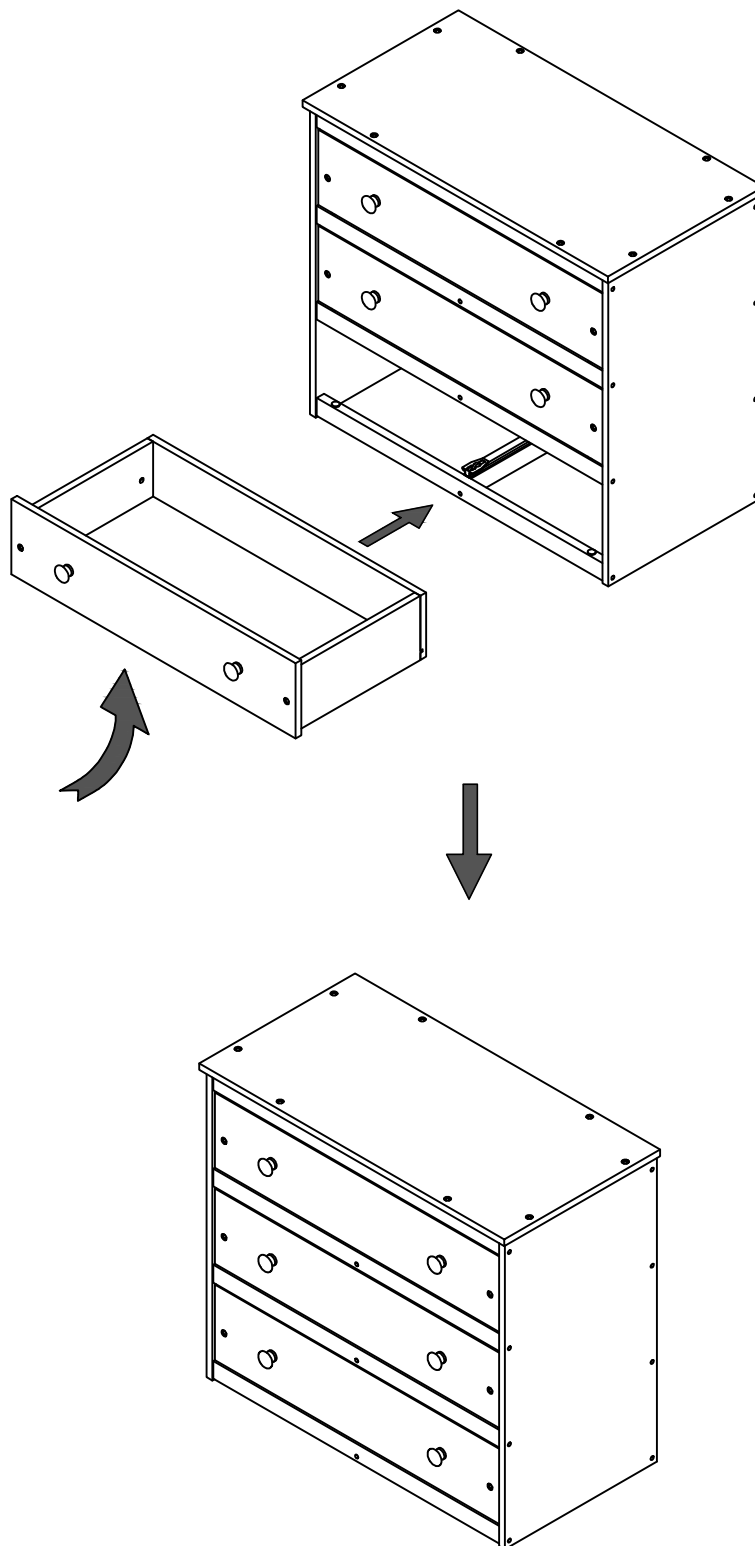


STEP 35:

13		14	
6PCS		6PCS	

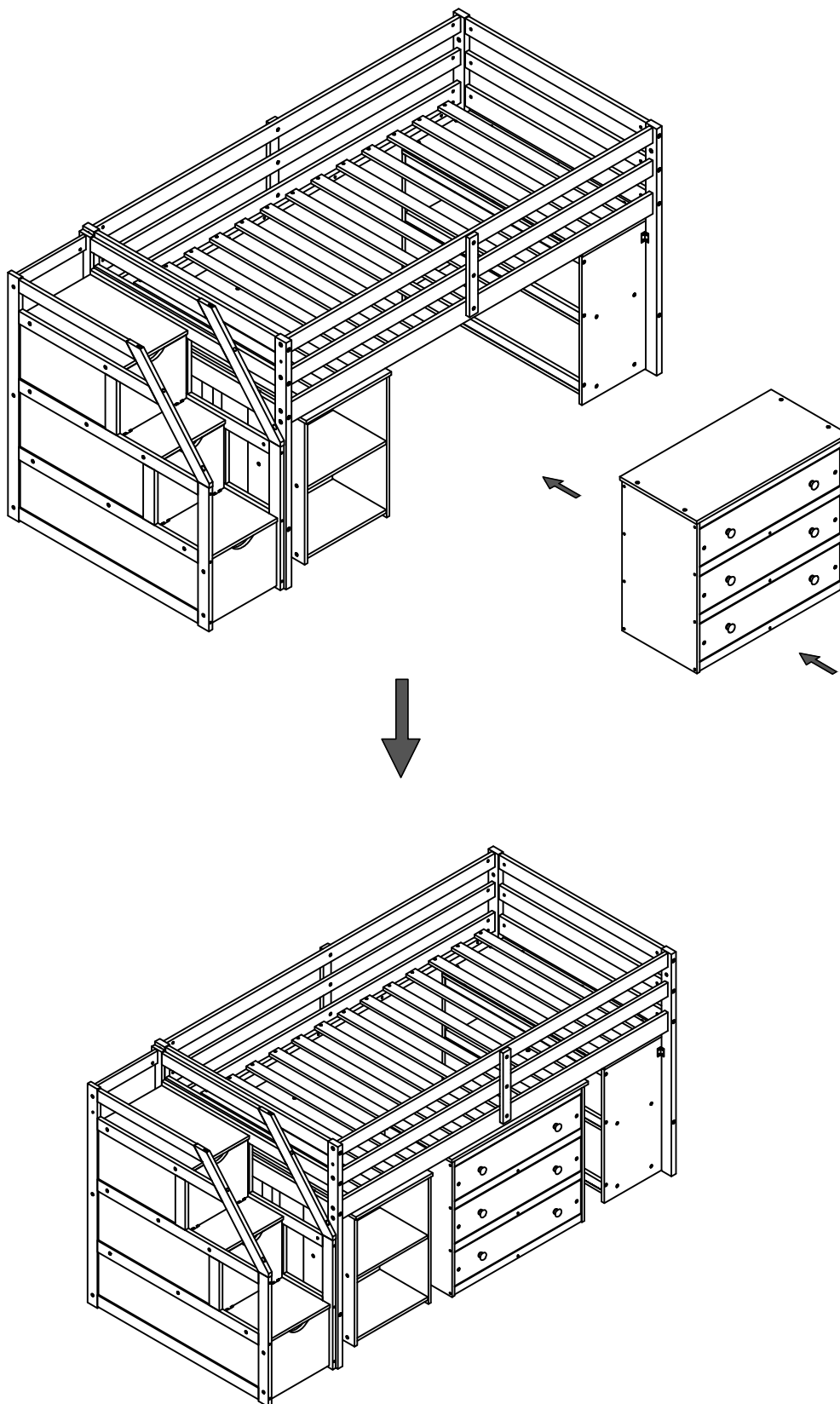


STEP 36:



Remark: When opening or closing the drawer,
Please lift the drawer slightly before opening or closing it.

STEP 37:



Make sure to tighten all the screws of the bed.