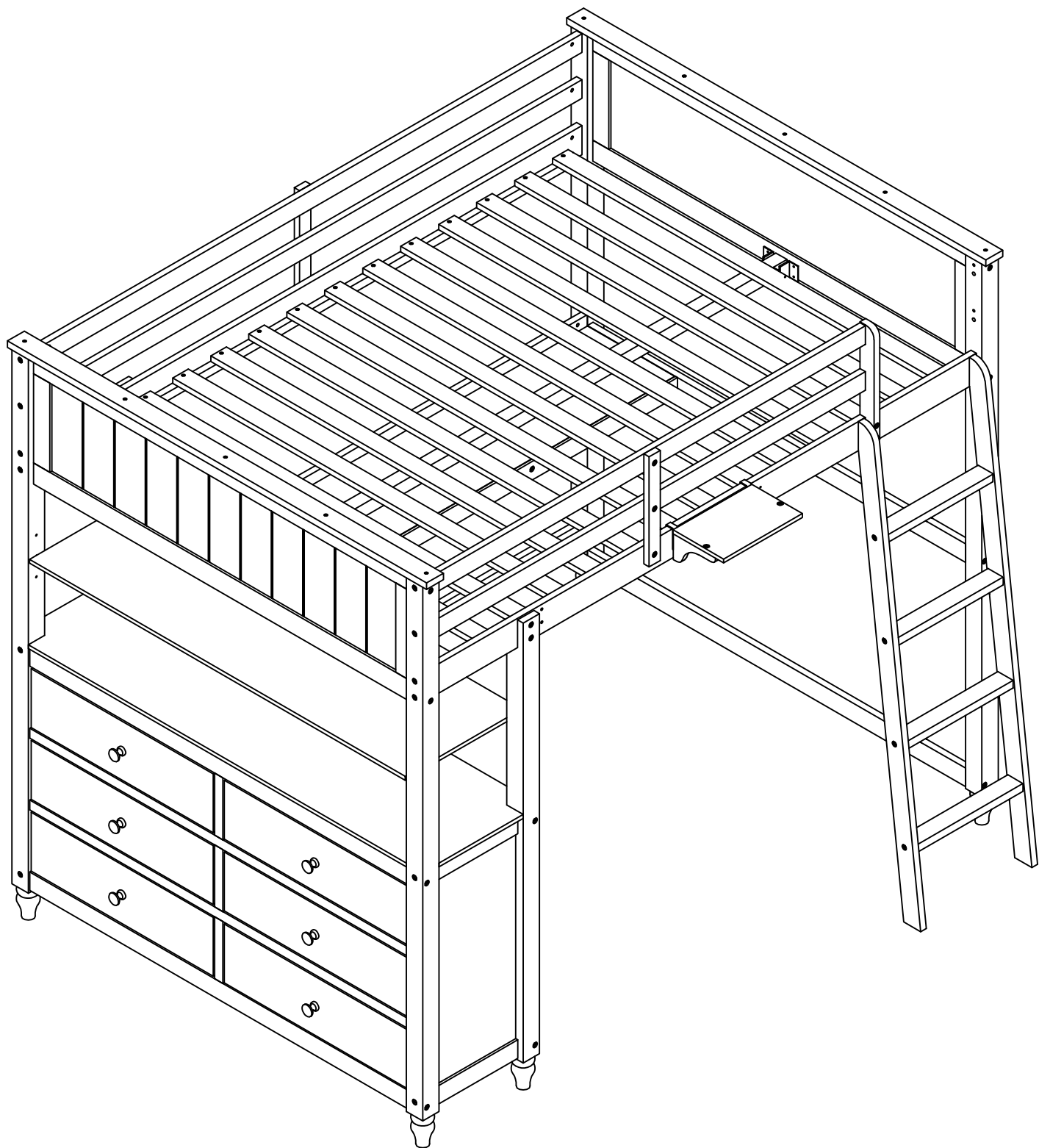


ASSEMBLY INSTRUCTION
SKU CODE: (WF311147-WF311148-WF311149)



! SAFETY WARNINGS !

1. This bed is designed for use only mattress (es) meeting the following specifications on the upper bunk, and lower bunk

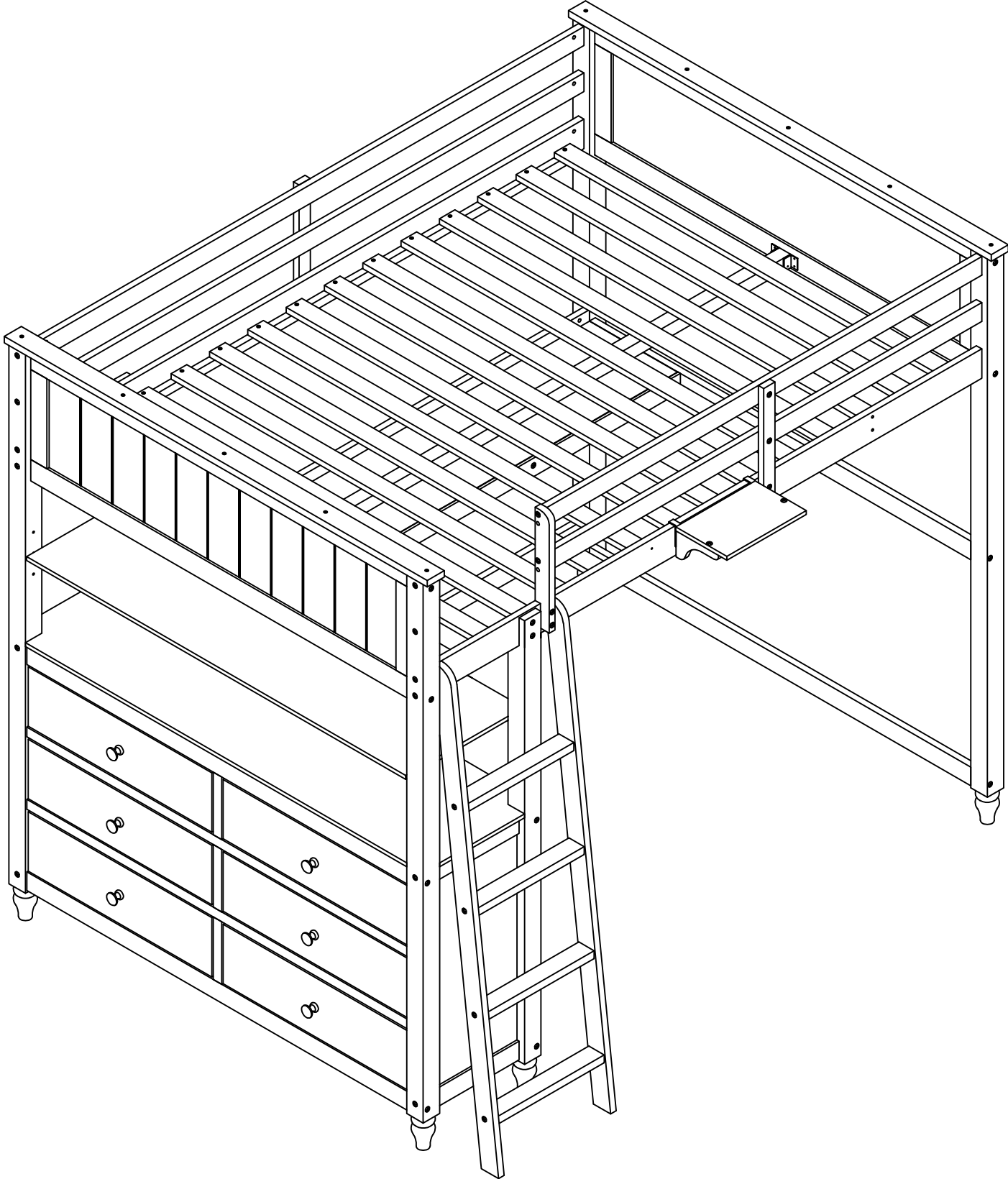
Upper bed Bed Type	Length	Width	Thickness
<i>Full Standard</i>	<i>74" - 75"</i>	<i>53 1/2"</i>	<i>6" max</i>

2. Replacement parts, including additional guardrails, maybe obtained from any of our (GIGACLOUD TECHNOLOGY (USA) INC. 18961 ARENTH AVENUE CITY OF INDUSTRY, CA, 91748) dealers
3. Follow the information on the warnings appearing on the upper bunk bed end structure and on the carton. Do not remove warning label from bed
4. Always use the recommended size mattresses or mattress supports, or both, to help prevent the likelihood of entrapment or falls.
5. Surface of mattress must be at least 5" (127mm) below the upper edge of guardrails
6. Do not allow children under 6 years of age to use the upper bunk.
7. Periodically check and ensure that the guardrail, ladder, and other components are in their proper position, free from damage, and that all connectors are tight.
8. Do not allow horseplay on or under the bed and prohibit jumping on the bed.
9. Always use the ladder for entering and leaving the upper bunk.
10. Do not use substitute part. Contact the manufacture or dealer for replacement part
11. Use of a night light may provide added safety precaution for a child using the upper bunk..
12. Always use guardrails on both long sides of the upper bunk. If the bunk bed will be placed next to the wall, the guardrail that runs the full length of the bed should be placed against the wall to prevent entrapment between the bed and wall.
13. The use of water or sleep flotation mattresses is prohibited
14. STRANGULATION HAZARD - Never attach or hang items to any part of the bunk bed that are not designed for use with the bed; for example, but not limited to, hook, belts and jump ropes
15. Keep these instruction for future reference
16. Prohibit more than one person on upper bunk
17. We recommend assembling your bunk bed on the shipping carton to protect your floor or carpet
18. Be certain all staples are out of the box before beginning assembly on the shipping carton.

OPTION 1: STAIR IN RIGHT, CHEST IN LEFT



OPTION 2: STAIR IN LEFT, CHEST IN LEFT



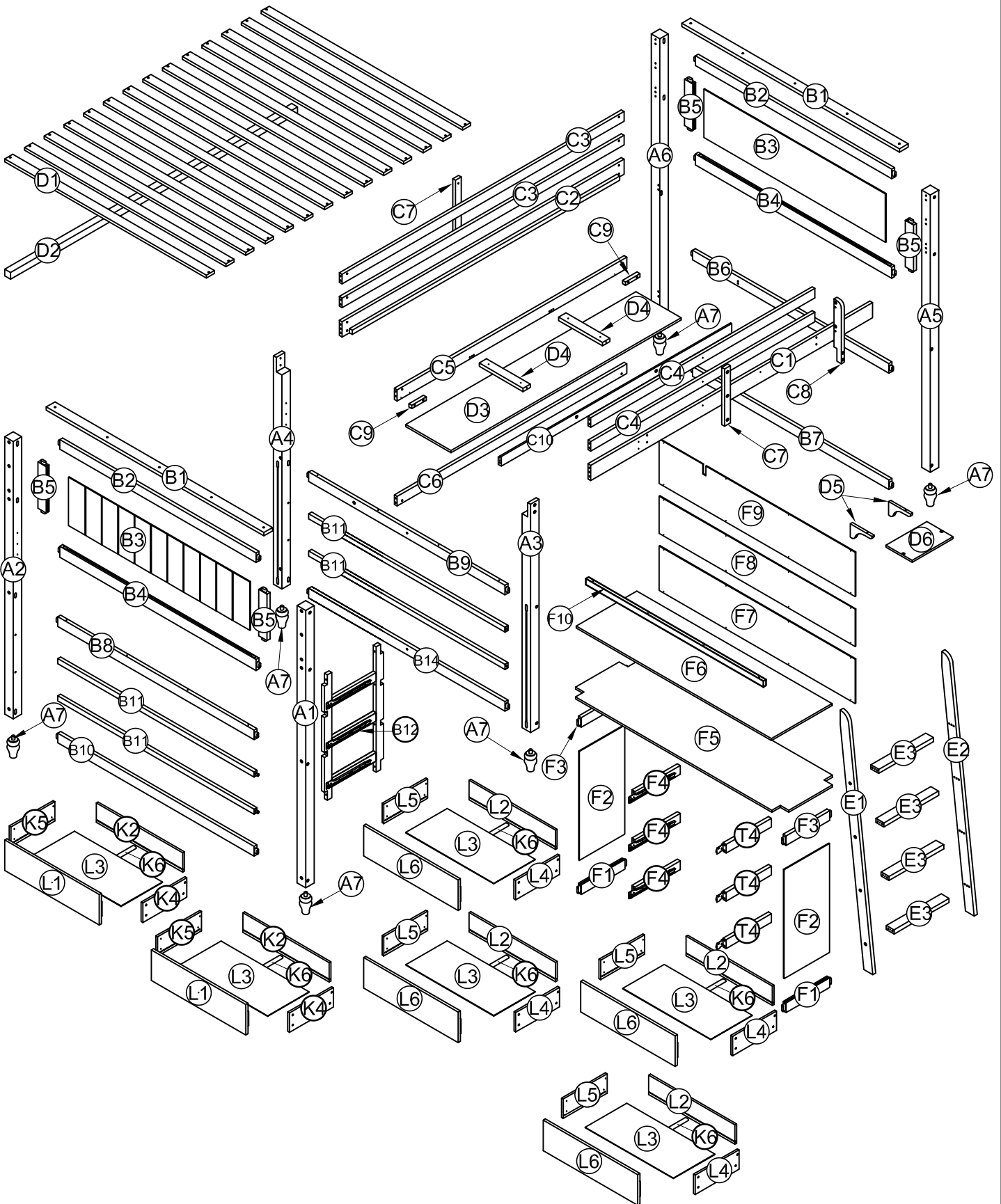
OPTION 3: STAIR IN LEFT, CHEST IN RIGHT



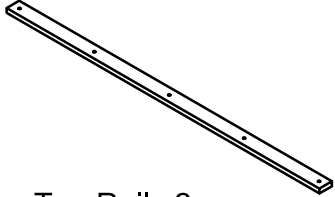
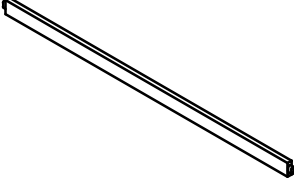
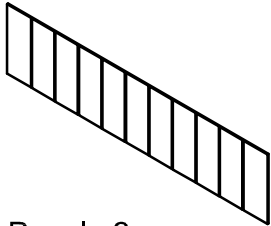
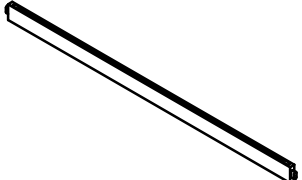



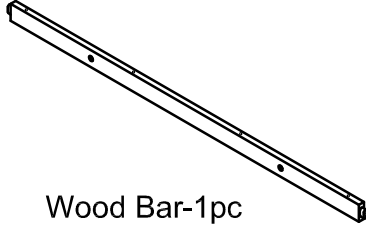


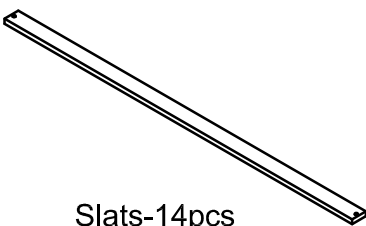
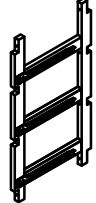


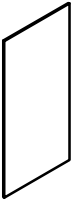
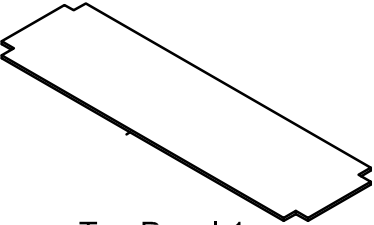
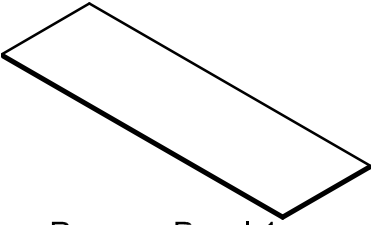
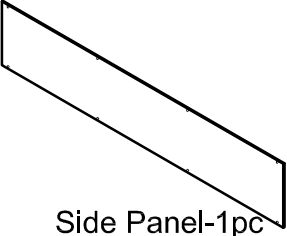
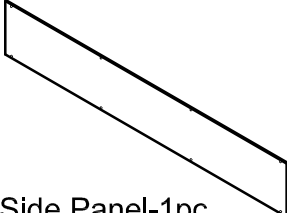
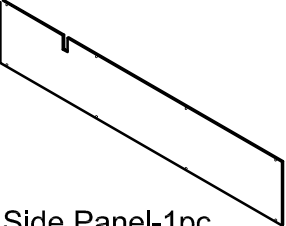
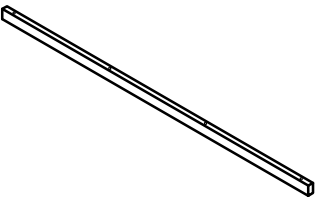
OPTION 4: STAIR IN RIGHT, CHEST IN RIGHT



ASSEMBLY INSTRUCTION

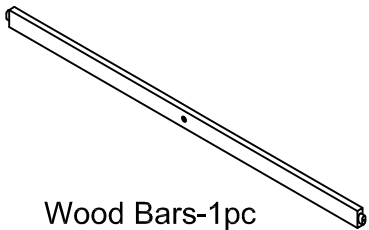


Part List(Box 1-WF311147)

<p>B1</p>  <p>Top Rails-2pcs</p>	<p>B2</p>  <p>Wood Bars-2pcs</p>	<p>B3</p>  <p>Panels-2pcs</p>
<p>B4</p>  <p>Wood Bars-2pcs</p>	<p>B6</p>  <p>Wood Bar-1pc</p>	<p>B7</p>  <p>Wood Bar-1pc</p>
<p>B8</p>  <p>Wood Bar-1pc</p>	<p>B9</p>  <p>Wood Bar-1pc</p>	<p>B10</p>  <p>Wood Bars-1pc</p>
<p>B11</p>  <p>Rails-4pcs</p>	<p>D1</p>  <p>Slats-14pcs</p>	<p>B12</p>  <p>Center frame- 1pc</p>
<p>E1</p>  <p>Side Stair-1pc</p>	<p>E2</p>  <p>Side Stair-1pc</p>	<p>F2</p>  <p>Panels-2pcs</p>
<p>F5</p>  <p>Top Panel-1pc</p>	<p>F6</p>  <p>Remove Panel-1pc</p>	<p>F7</p>  <p>Side Panel-1pc</p>
<p>F8</p>  <p>Side Panel-1pc</p>	<p>F9</p>  <p>Side Panel-1pc</p>	<p>F10</p>  <p>Support Remove panels-1pc</p>








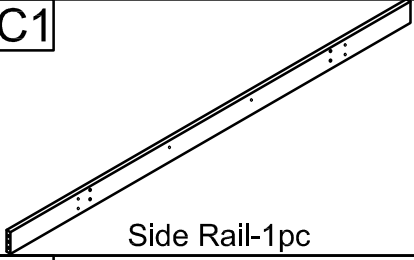
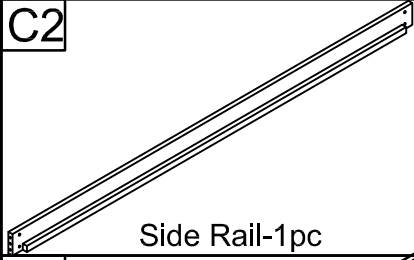
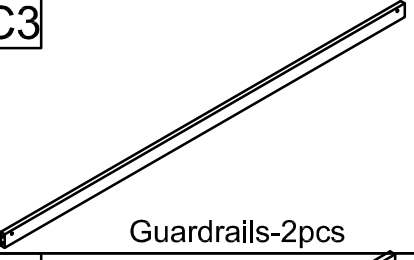

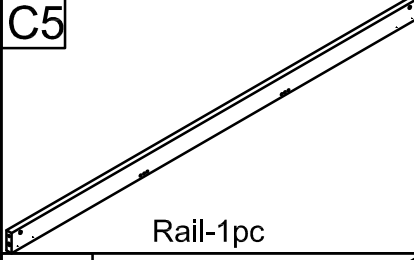
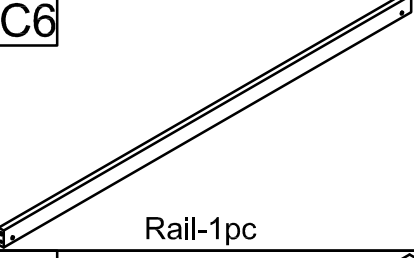
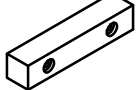
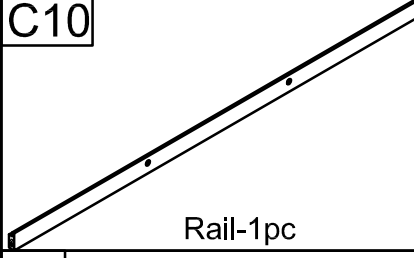
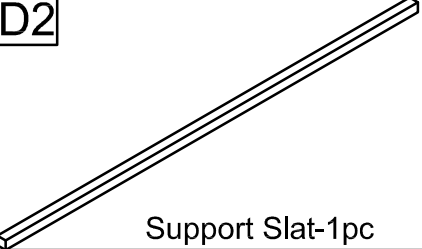
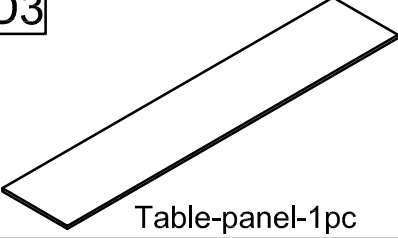
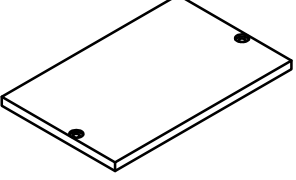
Part List(Box 1-WF311147)

B14


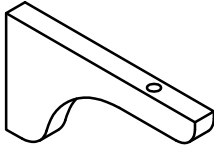


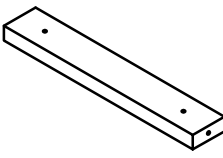
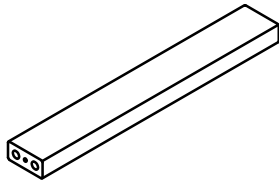
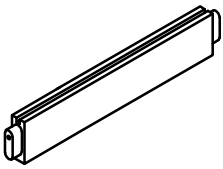
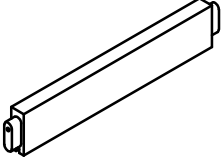
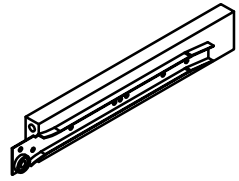
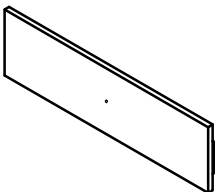
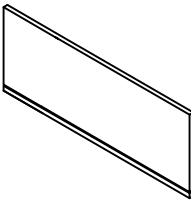
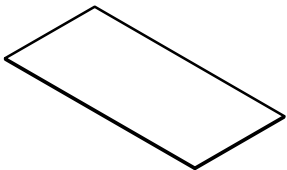
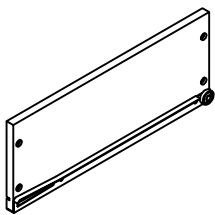
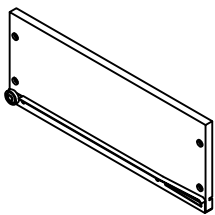
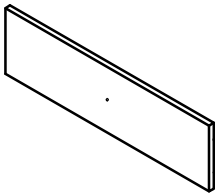
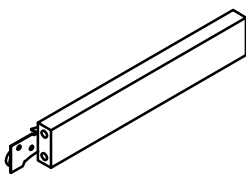
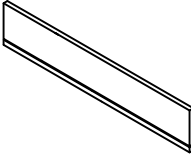
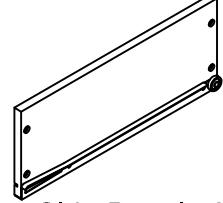
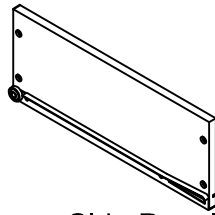
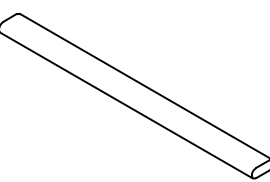


Wood Bars-1pc


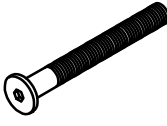
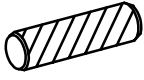
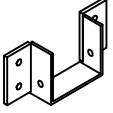
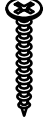
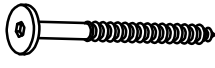





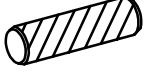
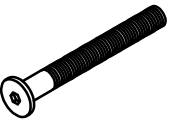






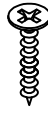

Part List & Hardware List (Box 2-WF311148)

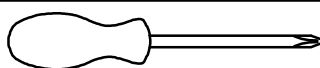
<p>A1</p>  <p>Leg-1pc</p>	<p>A2</p>  <p>Leg-1pc</p>	<p>A3</p>  <p>Leg-1pc</p>
<p>A4</p>  <p>Leg-1pc</p>	<p>A5</p>  <p>Leg-1pc</p>	<p>A6</p>  <p>Leg-1pc</p>
<p>A7</p>  <p>Legs-6pcs</p>	<p>C1</p>  <p>Side Rail-1pc</p>	<p>C2</p>  <p>Side Rail-1pc</p>
<p>C3</p>  <p>Guardrails-2pcs</p>	<p>C4</p>  <p>Guardrails-2pcs</p>	<p>C5</p>  <p>Rail-1pc</p>
<p>C6</p>  <p>Rail-1pc</p>	<p>C9</p>  <p>Clients-2pcs</p>	<p>C10</p>  <p>Rail-1pc</p>
<p>D2</p>  <p>Support Slat-1pc</p>	<p>D3</p>  <p>Table-panel-1pc</p>	<p>D6</p>  <p>Panel-1pc</p>

Part List(Box 3-WF311149)

<p>B5</p>  <p>Wood Bars-4pcs</p>	<p>D5</p>  <p>Panels-2pcs</p>	<p>C7</p>  <p>Rails-2pcs</p>
<p>C8</p>  <p>Rail-1pc</p>	<p>D4</p>  <p>Rails-2pcs</p>	<p>E3</p>  <p>Step Stairs-4pcs</p>
<p>F1</p>  <p>Wood Bars-2pcs</p>	<p>F3</p>  <p>Wood Bars-2pcs</p>	<p>F4</p>  <p>Wood Bars-3pcs</p>
<p>L1</p>  <p>Drawer-Front Panels-2pcs</p>	<p>L2</p>  <p>Drawer-Back Panels-4pcs</p>	<p>L3</p>  <p>Drawer-Bottom Panels-6pcs</p>
<p>L4</p>  <p>Drawer-Side Panels-4pcs</p>	<p>L5</p>  <p>Drawer-Side Panels-4pcs</p>	<p>L6</p>  <p>Drawer-Front Panels-4pcs</p>
<p>T4</p>  <p>Wood Bars-3pcs</p>	<p>K2</p>  <p>Drawer-Back Panels-3pcs</p>	<p>K4</p>  <p>Drawer-Side Panels-2pcs</p>
<p>K5</p>  <p>Drawer-Side Panels-2pcs</p>	<p>K6</p>  <p>Wood Bars-6pcs</p>	

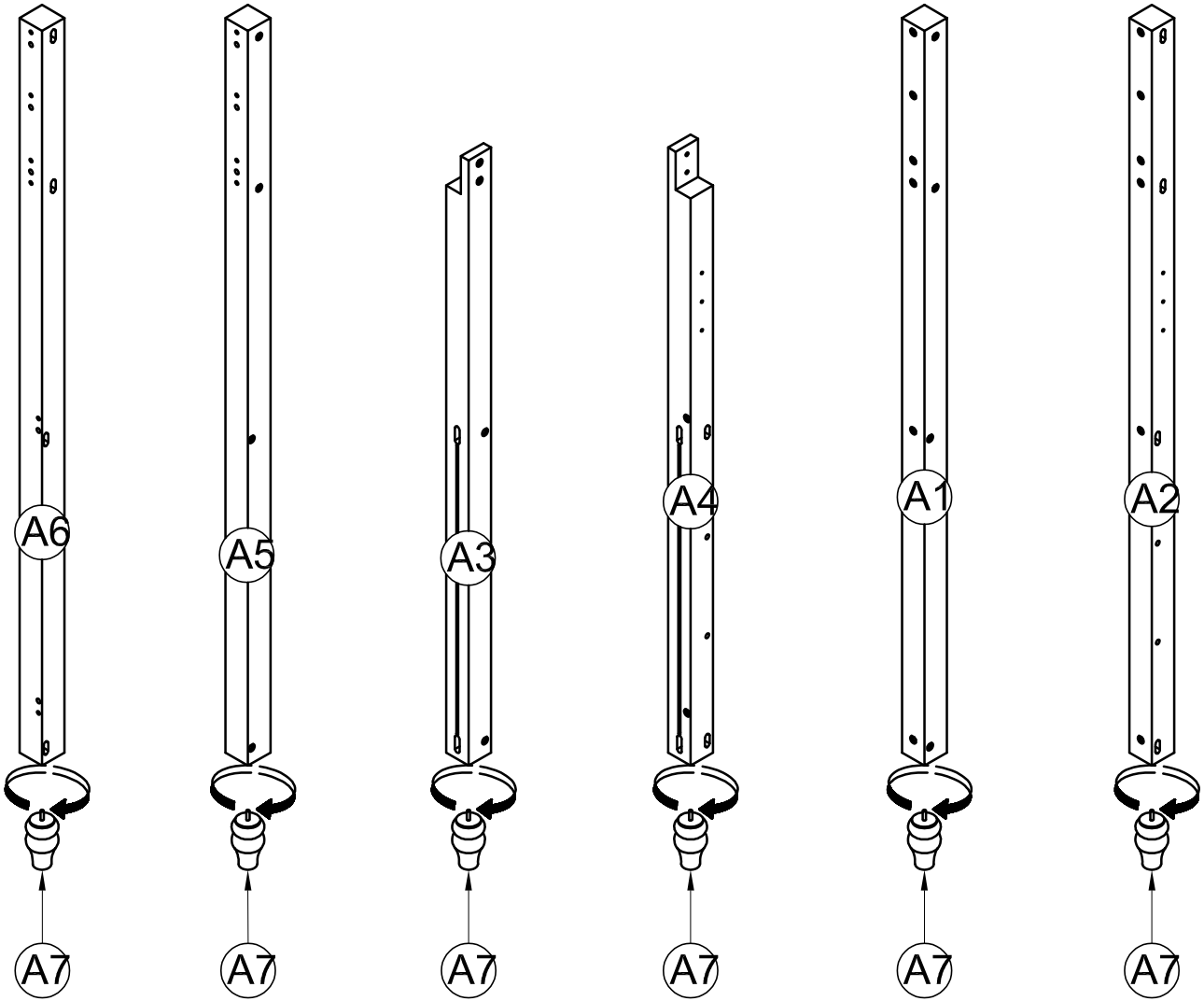
Hardware List(Box 2-WF311148)

<p>1</p>  <p>M4 x 20 mm Wood Screws 18pcs</p>	<p>2</p>  <p>Ø1/4" x 40 mm Hex-Head bolts 8pcs</p>	<p>3</p>  <p>Ø10 x 40 mm Wood dowel 42pcs</p>
<p>4</p>  <p>Steel Bracket 2pc</p>	<p>5</p>  <p>M4 x 30 mm Wood Screws 100pcs</p>	<p>6</p>  <p>Screws 1/4" x 30 10pcs</p>
<p>7</p>  <p>Ø1/4" x 60 mm Hex-Head bolts 2pcs</p>	<p>8</p>  <p>Ø1/4" x 13 mm Horizontal-Hole bolts 48pcs</p>	<p>9</p>  <p>Ø1/4" x 35 mm Hex-Head bolts 4pcs</p>
<p>10</p>  <p>Ø1/4" x 15 mm Canopy head though -2pcs</p>	<p>11</p>  <p>Screws 1/4" x 50 14pcs</p>	<p>12</p>  <p>Ø8 x 30 mm Wood dowel 28pcs</p>
<p>13</p>  <p>Ø1/4" x 100 mm Hex-Head bolts 46pcs</p>	<p>14</p>  <p>Dowel Remove Shelves 4pcs</p>	<p>15</p>  <p>M4 x 15 mm Wood Screws 24pcs</p>
<p>16</p>  <p>Bracket 4 pcs</p>	<p>17</p>  <p>Ø1/6" x 25 mm Hex-Head bolts 6pcs</p>	<p>18</p>  <p>Handle Wood 6pcs</p>
<p>19</p>  <p>M4 x 40 mm Wood Screws 12pcs</p>	<p>20</p>  <p>Screw M3.5x12 mm 10pcs</p>	<p>21</p>  <p>Allen Key 1pc</p>

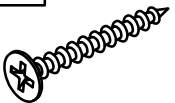
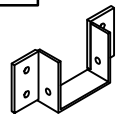


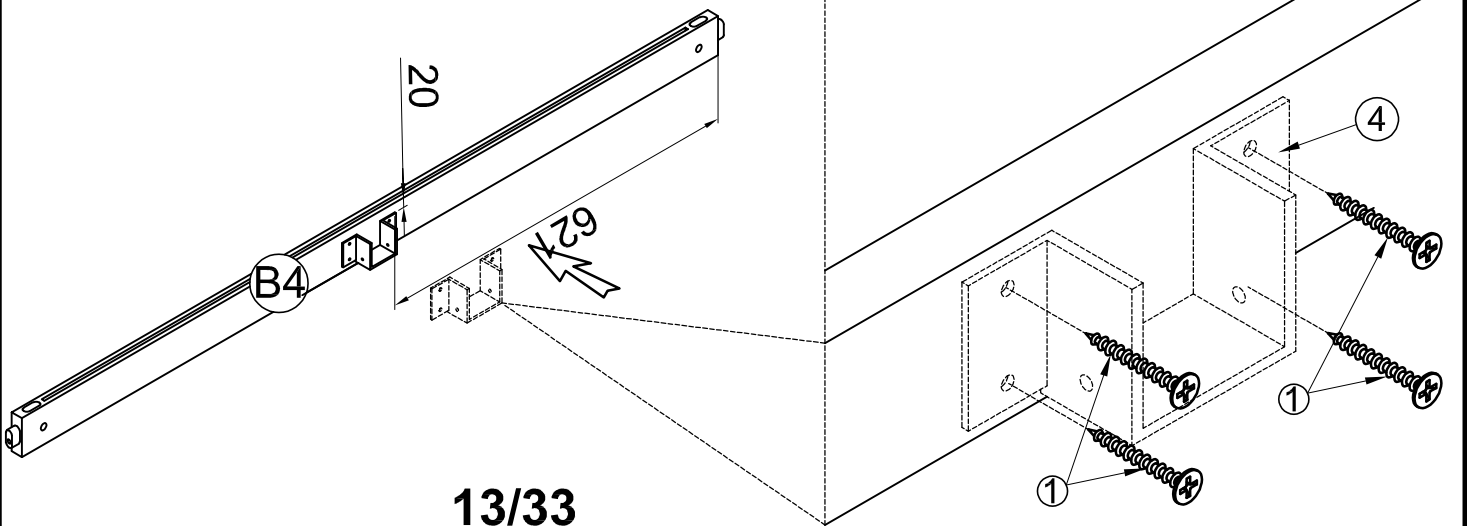
Assembly Tools Required (Not Included)

STEP 1: Following below illustration. .

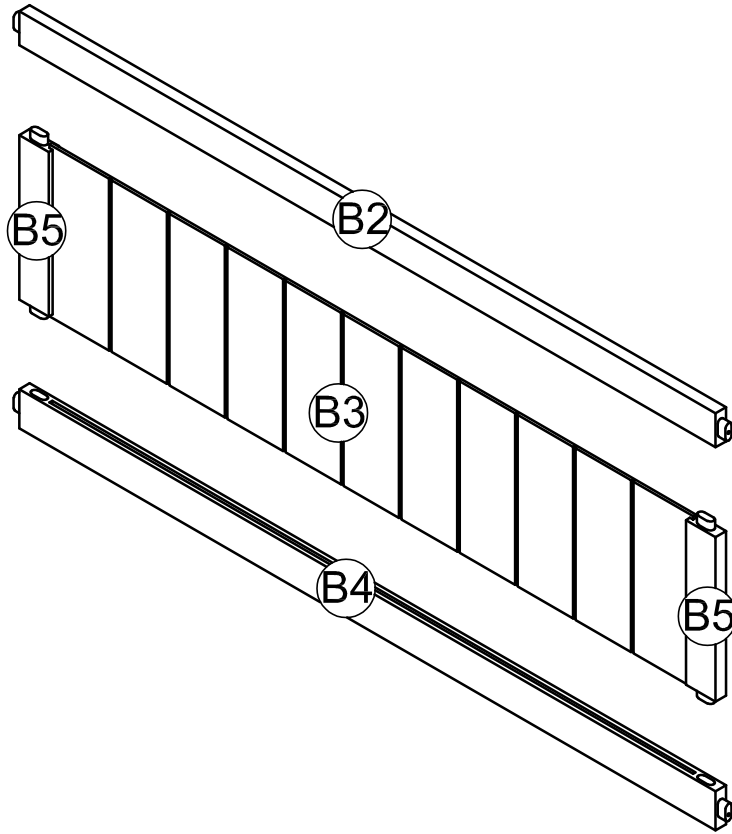


STEP 2x2: Following below illustration.

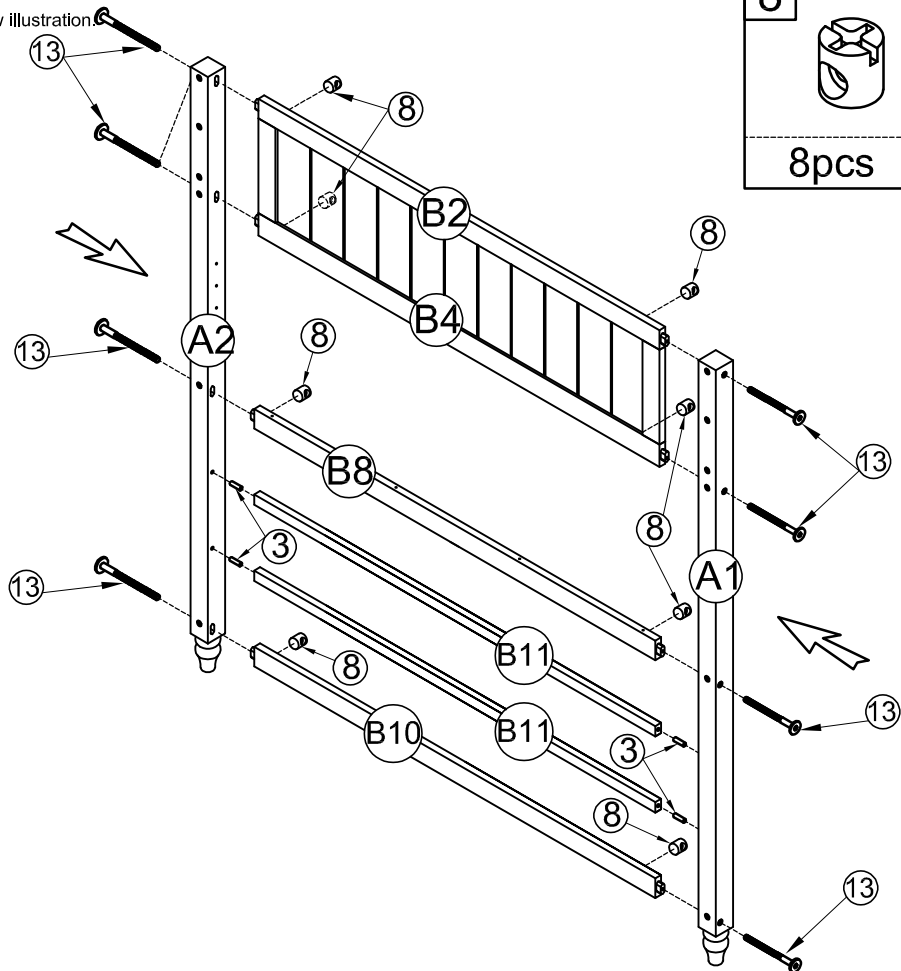
1	4
	
8pcs	2pcs


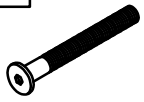



STEP 3: Following below illustration.

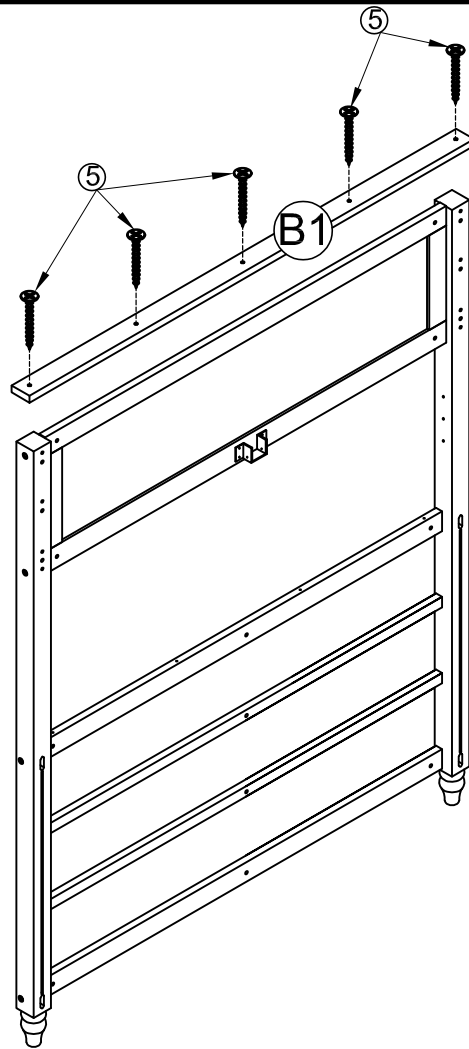


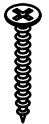
STEP 4: Following below illustration.



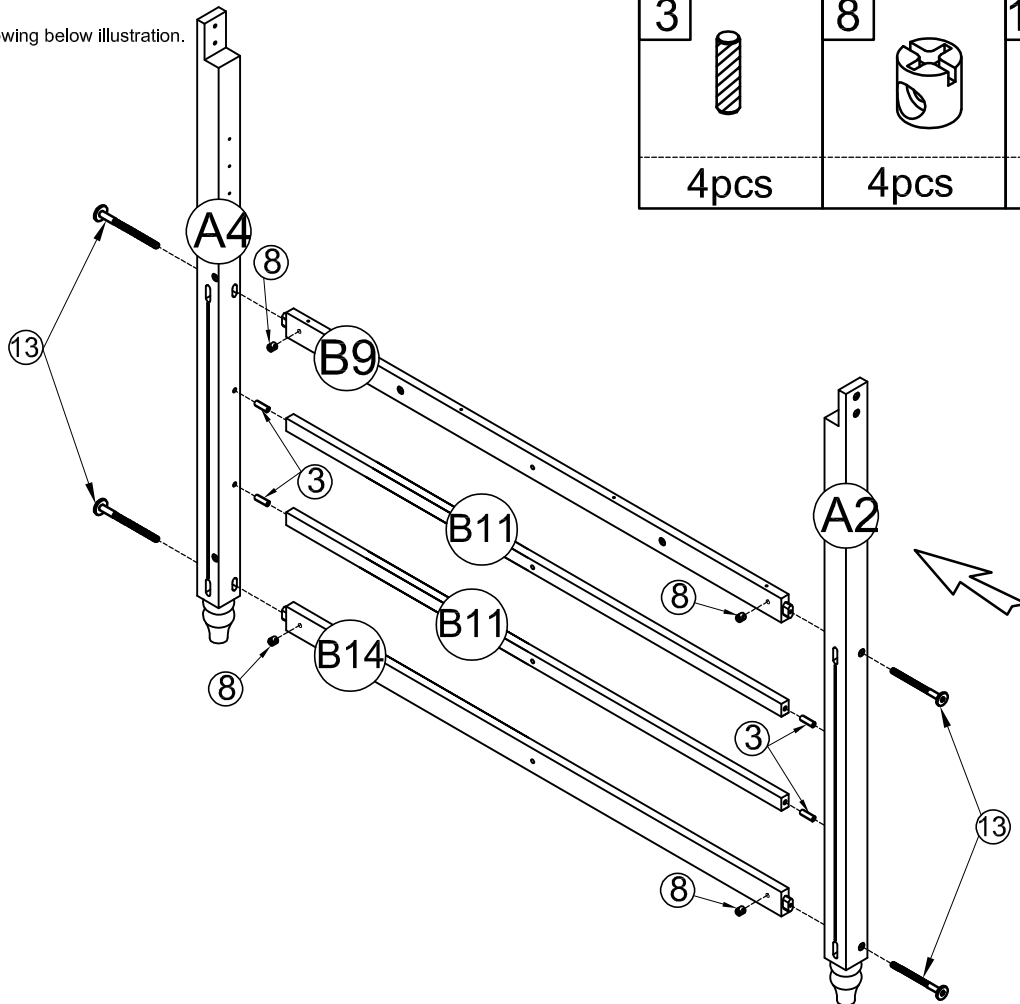
8		13	
8pcs		8pcs	
		3	
		4pcs	



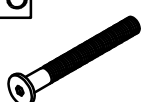
STEP 5: Following below illustration.






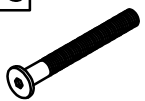
5	
5pcs	

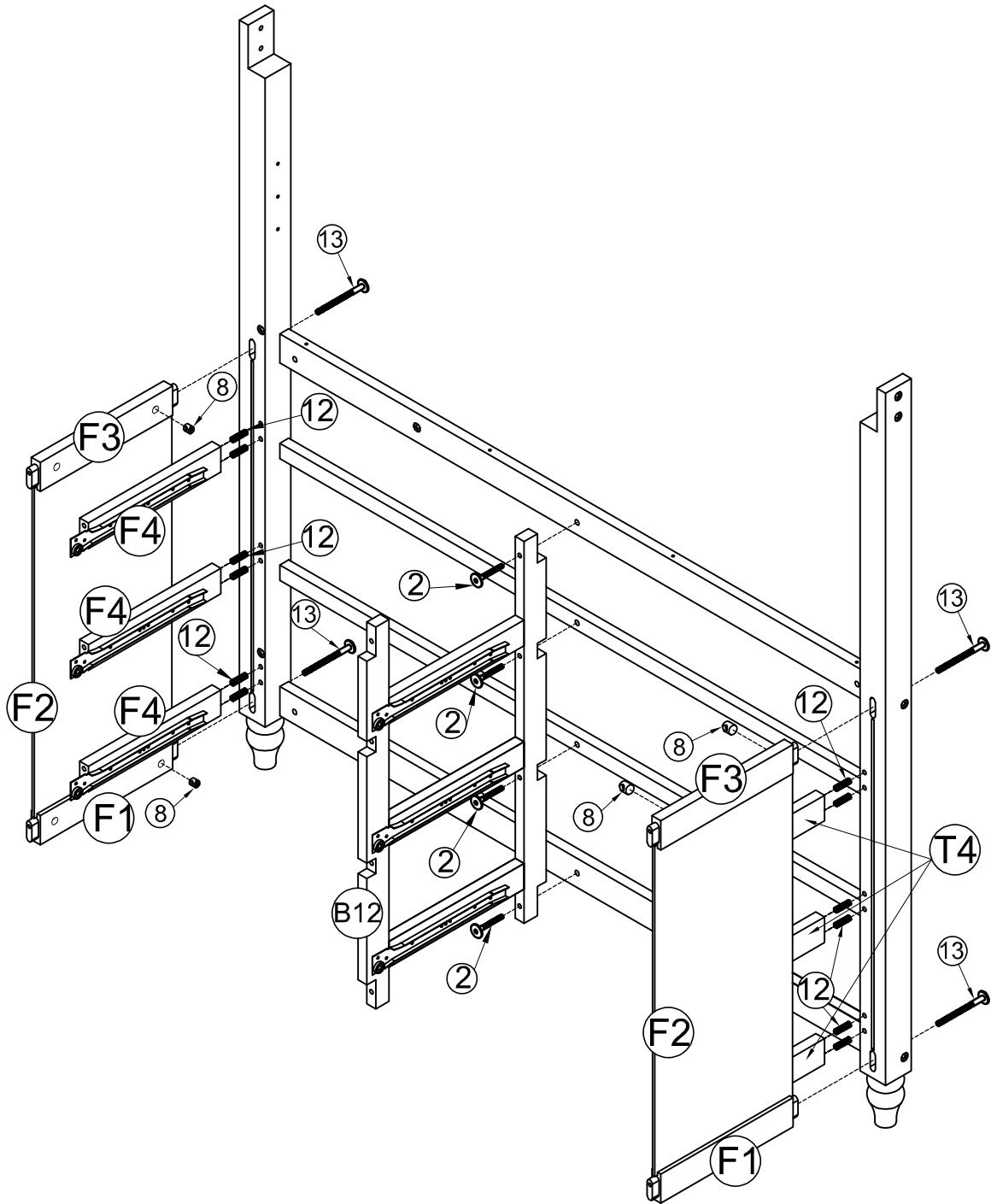
STEP 6: Following below illustration.






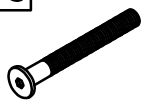
3		8		13	
4pcs		4pcs		4pcs	

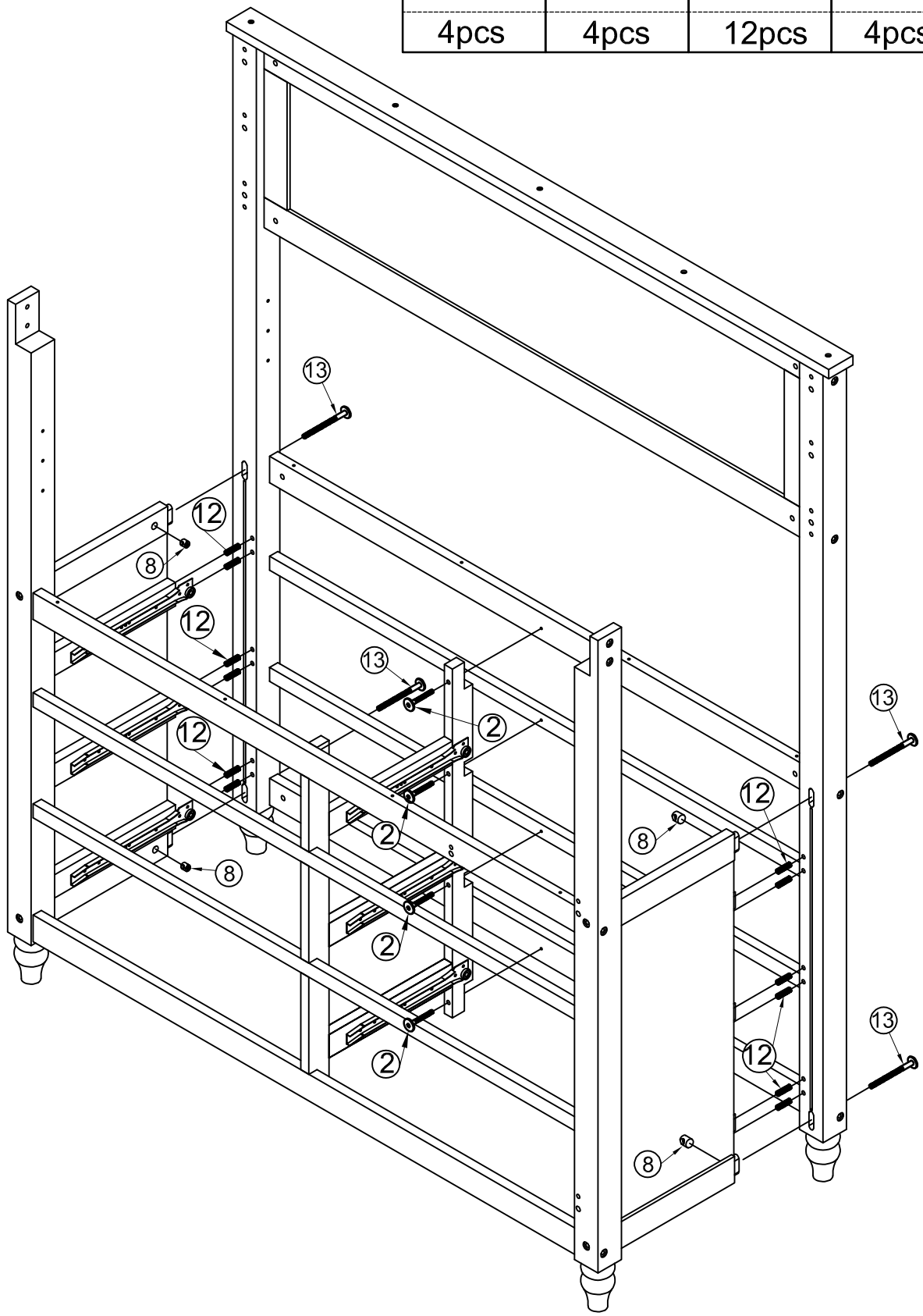
STEP 7: Following below illustration.

8		2		12		13	
4pcs		4pcs		12pcs		4pcs	



STEP 8: Following below illustration.

8	2	12	13
			
4pcs	4pcs	12pcs	4pcs

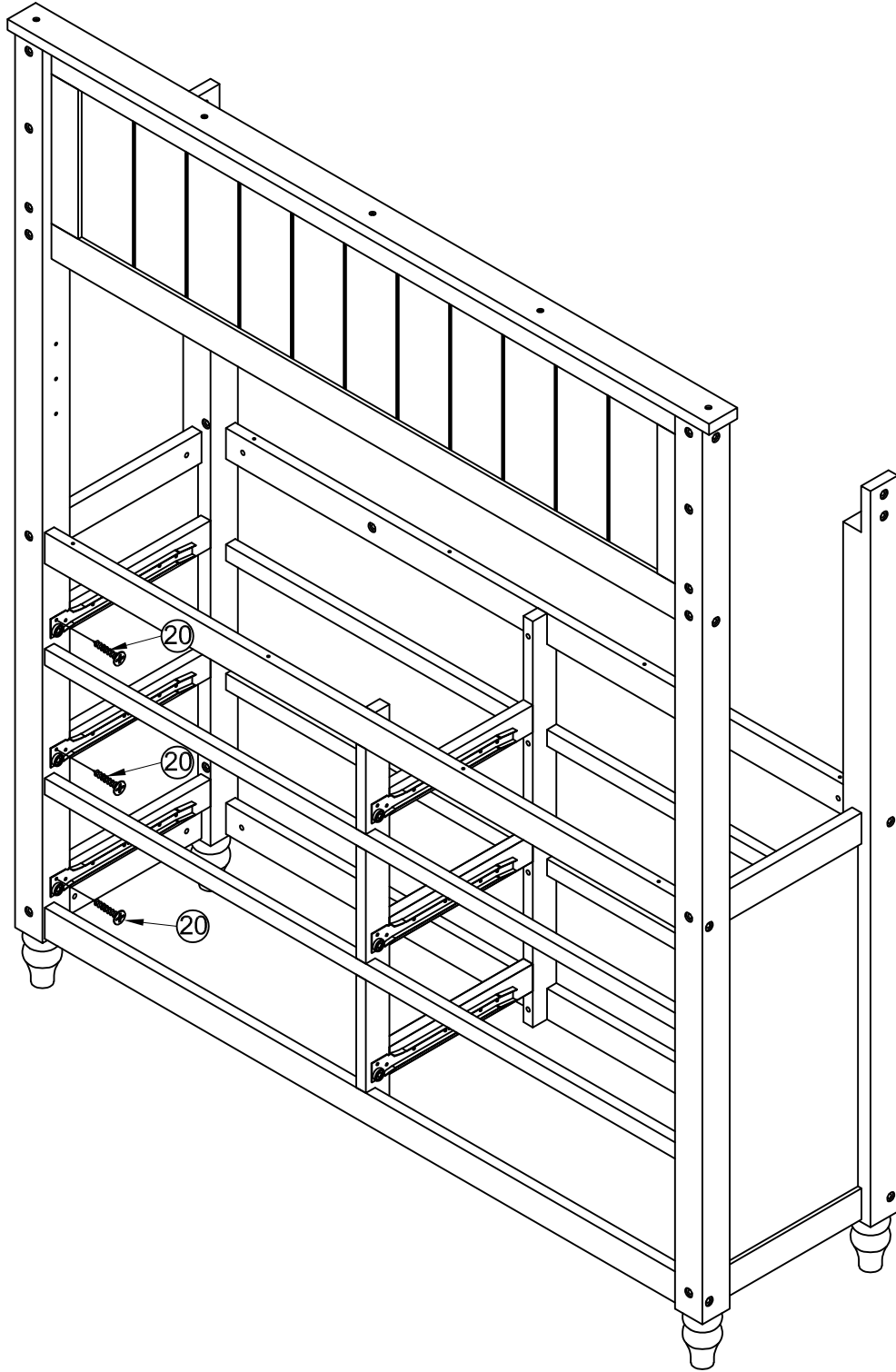


STEP 9: Following below illustration.

20



3pcs

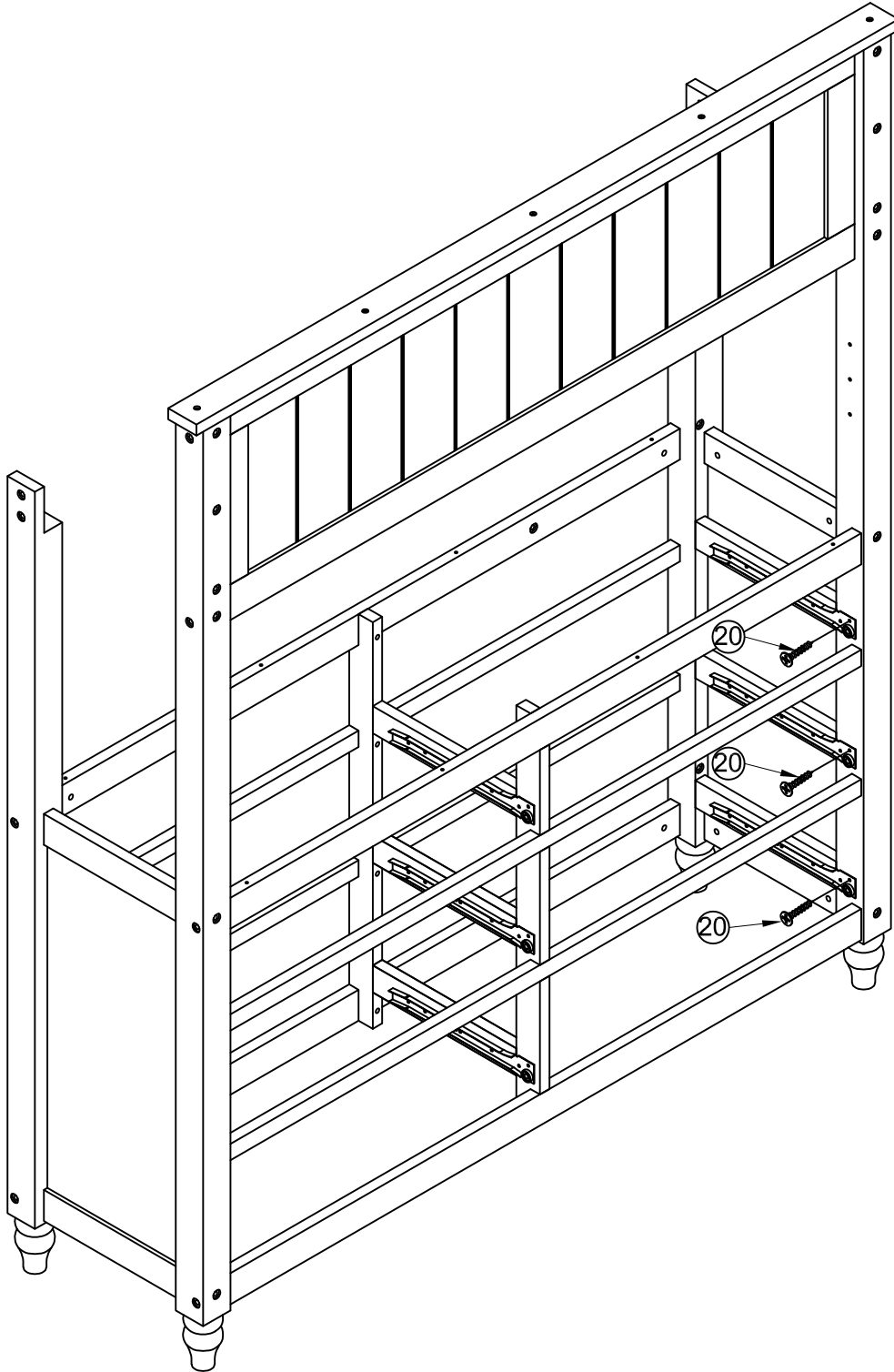


STEP 10: Following below illustration.




20

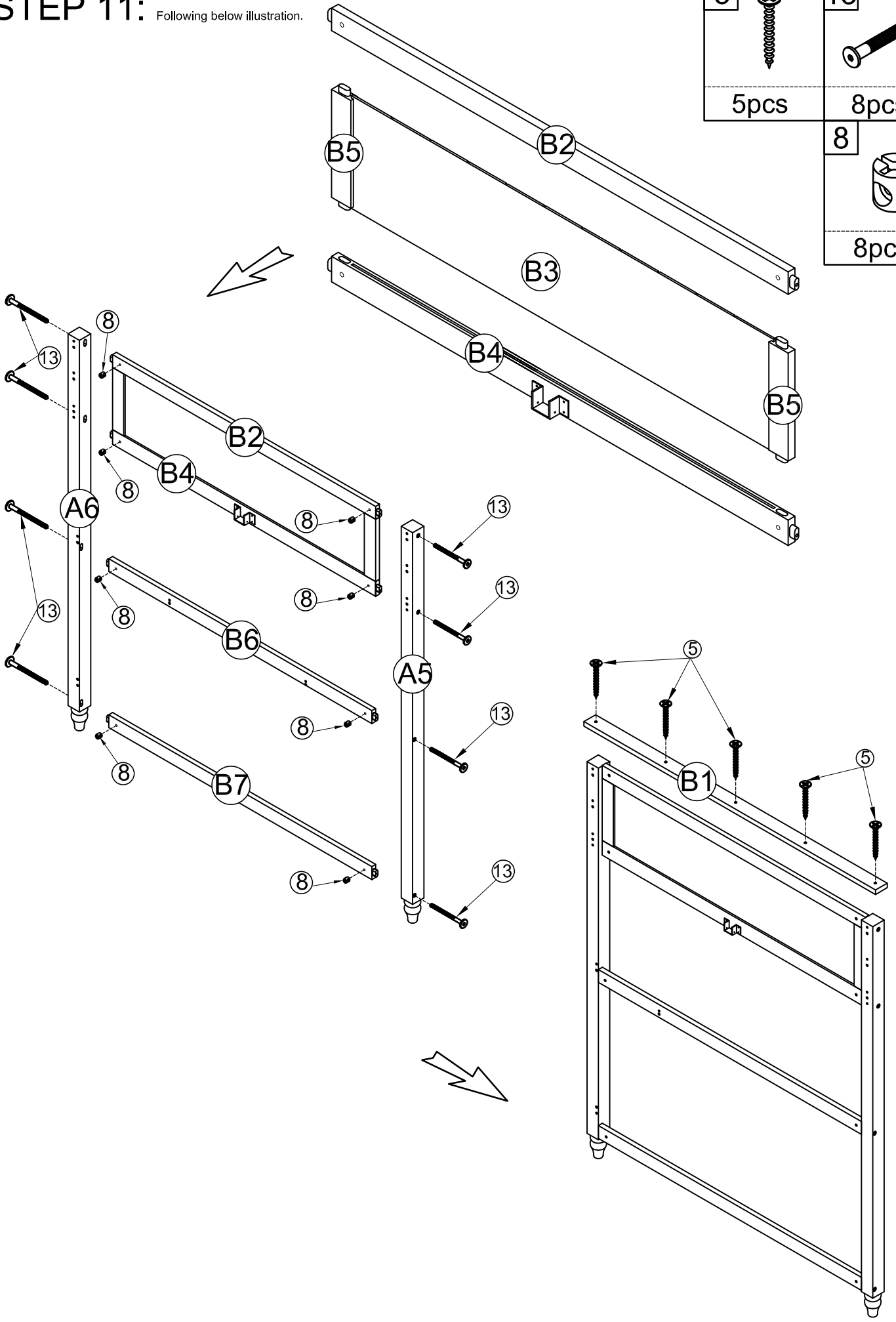


3pcs




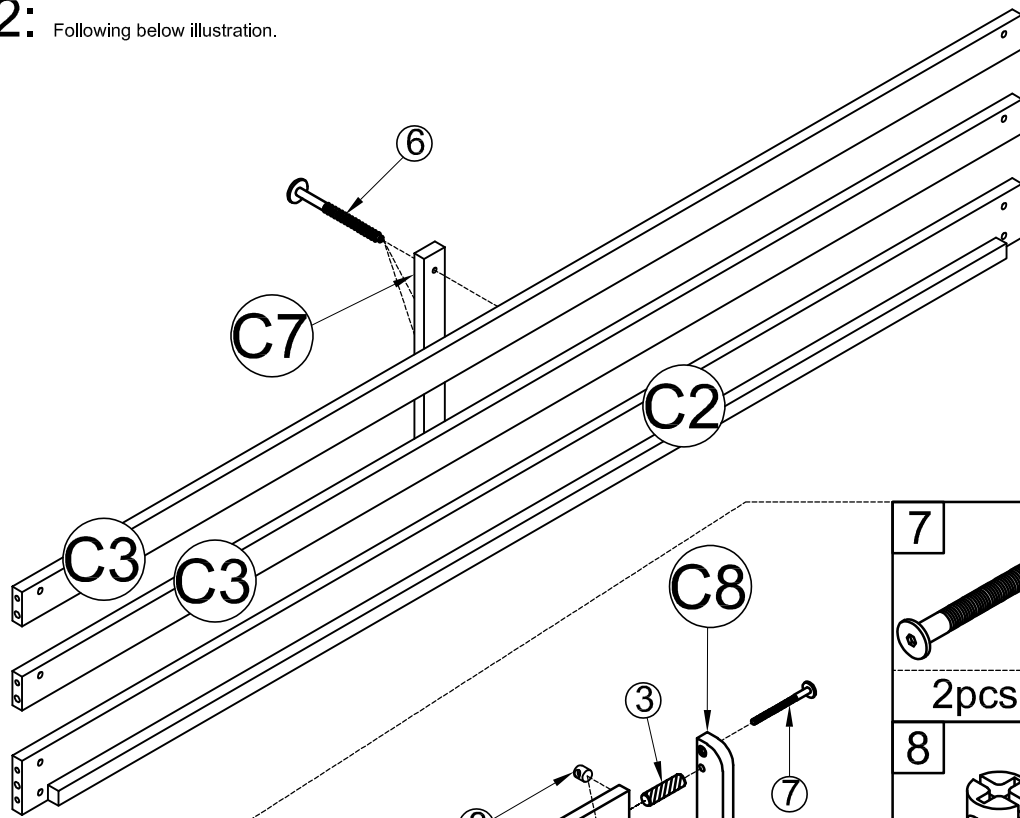
STEP 11: Following below illustration.

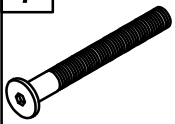
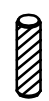




5		13	
5pcs		8pcs	
		8	
		8pcs	



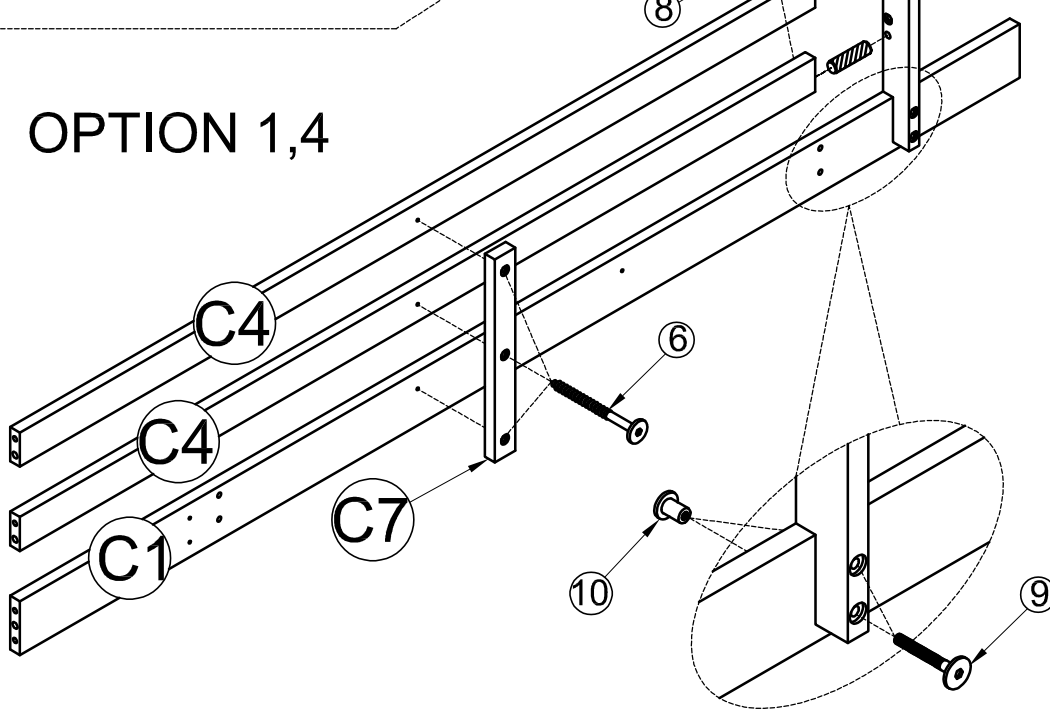
STEP 12: Following below illustration.

6	
3pcs	



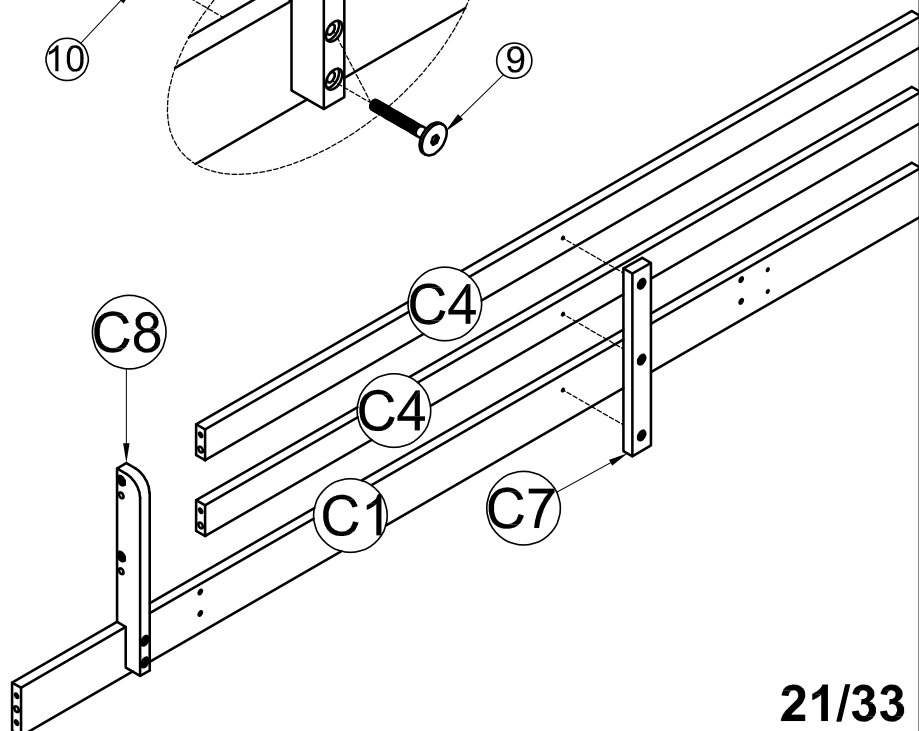
7		3	
2pcs		2pcs	
8		6	
2pcs		3pcs	
10		9	
2pcs		2pcs	

OPTION 1,4

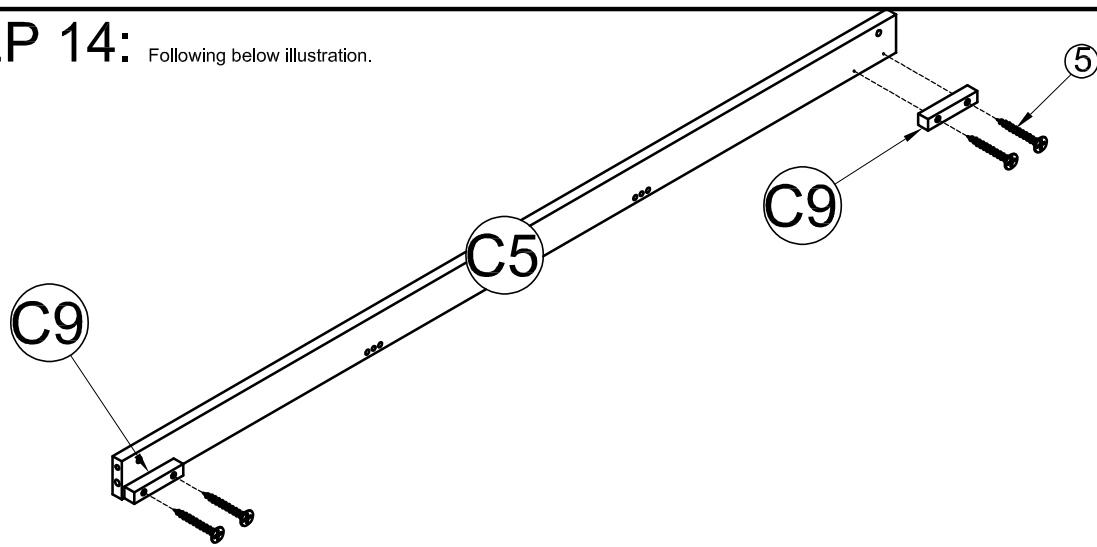



STEP 13: Following below illustration.

OPTION 2,3

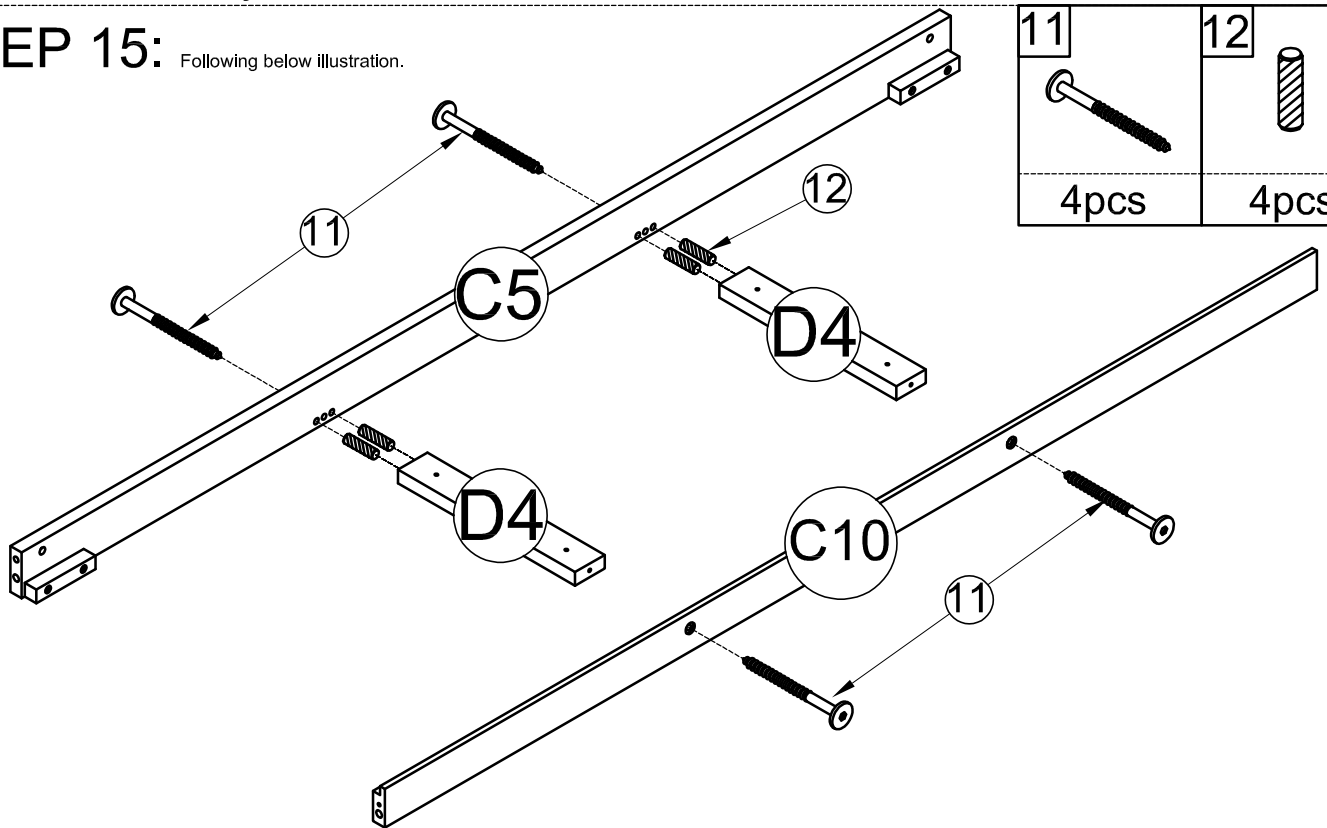



STEP 14: Following below illustration.




5	
4pcs	

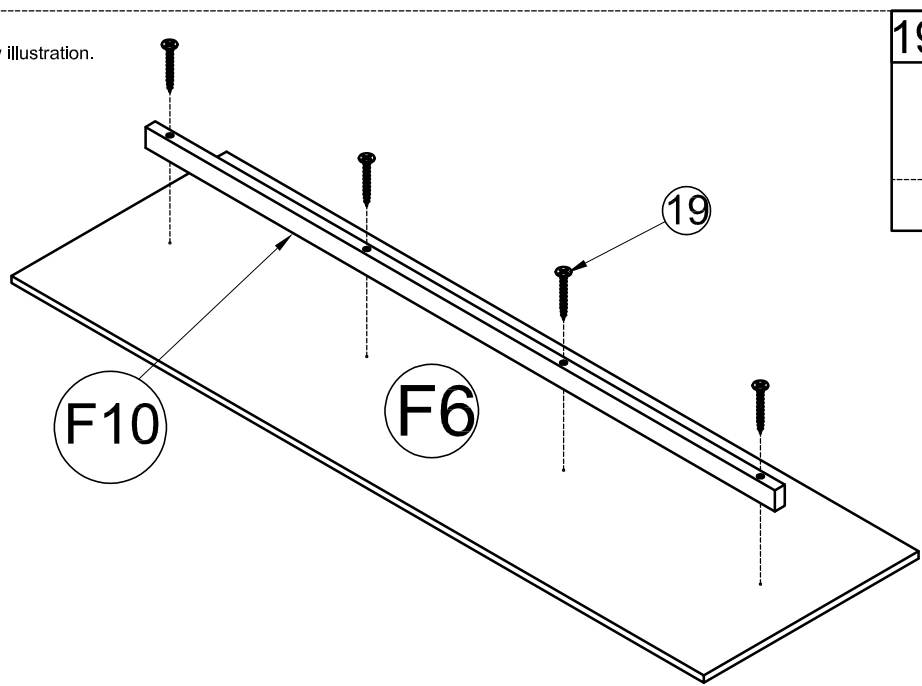
STEP 15: Following below illustration.




11	
4pcs	


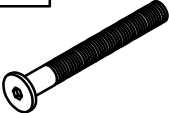



12	
4pcs	

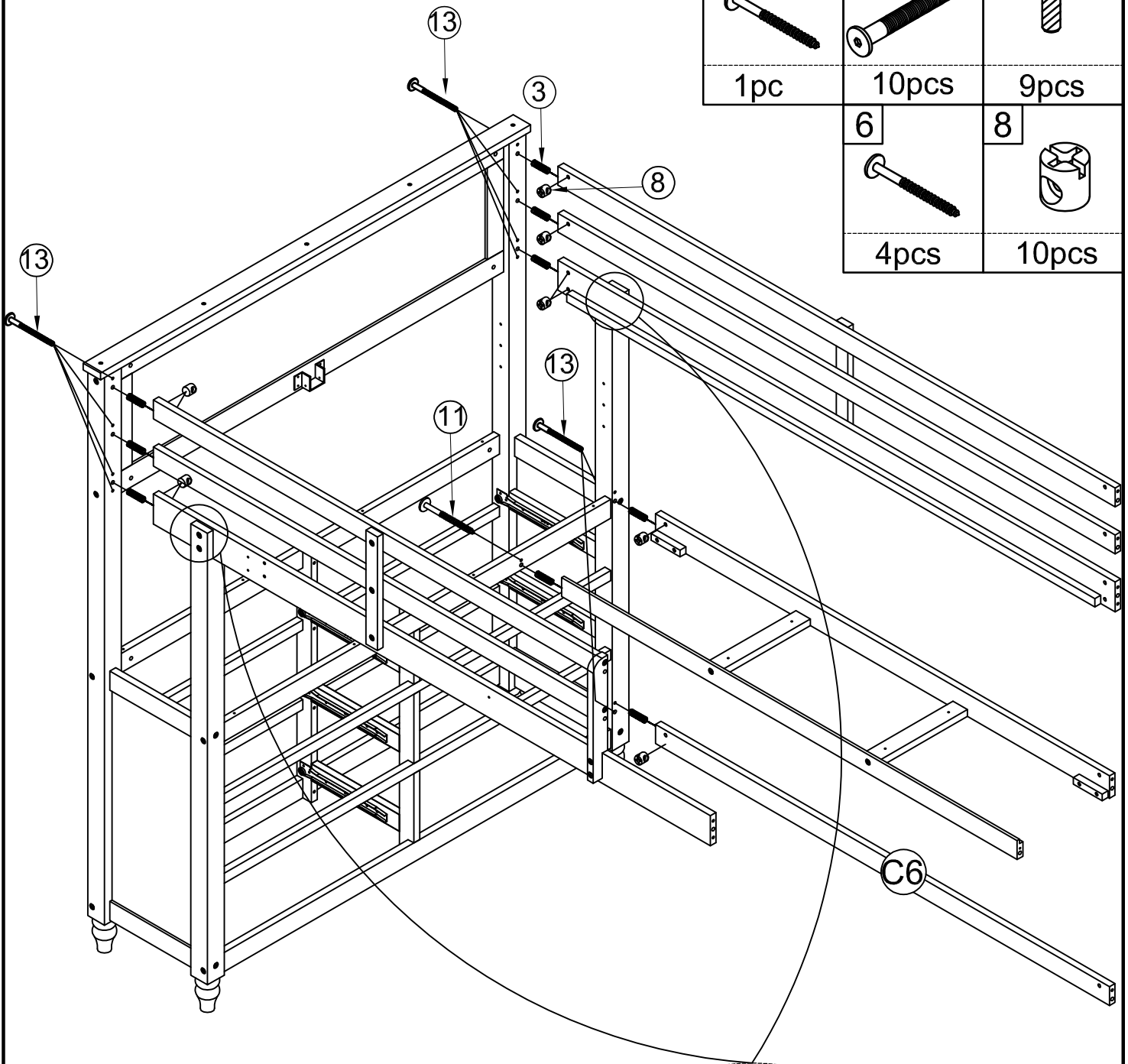
STEP 16: Following below illustration.



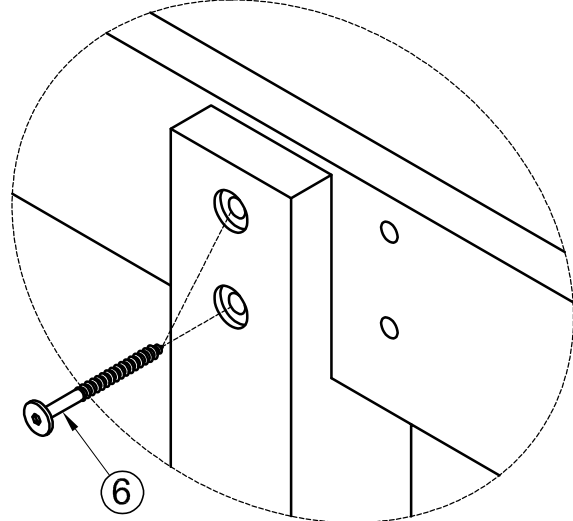
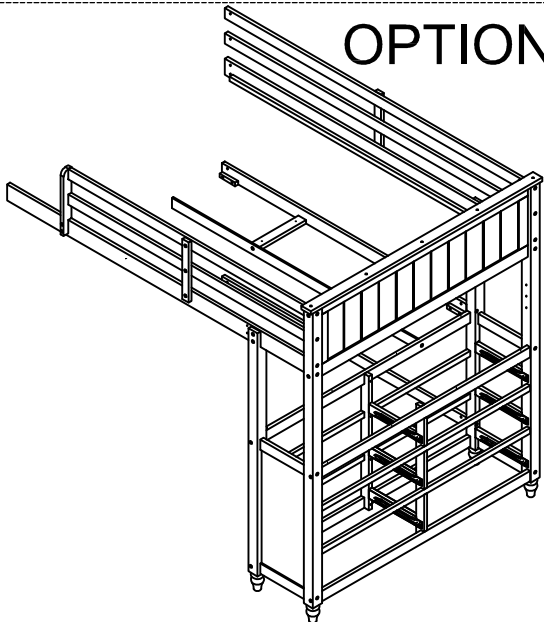
19	
4pcs	

STEP 17: Following below illustration.

11	13	3
		
1pc	10pcs	9pcs
6	8	
		
4pcs	10pcs	


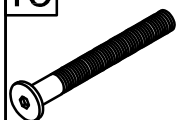




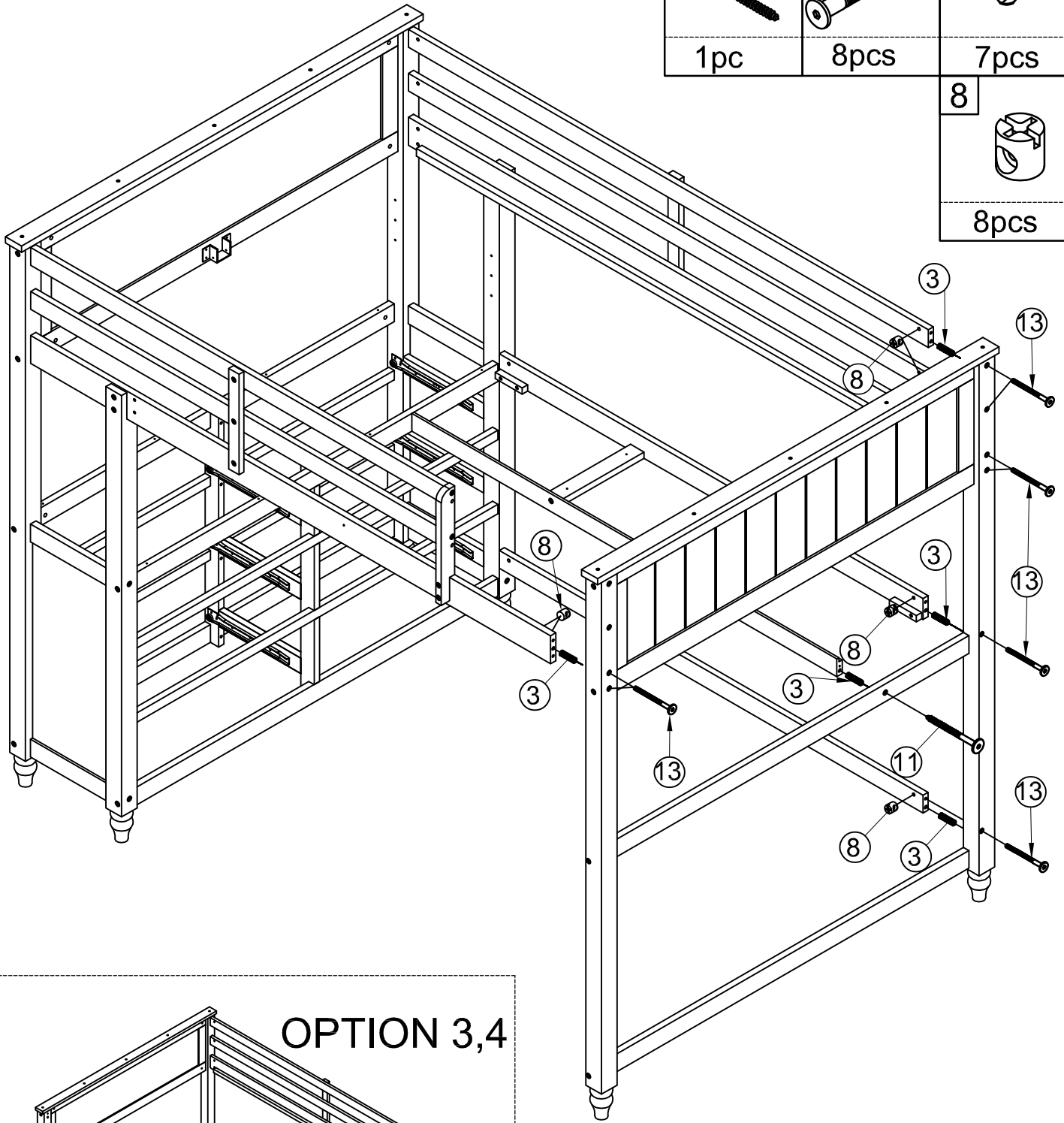
OPTION 3,4



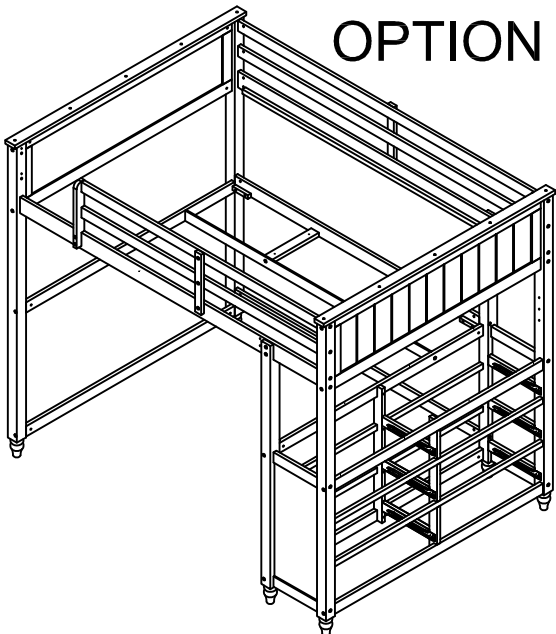
DETAIL 1

STEP 18: Following below illustration.

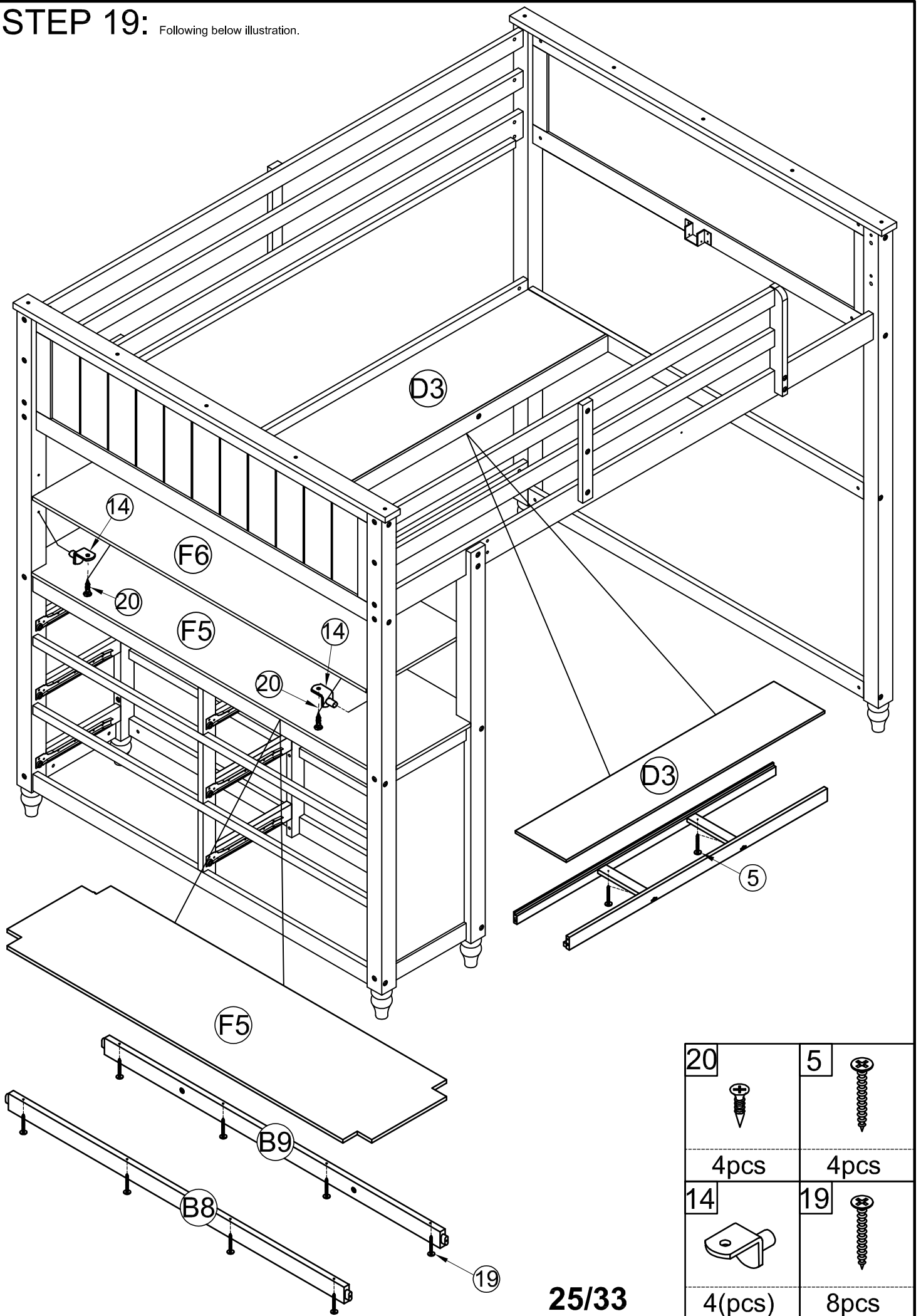
11	13	3
		
1pc	8pcs	7pcs
		8
		
		8pcs







OPTION 3,4



STEP 19: Following below illustration.



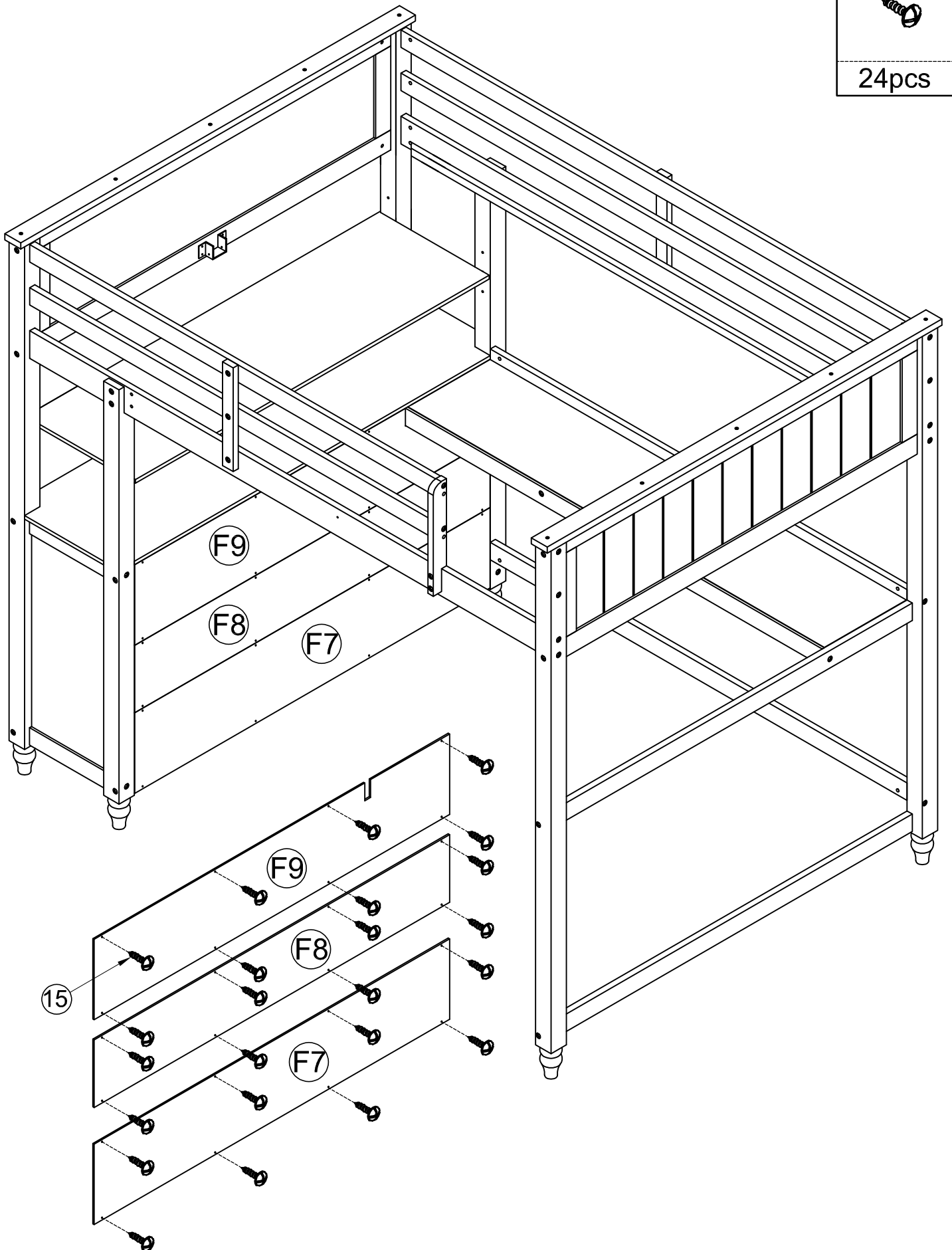
20		5	
	4pcs		4pcs
14		19	
	4(pcs)		8pcs

STEP 20: Following below illustration.

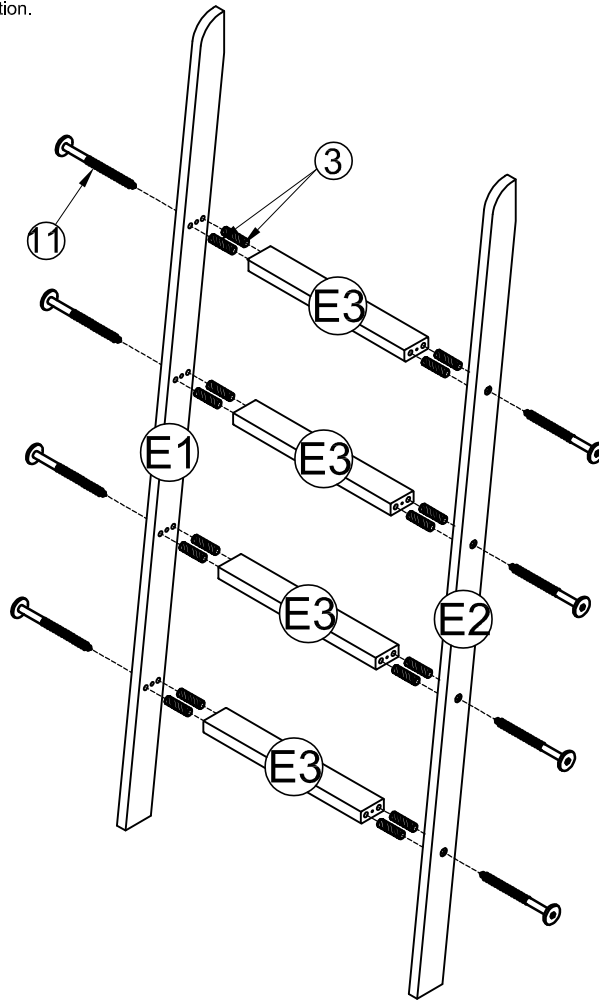
15


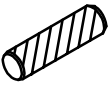


24pcs

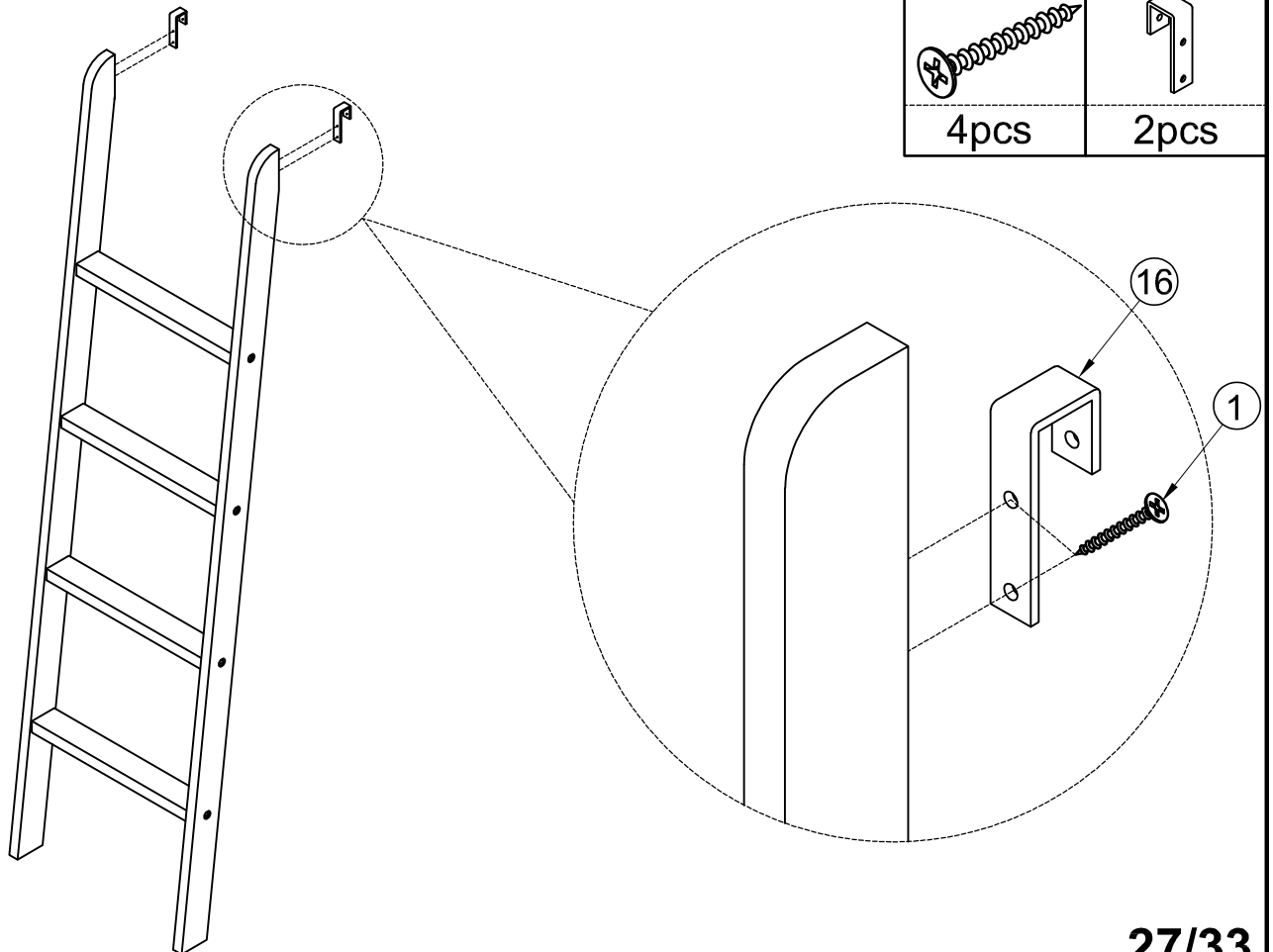




STEP 21: Following below illustration.



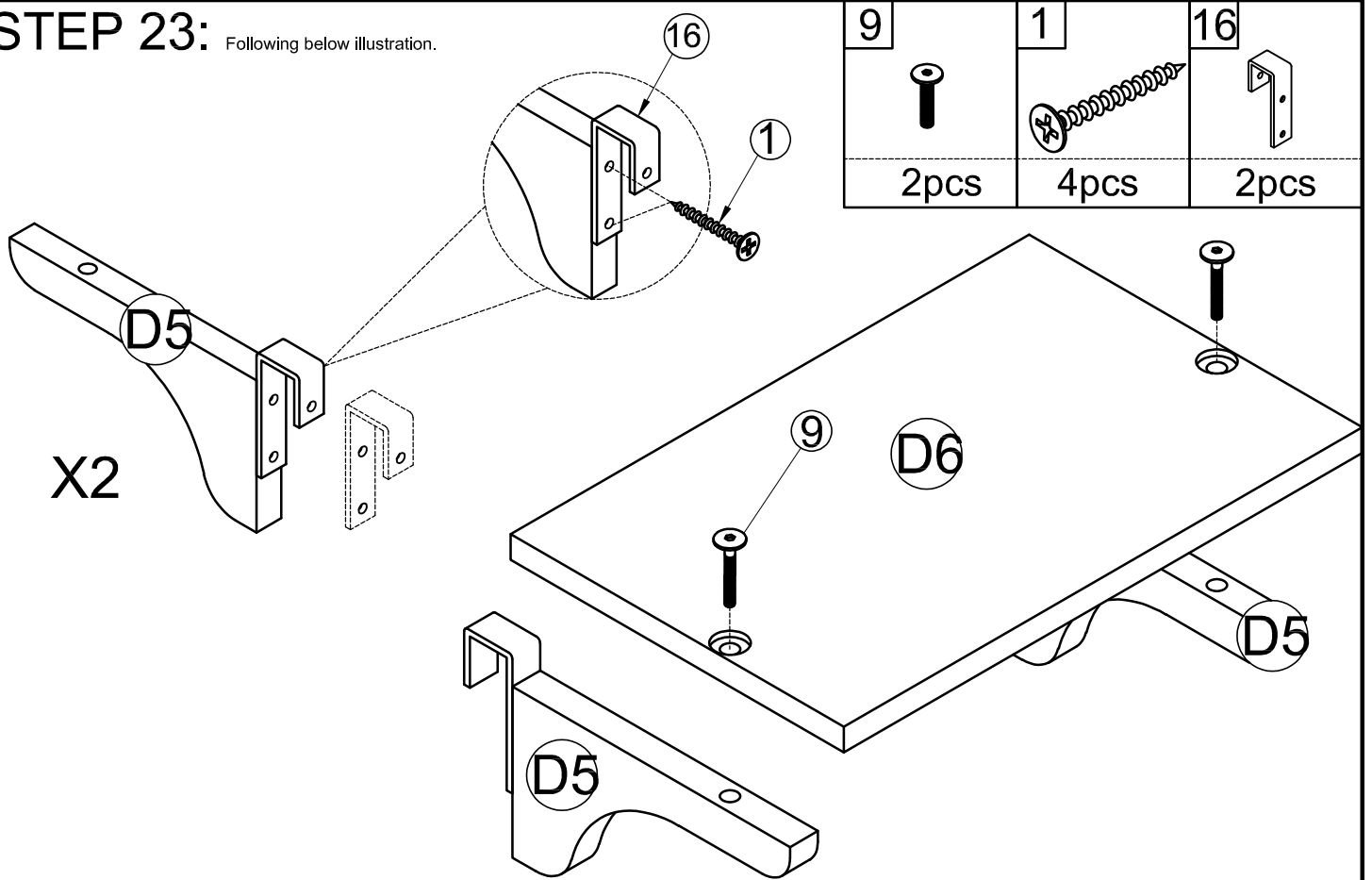
11	3
	
8pcs	16pcs

STEP 22: Following below illustration.

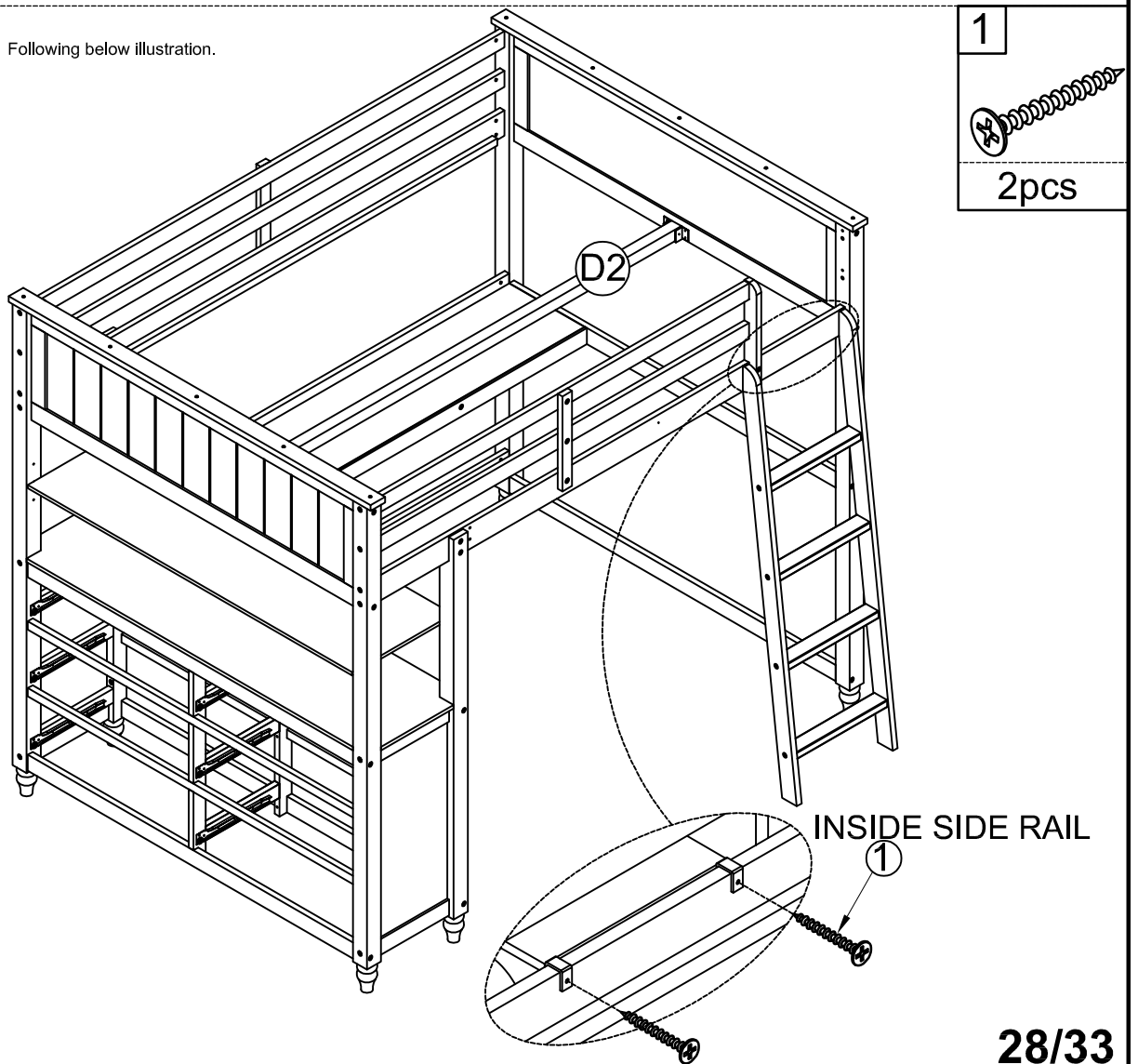


1	16
	
4pcs	2pcs

STEP 23: Following below illustration.



STEP 24: Following below illustration.

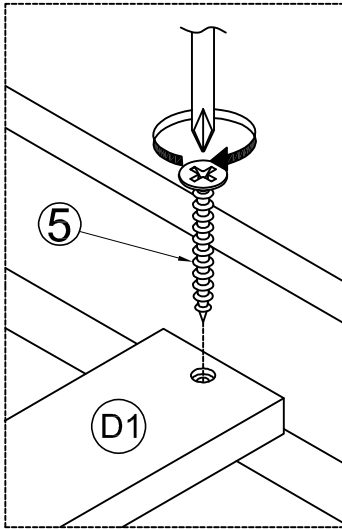


STEP 25: Following below illustration.

5



14pcs

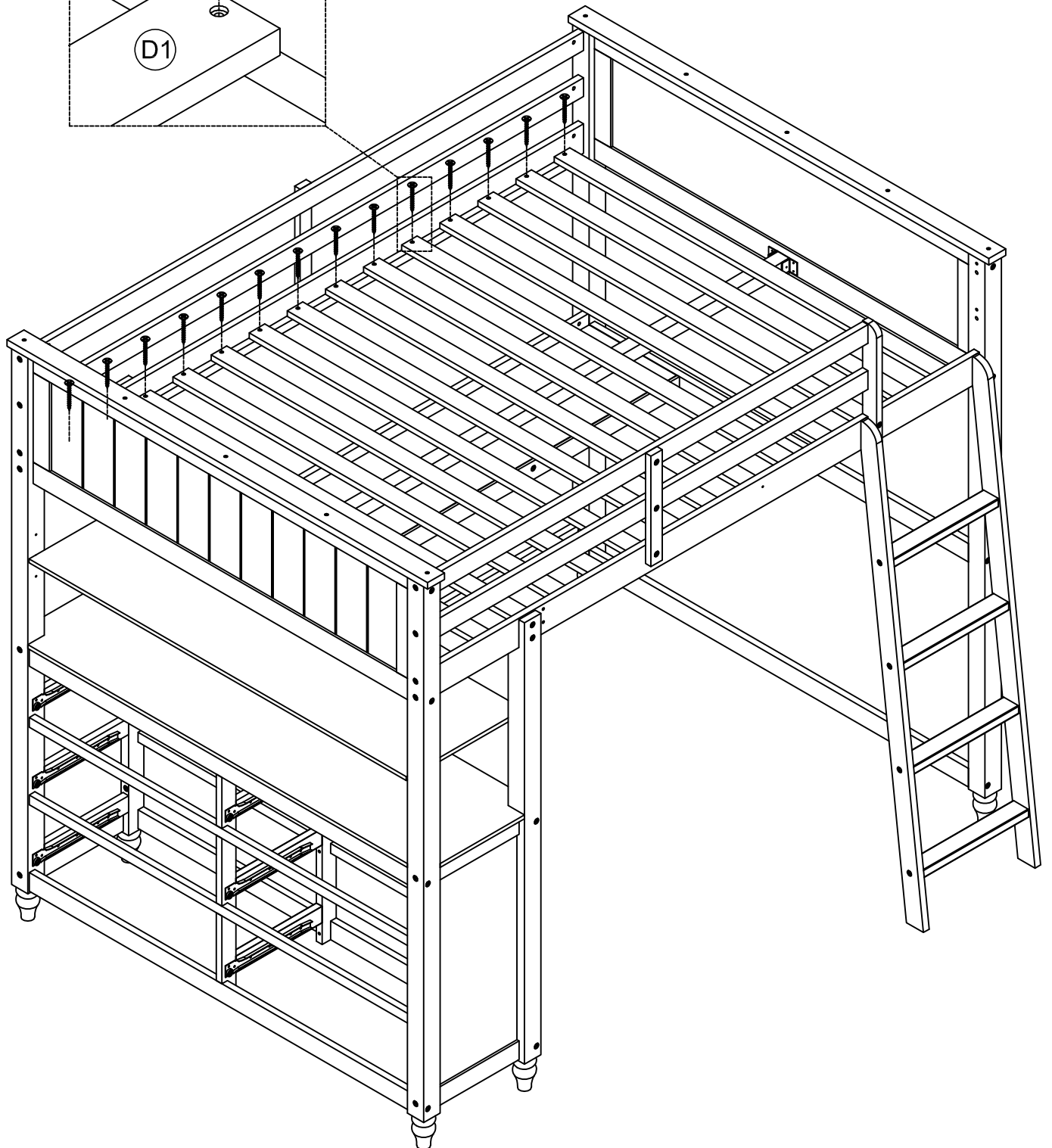
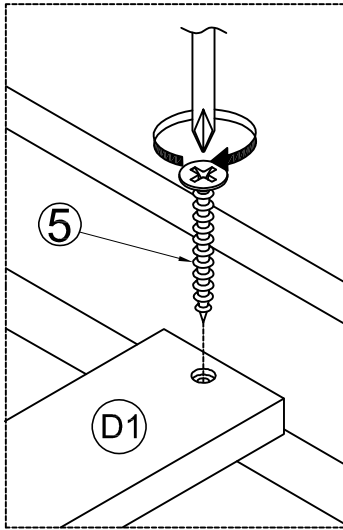


STEP 26: Following below illustration.

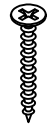


5

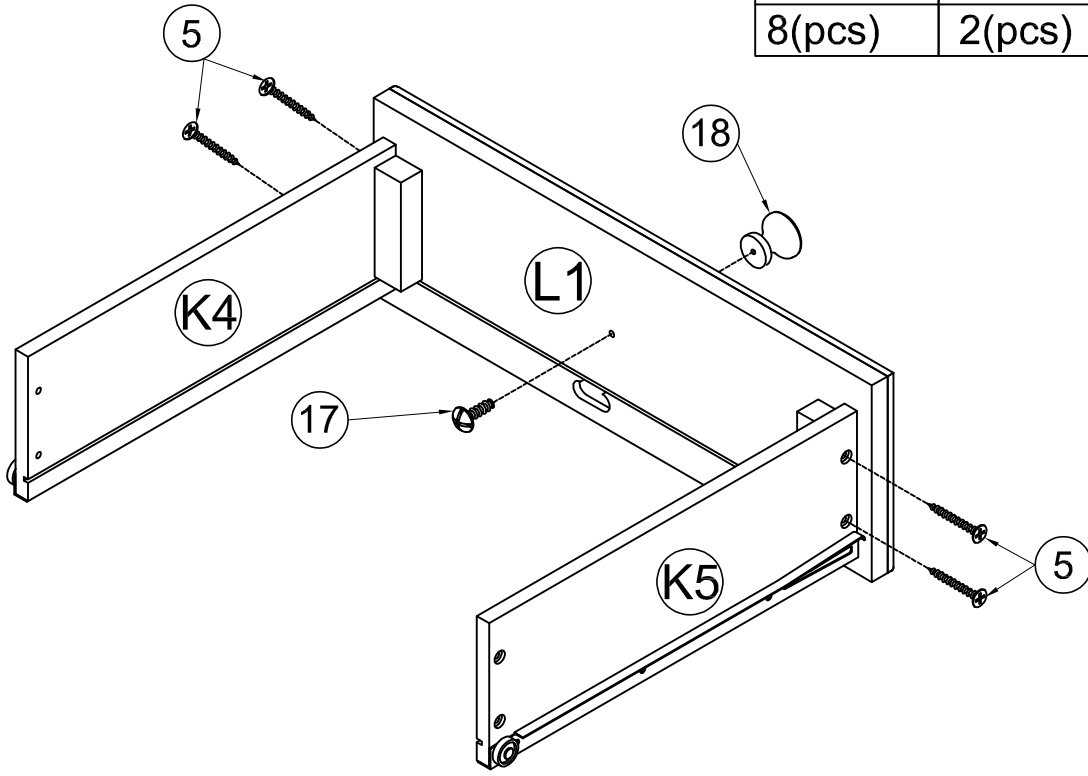


14pcs




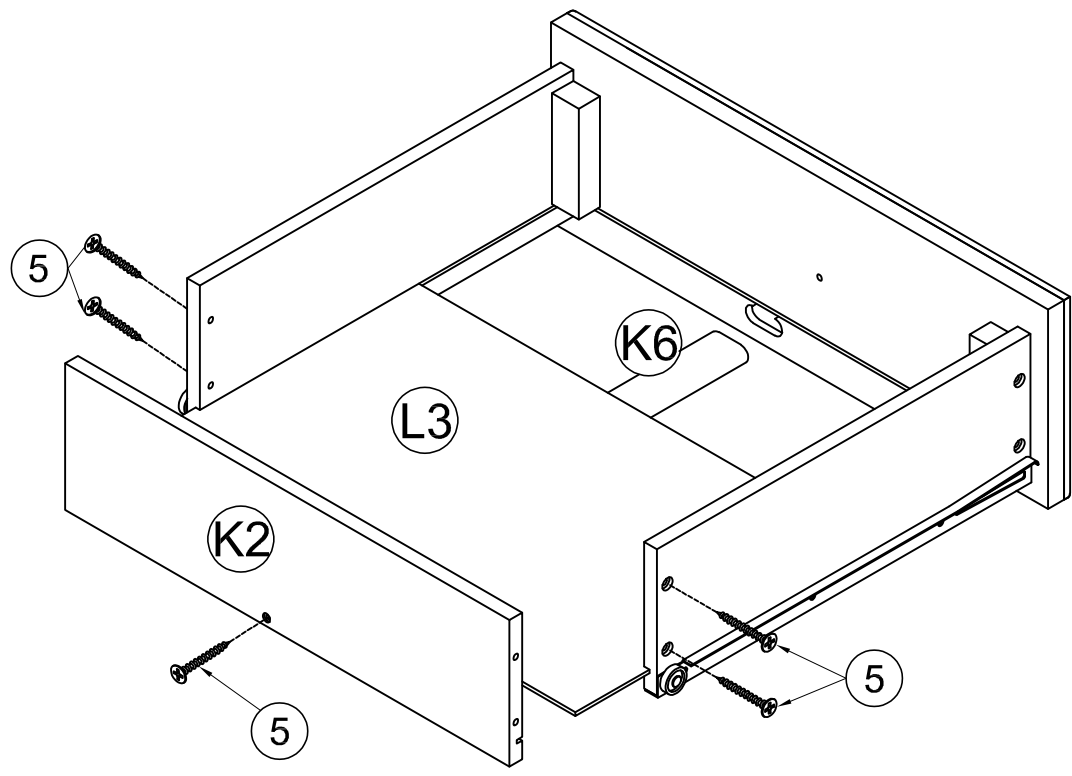
STEP 27x2: Following below illustration.

5		18		17	
8(pcs)		2(pcs)		2(pcs)	

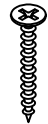




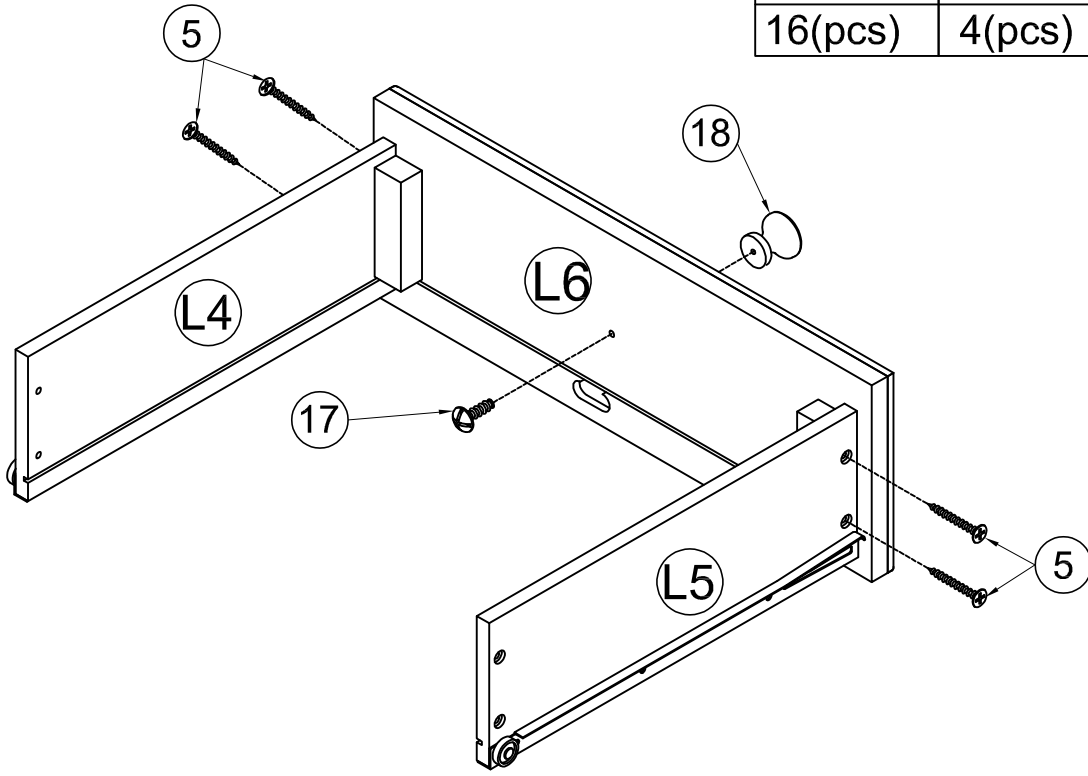
STEP 28x2: Following below illustration.

5	
10(pcs)	




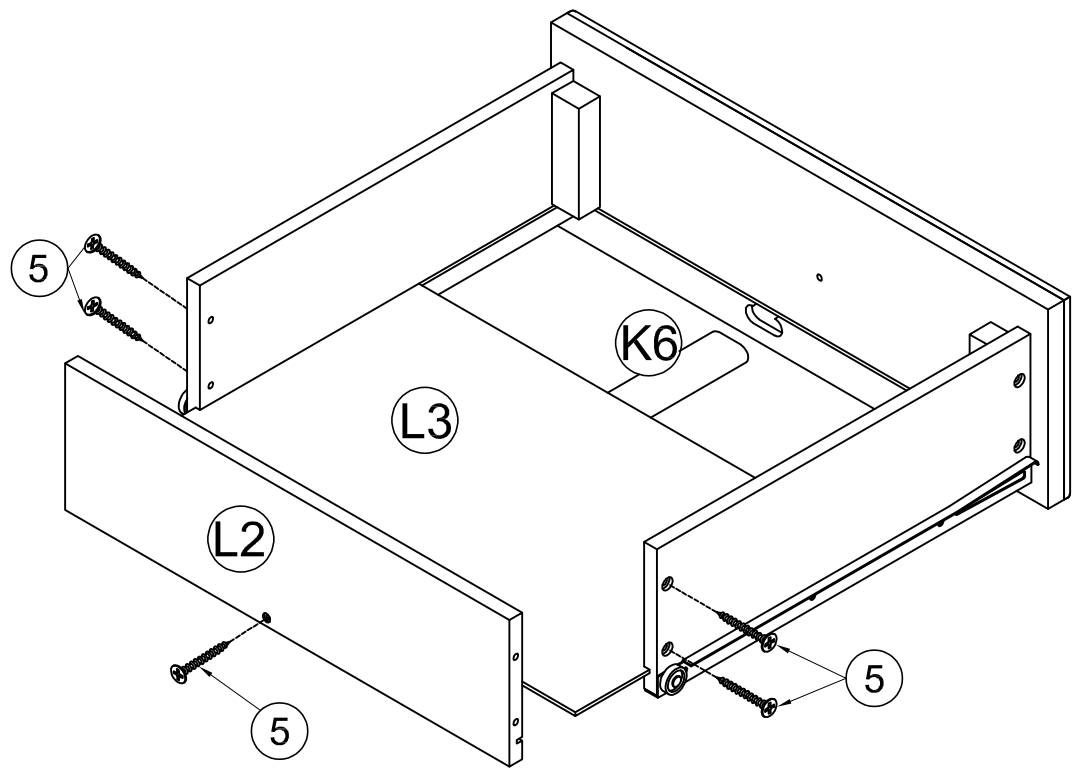
STEP 29x4: Following below illustration.

5	18	17
		
16(pcs)	4(pcs)	4(pcs)



STEP 30x4: Following below illustration.

5	
20(pcs)	



Finish

