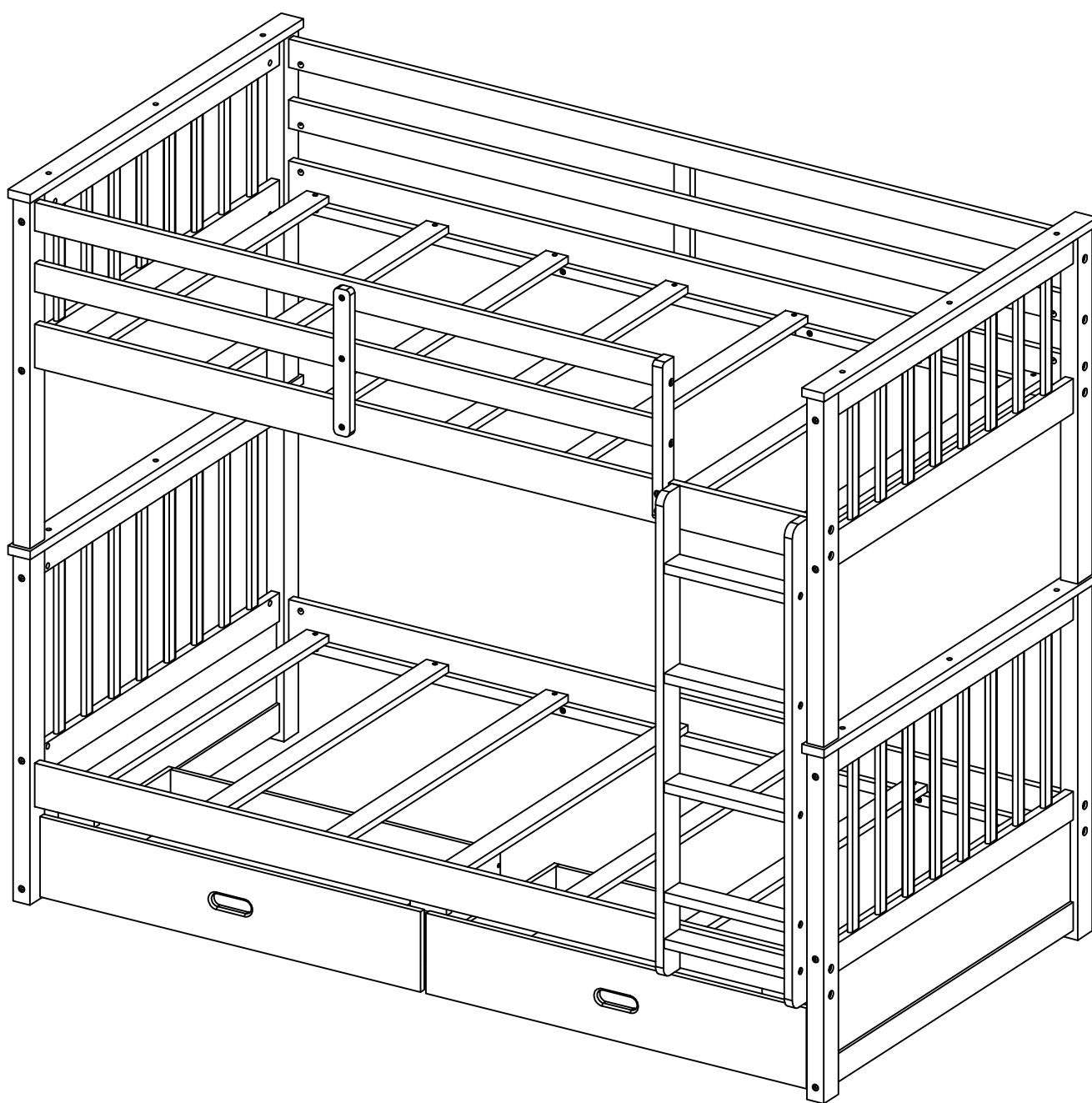


ASSEMBLY INSTRUCTIONS

TWIN OVER TWIN BUNKBED



WF313606/WF313607

! SAFETY WARNINGS !

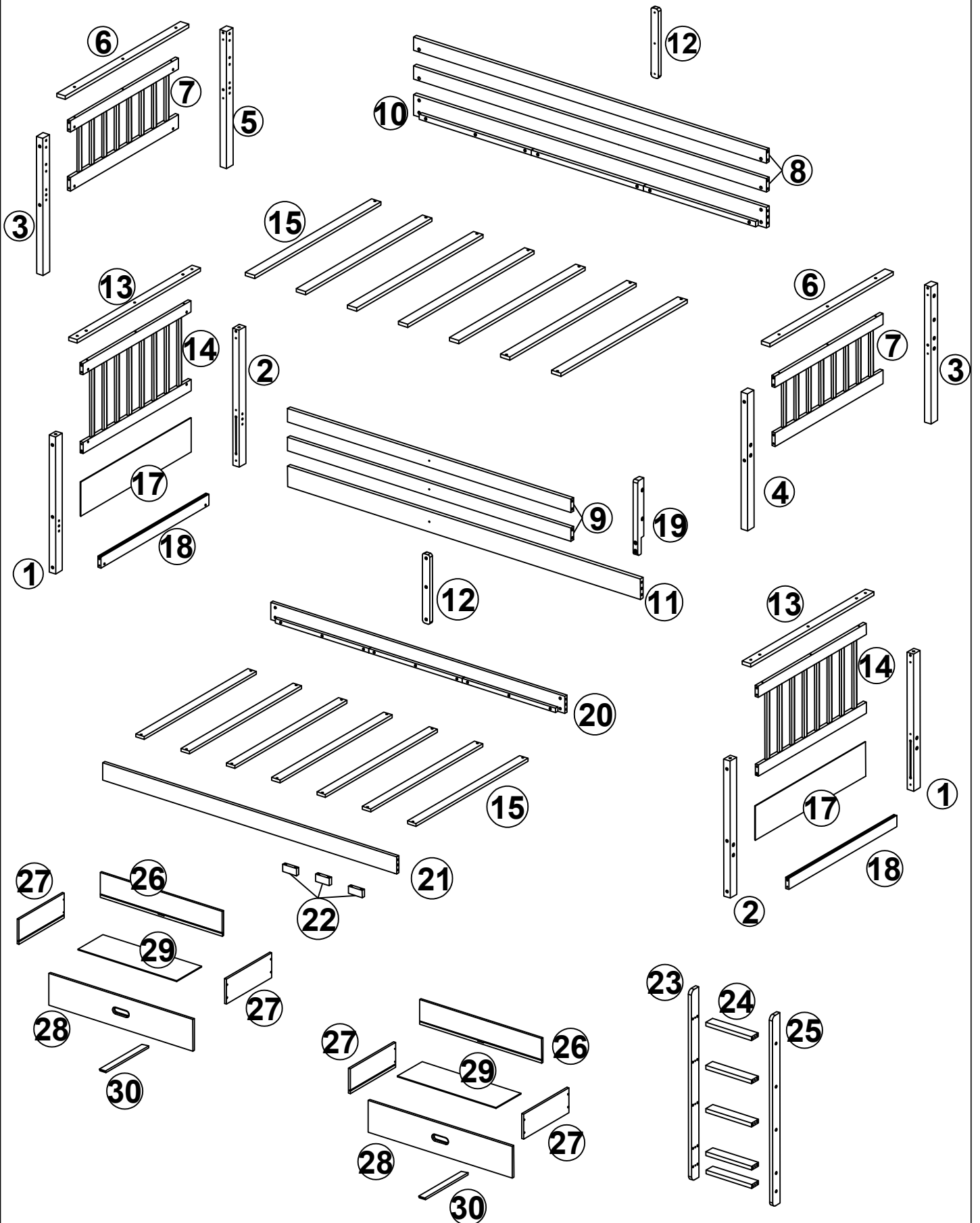
1. This bed is designed for use only mattress(es) meeting the following specifications on the upper bunk, and lower bunk:

Upper bunk(bunk bed and tribed included)

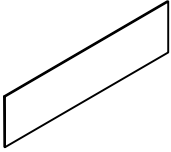
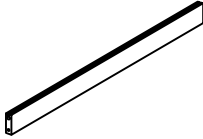

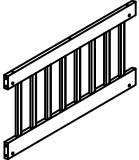
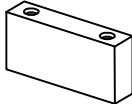
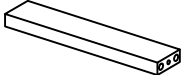
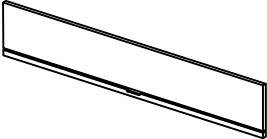
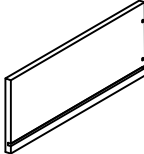
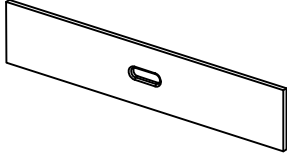
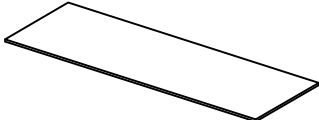
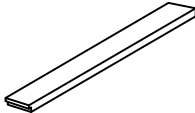

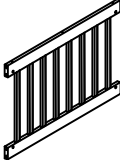
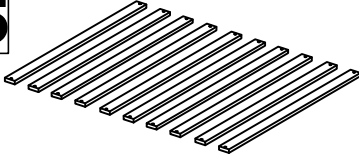
| Bed type | Length | Width | Thickness |
|----------------------|------------------|----------------|------------------|
| Twin Standard | 74" - 75" | 38 1/2" | 6" |

2. Replacement parts, including additional guardrails, may be obtained from any of our (GIGACLOUD TECHNOLOGY (USA) INC.) dealers
3. Follow the information on the warnings appearing on the upper bunk bed end structure and on the carton. Do not remove warning label from bed.
4. Always use the recommended size mattresses or mattress supports, or both, to help prevent the likelihood of entrapment or falls.
5. Surface of the mattress must be at least 5 in. (127 mm) below the upper edge of guardrails.
6. Do not allow children under 6 years of age to use the upper bunk.
7. Periodically check and ensure that the guardrail, ladder, and other components are in their proper position, free from damage, and that all connectors are tight.
8. Do not allow horseplay on or under the bed and prohibit jumping on the bed
9. Always use the ladder for entering and leaving the upper bunk.
10. Do not use substitute parts. Contact the manufacturer or dealer for replacement parts.
11. Use of a night light may provided added safety precaution for a child using the upper bunk.
12. Always use guardrails on both long sides of the upper bunk. If the bunk bed will be placed next to the wall, the guardrail that runs the full length of the bed should be placed against the wall to prevent entrapment between the bed and wall.
13. The use of water or sleep flotation mattresses is prohibited.
14. **STRANGULATION HAZARD** – Never attach or hang items to any part of the bunk bed that are not designed for use with the bed; for axample, but not limited, hook, belts and jump ropes.
15. Keep these instructions for future reference
16. Prohidit more than one person on upper bunk .
17. We recommend assembling your bunk bed on the shipping carton to protect your floor or carpet .
18. Be caertain all staples are out of the box before beginning assembly on the shipping carton .

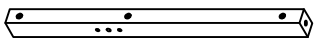
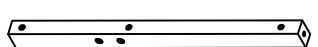

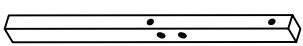
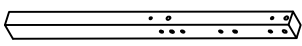
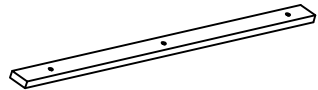
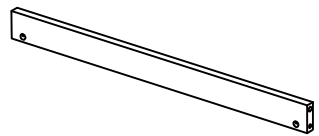
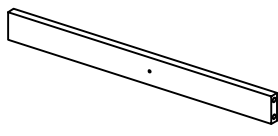
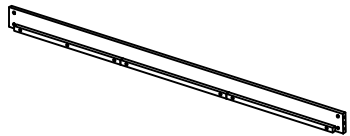
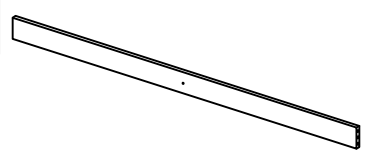
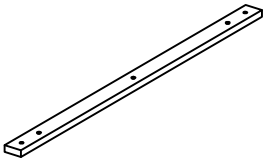
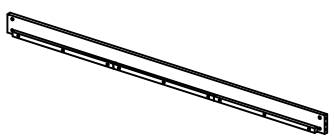
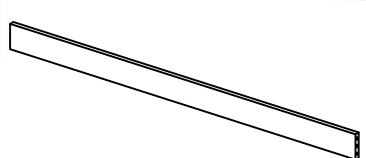
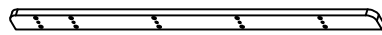
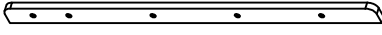
Detail View



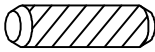
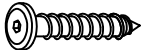
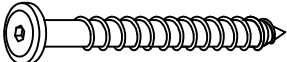







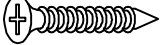
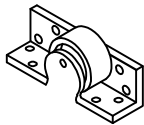
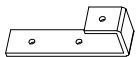


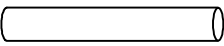

Part List : WF313606

| | | |
|--|--|--|
| 17  | 18  | 19  |
| Side panel - 2pcs | Horizontal bar - 2pcs | Support guard rail - 1pc |
| 7  | 22  | 24  |
| Upper HB & FB - 2pcs | Wood block - 3pcs | Step ladder - 5pcs |
| 26  | 27  | 28  |
| Drawer back - 2pcs | Drawer (L/R) - 4pcs | Drawer front - 2pcs |
| 29  | 30  | 12  |
| Drawer bottom - 2pcs | Center support drawer-2pcs | Vertical guard rail - 2pcs |
| 14  | 15  | |
| Lower HB/FB - 2pc | Slat - 14pcs | |

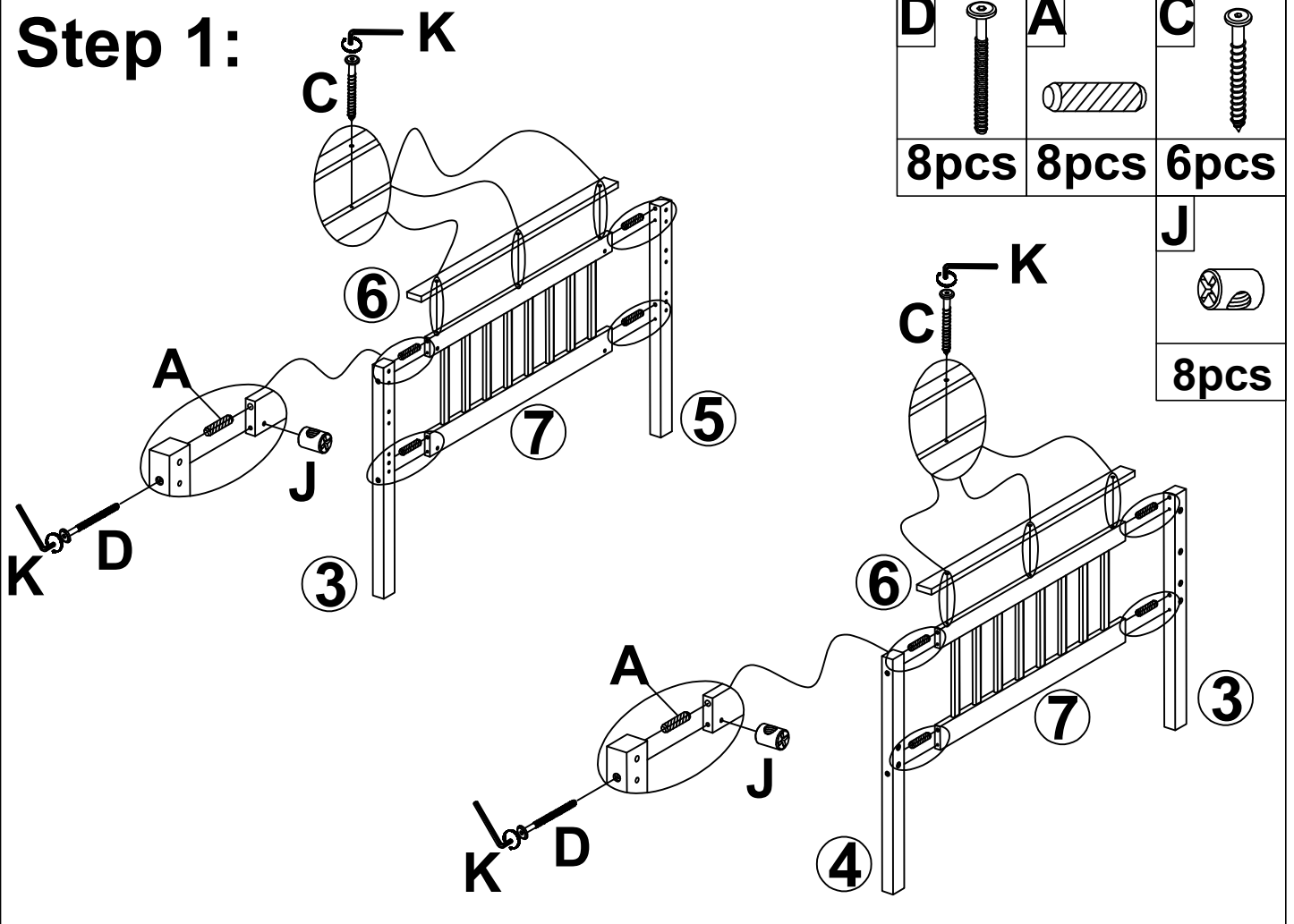
Part List : WF313607

| | | |
|--|--|--|
| 1  | 2  | 3  |
| Lower leg HB-FB (Left)-2pcs | Lower leg HB-FB (Right)-2pcs | Upper leg HB&FB (L/R)-2pcs |
| 4  | 5  | 6  |
| Upper leg FB (Right)-1pc | Upper leg HB (Right)-1pc | Cap for upper HB&FB-2pcs |
| 8  | 9  | 10  |
| Long guard rail-2pcs | Short guard rail-2pcs | Side rail upper (Back) -1pc |
| 11  | 13  | 20  |
| Side rail upper (Front) -1pc | Cap for lower HB&FB-2pcs | Side rail lower (Back) -1pc |
| 21  | 23  | 25  |
| Side rail lower (Front) -1pc | Ladder (Left) - 1pc | Ladder (Right) - 1pc |

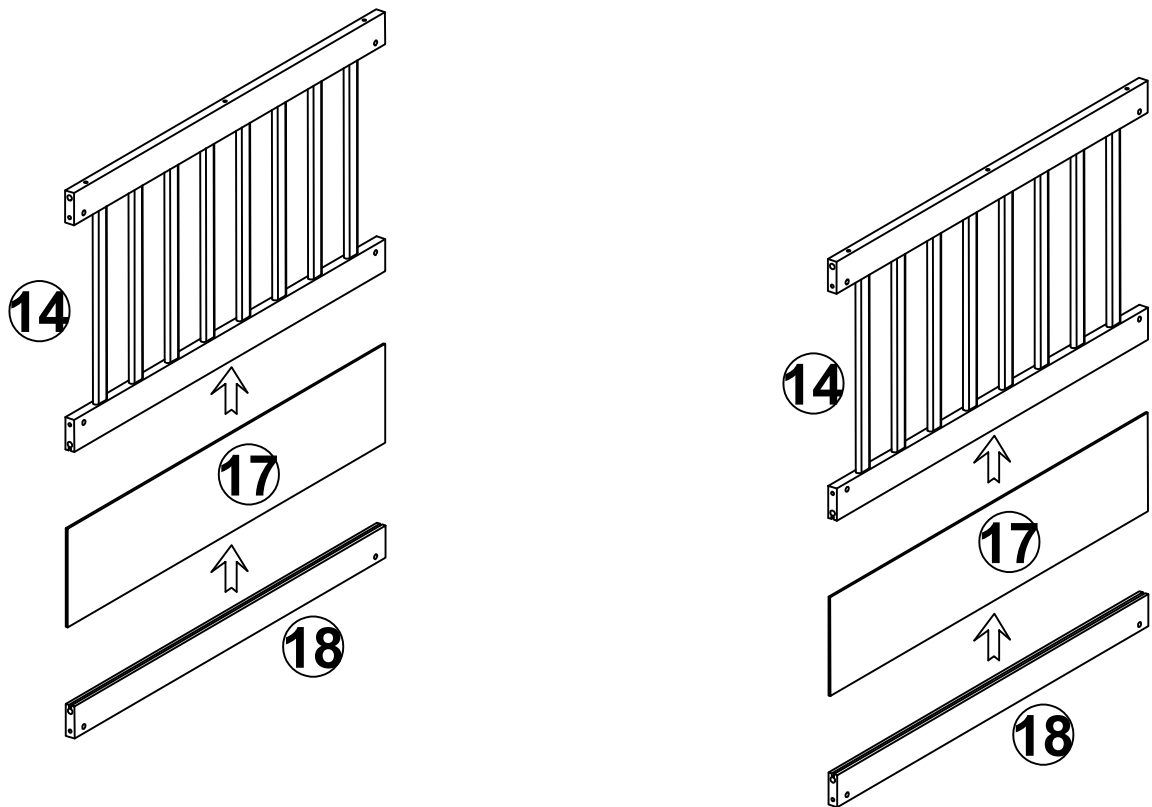
Hardware List : WF313607

| | | |
|--|--|---|
| A  Ø10*30mm | B  Ø6*30mm | C  Ø6*50mm |
| Wood dowel (56pcs) | Hex-Head screw (6pcs) | Hex-Head screw (12pcs) |
| D  Ø1/4"*100mm | E  Ø1/4"*80mm | F  Ø1/4"*65mm |
| Hex-Head screw (20pcs) | Hex-Head bolt (22pcs) | Hex-Head bolt (12pcs) |
| G  Ø1/4"*30mm | H  Ø1/4" | J  Ø1/4"*9.5*12mm |
| Hex-Head bolt (2pcs) | Nut (2pcs) | Horizontal-Hole bolt (54pcs) |
| K  K4mm | L  #4*30mm | M  Ø35mm |
| Allen key (1pc) | Screw (50pcs) | Small Wheel (8pcs) |
| Q  Hook (4pcs) | R  90*17*2mm | P  #3.5*12mm |
| | Foam stick (4pcs) | Screw (20pcs) |
| T  Ø10*90mm | U  #4*20mm | |
| Metal dowel (4pcs) | Screw (12pcs) | |

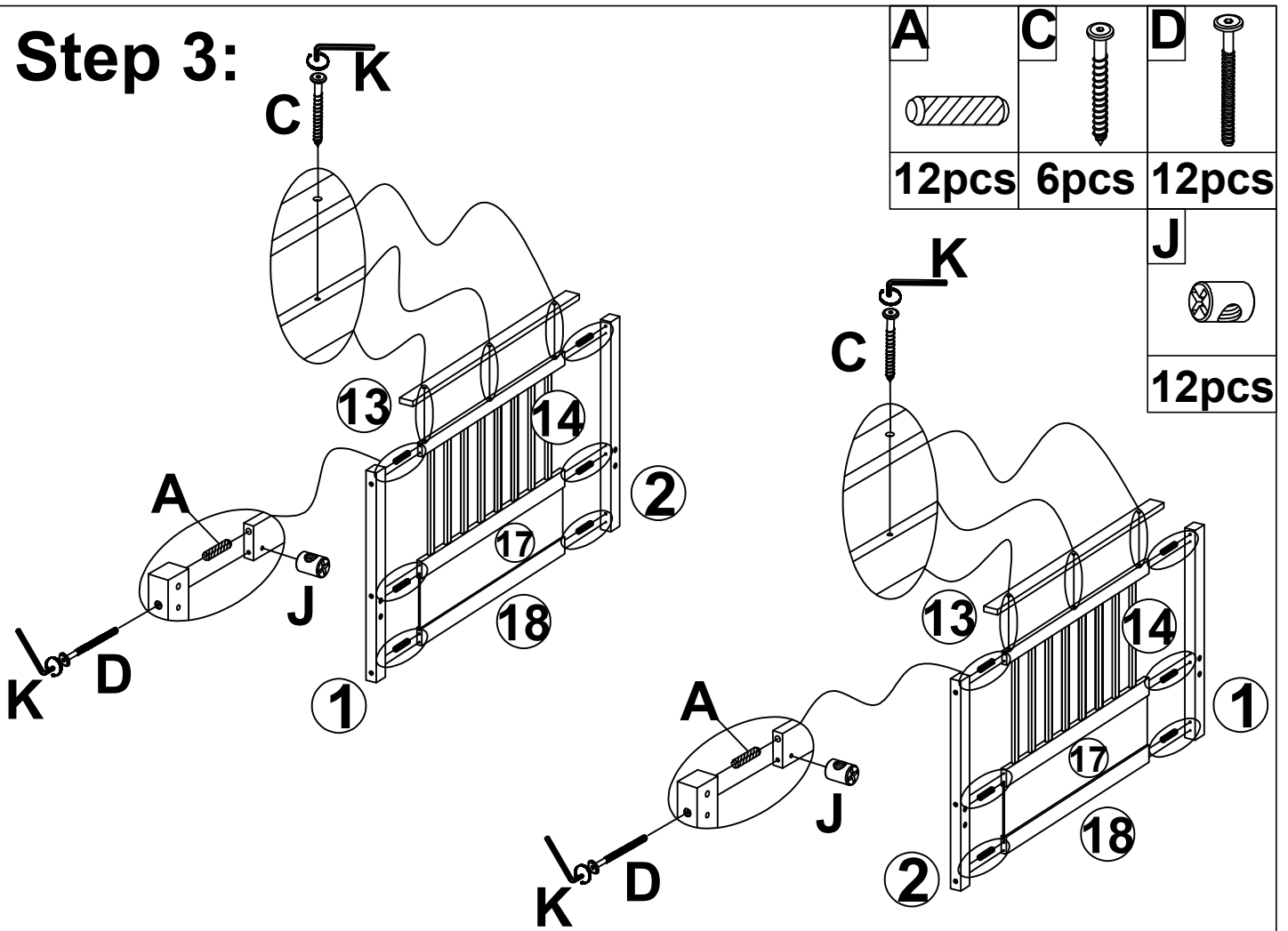
Step 1:



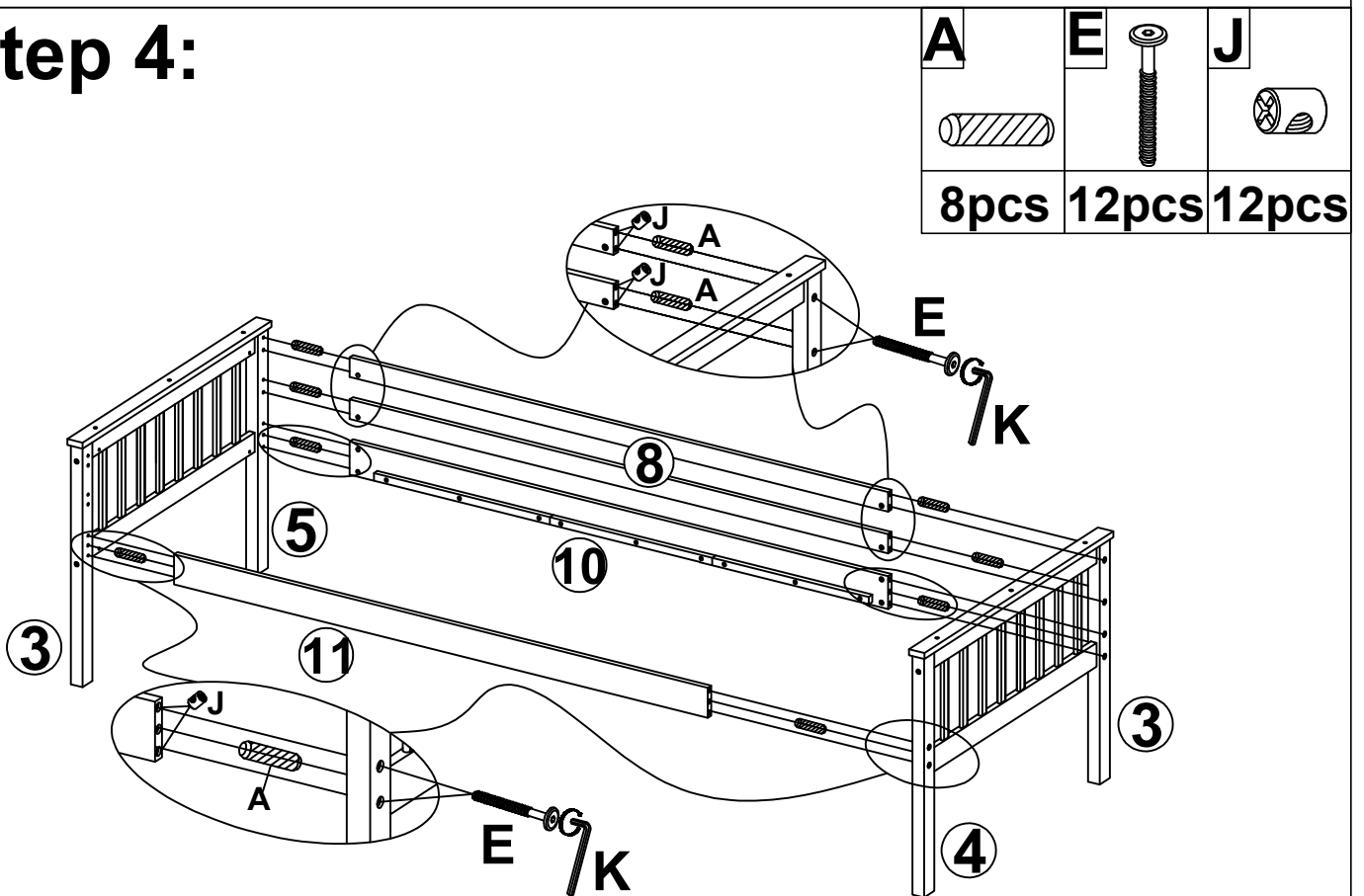
Step 2:



Step 3:



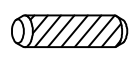


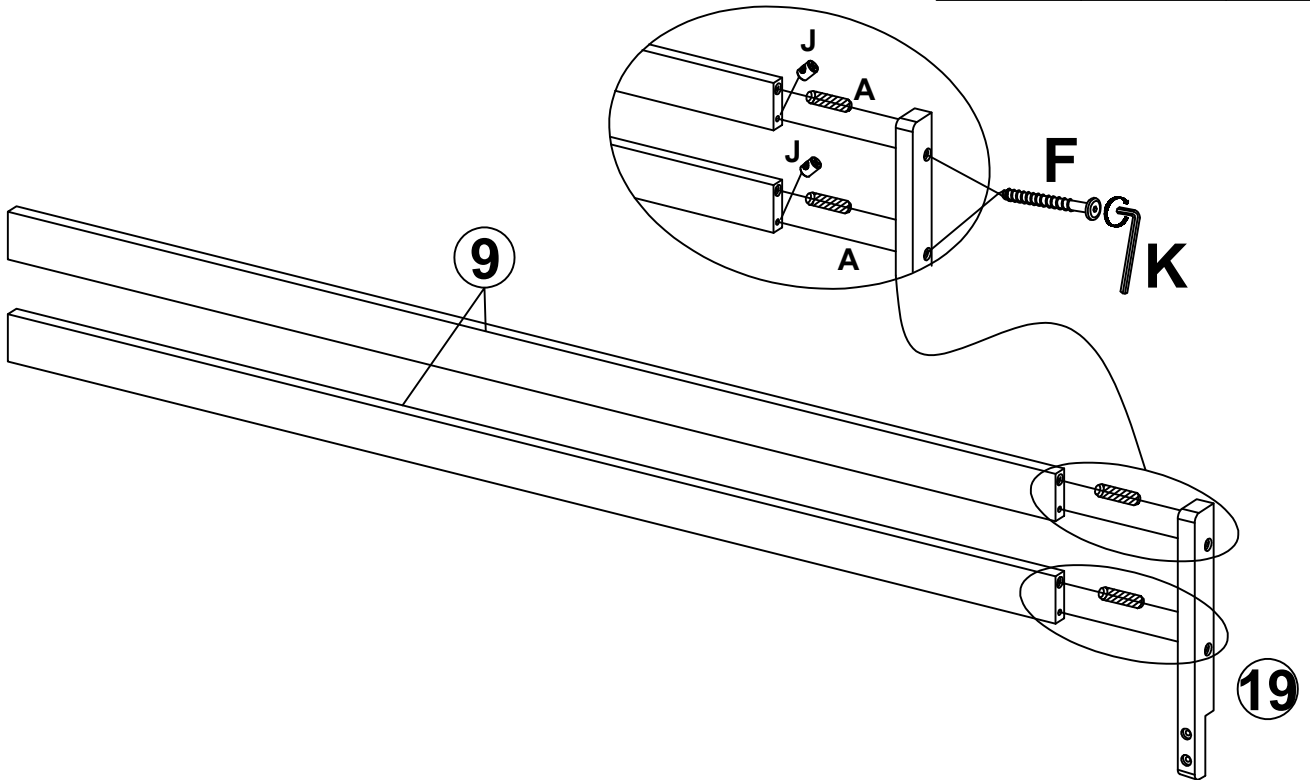
Step 4:




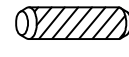



ATTENTION: PLEASE DON'T TIGHTEN ALL BOLTS IN THIS STEP, JUST TIGHTEN 80%

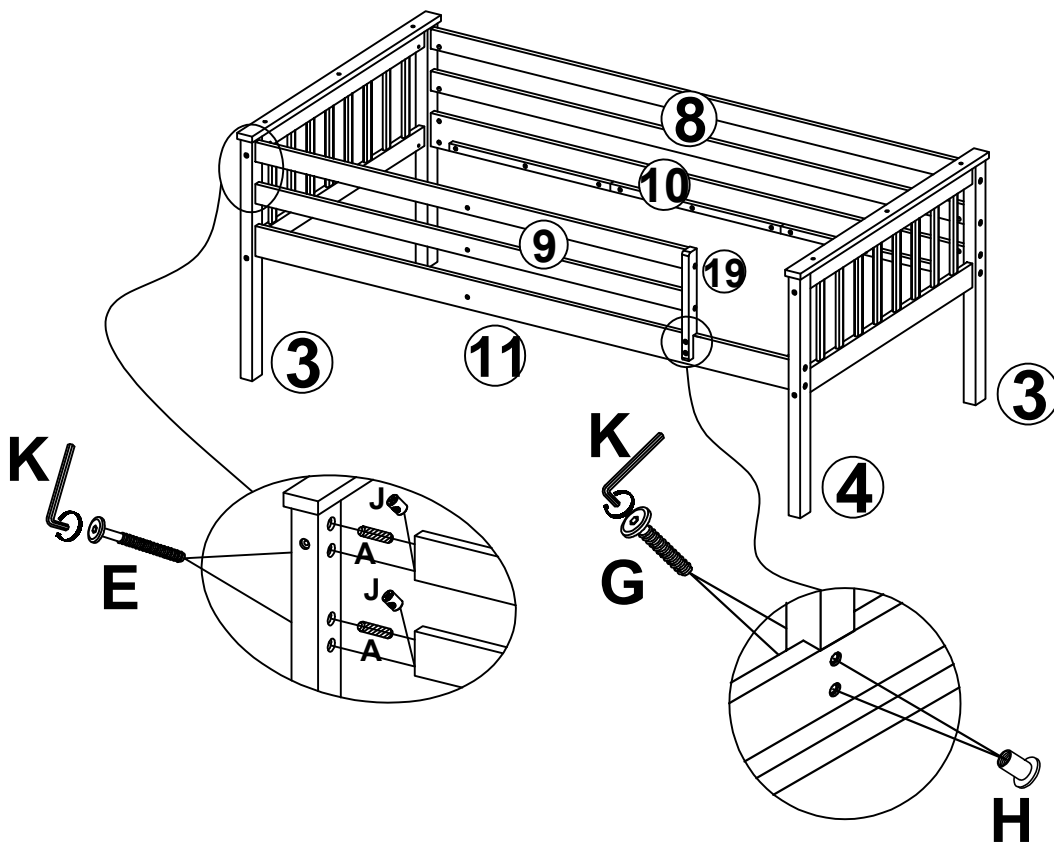
Step 5:

| | | | |
|---|---|----------|--|
| J | A | F |  |
|  |  | | |
| 2pcs | 2pcs | 2pcs | |




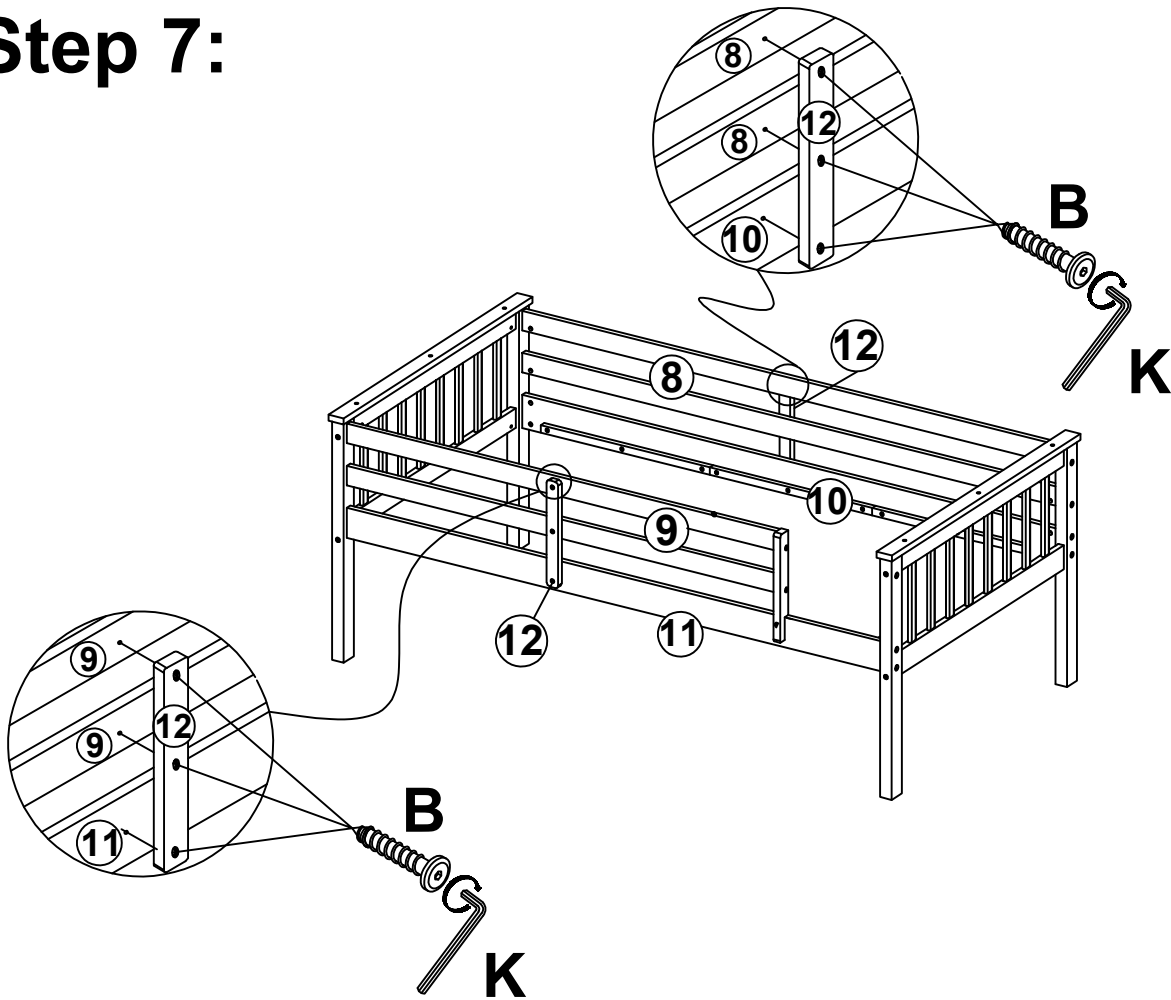
Step 6:

| | | |
|---|----------|---|
| A | E |  |
|  | | |
| 2pcs | 2pcs | |
| G | H |  |
|  | | |
| 2pcs | 2pcs | |
| | J |  |
| | | 2pcs |

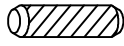




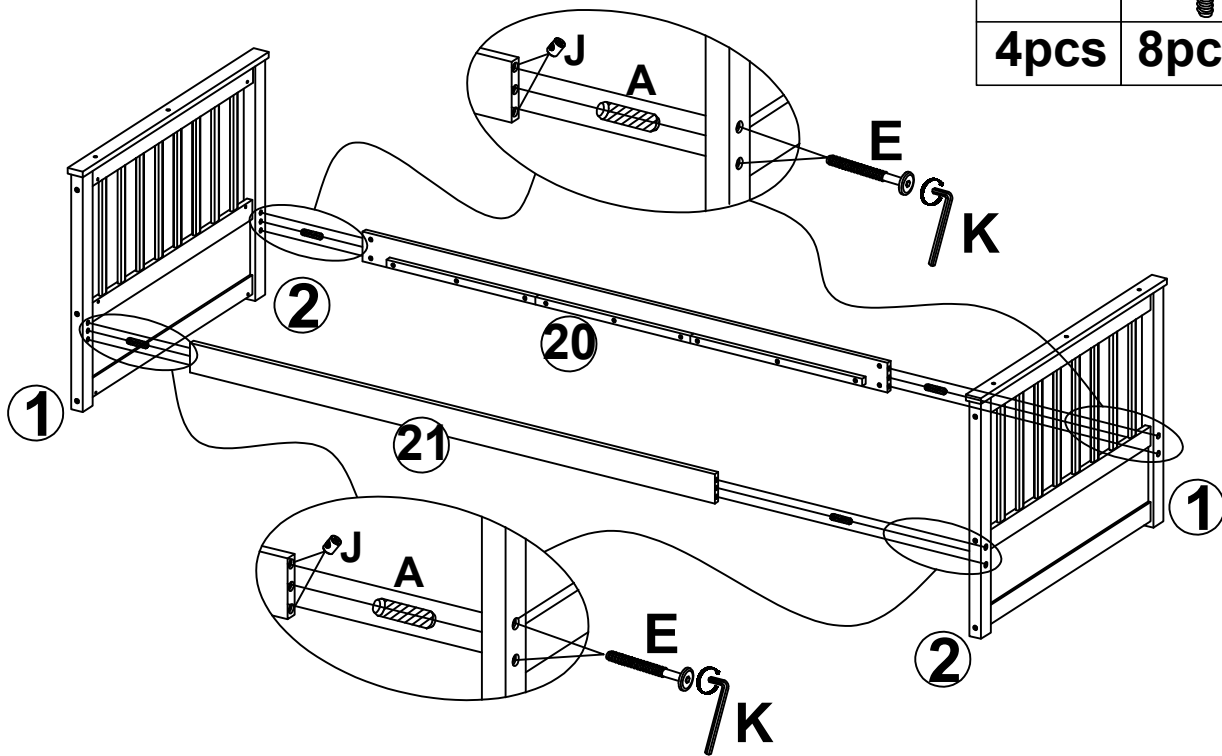
Step 7:

| | |
|-------------|--|
| B |  |
| 6pcs | |



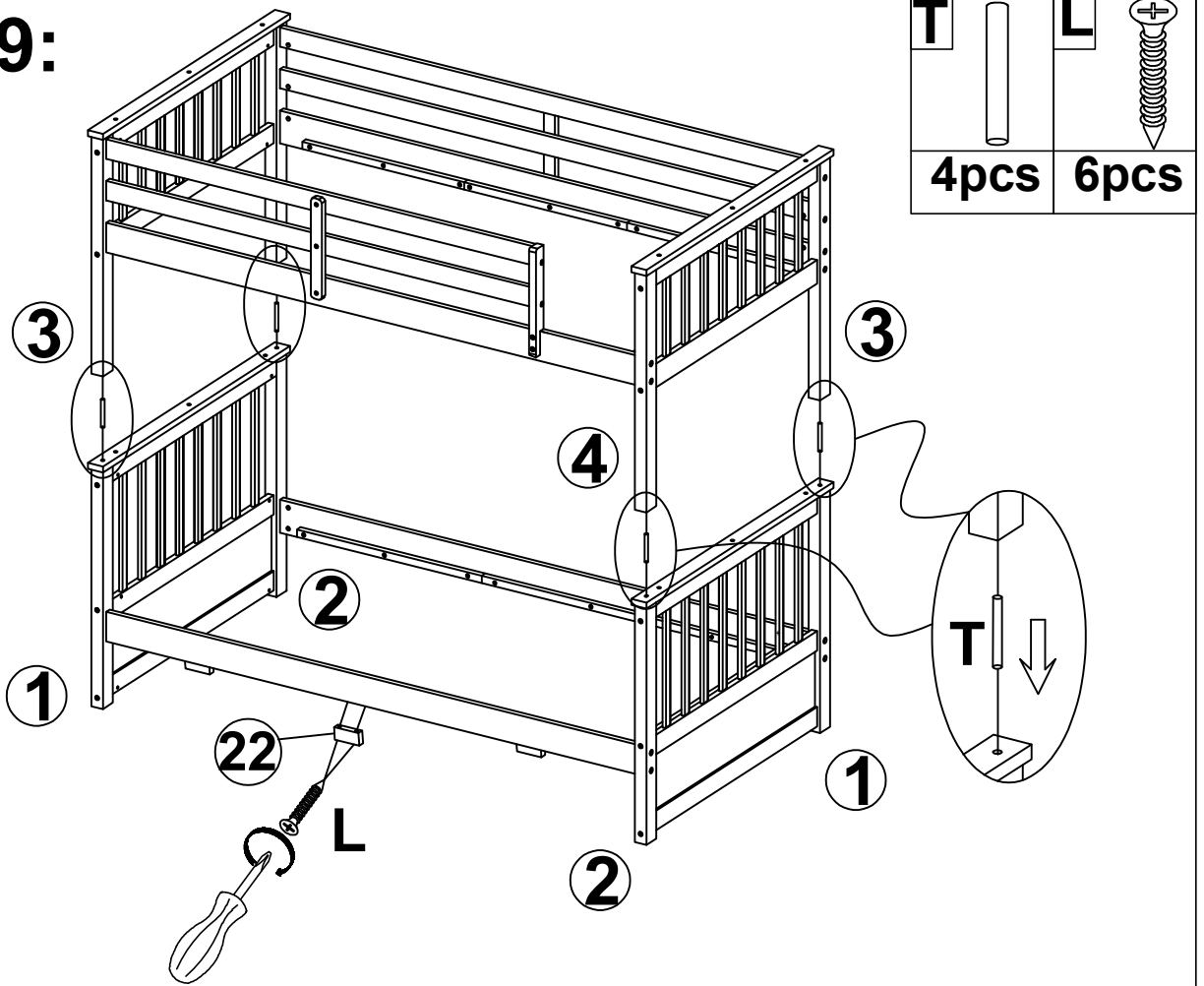
Step 8:

| | | |
|---|---|---|
| A | E | J |
|  |  |  |
| 4pcs | 8pcs | 8pcs |

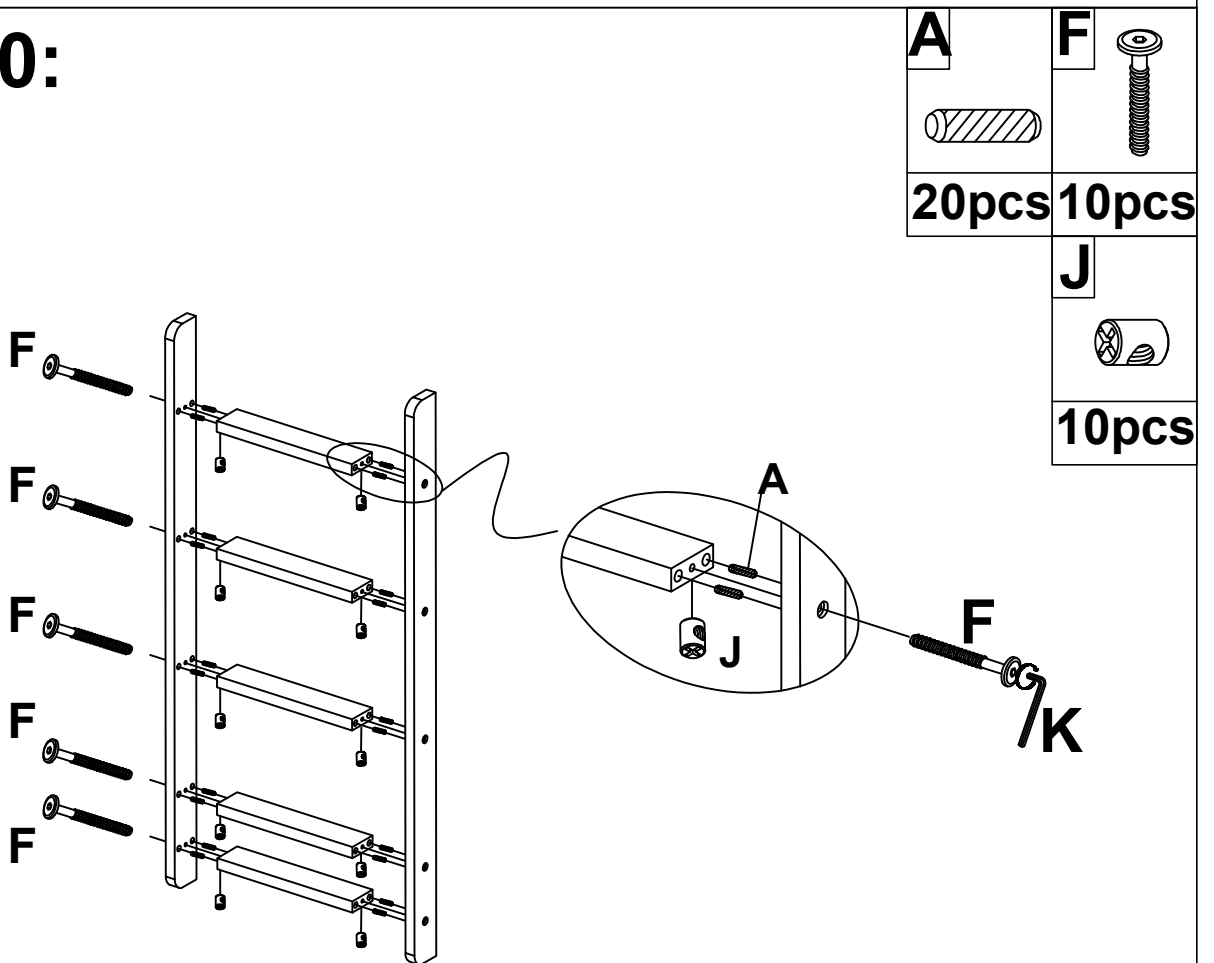


ATTENTION: PLEASE DON'T TIGHTEN ALL BOLTS IN THIS STEP, JUST TIGHTEN 80%

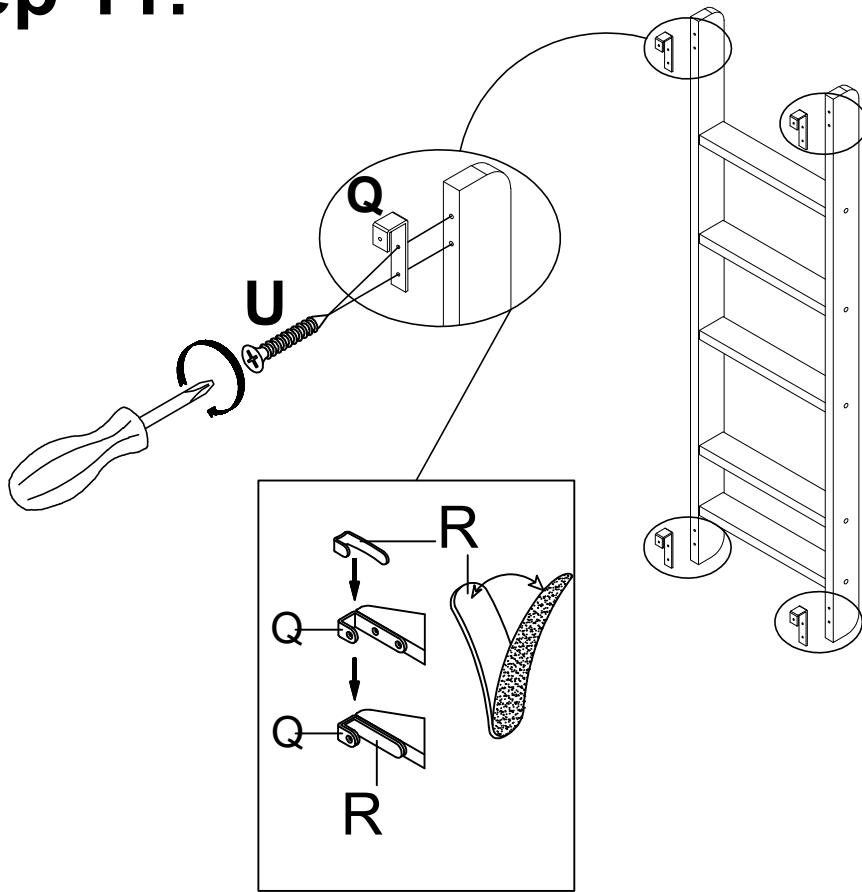
Step 9:

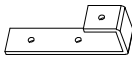




Step 10:

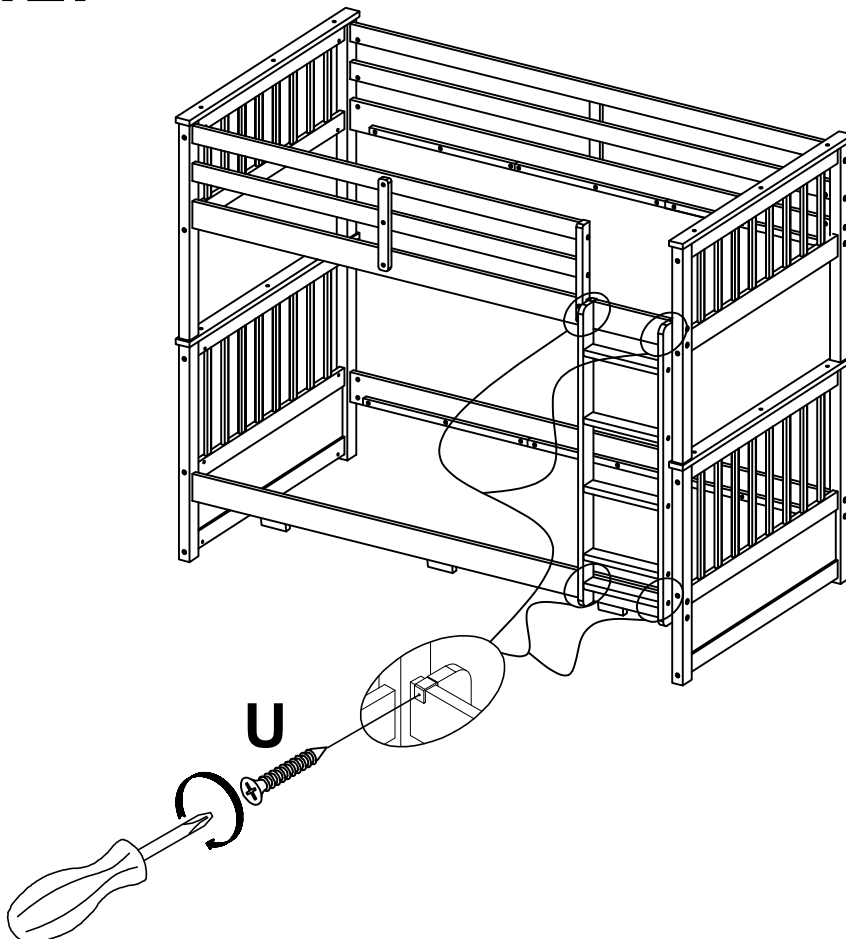



Step 11:



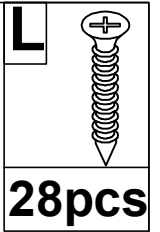
| | |
|---|---|
| Q  | U  |
| 4pcs | 8pcs |
| | R  |
| | 4pcs |

Step 12:

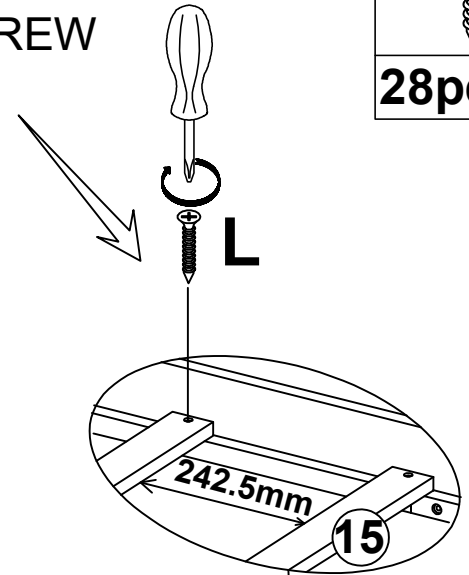


| |
|---|
| U  |
| 4pcs |

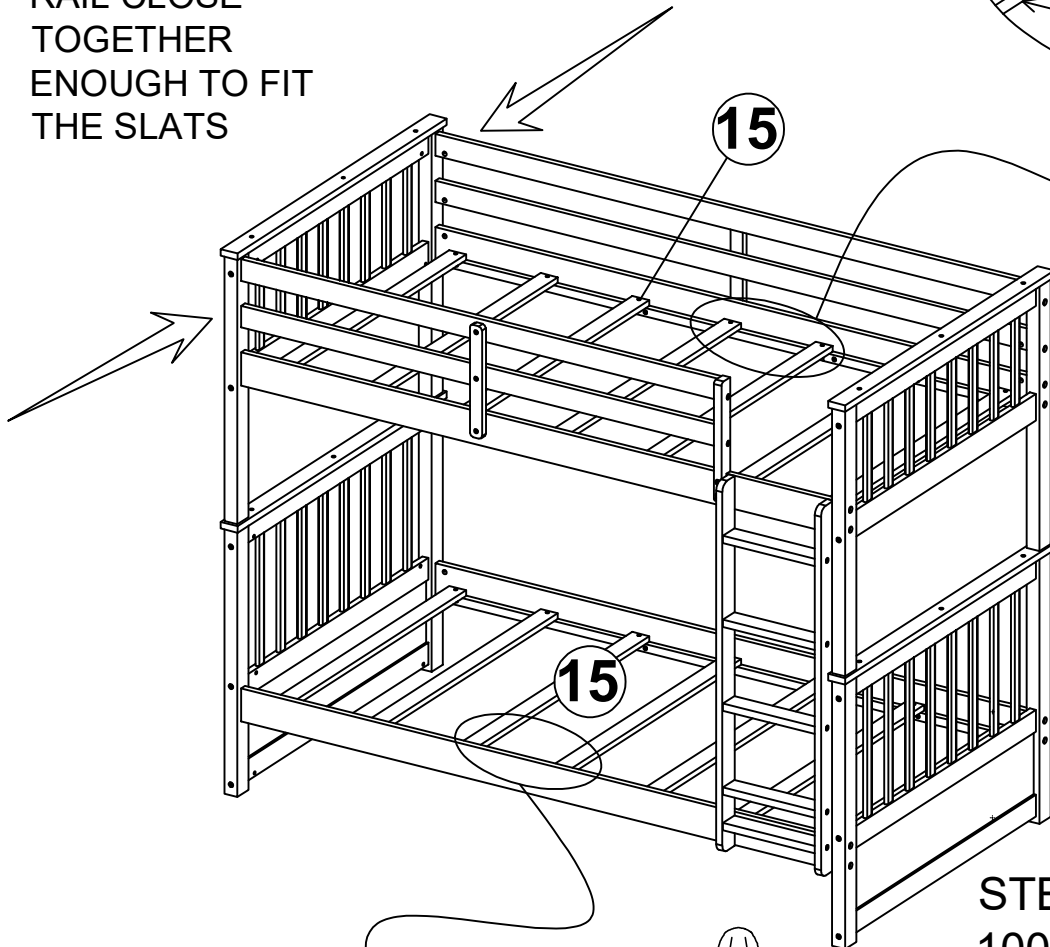
Step 13:



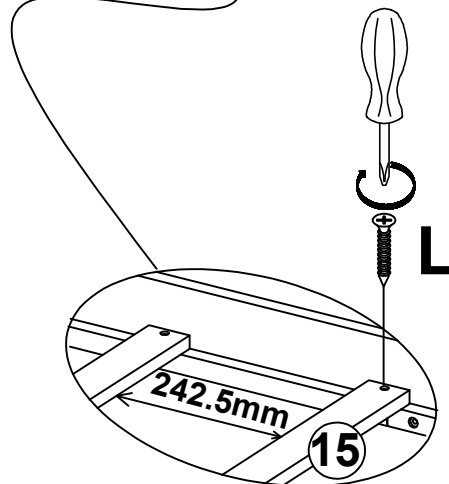
STEP 2: SCREW ALL SLATS



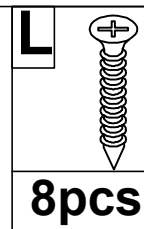
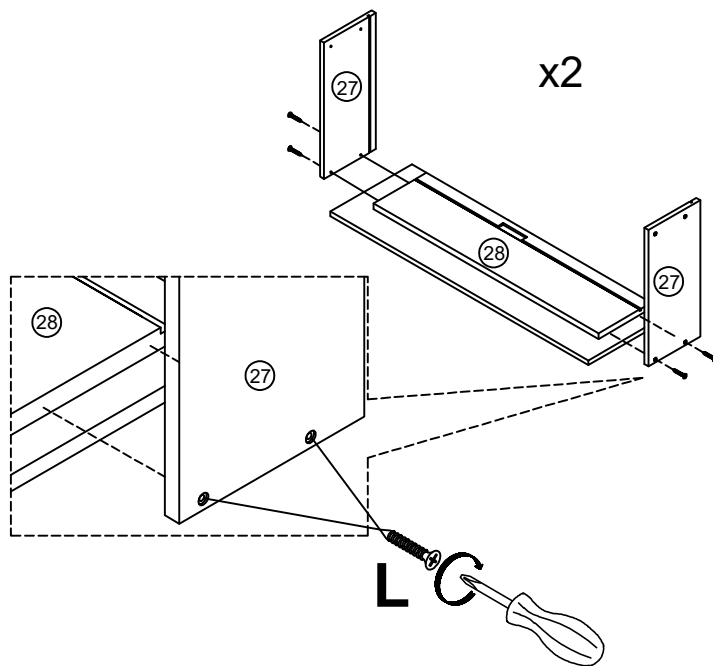
STEP 1: PULL SIDE RAIL CLOSE TOGETHER ENOUGH TO FIT THE SLATS



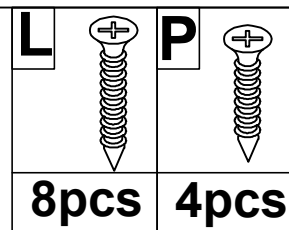
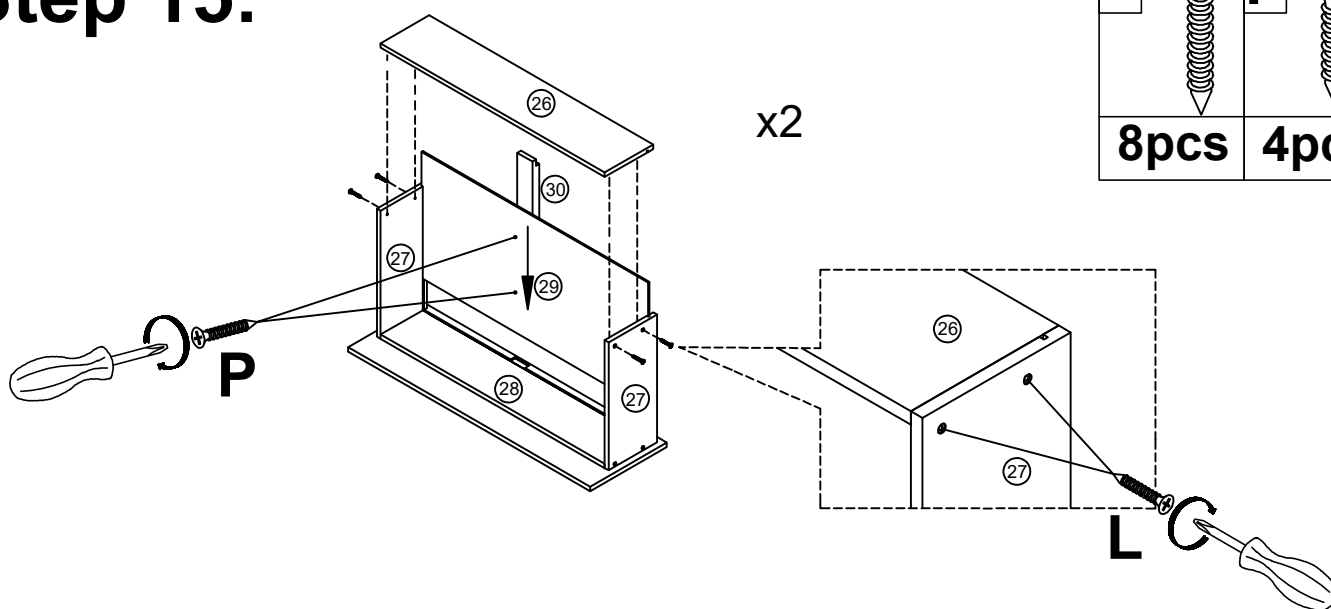
STEP 3: TIGHTEN 100% ALL HEXAGON BOLTS



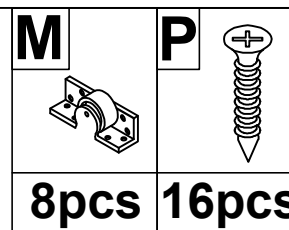
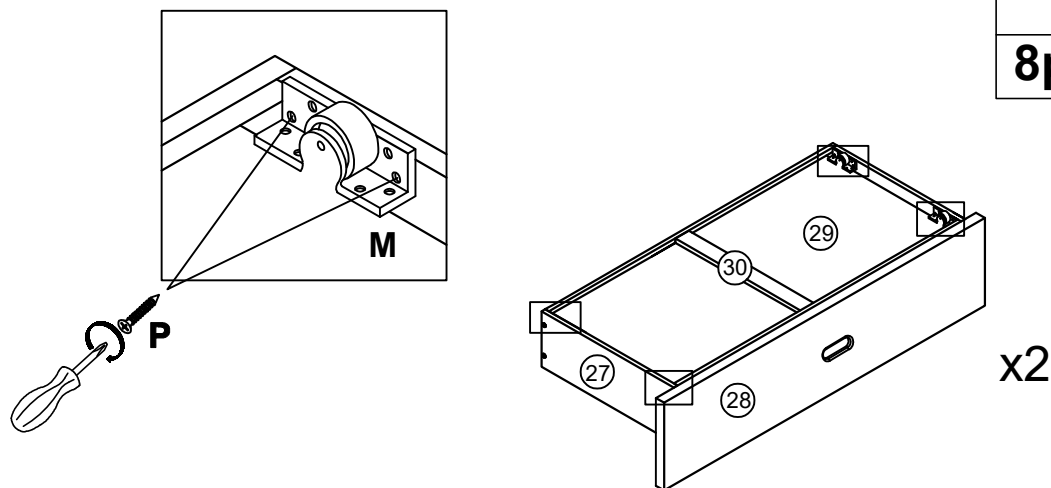
Step 14:



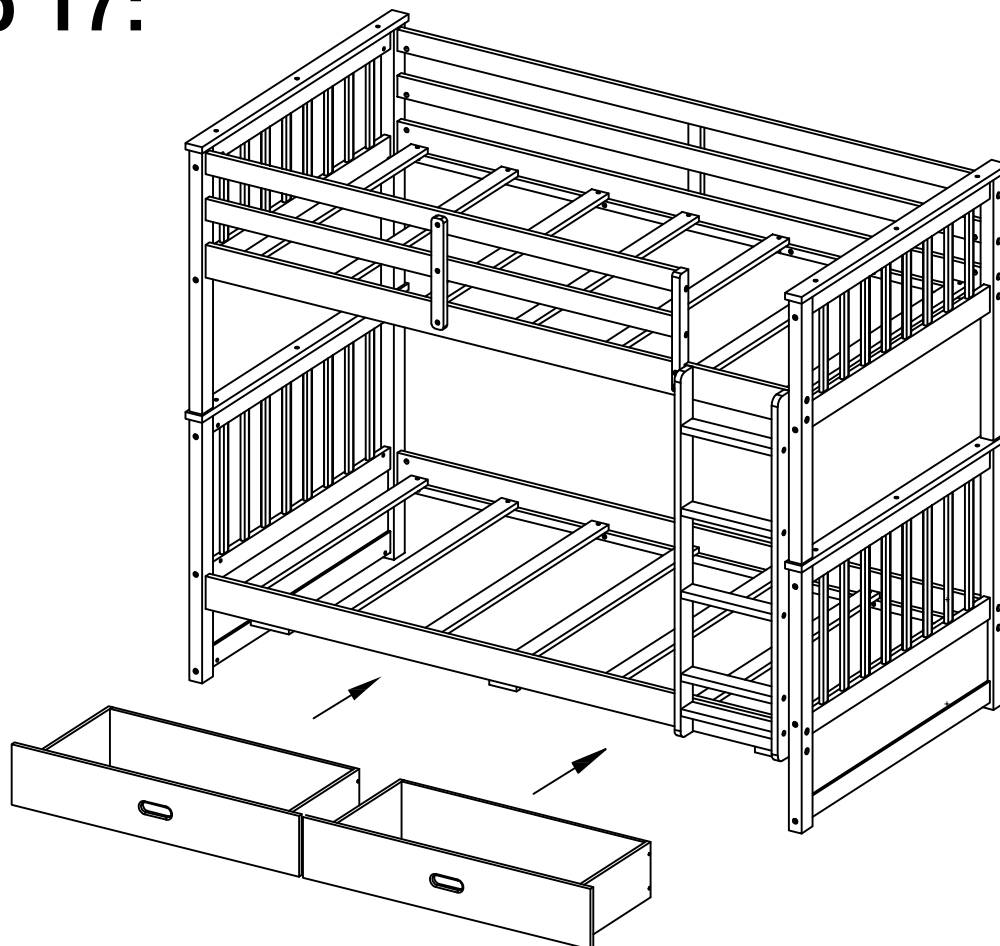
Step 15:



Step 16:



Step 17:



COMPLETED

