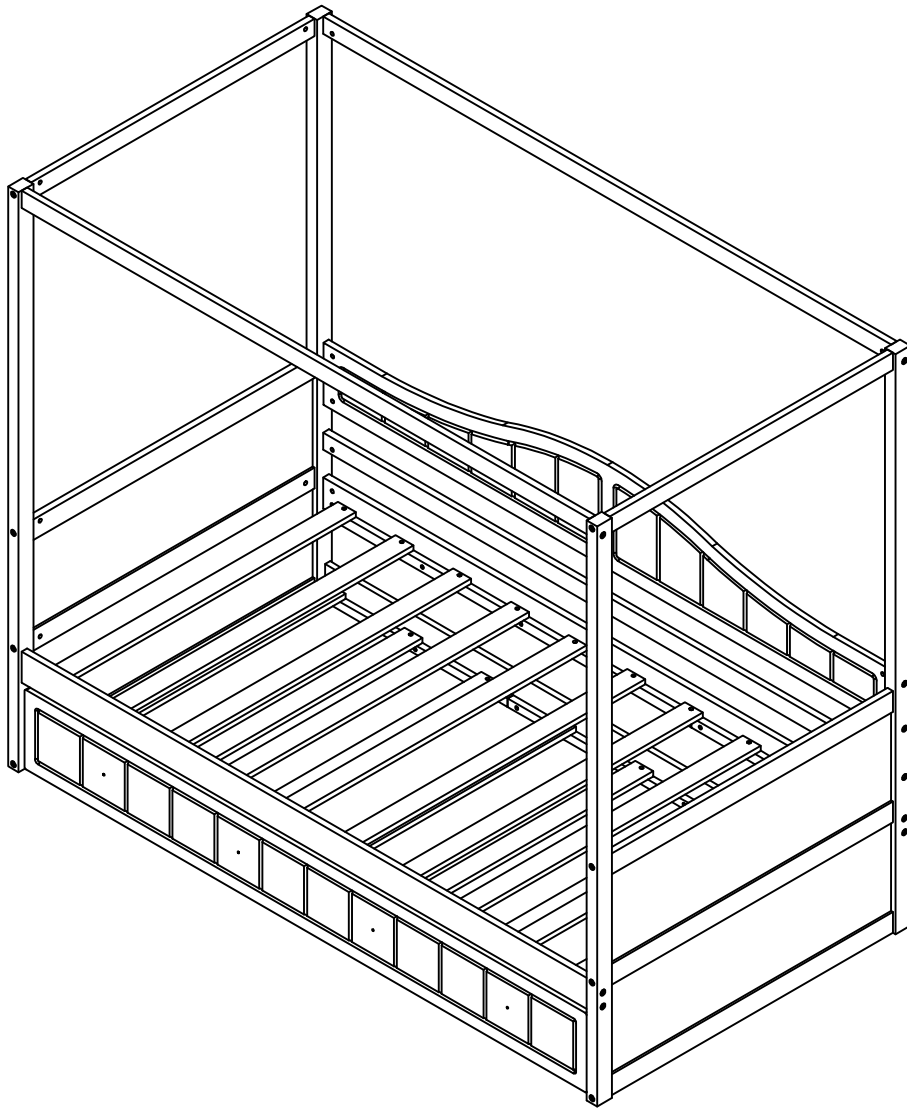
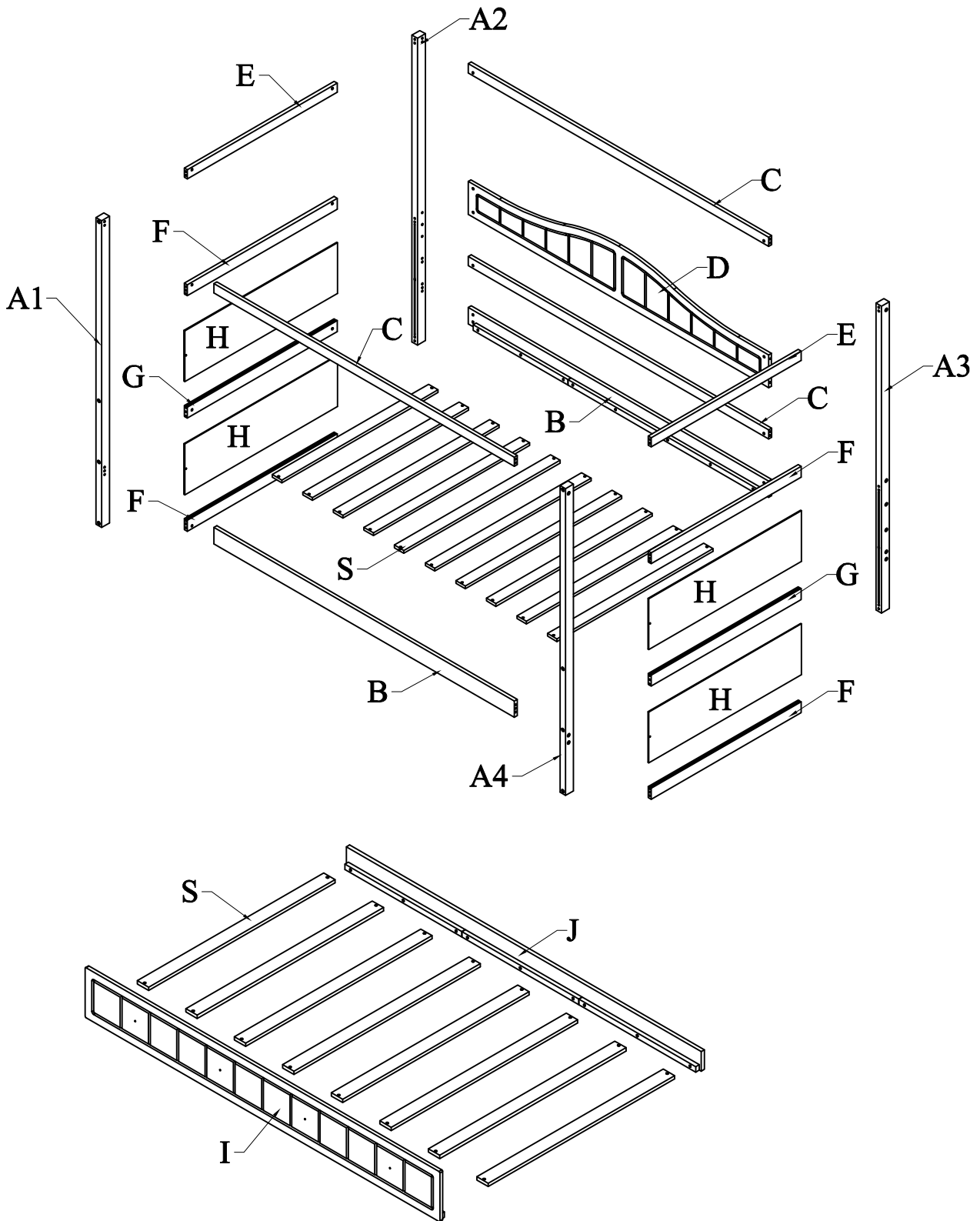


# ASSEMBLY INSTRUCTIONS





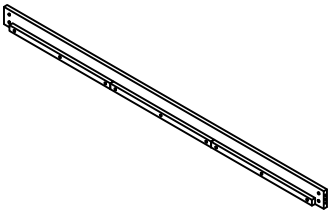
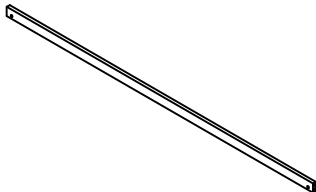
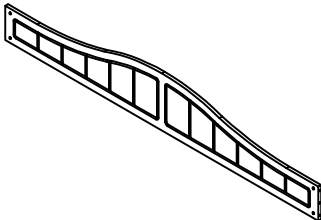
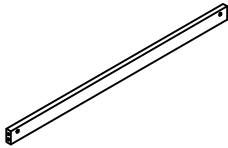
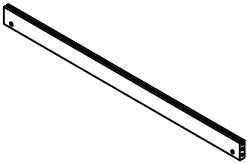
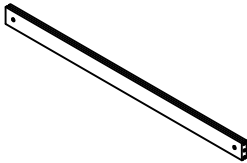
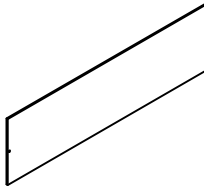
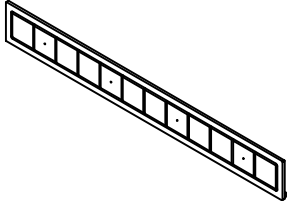
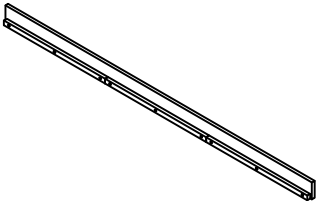
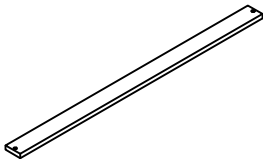
ITEM CODE: WF308885



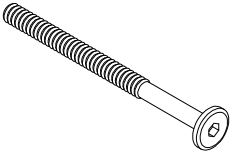
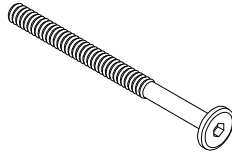

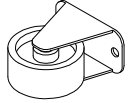
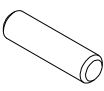
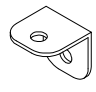
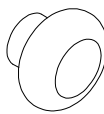
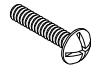
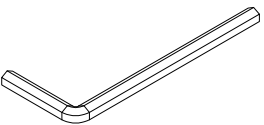


# DETAIL VIEW

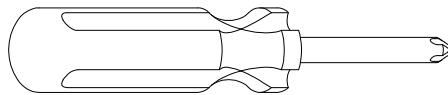


# BOX 1: WF308885

<p><b>A1</b></p>  <p>Front leg - left (1pc)</p>	<p><b>A2</b></p>  <p>Back leg - left (1pc)</p>	<p><b>A3</b></p>  <p>Back leg - right (1pc)</p>	<p><b>A4</b></p>  <p>Front leg - right (1pc)</p>
<p><b>B</b></p>  <p>Side rail (2pcs)</p>	<p><b>C</b></p>  <p>Back rail (2pcs)</p>	<p><b>D</b></p>  <p>Back panel (1pc)</p>	<p><b>E</b></p>  <p>Horizontal rail - top (2pcs)</p>
<p><b>F</b></p>  <p>Horizontal rail - bottom (4pcs)</p>	<p><b>G</b></p>  <p>Horizontal rail - middle (2pcs)</p>	<p><b>H</b></p>  <p>Side panel (4pcs)</p>	<p><b>I</b></p>  <p>Front trundle (1pc)</p>
<p><b>J</b></p>  <p>Back trundle (1pc)</p>	<p><b>S</b></p>  <p>Slats (18pcs)</p>		

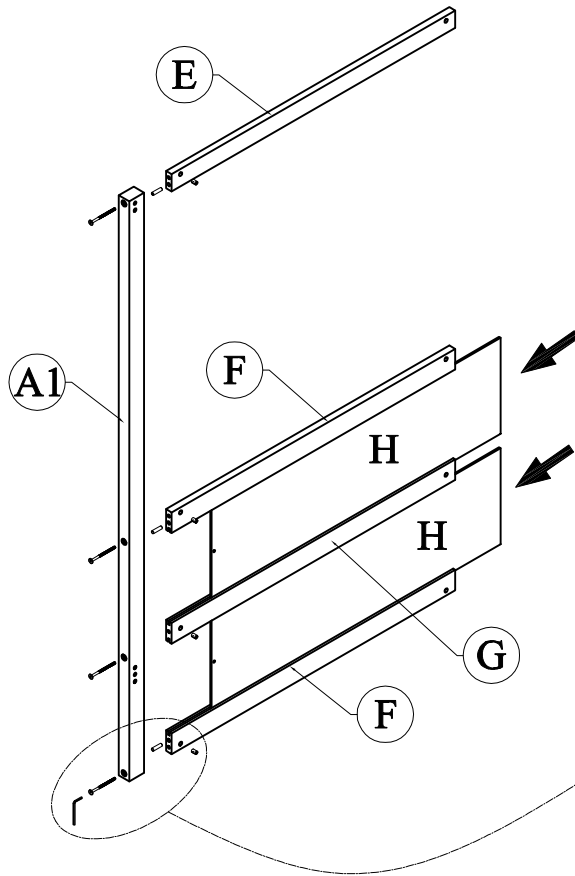
# HARDWARE LIST: WF308885



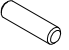
<p>1</p>  <p>Hex - Head bolts Ø1/4" * 90 - 16pcs</p>	<p>2</p>  <p>Hex - Head bolts Ø1/4" * 80 - 18pcs</p>	<p>3</p>  <p>Horizontal - Hold bolts Ø1/4" - 34pcs</p>	<p>4</p>  <p>Wheel 4pcs</p>
<p>5</p>  <p>Wood dowel Ø8 * 30 - 24pcs</p>	<p>6</p>  <p>L - Bracket - 4pcs</p>	<p>7</p>  <p>Handle - 4pcs</p>	<p>8</p>  <p>Round crews Ø5/32" * 22 - 4pcs</p>
<p>9</p>  <p>Allen key K4 - 1pc</p>	<p>10</p>  <p>Wood crews M4 * 25 - 36pcs</p>	<p>11</p>  <p>Wood crews M3.5 * 15 - 16pcs</p>	

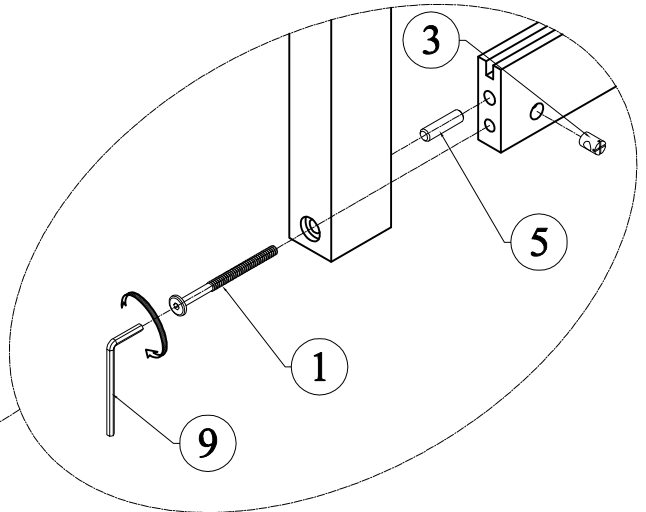


**Assembly Tools Required (Not Included)**

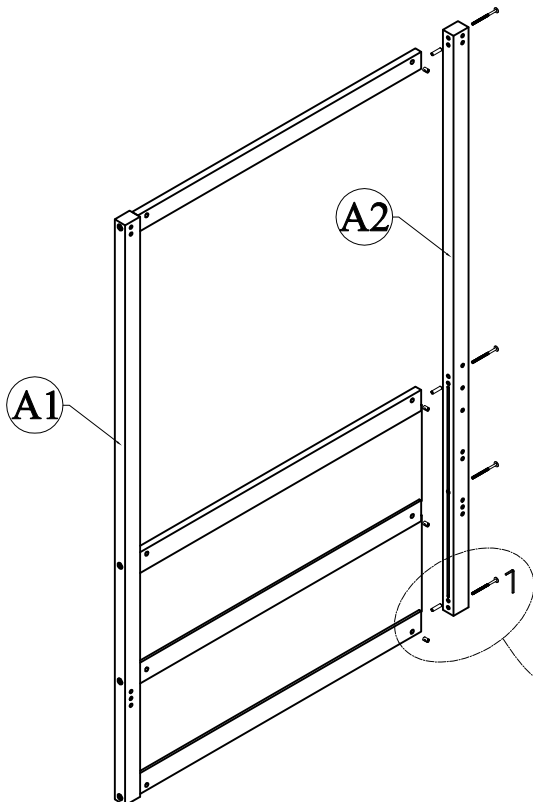
# STEP 1






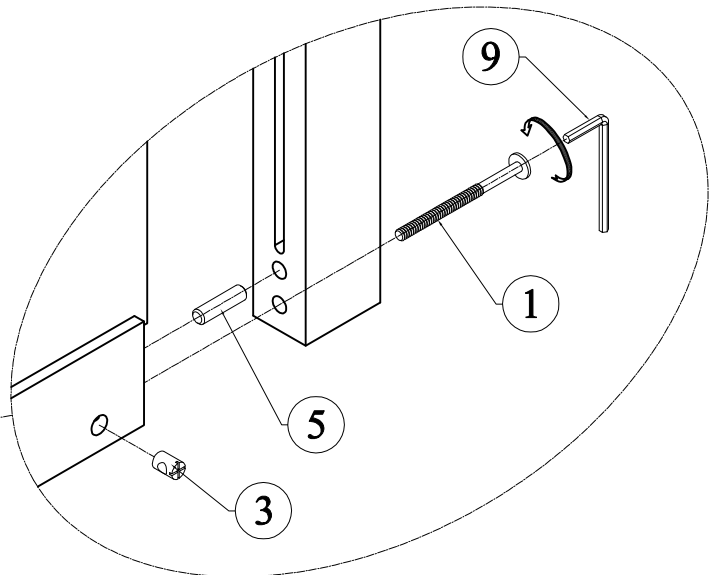
<p><b>1</b></p>  <p>Hex - Head bolts Ø1/4" * 90- 4pcs</p>	<p><b>3</b></p>  <p>Horizontal - Hold bolts Ø1/4" - 4pcs</p>	<p><b>5</b></p>  <p>Wood dowel Ø8 * 30 - 3pcs</p>
---	---	--



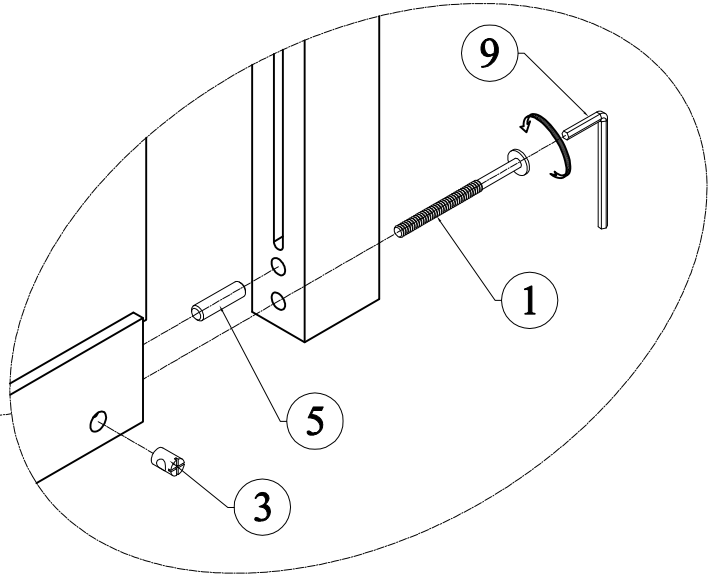
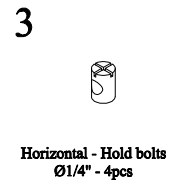
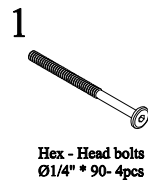
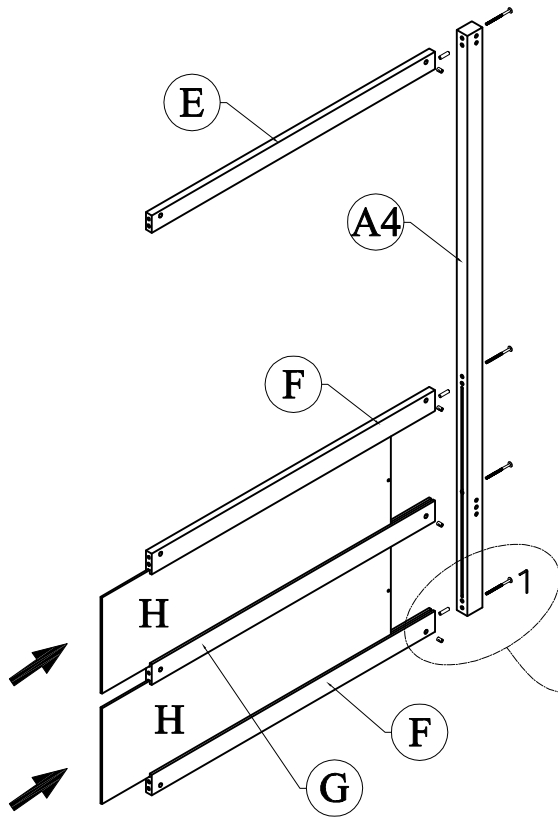
# STEP 2



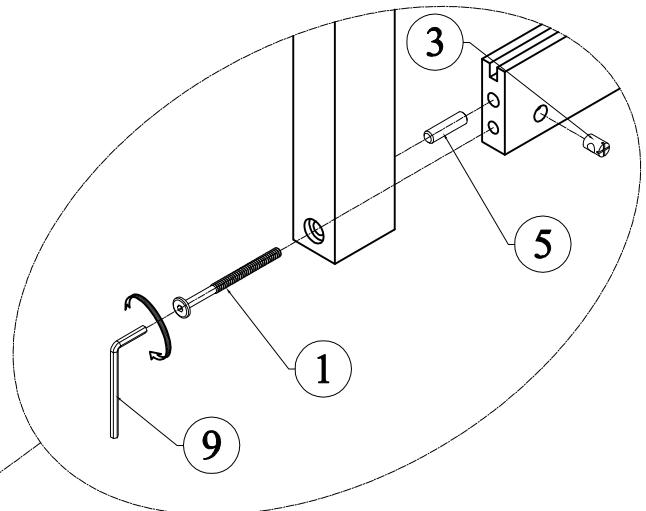
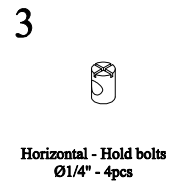
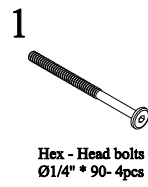
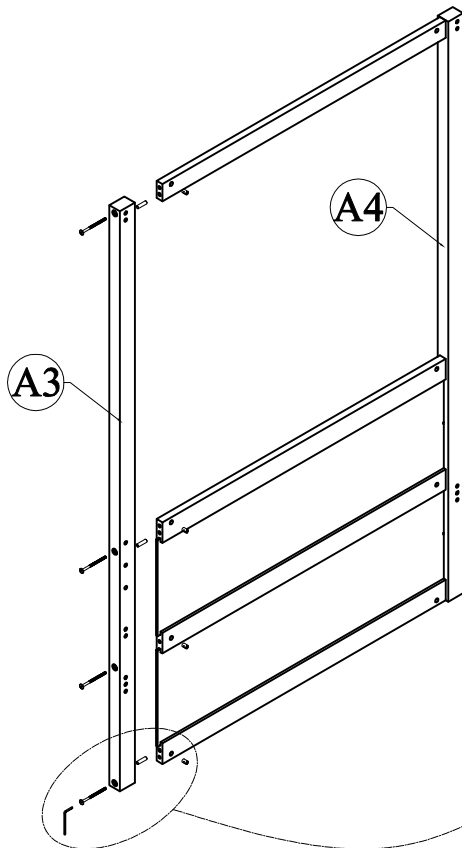
<p><b>1</b></p>  <p>Hex - Head bolts Ø1/4" * 90- 4pcs</p>	<p><b>3</b></p>  <p>Horizontal - Hold bolts Ø1/4" - 4pcs</p>	<p><b>5</b></p>  <p>Wood dowel Ø8 * 30 - 3pcs</p>
---	---	--





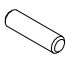
# STEP 3

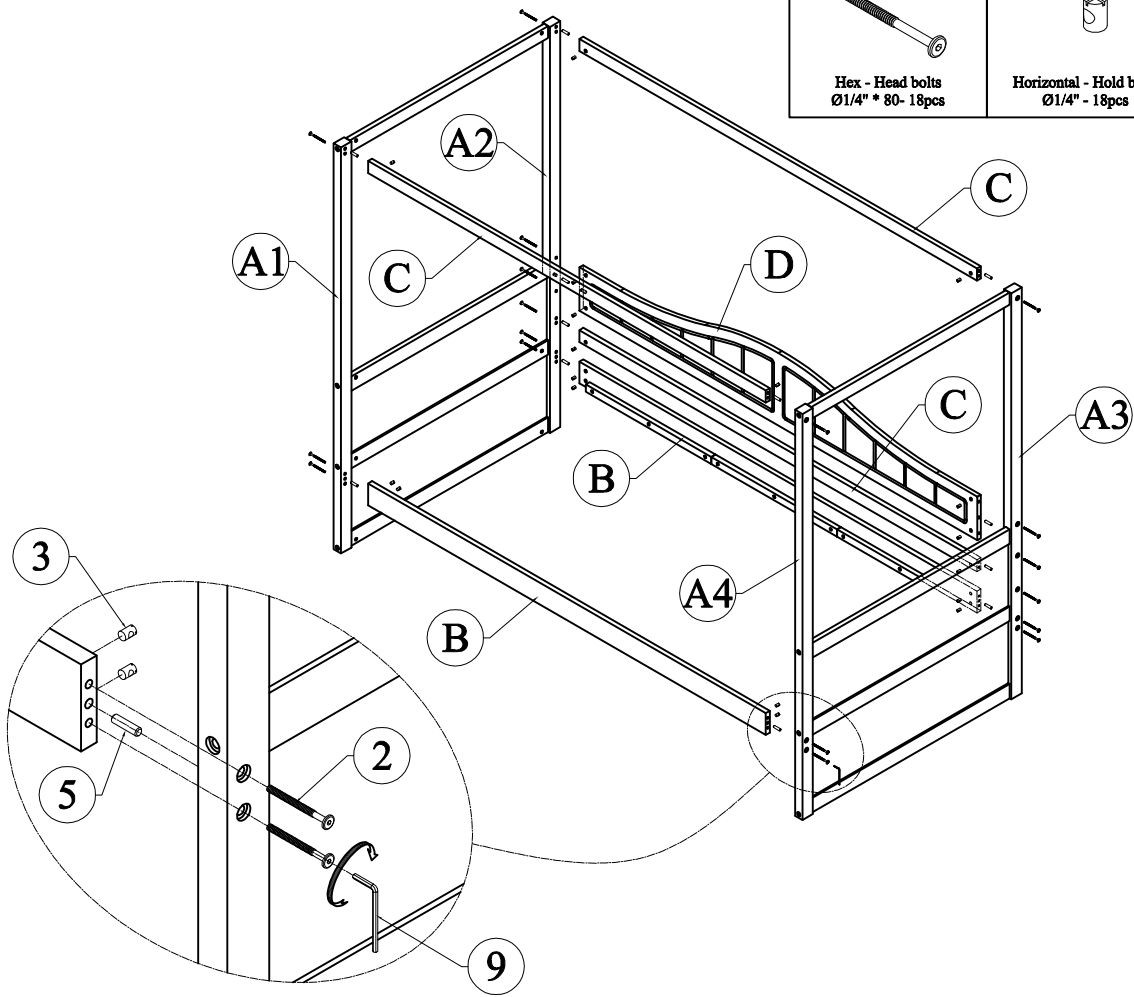


# STEP 4




# STEP 5

<p>2</p>  <p>Hex - Head bolts Ø1/4" * 80- 18pcs</p>	<p>3</p>  <p>Horizontal - Hold bolts Ø1/4" - 18pcs</p>	<p>5</p>  <p>Wood dowel Ø8 * 30 - 12pcs</p>
---	---	--

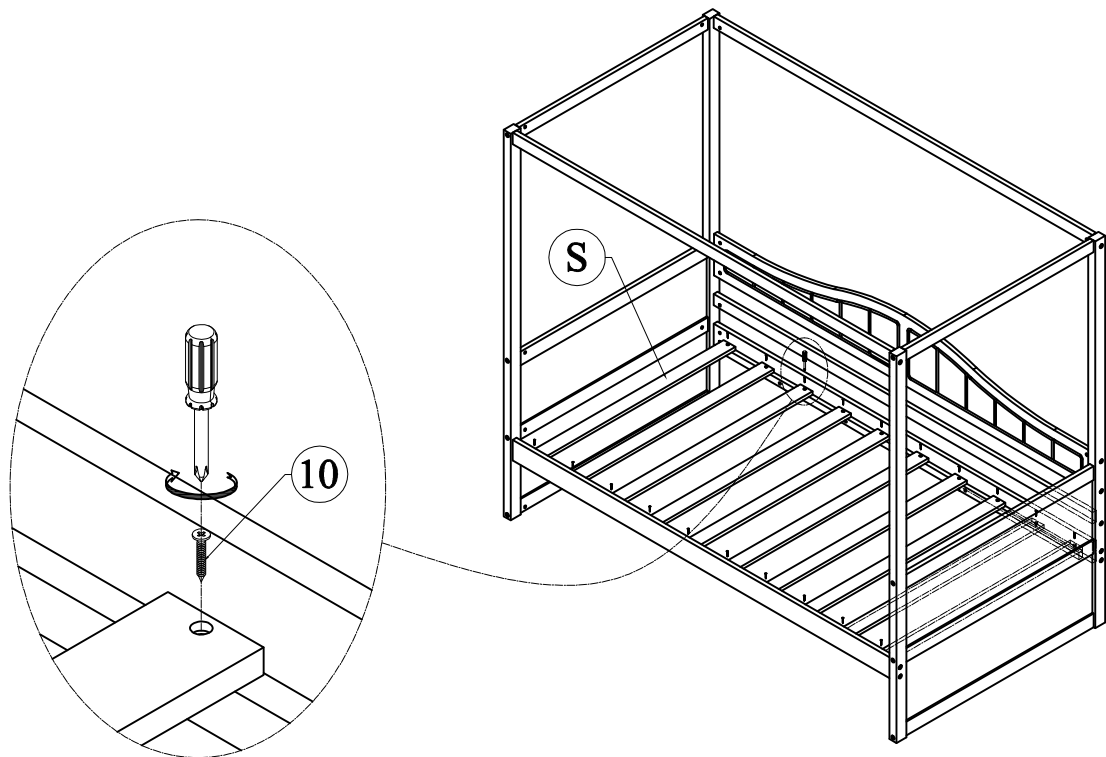


# STEP 6

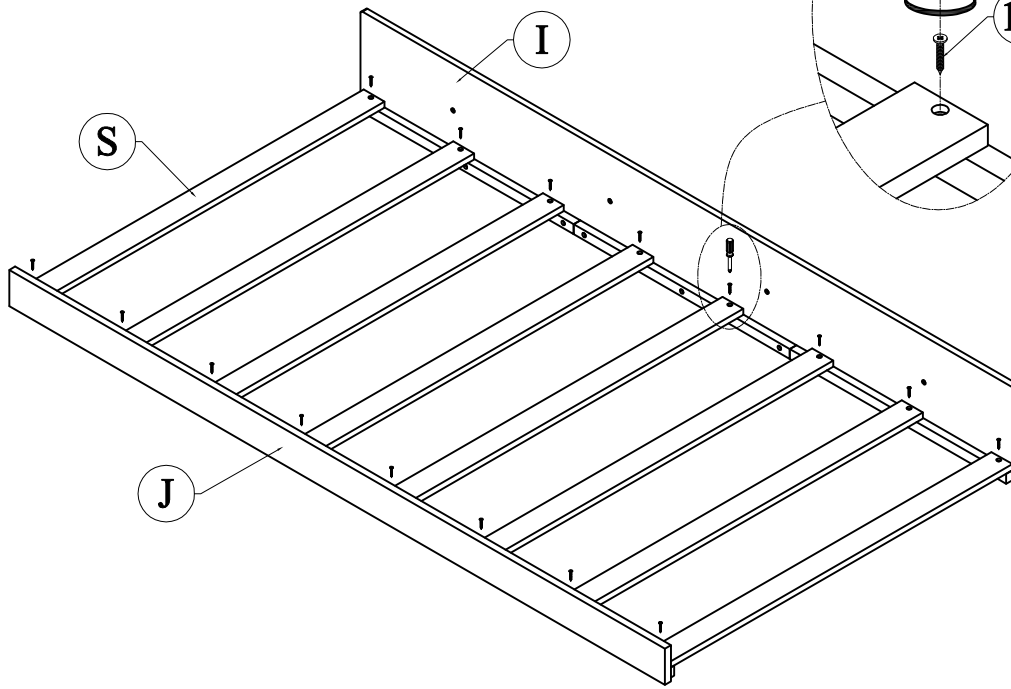
10



Wood crews  
M4 \* 25 - 20pcs



# STEP 7

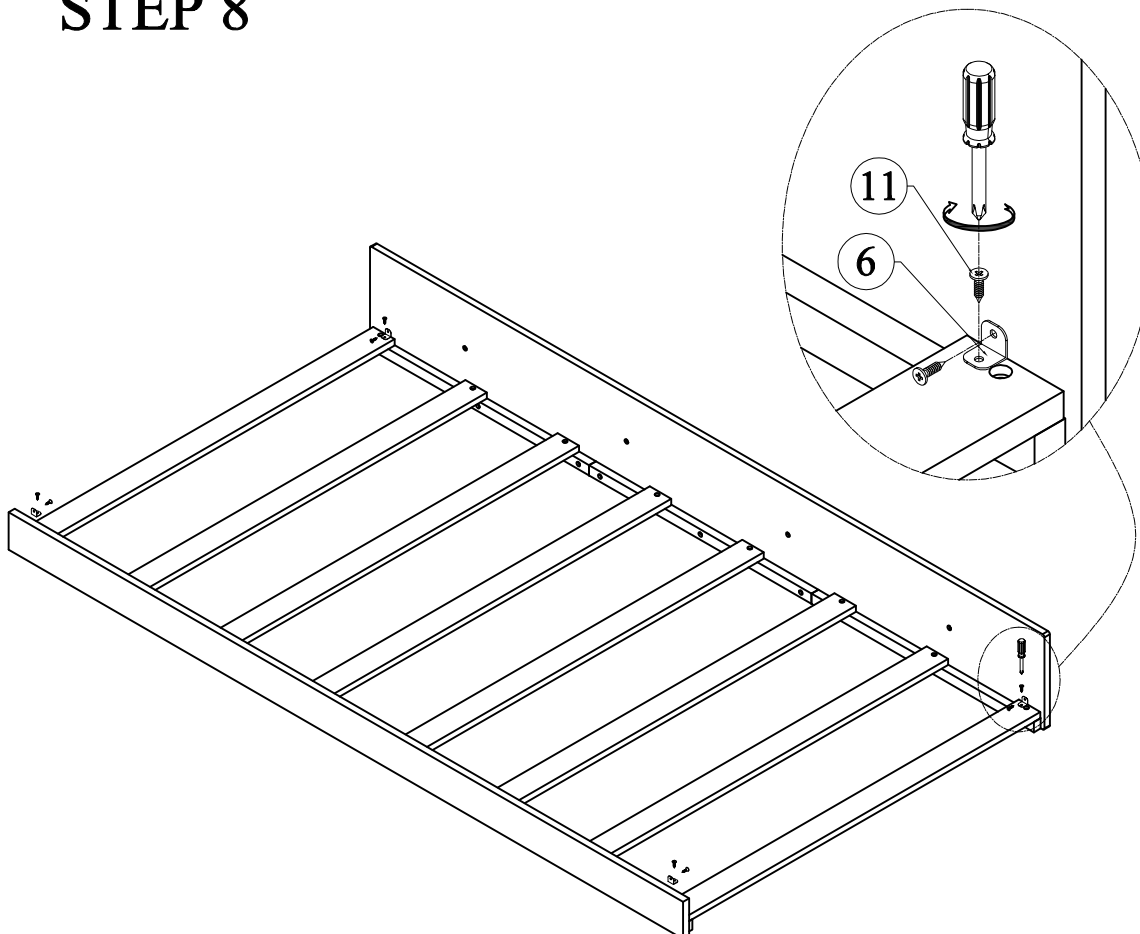


10



Wood screws  
M4 \* 25 - 16pcs

# STEP 8



6



L - Bracket - 4pcs

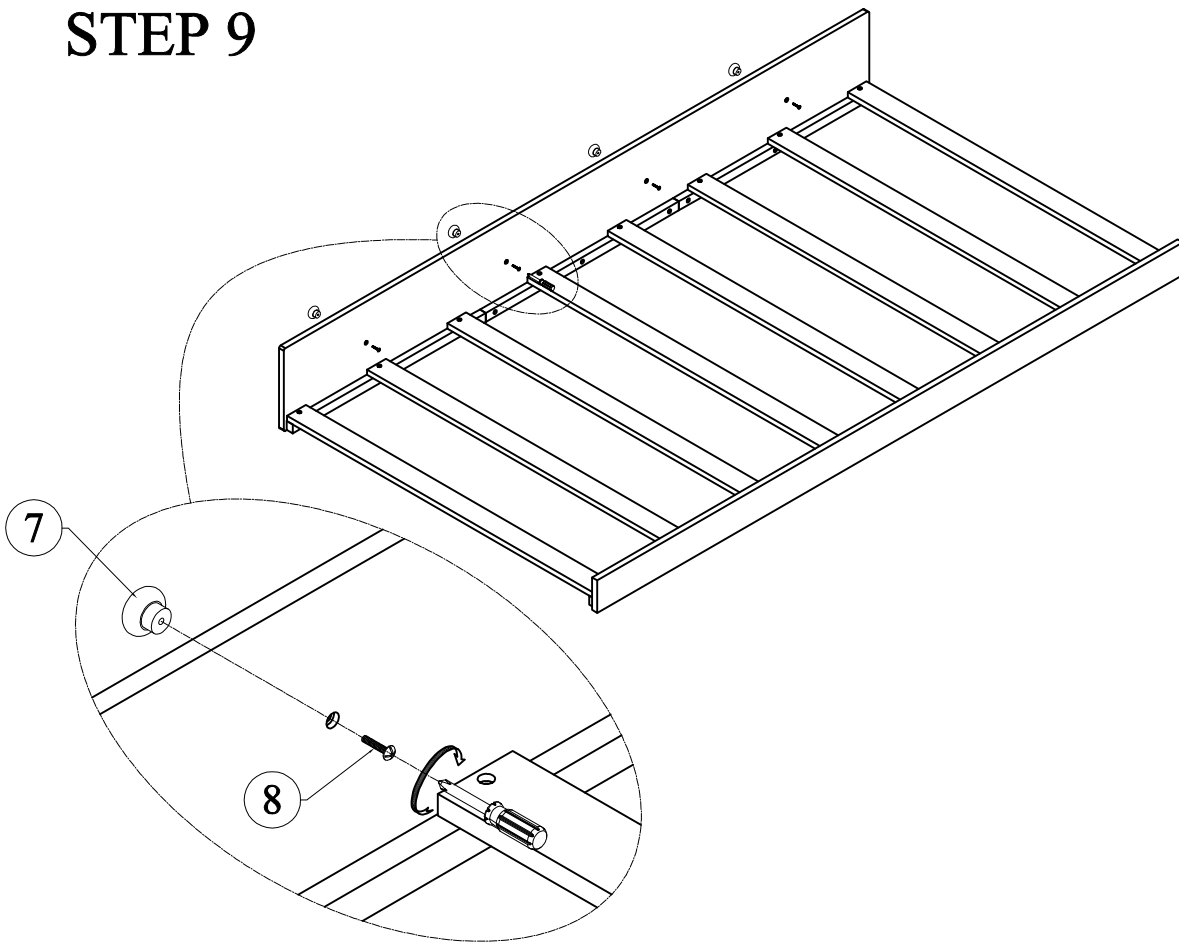
11



Wood screws  
M3.5 \* 15 - 8pcs



# STEP 9



7



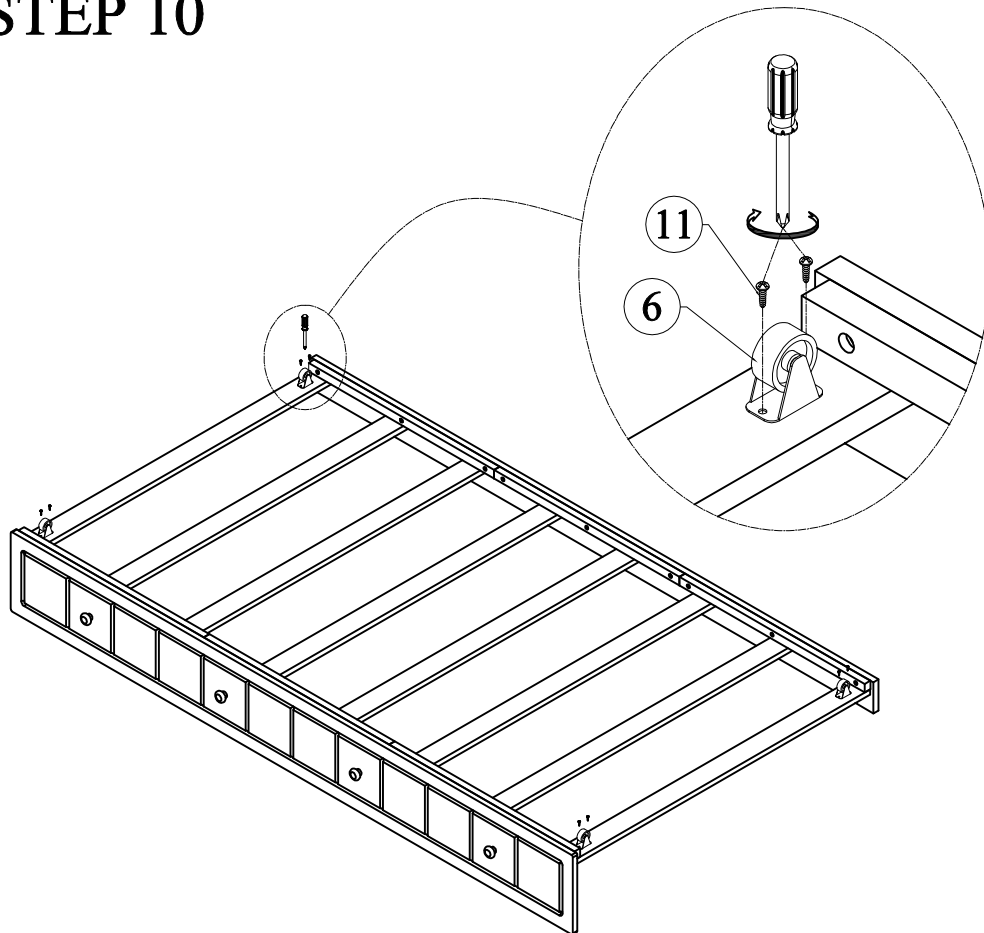
Handle - 4pcs

8



Round crews  
Ø5/32" \* 22 - 4pcs

# STEP 10



6



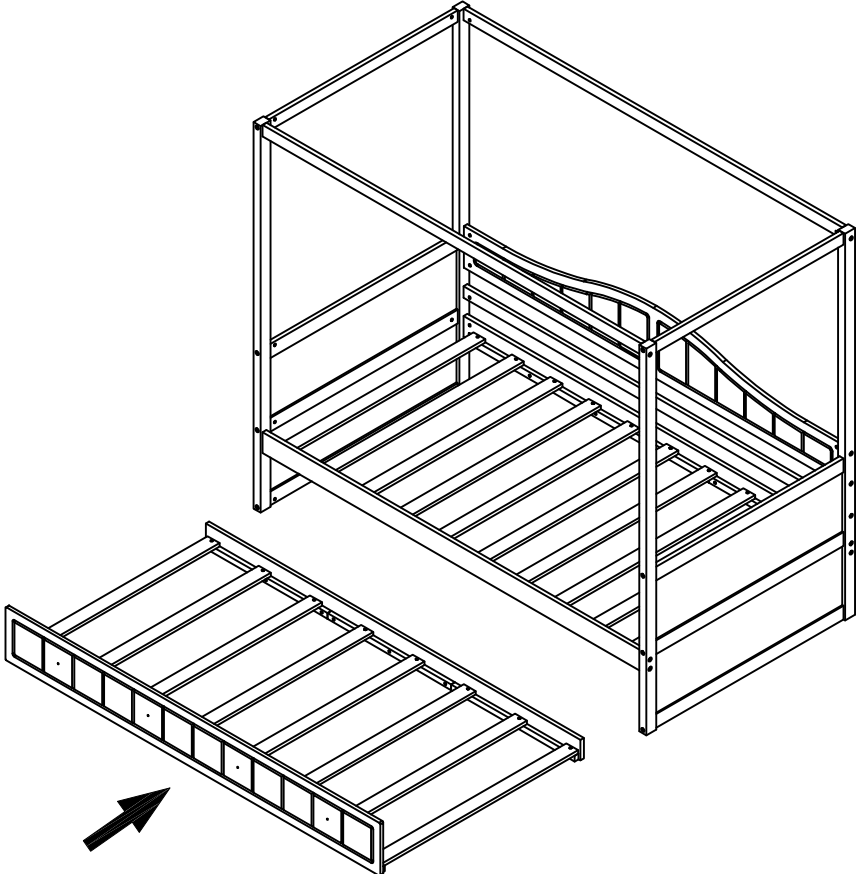
L - Bracket - 4pcs

11



Wood crews  
M3.5 \* 15 - 8pcs

# STEP 11



# COMPLETED

