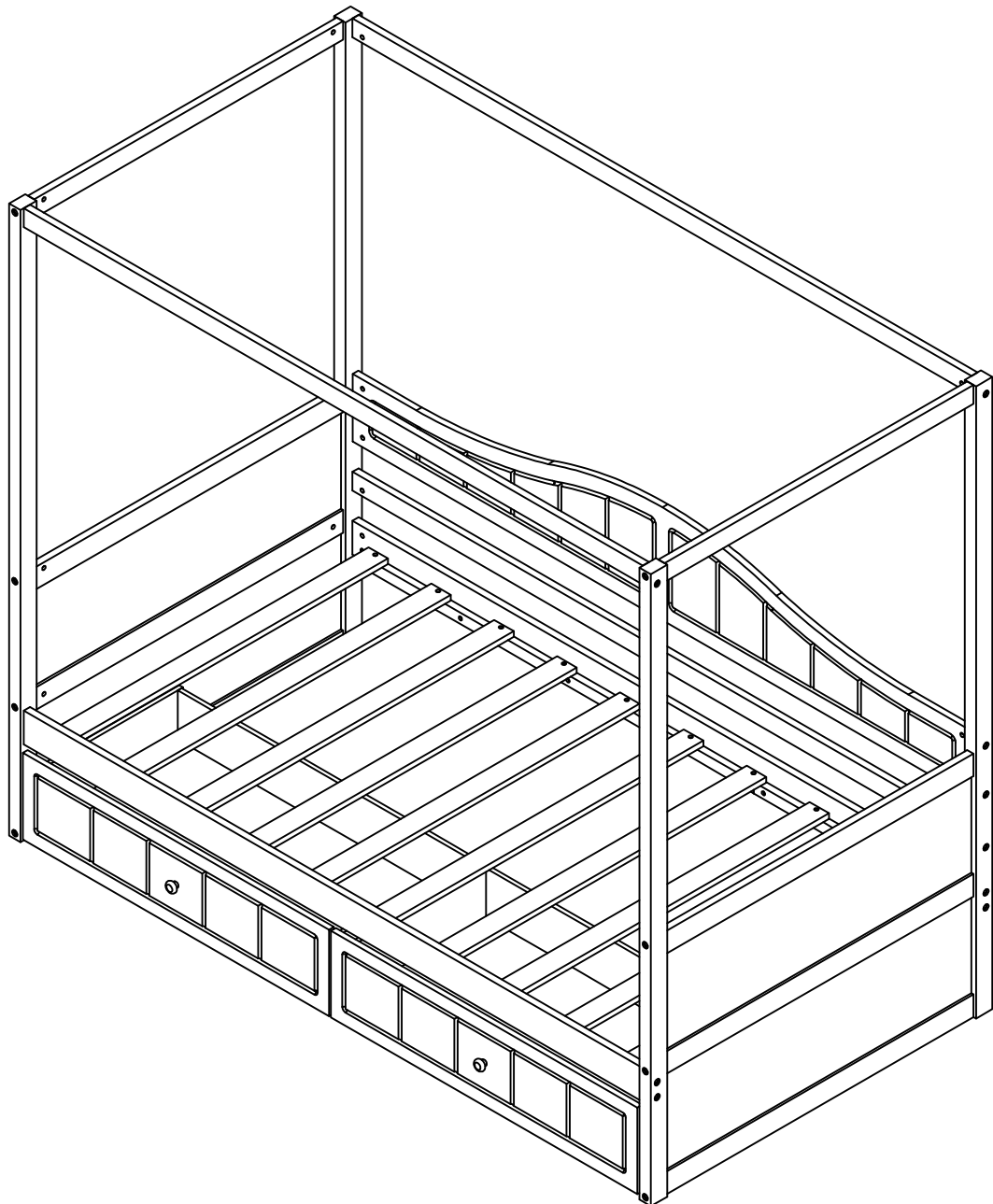
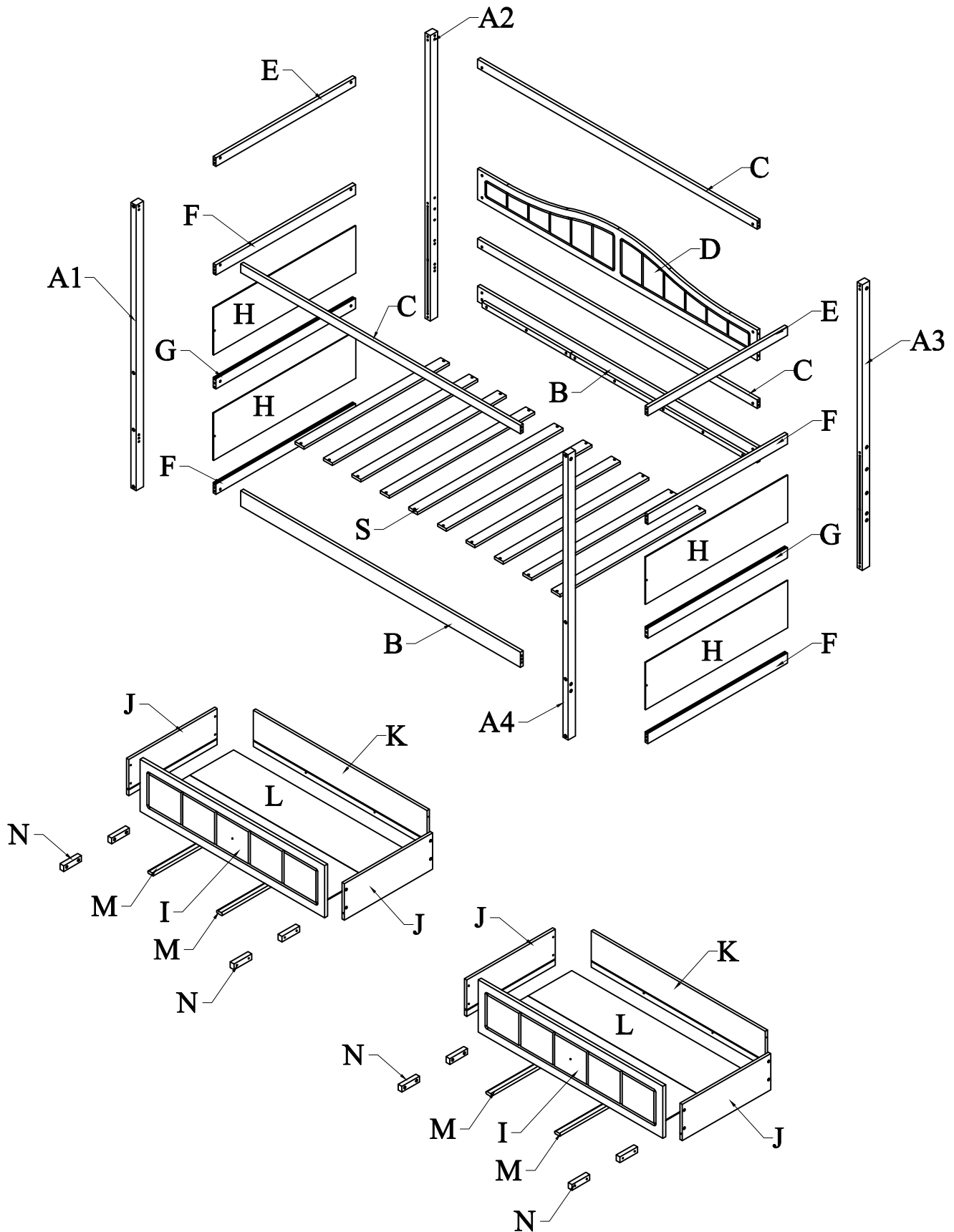


# ASSEMBLY INSTRUCTIONS


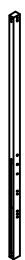


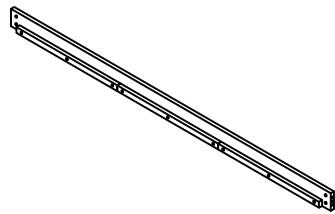
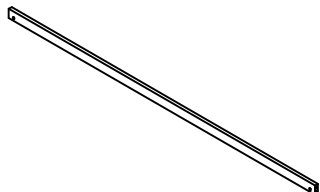
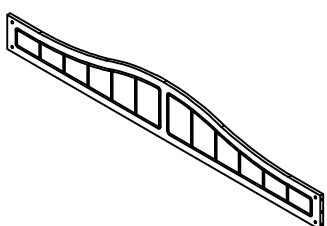
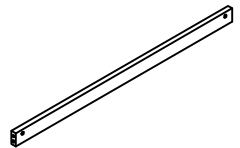
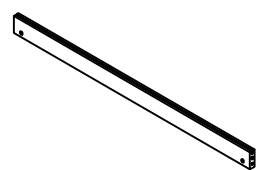
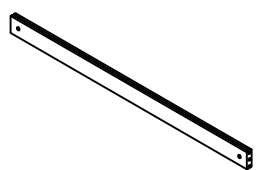
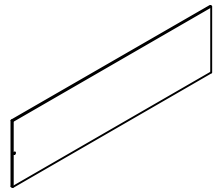
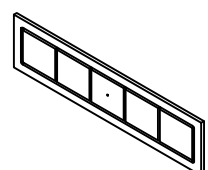
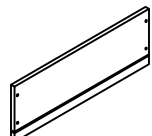
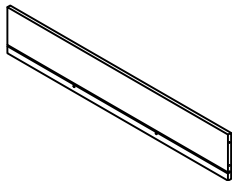
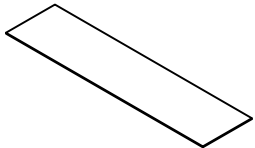

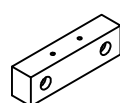
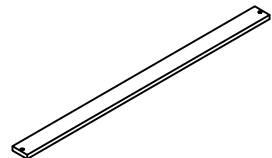
ITEM CODE: WF309172



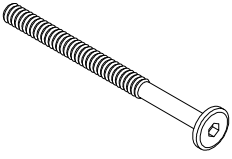
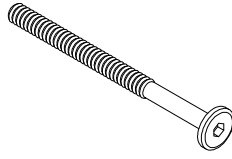

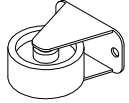
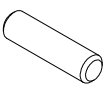
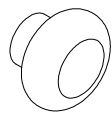
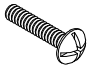
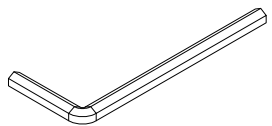
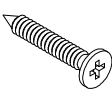

# DETAIL VIEW

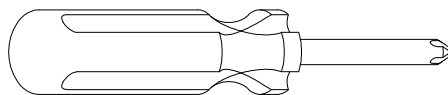


# BOX 1: WF309172

<p><b>A1</b></p>  <p>Front leg - left (1pc)</p>	<p><b>A2</b></p>  <p>Back leg - left (1pc)</p>	<p><b>A3</b></p>  <p>Back leg - right (1pc)</p>	<p><b>A4</b></p>  <p>Front leg - right (1pc)</p>
<p><b>B</b></p>  <p>Side rail (2pcs)</p>	<p><b>C</b></p>  <p>Back rail (2pcs)</p>	<p><b>D</b></p>  <p>Back panel (1pc)</p>	<p><b>E</b></p>  <p>Horizontal rail - top (2pcs)</p>
<p><b>F</b></p>  <p>Horizontal rail - bottom (4pcs)</p>	<p><b>G</b></p>  <p>Horizontal rail - middle (2pcs)</p>	<p><b>H</b></p>  <p>Side panel (4pcs)</p>	<p><b>I</b></p>  <p>Front drawers (2pcs)</p>
<p><b>J</b></p>  <p>Side drawer (4pcs)</p>	<p><b>K</b></p>  <p>Back drawers (2pcs)</p>	<p><b>L</b></p>  <p>Bottom drawers (4pcs)</p>	<p><b>M</b></p>  <p>Support drawers (4pcs)</p>
<p><b>N</b></p>  <p>Support wheel (8pcs)</p>	<p><b>S</b></p>  <p>Slats (10pcs)</p>		

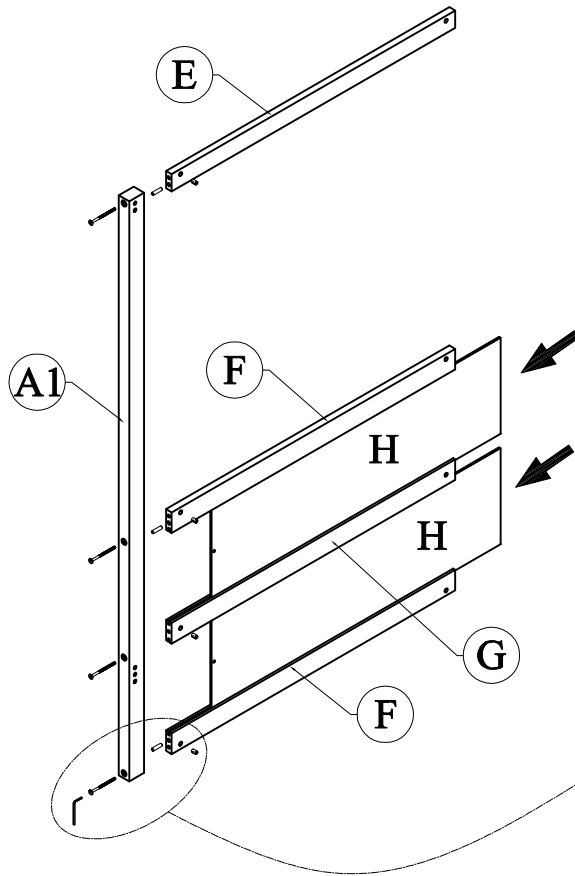
# HARDWARE LIST: WF309172




<p>1</p>  <p>Hex - Head bolts Ø1/4" * 90 - 16pcs</p>	<p>2</p>  <p>Hex - Head bolts Ø1/4" * 80 - 18pcs</p>	<p>3</p>  <p>Horizontal - Hold bolts Ø1/4" - 34pcs</p>	<p>4</p>  <p>Wheel 8pcs</p>
<p>5</p>  <p>Wood dowel Ø8 * 30 - 24pcs</p>	<p>6</p>  <p>Handle - 2pcs</p>	<p>7</p>  <p>Round crews Ø5/32" * 22 - 2pcs</p>	<p>8</p>  <p>Allen key K4 - 1pc</p>
<p>9</p>  <p>Wood crews M4 * 25 - 56pcs</p>	<p>10</p>  <p>Wood crews M3.5 * 15 - 16pcs</p>		

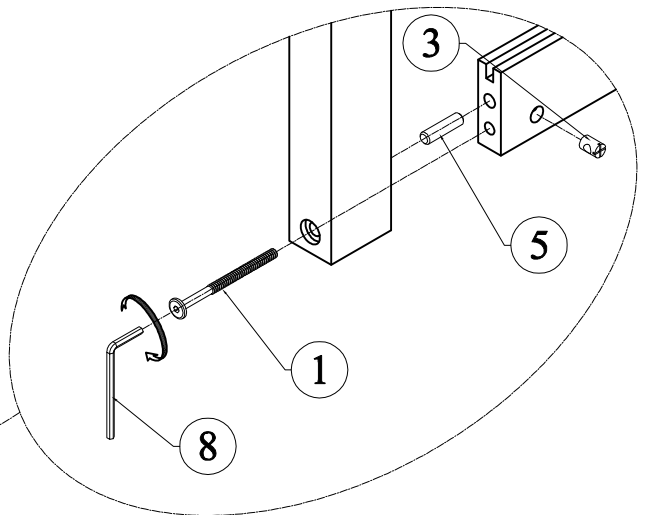


**Assembly Tools Required (Not Included)**

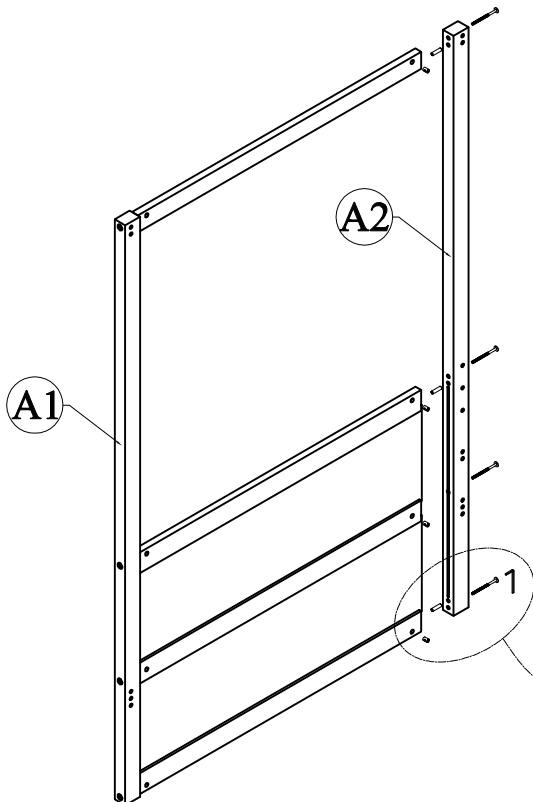
# STEP 1






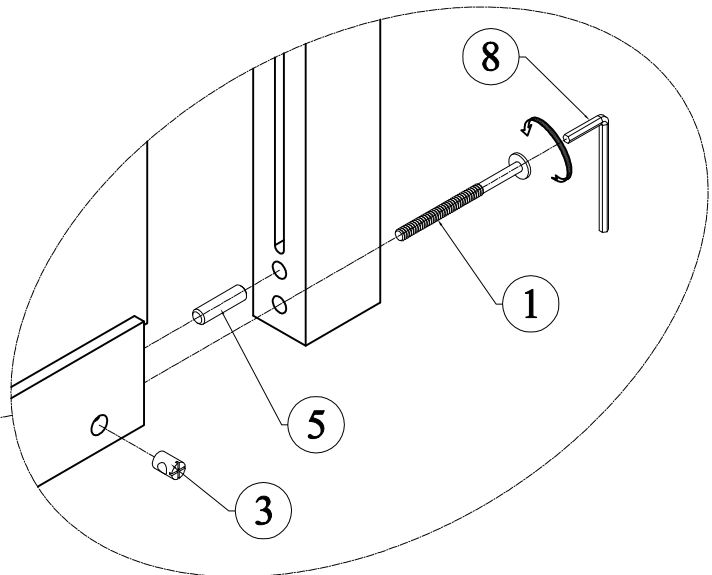
<p>1</p>  <p>Hex - Head bolts Ø1/4" * 90- 4pcs</p>	<p>3</p>  <p>Horizontal - Hold bolts Ø1/4" - 4pcs</p>	<p>5</p>  <p>Wood dowel Ø8 * 30 - 3pcs</p>
--	--	---



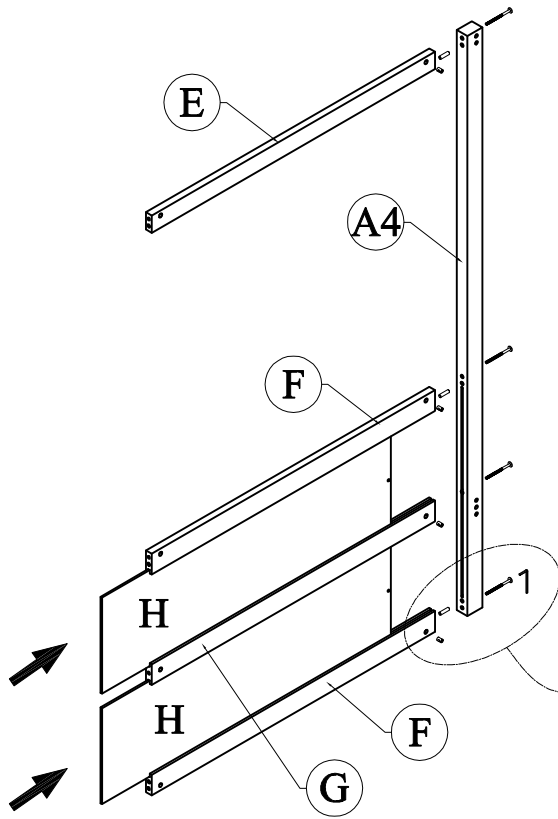
# STEP 2



<p>1</p>  <p>Hex - Head bolts Ø1/4" * 90- 4pcs</p>	<p>3</p>  <p>Horizontal - Hold bolts Ø1/4" - 4pcs</p>	<p>5</p>  <p>Wood dowel Ø8 * 30 - 3pcs</p>
--	--	---



# STEP 3



**1**

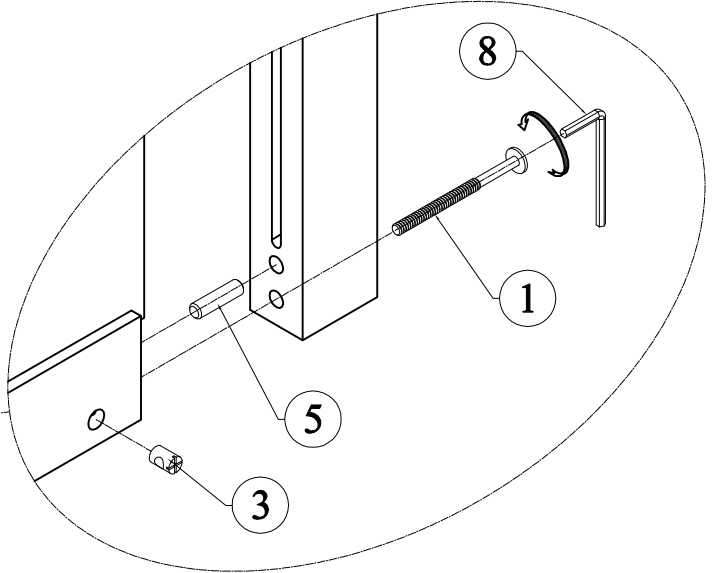
Hex - Head bolts  
Ø1/4" \* 90- 4pcs

**3**

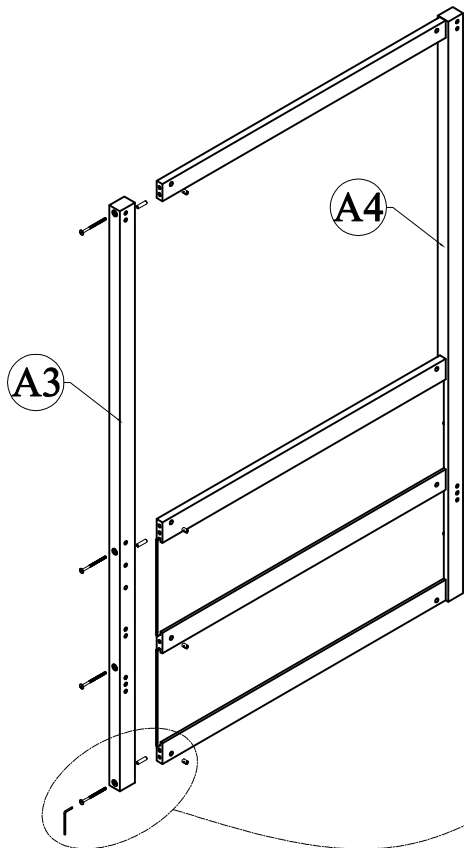
Horizontal - Hold bolts  
Ø1/4" - 4pcs

**5**

Wood dowel  
Ø8 \* 30 - 3pcs



# STEP 4



**1**

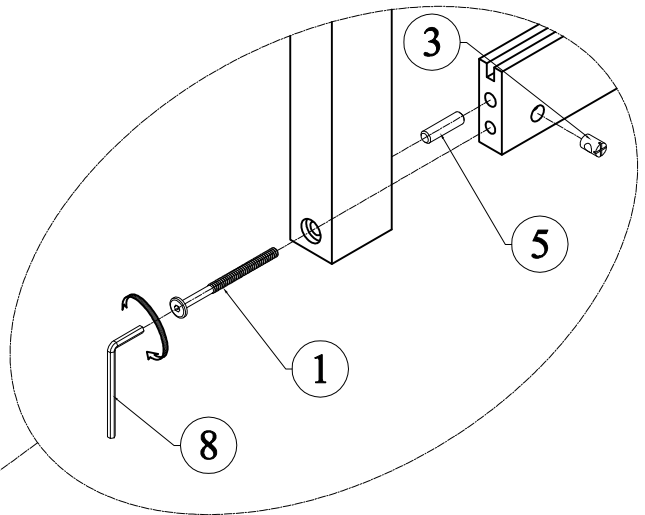
Hex - Head bolts  
Ø1/4" \* 90- 4pcs

**3**



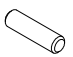
Horizontal - Hold bolts  
Ø1/4" - 4pcs

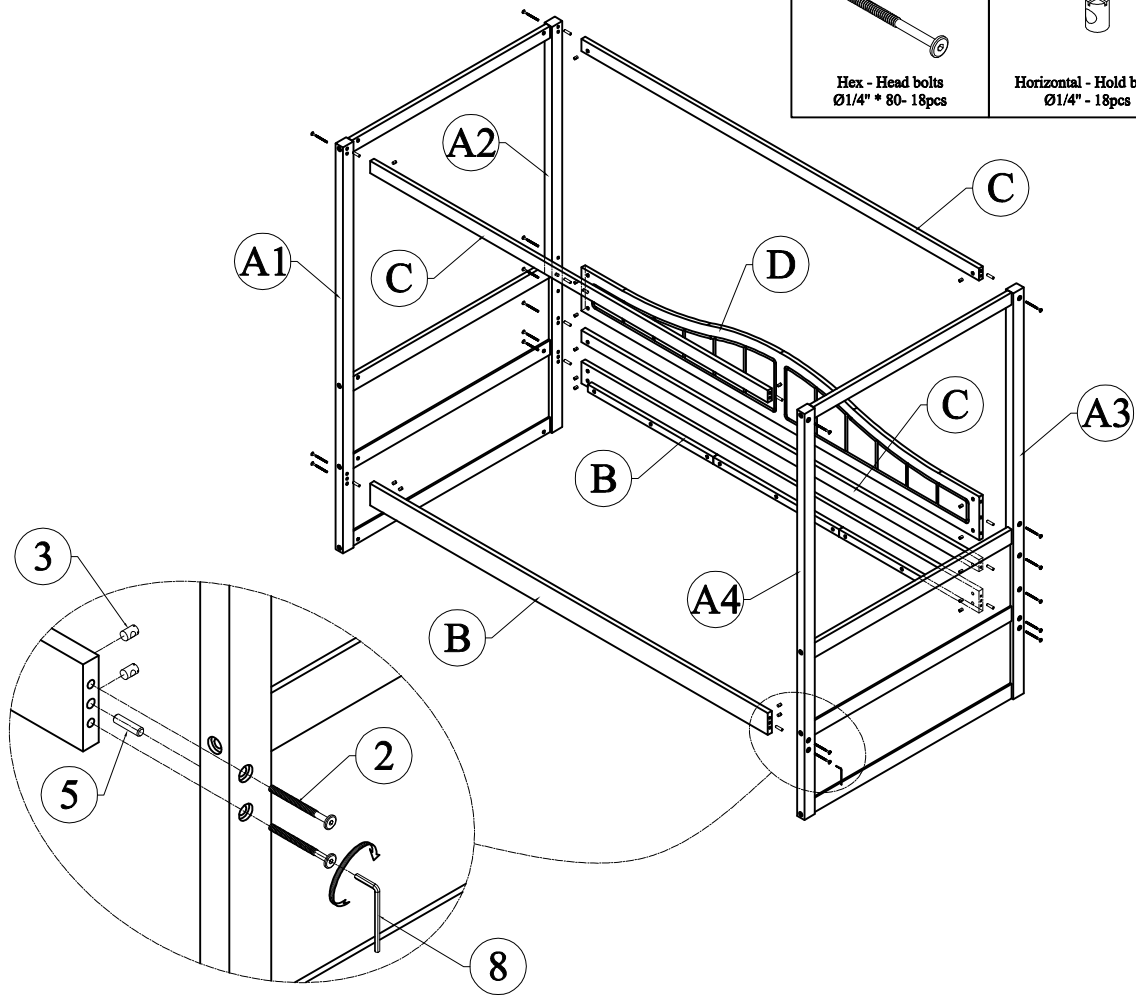
**5**

Wood dowel  
Ø8 \* 30 - 3pcs




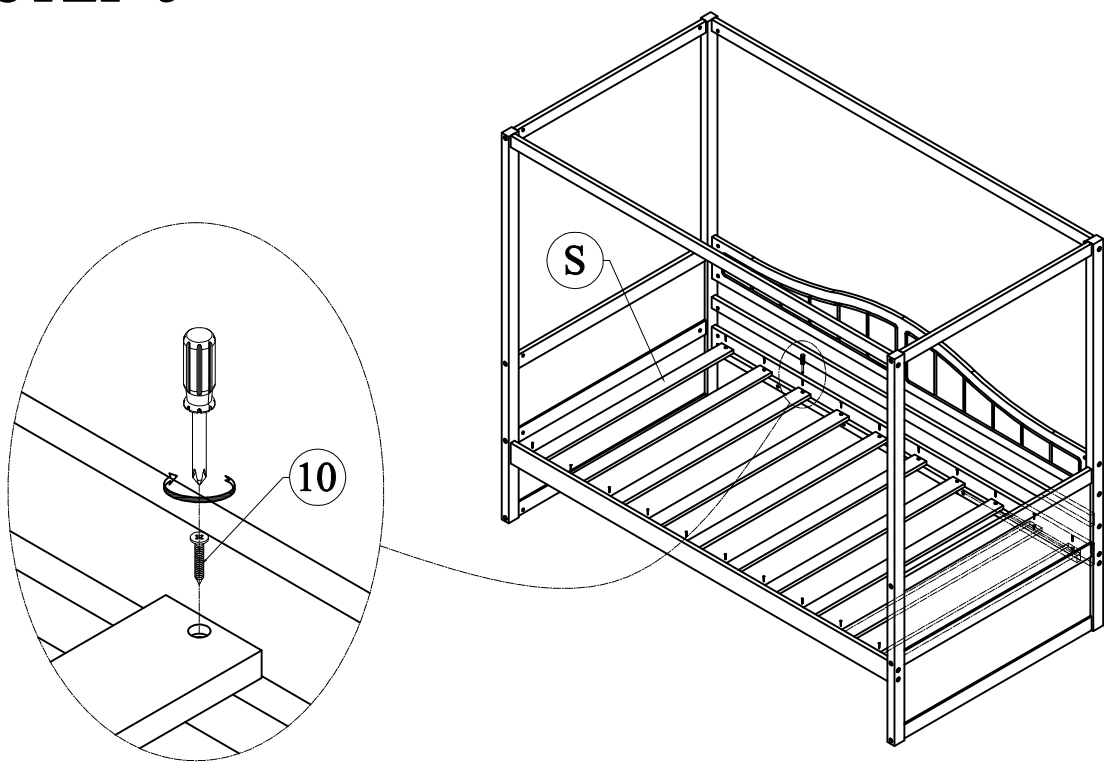
# STEP 5

- |   |   |  |
|---|---|--|
| <p>2</p>  <p>Hex - Head bolts<br/>Ø1/4" * 80- 18pcs</p> | <p>3</p>  <p>Horizontal - Hold bolts<br/>Ø1/4" - 18pcs</p> | <p>5</p>  <p>Wood dowel<br/>Ø8 * 30 - 12pcs</p> |
|---|---|--|



# STEP 6

- |  |
|--|
| <p>9</p>  <p>Wood crews<br/>M4 * 25 - 20pcs</p> |
|--|



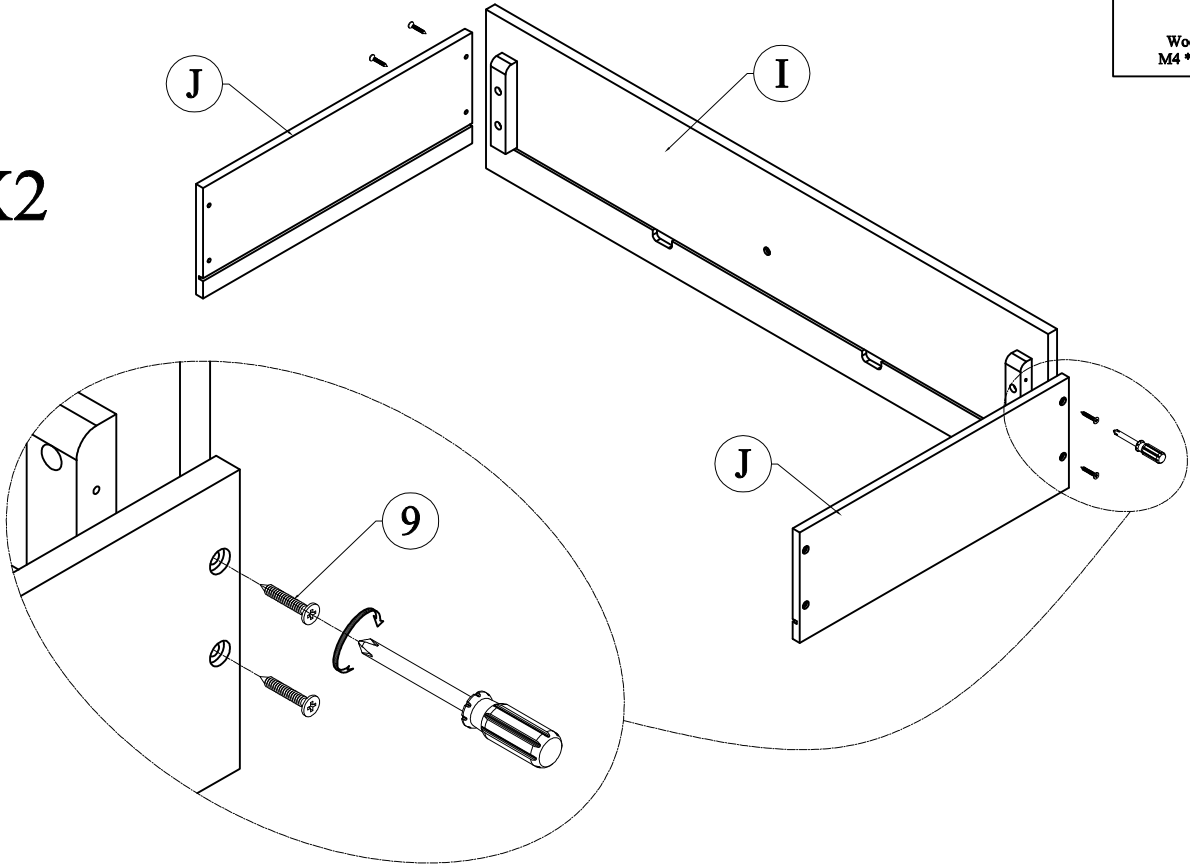
# STEP 7

9



Wood crews  
M4 \* 25 - 8pcs

X2



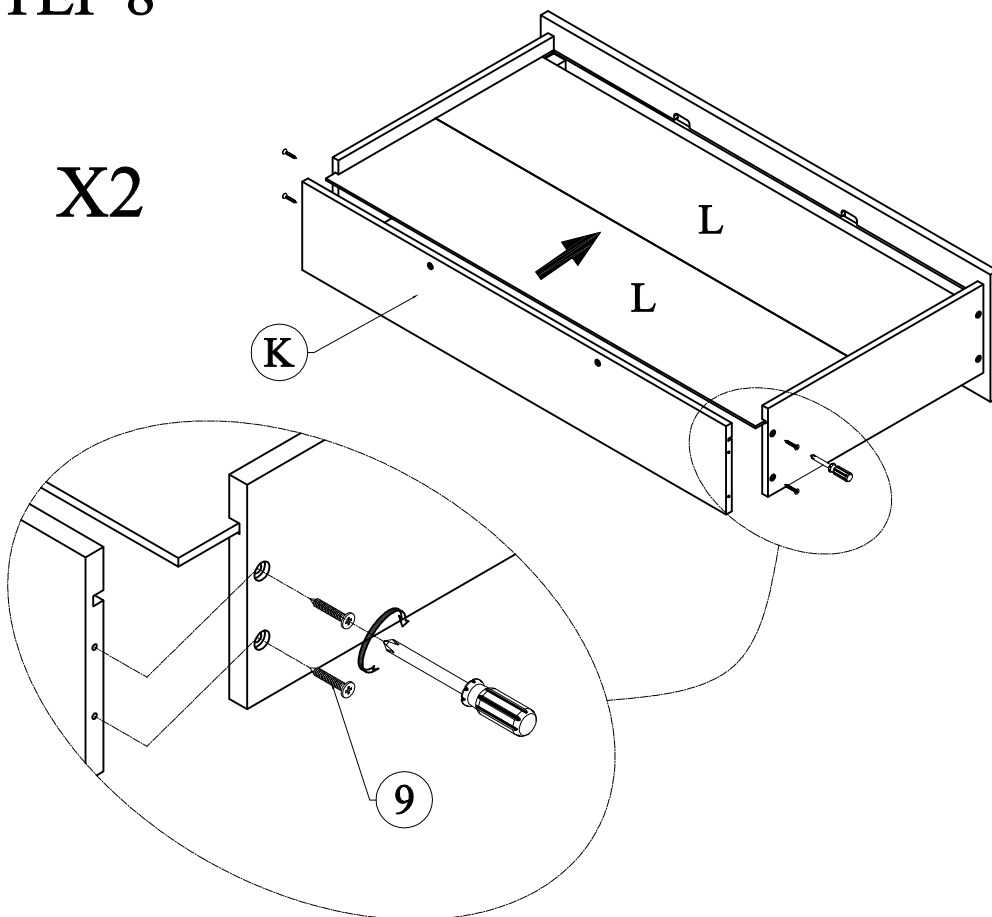
# STEP 8

9



Wood crews  
M4 \* 25 - 8pcs

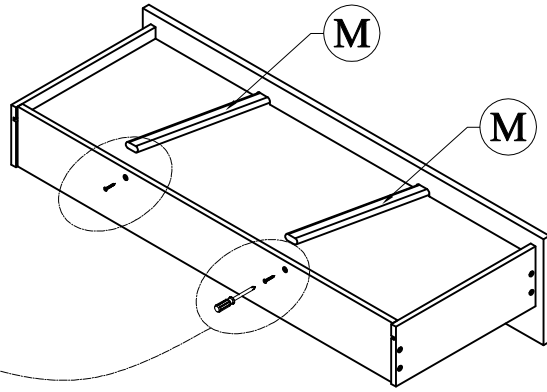
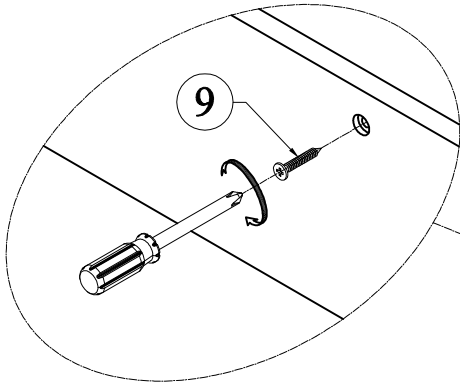
X2





# STEP 9

X2



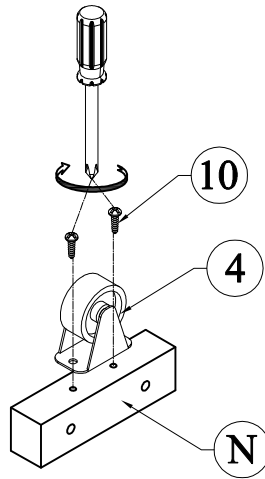
9



Wood crews  
M4 \* 25 - 4pcs

# STEP 10

X8



4



Wheel  
Ø8 \* 30 - 8pcs

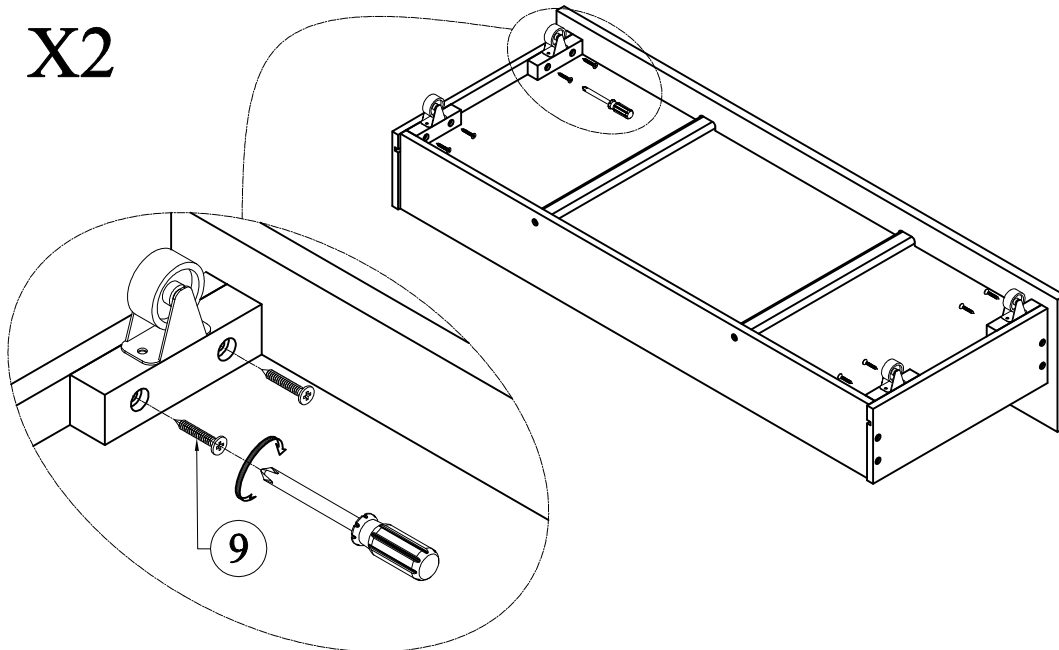
10



Wood crews  
M3.5 \* 15 - 16pcs

# STEP 11

X2



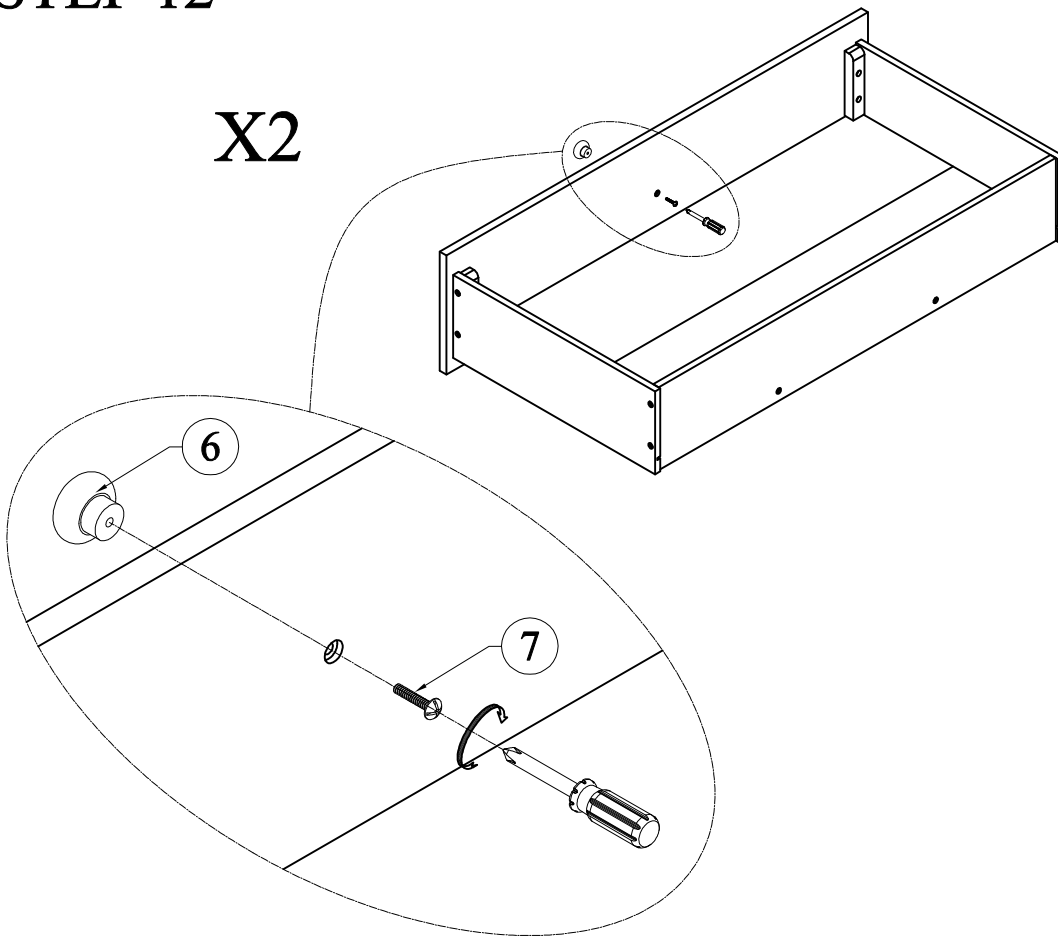
9



Wood crews  
M4 \* 25 - 16pcs

# STEP 12

X2



6



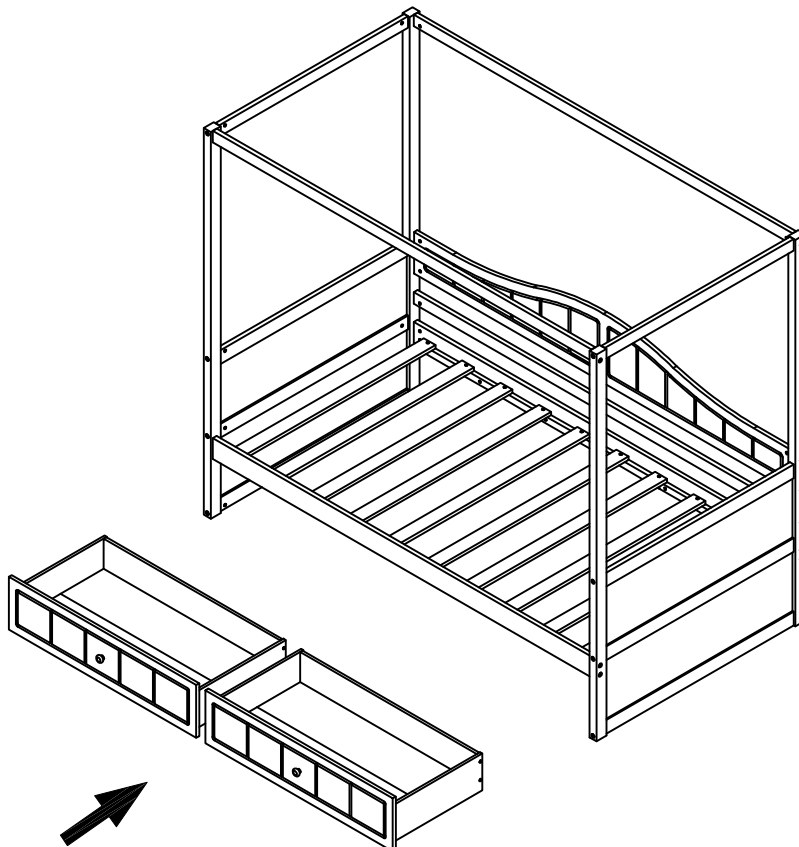
Handle - 2pcs

7



Round crews  
Ø5/32" x 22 - 2pcs

# STEP 13



# COMPLETED

