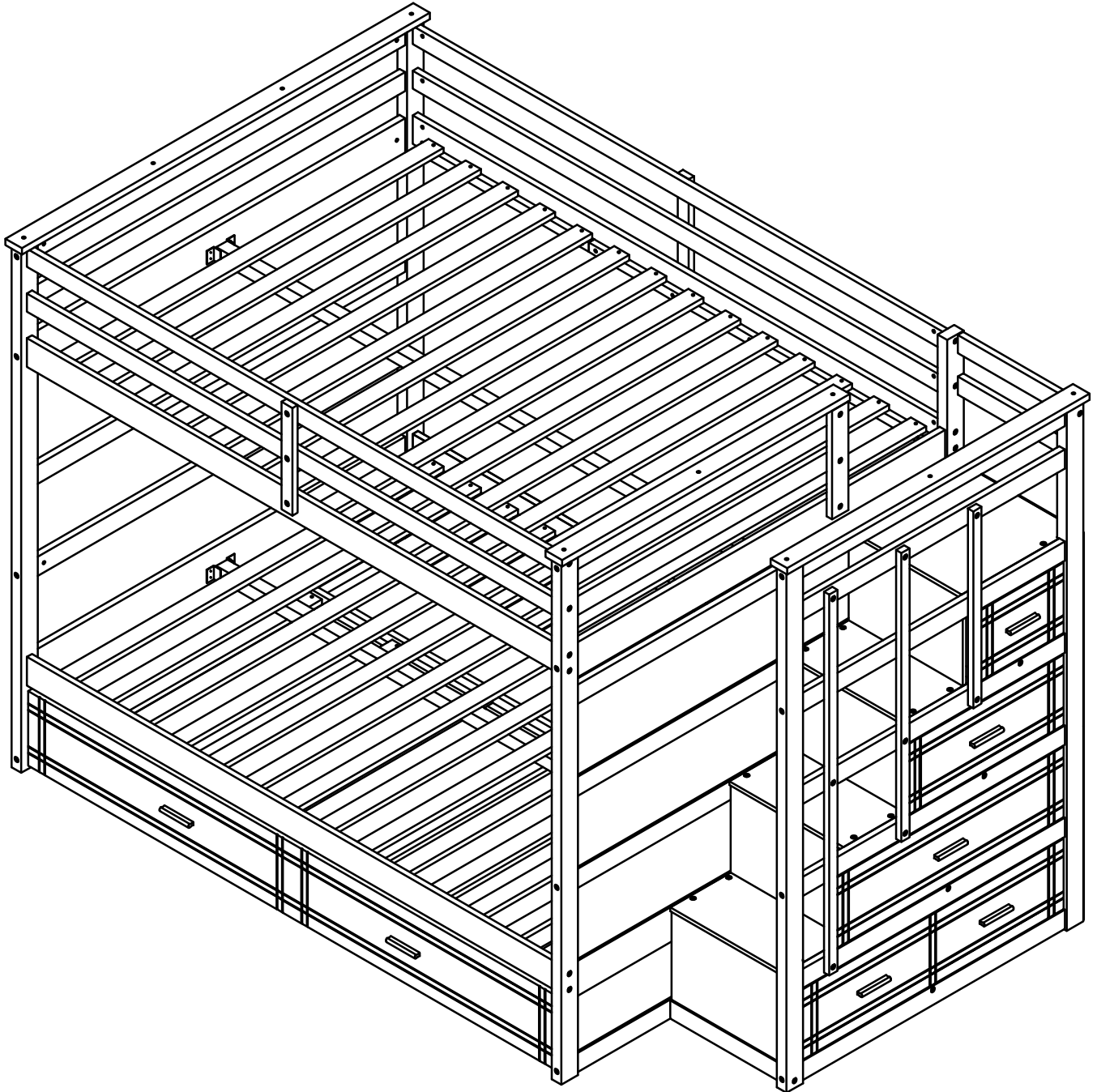


# ASSEMBLY INSTRUCTION

SKU CODE: (WF308431 - WF308432 - WF308433)



# **! SAFETY WARNINGS !**

1. This bed is designed for use only mattress (es) meeting the following specifications on the upper bunk, and lower bunk

## **Upper bed**

<b>Bed Type</b>	<b>Length</b>	<b>Width</b>	<b>Thickness</b>
<i>Full Standard</i>	<i>74" - 75"</i>	<i>53 1/2"</i>	<i>6" max</i>

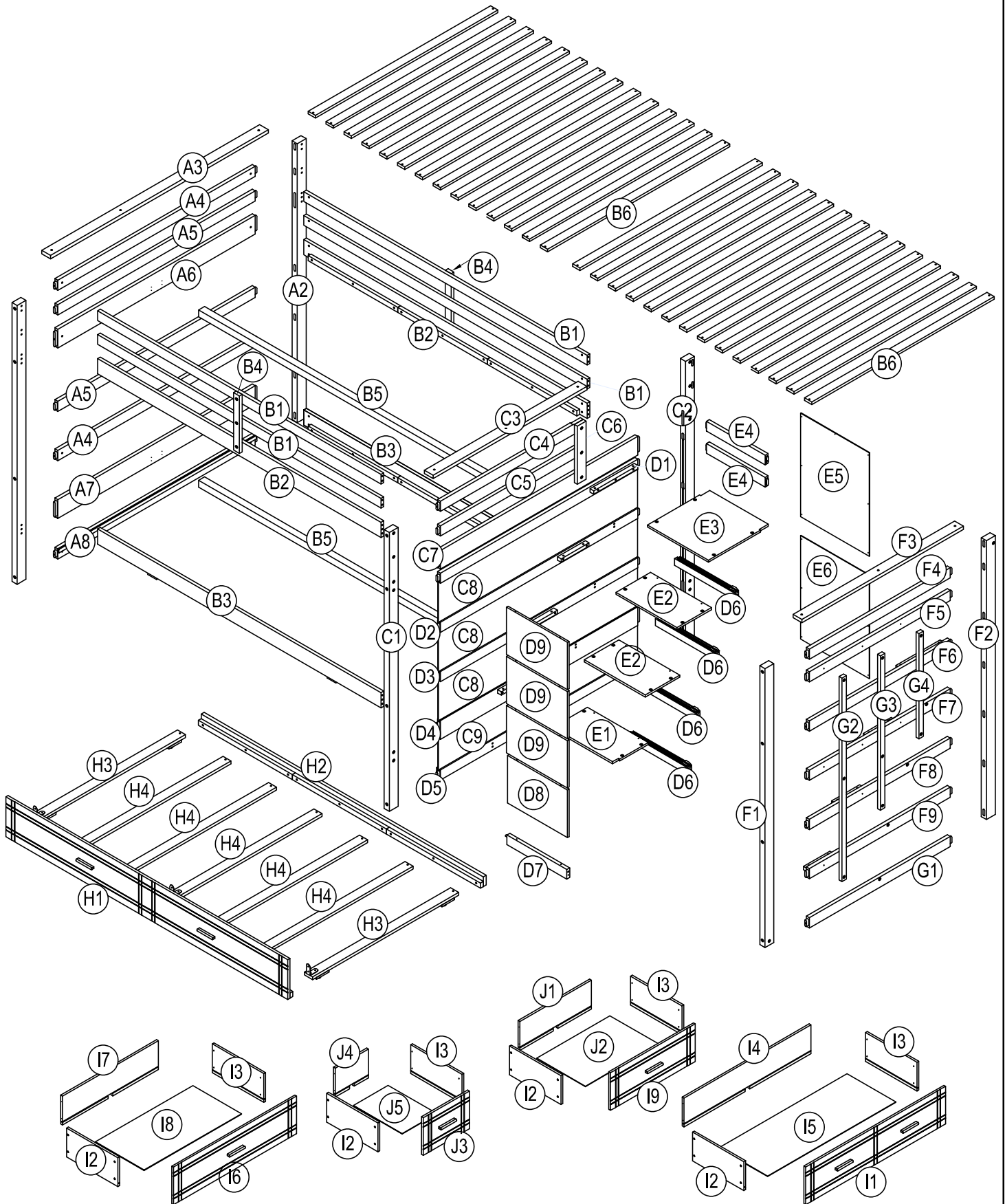
## **Lower bed**

<b>Bed Type</b>	<b>Length</b>	<b>Width</b>	<b>Thickness</b>
<i>Full Standard</i>	<i>74" - 75"</i>	<i>53 1/2"</i>	<i>8" max</i>


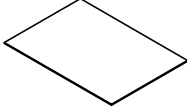
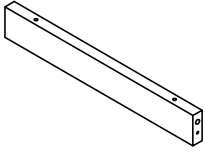
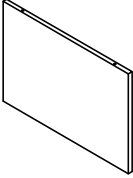
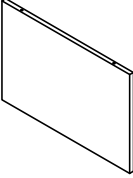
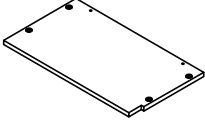
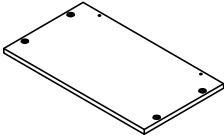
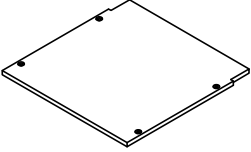
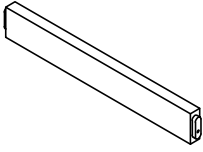
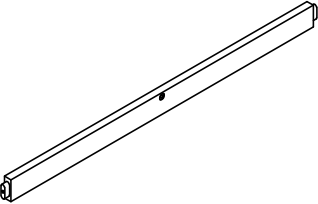
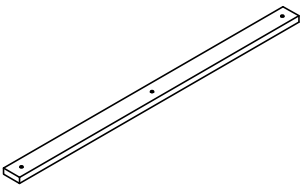
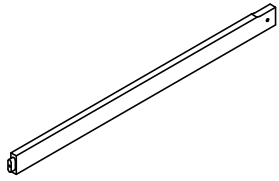
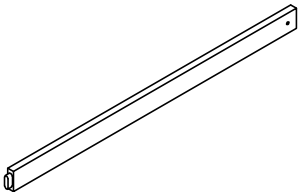

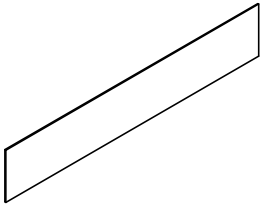
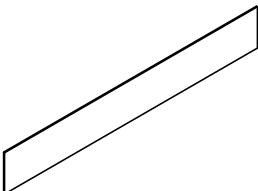
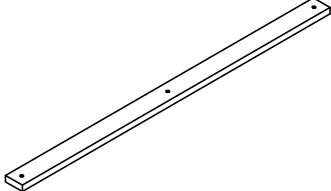
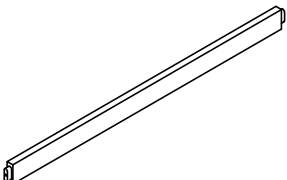
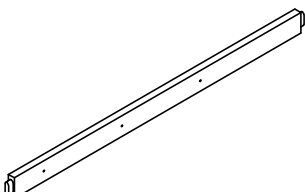
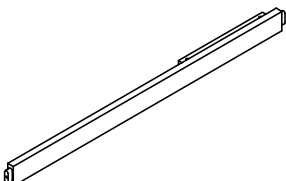
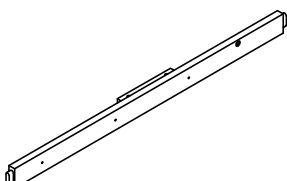
Replacement parts, including additional guardrails, maybe obtained from any of our (GIGACLOUD TECHNOLOGY (USA) INC. 18961 ARENTH AVENUE CITY OF INDUSTRY, CA, 91748) dealers

2. Follow the information on the warnings appearing on the upper bunk bed end structure and on the carton. Do not remove warning label from bed
3. Always use the recommended size mattresses or mattress supports, or both, to help prevent the likelihood of entrapment or falls.
4. Surface of mattress must be at least 5" (127mm) below the upper edge of guardrails
5. Do not allow children under 6 years of age to use the upper bunk.
6. Periodically check and ensure that the guardrail, ladder, and other components are in their proper position, free from damage, and that all connectors are tight.
7. Do not allow horseplay on or under the bed and prohibit jumping on the bed.
8. Always use the ladder for entering and leaving the upper bunk.
9. Do not use substitute part. Contact the manufacture or dealer for replacement part
10. Use of a night light may provide added safety precaution for a child using the upper bunk..
11. Always use guardrails on both long sides of the upper bunk. If the bunk bed will be placed next to the wall, the guardrail that runs the full length of the bed should be placed against the wall to prevent entrapment between the bed and wall.
12. The use of water or sleep flotation mattresses is prohibited
13. STRANGULATION HAZARD - Never attach or hang items to any part of the bunk bed that are not designed for use with the bed; for example, but not limited to, hook, belts and jump ropes
14. Keep these instruction for future reference
15. Prohibit more than one person on upper bunk
16. We recommend assembling your bunk bed on the shipping carton to protect your floor or carpet
17. Be certain all staples are out of the box before beginning assembly on the shipping carton.

# ASSEMBLY INSTRUCTION

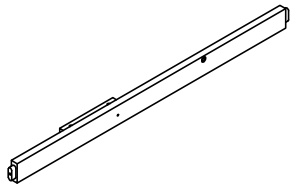


# Part List ( Box 1 WF308431)

<p><b>B4</b></p>  <p>Vertical Bars -2pcs</p>	<p><b>J5</b></p>  <p>Drawer - Bottom panel -1pc</p>	<p><b>D7</b></p>  <p>Wood Bar (Front) -1pc</p>
<p><b>D8</b></p>  <p>Panel -1 pc</p>	<p><b>D9</b></p>  <p>Panel -3pcs</p>	<p><b>E1</b></p>  <p>Panel -1pc</p>
<p><b>E2</b></p>  <p>Panel -2pcs</p>	<p><b>E3</b></p>  <p>Panel -1pc</p>	<p><b>E4</b></p>  <p>Wood Bar -2pcs</p>
<p><b>G1</b></p>  <p>Horizontal Bar -1pc</p>	<p><b>C3</b></p>  <p>Wood Bar (Center) - 1pc</p>	<p><b>C4</b></p>  <p>Horizontal Bars -1pc</p>
<p><b>C5</b></p>  <p>Horizontal Bar -1pc</p>	<p><b>C6</b></p>  <p>Vertical Bar -1pc</p>	<p><b>C8</b></p>  <p>Panels -3pcs</p>
<p><b>C9</b></p>  <p>Panels -1pc</p>	<p><b>F3</b></p>  <p>Wood Bar -1pc</p>	<p><b>F4</b></p>  <p>Horizontal Bar -1pc</p>
<p><b>F5</b></p>  <p>Horizontal Bar -1pc</p>	<p><b>F6</b></p>  <p>Horizontal Bar -1pc</p>	<p><b>F7</b></p>  <p>Horizontal Bar -1pc</p>

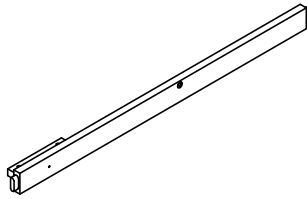
# Part List ( Box 1 WF308431)

F8



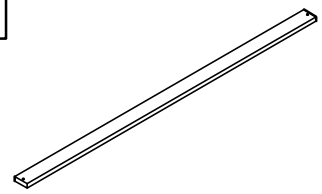
Horizontal Bar -1pc

F9



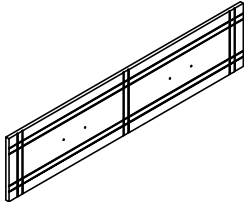
Horizontal Bar -1pc

B6



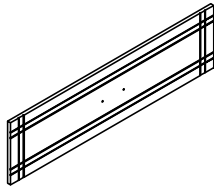
Slats 1 -14pcs

I1



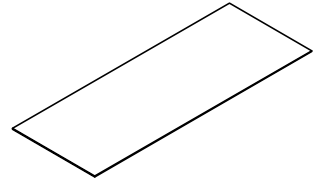
Drawer - Back panel -1pc

I6



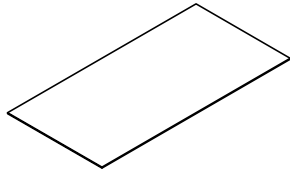
Drawer - Back panel -1pc

I5



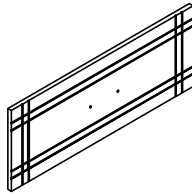
Drawer - Bottom panel -1pc

I8



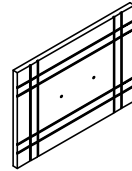
Drawer - Bottom panel -1pc

I9



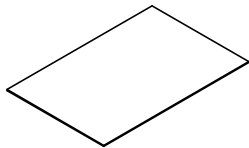
Drawer - Back panel -1pc

J3





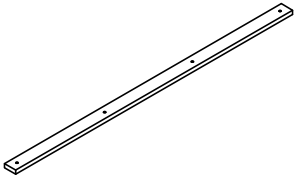




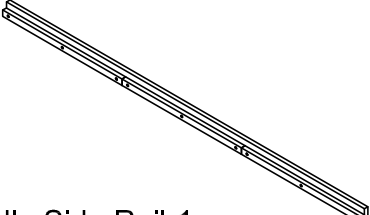
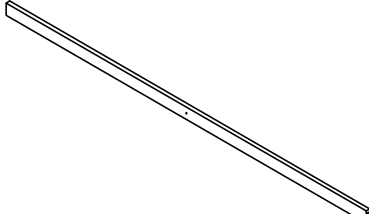
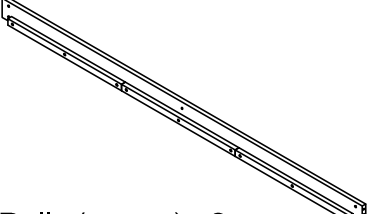
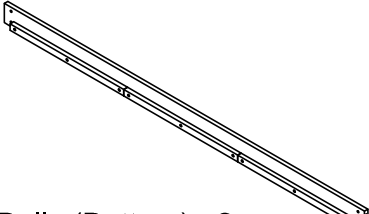
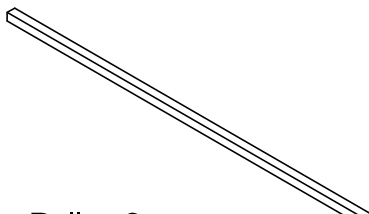
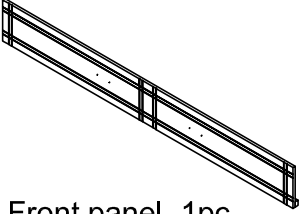
Drawer - Back panel -1pc

J2



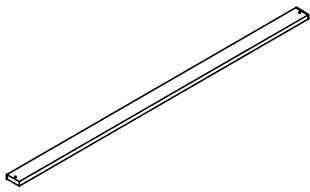
Drawer - Bottom panel -1pc

# Part List & Hardware List ( Box 2 WF308432)

<p><b>A1</b></p>  <p>Leg ( Front + Left) - 1pc</p>	<p><b>A2</b></p>  <p>Leg ( Back + Left) - 1pc</p>	<p><b>A3</b></p>  <p>Wood Bar -1pc</p>
<p><b>F1</b></p>  <p>Leg ( Front + Right) - 1pc</p>	<p><b>F2</b></p>  <p>Leg (Back + Right) - 1pc</p>	<p><b>C1</b></p>  <p>Leg ( Front + Center) - 1pc</p>
<p><b>C2</b></p>  <p>Leg (Back + Center) - 1pc</p>	<p><b>H2</b></p>  <p>Trundle Side Rail-1pc</p>	<p><b>B1</b></p>  <p>Guard Rails - 4pcs</p>
<p><b>B2</b></p>  <p>Side Rails ( upper) - 2pcs</p>	<p><b>B3</b></p>  <p>Side Rails (Bottom) - 2pcs</p>	<p><b>B5</b></p>  <p>Center Rails - 2pcs</p>
<p><b>H1</b></p>  <p>Trundle- Front panel -1pc</p>		

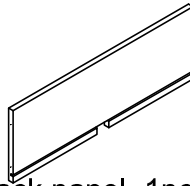
# Part List ( Box 3 WF308433)

B6



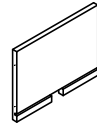
Slats 1 -14pcs

J1



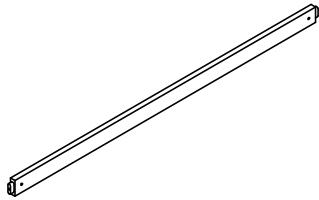
Drawer - Back panel -1pc

J4



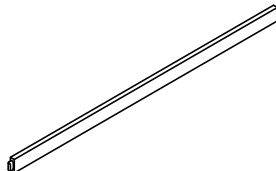
Drawer - Back panel -1pc

A4



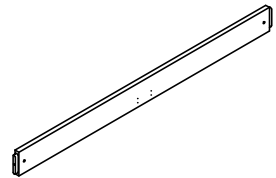
Horizontal Bars -2pcs

A5



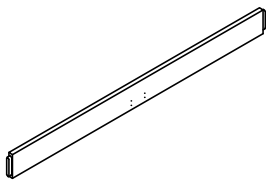
Horizontal Bars -2pcs

A6



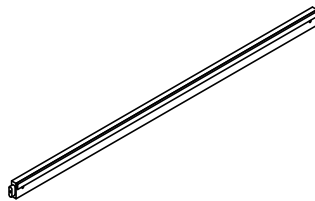
Horizontal Bar -1pc

A7



Horizontal Bar -1pc

A8



Horizontal Bar -1pc

G3



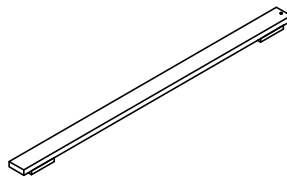
Vetical Bar -1pc

G4



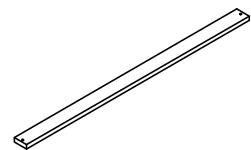
Vetical Bar -1pc

H3



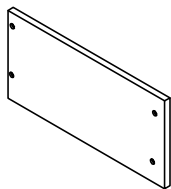
Slats 2 ( Trundle) -2pc

H4



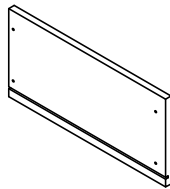
Slats 2 -5pc

I2



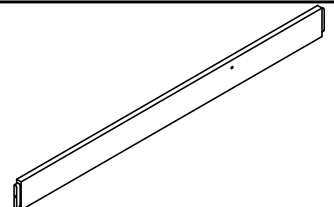
Drawer - Side panels -4pcs

I3



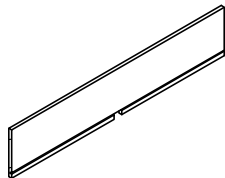
Drawer - Side panels -4pcs

C7



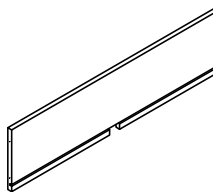
Horizontal Bar -1pc

I4



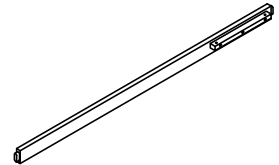
Drawer - Back panel -1pc

I7



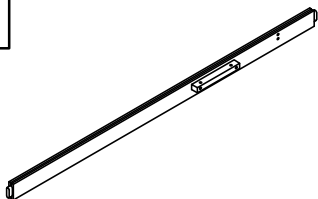
Drawer - Back panel -1pc

D1



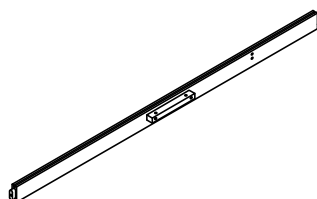
Horizontal Bars -1pc

D2



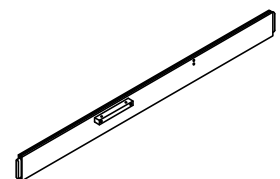
Horizontal Bar -1pc

D3



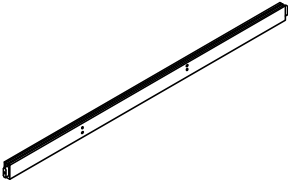
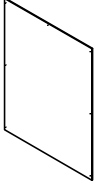
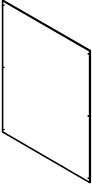


Horizontal Bar -1pc

D4



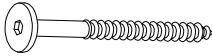
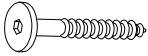
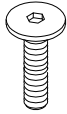
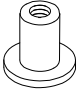

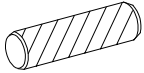
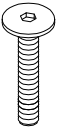
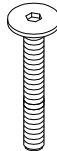

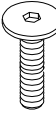
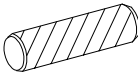
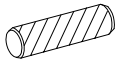

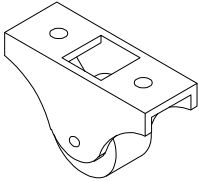
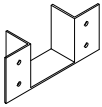

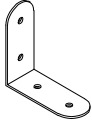
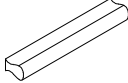
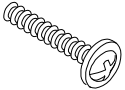

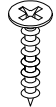
Horizontal Bar -1pc

# Part List ( Box 3 WF308433)

<p>D5</p>  <p>Horizontal Bars -1pc</p>	<p>E5</p>  <p>Back Panel -1pc</p>	<p>E6</p>  <p>Back Panel -1pc</p>
<p>D6</p>  <p>Support Drawers -4pcs</p>	<p>G2</p>  <p>Vertical Bar -1pc</p>	



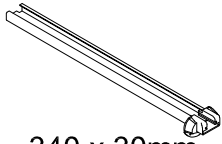
# Hardware List (Box 2 WF308432 )

<p>1</p>  <p>Ø1/4" x 60 Screws 4pcs</p>	<p>2</p>  <p>Ø1/4" x 30 Screws 14 pcs</p>	<p>3</p>  <p>Ø1/4" x 25 mm Hex-Head bolts 3 pcs</p>
<p>4</p>  <p>Ø1/4" x 15 mm Canopy head though -3pcs</p>	<p>5</p>  <p>Ø1/4" x 13 mm Horizontal-Hole bolts 47 pcs</p>	<p>6</p>  <p>Ø10 x 40 mm Wood dowel 16pcs</p>
<p>7</p>  <p>Ø1/4" x 80 mm Hex-Head bolts: 24 pcs</p>	<p>8</p>  <p>Ø1/4" x 100 mm Hex-Head bolts: 23 pcs</p>	<p>9</p>  <p>Ø1/4" x 40 mm Hex-Head bolts: 8 pcs</p>
<p>10</p>  <p>Ø1/4" x 30 mm Hex-Head bolts 16 pcs</p>	<p>11</p>  <p>Ø8 x 30 mm Wood dowel 10pcs</p>	<p>12</p>  <p>Ø6 x 30 mm Wood dowel 16pcs</p>
<p>13</p>  <p>M4 x 15mm Pan head screw : 13 pcs</p>	<p>14</p>  <p>Wheels 4pcs</p>	<p>15</p>  <p>Steel Bracket - 4pcs</p>
<p>16</p>  <p>M4 x 15 mm Wood Screws 20pcs</p>	<p>17</p>  <p>Steel Bracket 3pcs</p>	<p>18</p>  <p>Handle 7 pcs</p>
<p>19</p>  <p>M4 x 15 mm Small Bolts 14pcs</p>	<p>20</p>  <p>Ø1/4" x 20 Screws 16pcs</p>	<p>21</p>  <p>M4 x 30 mm Wood Screws 116pcs</p>

# Hardware List (Box 2 WF308432 )

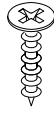
22

(Box 3 WF308433)



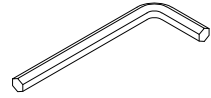
340 x 30mm  
Runner 4pcs

23



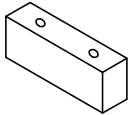
M3.5 x 12mm  
Screws 12pcs

24

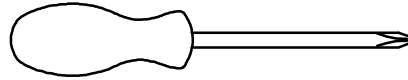


Allen key 1pc

25

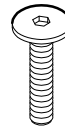




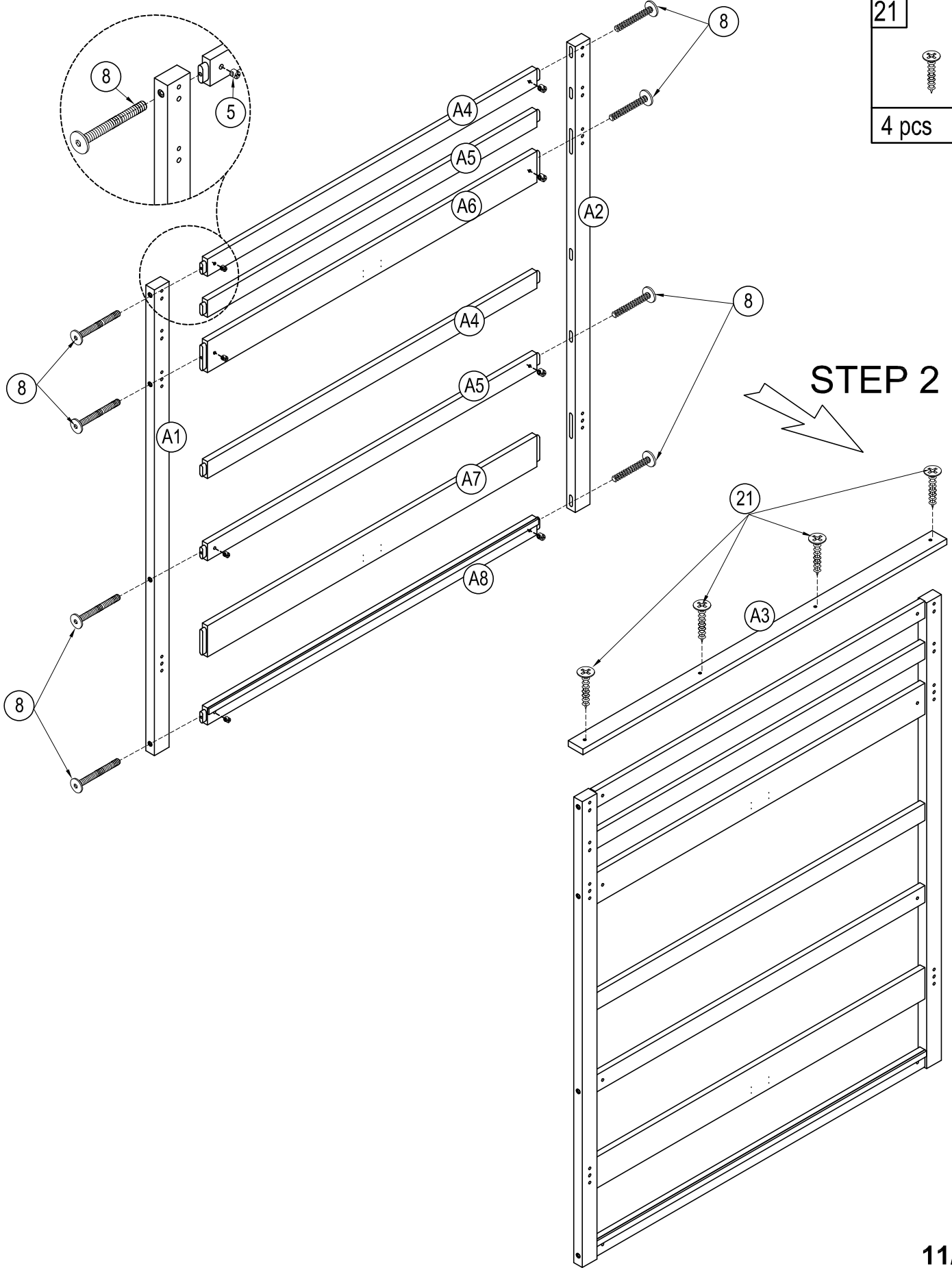
Small Rails - 2pcs



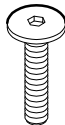

**Assembly Tools Required (Not Included)**

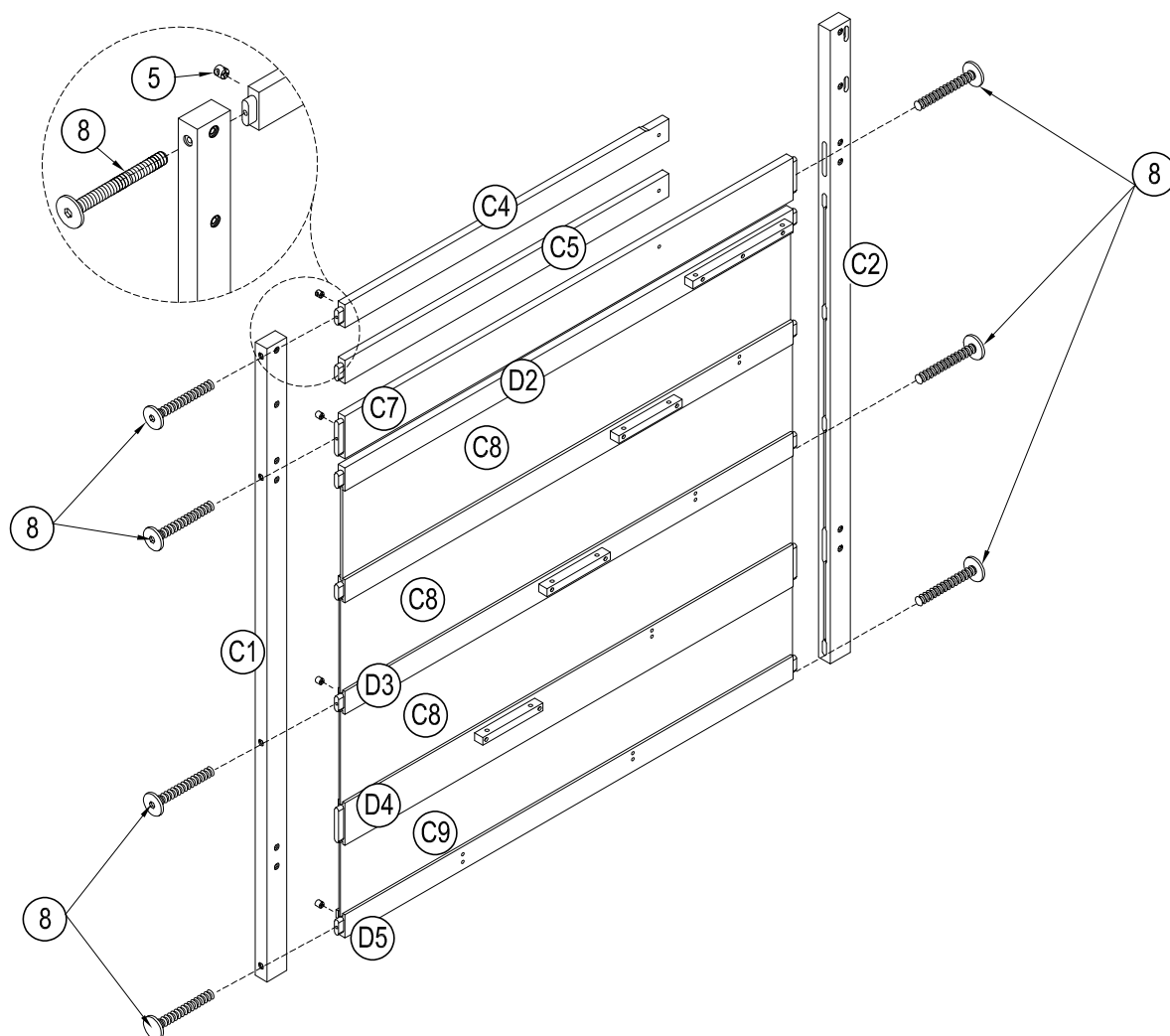
# STEP 1: Following below illustration.

8		5	
8 pcs		8 pcs	
		21	
		4 pcs	

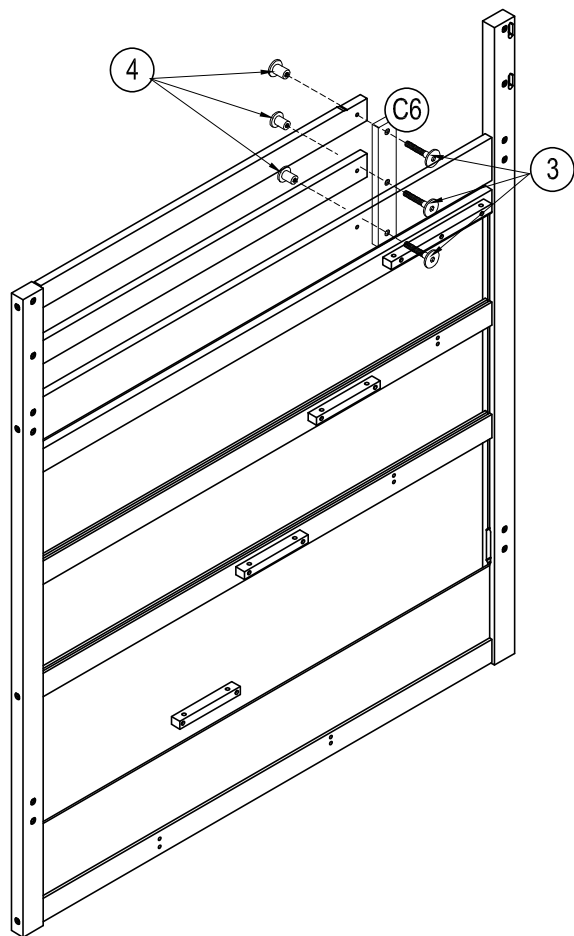



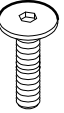
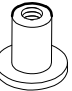
# STEP 3: Following below illustration.

8		5	
7 pcs		7 pcs	

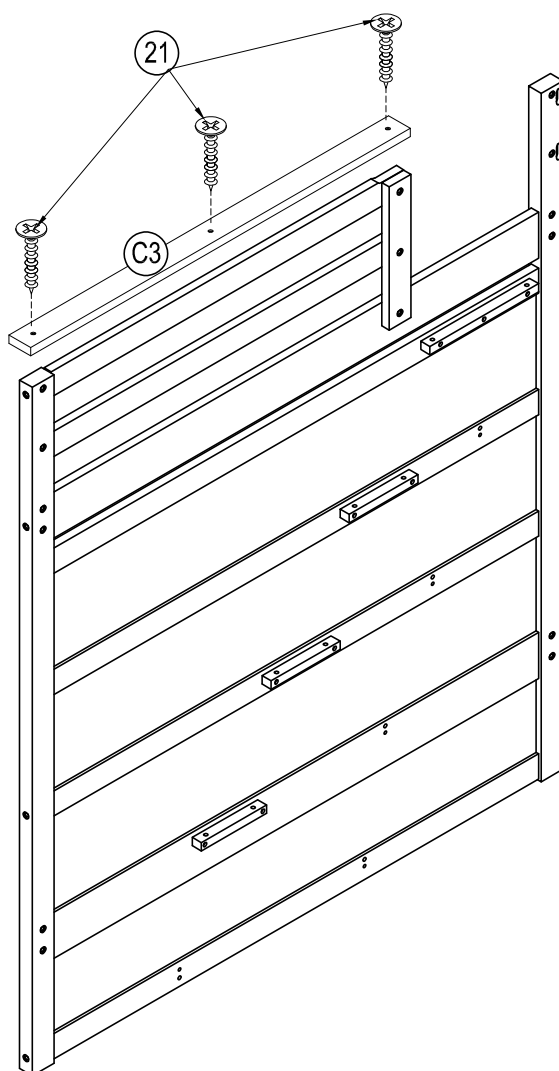


# STEP 4: Following below illustration.

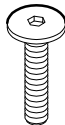



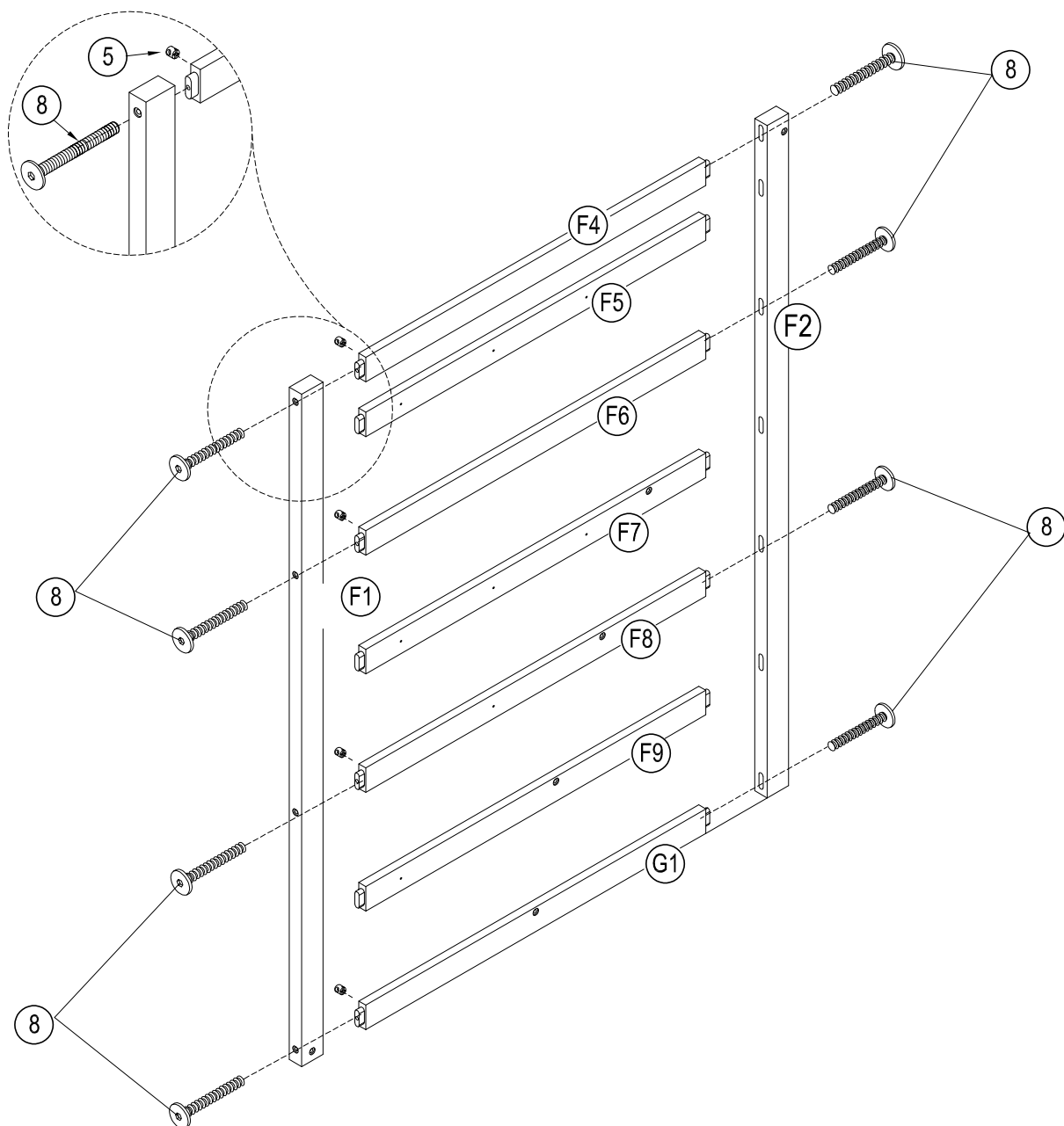
21	3
	
3 pcs	3 pcs
	4
	
	3 pcs

## STEP 4-2

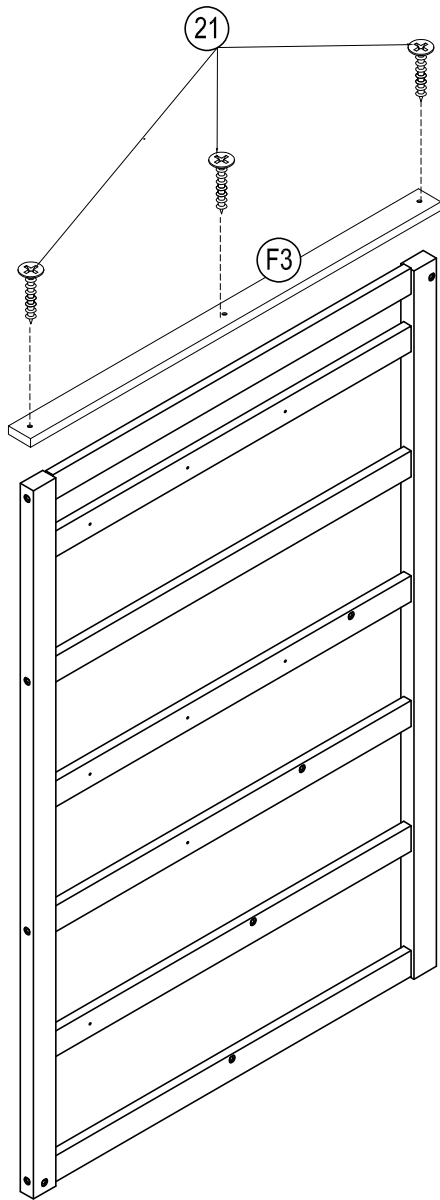



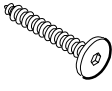
# STEP 5: Following below illustration.

8		5	
8 pcs		8 pcs	

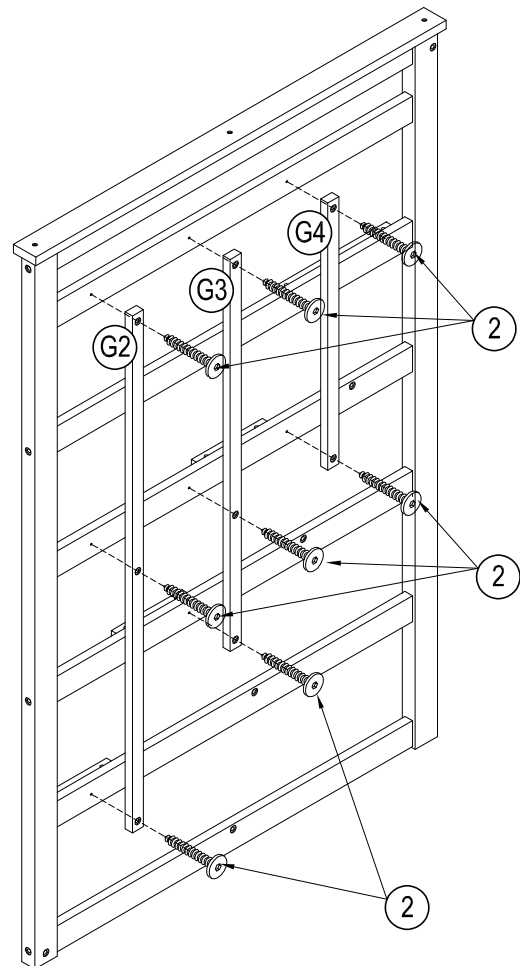


# STEP 6: Following below illustration.

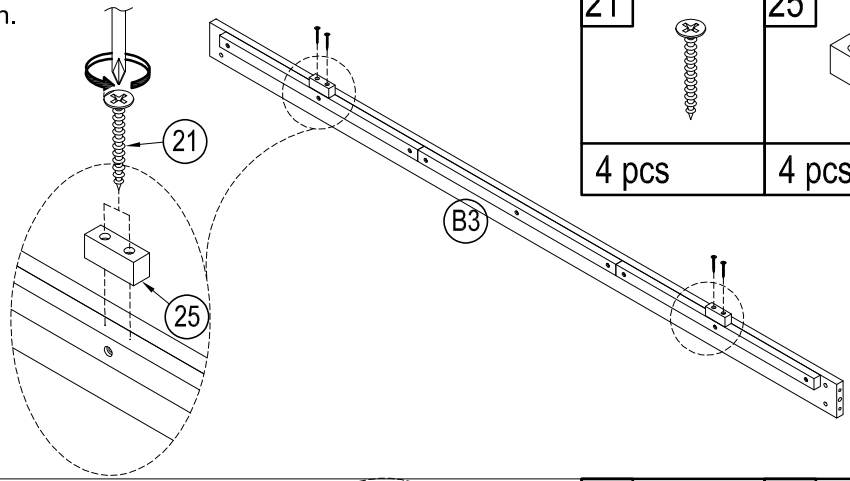



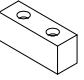
21	
3 pcs	
2	
8 pcs	

## STEP 6-2

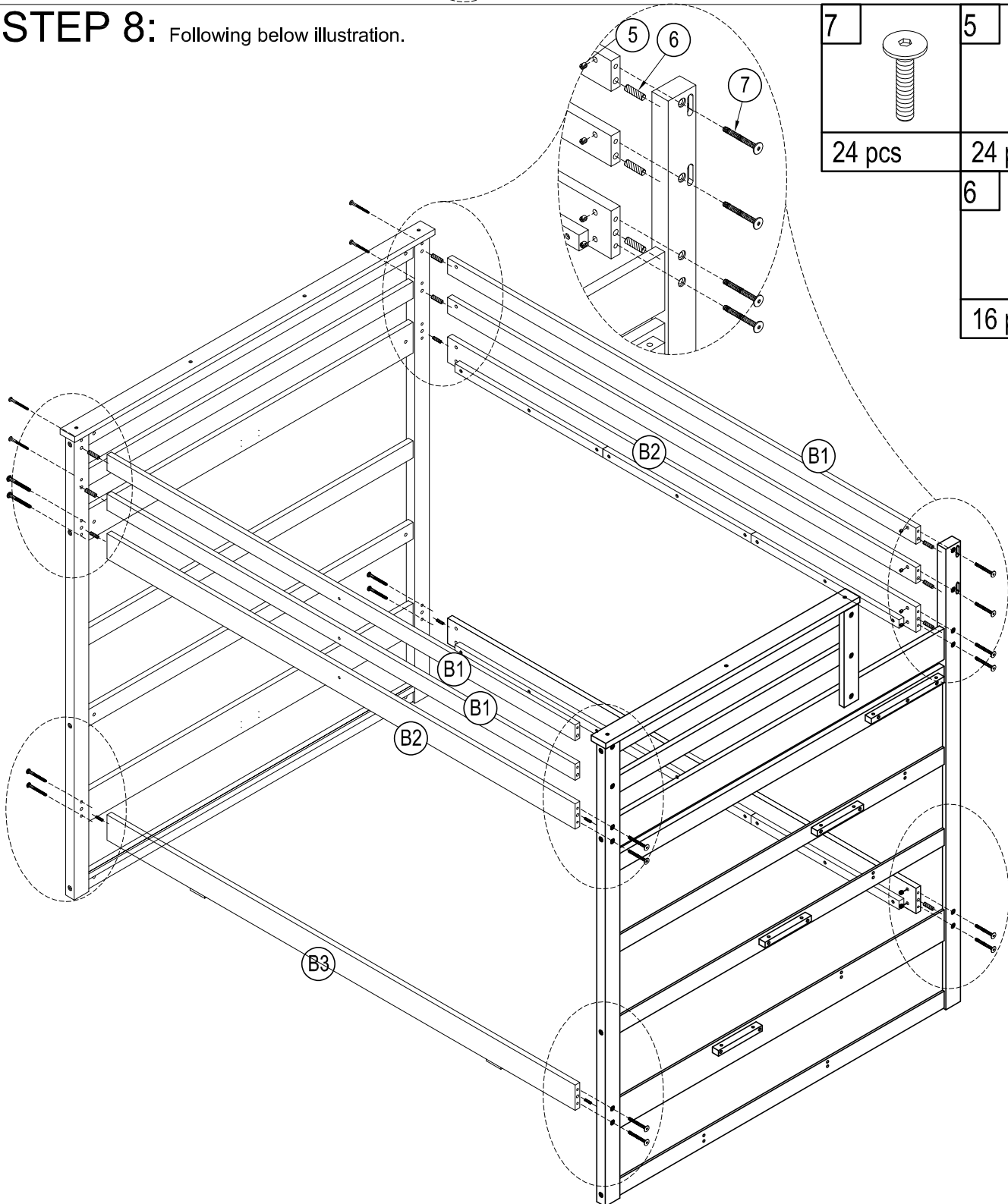


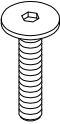


# STEP 7: Following below illustration.



21		25	
4 pcs		4 pcs	

# STEP 8: Following below illustration.

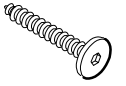


7		5	
24 pcs		24 pcs	
6			
16 pcs			

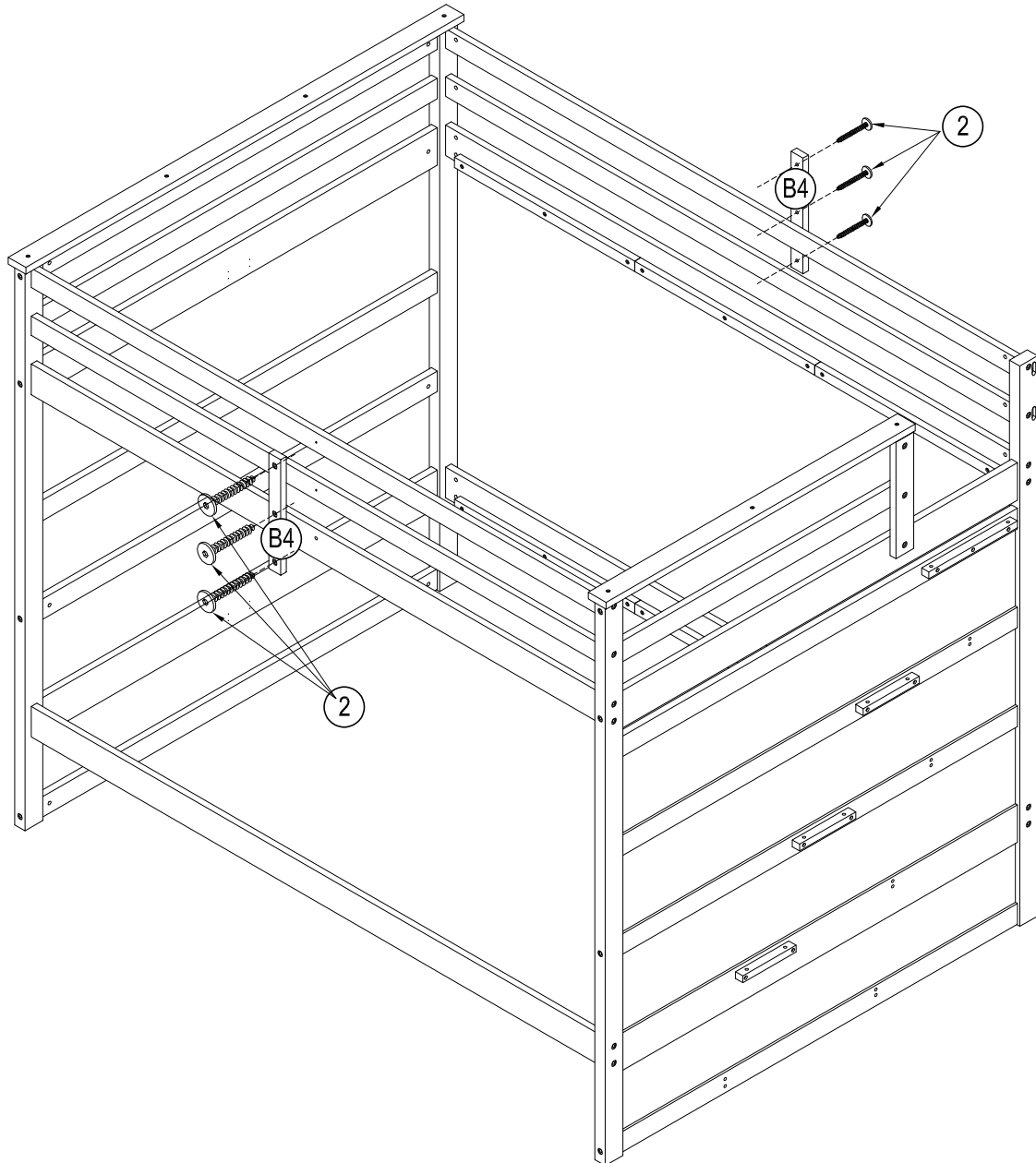


**STEP 9:** Following below illustration.

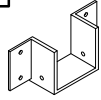
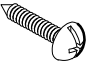
2



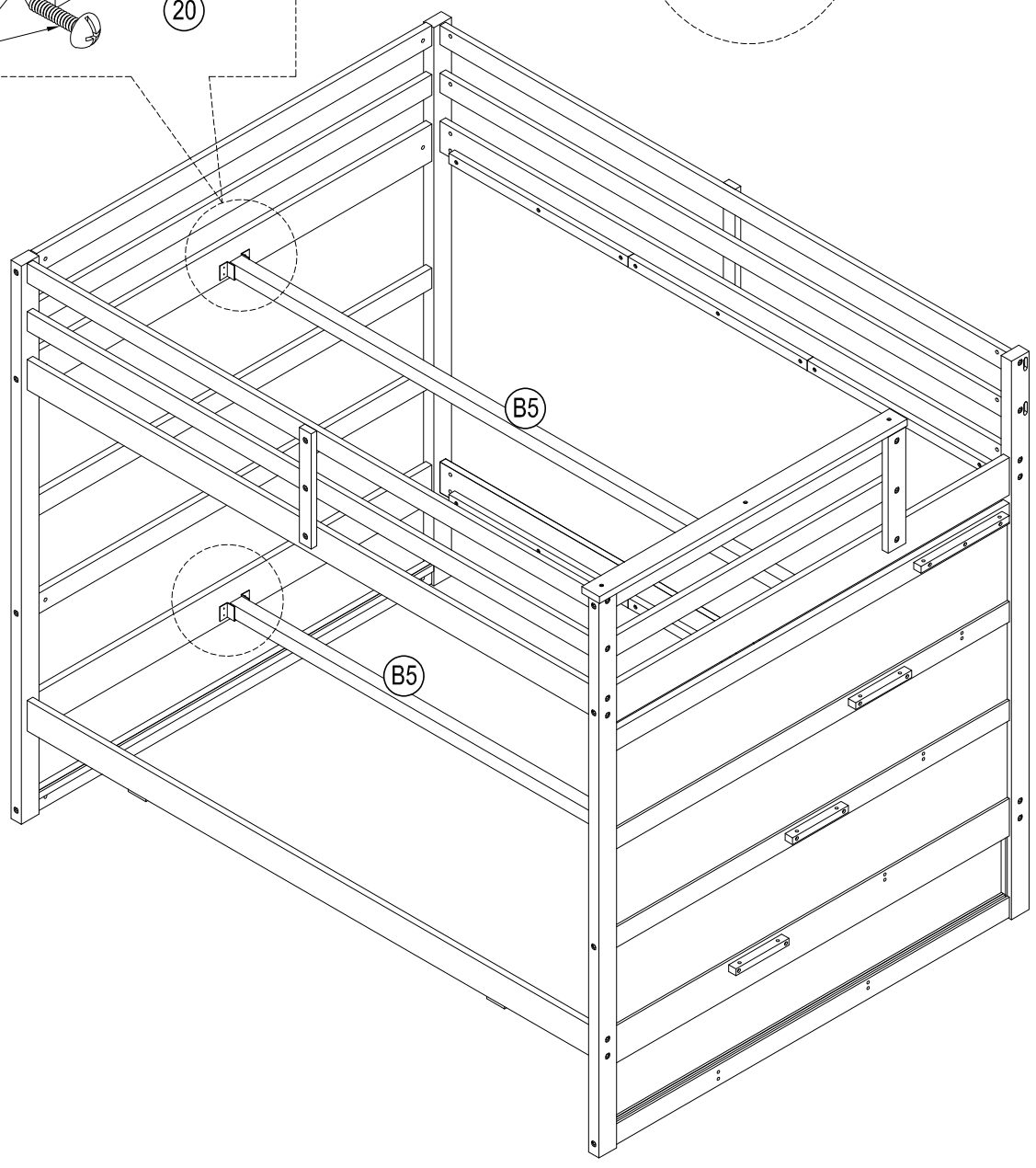
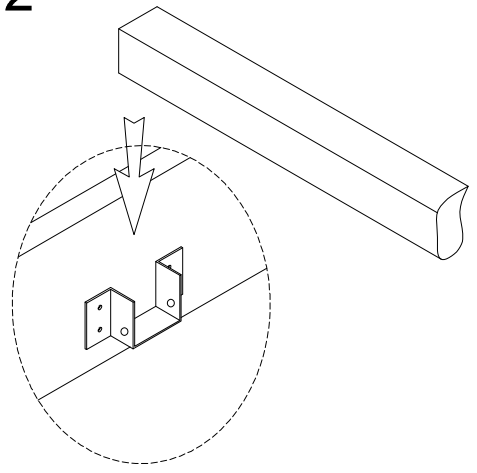
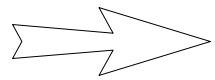
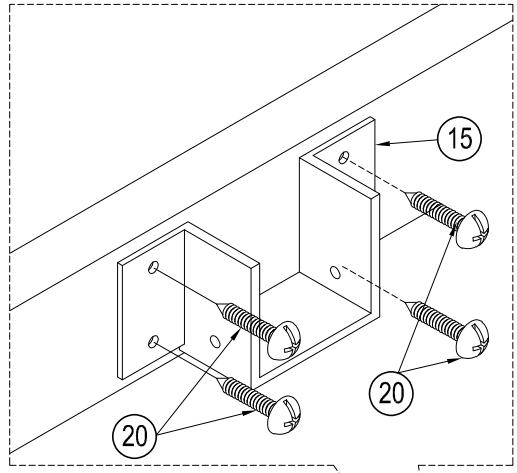
6 pcs



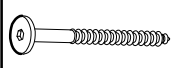
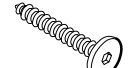

# STEP 10: Following below illustration.

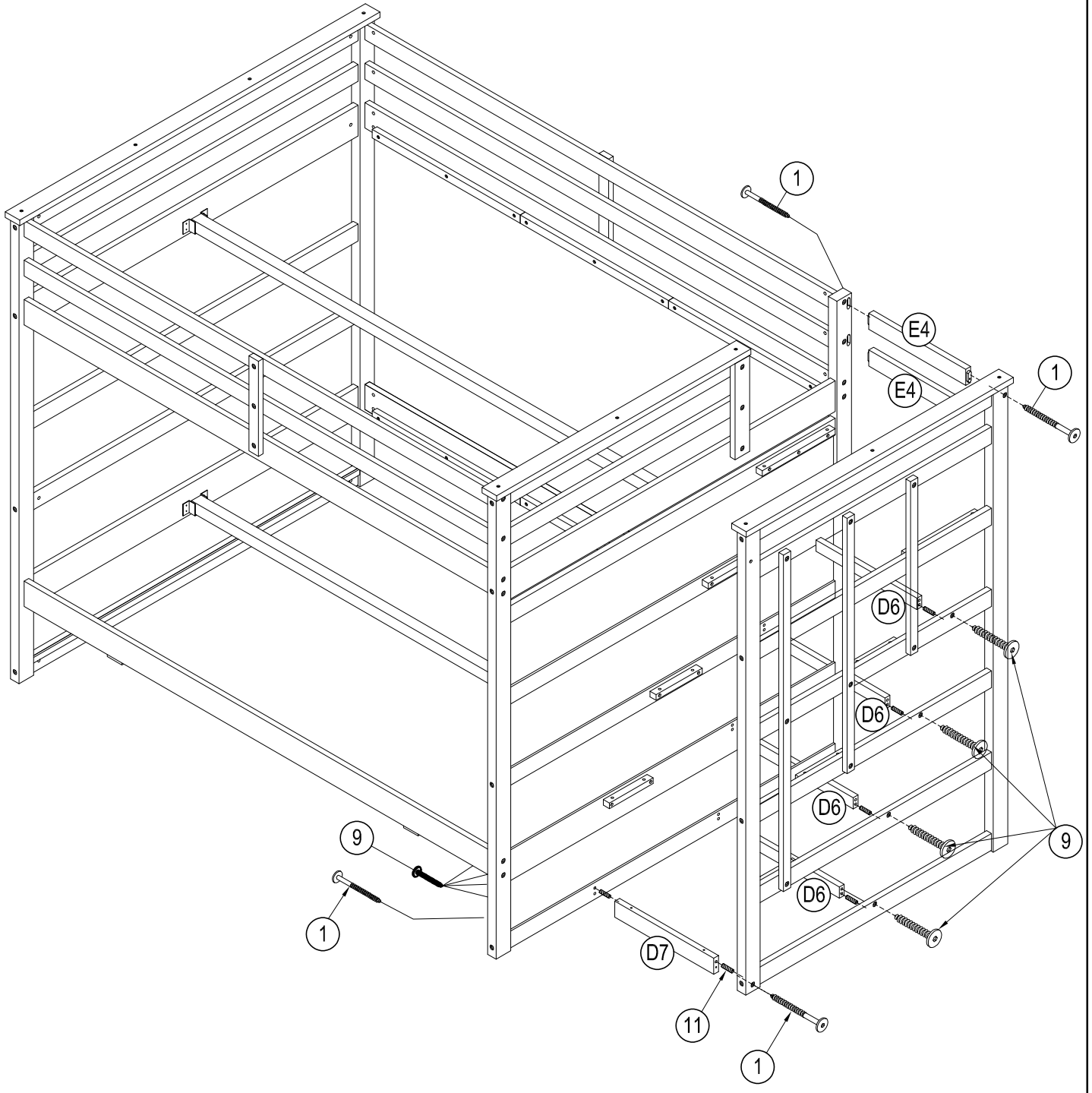
15	20
	
4 pcs	16 pcs

## STEP 10-2



# STEP 11: Following below illustration.

1	9
	
4 pcs	8 pcs
	11
	
	10 pcs

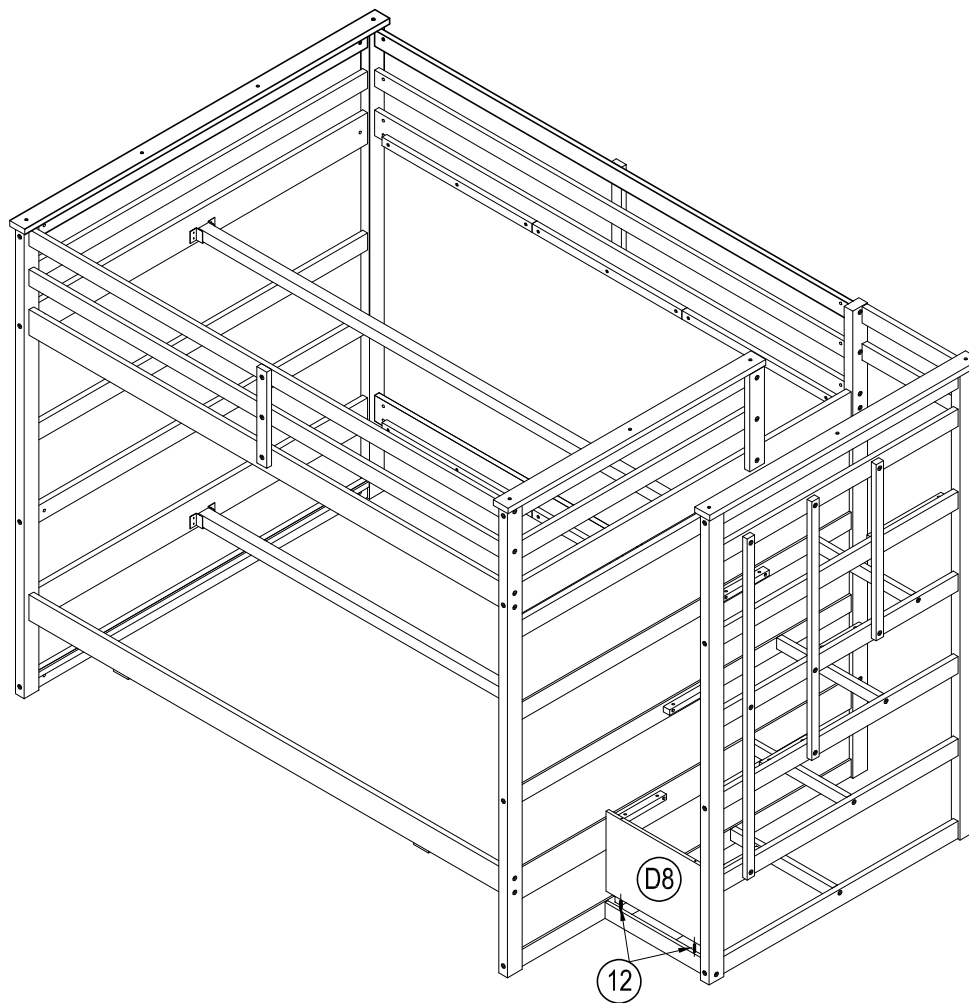


**STEP 12:** Following below illustration.

12

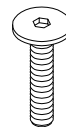


2 pcs



**STEP 13:** Following below illustration.

10

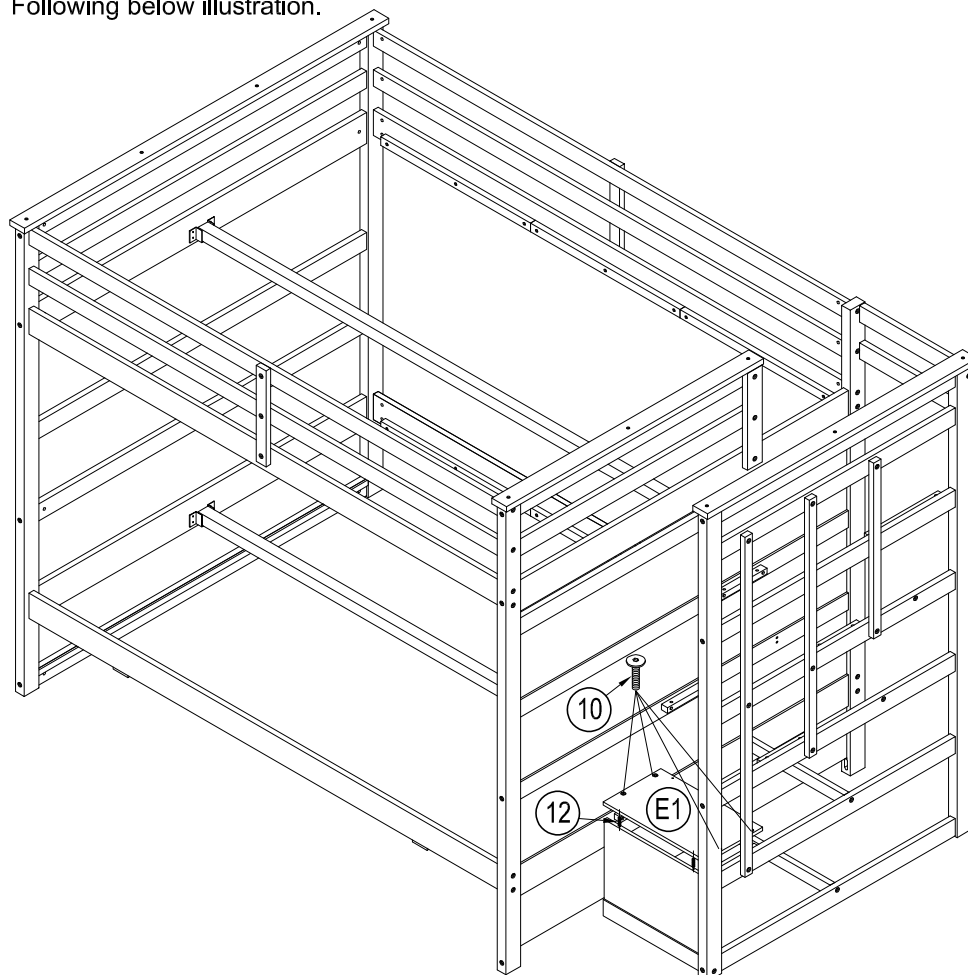


4 pcs

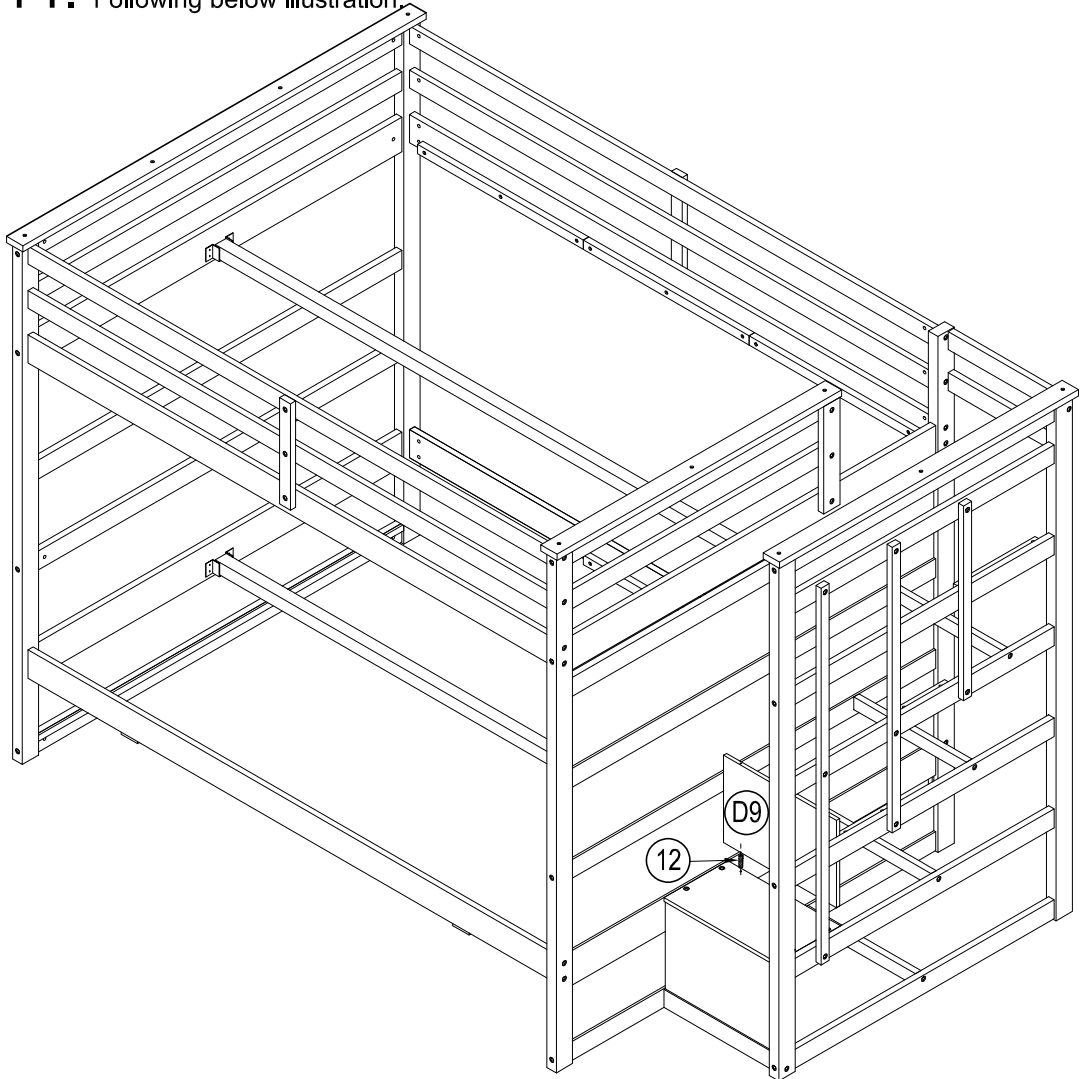
12

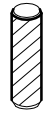


2 pcs

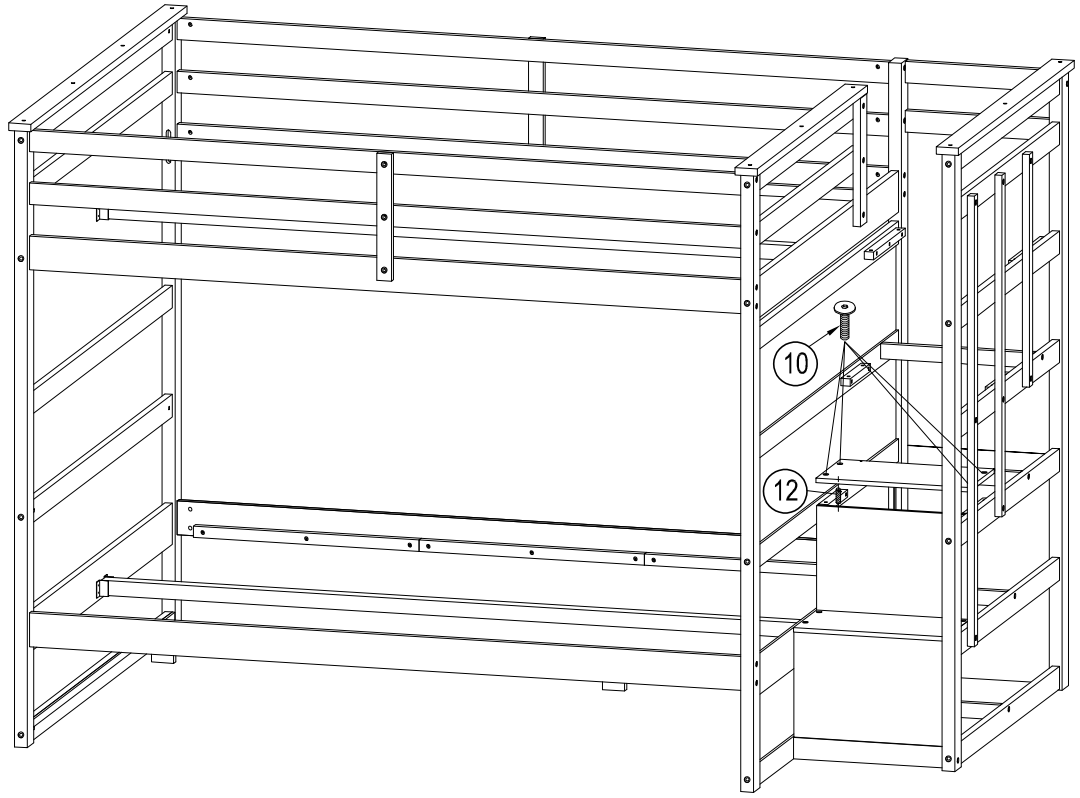


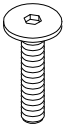
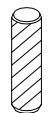
# STEP 14: Following below illustration.



12	
2 pcs	

# STEP 15: Following below illustration.



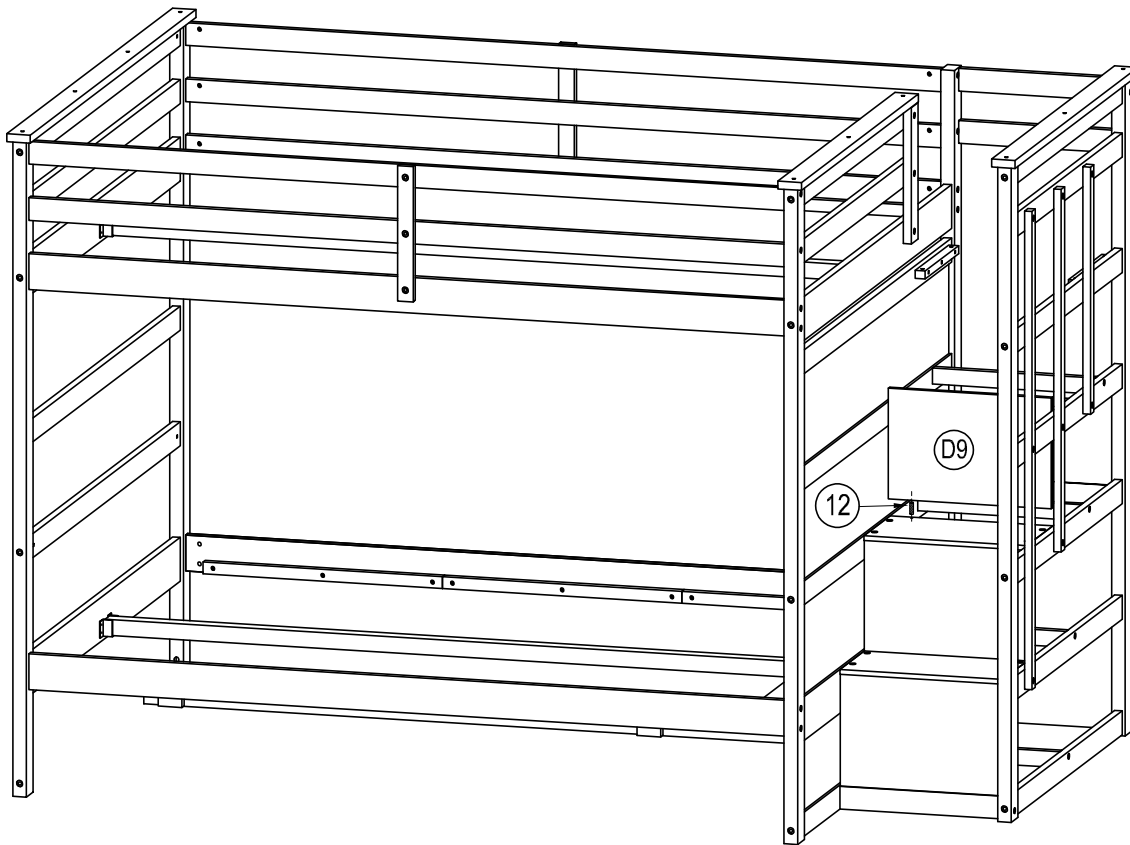
10	
4 pcs	
12	
2 pcs	

**STEP 16:** Following below illustration.

12

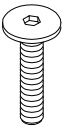


2 pcs



**STEP 17:** Following below illustration.

10

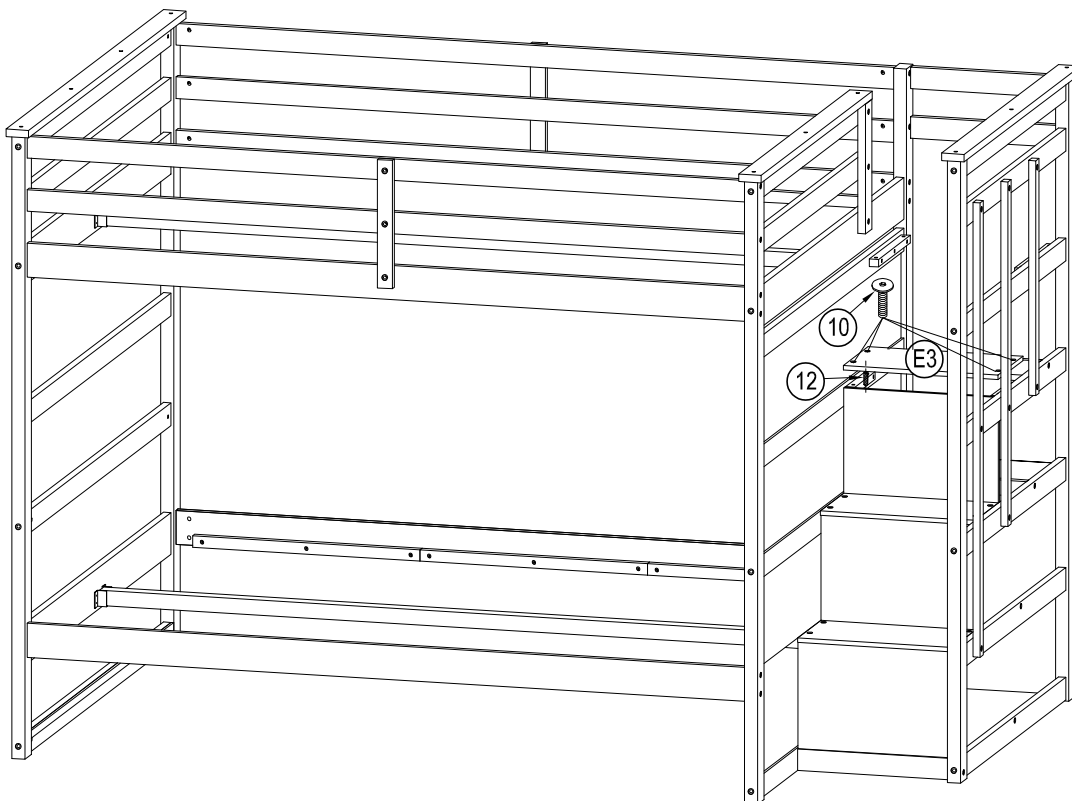


4 pcs

12



2 pcs

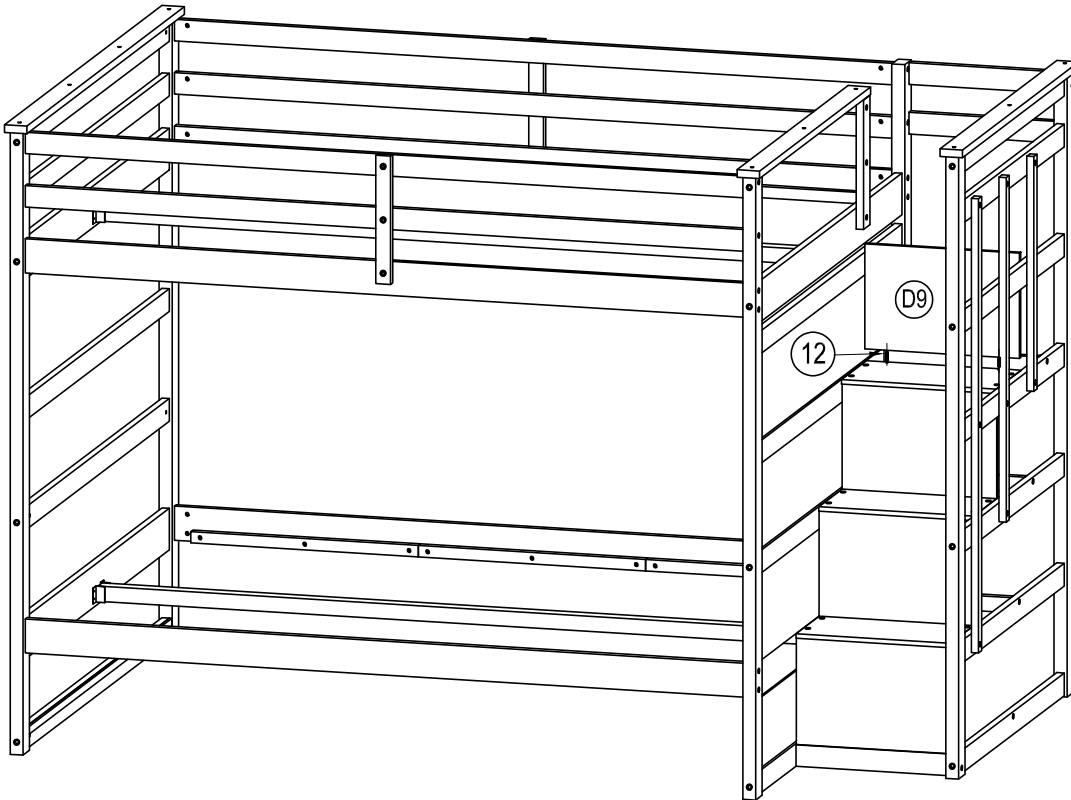


**STEP 18:** Following below illustration.

12

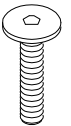


2 pcs



**STEP 19:** Following below illustration.

10

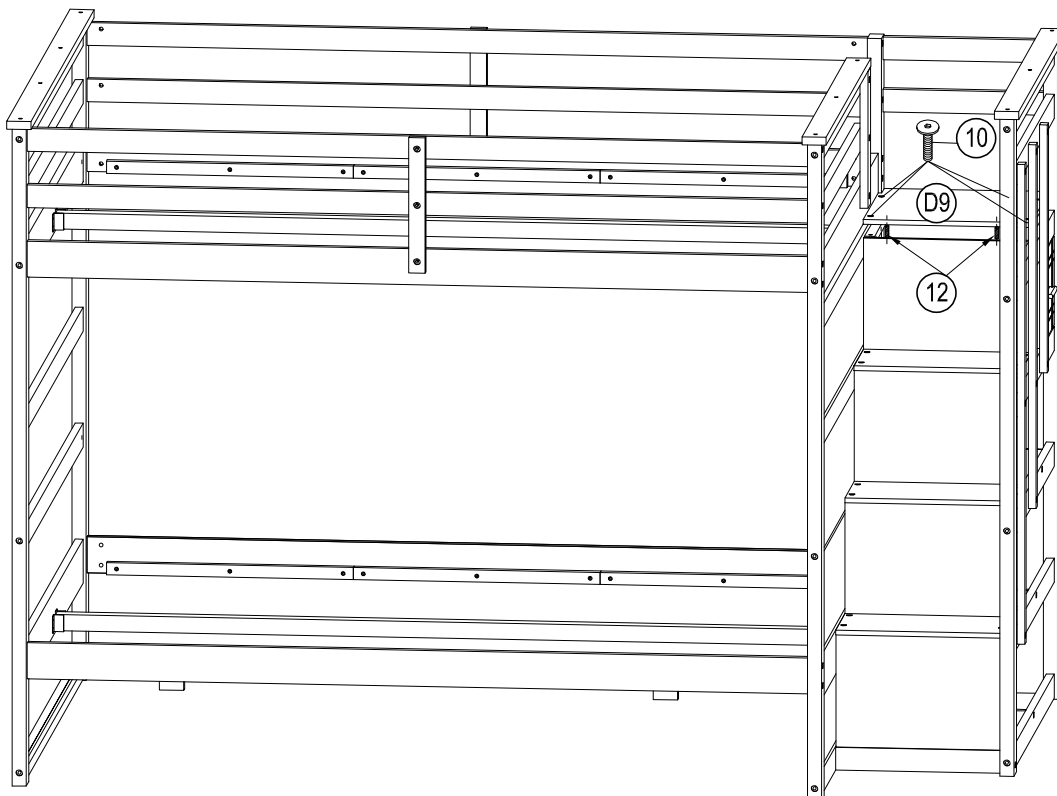


4 pcs

12



2 pcs

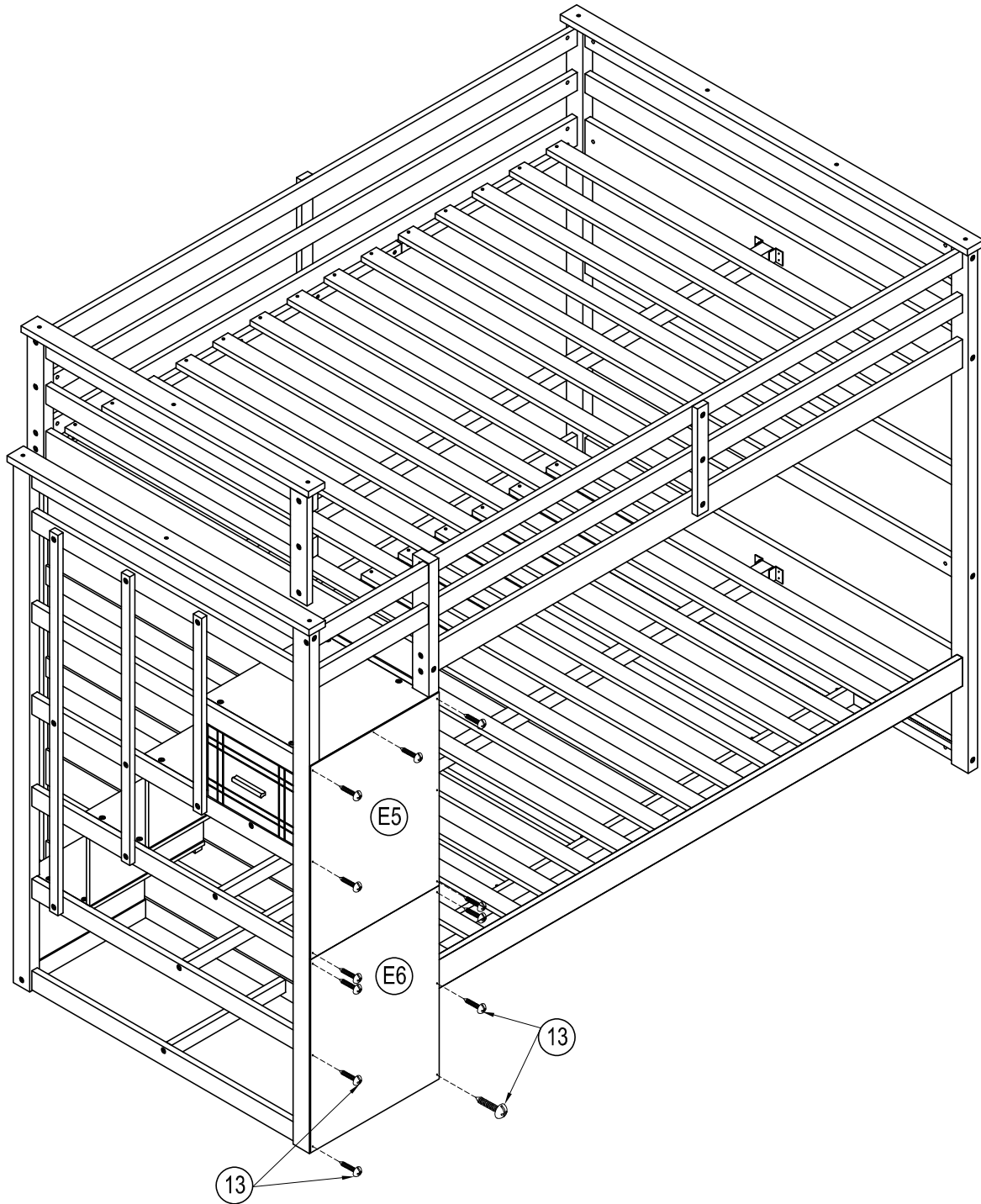


**STEP 20:** Following below illustration.

13



13 pcs



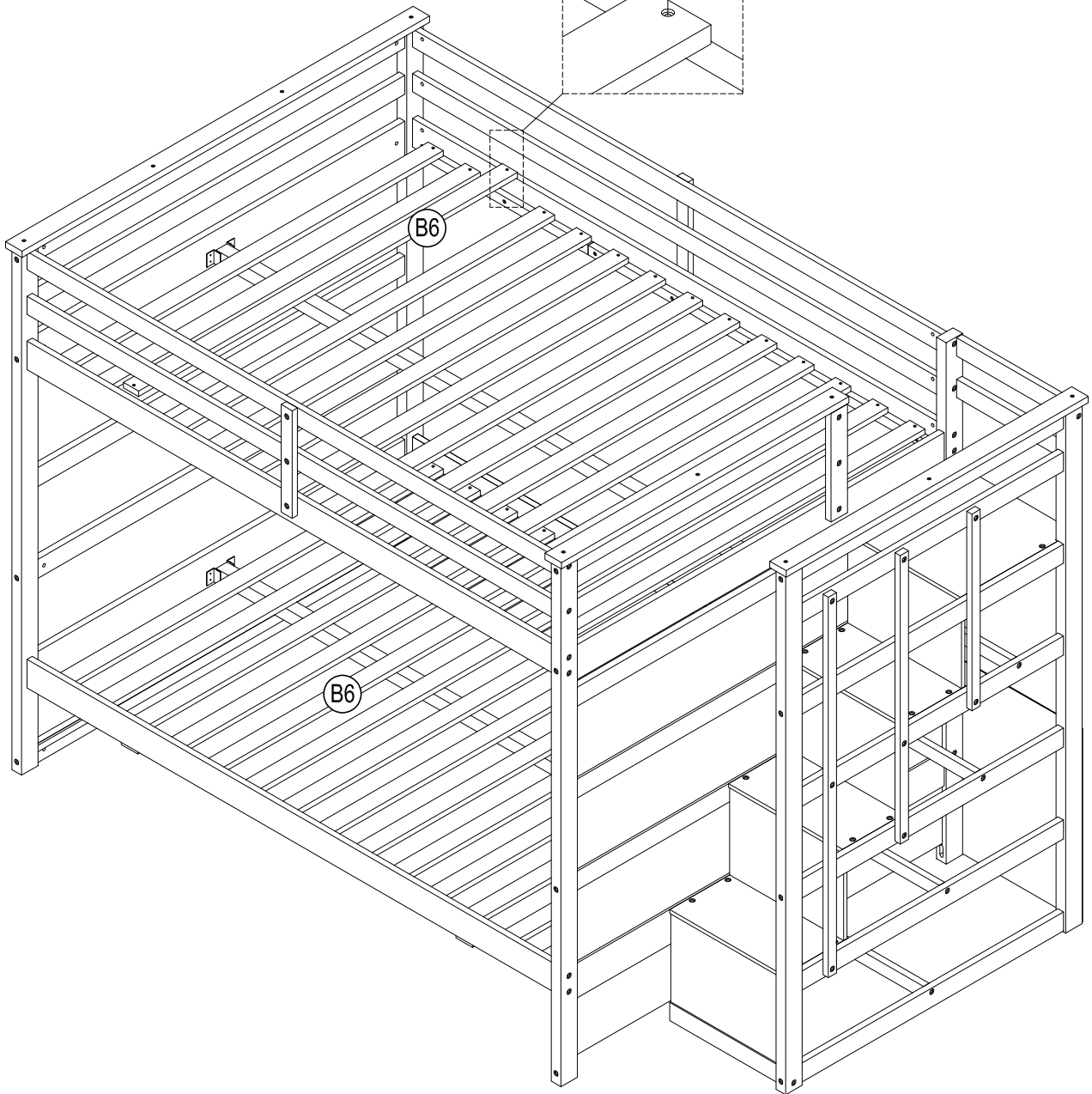
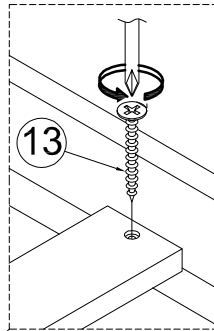


**STEP 21:** Following below illustration.

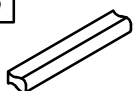

21

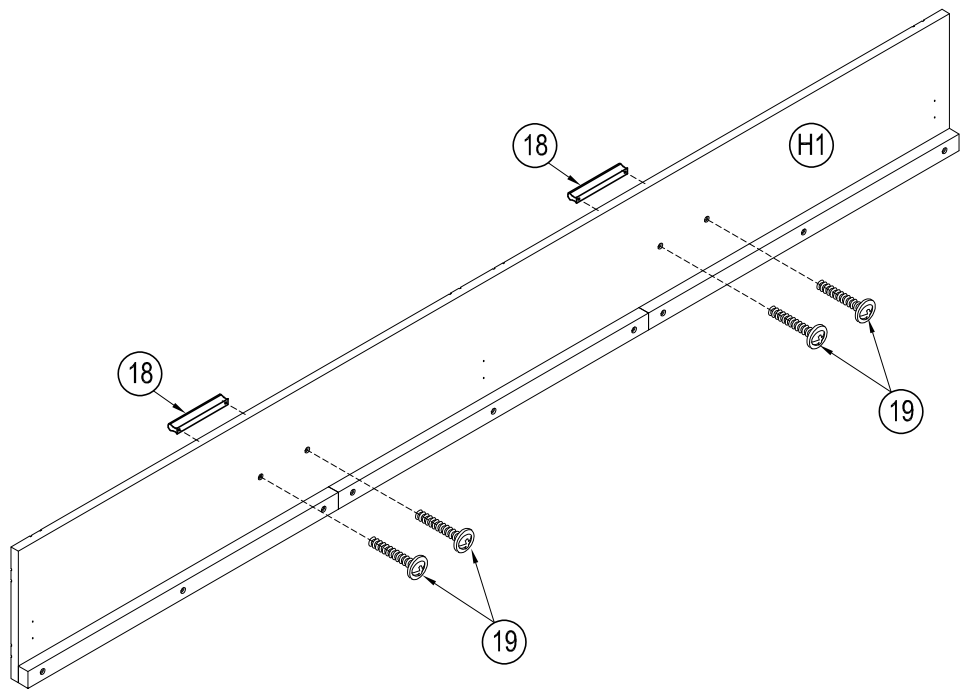


56 pcs

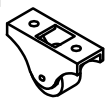



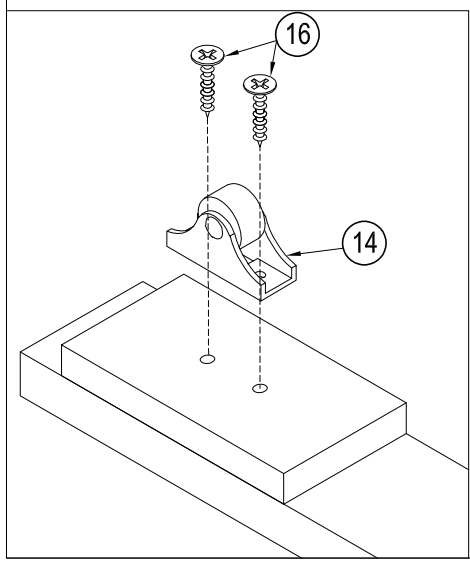
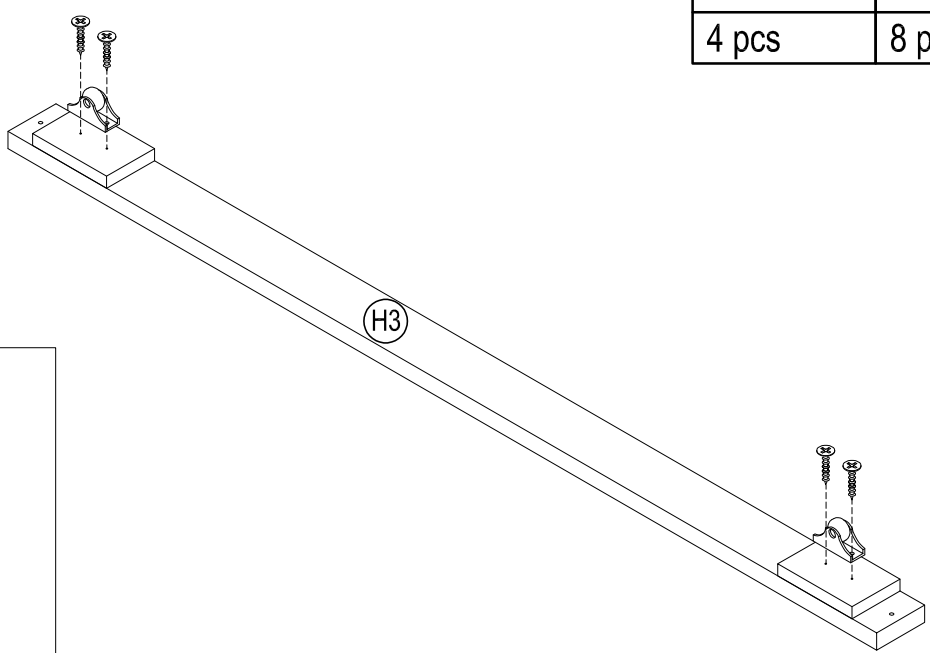
**STEP 22:** Following below illustration.

18		19	
2 pcs		4 pcs	


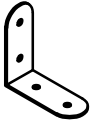



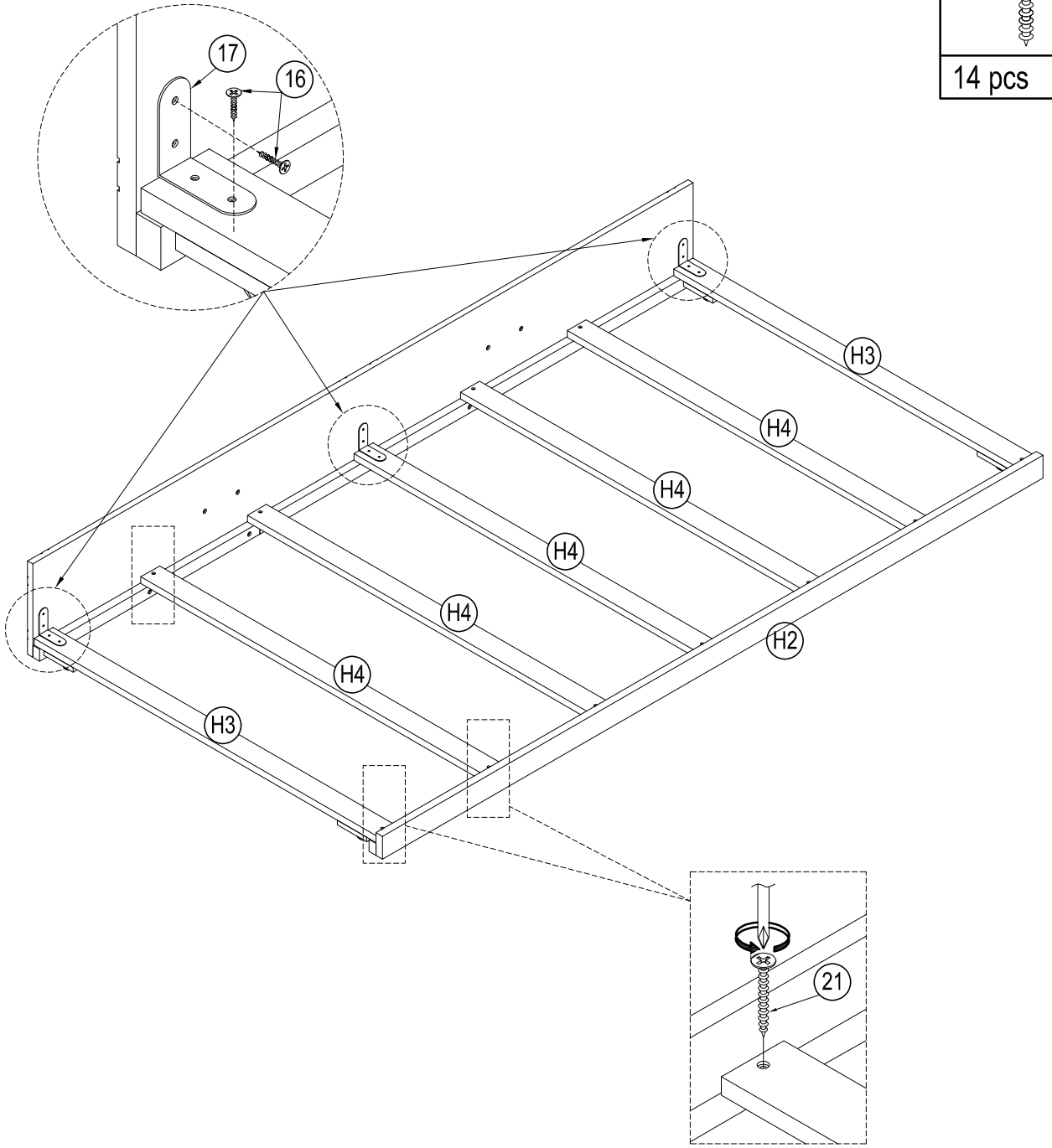
**STEP 23:** Following below illustration.

14		16	
4 pcs		8 pcs	

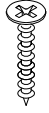


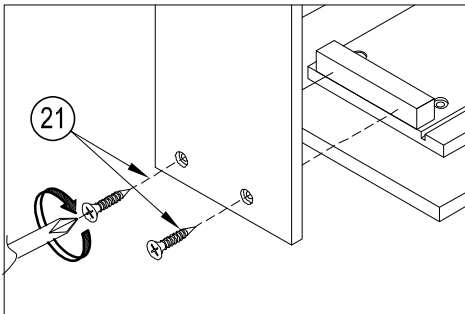
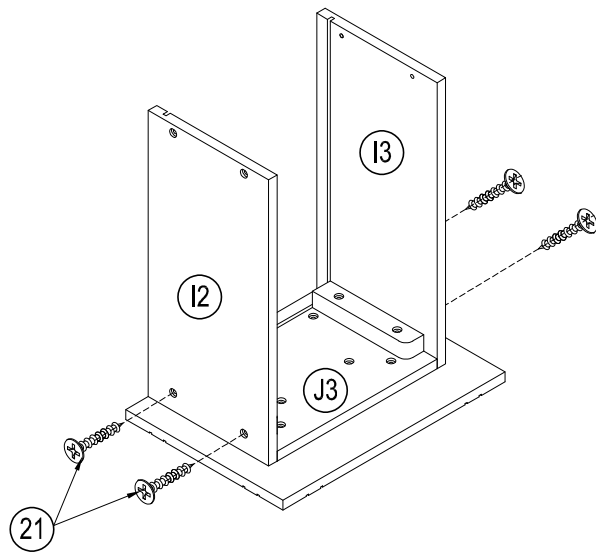
# STEP 24: Following below illustration.

16		17	
12 pcs		3 pcs	
		21	
		14 pcs	

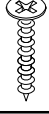


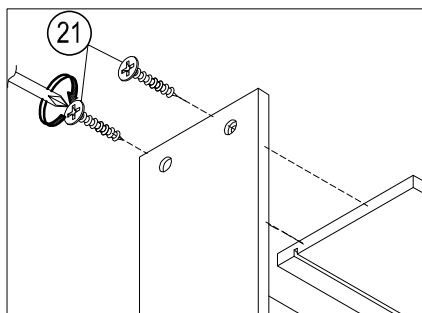
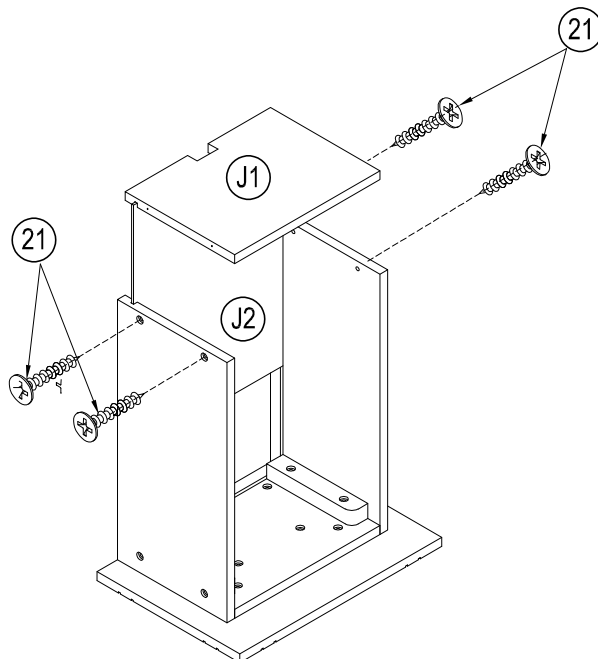
**STEP 25:** Following below illustration.

21	
4 pcs	

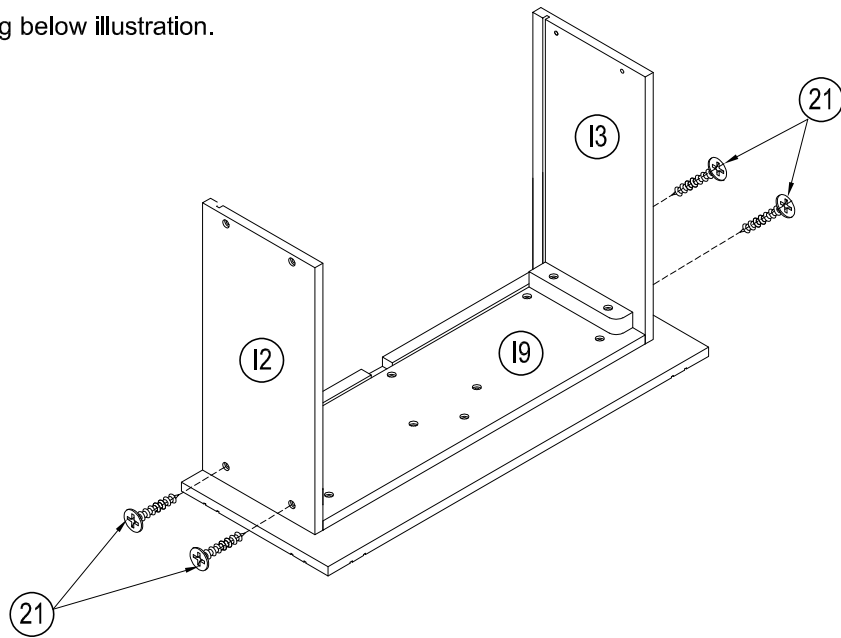


**STEP 26:** Following below illustration.

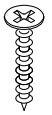
21	
4 pcs	



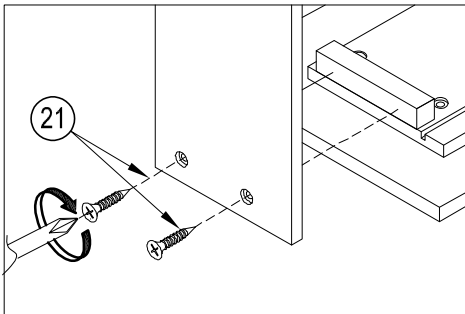
**STEP 27:** Following below illustration.



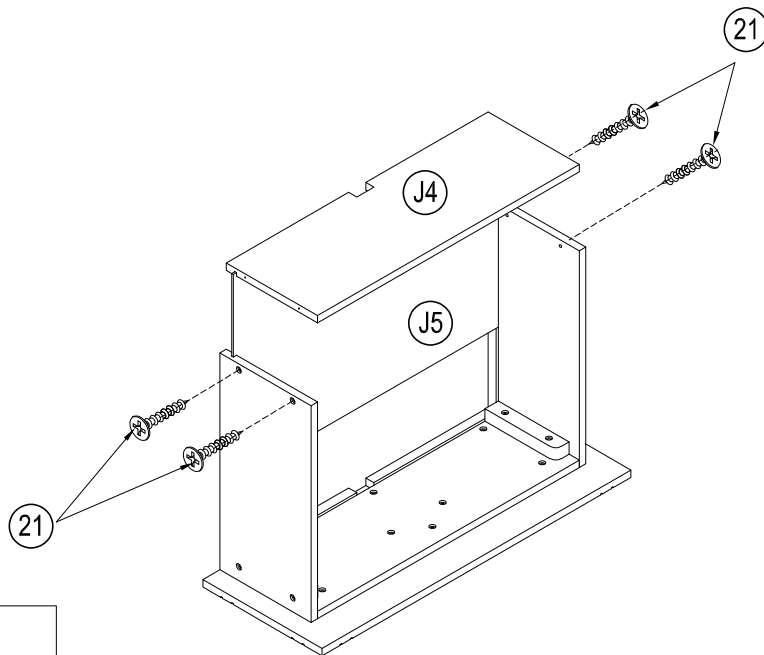
21



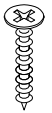
4pcs



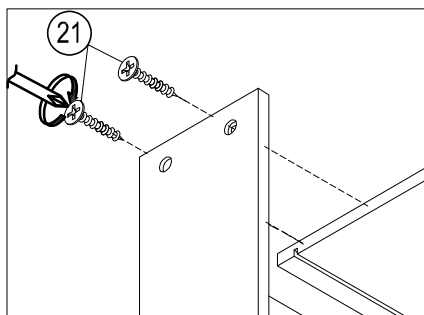
**STEP 28:** Following below illustration.



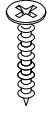
21

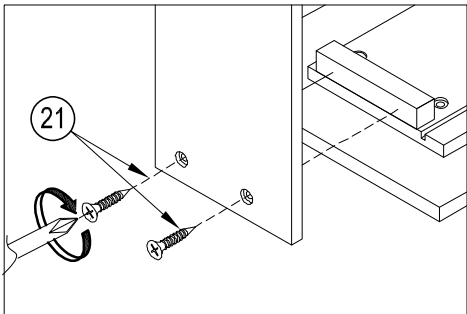
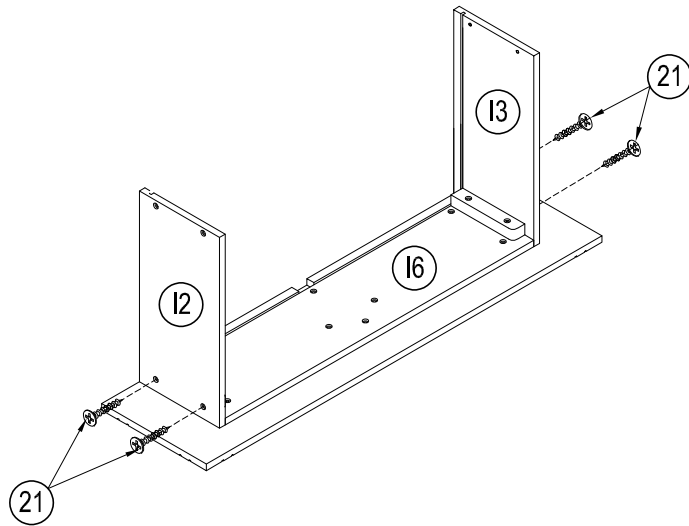


4pcs

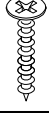


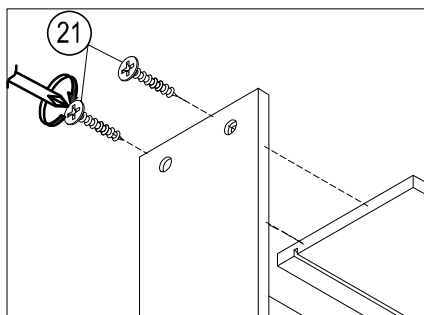
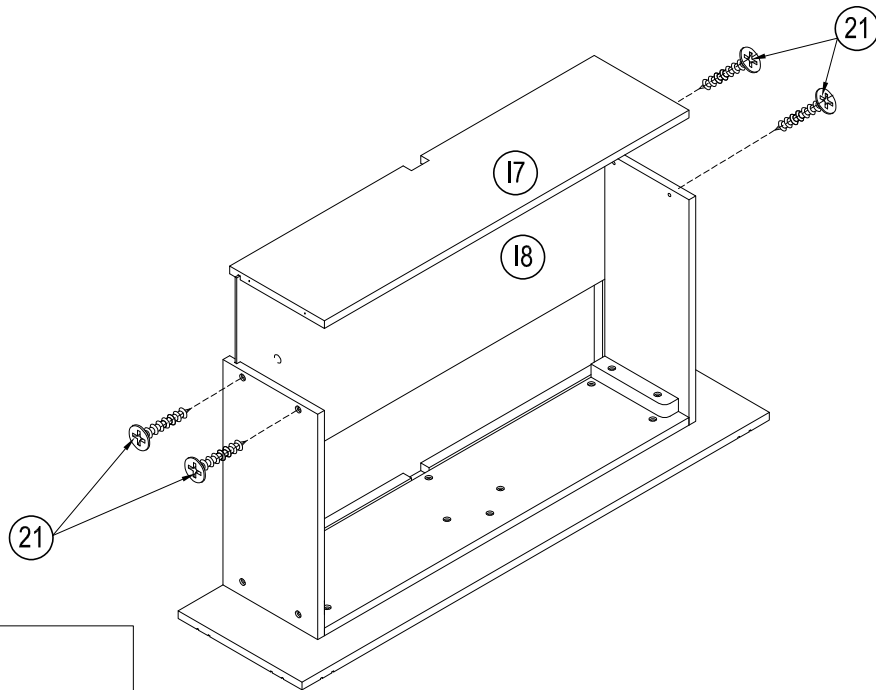
**STEP 29:** Following below illustration.

21

4pcs

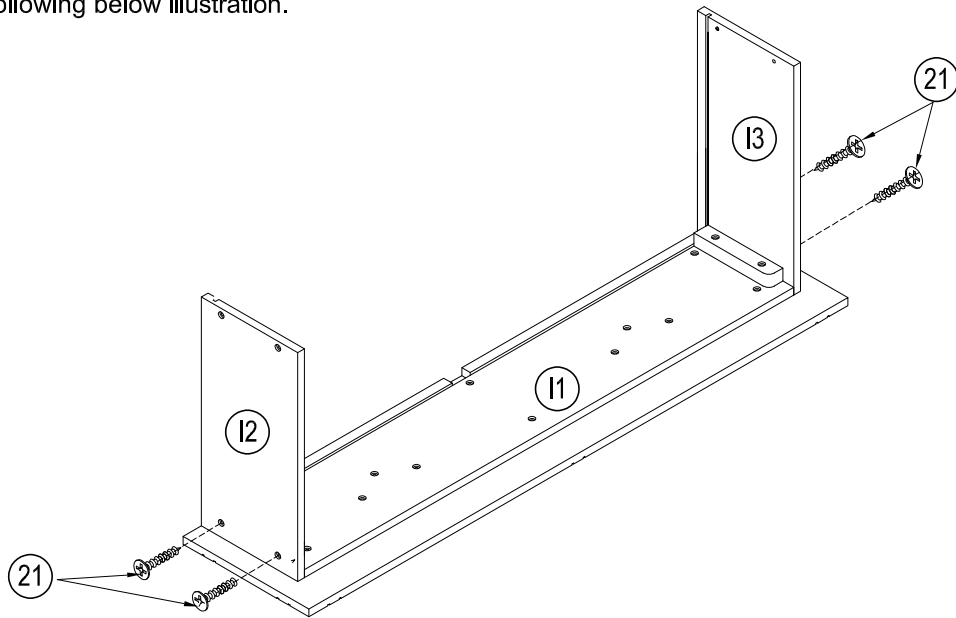


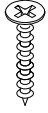
**STEP 30:** Following below illustration.

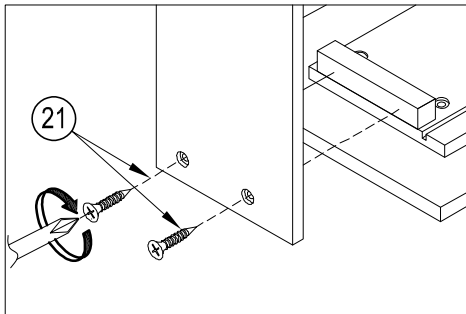
21

4pcs



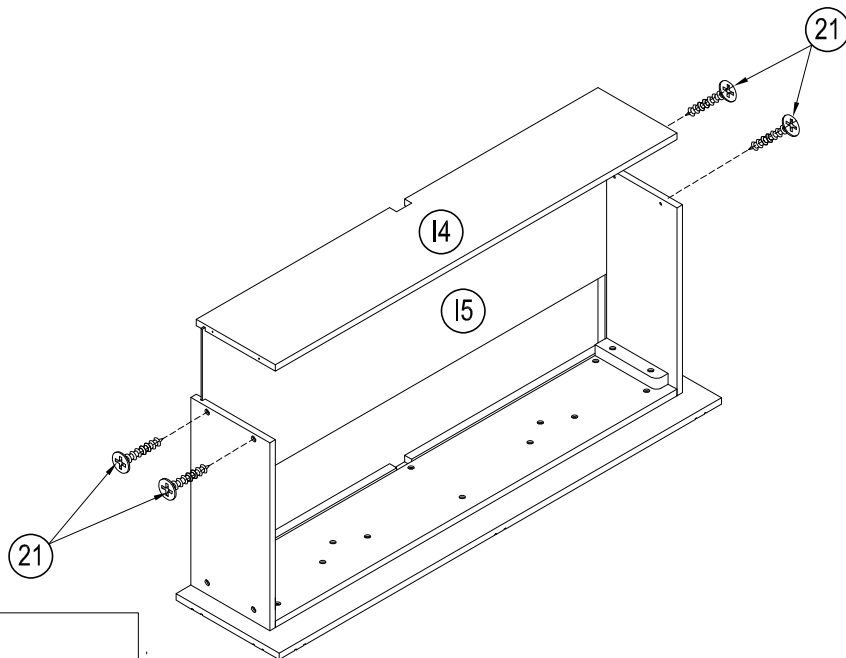
# STEP 31: Following below illustration.

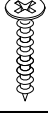


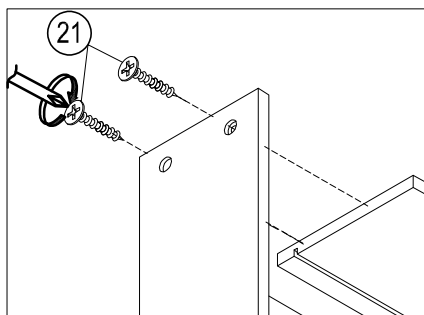
21	
4pcs	



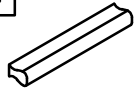

# STEP 32: Following below illustration.

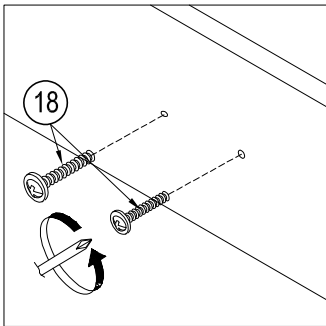
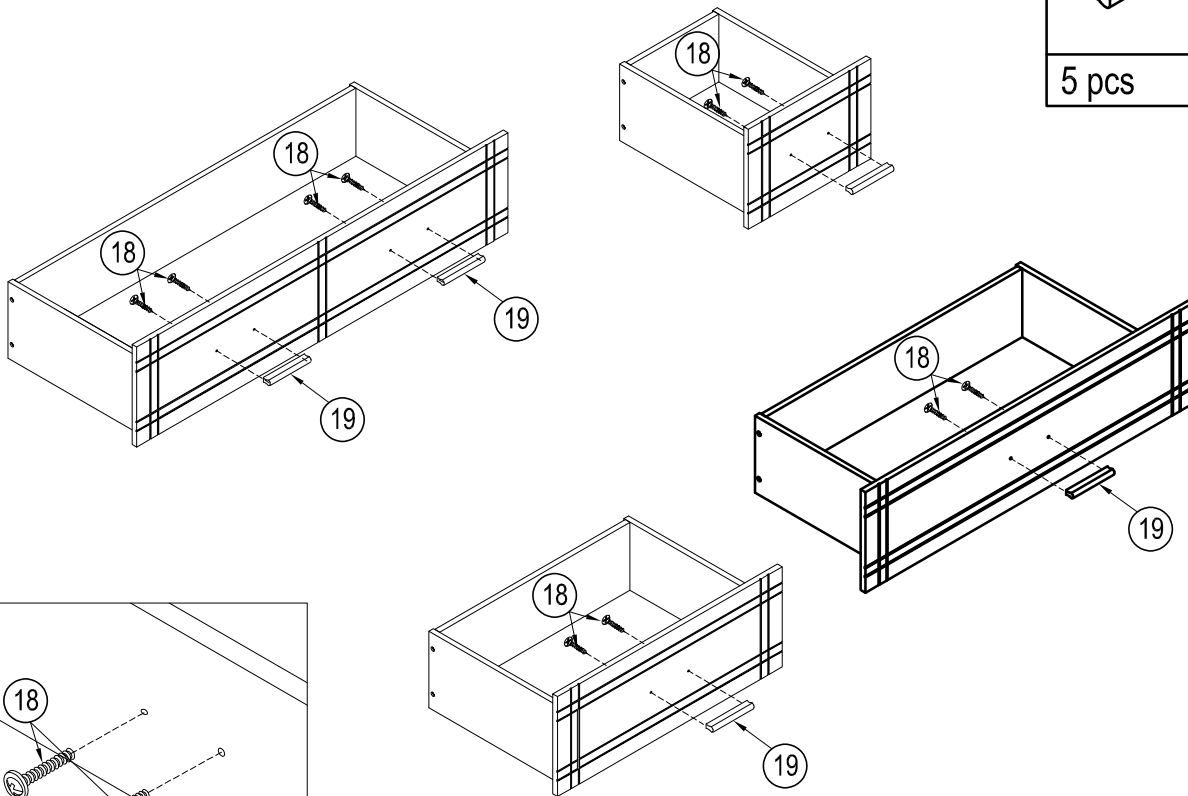


21	
4pcs	





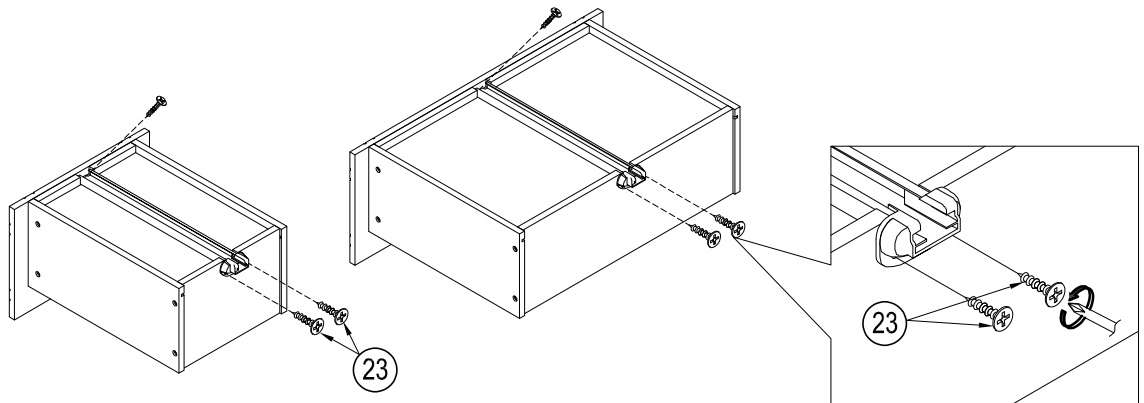
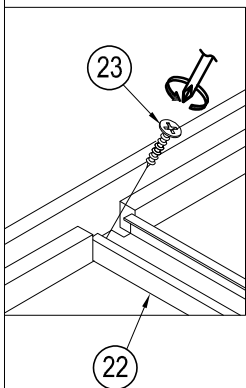
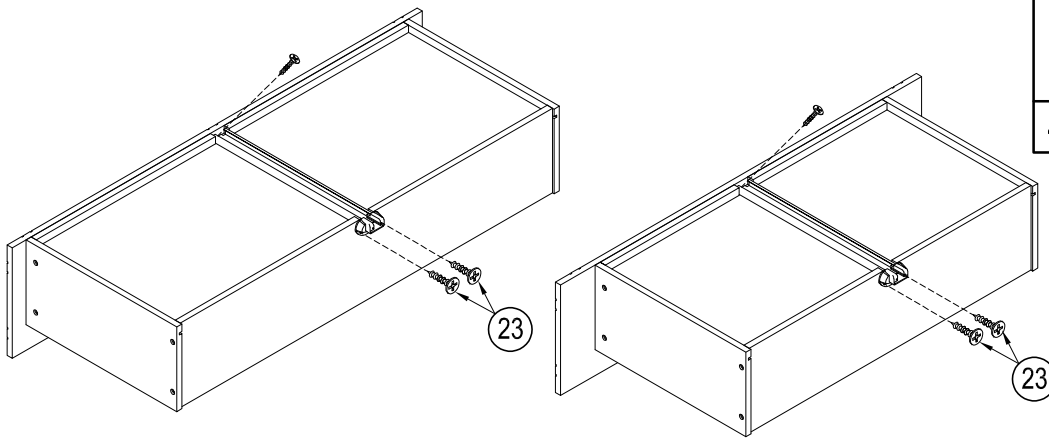
# STEP 33: Following below illustration.

18		19	
5 pcs		10 pcs	



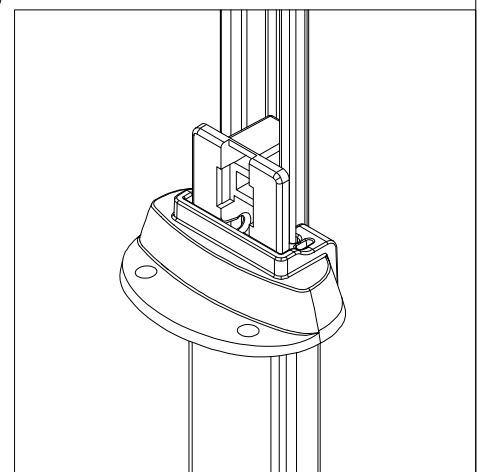
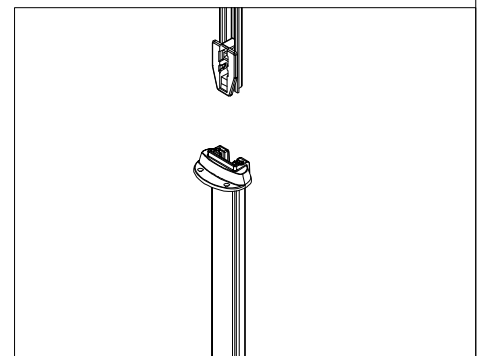
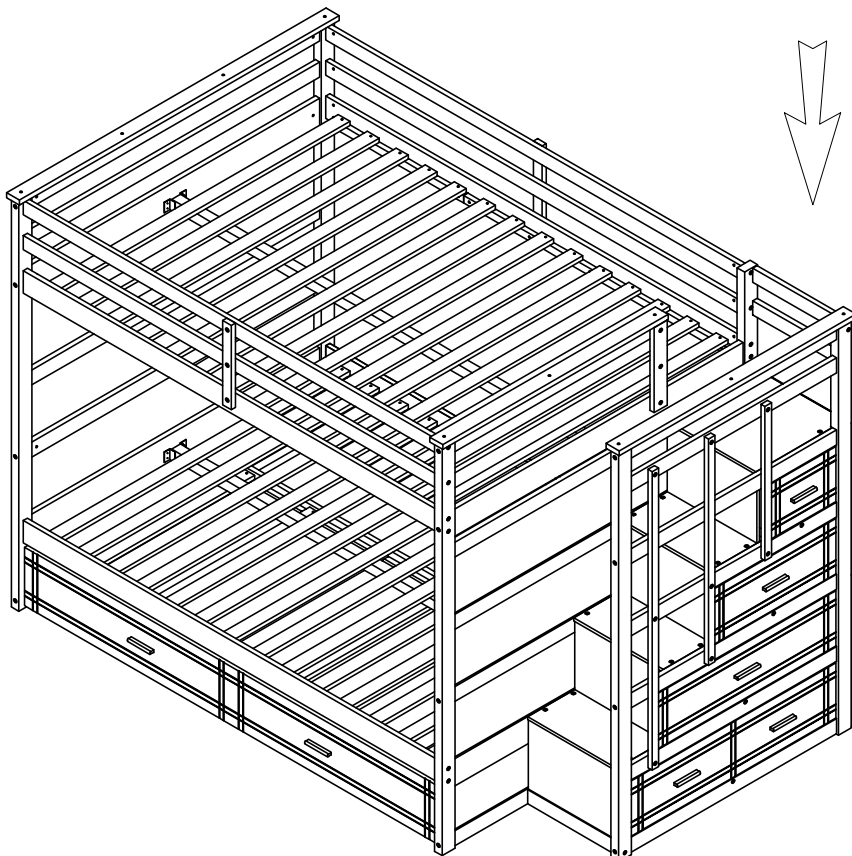
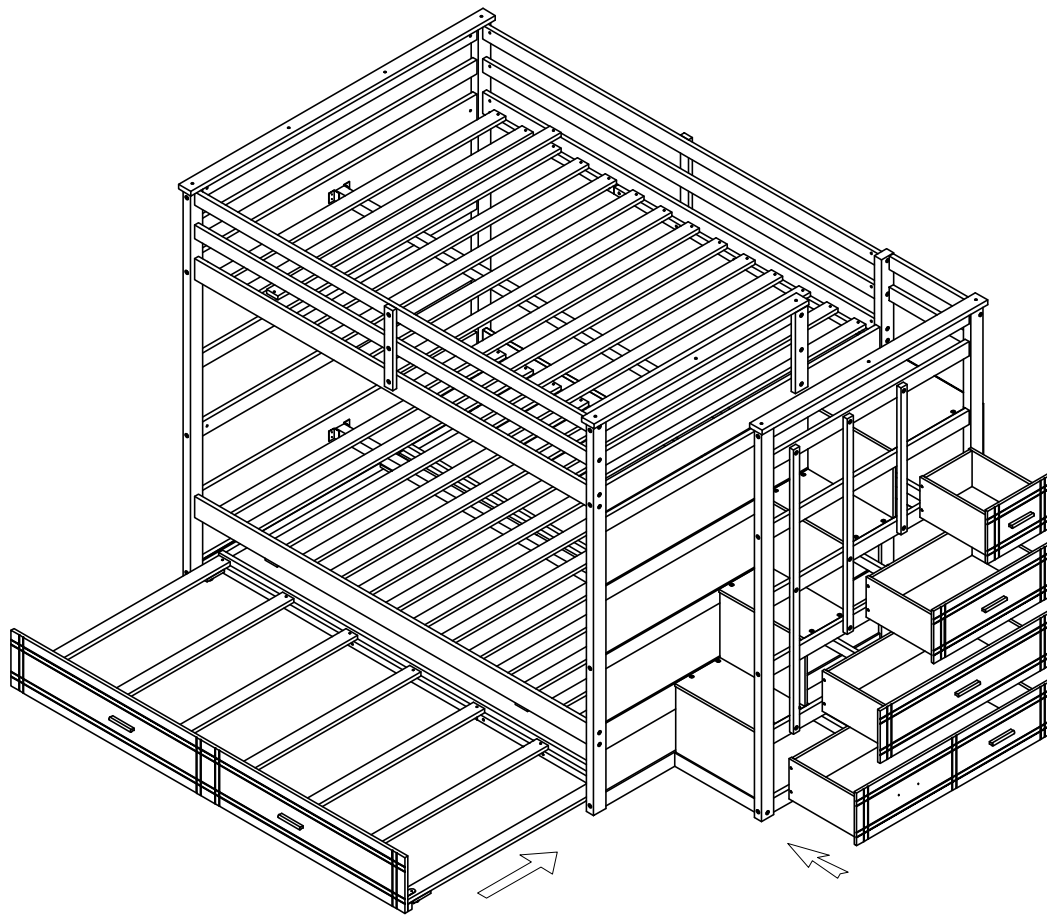
# STEP 34: Following below illustration.

22		23	
4 pcs		12 pcs	





**STEP 35:** Following below illustration.



Assemble 2 Slide rails  
( Bottom Drawer View )