

ASSEMBLY INSTRUCTION

SKU CODE: (WF306673-WF306674)

This set is included 2 boxes if don't receive full 2 boxes please contact our customer service team



! SAFETY WARNINGS !

1. This bed is designed for use only mattress (es) meeting the following specifications on the upper bunk, and lower bunk

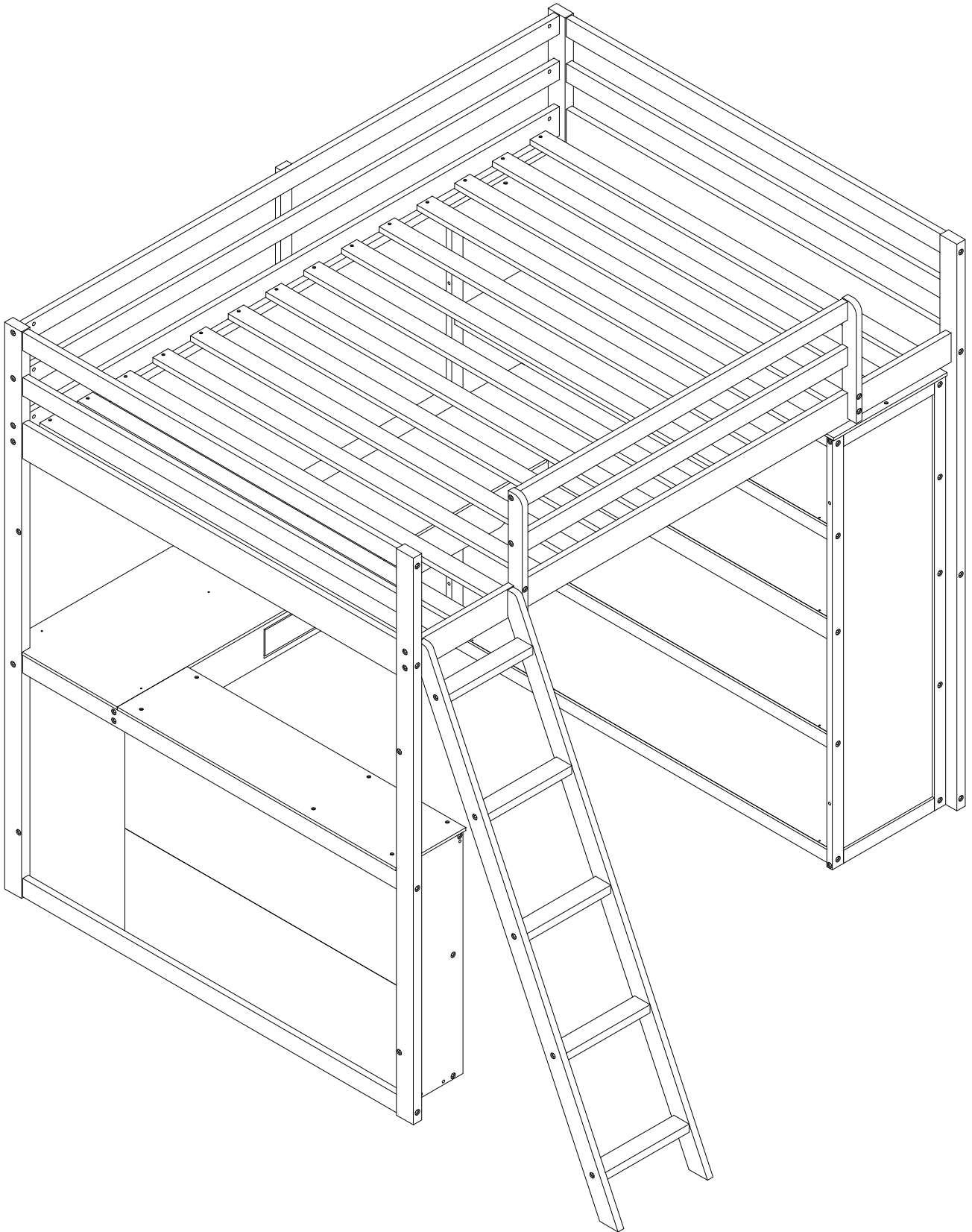
Upper bed Bed Type	Length	Width	Thickness
<i>Twin Standard</i>	<i>74" - 75"</i>	<i>38 1/2"</i>	<i>6" max</i>

2. Replacement parts, including additional guardrails, maybe obtained from any of our (GIGACLOUD TECHNOLOGY (USA) INC. 18961 ARENTH AVENUE CITY OF INDUSTRY, CA, 91748) dealers
3. Follow the information on the warnings appearing on the upper bunk bed end structure and on the carton. Do not remove warning label from bed
4. Always use the recommended size mattresses or mattress supports, or both, to help prevent the likelihood of entrapment or falls.
5. Surface of mattress must be at least 5" (127mm) below the upper edge of guardrails
6. Do not allow children under 6 years of age to use the upper bunk.
7. Periodically check and ensure that the guardrail, ladder, and other components are in their proper position, free from damage, and that all connectors are tight.
8. Do not allow horseplay on or under the bed and prohibit jumping on the bed.
9. Always use the ladder for entering and leaving the upper bunkAlways use the ladder for entering and leaving the upper bunk.
10. Do not use substitute part. Contact the manufacture or dealer for replacement part
11. Use of a night light may provide added safety precaution for a child using the upper bunk..
12. Always use guardrails on both long sides of the upper bunk. If the bunk bed will be placed next to the wall, the guardrail that runs the full length of the bed should be placed against the wall to prevent entrapment between the bed and wall.
13. The use of water or sleep flotation mattresses is prohibited
14. STRANGULATION HAZARD - Never attach or hang items to any part of the bunk bed that are not designed for use with the bed; for example, but not limited to, hook, belts and jump ropes
15. Keep these instruction for future reference
16. Prohibit more than one person on upper bunk
17. We recommend assembling your bunk bed on the shipping carton to protect your floor or carpet
18. Be certain all staples are out of the box before beginning assembly on the shipping carton.

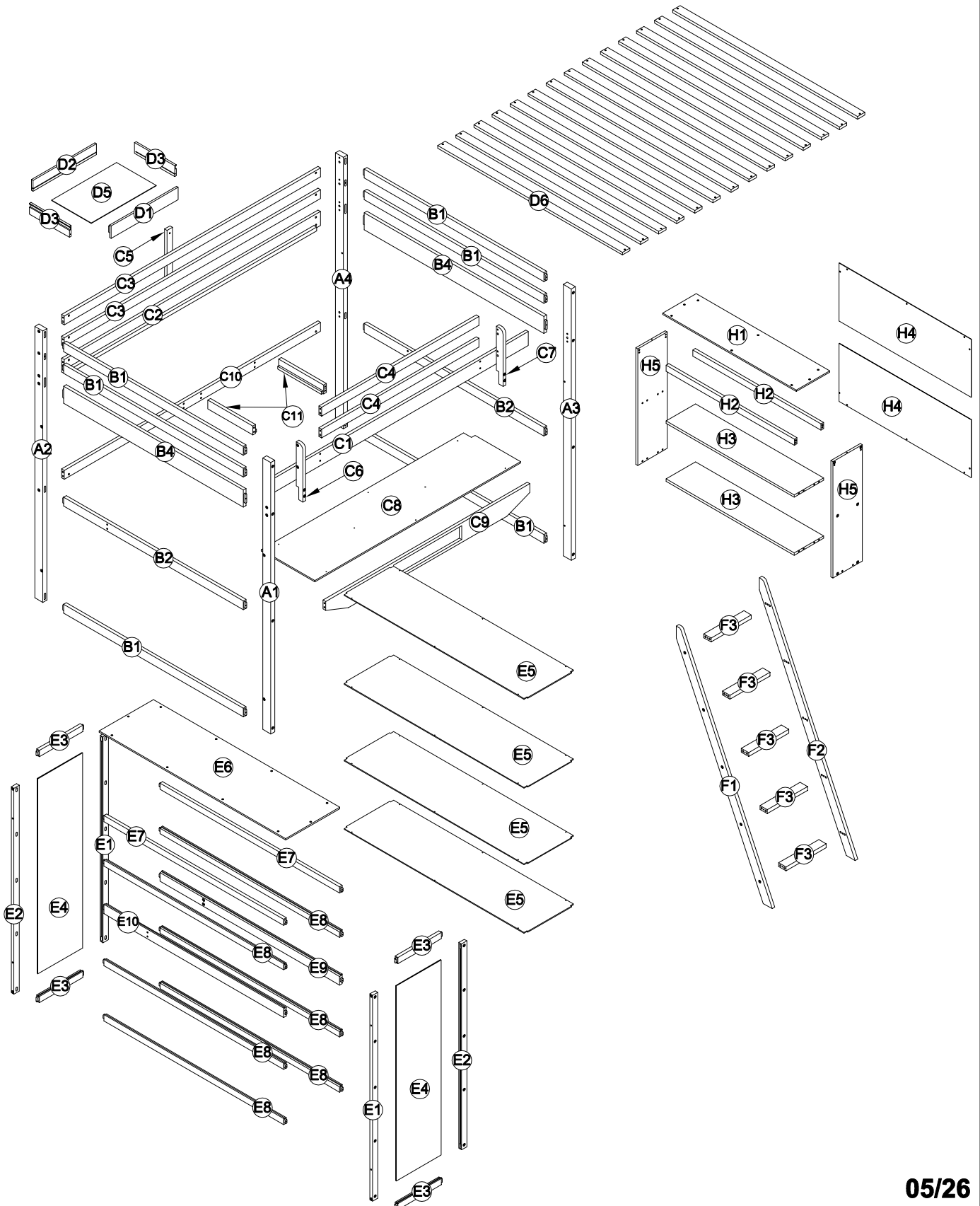
OPTION 1: STAIRS IN RIGHT







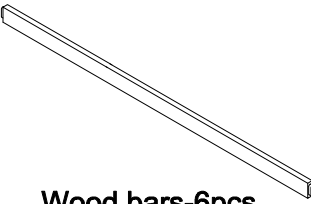
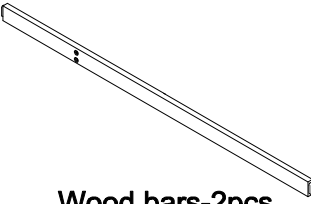
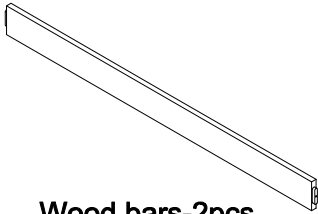
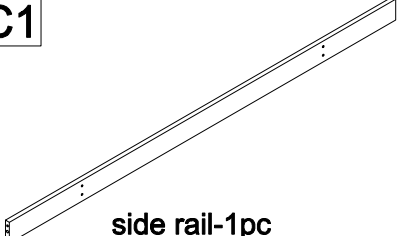
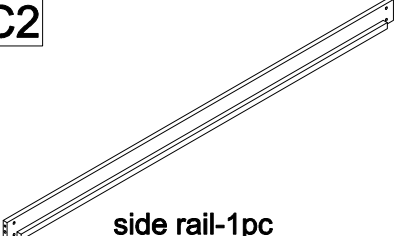
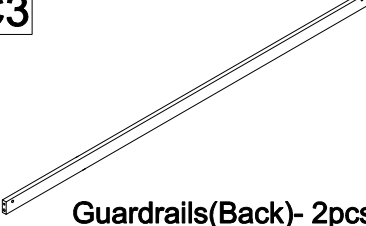
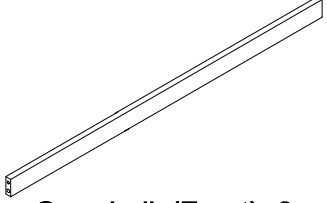



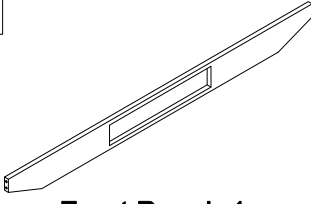
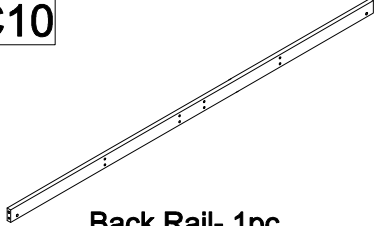
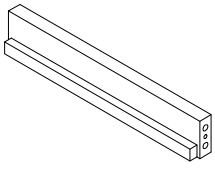


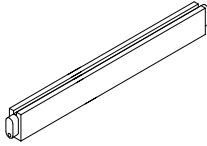
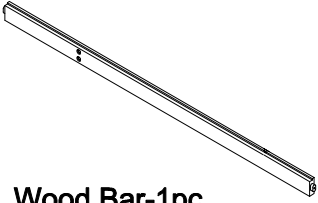
OPTION 2: STAIRS IN LEFT



ASSEMBLY INSTRUCTION

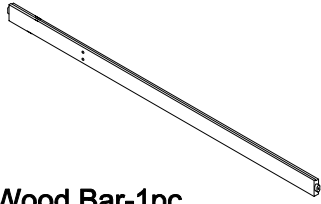


Part List & Hardware List (Box 1-WF306673)

<p>A1</p>  <p>Leg-1pc</p>	<p>A2</p>  <p>Leg-1pc</p>	<p>A3</p>  <p>Leg-1pc</p>
<p>A4</p>  <p>Leg-1pc</p>	<p>B1</p>  <p>Wood bars-6pcs</p>	<p>B2</p>  <p>Wood bars-2pcs</p>
<p>B4</p>  <p>Wood bars-2pcs</p>	<p>C1</p>  <p>side rail-1pc</p>	<p>C2</p>  <p>side rail-1pc</p>
<p>C3</p>  <p>Guardrails(Back)- 2pcs</p>	<p>C4</p>  <p>Guardrails(Front)- 2pcs</p>	<p>C5</p>  <p>Back Rail- 1pc</p>
<p>C6</p>  <p>Front Rail- 1pc</p>	<p>C7</p>  <p>Front Rail- 1pc</p>	<p>C9</p>  <p>Front Panel- 1pc</p>
<p>C10</p>  <p>Back Rail- 1pc</p>	<p>C11</p>  <p>Bottom Frames- 2pcs</p>	<p>E1</p>  <p>Horizontal Bars-2pcs</p>
<p>E2</p>  <p>Horizontal Bars-2pcs</p>	<p>E3</p>  <p>Vetical Bars-4pcs</p>	<p>E9</p>  <p>Wood Bar-1pc</p>

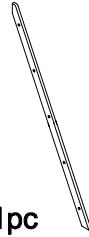
Part List & Hardware List (Box 1-WF306673)

E10



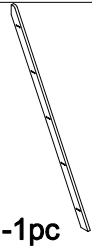
Wood Bar-1pc

F1



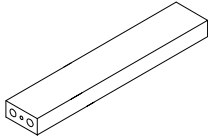
Stair Side -1pc

F2



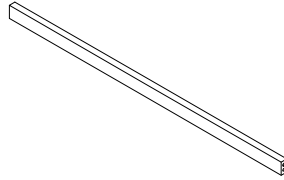
Stair Side -1pc

F3



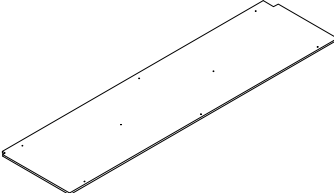
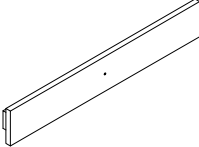
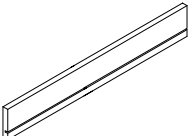
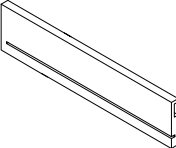
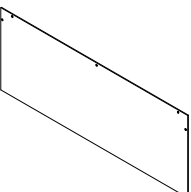
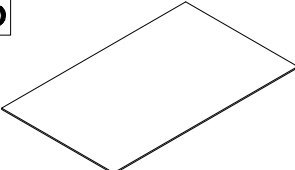
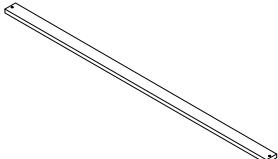
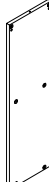
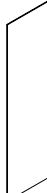
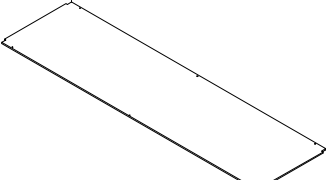
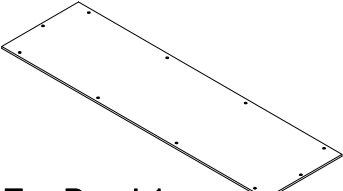

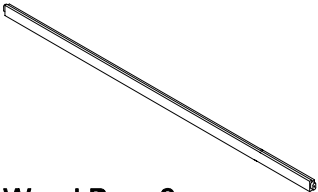
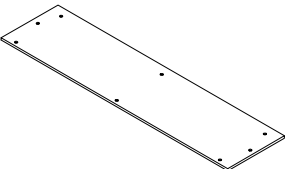
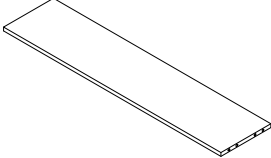
Step Stairs-5pcs

H2

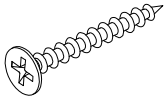
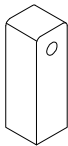
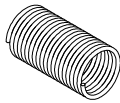
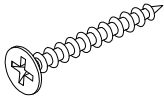
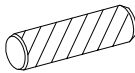

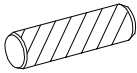
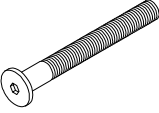

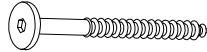
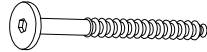
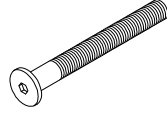

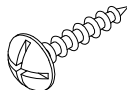
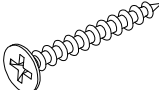
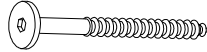
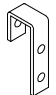

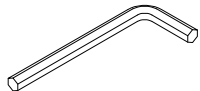




Wood Bars-2pcs

Part List (Box 2-WF306674)

<p>C8</p>  <p>Table Top Panel- 1pc</p>	<p>D1</p>  <p>Drawer-Front Panel-1pc</p>	<p>D2</p>  <p>Drawer-Back Panel-1pc</p>
<p>D3</p>  <p>Drawer-Side Panels-2pcs</p>	<p>H4</p>  <p>Back Panels-2pcs</p>	<p>D5</p>  <p>Drawer-Bottom Panel-1pc</p>
<p>D6</p>  <p>Slats-14pcs</p>	<p>H5</p>  <p>Side Panels-2pcs</p>	<p>E4</p>  <p>Panels-2pcs</p>
<p>E5</p>  <p>Panels-4pcs</p>	<p>E6</p>  <p>Top Panel-1pc</p>	<p>E7</p>  <p>Wood Bars-2pcs</p>
<p>E8</p>  <p>Wood Bars-6pcs</p>	<p>H1</p>  <p>Top Panel-1pc</p>	<p>H3</p>  <p>Bottom Panels-2pcs</p>

Hardware List(Box 1-WF306673)

<p>1</p>  <p>M4 x 20 mm Wood Screws 30pcs</p>	<p>2</p>  <p>Stop Drawer 1pc</p>	<p>3</p>  <p>Spring 1pc</p>
<p>4</p>  <p>M4 x 50 mm Wood Screws 4pcs</p>	<p>5</p>  <p>Ø8 x 30 mm Wood dowel 20pcs</p>	<p>6</p>  <p>Screws 1/4" x30 3pcs</p>
<p>7</p>  <p>Ø10 x 40 mm Wood dowel 34pcs</p>	<p>8</p>  <p>Ø1/4" x 70 mm Hex-Head bolts 8pcs</p>	<p>9</p>  <p>Ø1/4" x 13 mm Horizontal-Hole bolts 22pcs</p>
<p>10</p>  <p>Screws 1/4" x40 24pcs</p>	<p>11</p>  <p>Screws 1/4" x80 16pcs</p>	<p>12</p>  <p>Ø1/4" x 80 mm Hex-Head bolts 14pcs</p>
<p>13</p>  <p>Screws 1/4" x60 12pcs</p>	<p>14</p>  <p>M4 x 15 mm Wood Screws 37pcs</p>	<p>15</p>  <p>M4 x 30 mm Wood Screws 33pcs</p>
<p>16</p>  <p>Screws 1/4" x50 10pcs</p>	<p>17</p>  <p>Steel Bracket 2pcs</p>	<p>18</p>  <p>Ø1/4" x 25 mm Hex-Head bolts 8pcs</p>
<p>19</p>  <p>Allen Key 1pc</p>	<p>20</p>  <p>Ø1/4" x 35 mm Hex-Head bolts 4pcs</p>	<p>21</p>  <p>Ø1/4" x 15 mm Canopy head though -4pcs</p>

Hardware List(Box 1-WF306673)

22

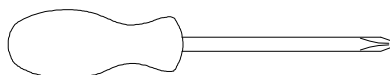


Ø1/6" x 25 mm
Hex-Head bolts 1pc

23



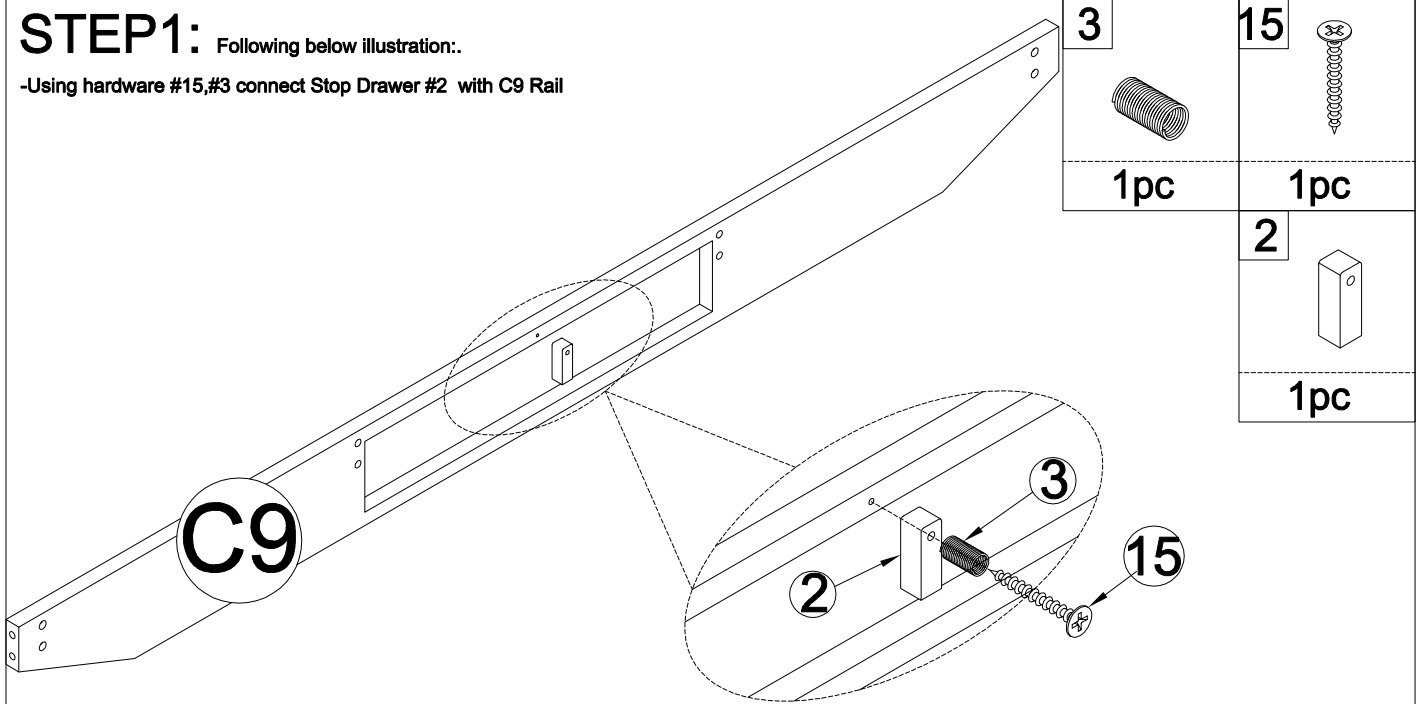
Handle Wood
1pc



Assembly Tools Required (Not Included)

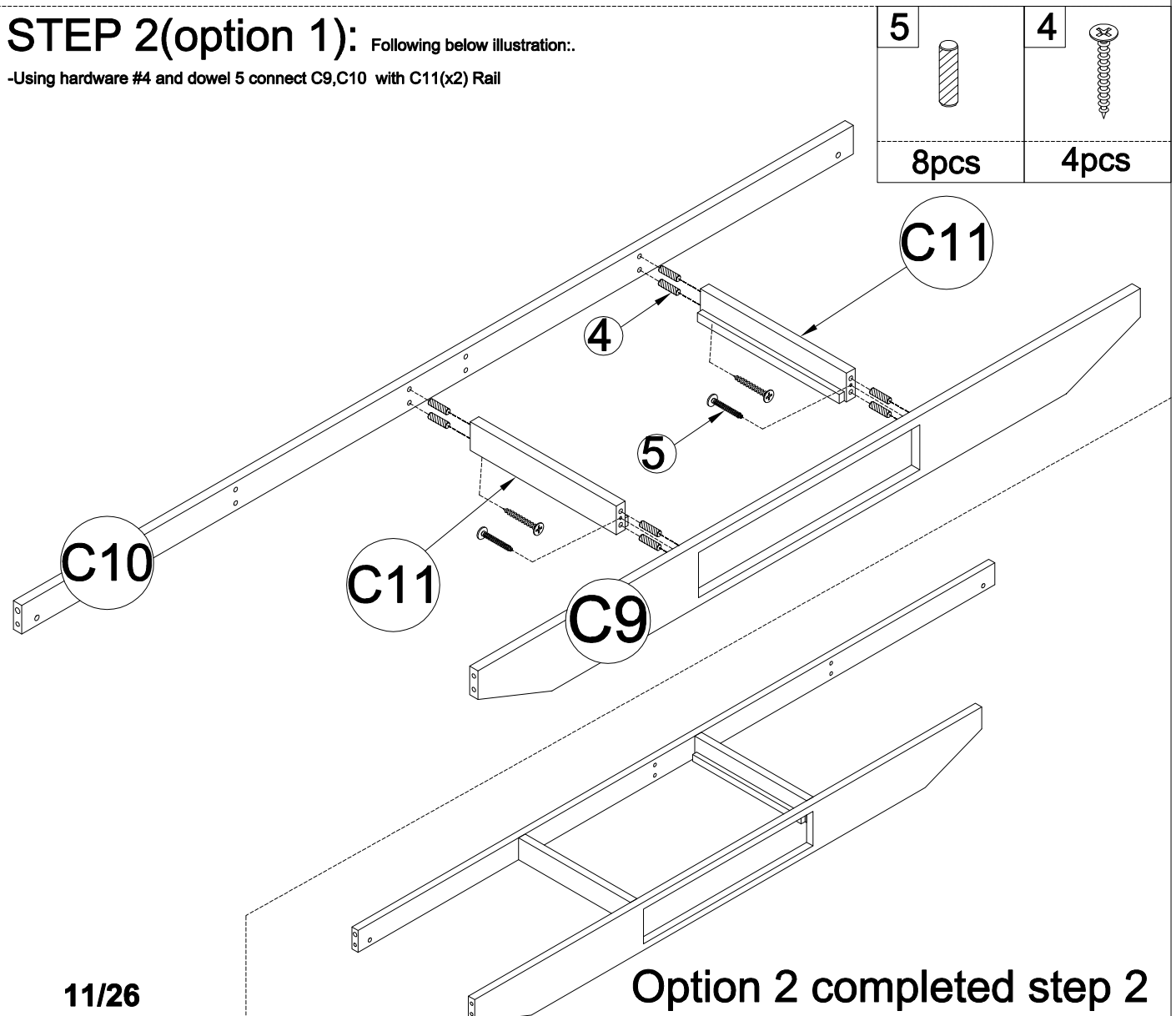
STEP1: Following below illustration:.

-Using hardware #15,#3 connect Stop Drawer #2 with C9 Rail



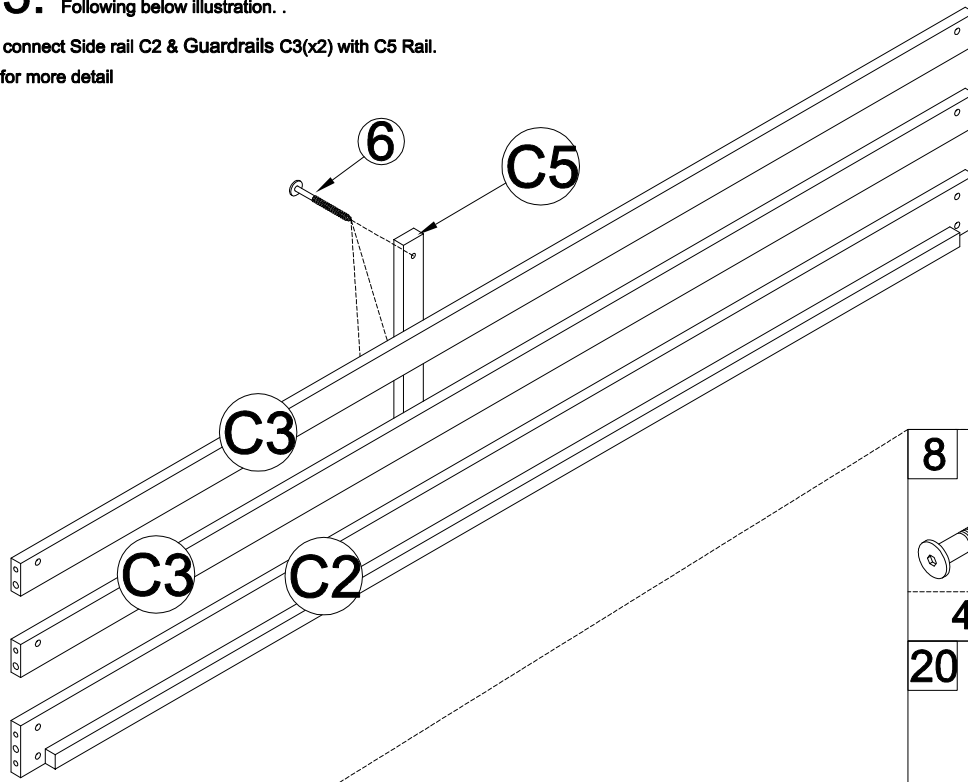
STEP 2(option 1): Following below illustration:.

-Using hardware #4 and dowel 5 connect C9,C10 with C11(x2) Rail



STEP 3: Following below illustration . .

Using hardware #6 connect Side rail C2 & Guardrails C3(x2) with C5 Rail.
 Look at detail view for more detail

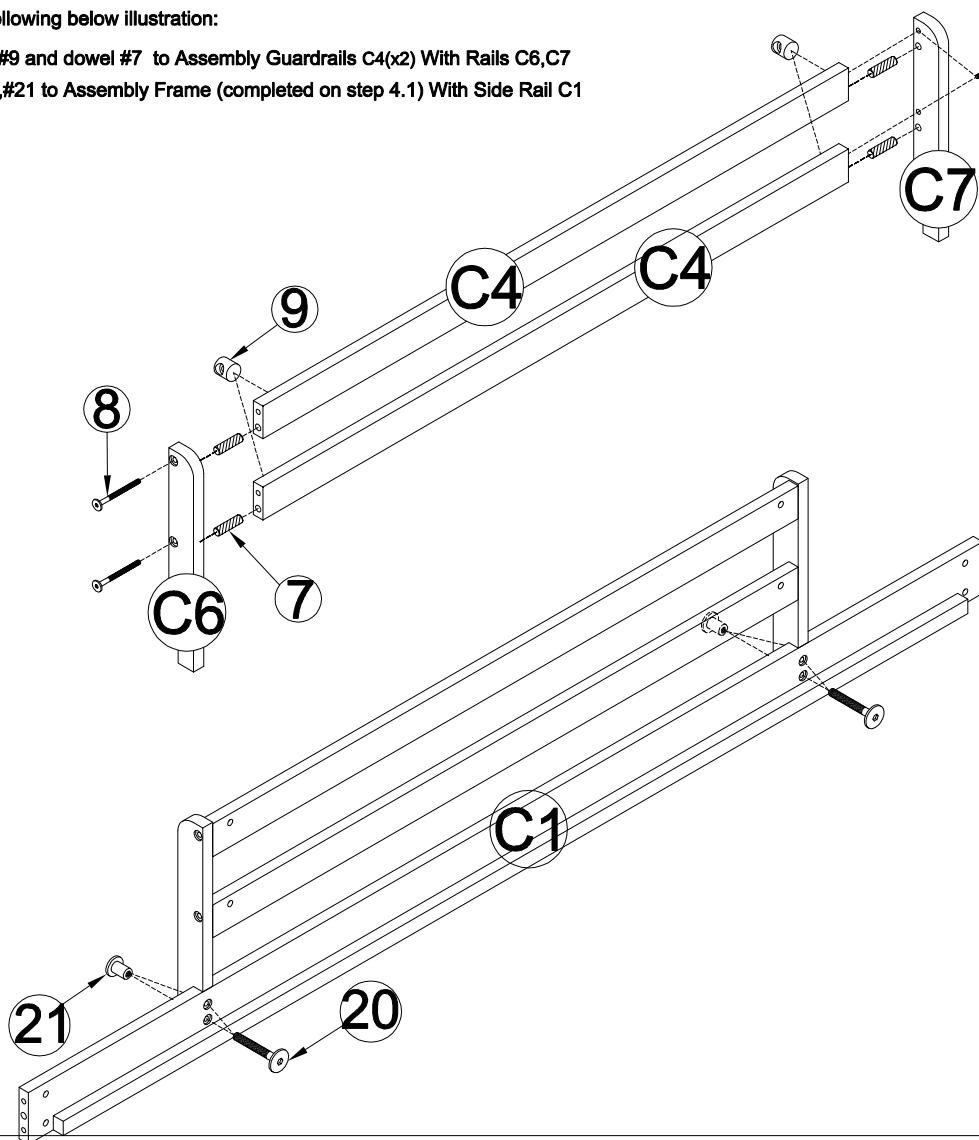


6	
3pcs	

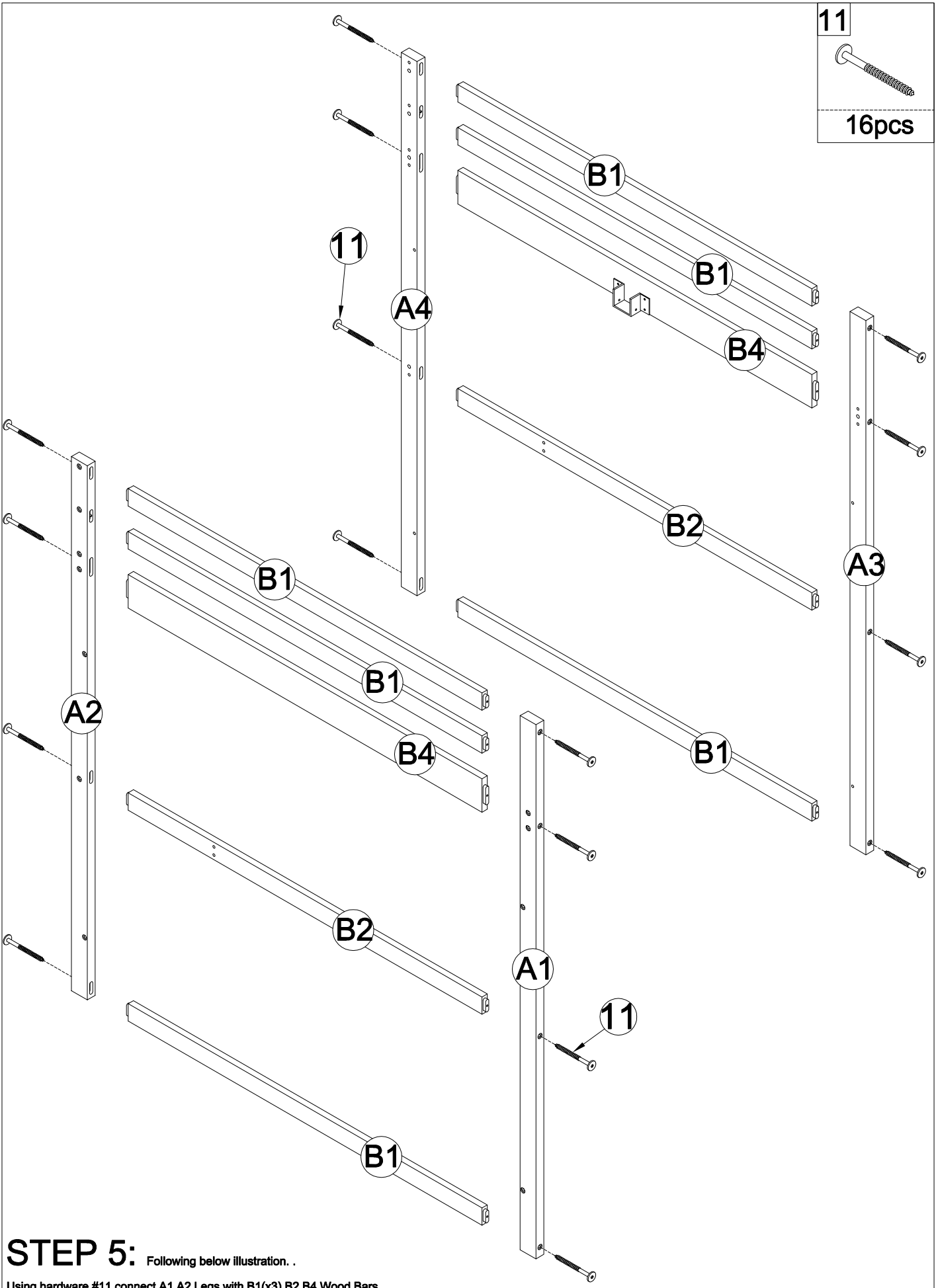
8		7	
4pcs		4pcs	
20		9	
4pcs		4pcs	

STEP 4: Following below illustration:

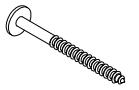
- 4.1: Using hardware #8, #9 and dowel #7 to Assembly Guardrails C4(x2) With Rails C6,C7
- 4.2: Using hardware #20,#21 to Assembly Frame (completed on step 4.1) With Side Rail C1



21	
4pcs	



11



16pcs

STEP 5: Following below illustration. .

Using hardware #11 connect A1,A2 Legs with B1(x3),B2,B4 Wood Bars

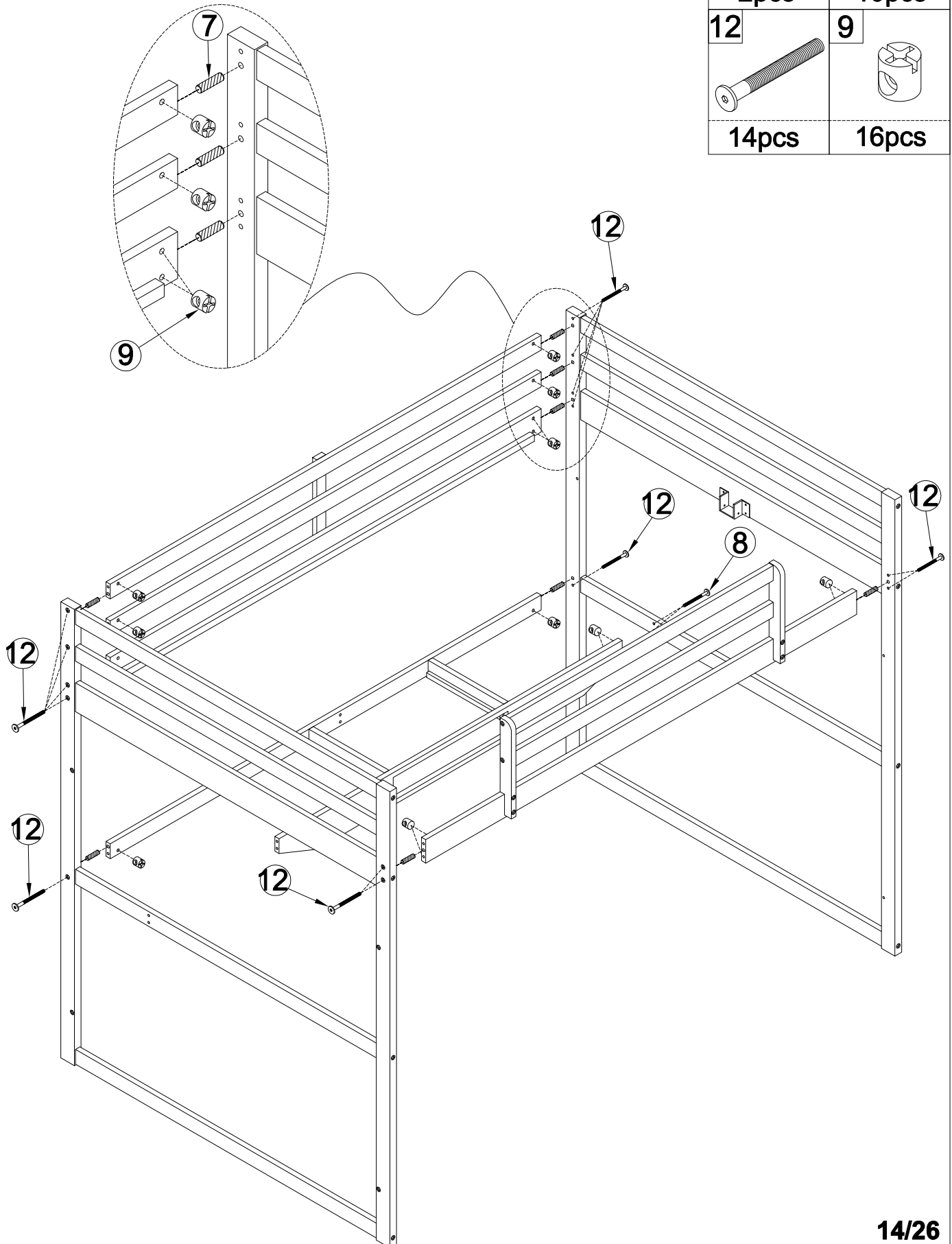
Using hardware #11 connect A3,A4 Legs with B1(x3),B2,B4 Wood Bars

Look at detail view for more detail

STEP 6: Following below illustration:

Using hardware #8,#9,#12 and dowel #7 to Assembly Frame (completed on step 5) With Frame (completed on step 3,step 4.2,step 2)

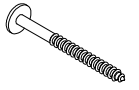
8	7
2pcs	10pcs
12	9
14pcs	16pcs



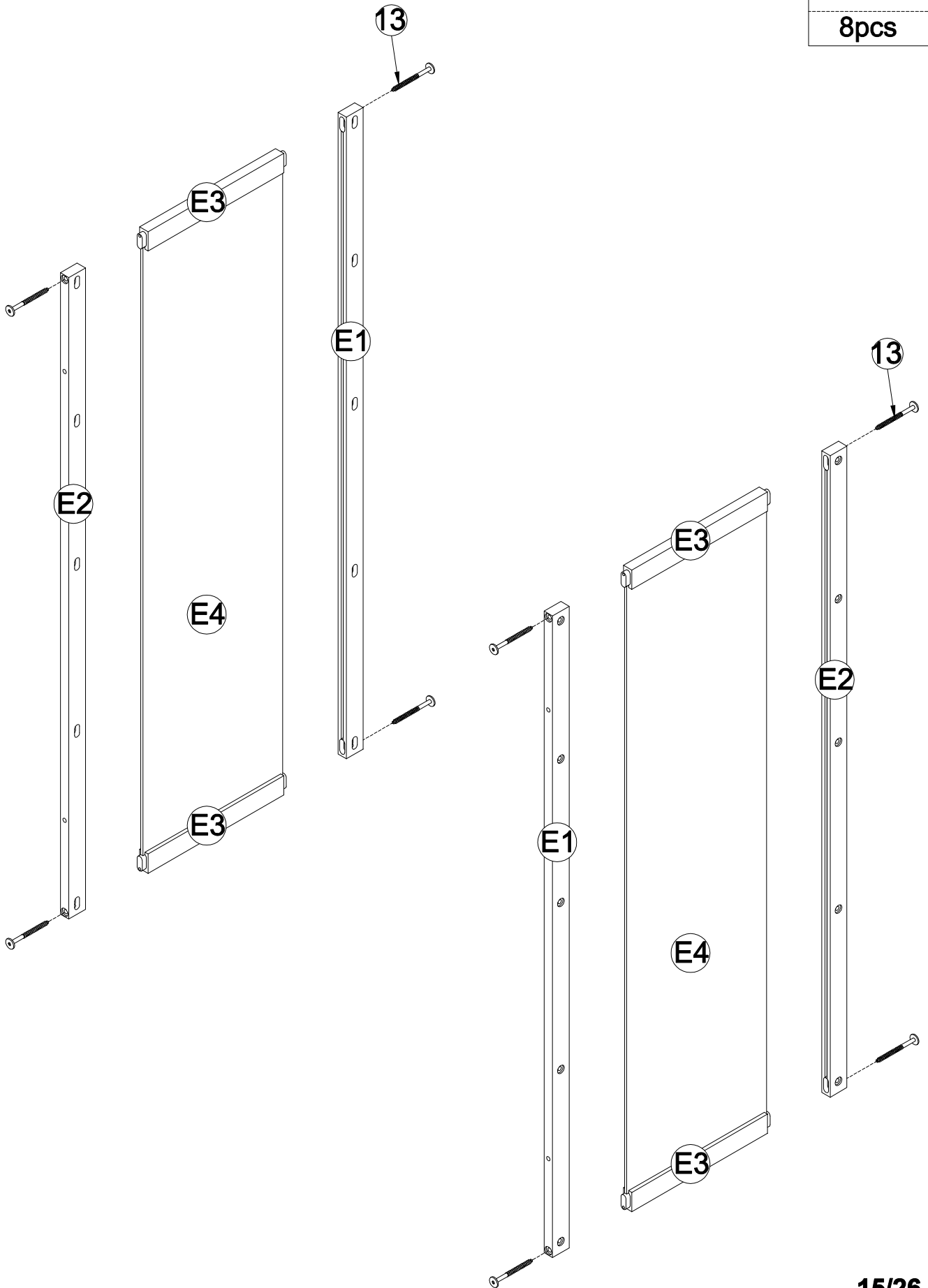
STEP 7: Following below illustration. .

Using hardware #13 connect E1,E2 Wood Bars with E3(x2) Wood Bars and Panel E4
Look at detail view for more detail

13



8pcs



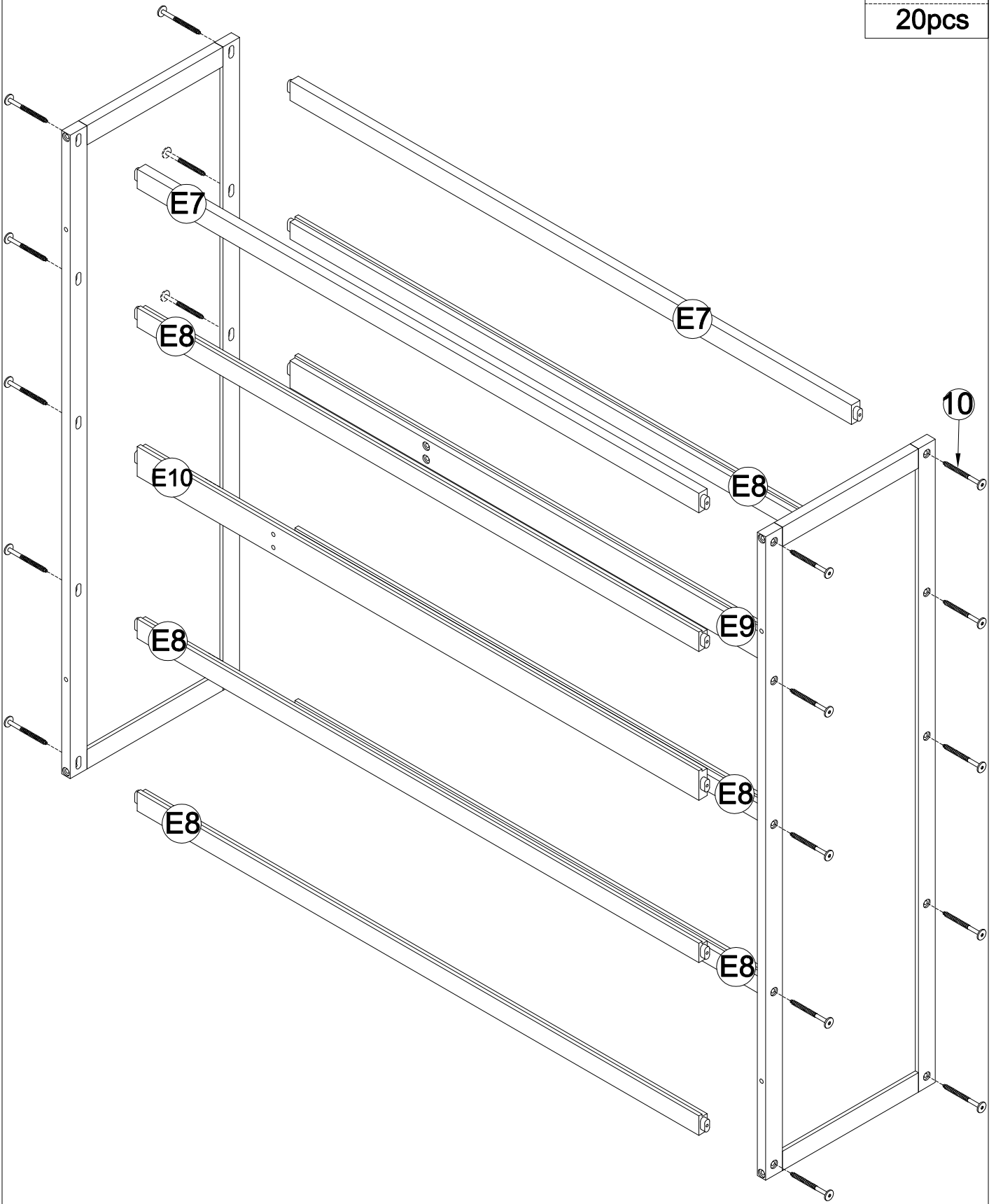
STEP 8: Following below illustration. .

Using hardware #10 connect E7(x2),E8(x6),E9,E10 Wood Bars with Frame(Completed on step 7)
Look at detail view for more detail

10

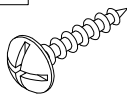



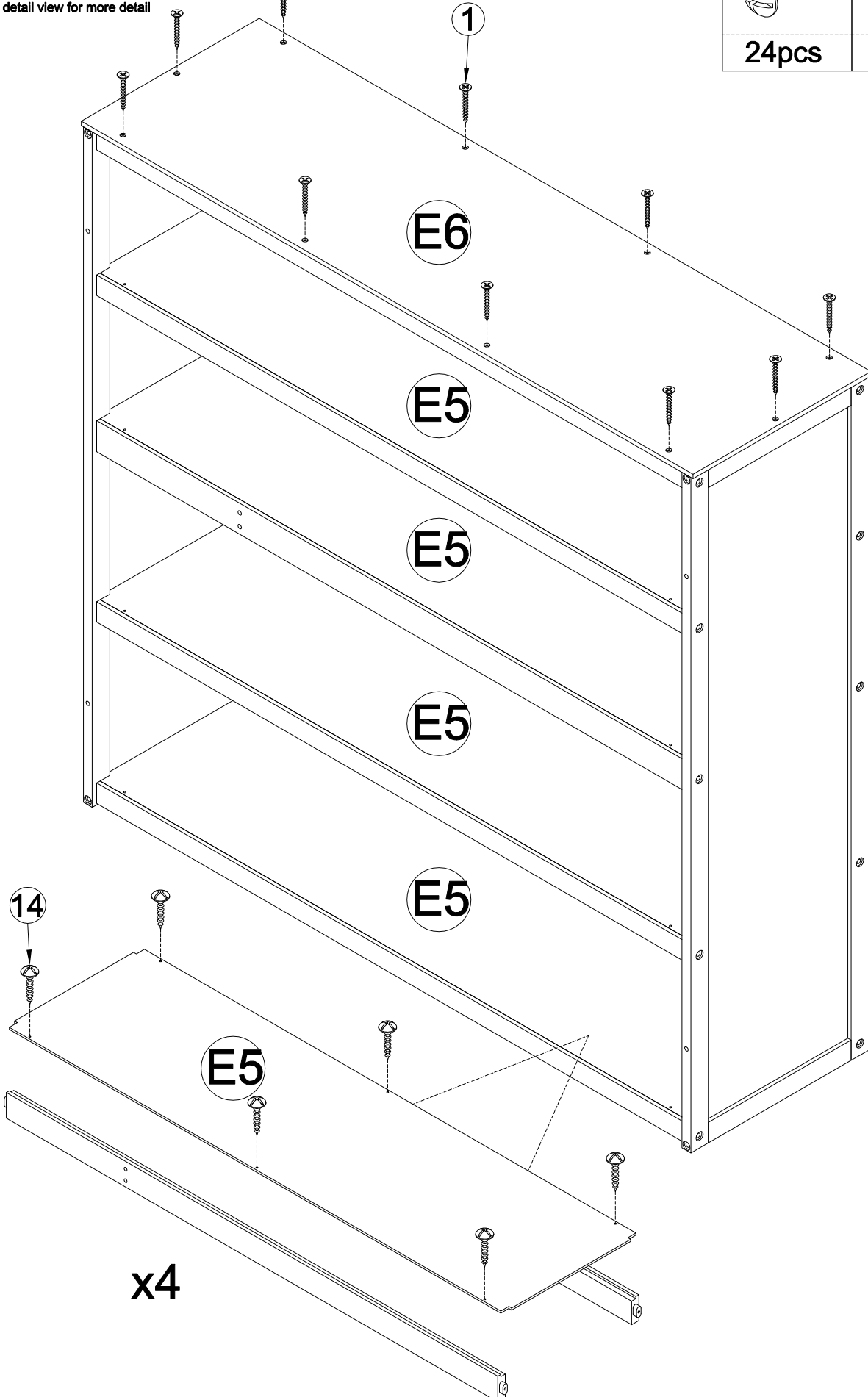
20pcs



STEP 9: Following below illustration . .

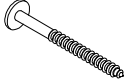
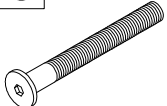

Using hardware #14,#1 connect E6,E5(x4) Panels with Frame(Completed on step 8)
Look at detail view for more detail

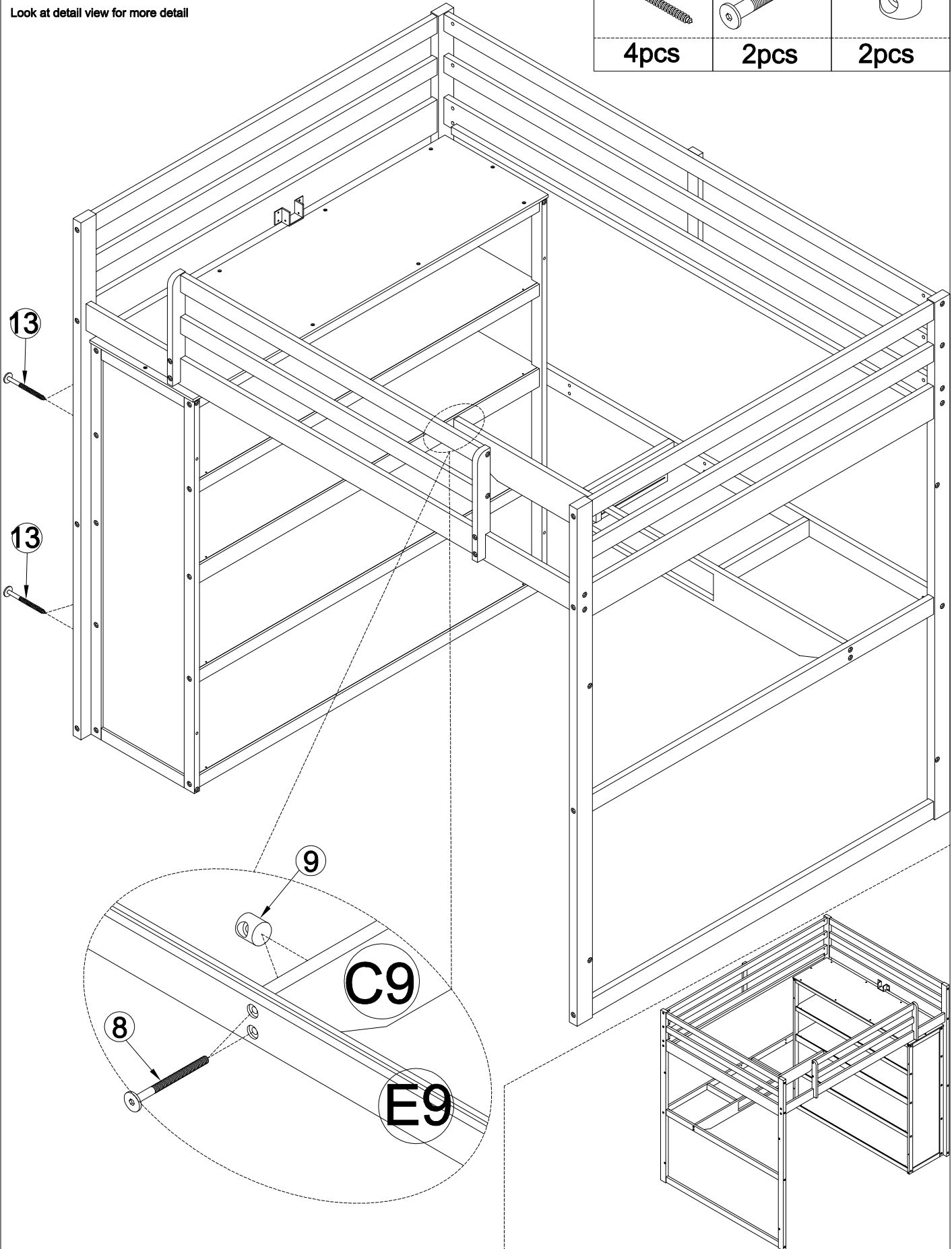
14 	1 
24pcs	10pcs



STEP 10: Following below illustration. .

Using hardware #8,#9,#13 connect Frame(Completed on step 6) with Frame(Completed on step 9)
Look at detail view for more detail

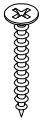
13	8	9
		
4pcs	2pcs	2pcs



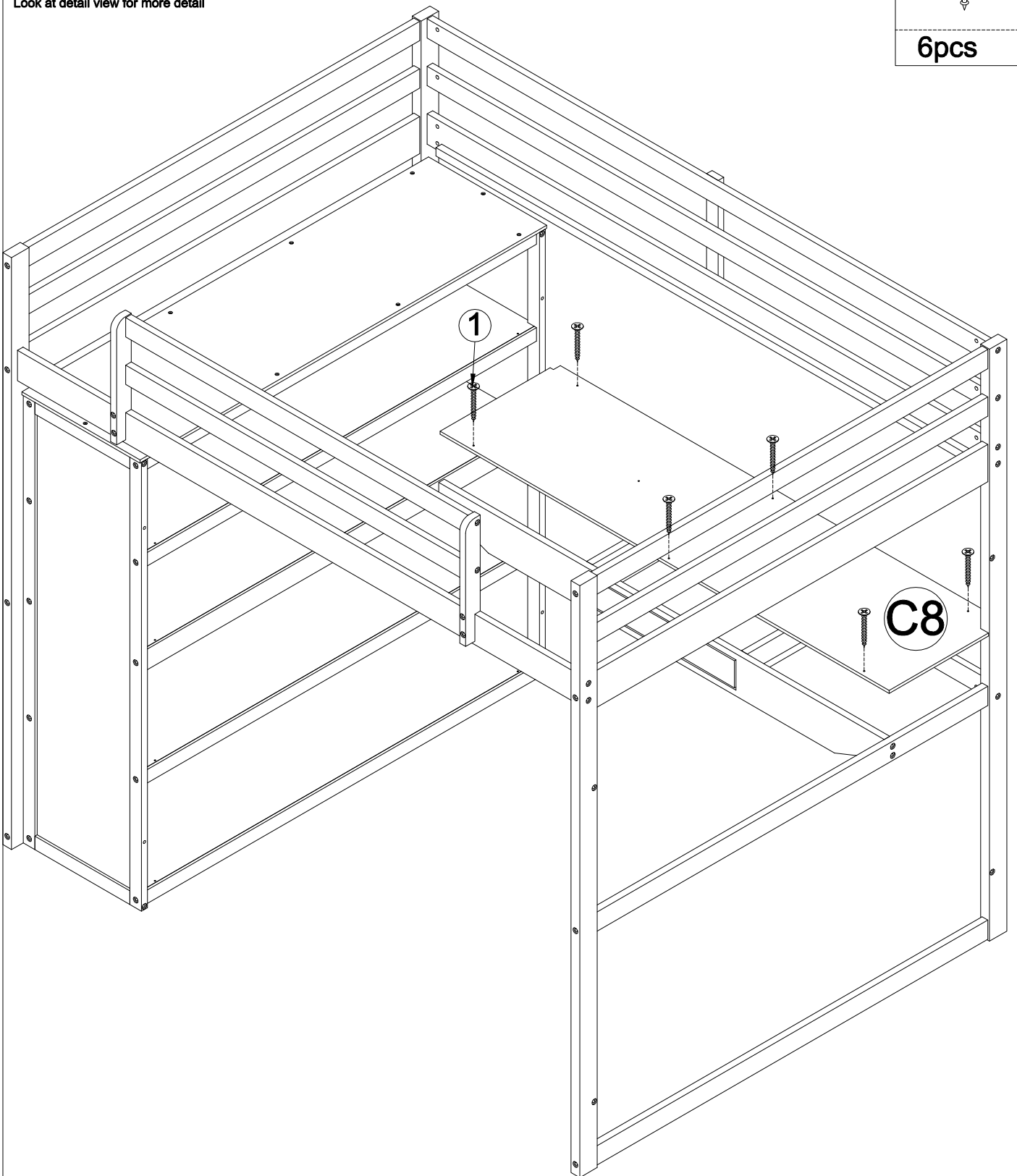
STEP 11: Following below illustration. .

Using hardware #1 connect Frame(Completed on step 10) with C8 Panel
Look at detail view for more detail

1



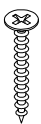
6pcs

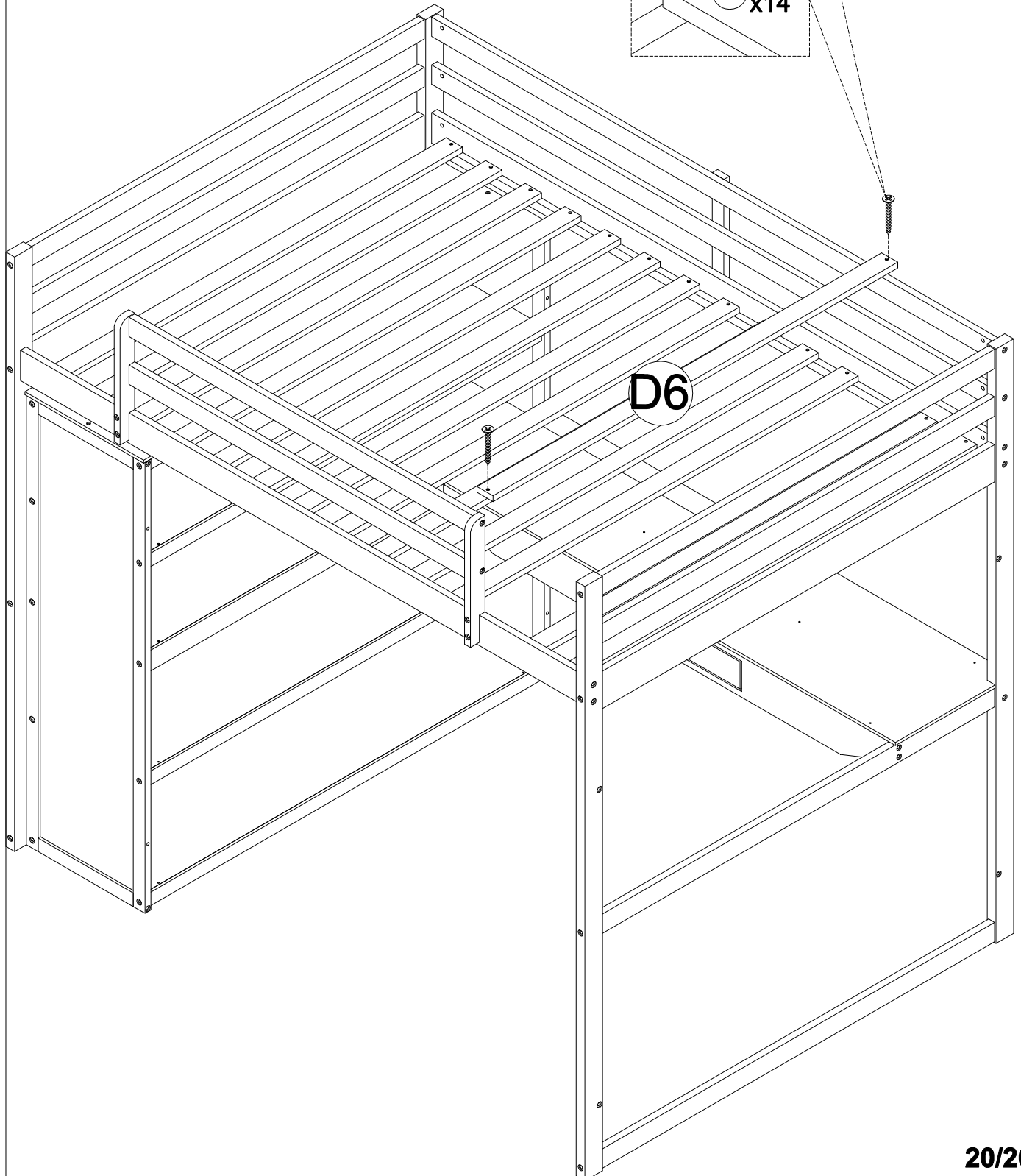
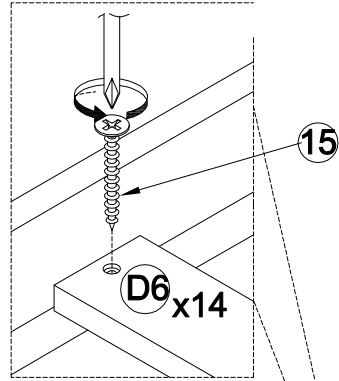


STEP 12: Following below illustration:

-Assembly 14 slats (D6) using hardware #15.

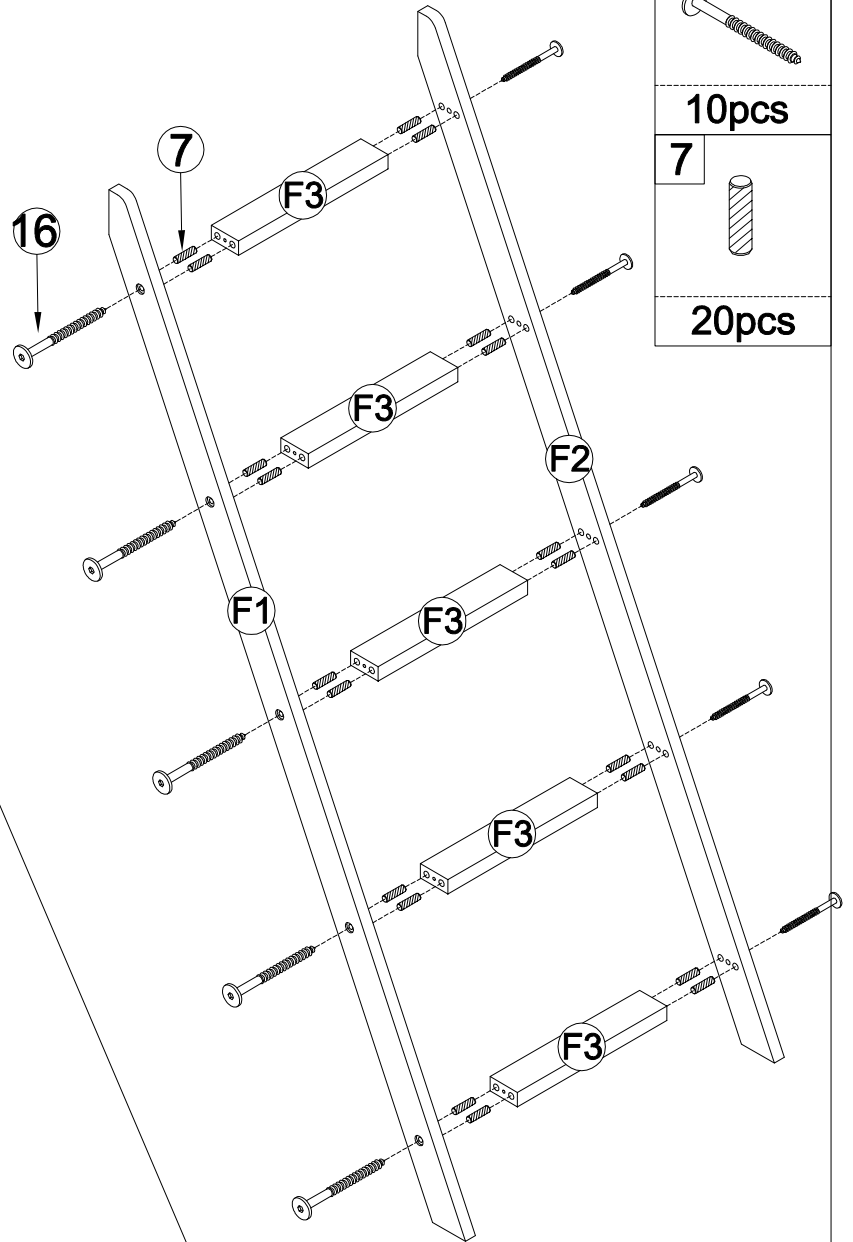
-Look at detail view

15	
28pcs	

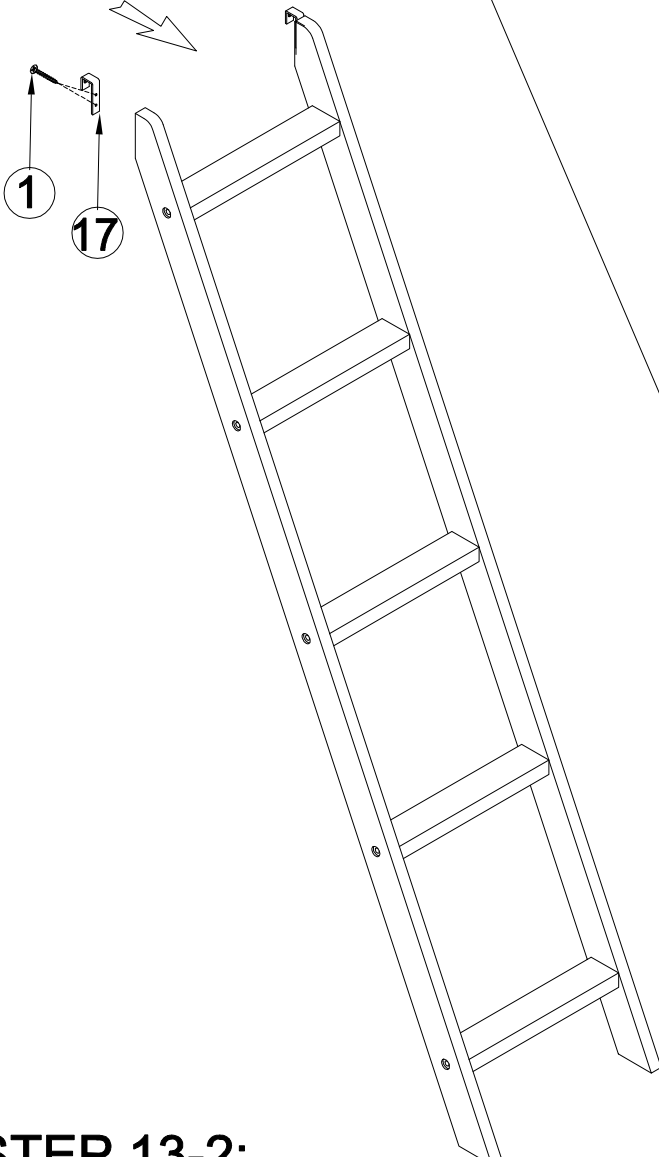


STEP 13-1: Following below illustration Using hardward #16, Dowel 7 to Assembly Ladder.

Look at detail view for more detail



16	
10pcs	
7	
20pcs	



1	
4pcs	
17	
2pcs	

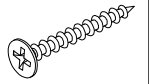
STEP 13-2: Following below illustration

- Using hardward #1 connect Steel Bracket (#17) with Frame(completed on step13-1)
- Look at detail view for more detail

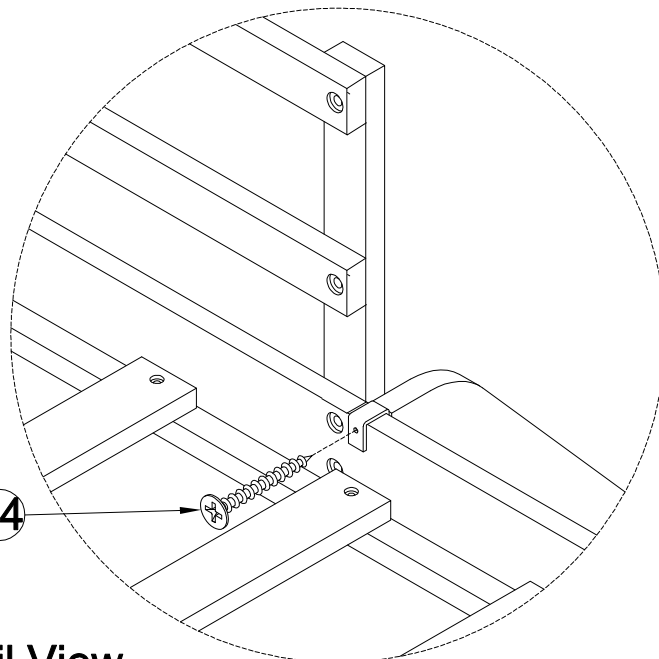
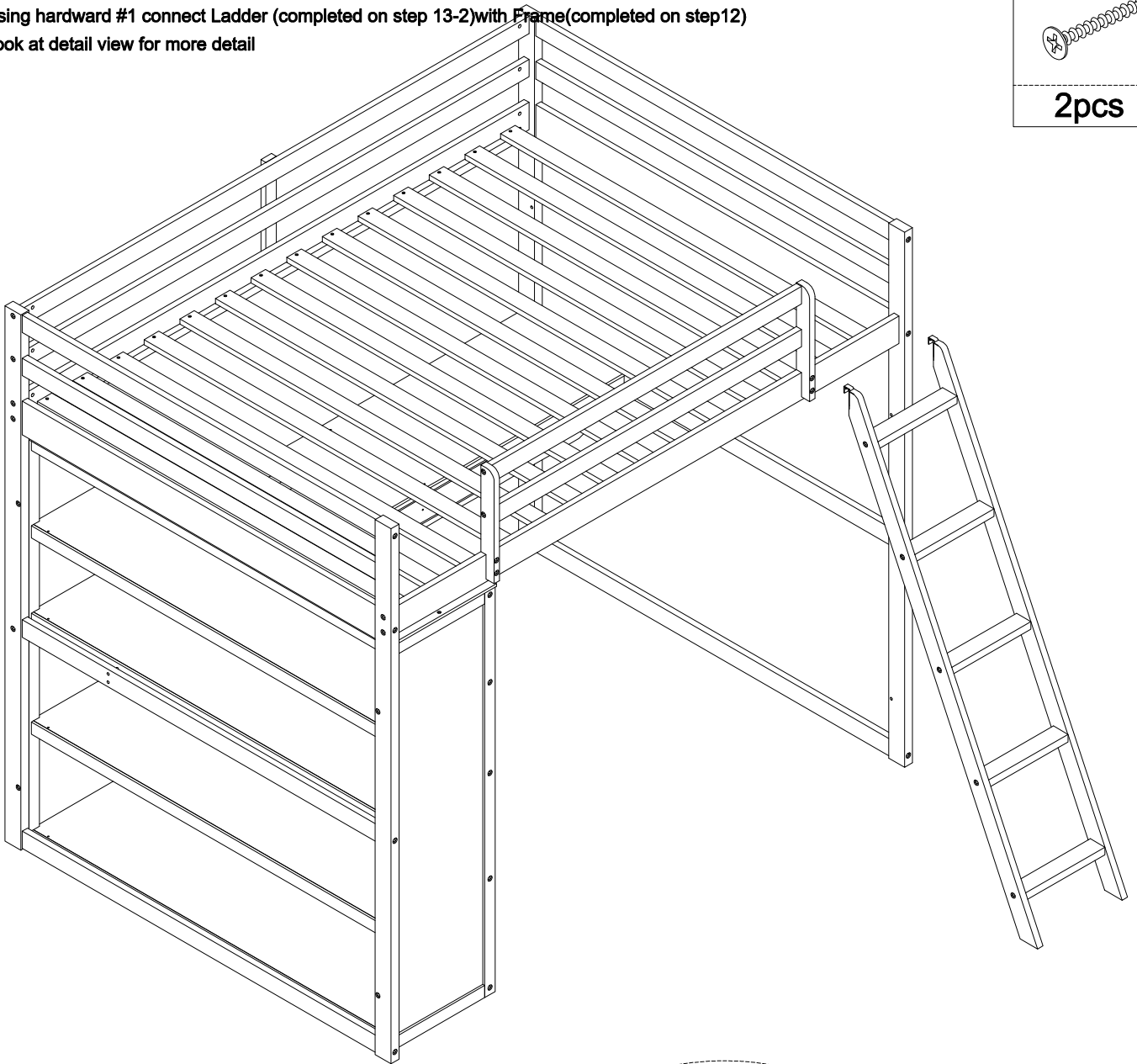
STEP 14: Following below illustration

- Using hardware #1 connect Ladder (completed on step 13-2) with Frame (completed on step 12)
- Look at detail view for more detail

1

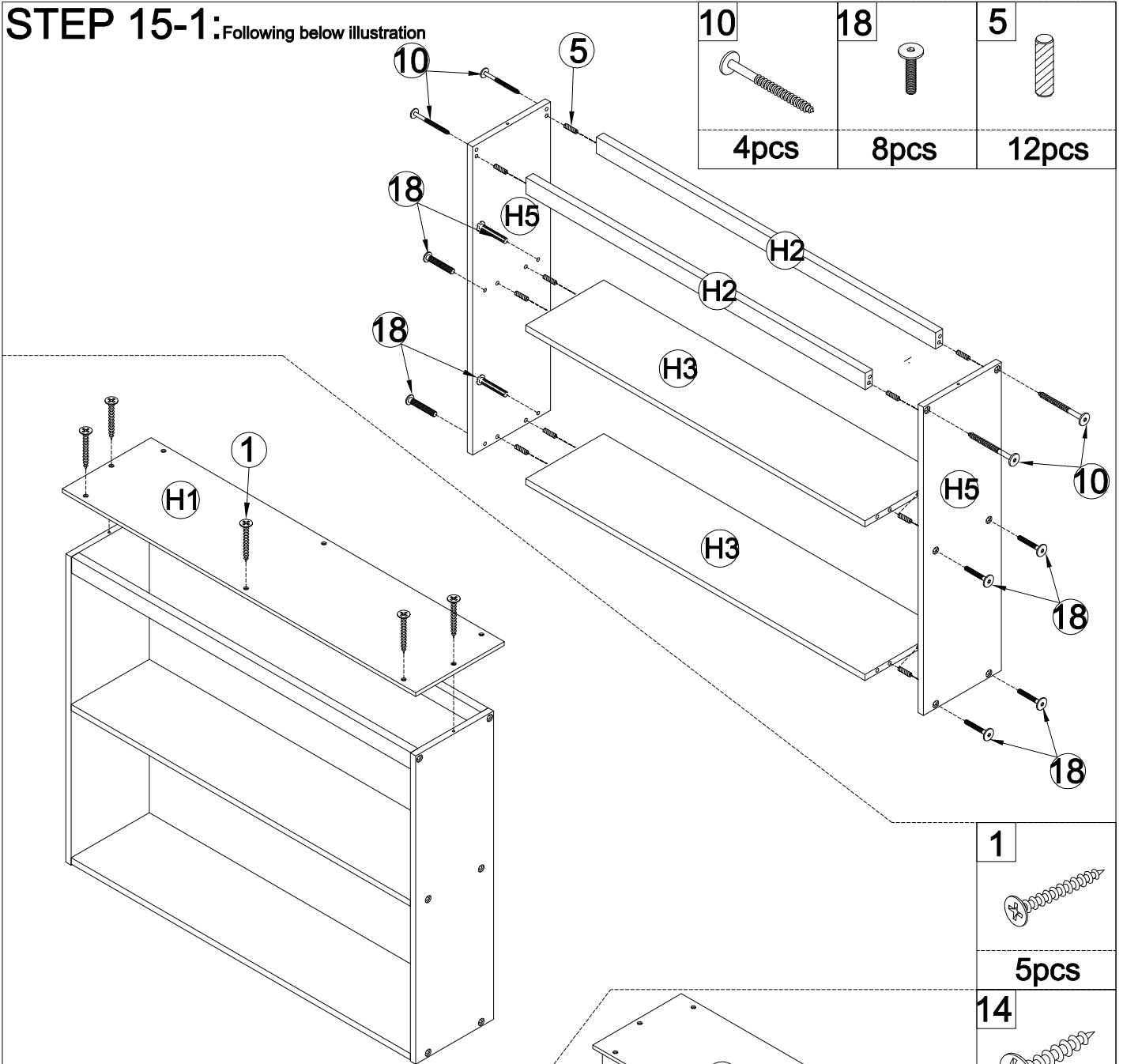


2pcs

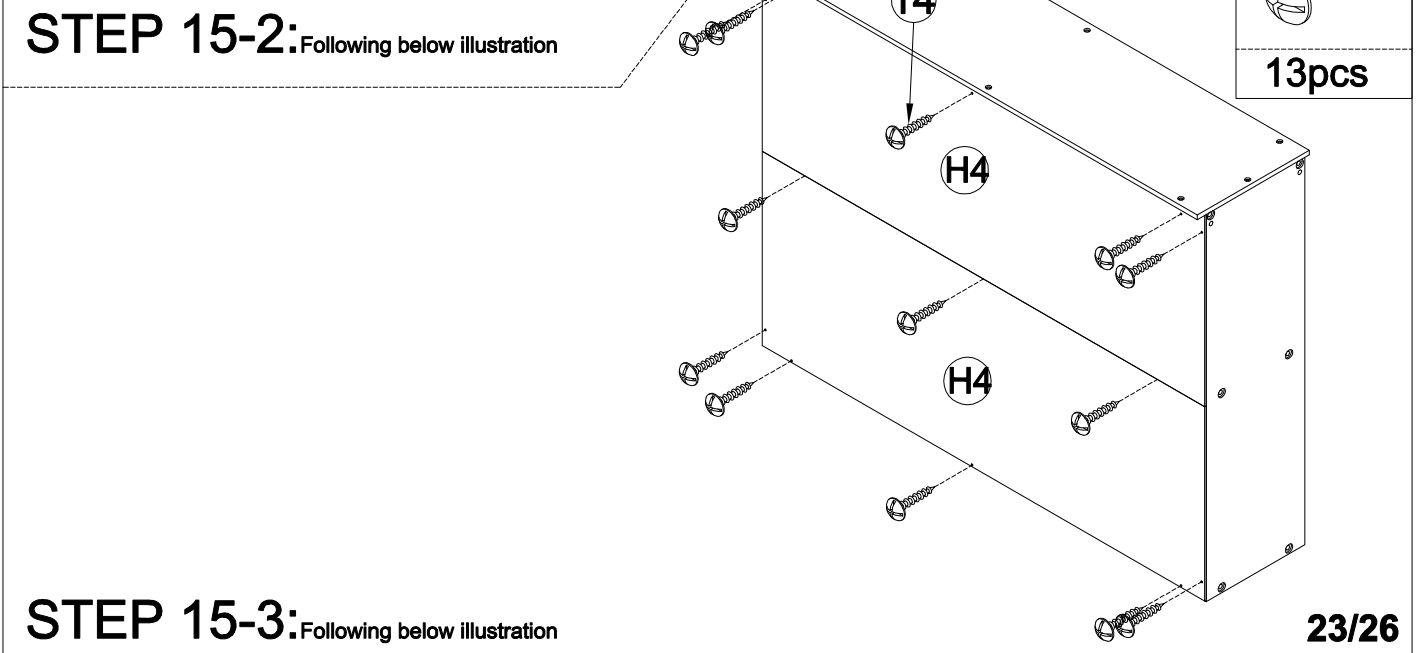


Inside Side Rail View

STEP 15-1: Following below illustration



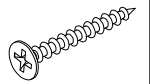
STEP 15-2: Following below illustration



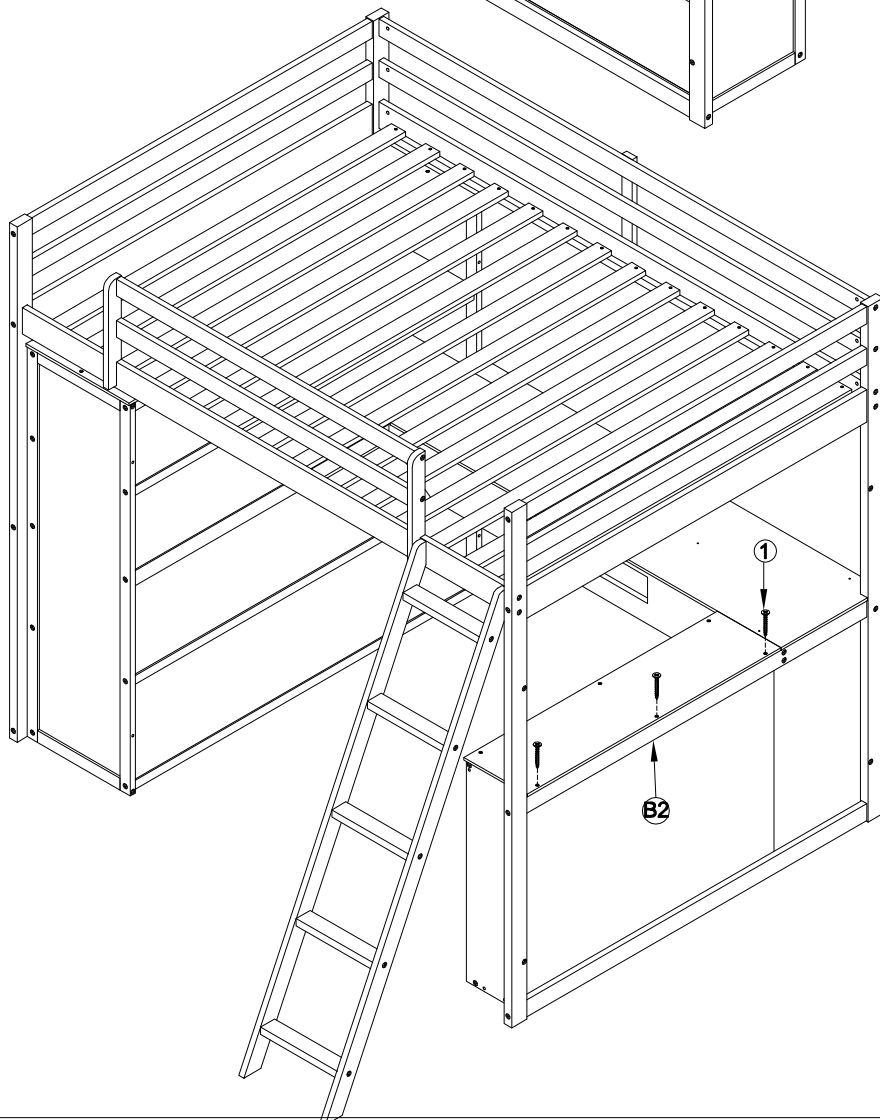
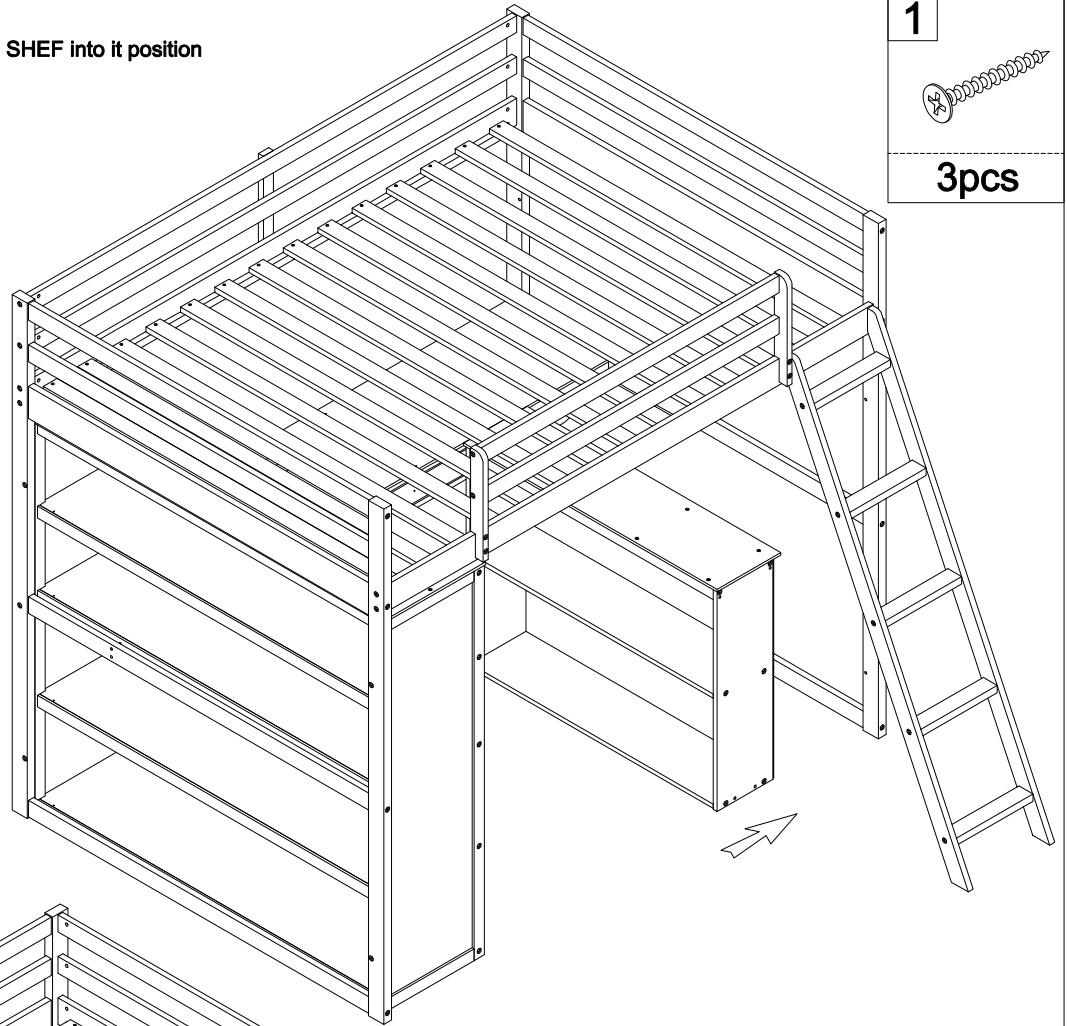
STEP 15-3: Following below illustration

STEP 16: Push 1 SHEF into it position

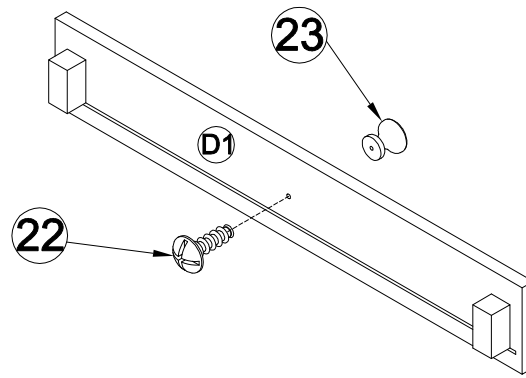
1



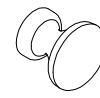
3pcs



STEP 17-1:



23



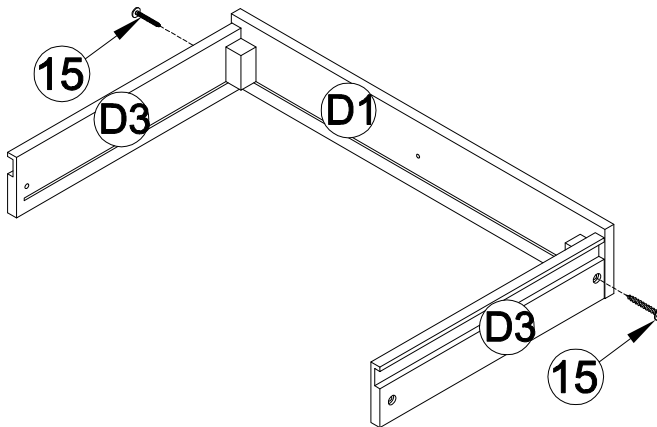
1pc

22

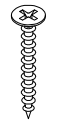


1pc

STEP 17-2:

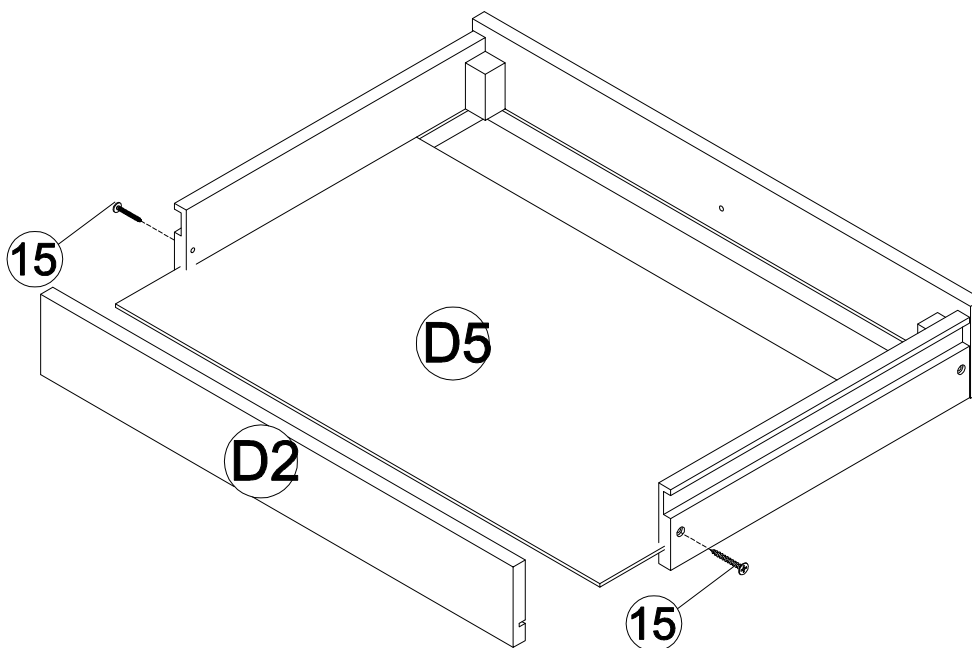


15



2pcs

STEP 17-3:



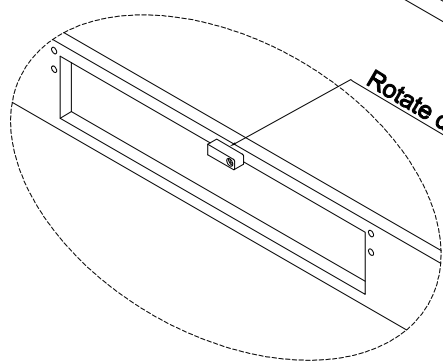
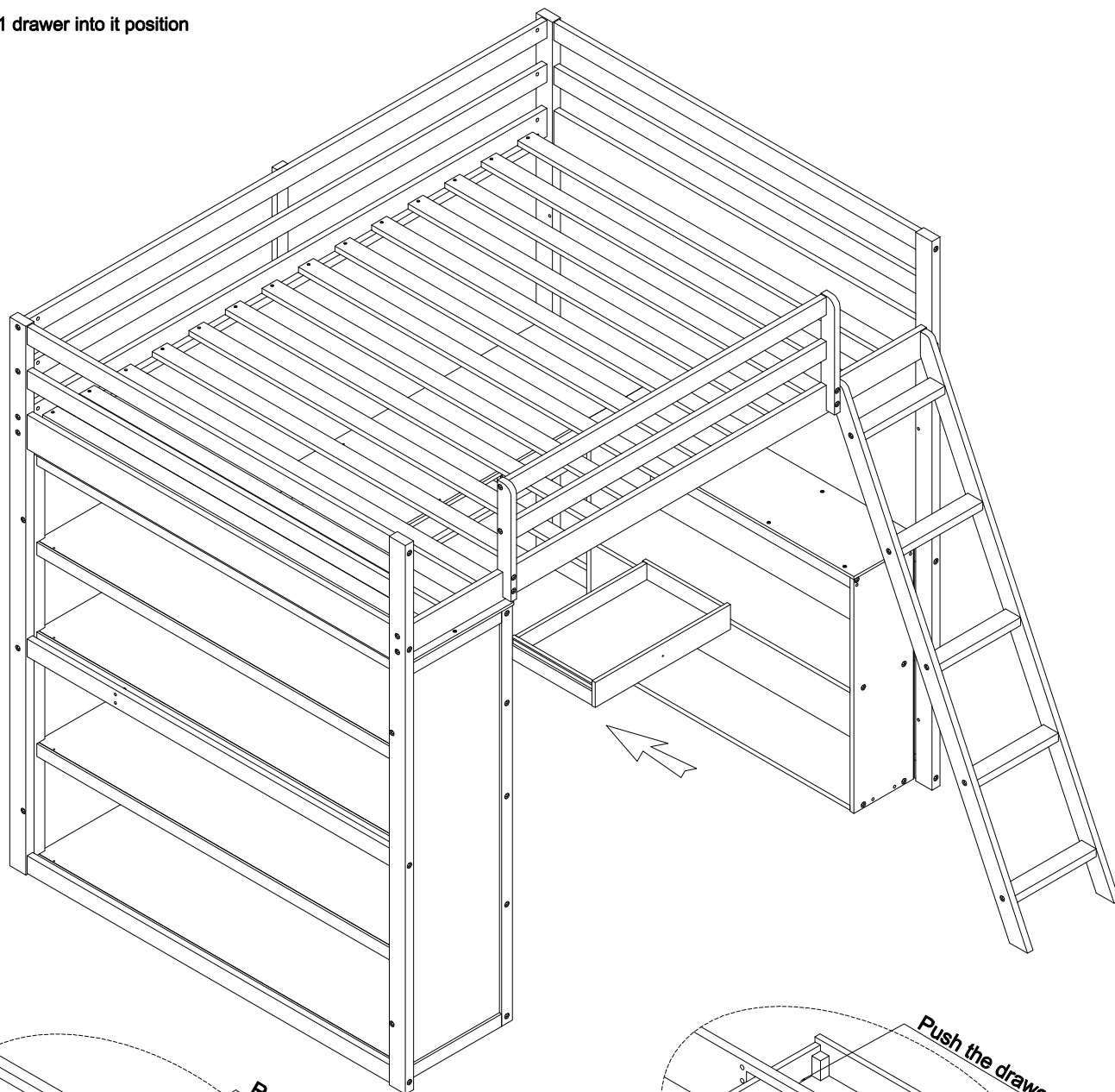
15



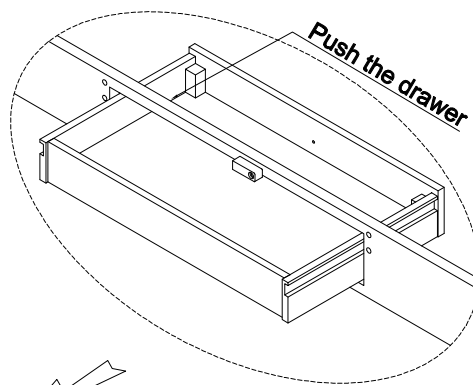
2pcs

STEP 18: CONGRARULATION. YOU HAVE COMPLETED THE BED.

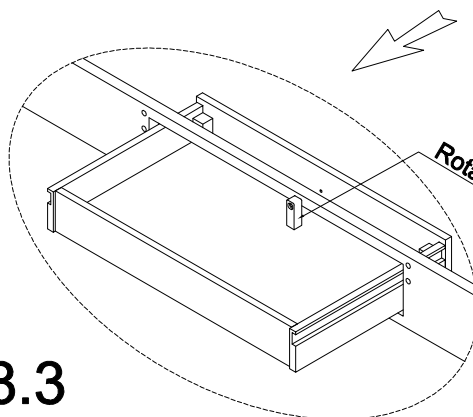
Push 1 drawer into it position



STEP 18.1



STEP 18.2



STEP 18.3