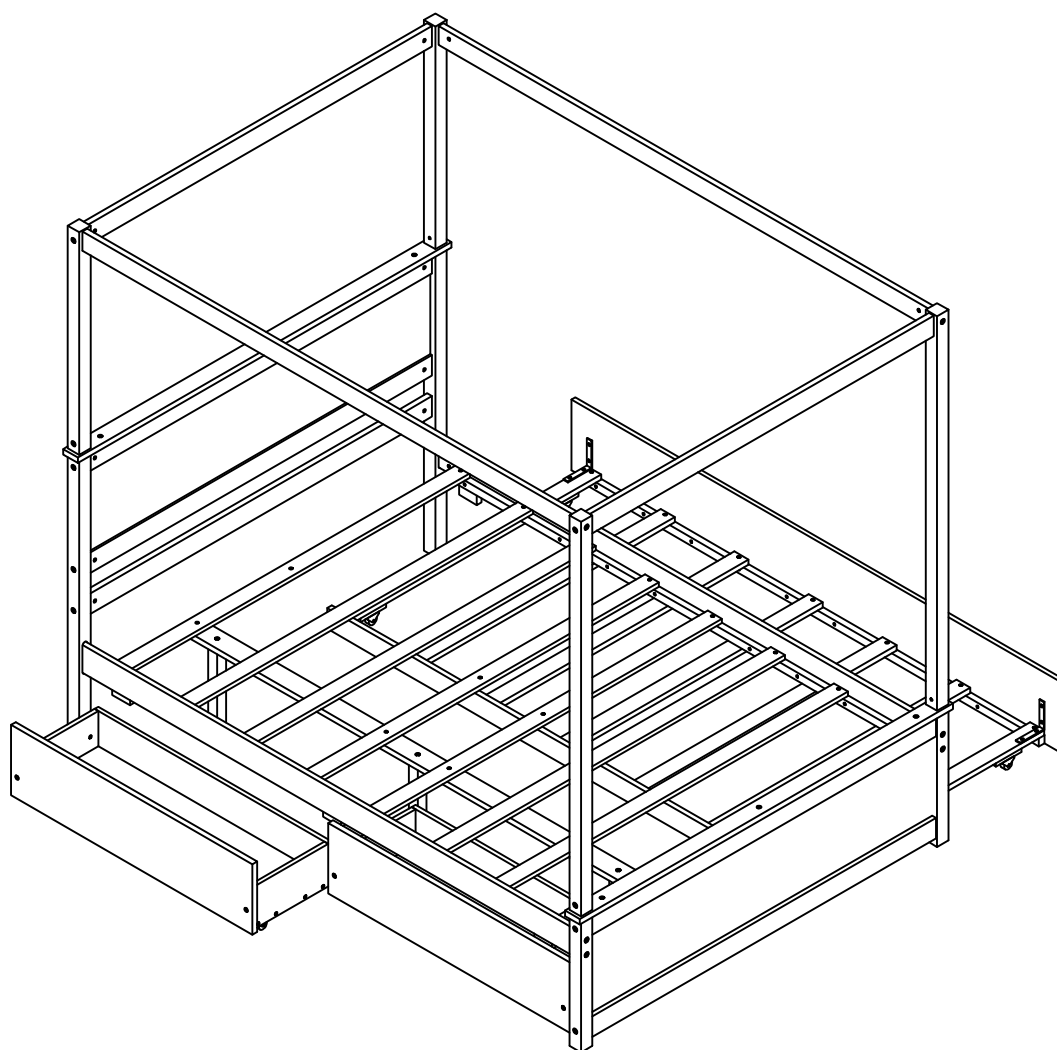


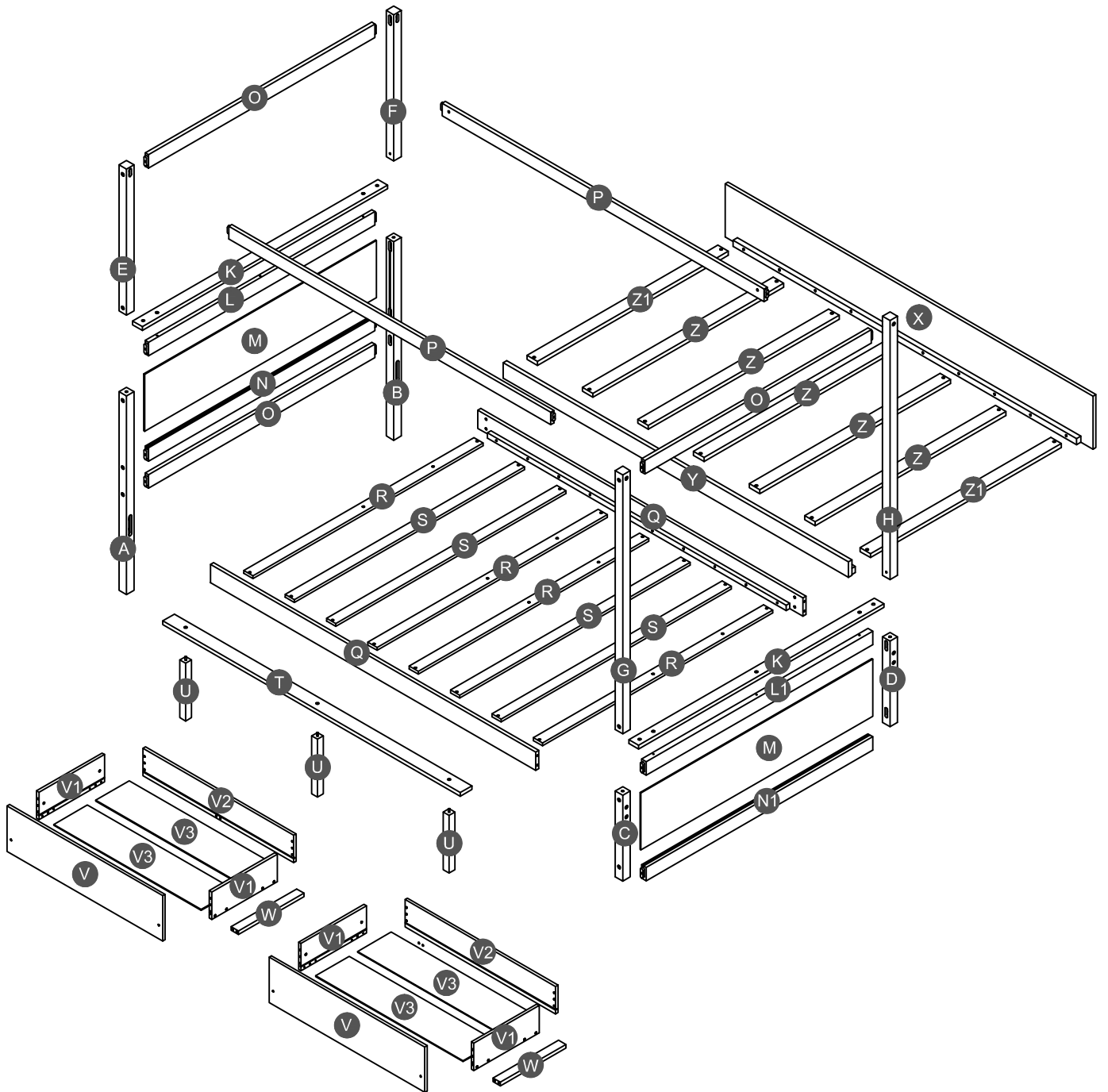
ASSEMBLY INSTRUCTIONS

FULL BED WITH 2 DRAWERS AND TRUNDLE



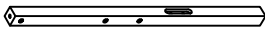
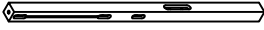
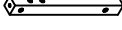
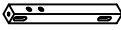
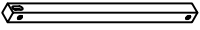
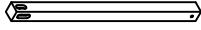
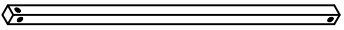
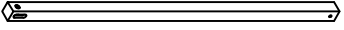

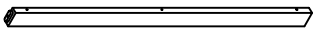
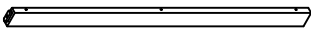
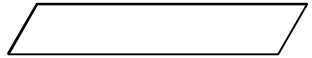
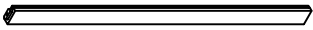
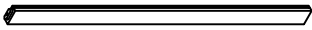

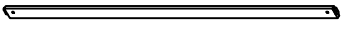
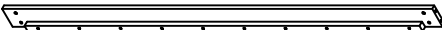

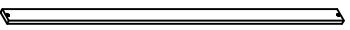

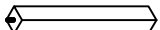
WF303307/WF303308

Detail View

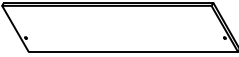
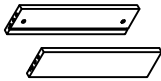

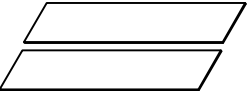
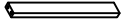






Part List

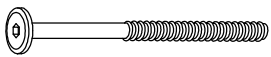
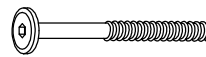
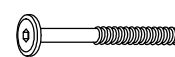



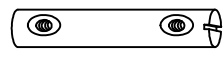


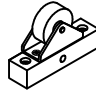
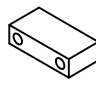
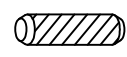
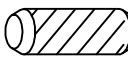
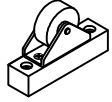
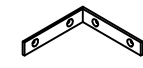

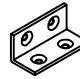
Hardware List WF303307

A  Lower leg left front - 1pc	B  Lower leg left back - 1pc	C  Lower leg right front - 1pc
D  Lower leg right back - 1pc	E  Upper leg left front - 1pc	F  Upper leg left back - 1pc
G  Upper leg right front - 1pc	H  Upper leg right back - 1pc	K  Cap for lower HB&FB - 2pcs
L  Horizontal bar HB - 1pc	L1  Horizontal bar FB - 1pc	M  Lower side panel HB-FB - 2pcs
N  Horizontal bar HB- 1pc	N1  Horizontal bar FB- 1pc	O  Horizontal bar - 3pcs
P  Upper horizontal bar - 2pcs	Q  Side rail - 2pcs	R  Slats - 4pcs
S  Slats - 4pcs	T  Lower support slat - 1pc	U  Leg support - 3pcs

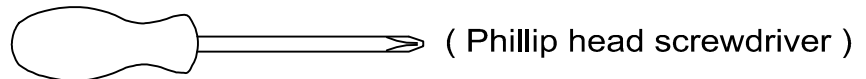
WF303308

V  Front drawer panel - 2pcs	V1  Left / right drawer panel - 4pcs	V2  Back drawer panel - 2pcs
V3  Drawer bottom - 4pcs	W  Support drawer - 2pcs	X  Front panel side rail of trundle - 1pc
Y  Back panel side rail of trundle - 1pc	Z  Trundle Slats - 5pcs	Z1  Trundle Slats - 2pcs

Hardware List WF303307

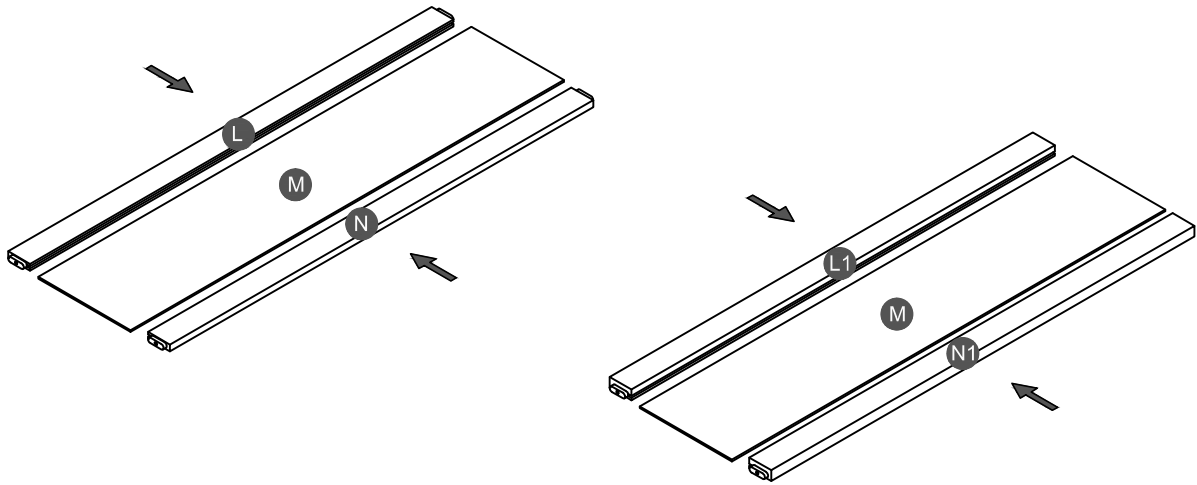
<p>1</p>  <p>(Ø15)1/4"*100mm</p> <p>Hex-Head bolts (12pcs)</p>	<p>2</p>  <p>(Ø15)1/4"*80mm</p> <p>Hex-Head bolts (14pcs)</p>	<p>3</p>  <p>(Ø12)1/4"*60mm</p> <p>Hex-Head bolts (8pcs)</p>
<p>4</p>  <p>(Ø12)1/4"*30mm</p> <p>Hex-Head bolts (4pcs)</p>	<p>5</p>  <p>1/4"*15 (9.5mm)</p> <p>Horizontal-Hole bolts(34pcs)</p>	<p>6</p>  <p>(Ø12)1/4"*40mm</p> <p>Hex-Head bolts (6pcs)</p>
<p>7</p>  <p>(Ø10)1/4"*95mm</p> <p>Connecting bar (4pcs)</p>	<p>8</p>  <p>Ø4*30mm</p> <p>Wood screws (68pcs)</p>	<p>9</p>  <p>(1/4")4.5*58mm</p> <p>Allen key (1pc)</p>
<p>10</p>  <p>100*20*54mm</p> <p>Wheels (8pcs)</p>	<p>11</p>  <p>70*35*19 mm</p> <p>Drawer+Trundle stopper (5pcs)</p>	<p>12</p>  <p>Ø8*30mm</p> <p>Wood dowel (24pcs)</p>
<p>13</p>  <p>Ø10*20mm</p> <p>Wood dowel (8pcs)</p>	<p>14</p>  <p>100*63*20mm</p> <p>Wheels (4pcs)</p>	<p>15</p>  <p>95*95*18*3mm</p> <p>Metal bracket (2pcs)</p>
<p>16</p>  <p>Ø3.5*15mm</p> <p>Wood screws (16pcs)</p>	<p>17</p>  <p>40*18*18*2mm</p> <p>Metal bracket (2pcs)</p>	

ASSEMBLY TOOLS REQUIRED (NOT INCLUDED)





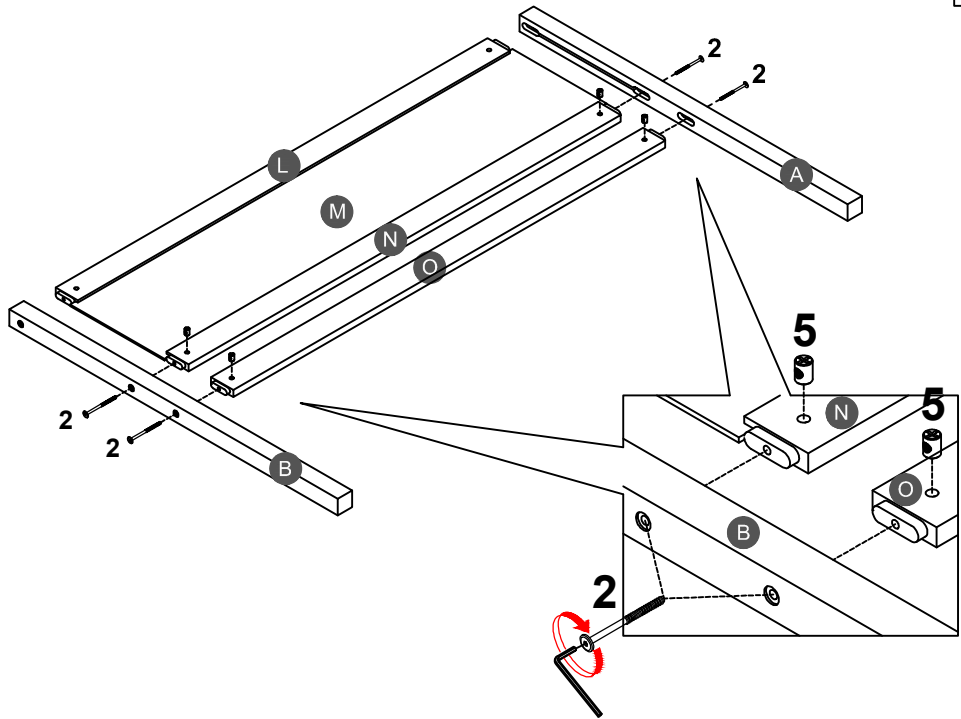
DO NOT USE POWER TOOLS TO ASSEMBLE THIS PRODUCT !

STEP 1:

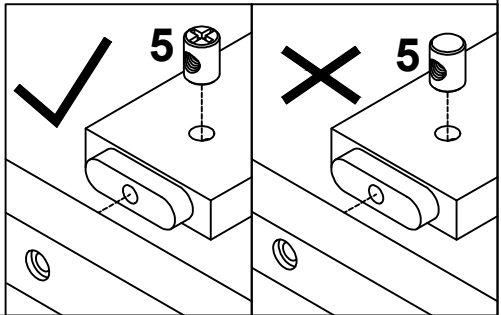


STEP 2:




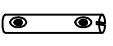
2		5	
4PCS		4PCS	

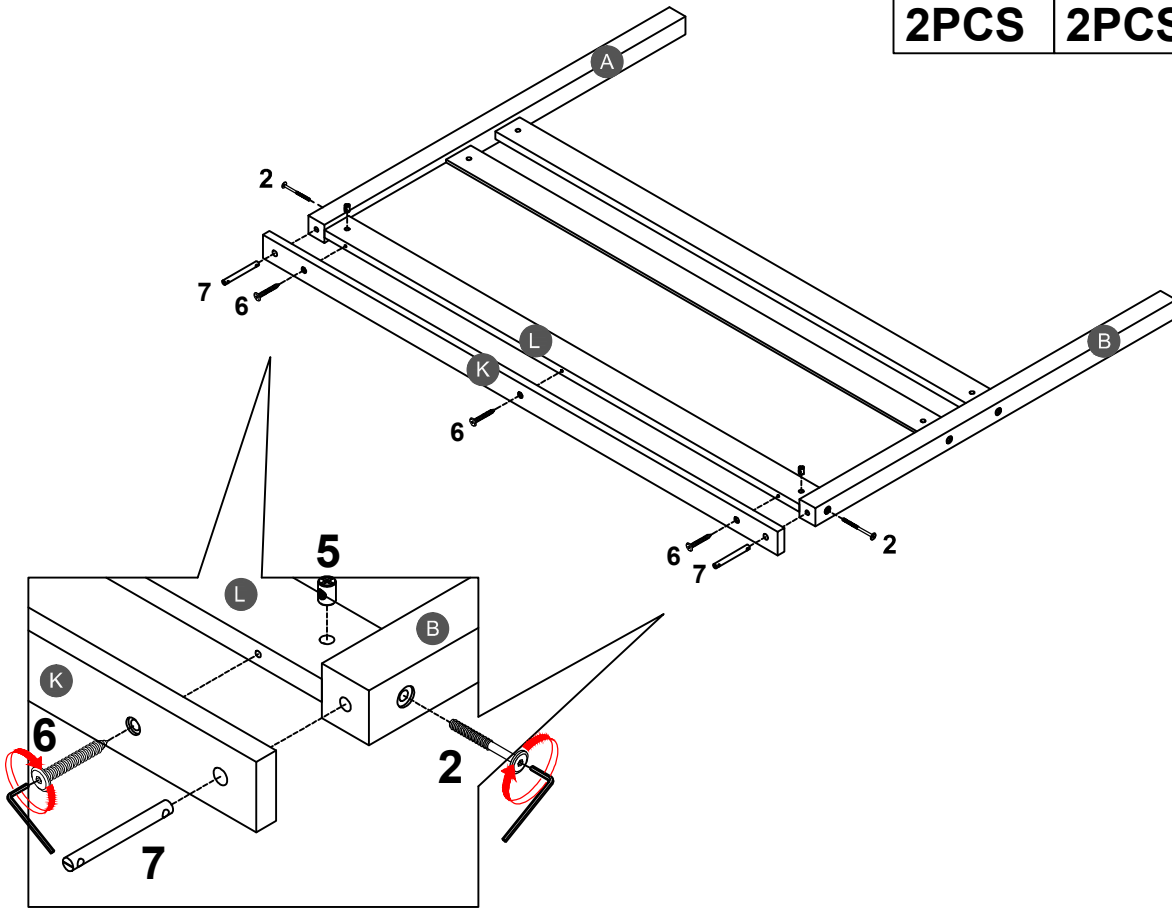


Note: Part 5 will face up with the "x" mark on it, otherwise it cannot be tightened





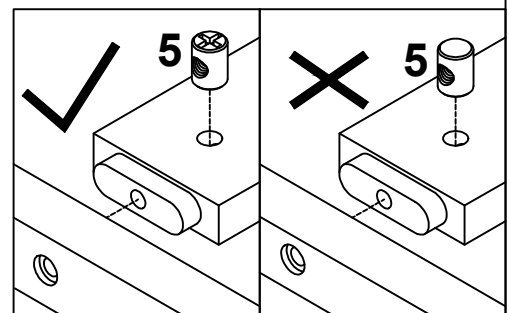
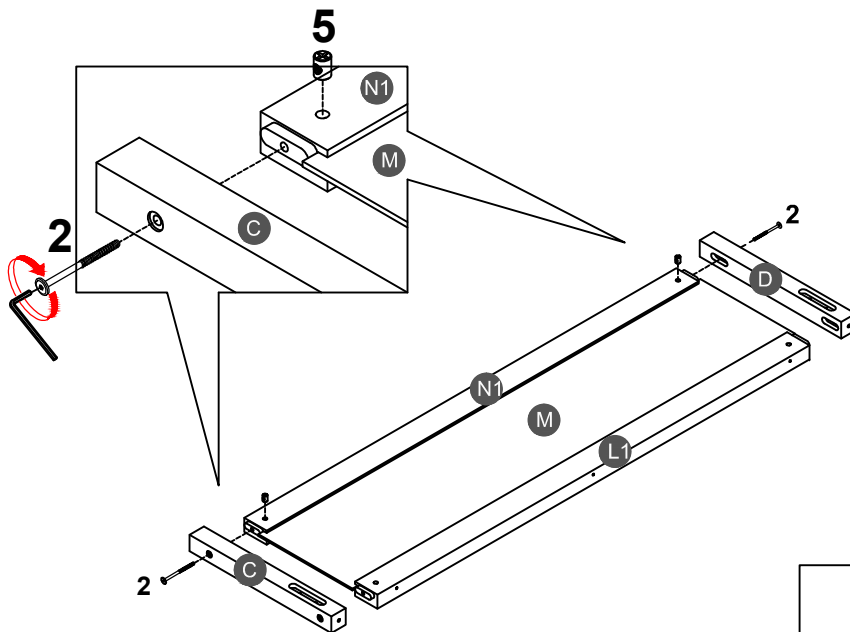
STEP 3:

2		5		6	
2PCS		2PCS		3PCS	
				7	
				2PCS	






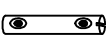
STEP 4:

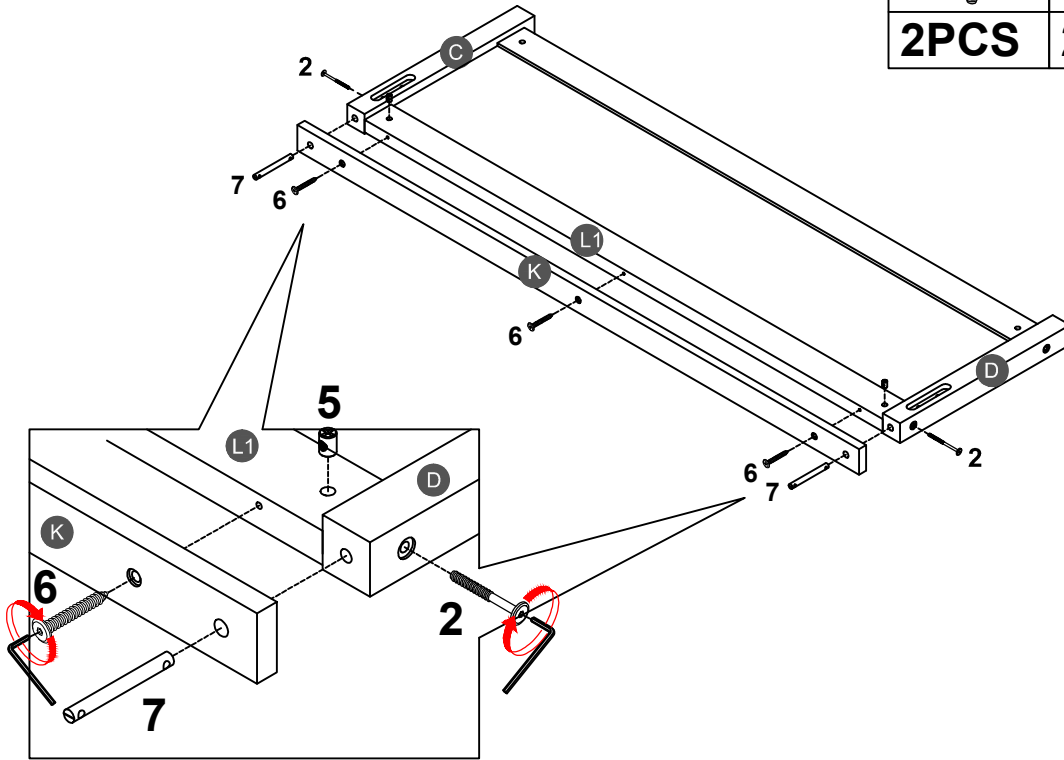
2		5	
2PCS		2PCS	




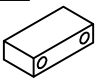
Note: Part 5 will face up with the "x" mark on it, otherwise it cannot be tightened

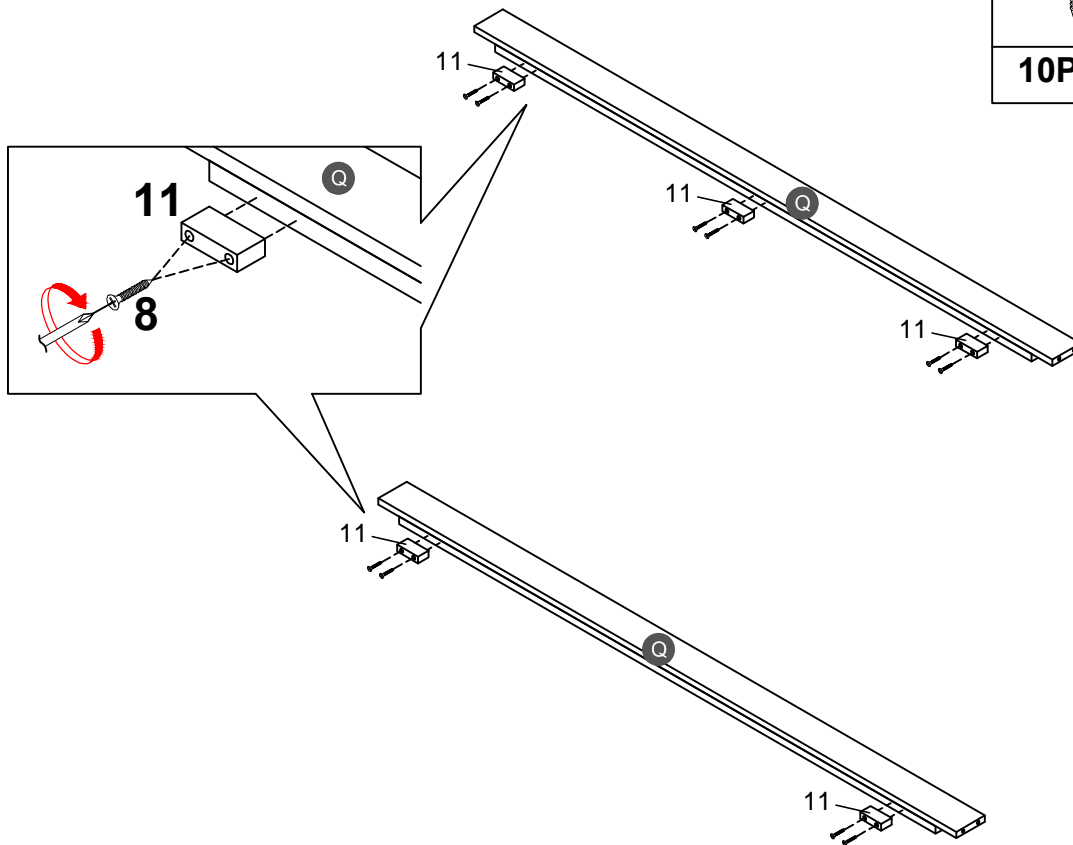
STEP 5:

2		5		6	
2PCS		2PCS		3PCS	
			7		
			2PCS		





STEP 6:

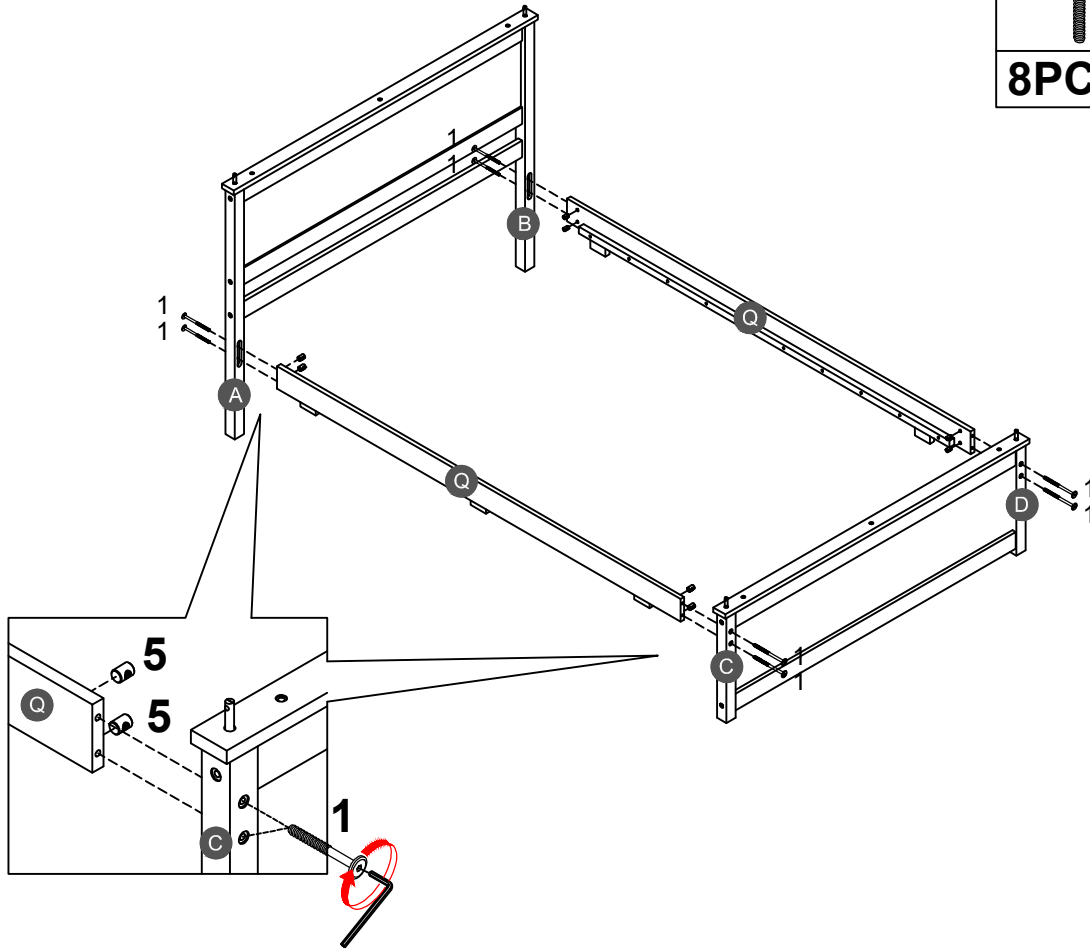
8		11	
10PCS		5PCS	





Drawer stopper (11) with lower side rail front (Q) by using screw (8).

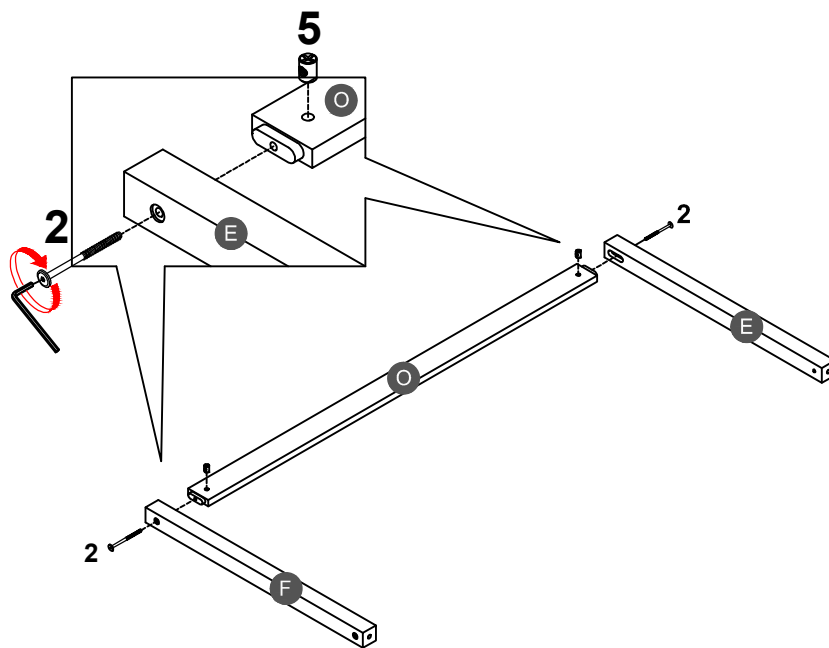
STEP 7:

1		5	
8PCS		8PCS	





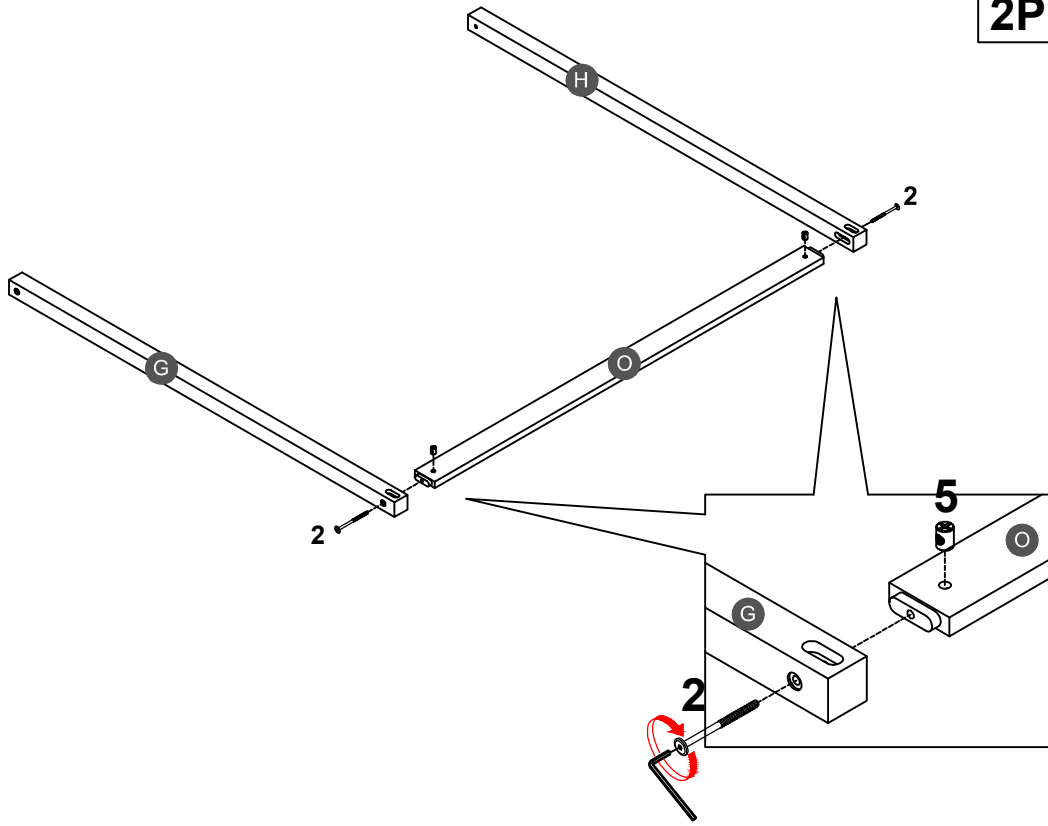
STEP 8:

2		5	
2PCS		2PCS	





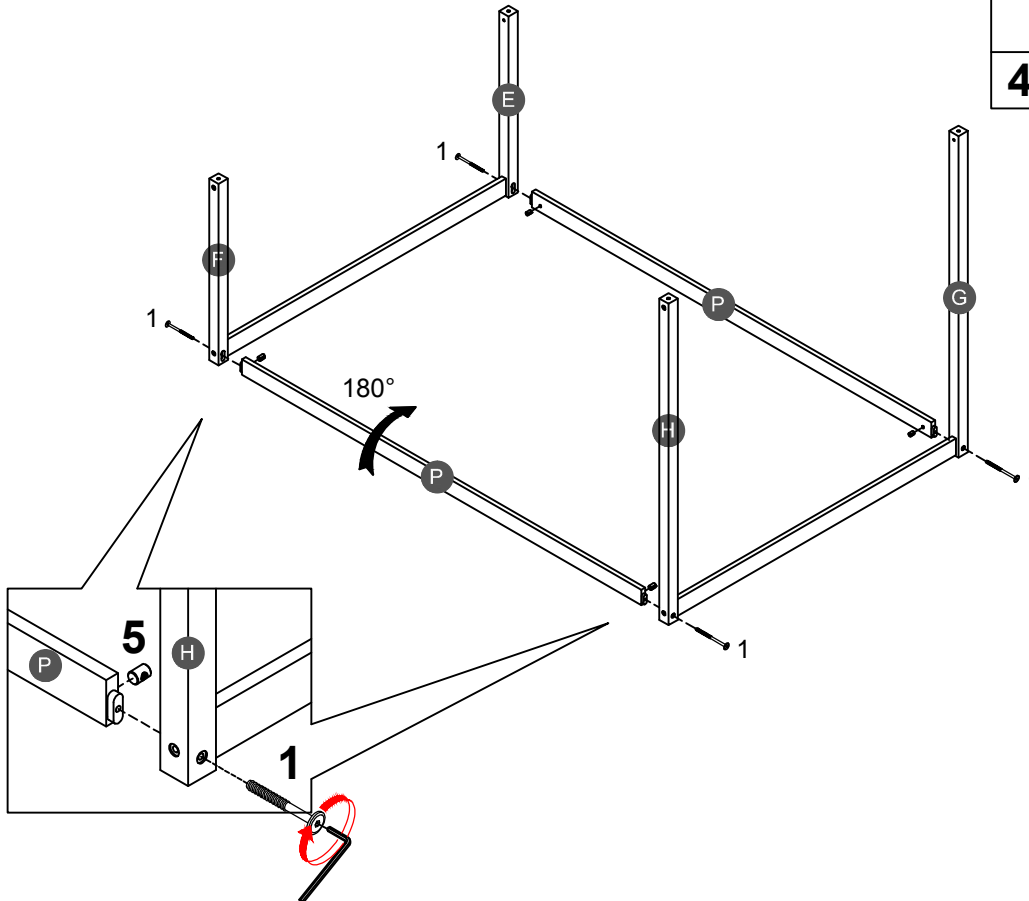
STEP 9:

2		5	
2PCS		2PCS	



STEP 10:

1		5	
4PCS		4PCS	

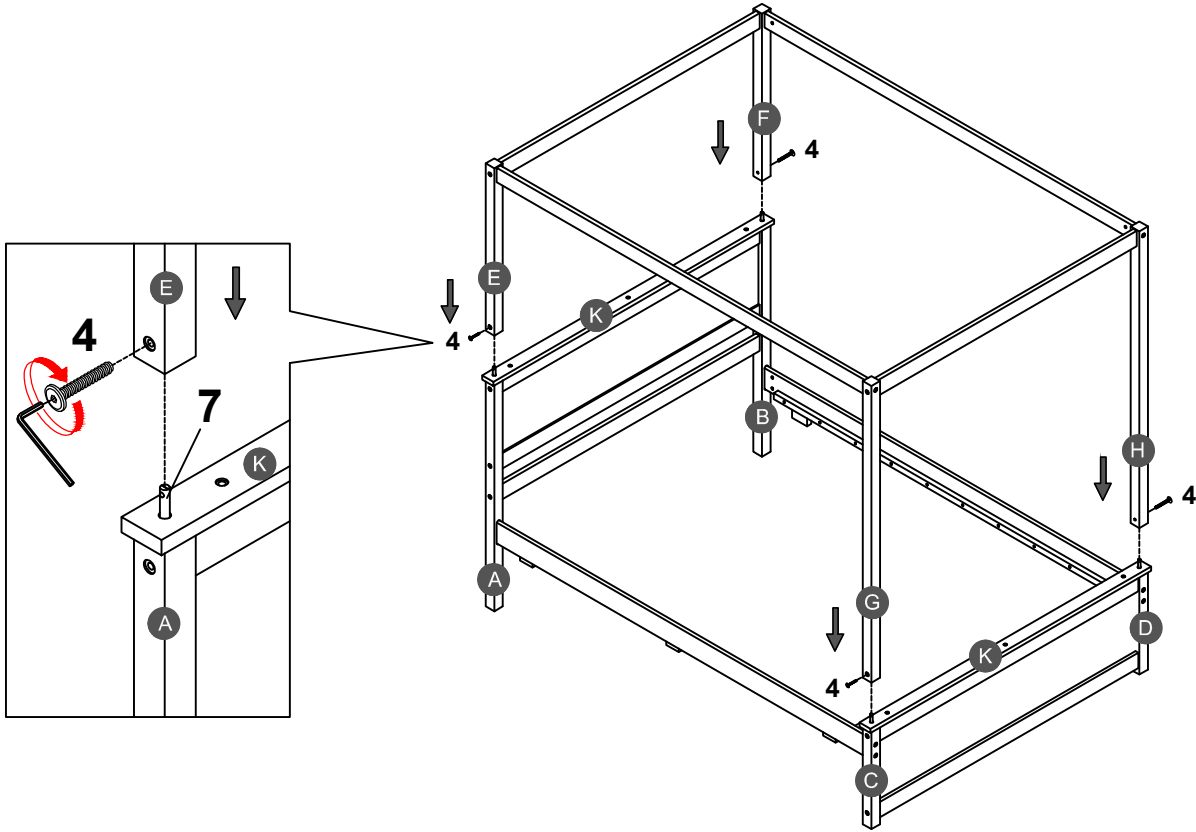


STEP 11:

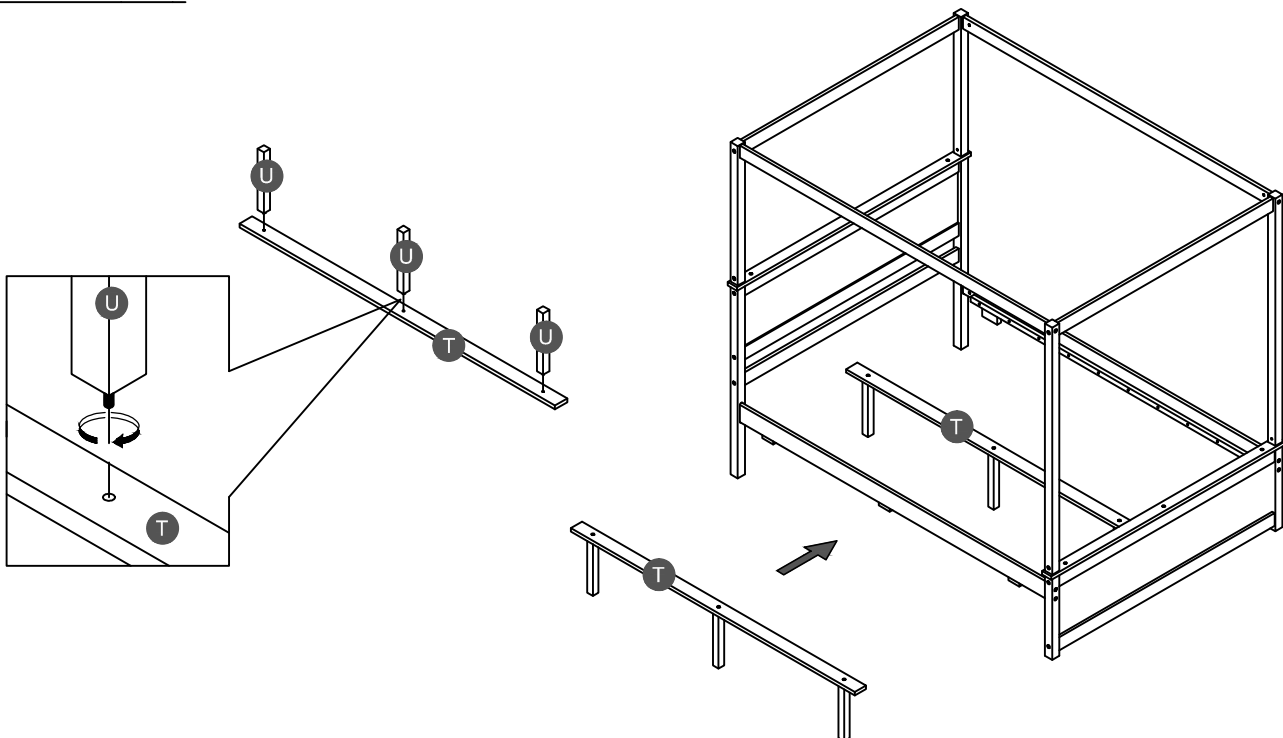
4



4PCS



STEP 12:



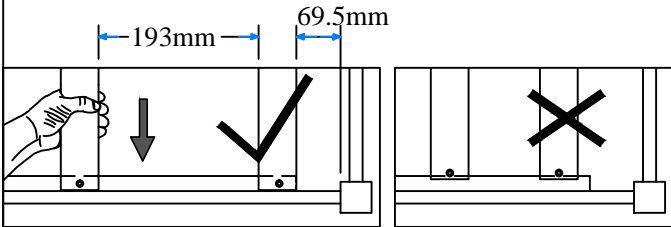
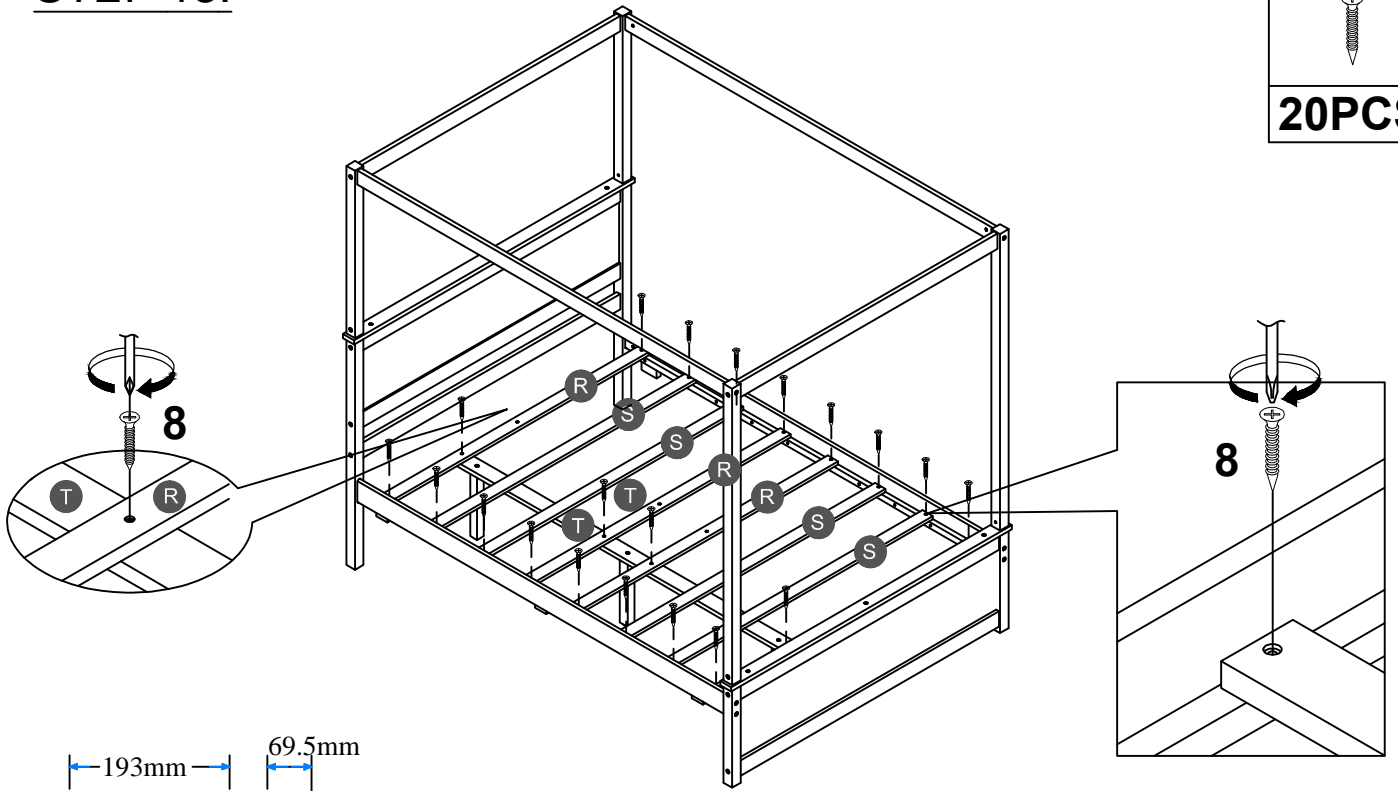
Assembling leg support (U) with lower support slat (T) later rotate, Move support slat inside Full bunkbed.

STEP 13:

8



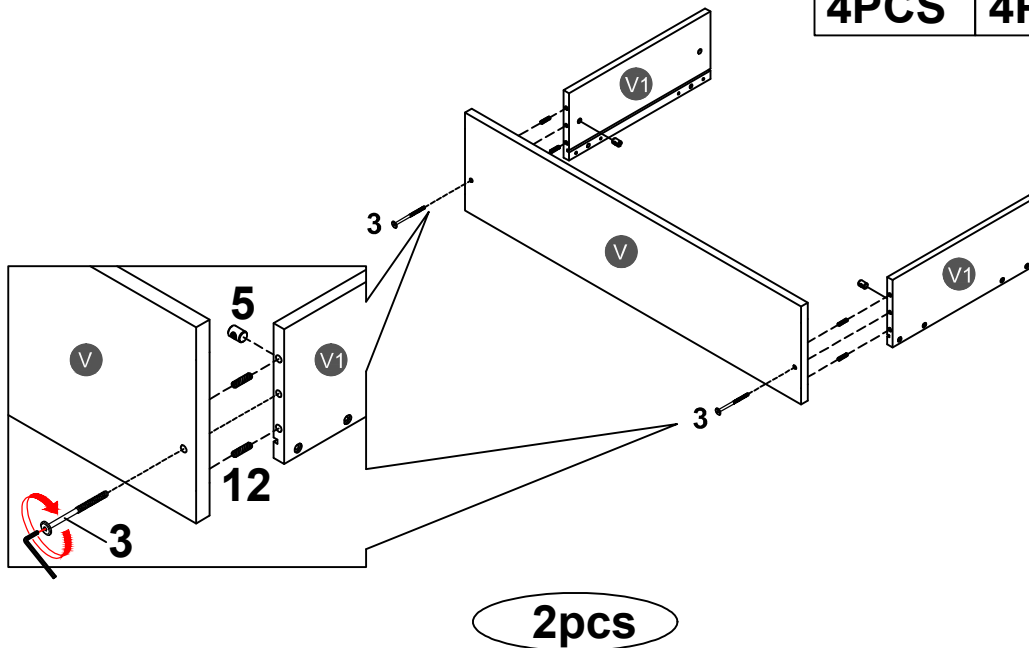
20PCS



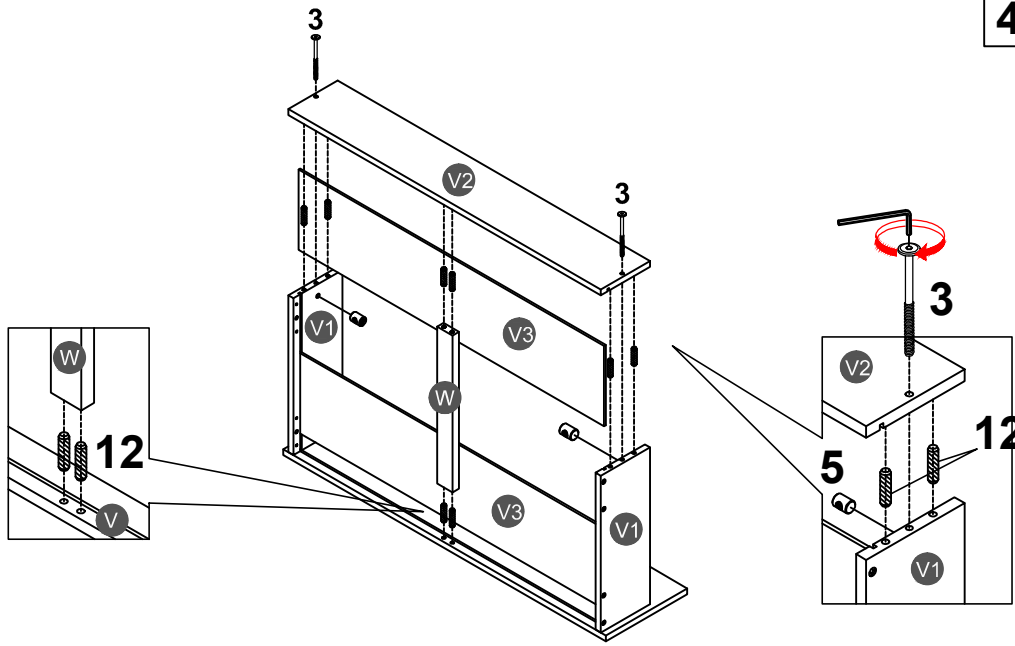
Note: Do not lock the screws of the bed slats to the outermost edge of the bed slats, you need to leave a certain space at the edges, otherwise it will cause the board to break. Do not lock the bed slats on the edge of the wood, please hold firmly before screwing, hold it in place with one hand, then lock the screw.

STEP 14:

3		5		12	
4PCS		4PCS		8PCS	



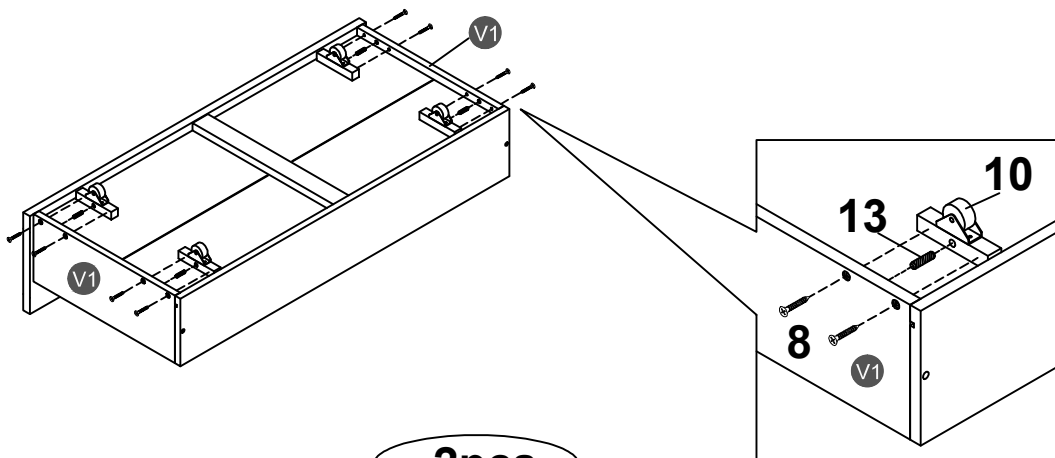
STEP 15:



3		5	
4PCS		4PCS	
		12	
		16PCS	

2pcs


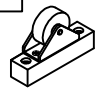
STEP 16:

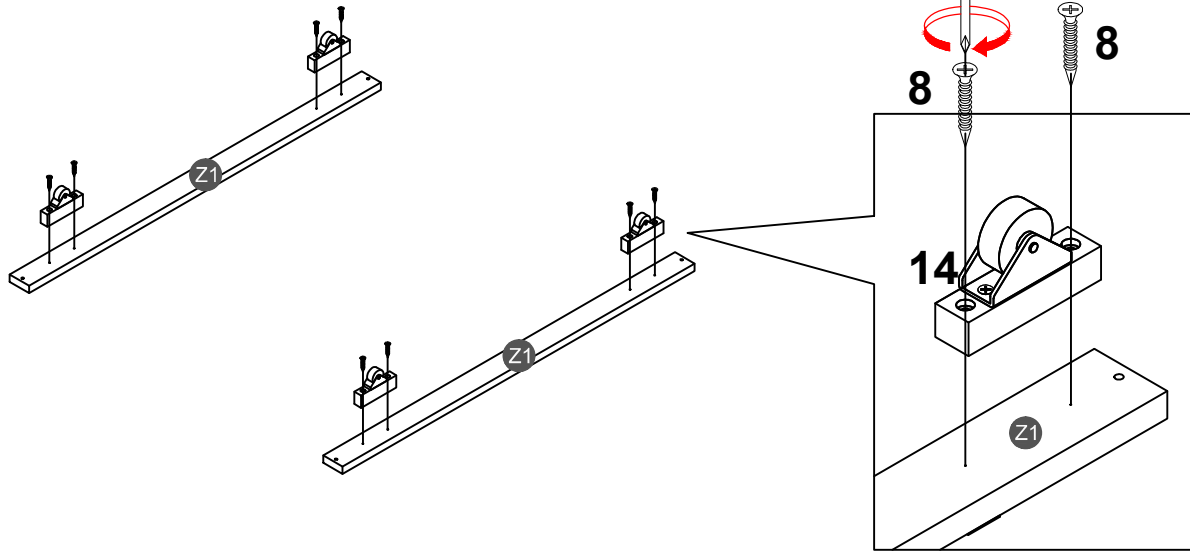


8		10		13	
16PCS		8PCS		8PCS	


2pcs

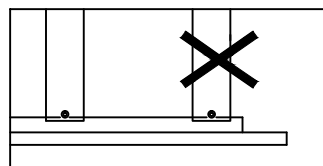
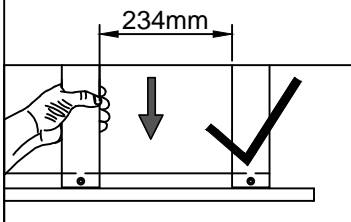
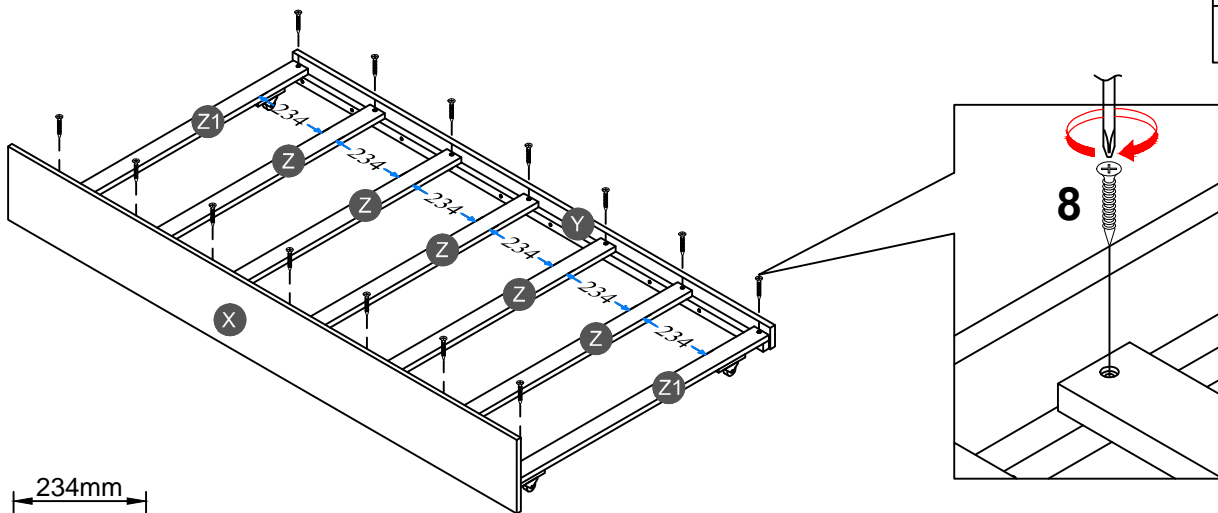
STEP 17:

8		14	
8PCS		4PCS	





STEP 18:

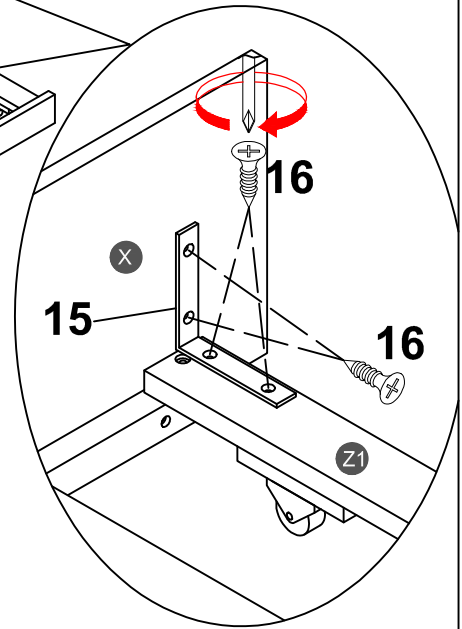
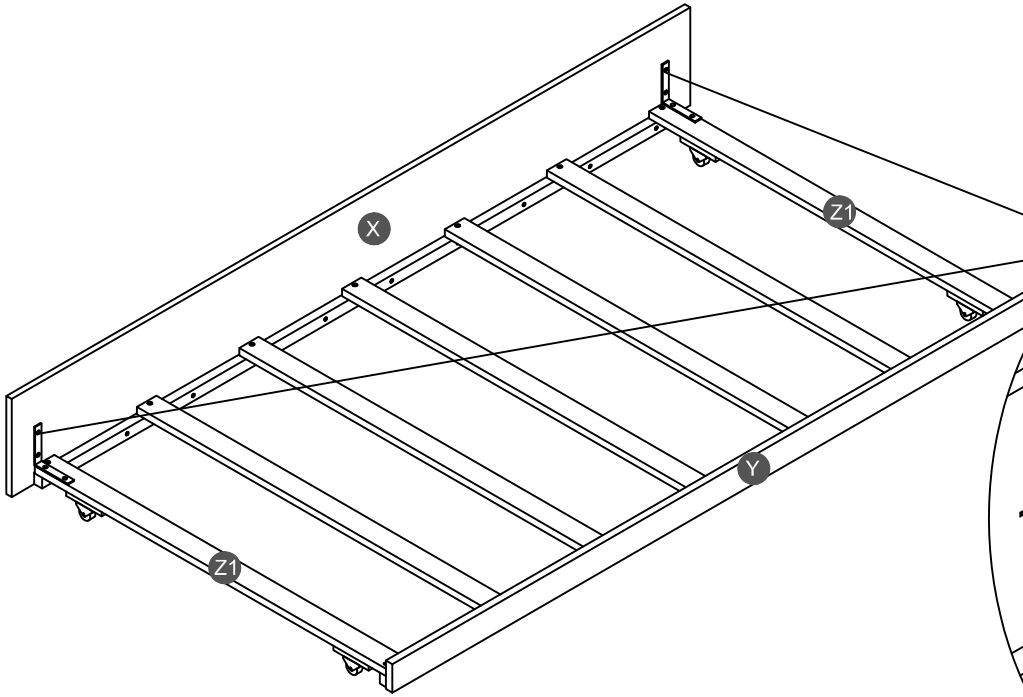
8	
14PCS	



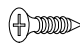
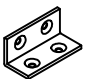
Note: Do not lock the screws of the bed slats to the outermost edge of the bed slats, you need to leave a certain space at the edges, otherwise it will cause the board to break.
Do not lock the bed slats on the edge of the wood, please hold firmly before screwing, hold it in place with one hand, then lock the screw.

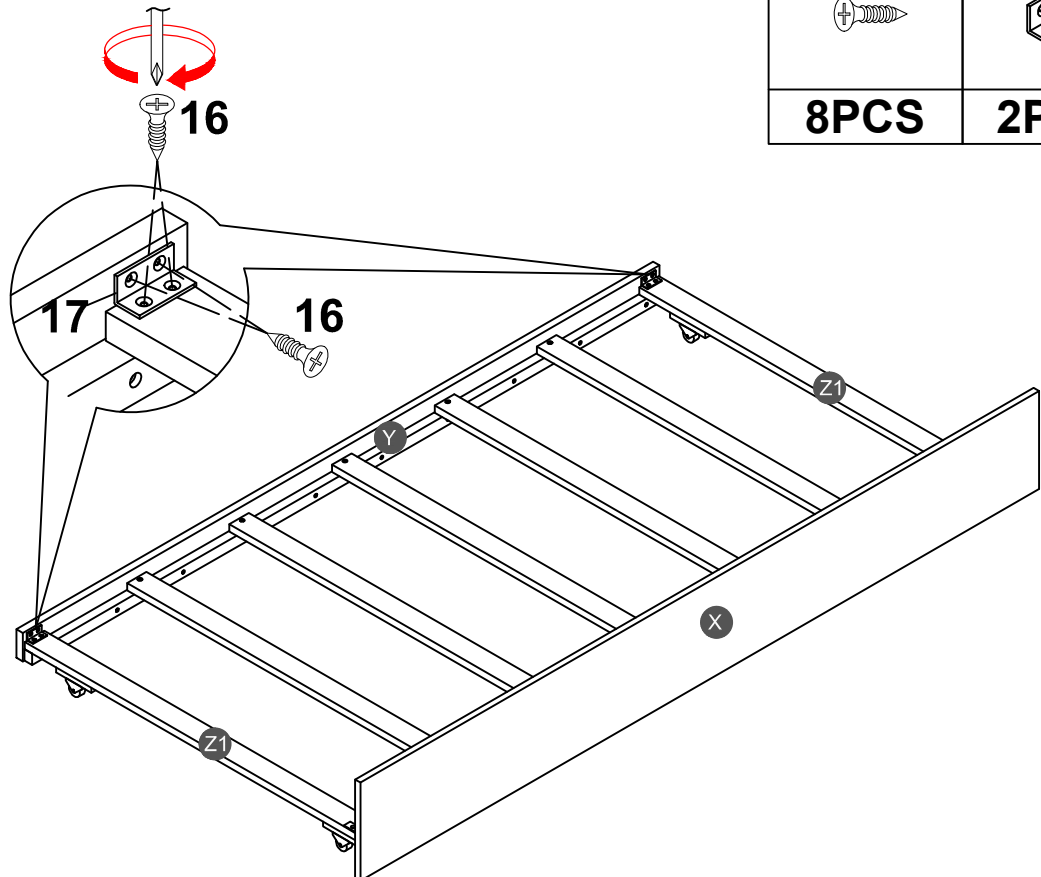
STEP 19:

15	16
	
2PCS	8PCS

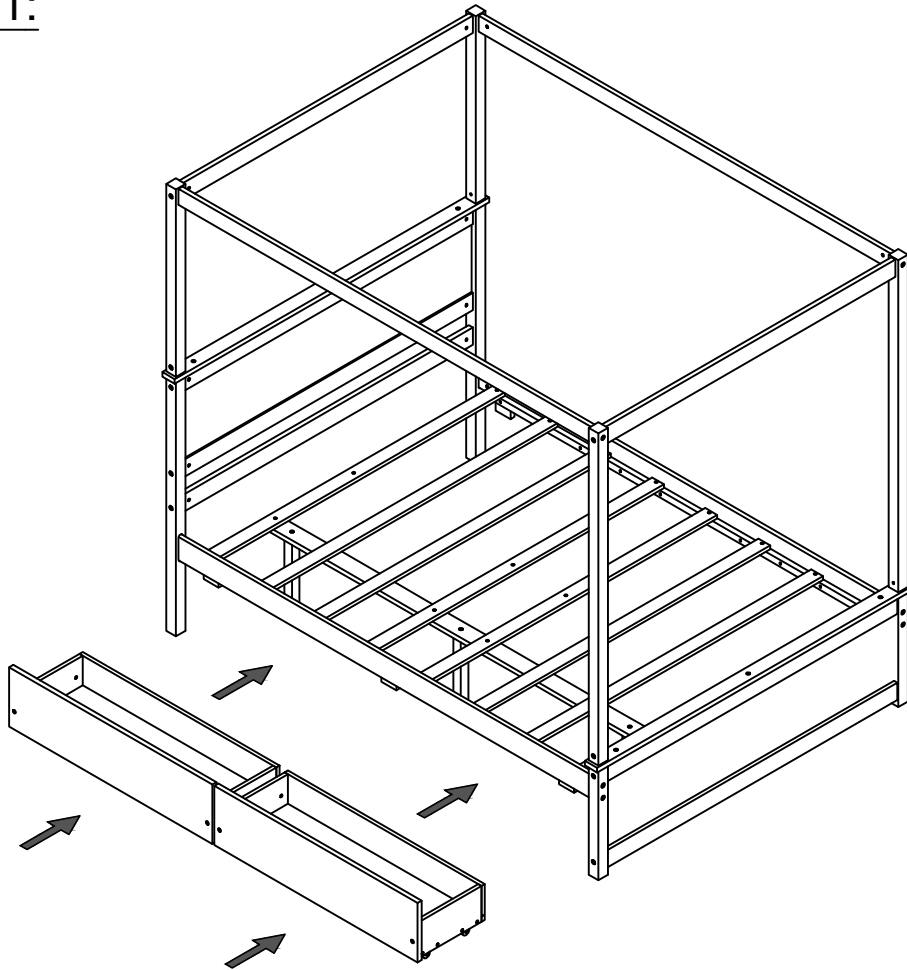


STEP 20:

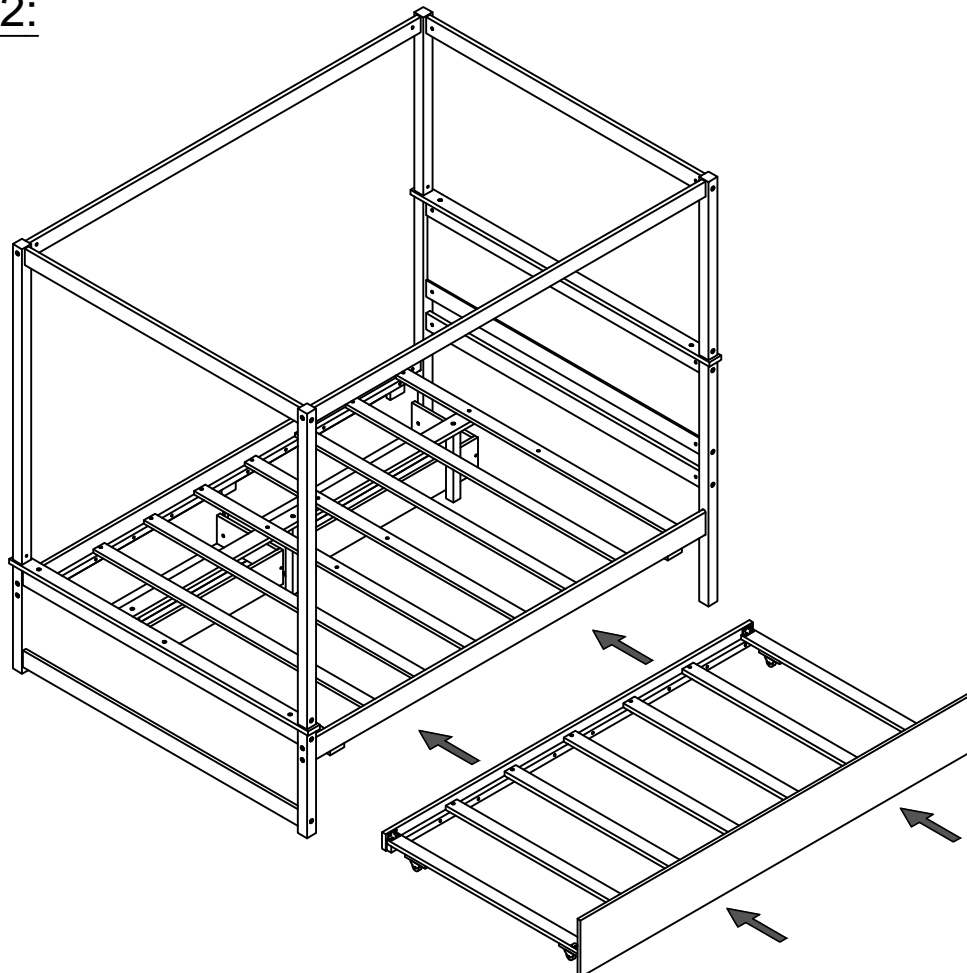
16	17
	
8PCS	2PCS



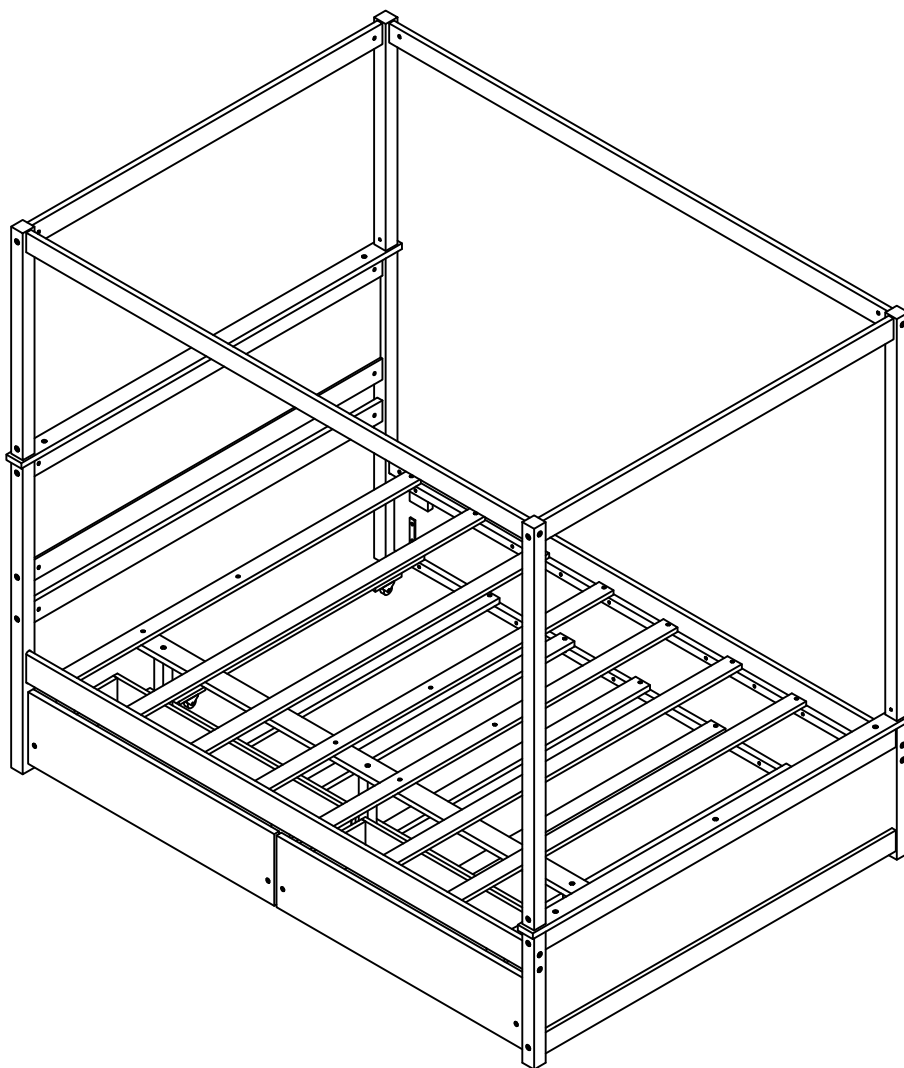
STEP 21:



STEP 22:



STEP 23:



Push Drawer and Trundle under the bottom of Bunkbed.