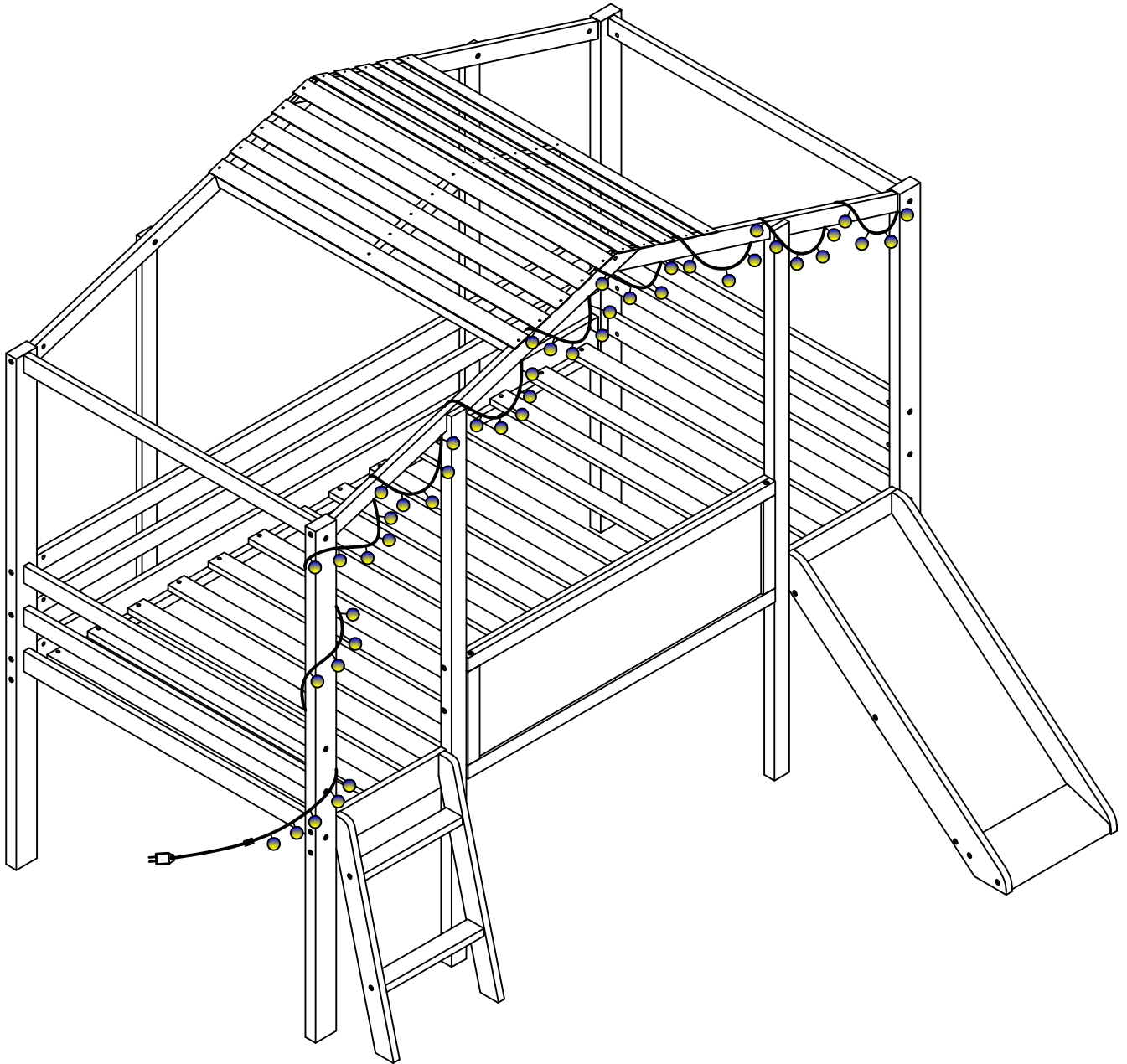


ASSEMBLY INSTRUCTION

SKU CODE: WF307450





SAFETY WARNINGS



1. This bed is designed for use only mattress(es) meeting the following specifications on the upper bunk:
Upper bunk (bunk bed and tribed included)

Upper bed

<i>Bed Type</i>	Length	Width	Thickness
<i>Twin Standard</i>	74"-75"	37 1/2"- 38"	6" max

2. Replacement parts, including additional guardrails, maybe obtained from any of our (GIGACLOUDTECHNOLOGY (USA) INC. 18961 ARENTH AVENUE CITY OF INDUSTRY, CA, 91748) dealers.
3. Follow the information on the warnings appearing on the upper bunk bed end structure and on the carton. Do not remove warning label from bed.
4. Always use the recommended size mattresses or mattress supports, or both, to help prevent the likelihood of entrapment or falls.
5. Surface of the mattress must be at least 5". (127 mm) below the upper edge of guardrails.
6. Do not allow children under 6 years of age to use the upper bunk.
7. Periodically check and ensure that the guardrail, ladder, and other components are in their proper position, free from damage, and that all connectors are tight.
8. Do not allow horseplay on or under the bed and prohibit jumping on the bed
9. Always use the ladder for entering and leaving the upper bunk.
10. Do not use substitute parts. Contact the manufacturer or dealer for replacement parts.
11. Use of a night light may provided added safety precaution for a child using the upper bunk.
12. Always use guardrails on both long sides of the upper bunk. If the bunk bed will be placed next to the wall, the guardrail that runs the full length of the bed should be placed against the wall to prevent entrapment between the bed and wall.
13. The use of water or sleep flotation mattresses is prohibited.
14. STRANGULATION HAZARD - Never attach or hang items to any part of the bunk bed that are not designed for use with the bed; for example, but not limited to, hook, belts and jump ropes.
15. Keep these instructions for future reference
16. Prohibit more than one person on upper bunk.
17. We recommend assembling your bunk bed on the shipping carton to protect your floor or carpet.
18. Be certain all staples are out of the box before beginning assembly on the shipping carton.

1. At the beginning :

Tighten all hardware.

Check metal parts for rust. If found, sand and repaint using a non-lead-based paint meeting the requirements of 16 CFR 1303.

Check all wood members for deterioration and splinters. Sand down splinters and replace deteriorating wood members.

Rake and check depth of loose fill protective surfacing materials to prevent compaction and to maintain appropriate depth.

Replace as necessary.

2. Twice a month

Tighten all hardware.

Rake and check depth of loose fill protective surfacing materials to prevent compaction and to maintain appropriate depth.

Replace as necessary.

3. Owners shall be responsible for maintaining the legibility of the warning labels.

4. Disposal Instructions-

There shall be instructions advising the owner to disassemble and dispose of the playground equipment in such a way that no unreasonable hazards will exist at the time the playground equipment is discarded.

5. The instructions shall also include the information found in Section 4 of the United States Consumer Product Safety Commission's (USCPSC) Outdoor Home Playground Safety Handbook or specific surfacing guidelines for the product consistent with the USCPSC Handbook. A copy of this section may be found in Appendix X2.

6. Observing the following statements and warnings reduces the likelihood of serious or fatal injury.

7. Specifying the number and weight of occupants that may safely use the equipment singly or simultaneously,

8. Recommending on-site adult supervision for children of all ages,

9. Warning the owner to instruct children not to use the equipment in a manner other than intended,

10. Warning the owner to instruct children not to get off equipment while it is in motion,

11. Warning the owner not to allow children to wear inappropriate items, such as but not limited to, loose fitting clothing, hood and neck drawstrings, scarves, cord-connected items, capes and ponchos. These items can cause death by strangulation.

12. Warning the owner to instruct children not to climb when the equipment is wet.

13. Warning the owner to instruct children not to attach items to the playground equipment that are not specifically designed for use with the equipment, such as, but not limited to, jump ropes, clothesline, pet leashes, cables and chain as they may cause a strangulation hazard

14. Warning the owner to instruct children to remove their bike or other sports helmet before playing on the playground equipment.

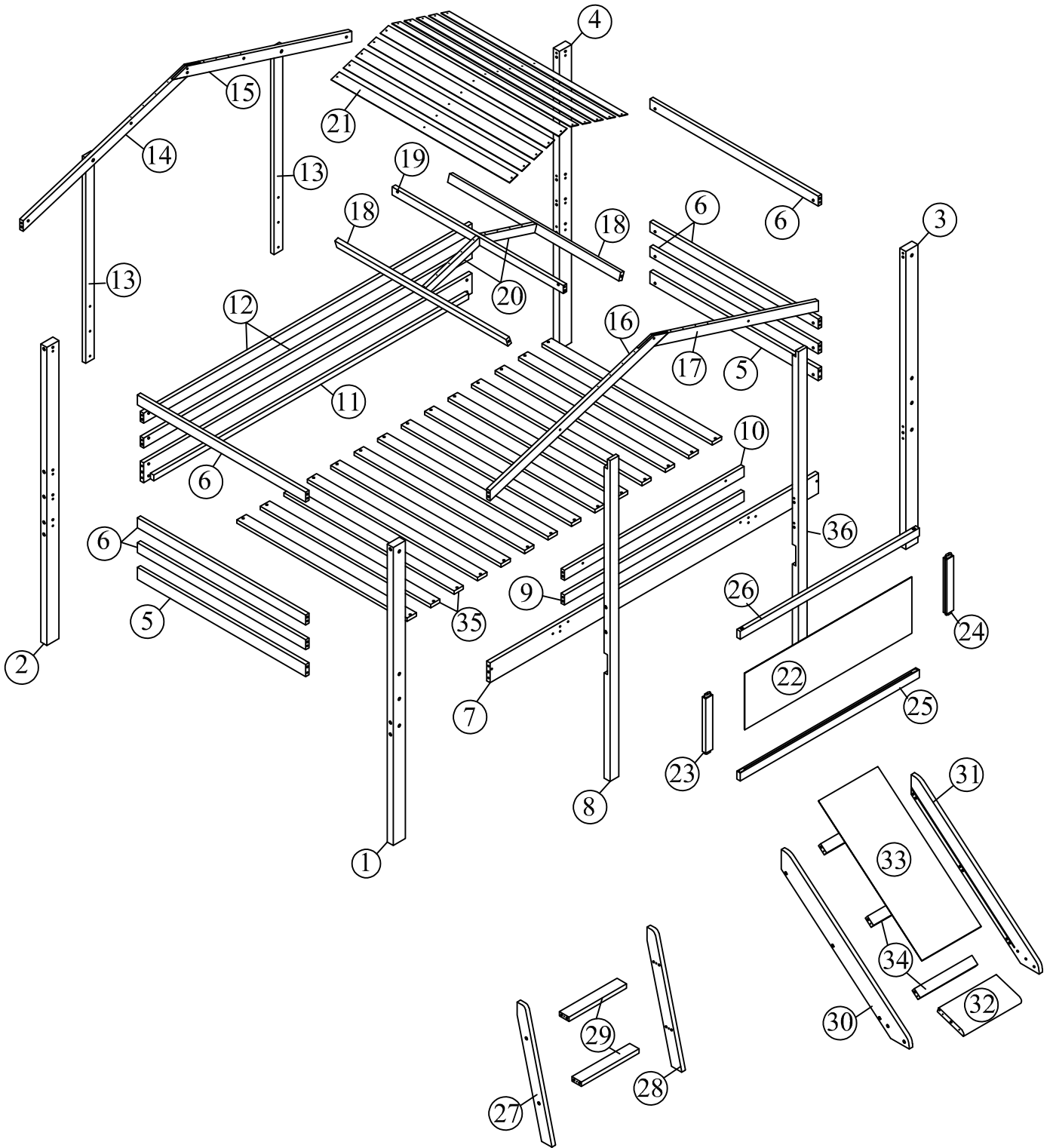
15. Warning the owner to dress children with well-fitting and full foot enclosing footwear. Examples of inappropriate footwear are clogs, flip flops, and sandals.

16. Place the equipment on level ground, not less than 6 ft (1.8 m) from any structure or obstruction such as a fence, garage, house, overhanging branches, laundry lines, or electrical wires





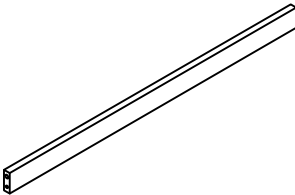
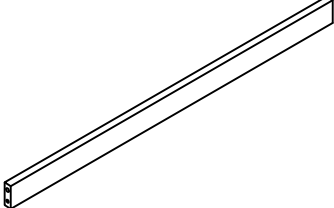
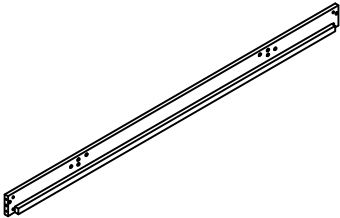

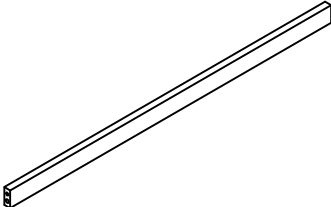
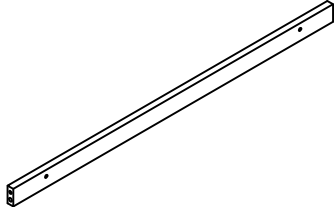
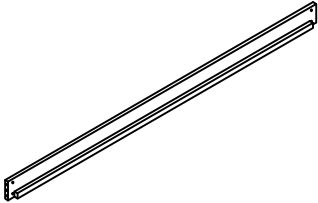
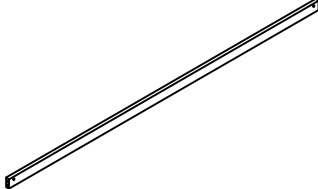

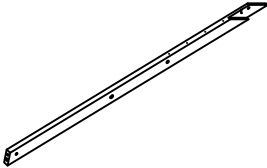
17. Do not install home playground equipment over concrete, asphalt, packed earth, grass, carpet, or any other hard surface. A fall onto a hard surface can result in serious injury or death to the equipment user

18. To prevent serious injury, cautionary statements shall be included which warn that children must not use the equipment until properly installed.

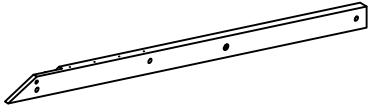
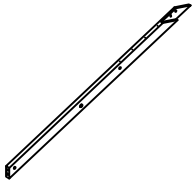
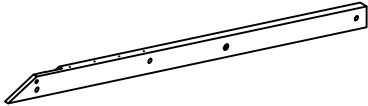
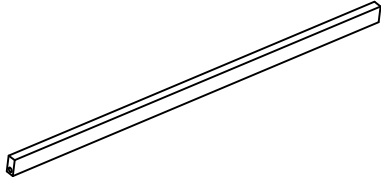
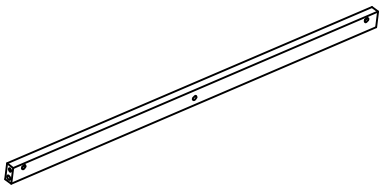
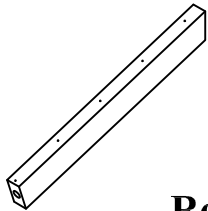
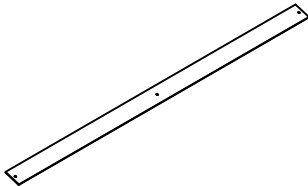



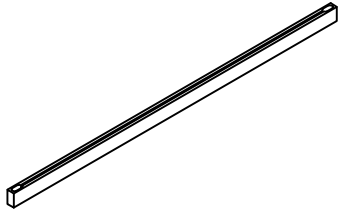
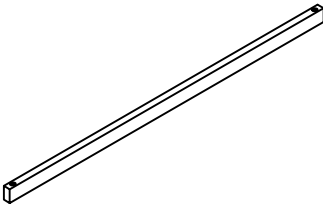


Detail view



Part List (WF307450)

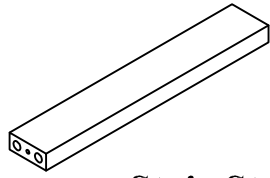
<p>① x1</p>  <p>Front Left Leg</p>	<p>② x1</p>  <p>Back Left Leg</p>
<p>③ x1</p>  <p>Front Right Leg</p>	<p>④ x1</p>  <p>Back Right Leg</p>
<p>⑤ x2</p>  <p>Headboard - Foodboard</p>	<p>⑥ x6</p>  <p>Headboard - Foodboard Guards</p>
<p>⑦ x1</p>  <p>Side Rail</p>	<p>⑧ x1</p>  <p>Left Front Vertical Post</p>
<p>⑨ x1</p>  <p>Guard Side Rail</p>	<p>⑩ x1</p>  <p>Guard Side Rail</p>
<p>⑪ x1</p>  <p>Side Rail</p>	<p>⑫ x2</p>  <p>Guard Side Rail</p>
<p>⑬ x2</p>  <p>Back Vertical Post</p>	<p>⑭ x1</p>  <p>Back Left Roof Rail</p>

Part List (WF307450)

<p>①5 x1</p>  <p style="text-align: center;">Back Right Roof Rail</p>	<p>①6 x1</p>  <p style="text-align: center;">Front Left Roof Rail</p>
<p>①7 x1</p>  <p style="text-align: center;">Front Right Roof Rail</p>	<p>①8 x2</p>  <p style="text-align: center;">Roof Rail</p>
<p>①9 x1</p>  <p style="text-align: center;">Roof Rail</p>	<p>②0 x2</p>  <p style="text-align: center;">Roof Rail</p>
<p>②1 x10</p>  <p style="text-align: center;">Panel Roof Rail</p>	<p>②2 x1</p>  <p style="text-align: center;">Chalkboard</p>
<p>②3 x1</p>  <p style="text-align: center;">Left Frame Chalkboard</p>	<p>②4 x1</p>  <p style="text-align: center;">Right Frame Chalkboard</p>
<p>②5 x1</p>  <p style="text-align: center;">Under Frame Chalkboard</p>	<p>②6 x1</p>  <p style="text-align: center;">Upper Frame Chalkboard</p>
<p>②7 x1</p>  <p style="text-align: center;">Left Leg Ladder</p>	<p>②8 x1</p>  <p style="text-align: center;">Right Leg Ladder</p>

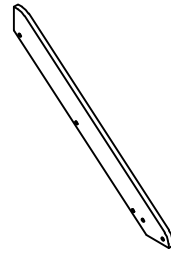
Part List (WF307450)

②9 x2



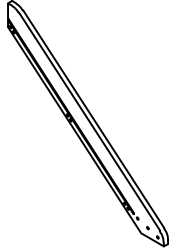
Stair Step

③0 x1



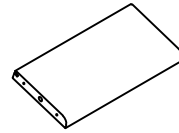
Side Rail Slide

③1 x1



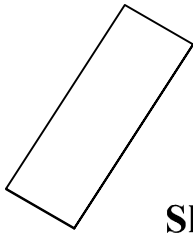
Side Rail Slide

③2 x1



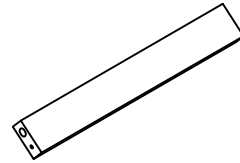
Bottom Slide

③3 x1



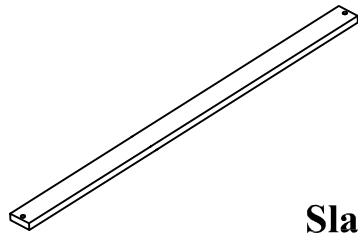
Skateboard Deck

③4 x3



Support Slide

③5 x14



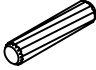
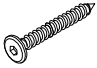
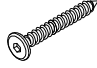






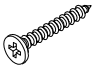
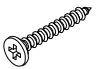



Slats

③6 x1

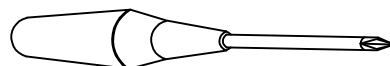


Right Front Vertical Post

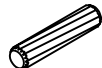



Hardware List (WF307450)

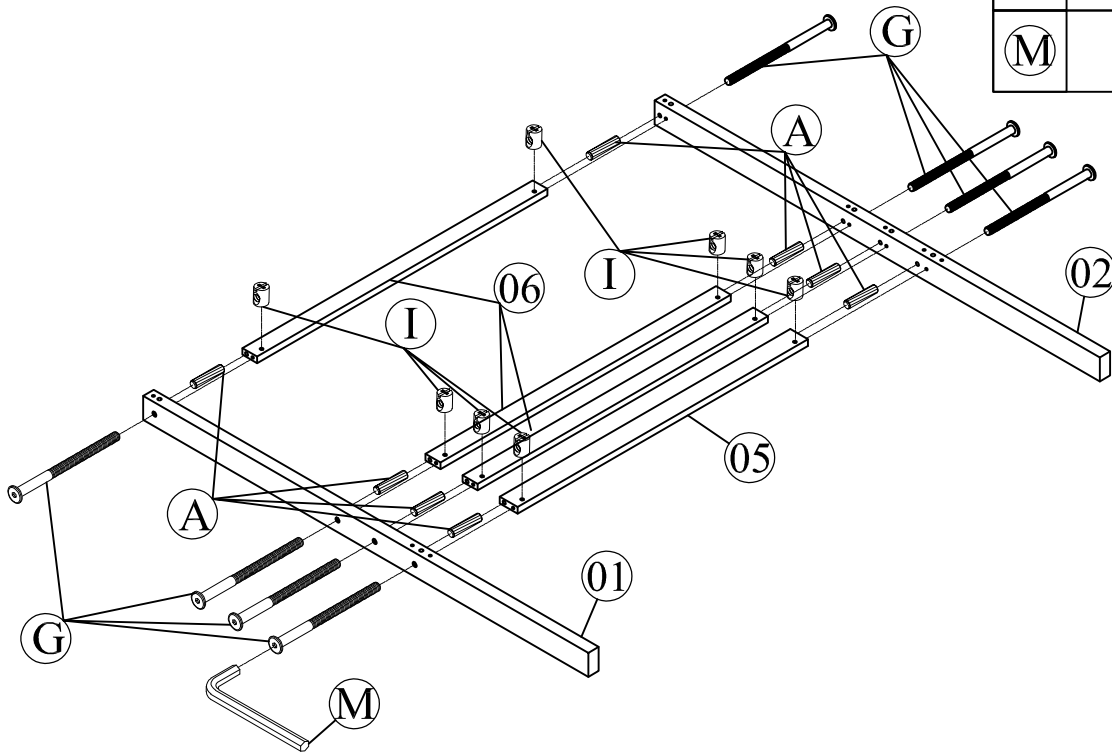
No.	OUTLOOK	DESC	QTY
(A)		Dowel Ø10*40mm	57
(B)		Screws Ø6.5*30mm	6
(C)		Screws Ø6.5*50mm	14
(D)		Bolts 1/4"*25mm	8
(E)		Bolts 1/4"*100mm	4
(F)		Bolts 1/4"*35mm	4
(G)		Bolts 1/4"*70mm	18
(H)		Bolts 1/4"*120mm	16
(I)		Cross dowel 1/4"*13mm	38
(J)		Screws #8*30mm	28
(K)		Screws #8*40mm	4
(L)		Round head screw #8*20mm	30
(M)		Allen key 60*22*4mm	1
(N)		Led lights	1

ASSEMBLY TOOLS REQUIRED (NOT INCLUDED)







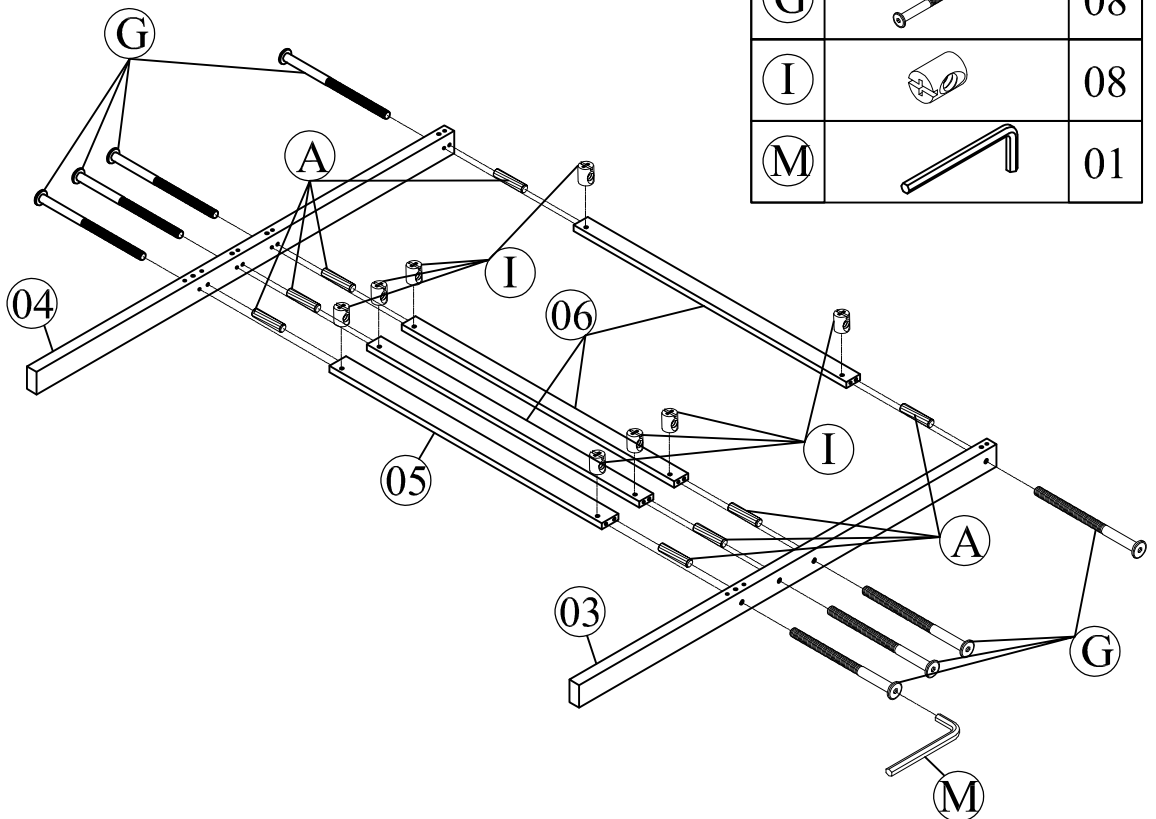
STEP 1:

(A)		08
(G)		08
(I)		08
(M)		01

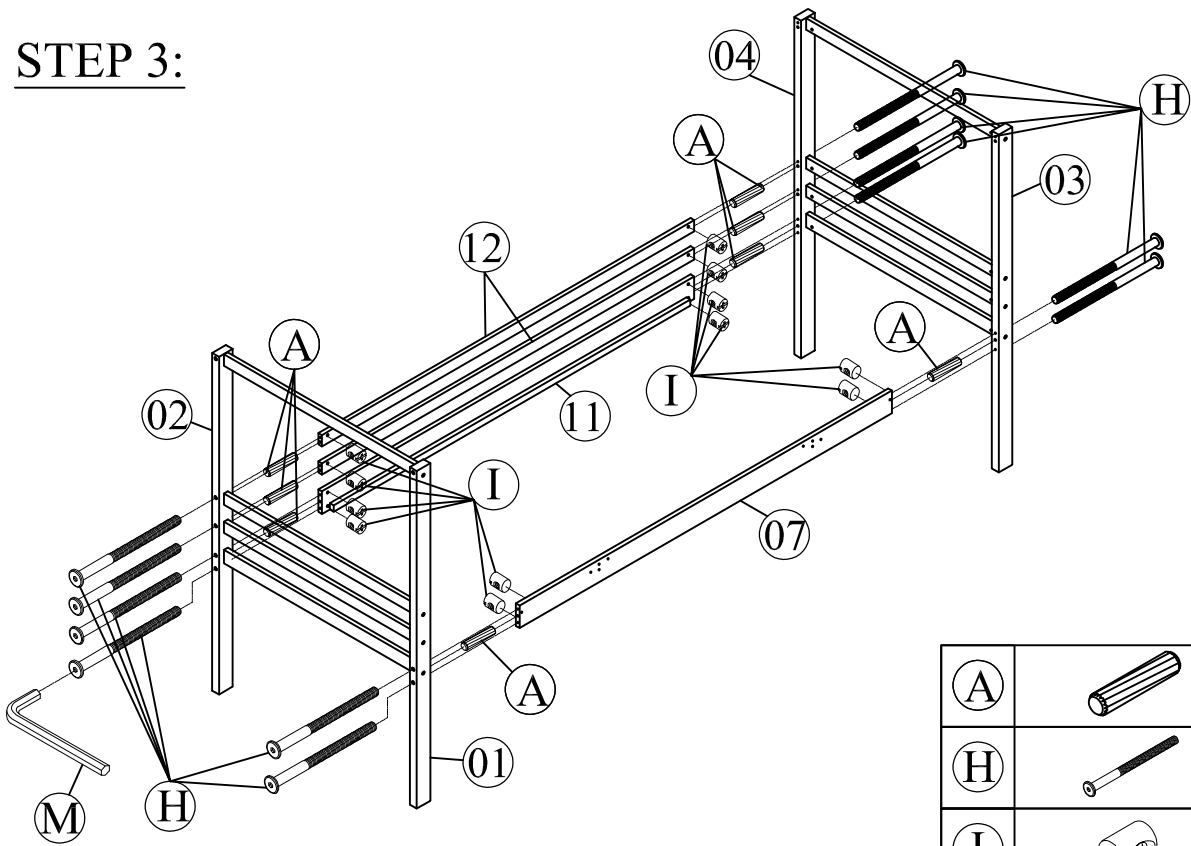


STEP 2:

(A)		08
(G)		08
(I)		08
(M)		01

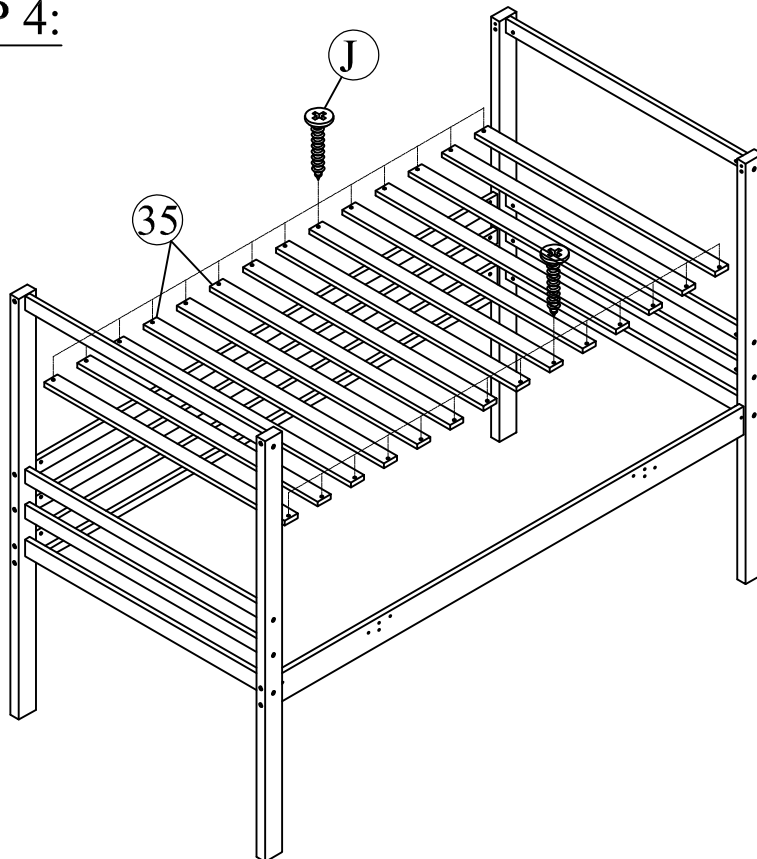


STEP 3:



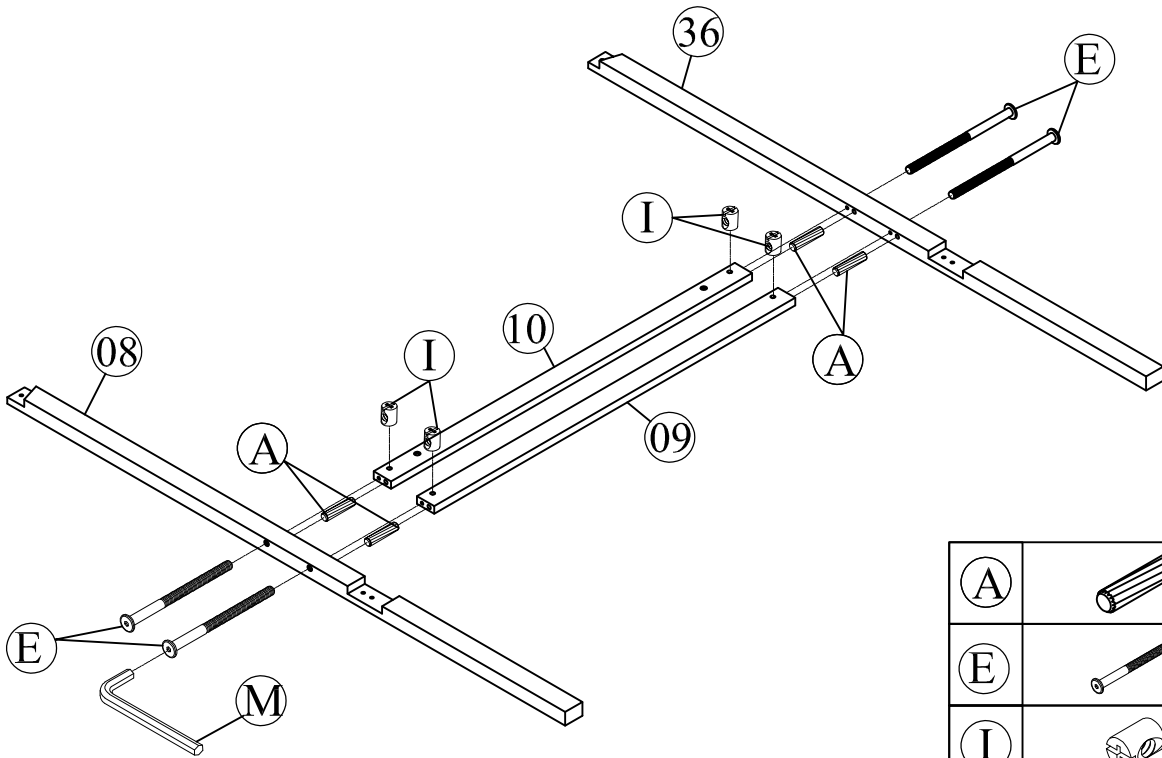
(A)		08
(H)		12
(I)		12
(M)		01

STEP 4:



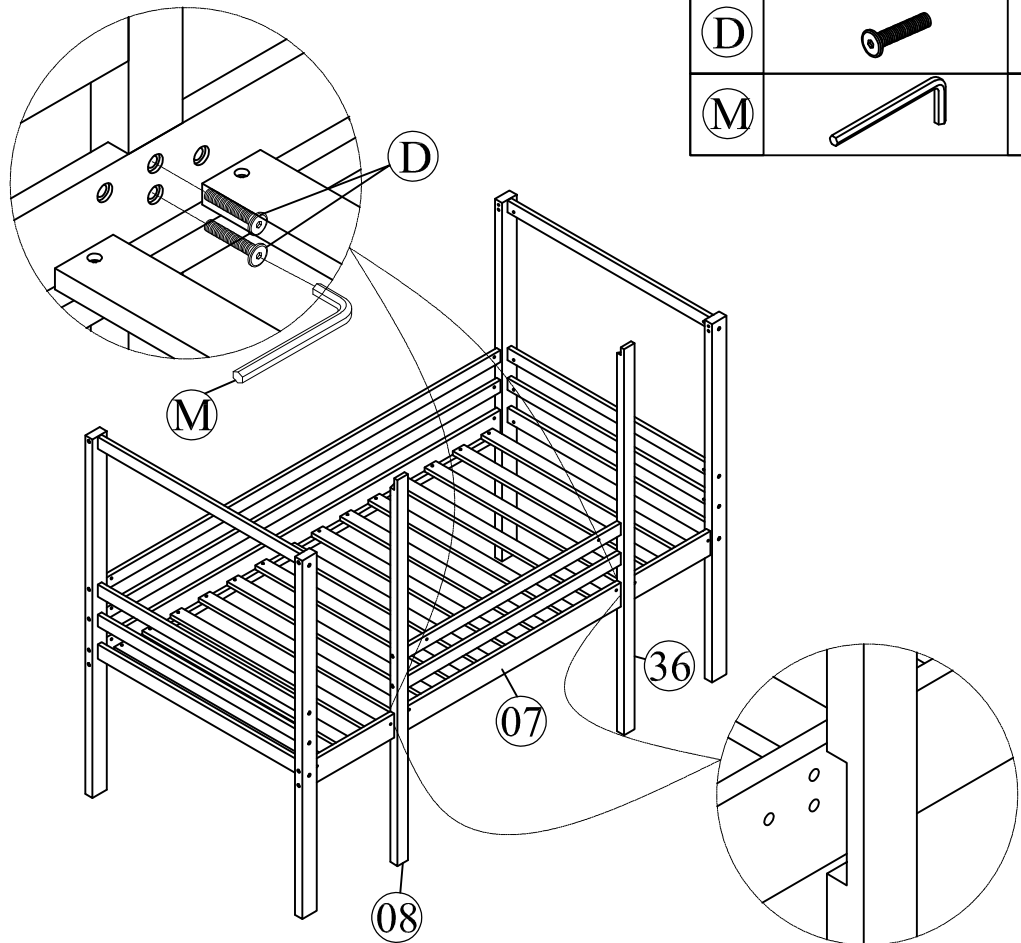
(J)		28
-----	--	----

STEP 5:



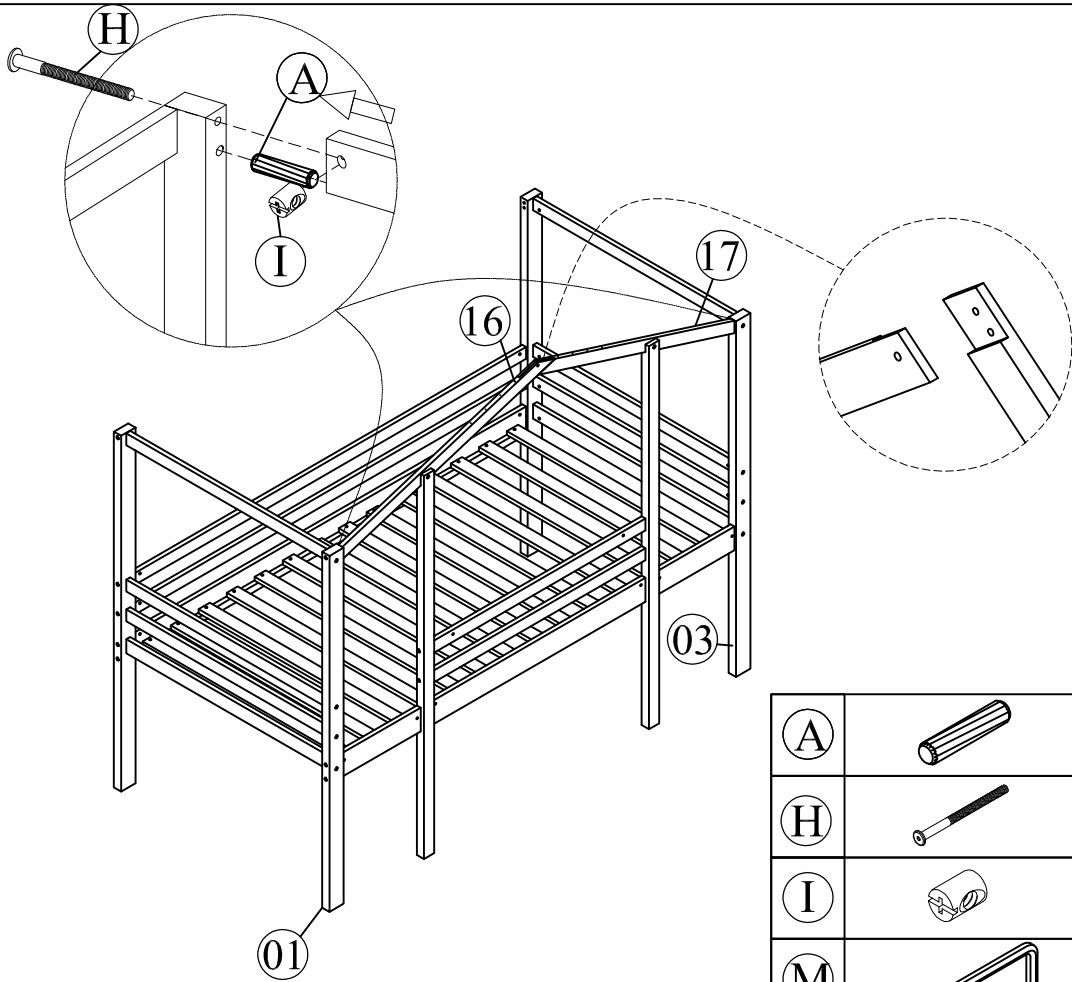
(A)		04
(E)		04
(I)		04
(M)		01

STEP 6:



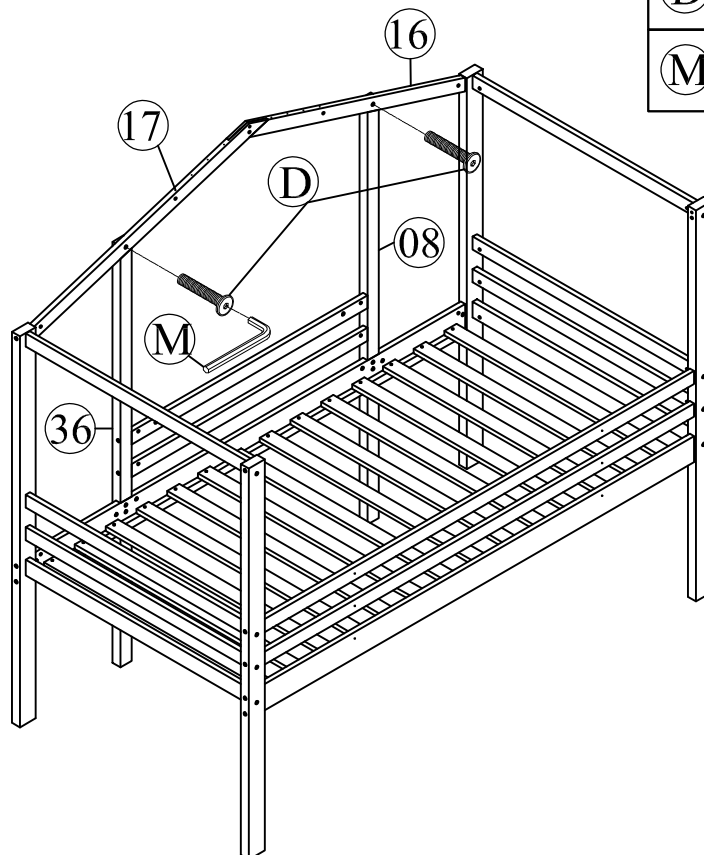
(D)		04
(M)		01

STEP 7:



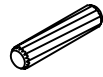
(A)		02
(H)		02
(I)		02
(M)		01

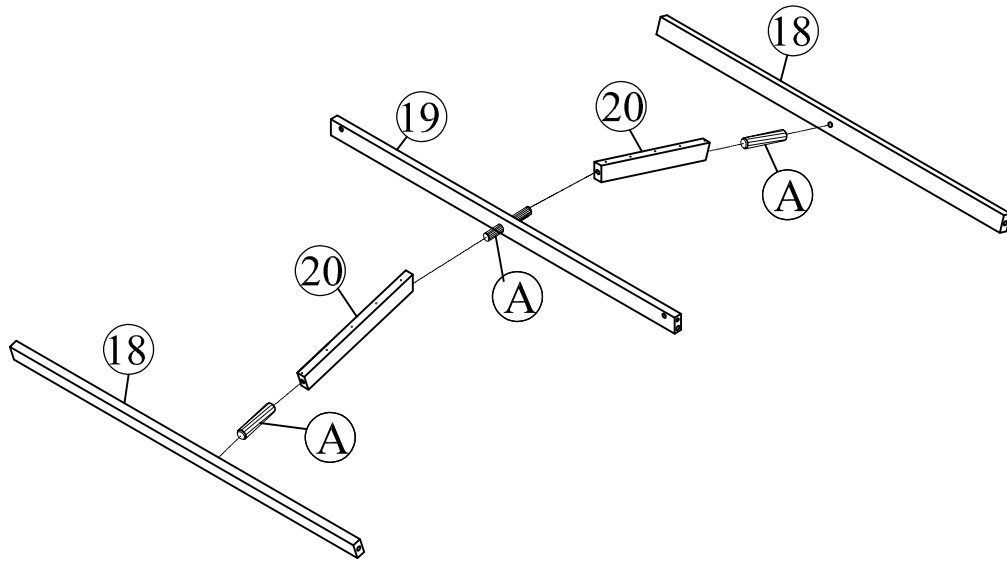
STEP 8:



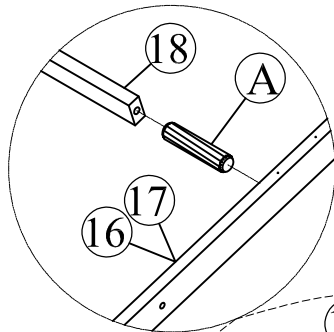
(D)		02
(M)		01

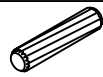
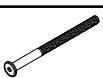
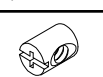

STEP 9:

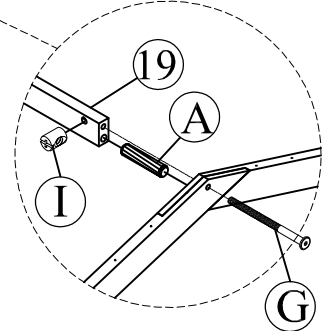
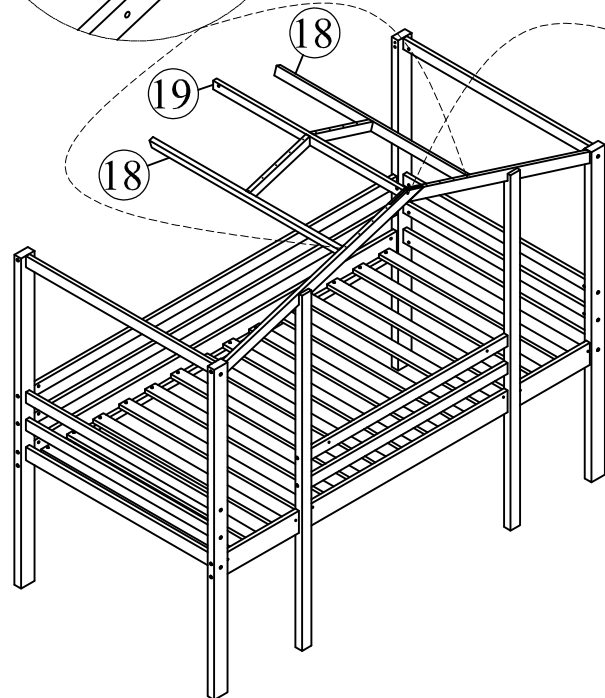
A		03
---	---	----



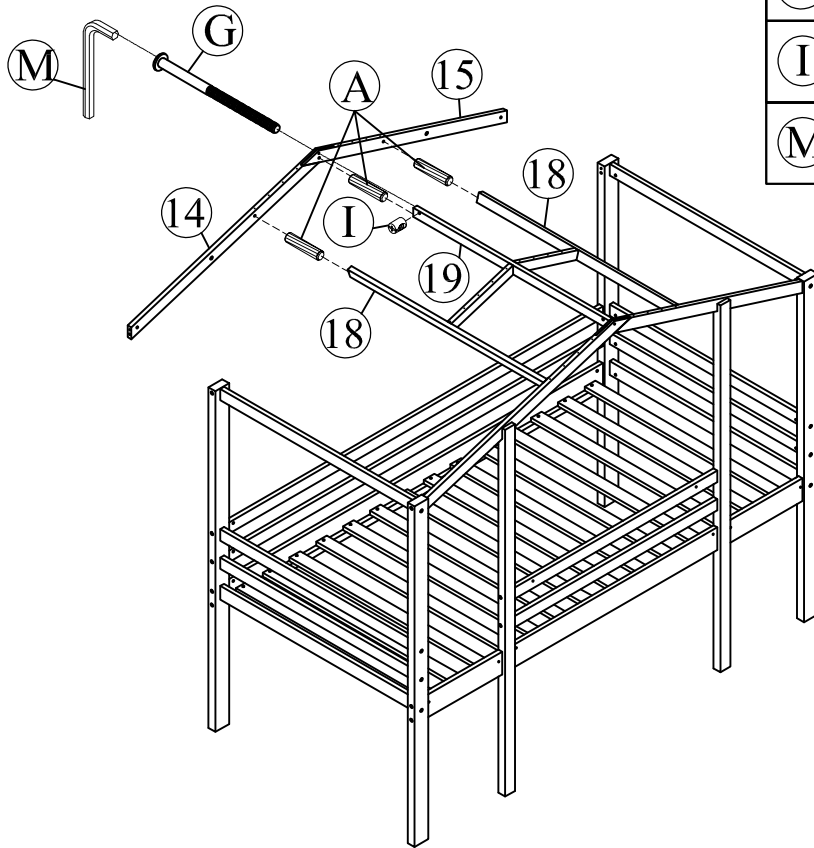
STEP 10:



A		03
G		01
I		01
M		01

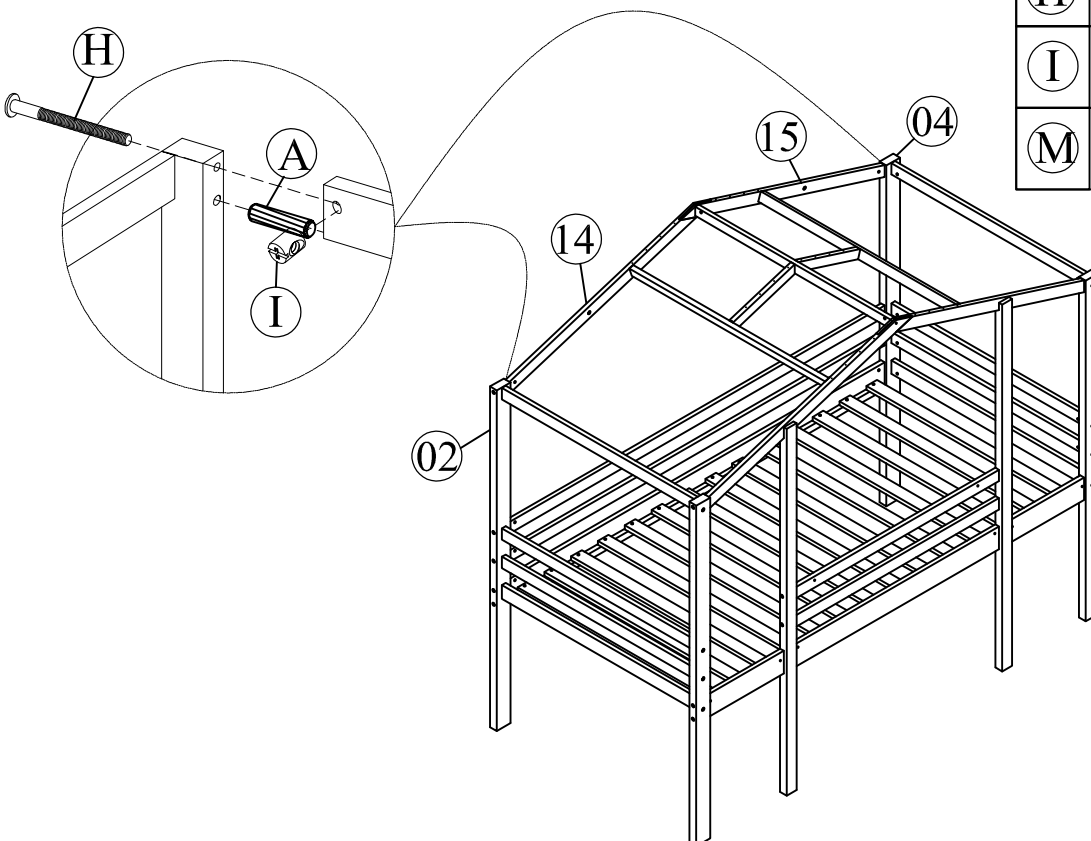


STEP 11:





(A)		03
(G)		01
(I)		01
(M)		01

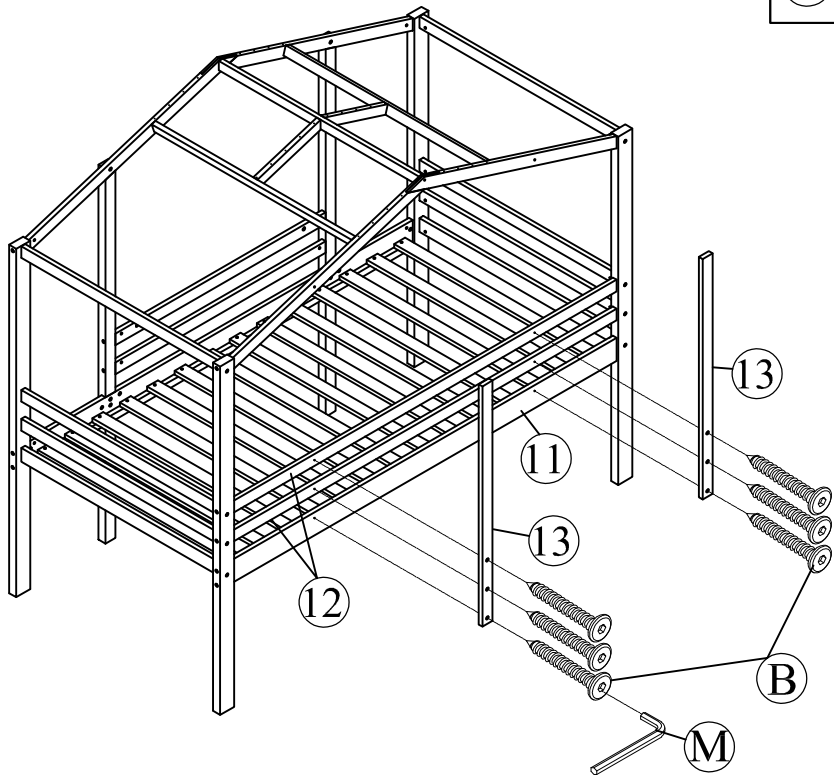
STEP 12:





(A)		02
(H)		02
(I)		02
(M)		01

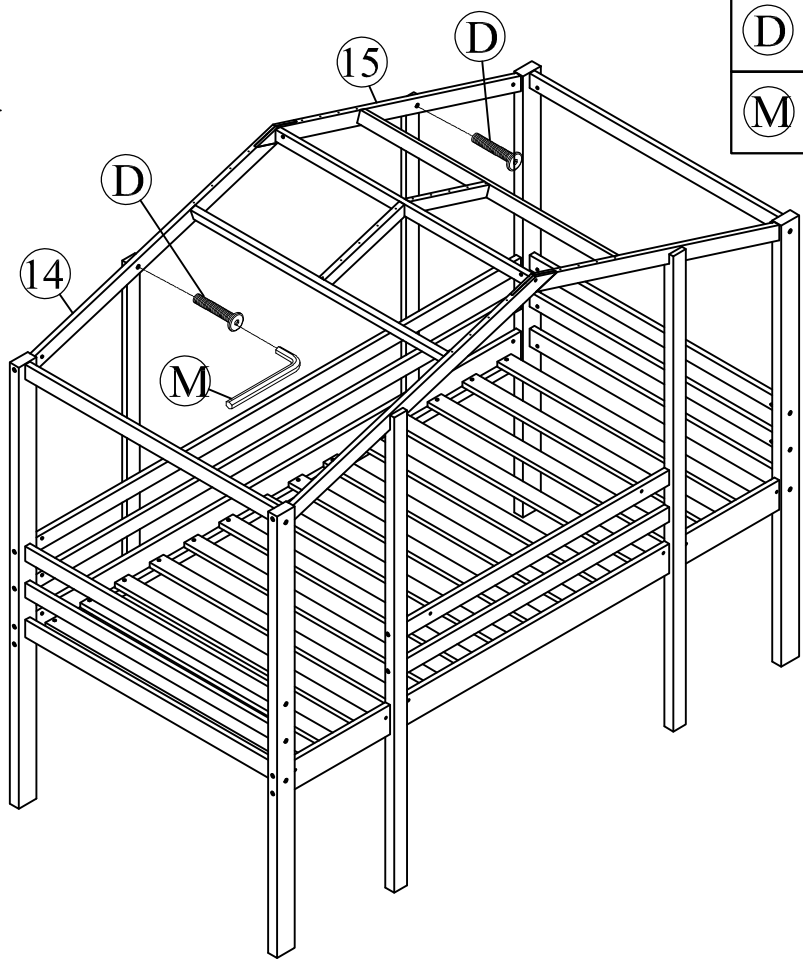
STEP 13:

(B)		06
(M)		01

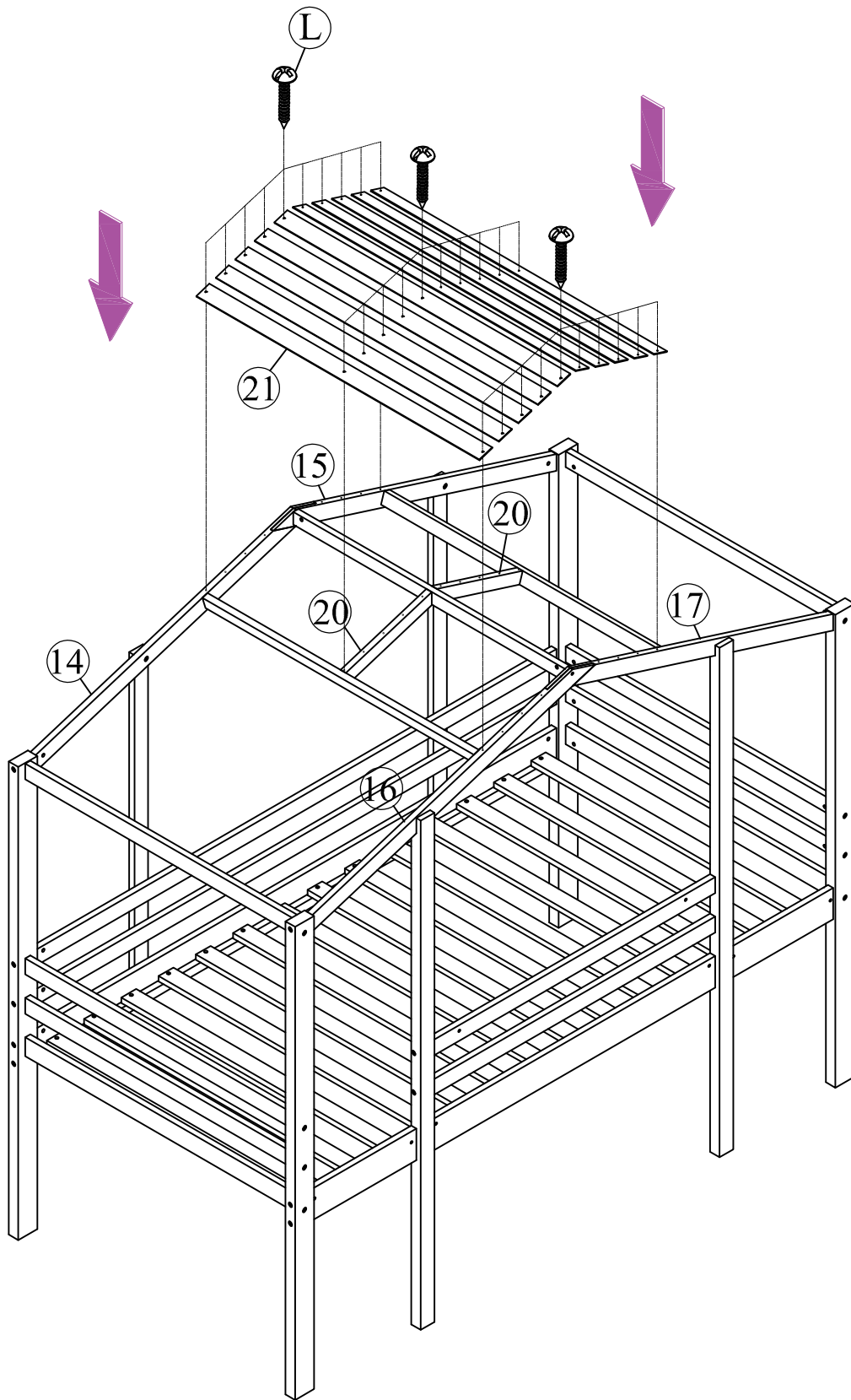


STEP 14:

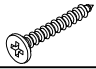
(D)		02
(M)		01

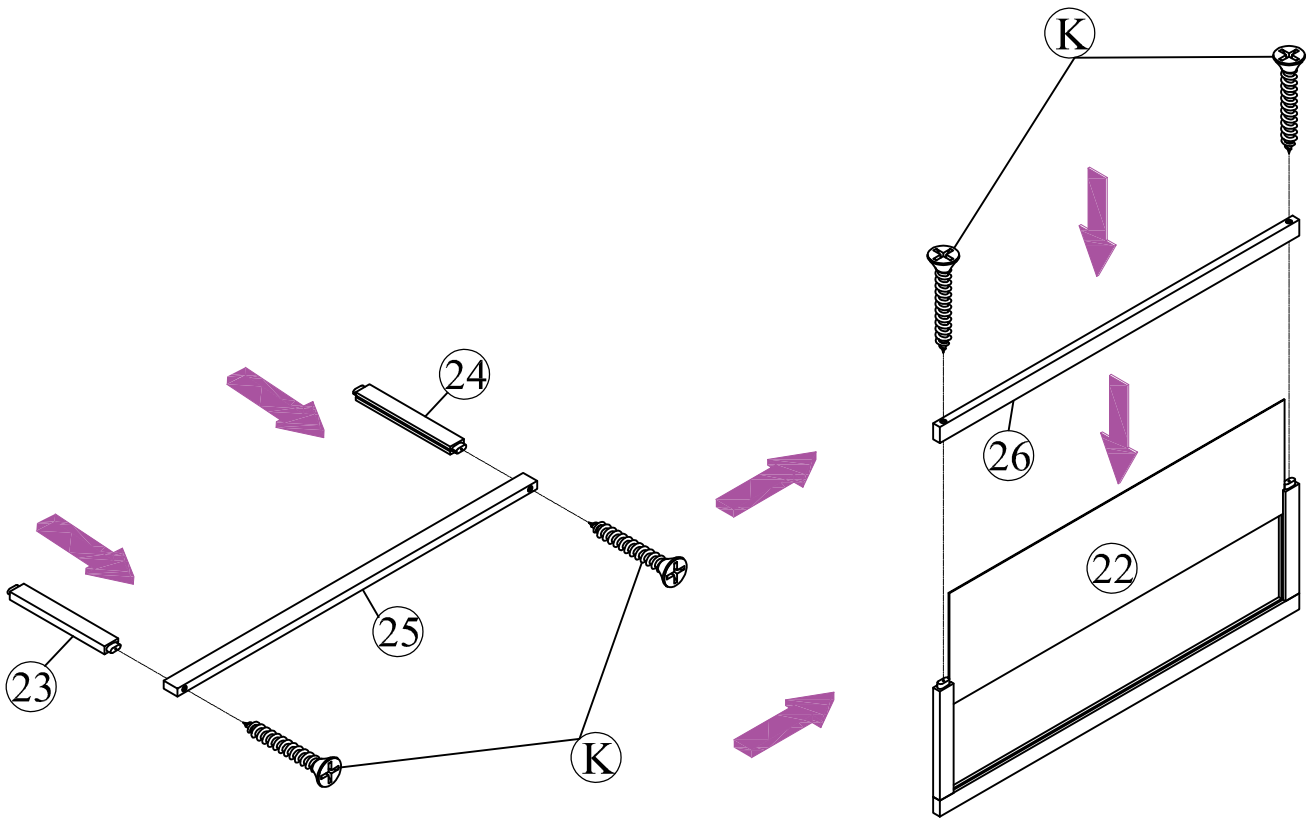


STEP 15:





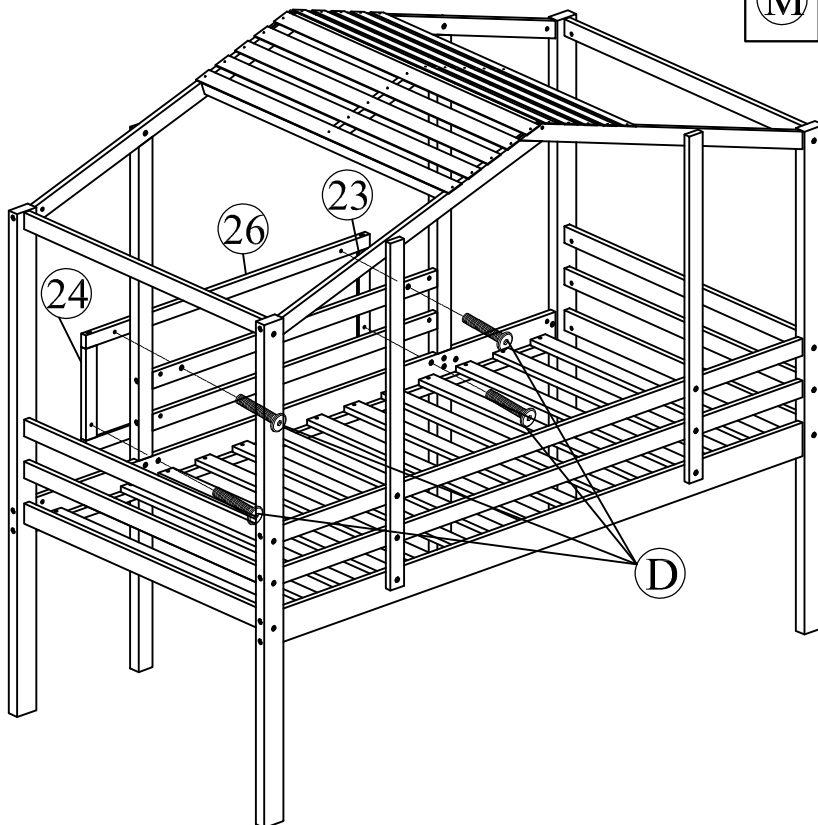
STEP 16:

(K)		04
-----	---	----

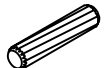




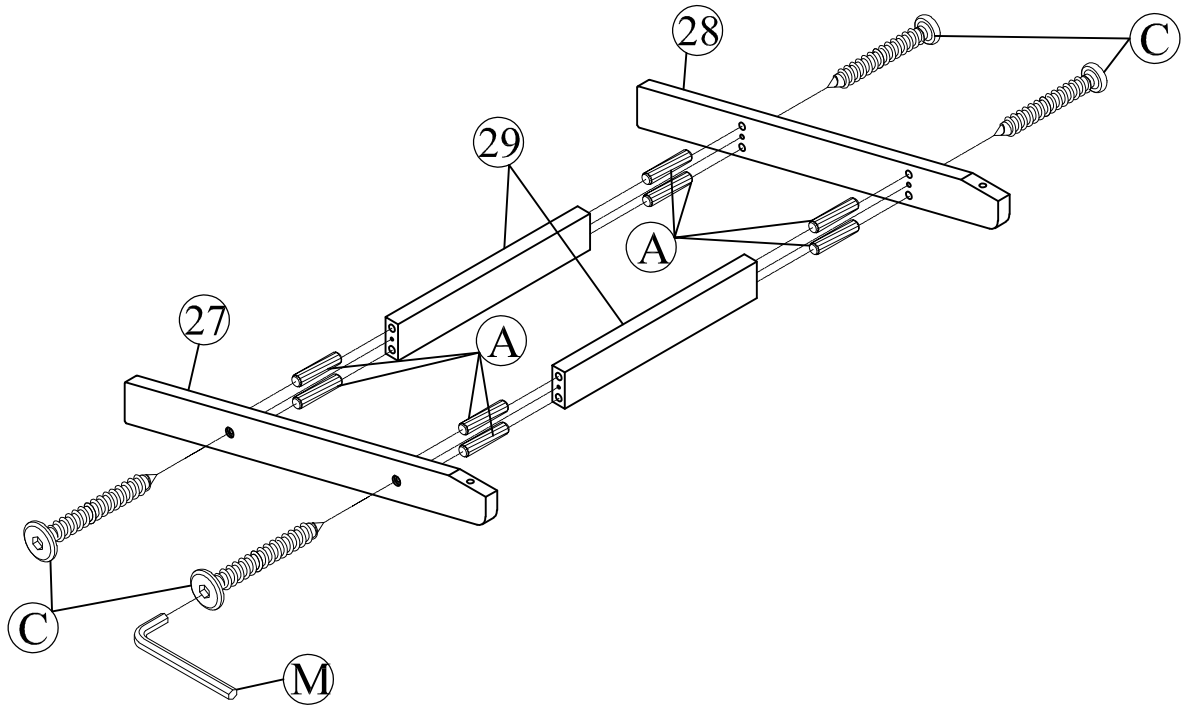
STEP 17:

(D)		04
(M)		01





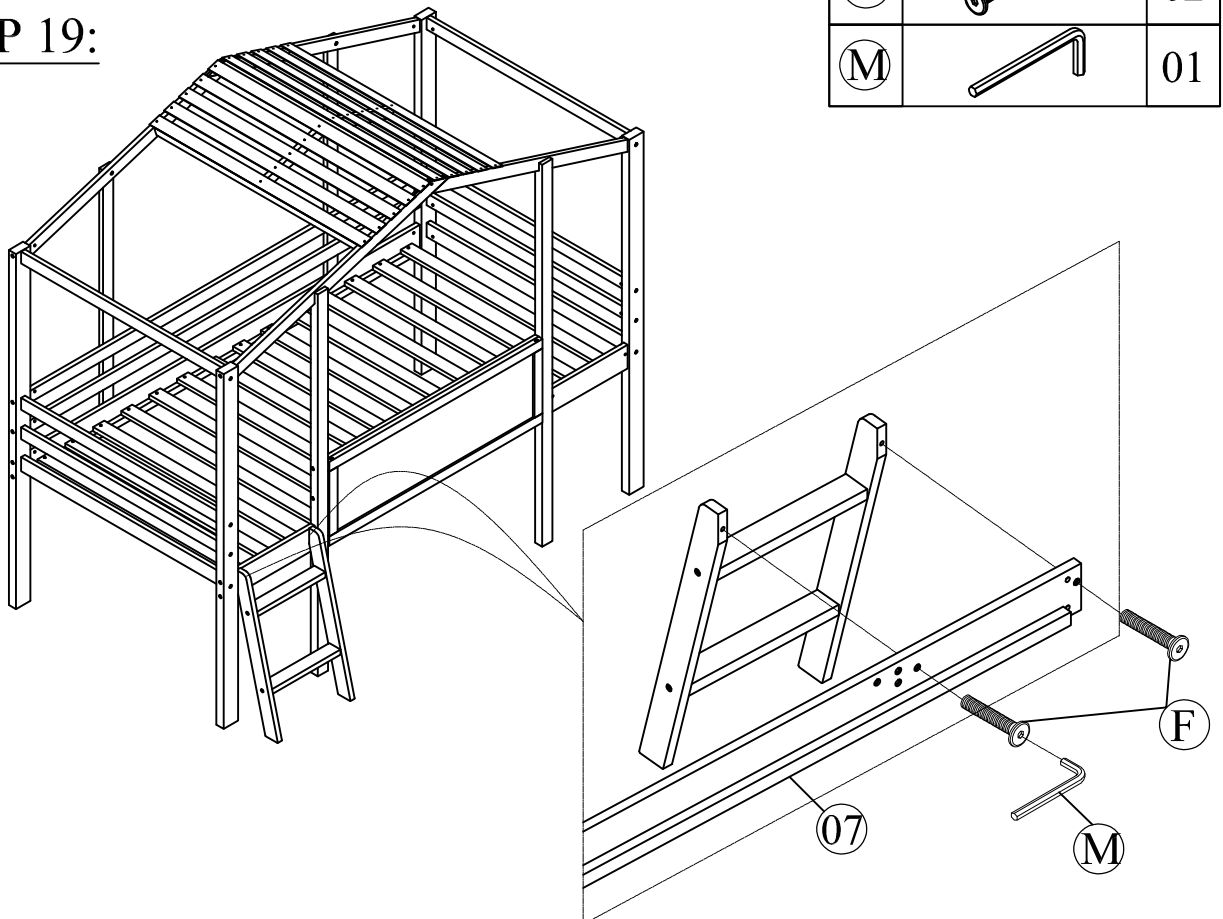
STEP 18:

(A)		08
(C)		04
(M)		01

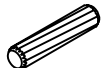




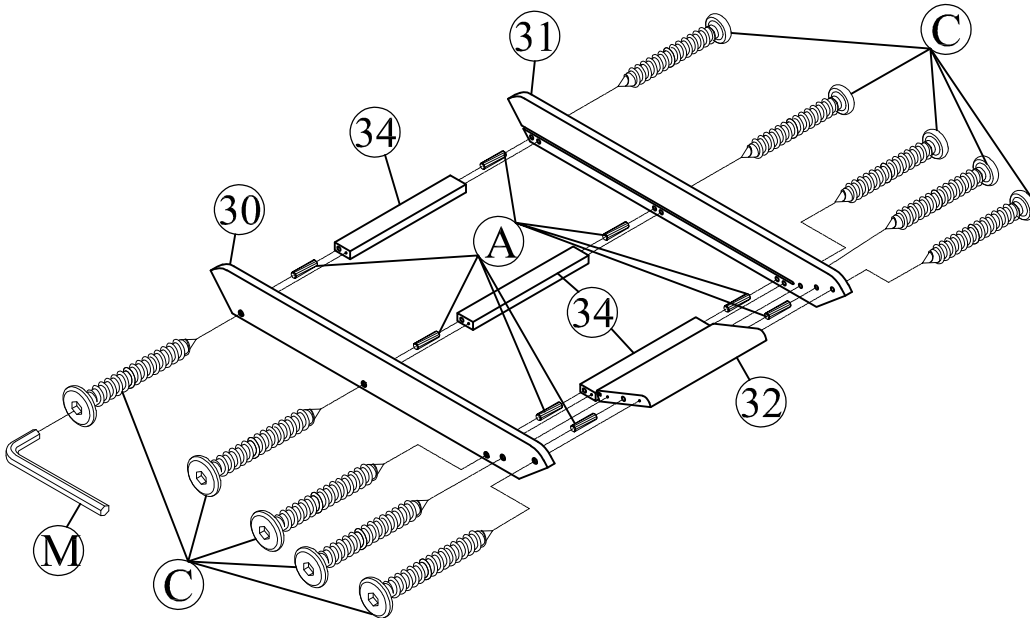
STEP 19:

(F)		02
(M)		01





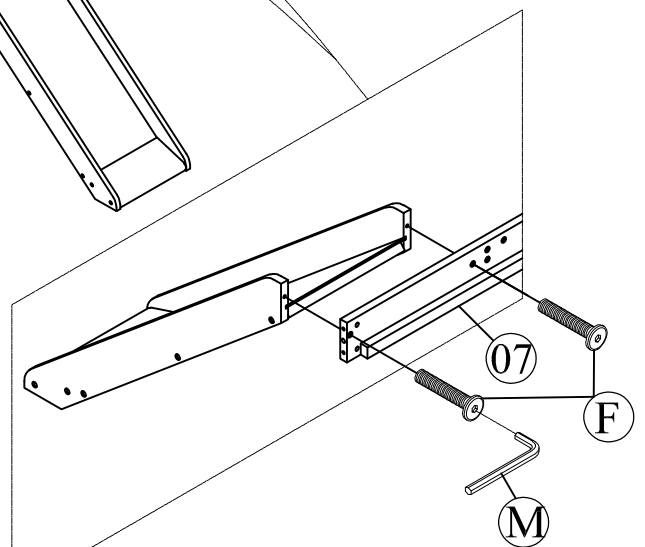
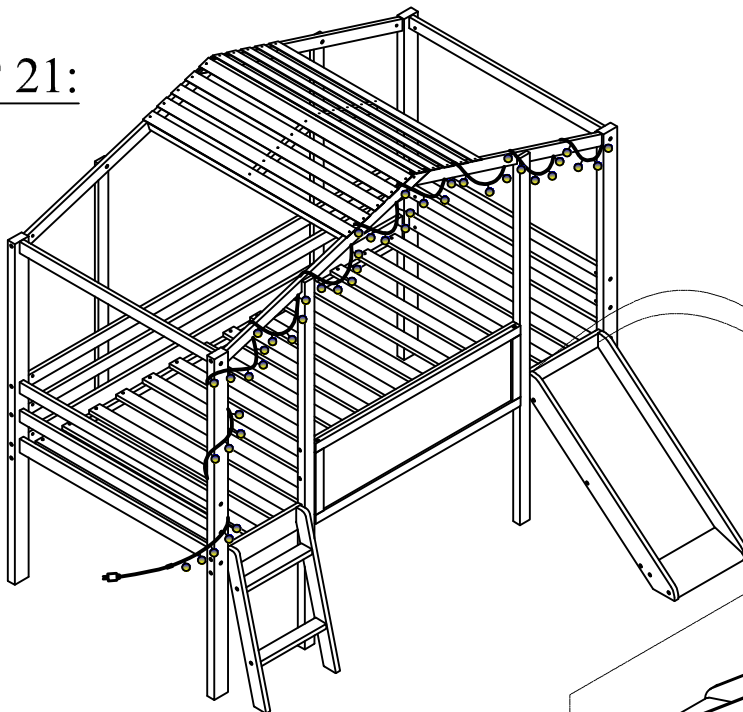
STEP 20:

(A)		08
(C)		10
(M)		01

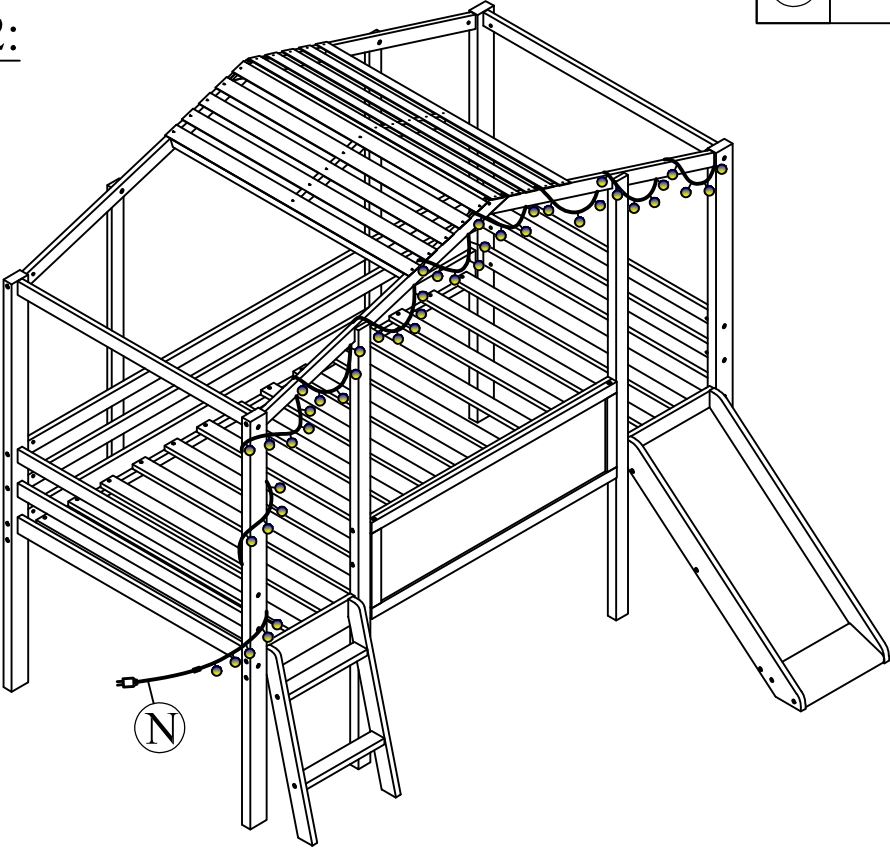


STEP 21:

(F)		02
(M)		01



STEP 22:



Roll the led light around the bed as you like.

FINAL:

