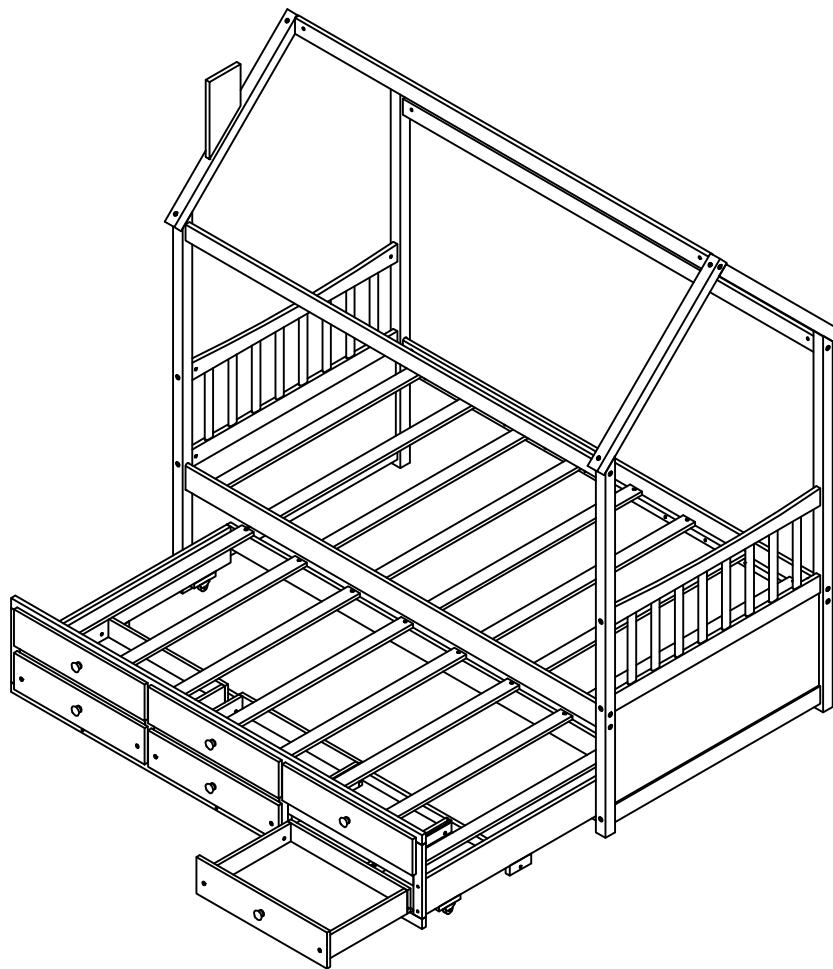


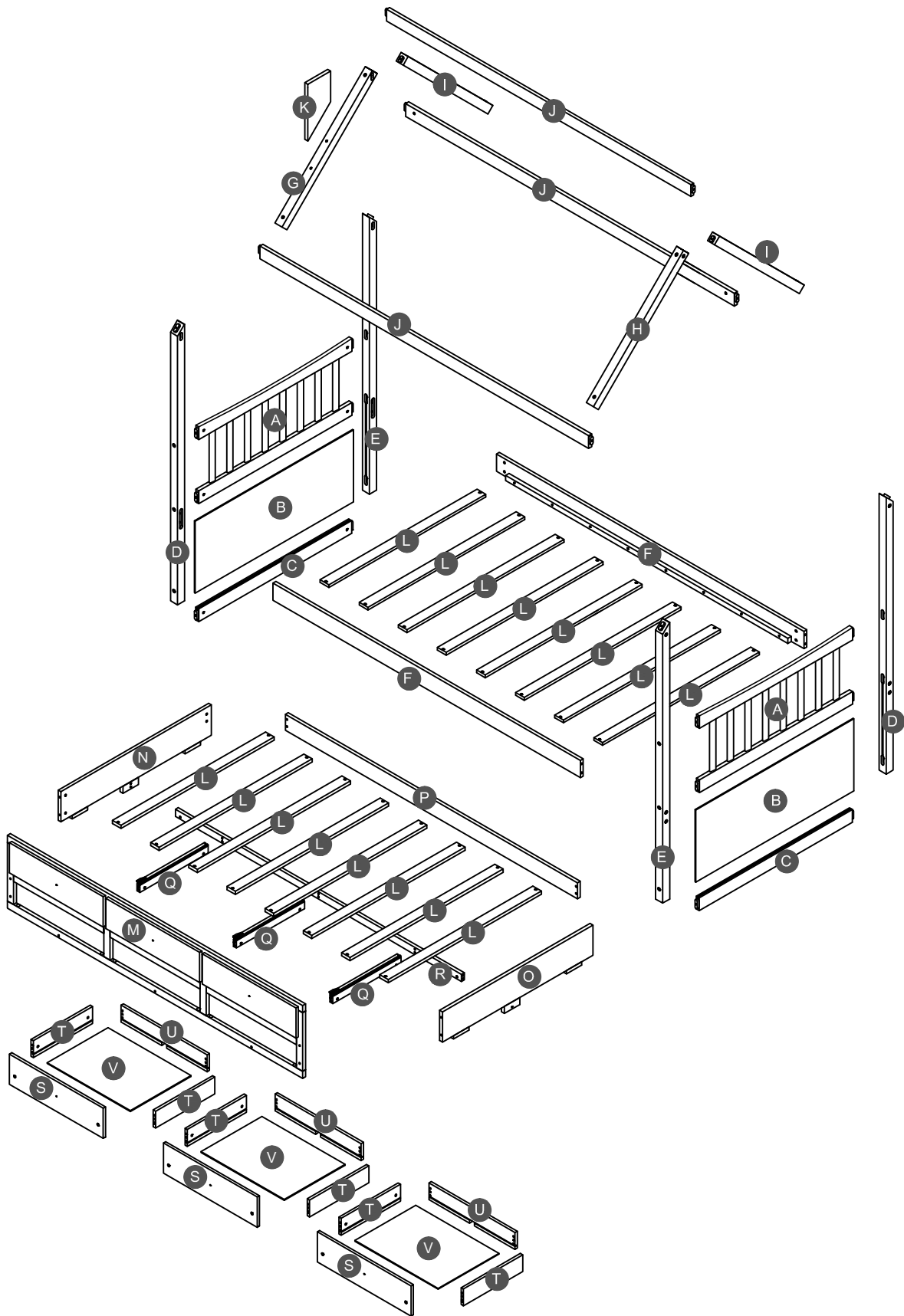
ASSEMBLY INSTRUCTIONS

HOUSE BED WITH TRUNDLE AND 3 STORAGE DRAWERS



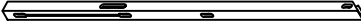
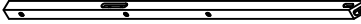


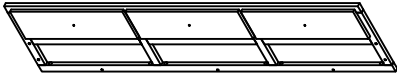


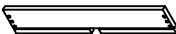
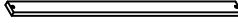
WF288548 \ WF288549

Detail View

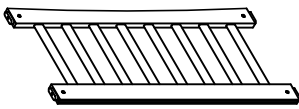


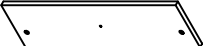
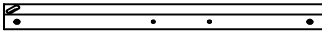
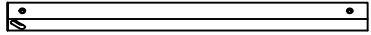
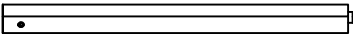
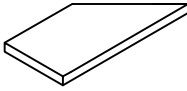




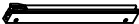


Part List



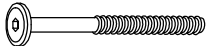
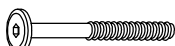




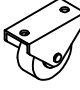





Hardware List WF288548

<p>D</p>  <p>Leg (Left Front / Right back) - 2pcs</p>	<p>E</p>  <p>Leg (Left back / Right Front) - 2pcs</p>	<p>F</p>  <p>Side rail(Back & Front)-2pcs</p>
<p>J</p>  <p>Upper horizontal - 3pcs</p>	<p>M</p>  <p>Front panel of trundle - 1pc</p>	<p>P</p>  <p>Back panel side rail of trundle - 1pc</p>
<p>R</p>  <p>Support rail of trundle - 1pc</p>	<p>U</p>  <p>Back drawer panel - 3pcs</p>	<p>L</p>  <p>Slats - 16pcs</p>

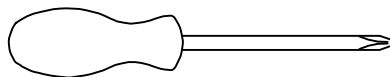
WF288549

<p>A</p>  <p>HB & FB - 2pcs</p>	<p>B</p>  <p>Side panel - 2pcs</p>	<p>C</p>  <p>Horizontal bar - 2pcs</p>
<p>S</p>  <p>Front drawer panel - 3pcs</p>	<p>G</p>  <p>Upper (Left Front) - 1pc</p>	<p>H</p>  <p>Upper (Right Front) - 1pc</p>
<p>I</p>  <p>Upper (Back) - 2pcs</p>	<p>K</p>  <p>Piece of decorate - 1pc</p>	<p>N</p>  <p>Left side panel of trundle - 1pc</p>
<p>O</p>  <p>Right side panel of trundle - 1pc</p>	<p>T</p>  <p>Left / right drawer panel - 6pcs</p>	<p>V</p>  <p>Drawer bottom - 3pcs</p>
<p>Q</p>  <p>Support drawer - 3pcs</p>		

Hardware List

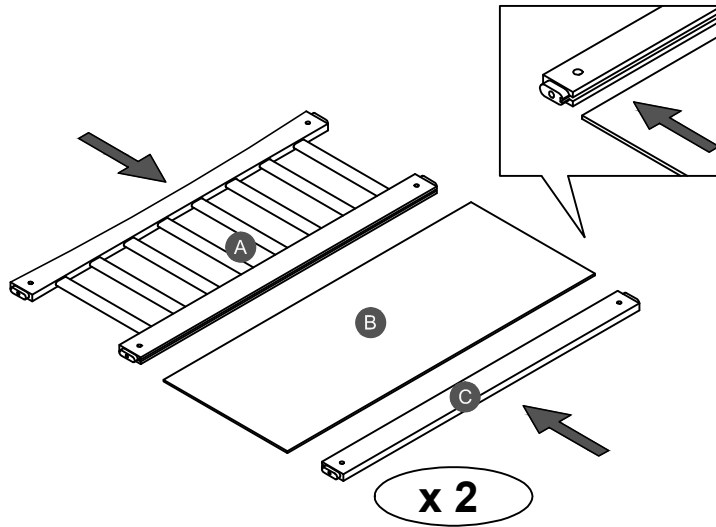
1  Ø8*30mm Wood dowel (26pcs)	2  (Ø15)1/4"*100mm Hex-Head bolts (14pcs)	3  (Ø15)1/4"*80mm Hex-Head bolts (12pcs)
4  (Ø12)1/4"*60mm Hex-Head bolts (28pcs)	5  (Ø12)1/4"*65mm Wood screws (8pcs)	6  1/4"*15 (9.5mm) Horizontal-Hole bolts(54pcs)
7  Ø38*31mm Pine Knob (6pcs)	8  3/16"*25mm Ph zinc(Knob) (6pcs)	9  45*20*35mm Caster (4pcs)
10  400*30mm Upper slider drawer (3pcs)	11  (1/4")4.5*58mm Allen key (1pc)	12  Ø4*30mm Wood screws (32pcs)
13  Ø3.5*19mm Wood screws (8pcs)	14  Ø3.5*12mm Wood screws (9pcs)	

ASSEMBLY TOOLS REQUIRED (NOT INCLUDED)



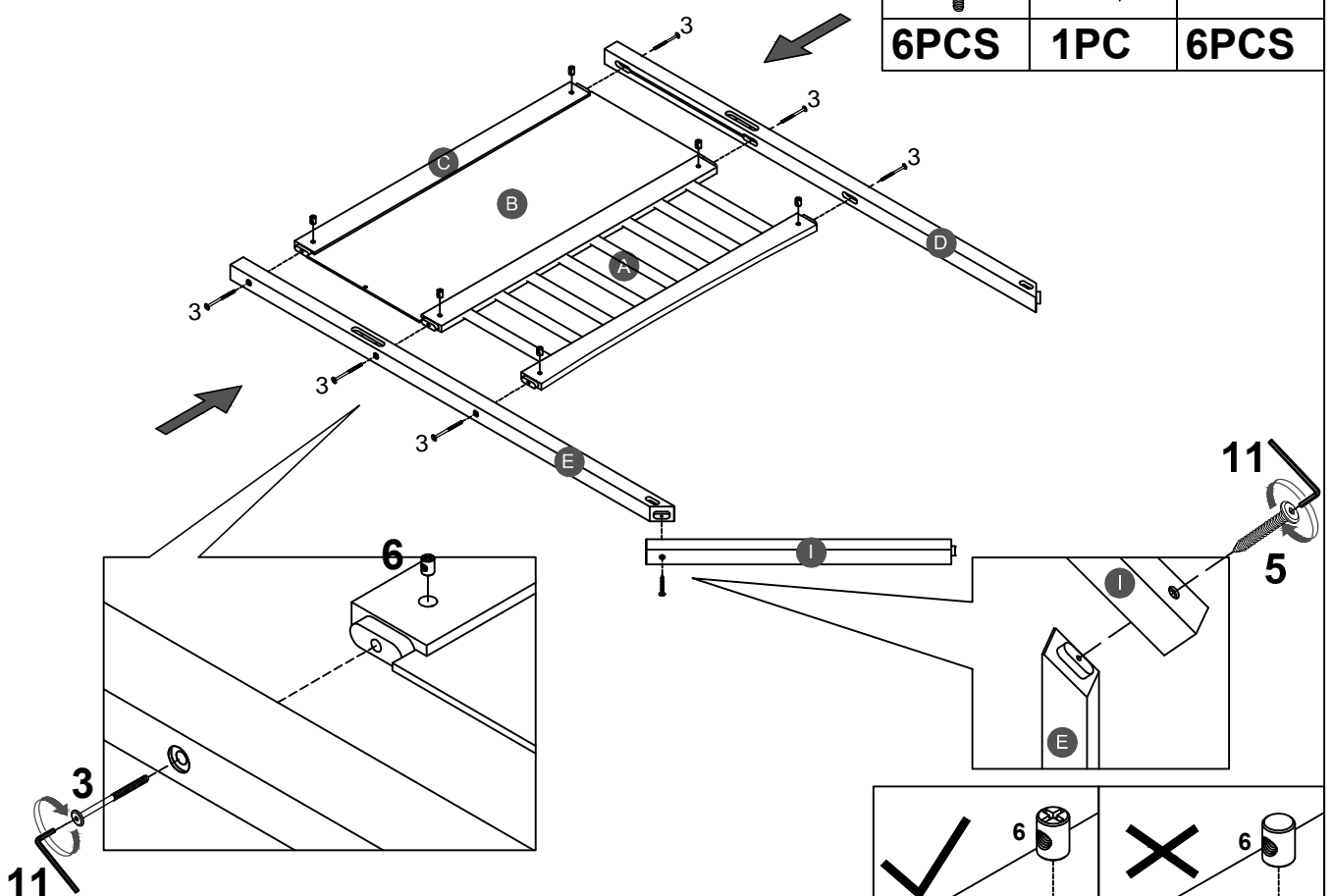
PLEASE BE CAREFUL DO NOT DAMAGE THE HOLE POSITION WHEN YOU USE POWER TOOLS !

STEP 1:



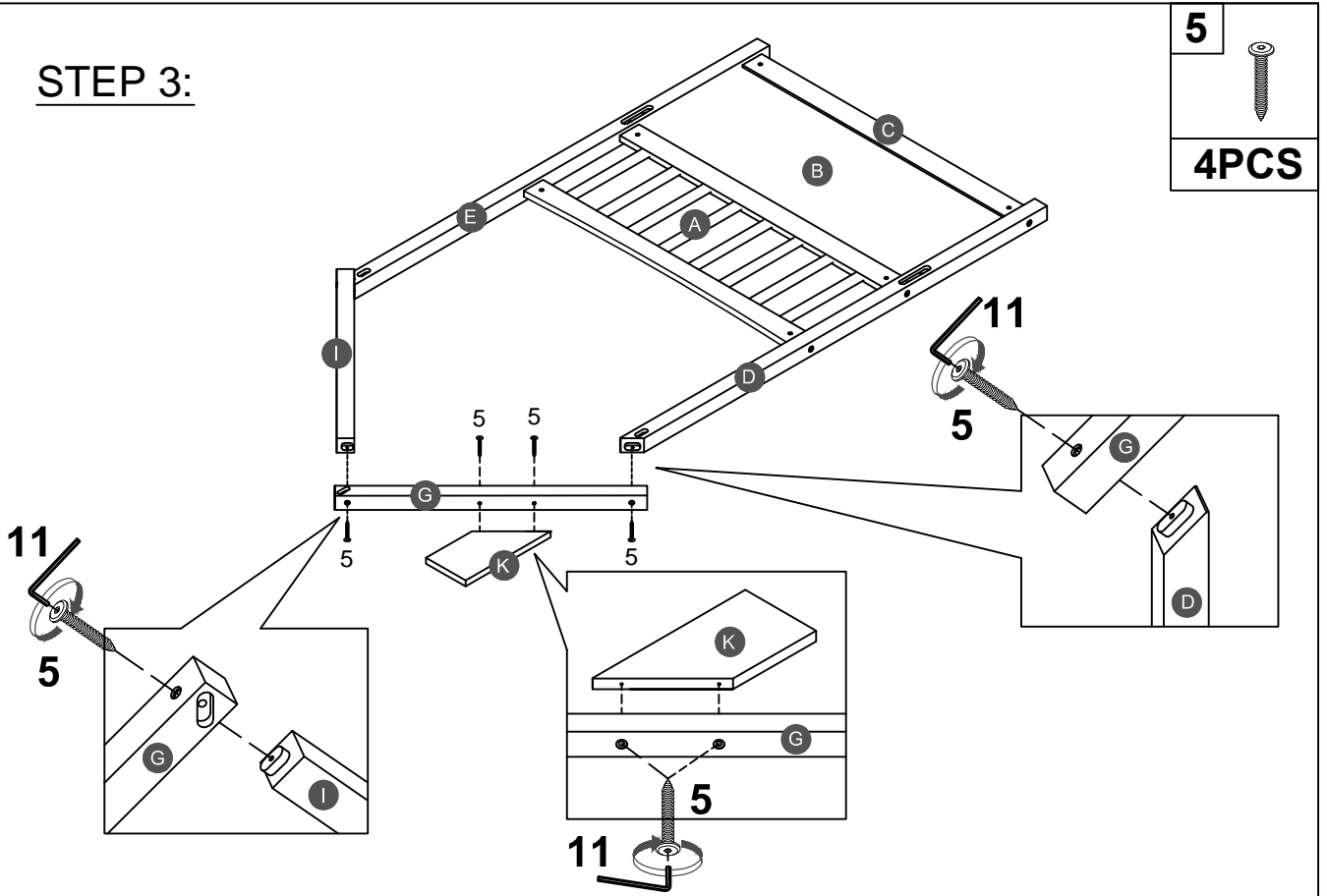
STEP 2:

3		5		6	
6PCS		1PC		6PCS	

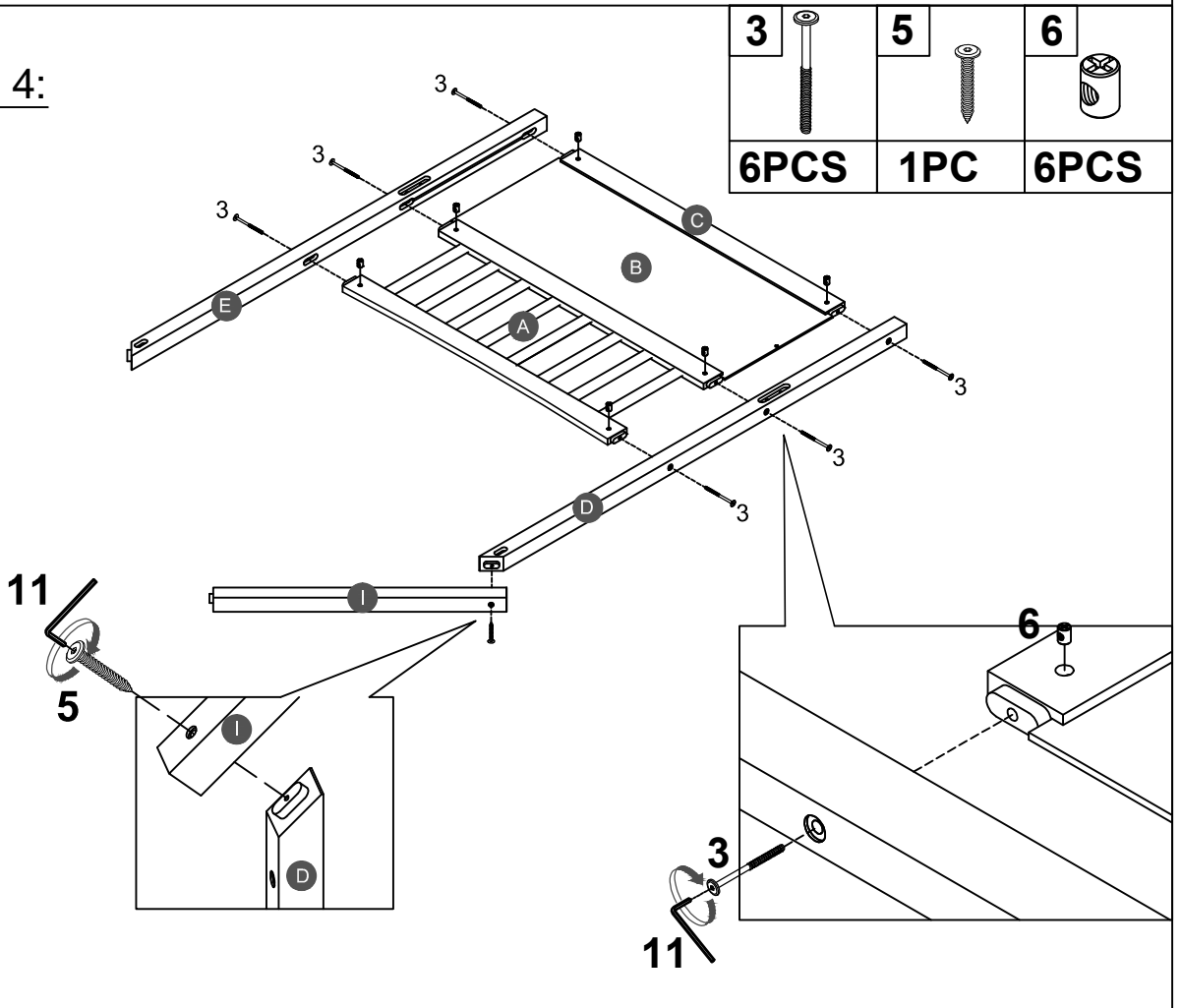


Note: Part 6 will face up with the "x" mark on it, otherwise it cannot be tightened


STEP 3:

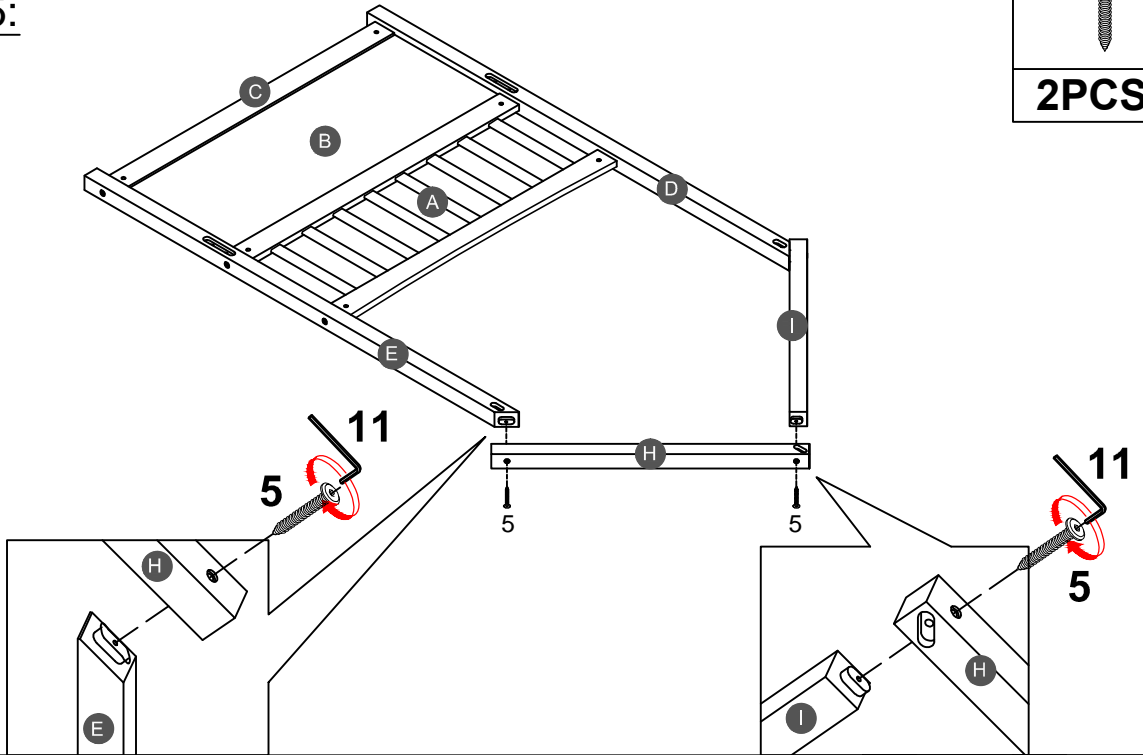


STEP 4:





STEP 5:

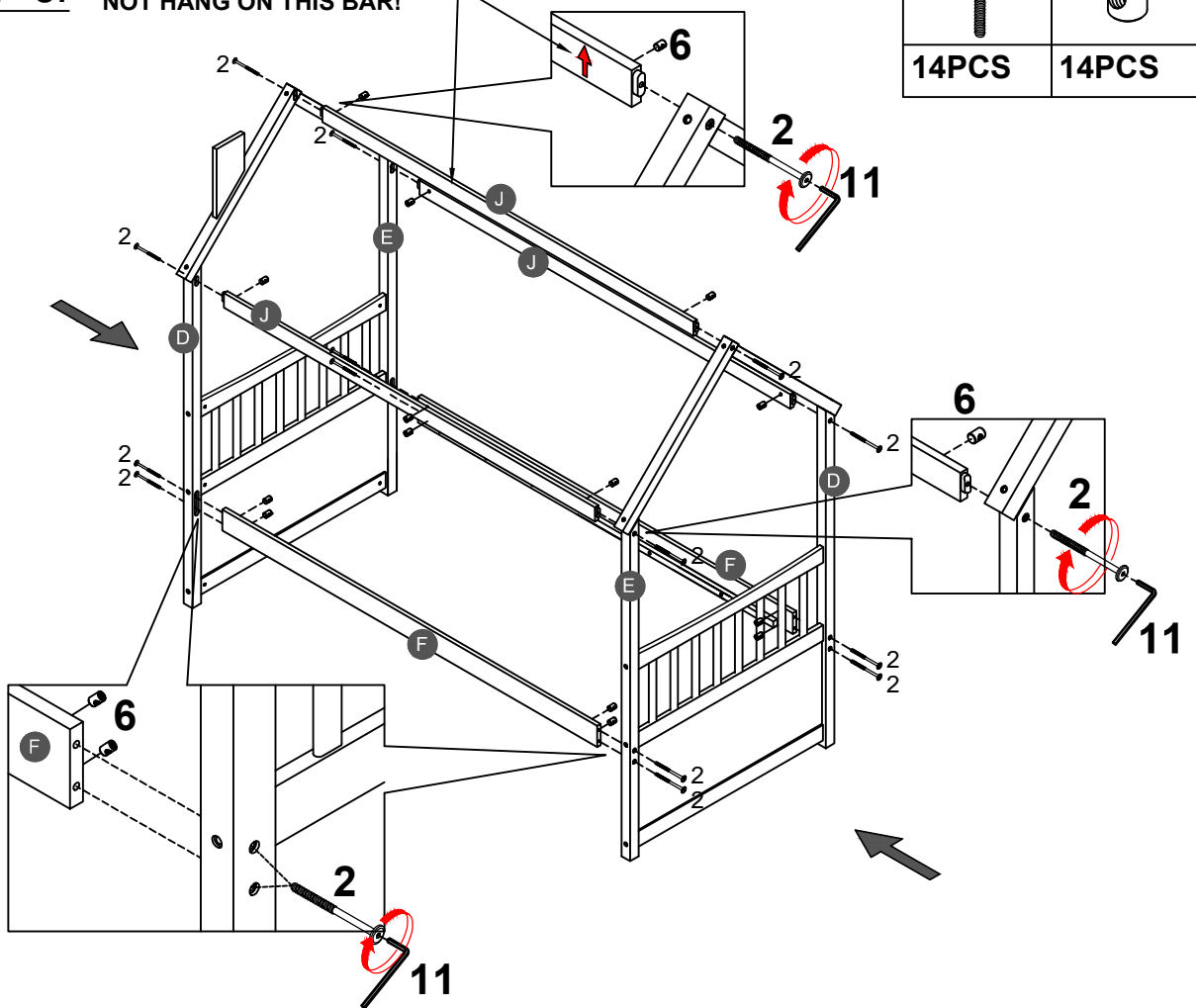
5	
2PCS	



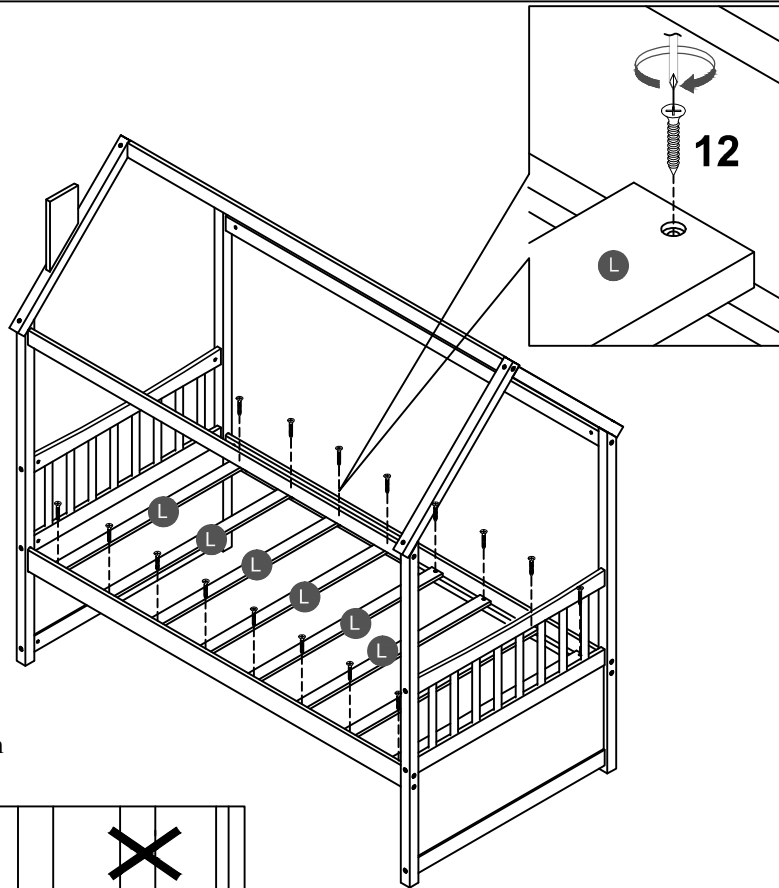
STEP 6:

Remark: Upper horizontal paste stickers WARNING: DO NOT HANG ON THIS BAR!

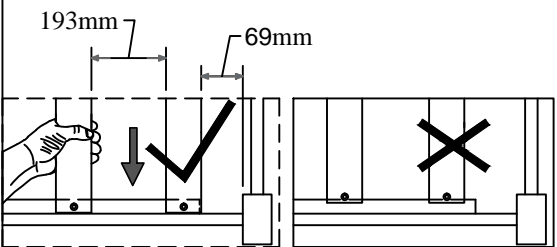
2		6	
14PCS		14PCS	



STEP 7:

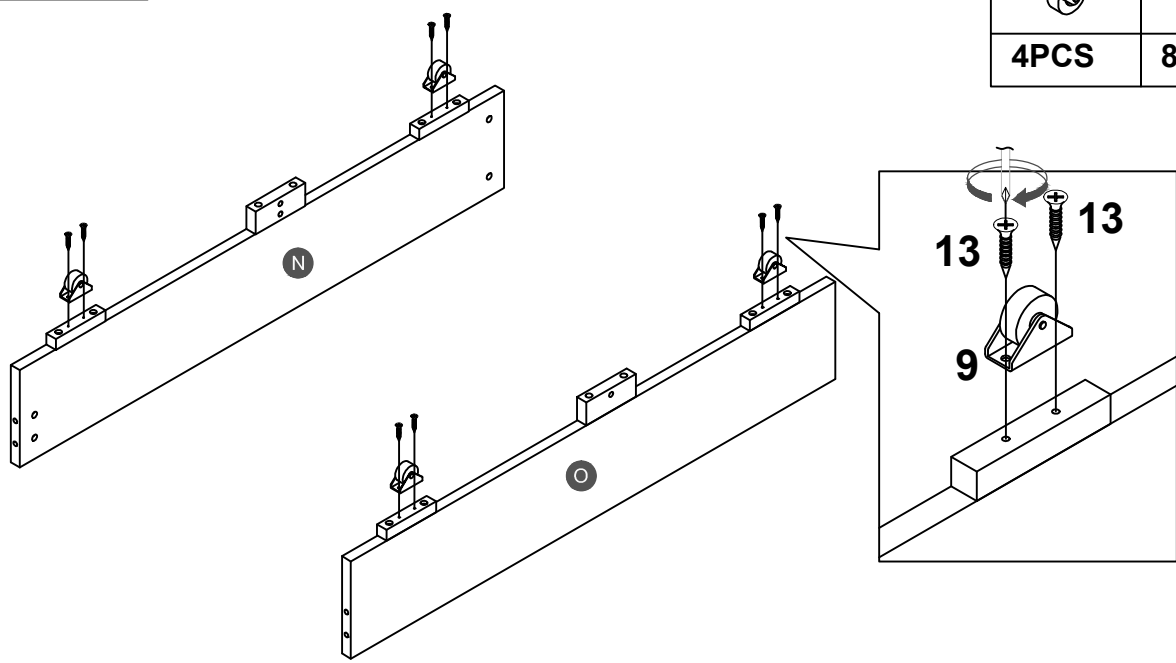


12	
16PCS	






Note: Do not lock the screws of the bed slats to the outermost edge of the bed slats, you need to leave a certain space at the edges, otherwise it will cause the board to break. Do not lock the bed slats on the edge of the wood, please hold firmly before screwing, hold it in place with one hand, then lock the screw.

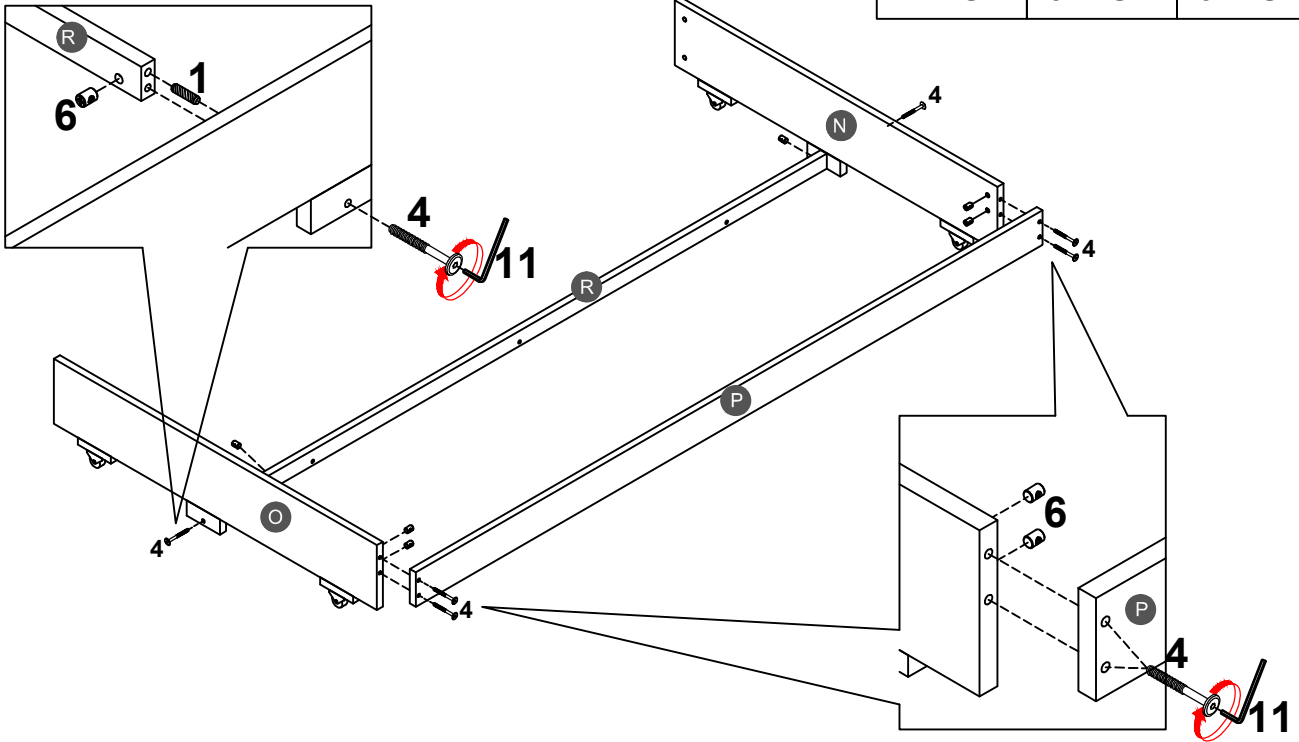
STEP 8:





9	13
4PCS	8PCS

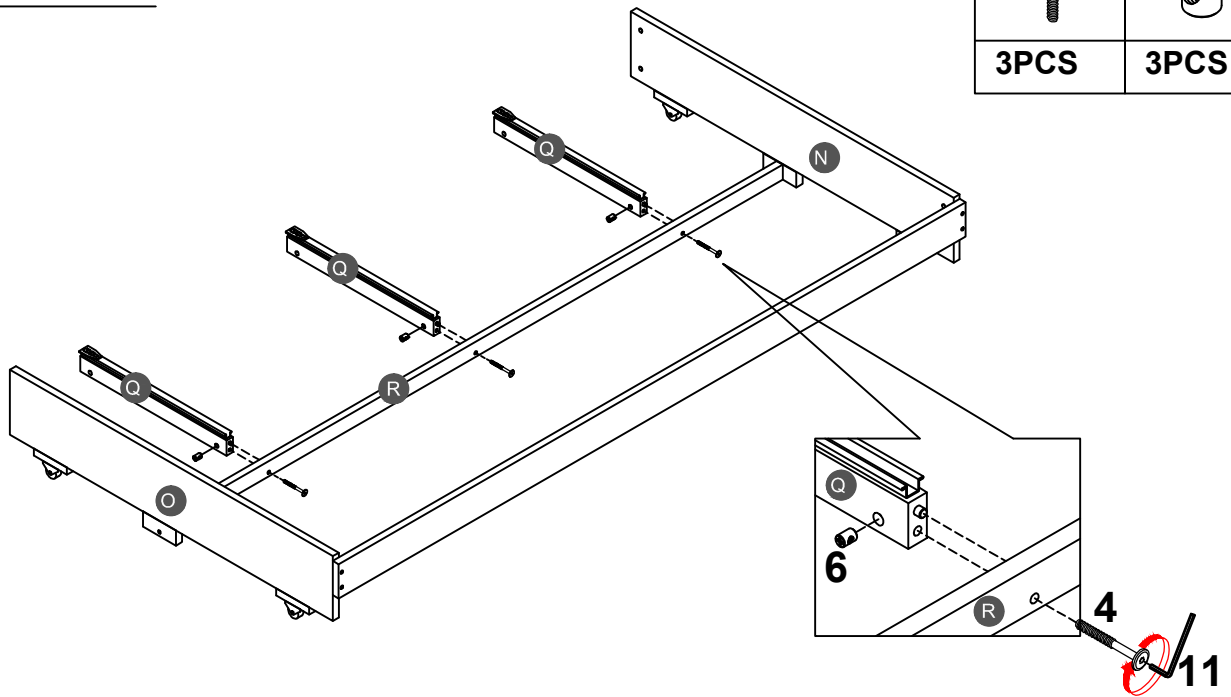
STEP 9:

1		4		6	
2PCS		6PCS		6PCS	

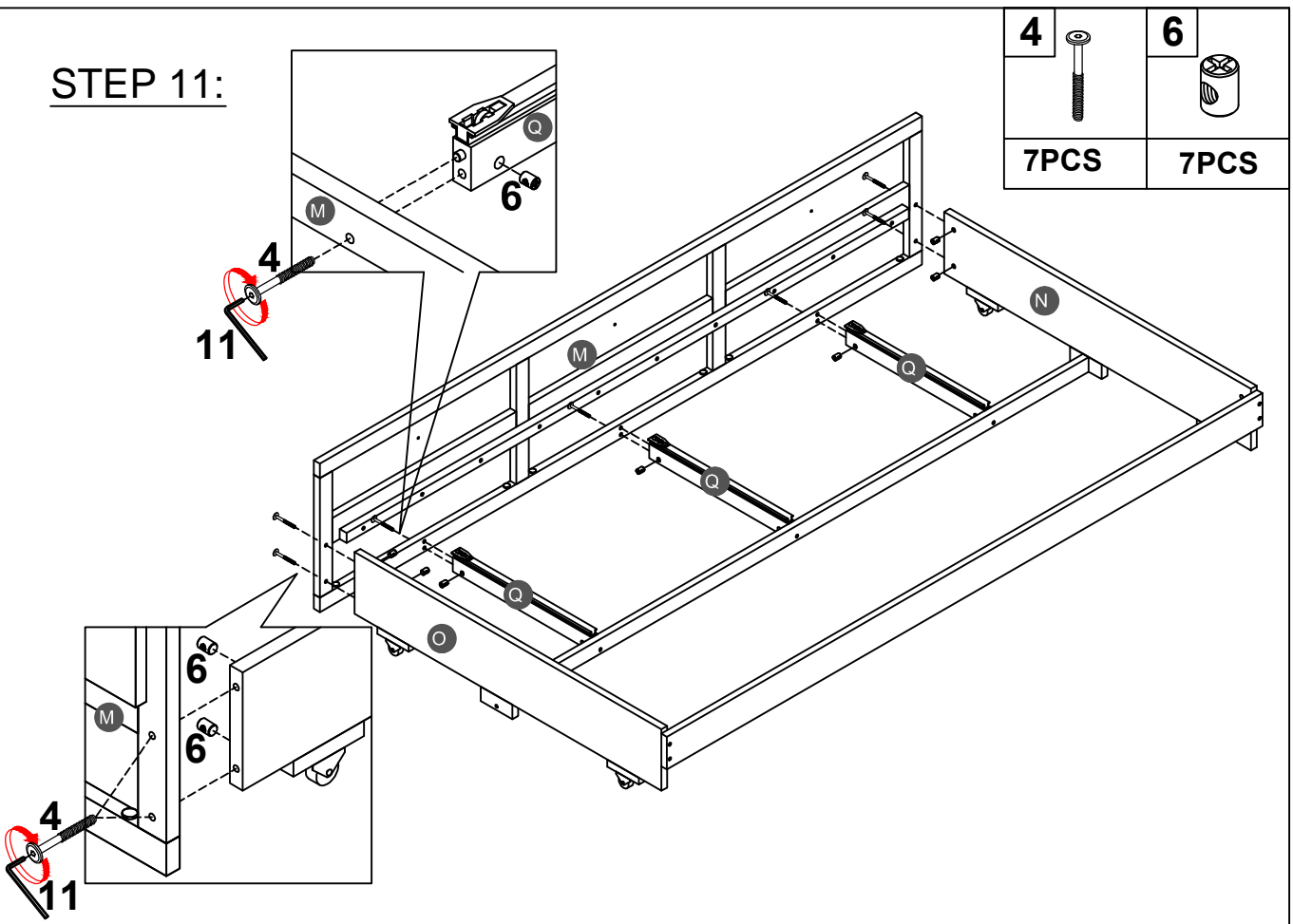


STEP 10:

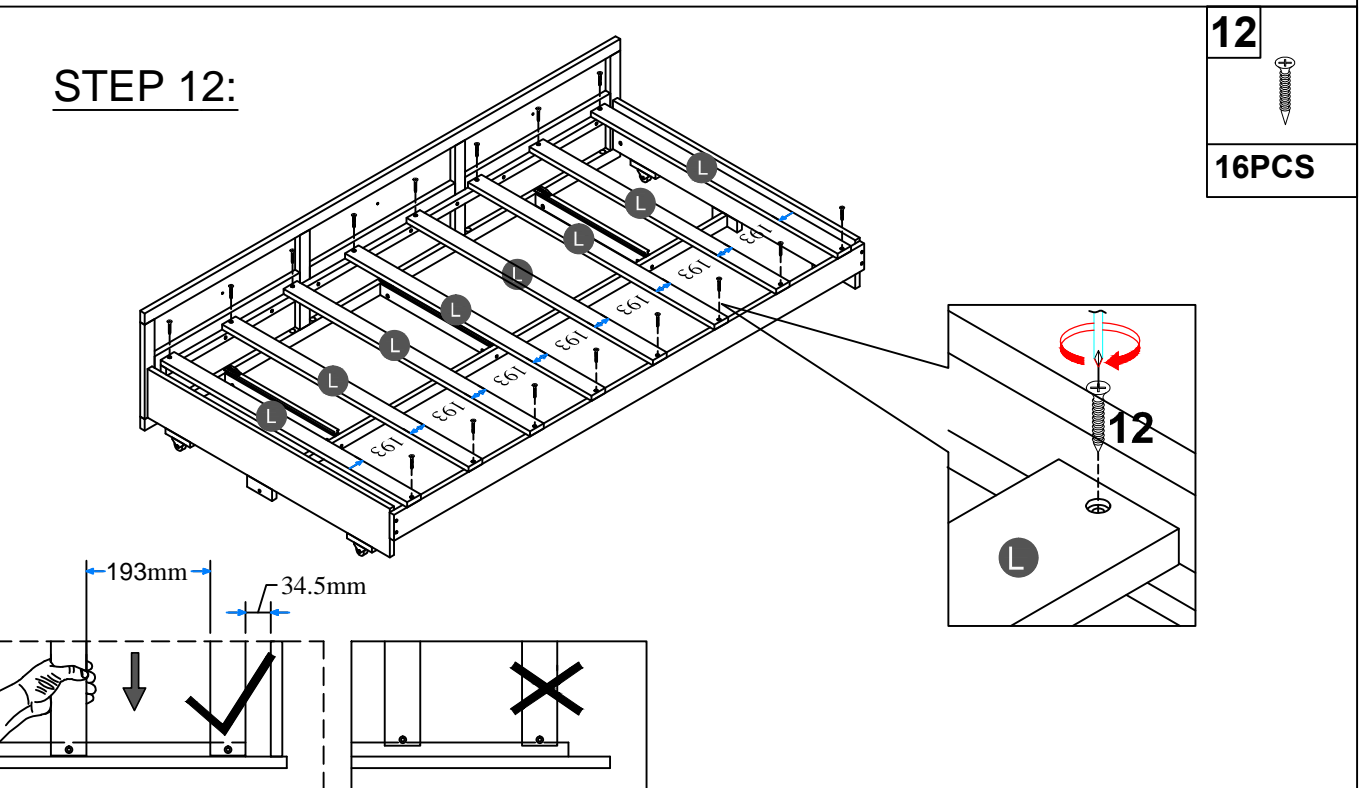
4		6	
3PCS		3PCS	



STEP 11:

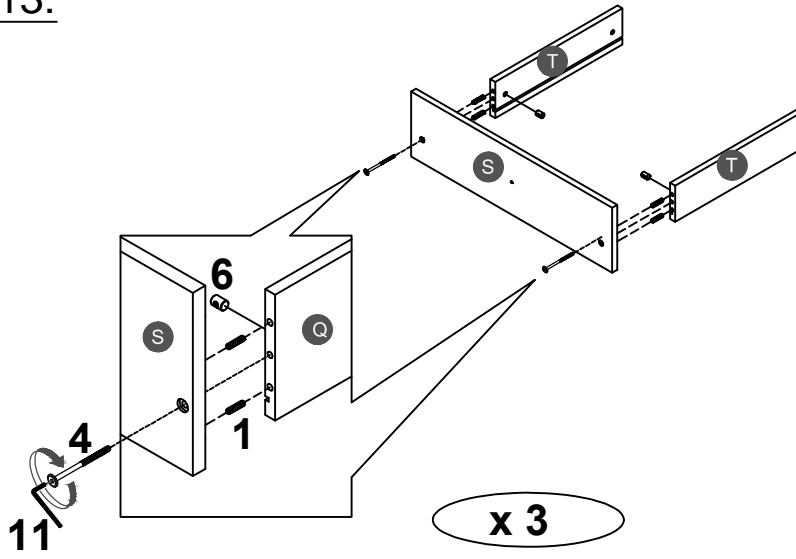


STEP 12:



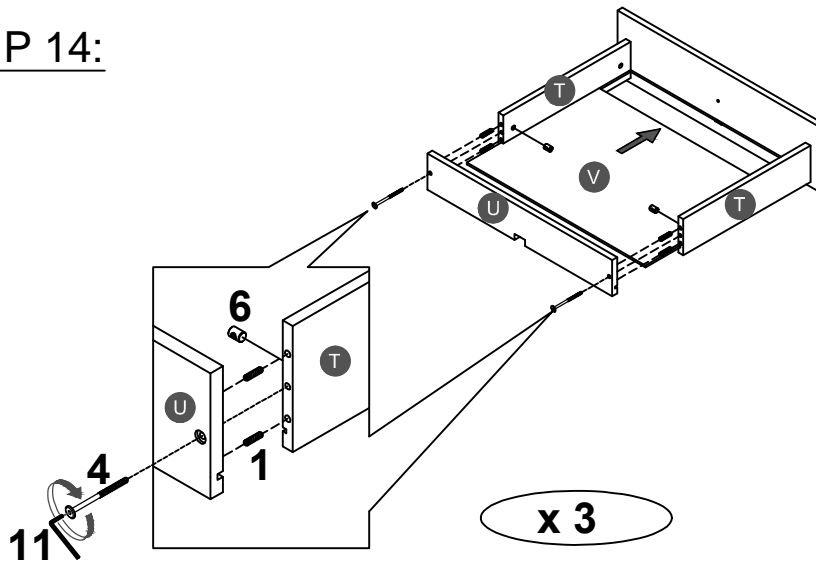
Note: Do not lock the screws of the bed slats to the outermost edge of the bed slats, you need to leave a certain space at the edges, otherwise it will cause the board to break.
Do not lock the bed slats on the edge of the wood, please hold firmly before screwing , hold it in place with one hand, then lock the screw.

STEP 13:



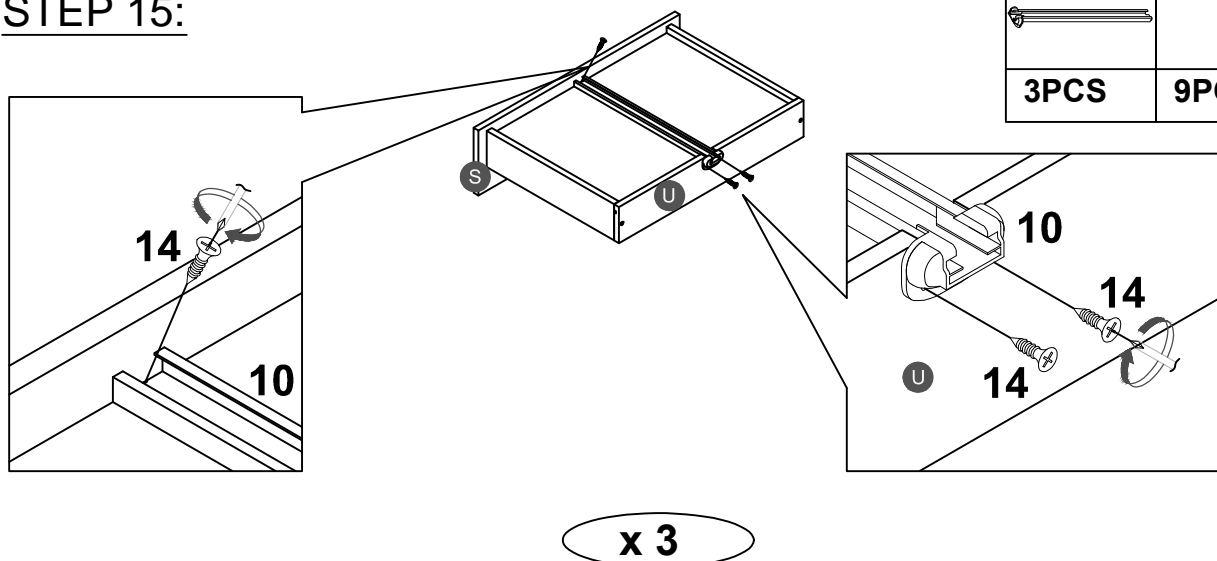
1		6	
12PCS		6PCS	
4		6PCS	

STEP 14:



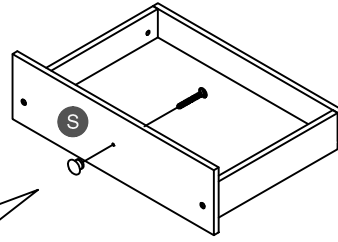
1		6	
12PCS		6PCS	
4		6PCS	

STEP 15:

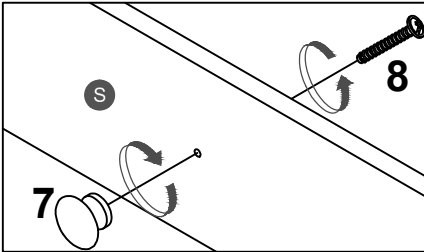


10		14	
3PCS		9PCS	

STEP 16:

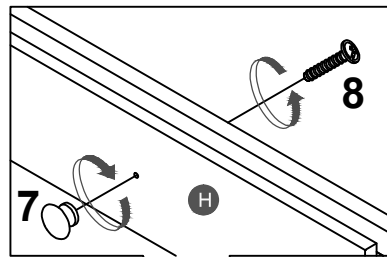


7	8
3PCS	3PCS

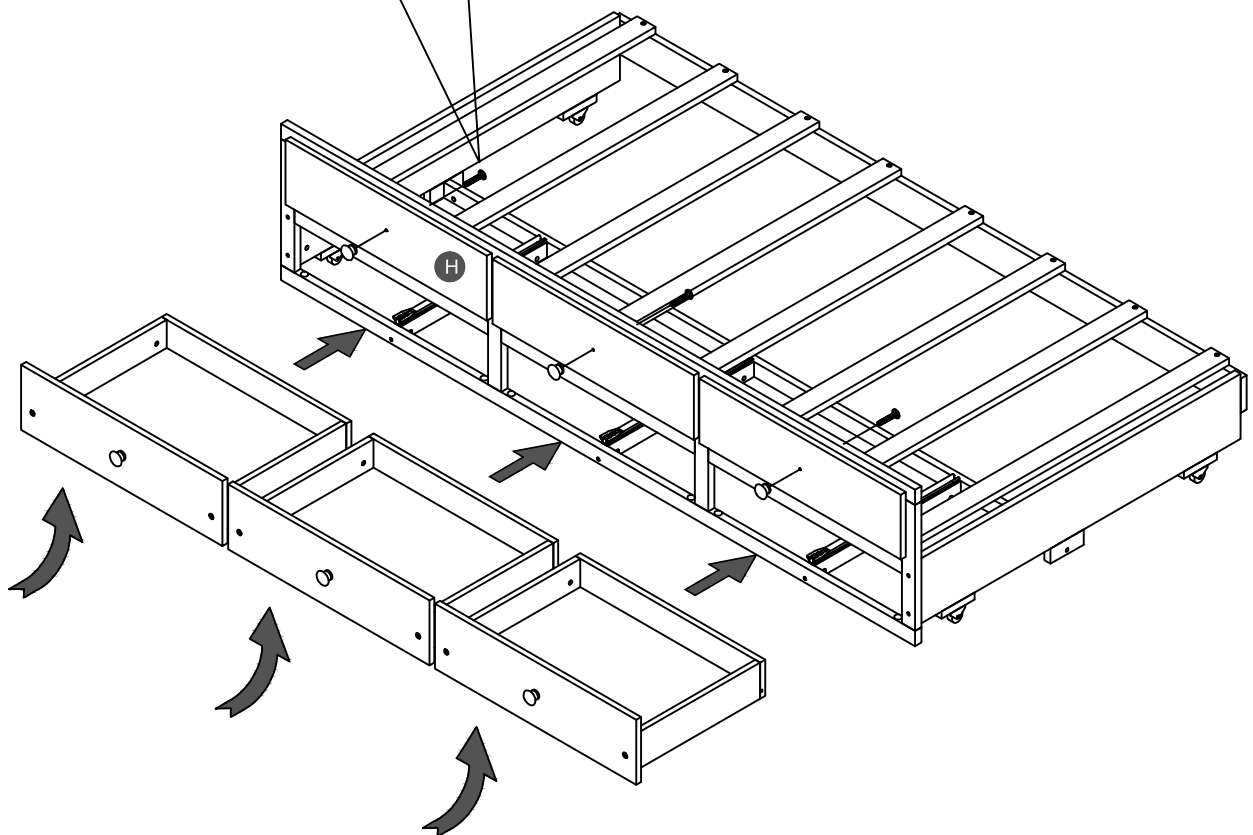


x 3

STEP 17:

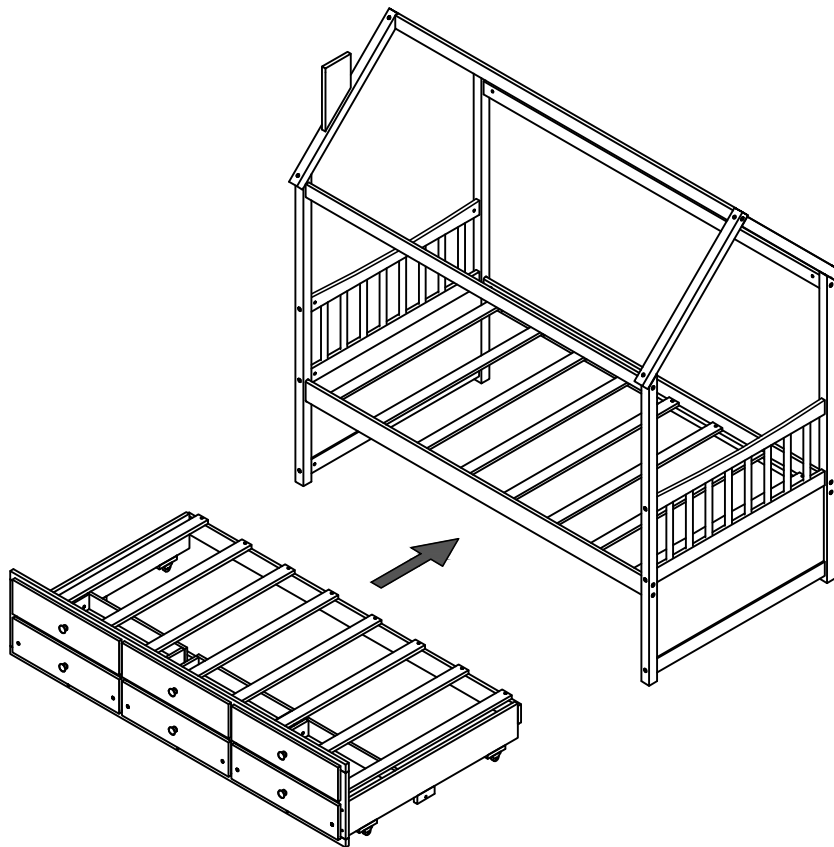


7	8
3PCS	3PCS

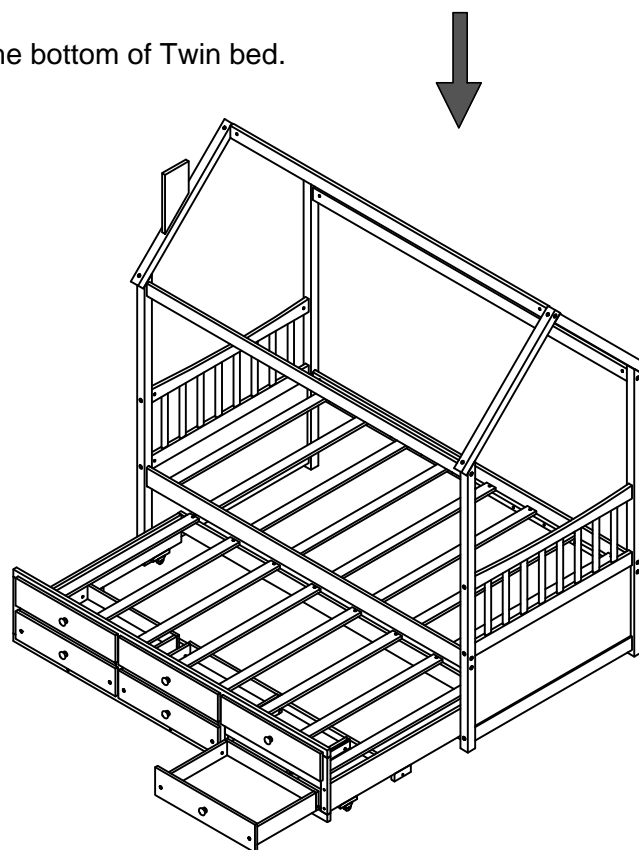


Remark: When opening or closing the drawer, Please lift the drawer slightly before opening or closing it.

STEP 18:



Push Trundle under the bottom of Twin bed.



Make sure to tighten all the screws of the bed.