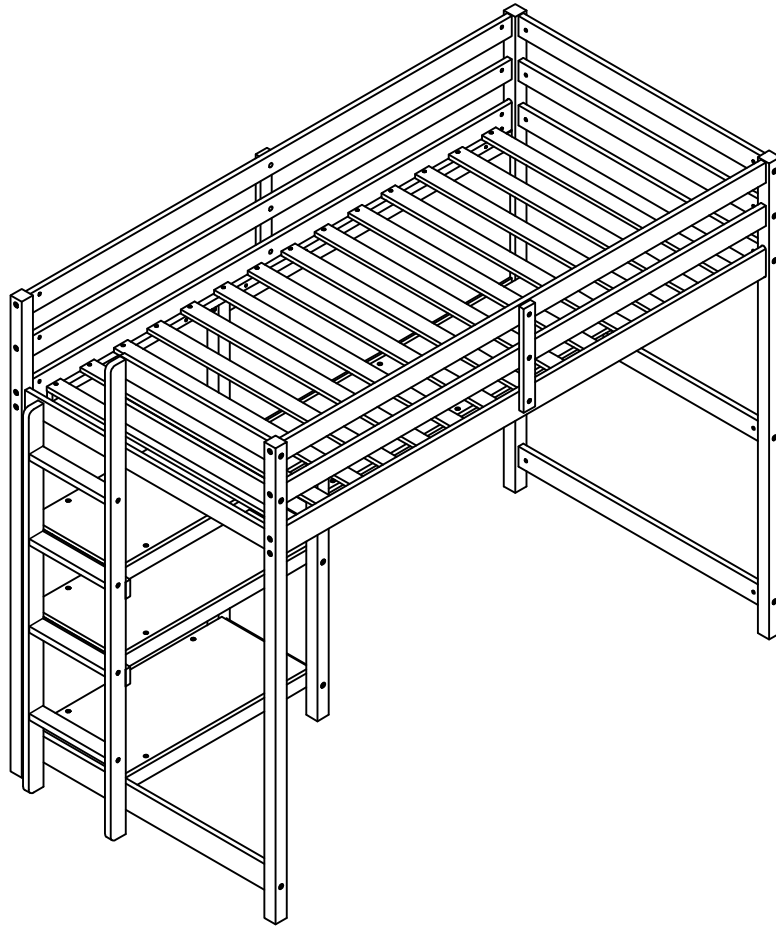


ASSEMBLY INSTRUCTIONS

LOFT BED WITH SHELF AND DESK



WF303296/WF303297



SAFETY WARNING



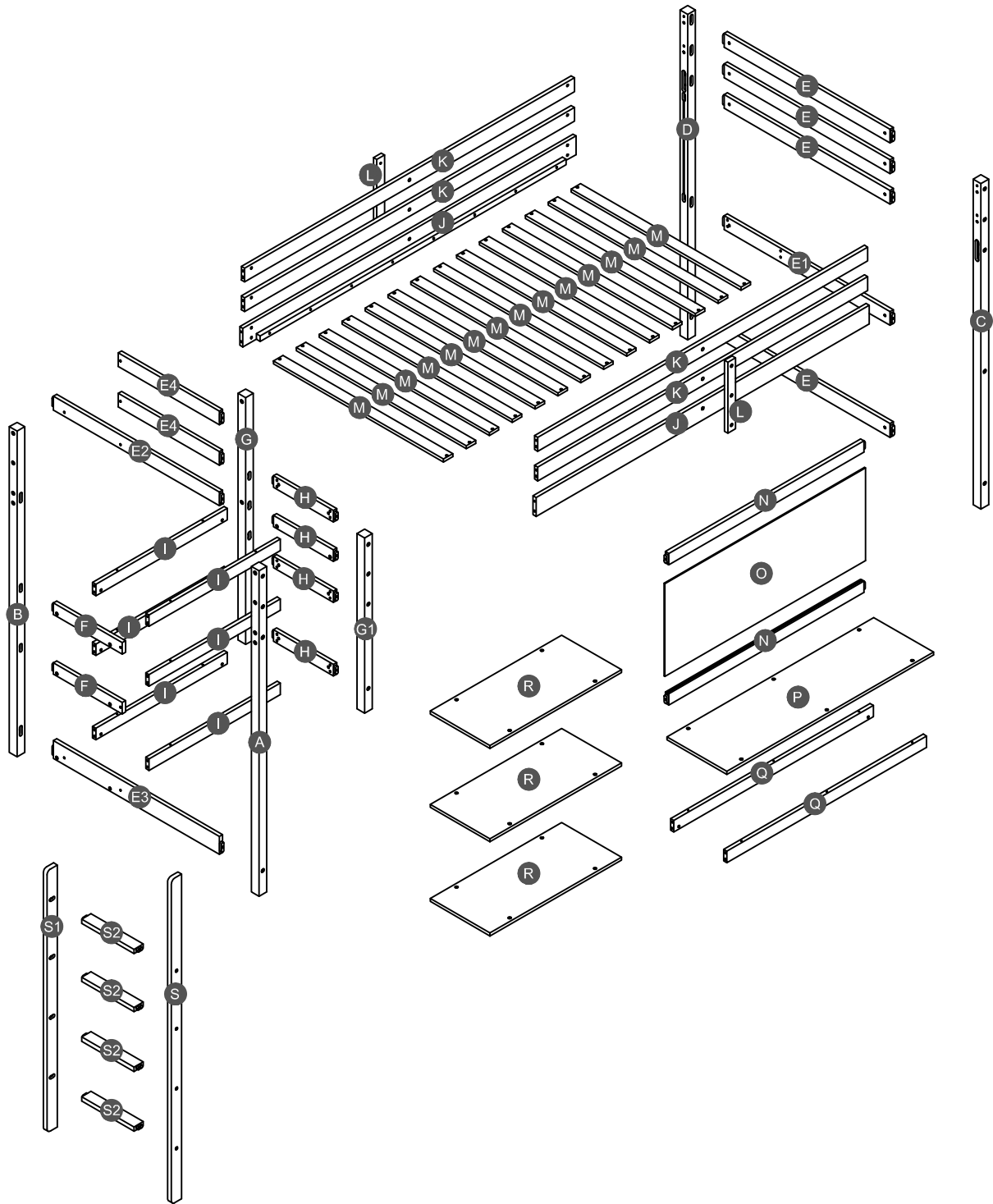
1. This bed is designed for use only mattress (es) meeting the following specifications on the upper bunk, and lower bunk:

Upper bunk (Bunk bed and tribed included)

Bed type	Length	With	Thickness
Twin Standard	74"-75"	38 1/2"	6"

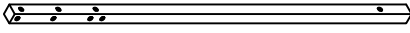

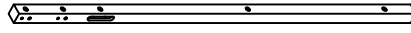
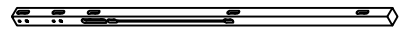

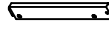
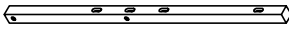
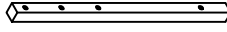
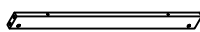



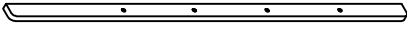
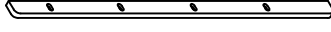
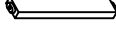
2. Replacement parts, including additional guardrails, maybe obtained from any of our (GIGACLOUD TECHNOLOGY (USA) INC.) dealers
3. Follow the information on the warnings appearing on the upper bunk bed end structure and on the carton. Do not remove warning label from bed.
4. Always use the recommended size mattresses or mattress supports, or both, to help prevent the likelihood of entrapment or falls.
5. Surface of mattress must be at least 5" (127mm) below the upper edge of guardrails.
6. Do not allow children under 6 years of age to use the upper bunk.
7. Periodically check and ensure that the guardrail, ladder, and other components are in their proper position, free from damage, and that all connectors are tight.
8. Do not allow horseplay on or under the bed and prohibit jumping on the bed.
9. Always use the ladder for entering and leaving the upper bunk.
10. Do not use substitute part. Contact the manufacture or dealer for replacement part.
11. Use of a night light may provide added safety precaution for a child using the upper bunk.
12. Always use guardrails on both long sides of the upper bunk. If the bunk bed will be placed next to the wall, the guardrail that runs the full length of the bed should be placed against the wall to prevent entrapment between the bed and wall.
13. The use of water or sleep flotation mattresses is prohibited.
14. STRANGULATION HAZARD - Never attach or hang items to any part of the bunk bed that are not designed for use with the bed; for example, but not limited to, hook, belts and jump ropes.
15. Keep these instruction for future reference.
16. Prohibit more than one person on upper bunk
17. We recommend assembling your bunk bed on the shipping carton to protect your floor or carpet.
18. Be certain all staples are out of the box before beginning assembly on the shipping carton.

Detail View



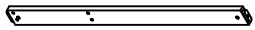
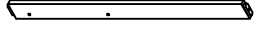
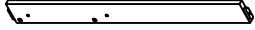
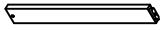
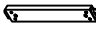
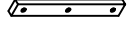
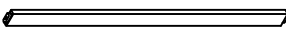
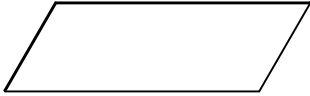
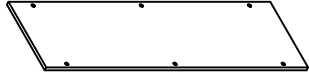
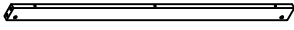

Part List

Hardware List WF303296

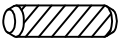
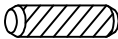
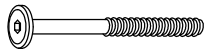
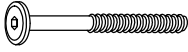



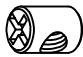



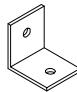

<p>A</p>  <p>Leg (Left Front) - 1pc</p>	<p>B</p>  <p>Leg (Left Back) - 1pc</p>	<p>C</p>  <p>Leg (Right Front) - 1pc</p>
<p>D</p>  <p>Leg (Right Back) - 1pc</p>	<p>E</p>  <p>Horizontal bar HB - 4pcs</p>	<p>F</p>  <p>Support FB - 2pcs</p>
<p>G</p>  <p>Leg (Front) - 1pc</p>	<p>G1</p>  <p>Leg (Back) - 1pc</p>	<p>I</p>  <p>Horizontal bar (Front/Back) - 6pcs</p>
<p>J</p>  <p>Side rail - 2pcs</p>	<p>K</p>  <p>Long guard rail - 4pcs</p>	<p>M</p>  <p>Slat - 14pcs</p>
<p>S</p>  <p>Long ladder (right) - 1pc</p>	<p>S1</p>  <p>Short ladder (left) - 1pc</p>	<p>S2</p>  <p>Step ladder - 4pcs</p>

Part List

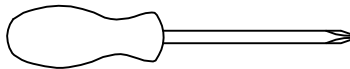
WF303297

<p>E1</p>  <p>Divider horizontal bar HB - 1pc</p>	<p>E2</p>  <p>Upper horizontal bar FB - 1pc</p>	<p>E3</p>  <p>Lower horizontal bar FB - 1pc</p>
<p>E4</p>  <p>Upper horizontal bar FB - 2pcs</p>	<p>H</p>  <p>Horizontal bar - 4pcs</p>	<p>L</p>  <p>Vertical guard rail - 2pcs</p>
<p>N</p>  <p>Horizontal bar (Back) - 2pcs</p>	<p>O</p>  <p>Back panel - 1pc</p>	<p>P</p>  <p>Top panel - 1pc</p>
<p>Q</p>  <p>Lower horizontal bar - 2pcs</p>	<p>R</p>  <p>Shelf panel - 3pcs</p>	

Hardware List WF303296



1  Ø10*40mm Wood dowel (8pcs)	2  Ø8*30mm Wood dowel (16pcs)	3  (Ø15)1/4"*100mm Hex-Head bolts (16pcs)
4  (Ø15)1/4"*80mm Hex-Head bolts (30pcs)	5  (Ø12)1/4"*60mm Hex-Head bolts (24pcs)	6  (Ø12)1/4"*40mm Hex-Head bolts (8pcs)
7  (Ø12)1/4"*30mm Hex-Head bolts (6pcs)	8  1/4"*15 (9.5mm) Horizontal-Hole bolts(70pcs)	9  (Ø12)1/4"*40mm Hex-Head bolts (18pcs)
10  Ø4*30mm Wood screws (28pcs)	11  (1/4")4.5*58mm Allen key (1pc)	12  24*28*28*2mm Metal bracket (1pc)
13  Ø3.5*15mm Wood screws (2pcs)		

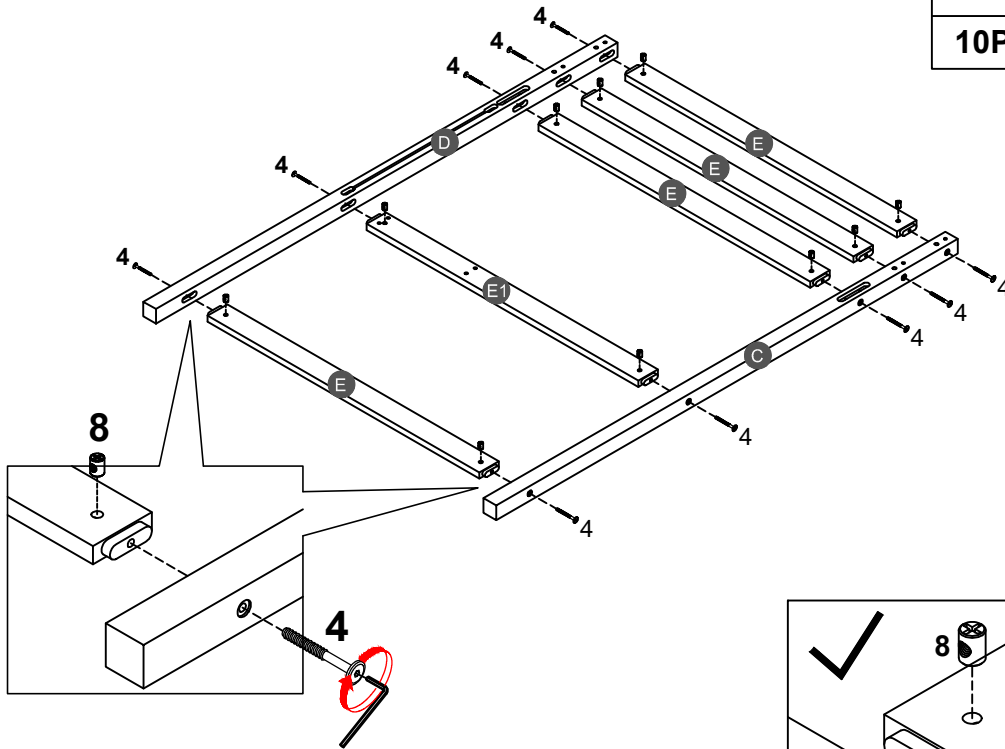
ASSEMBLY TOOLS REQUIRED (NOT INCLUDED)



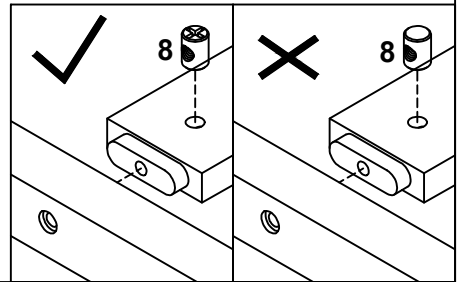
PLEASE BE CAREFUL DO NOT DAMAGE THE HOLE POSITION WHEN YOU USE POWER TOOLS !

STEP 1:



4		8	
10PCS		10PCS	

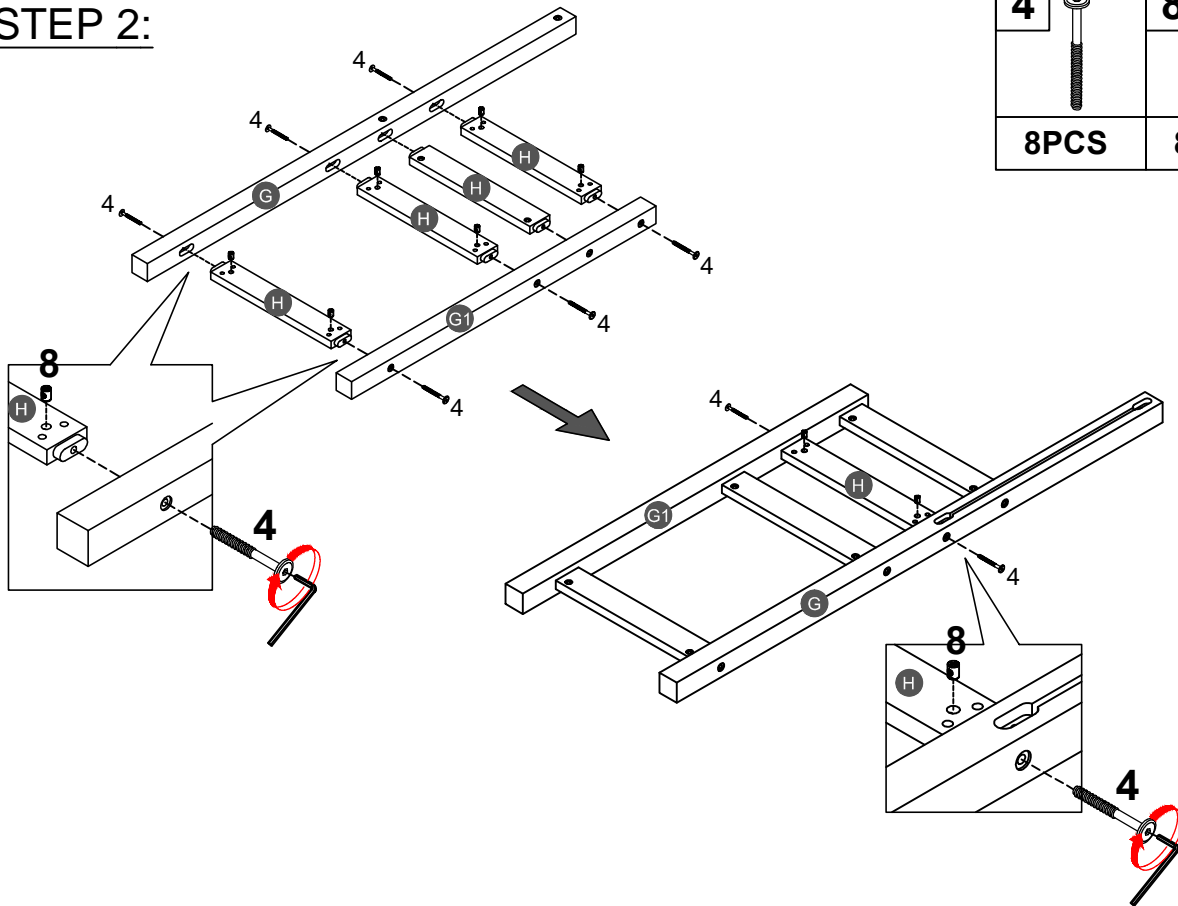


Note: Part 8 will face up with the "x" mark on it, otherwise it cannot be tightened

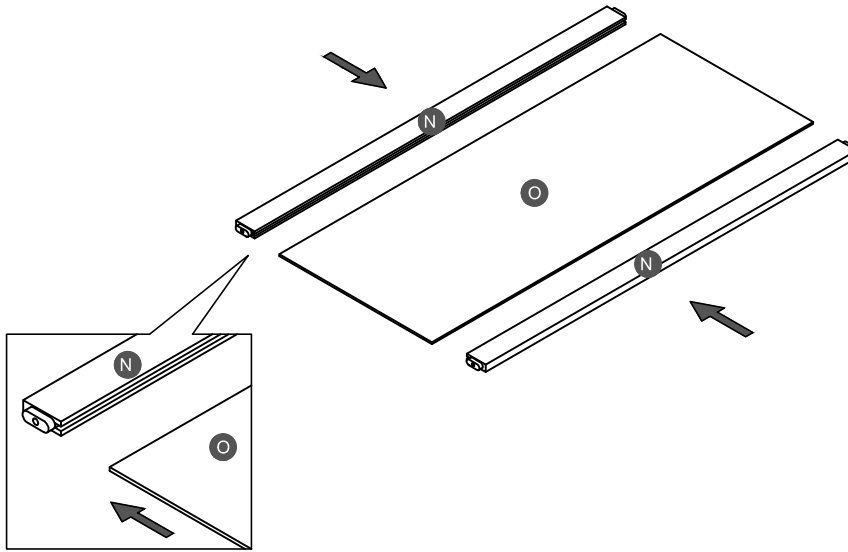


STEP 2:

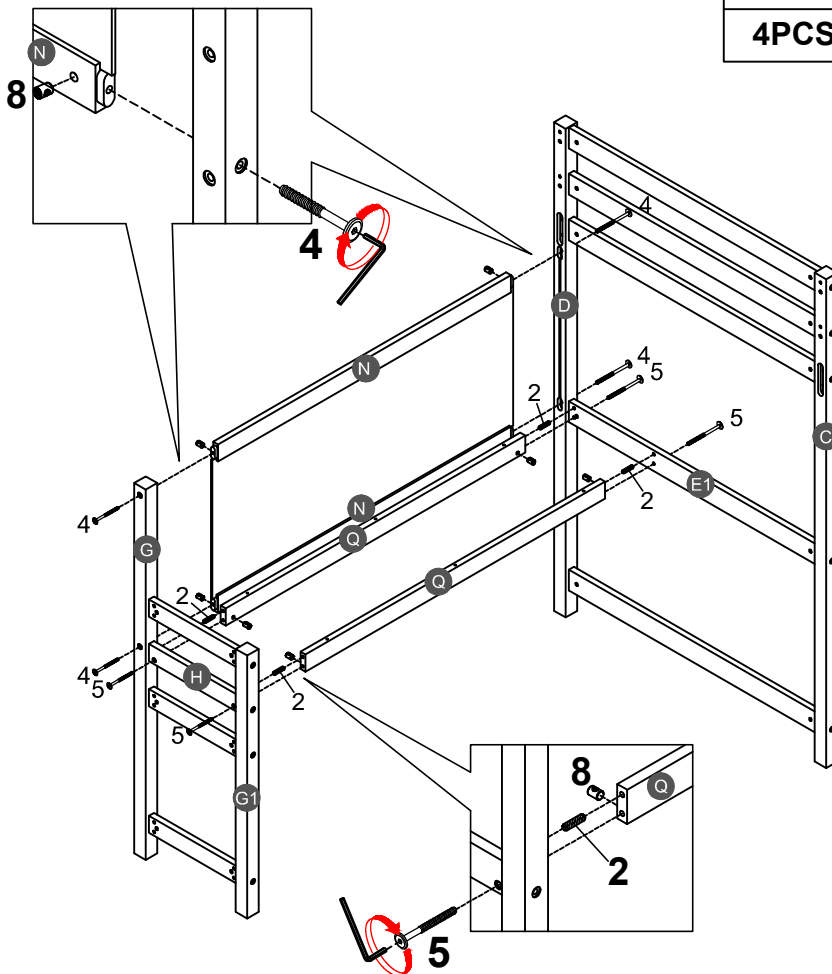
4		8	
8PCS		8PCS	







STEP 3:





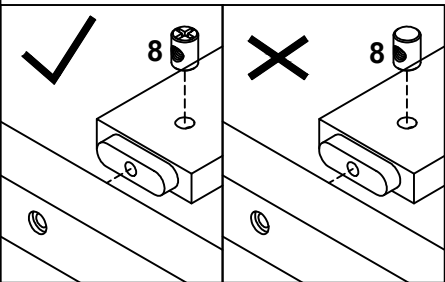
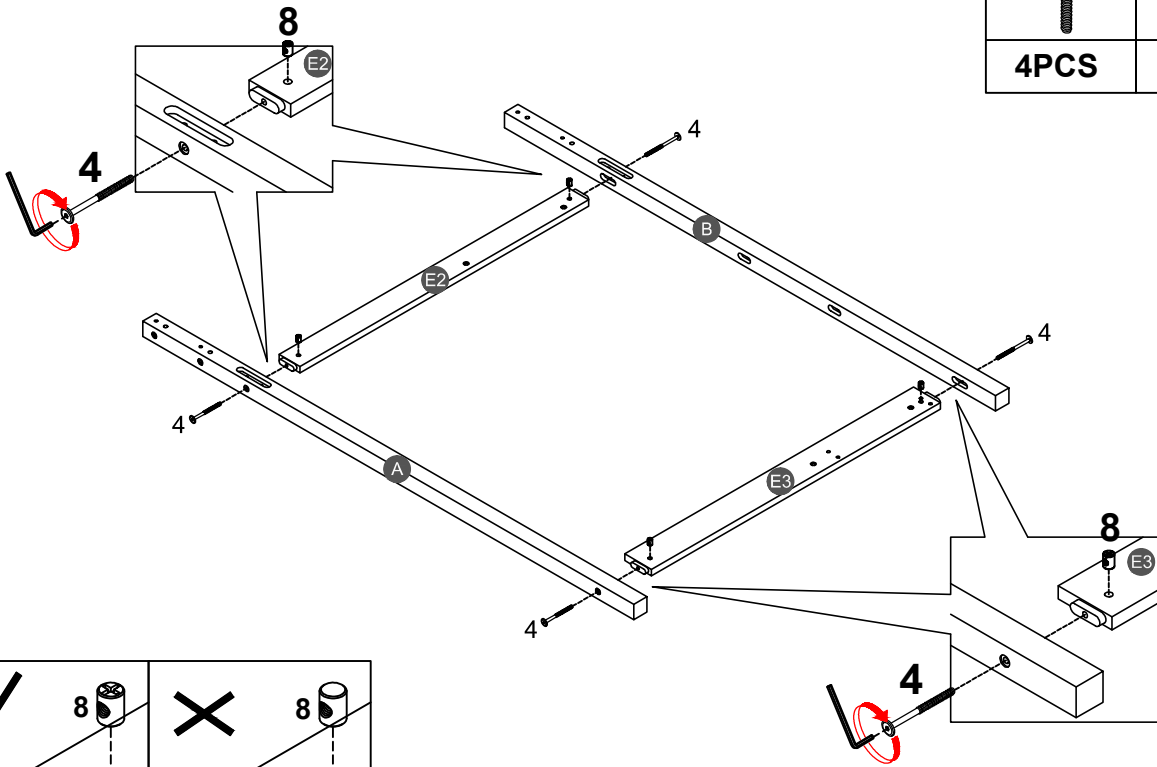
STEP 4:



2 	4 	5 
4PCS	4PCS	4PCS
		8 
		8PCS



STEP 5:

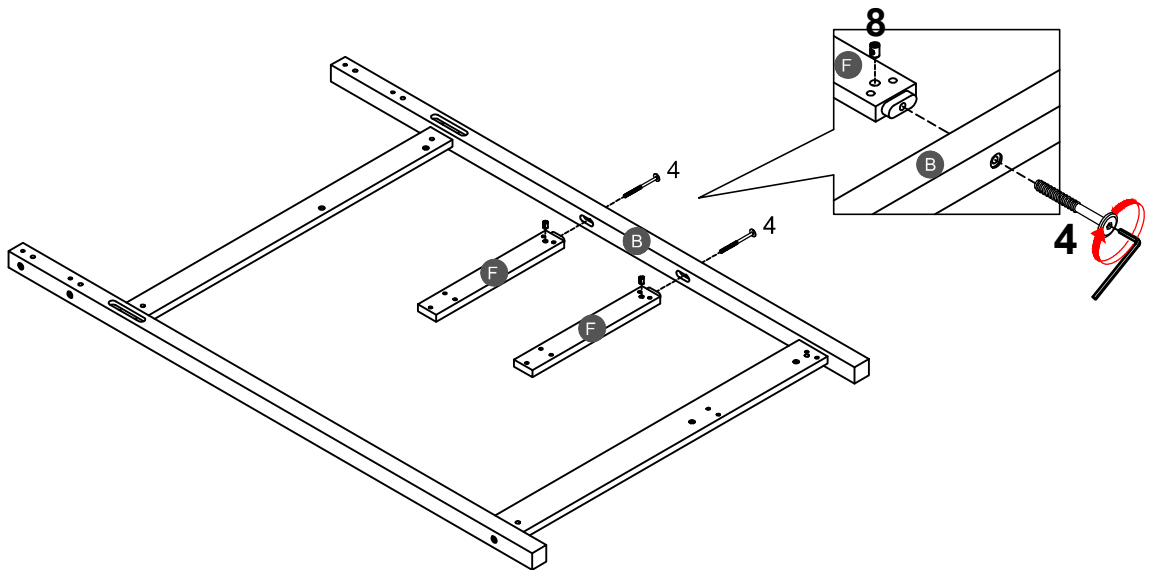
4		8	
4PCS		4PCS	



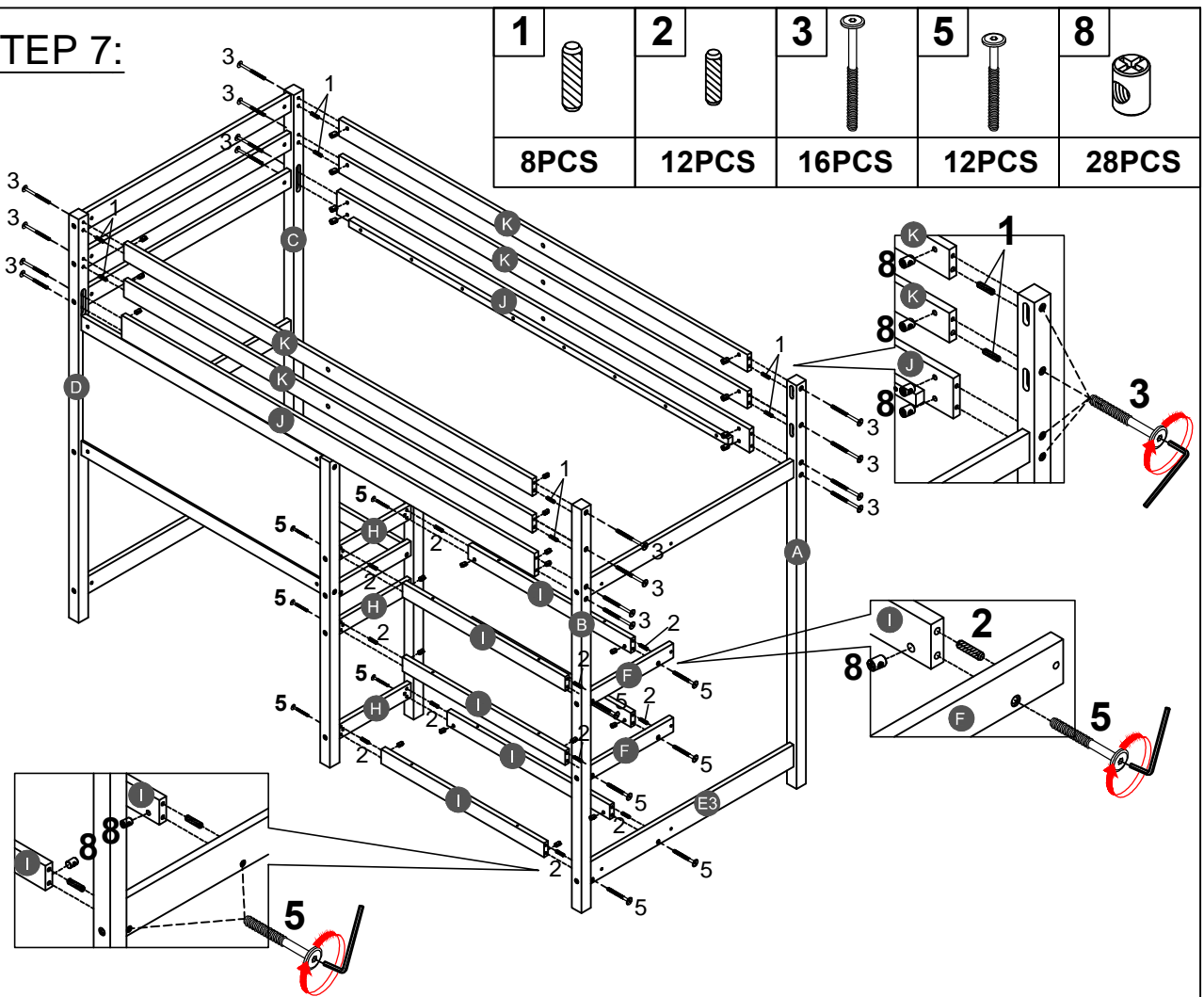
Note: Part 8 will face up with the "x" mark on it, otherwise it cannot be tightened

STEP 6:

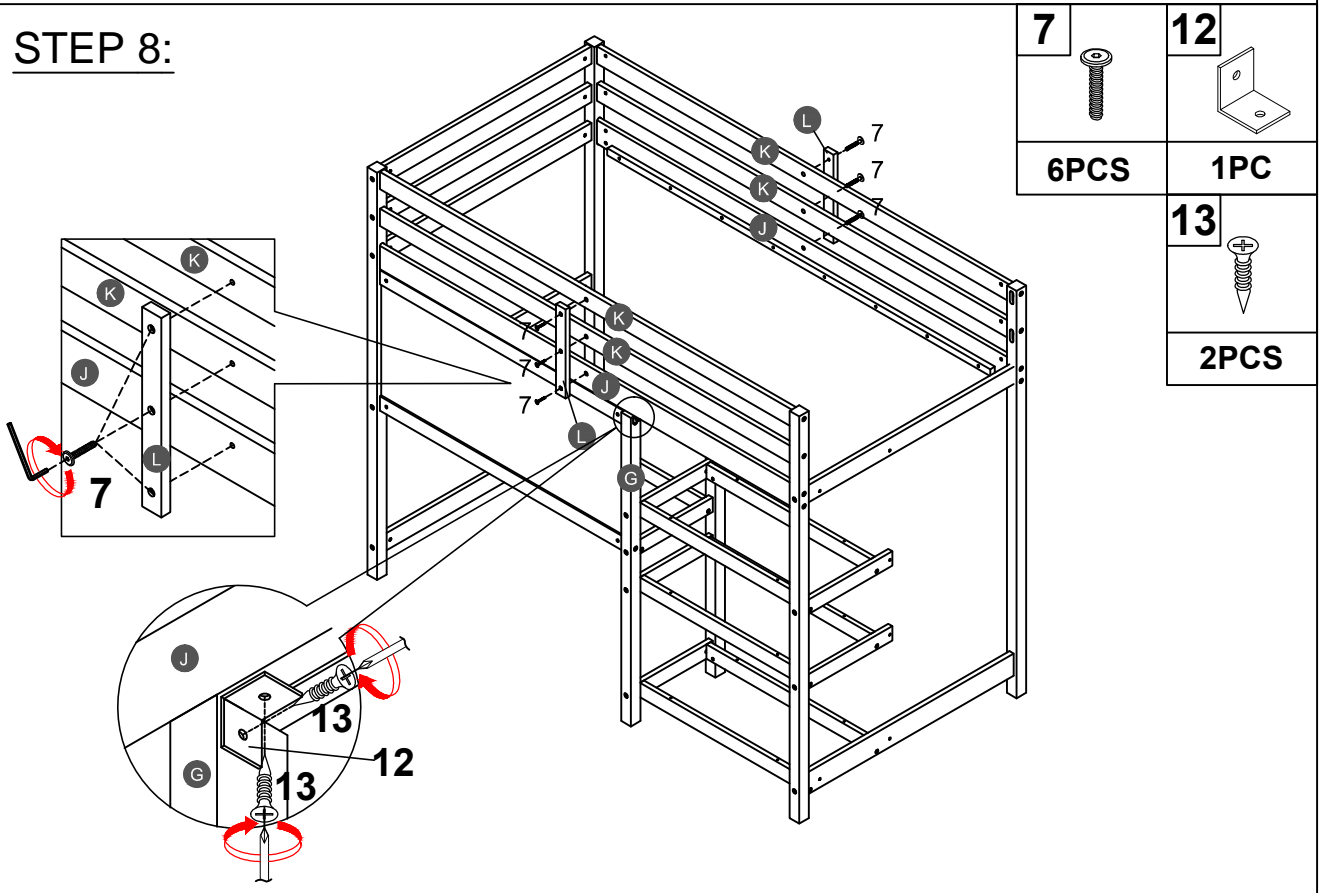
4		8	
2PCS		2PCS	





STEP 7:

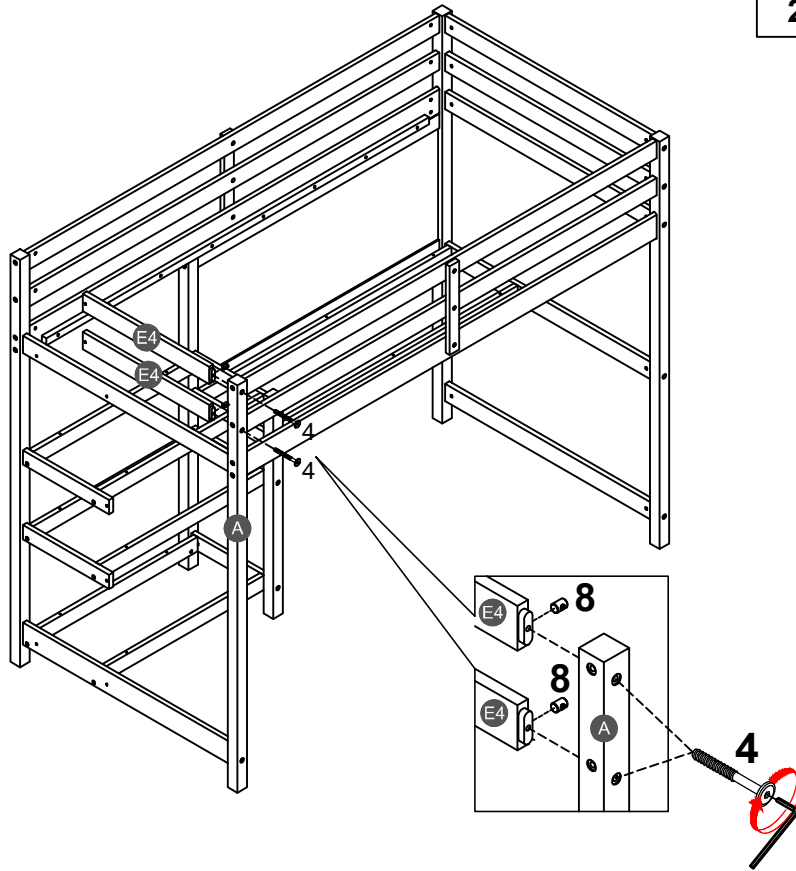


STEP 8:





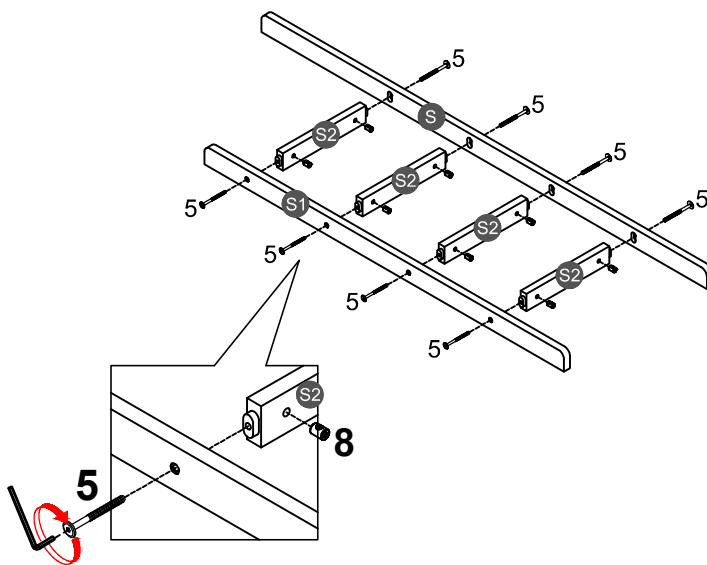
STEP 9:

4		8	
2PCS		2PCS	



STEP 10:

5		8	
8PCS		8PCS	

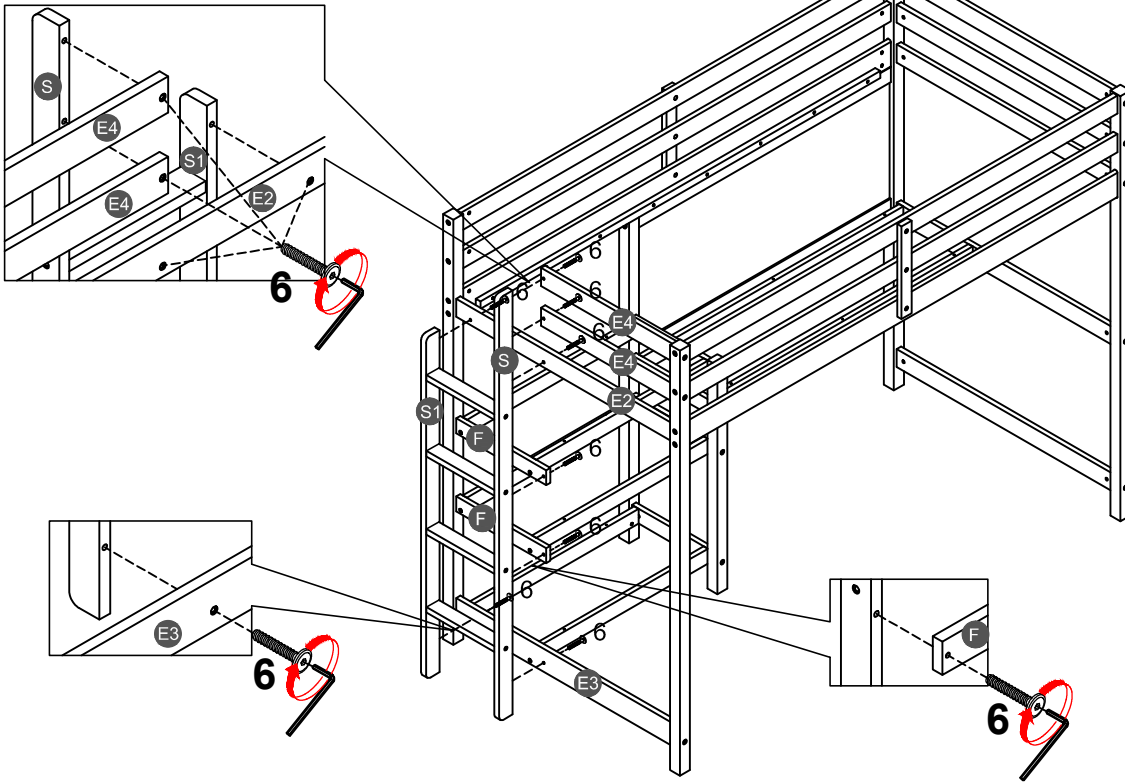


STEP 11:

6



8PCS

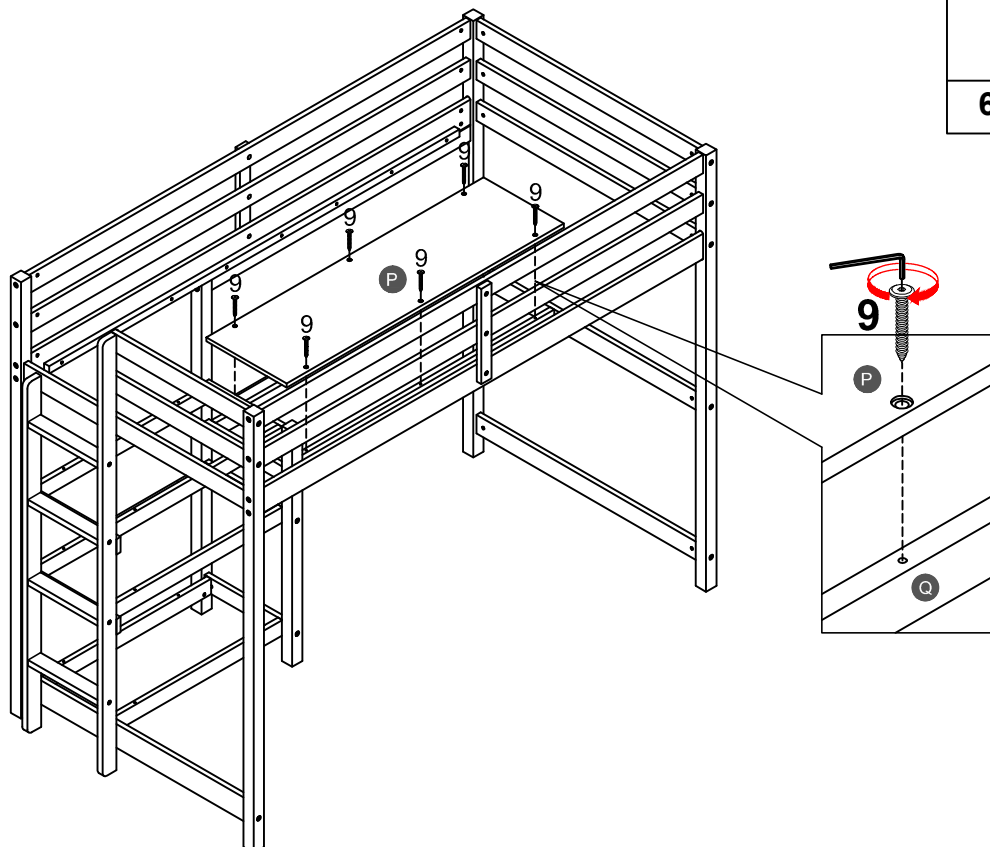


STEP 12:

9



6PCS

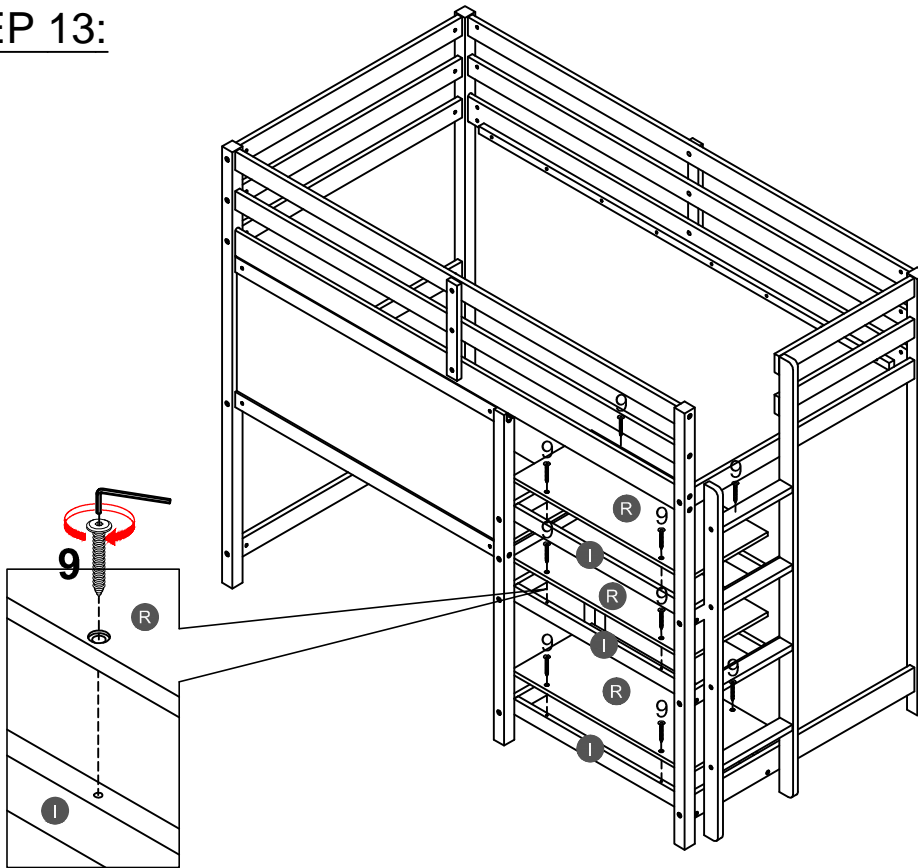


STEP 13:

9



12PCS

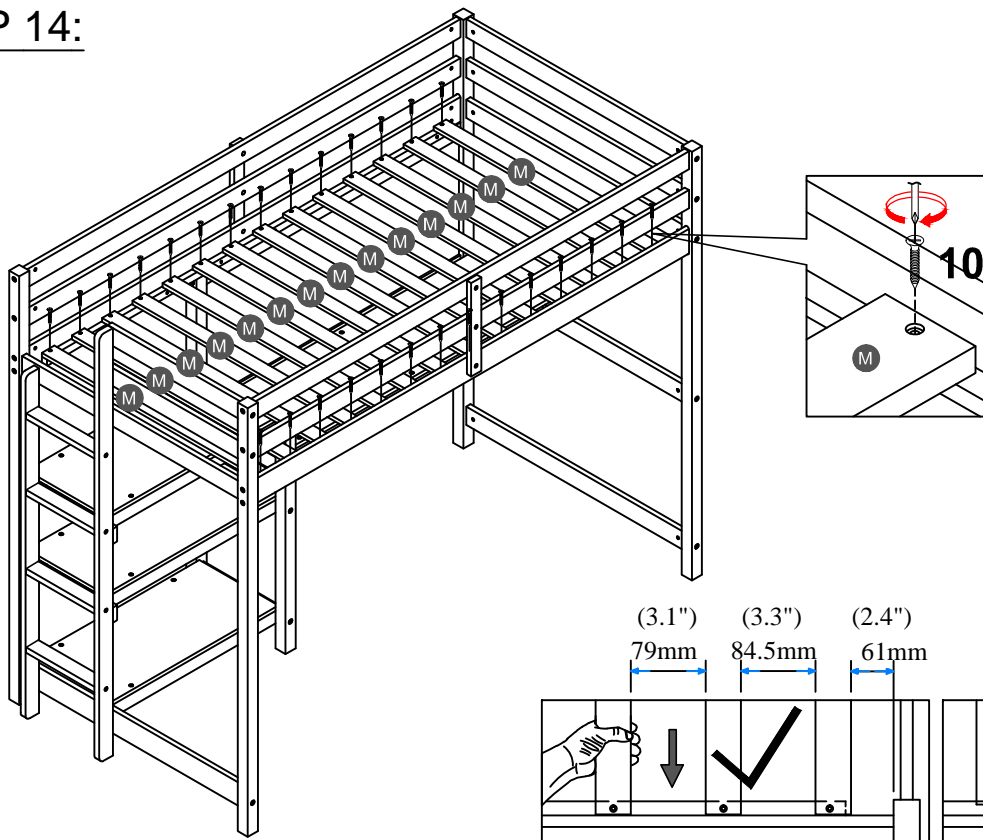


STEP 14:

10



28PCS



Note: Do not lock the screws of the bed slats to the outermost edge of the bed slats, you need to leave a certain space at the edges, otherwise it will cause the board to break. Do not lock the bed slats on the edge of the wood, please hold firmly before screwing, hold it in place with one hand, then lock the screw.