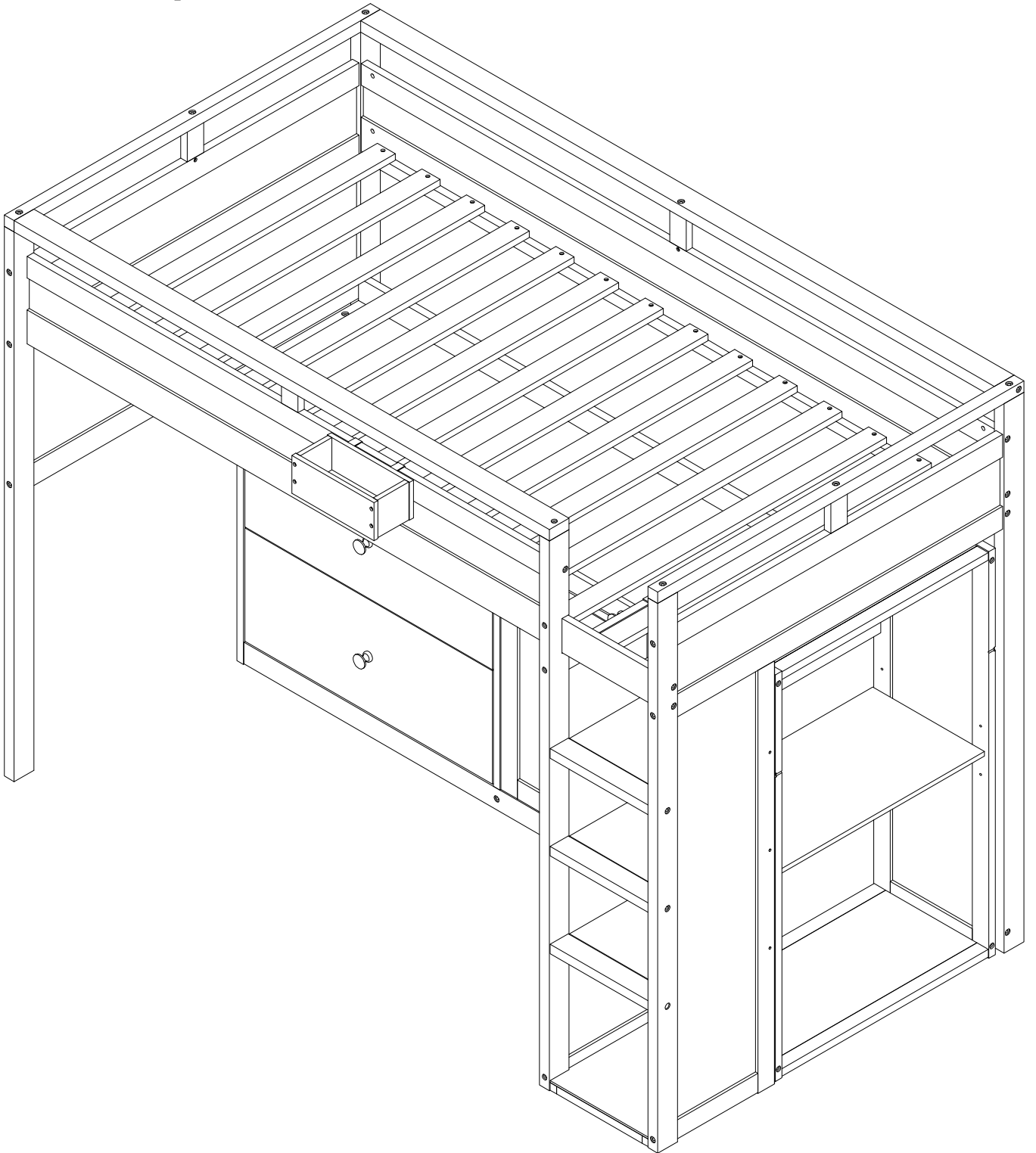


ASSEMBLY INSTRUCTION

SKU CODE: (WF299315-WF299316-WF299317)

This set is included 3 boxes if don't receive full 3 boxes please contact our customer service team



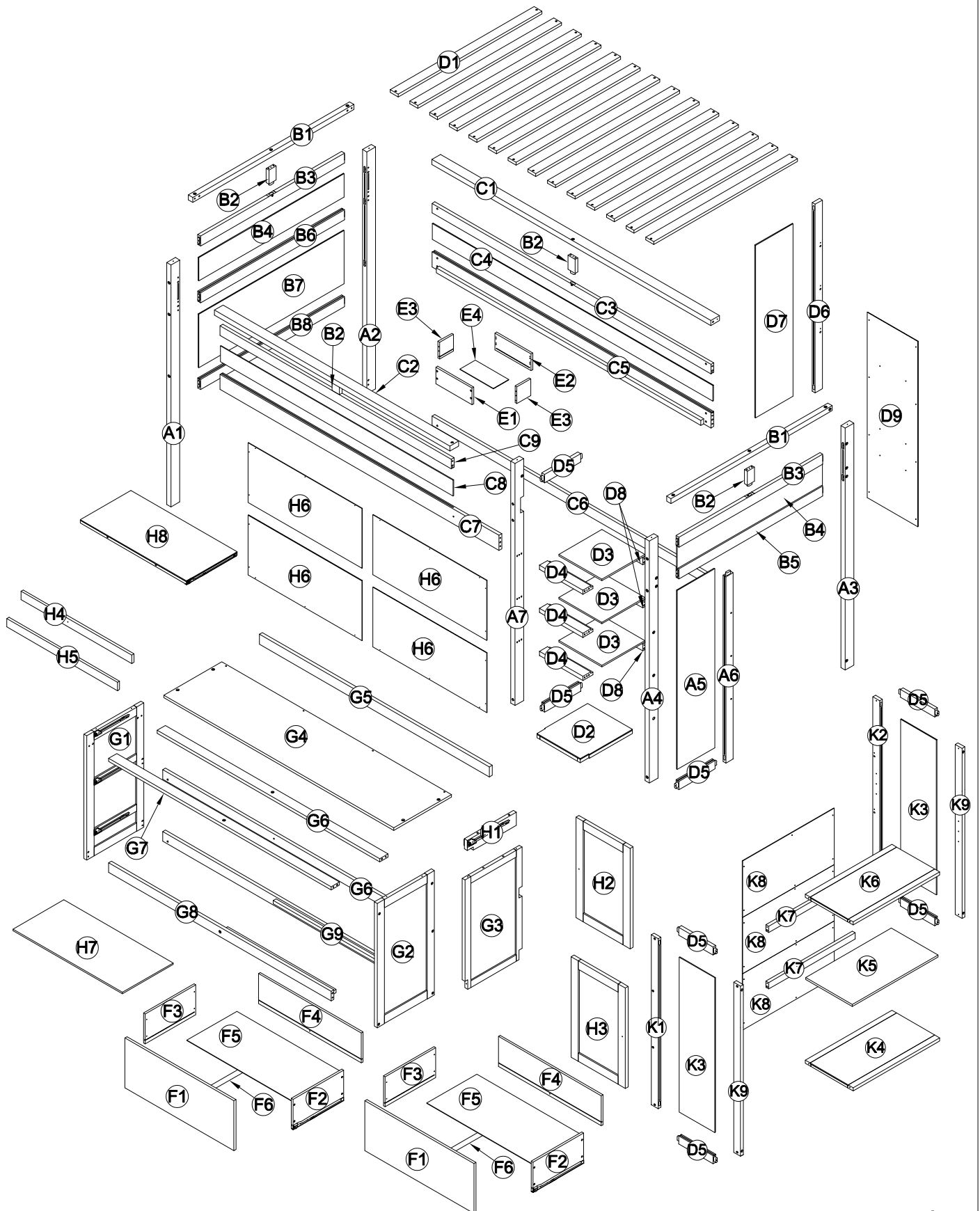
! SAFETY WARNINGS !

1. This bed is designed for use only mattress (es) meeting the following specifications on the upper bunk, and lower bunk

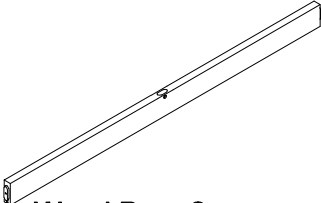
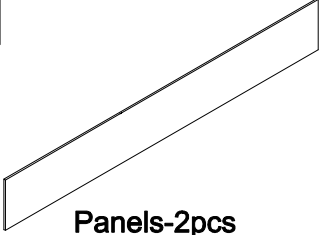
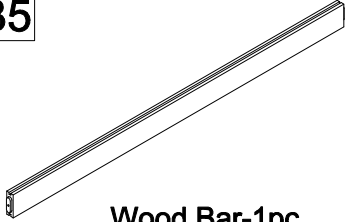
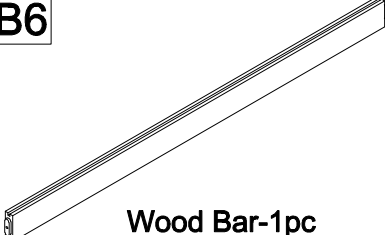
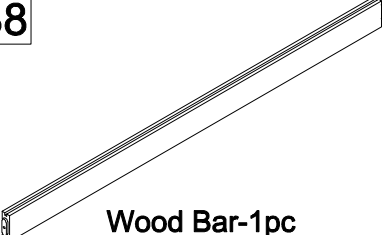
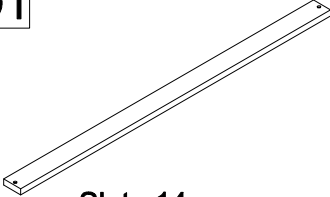
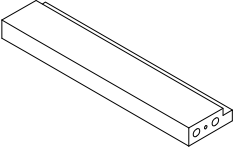
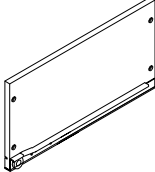
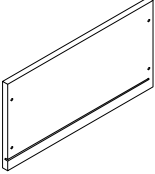
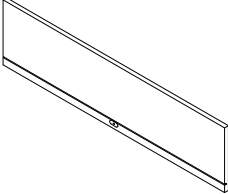
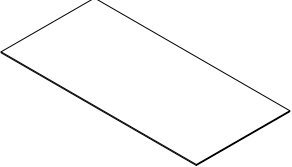
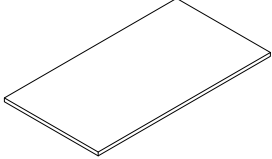
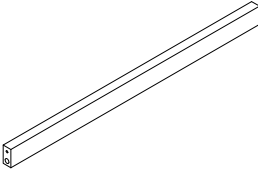
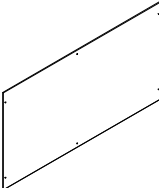
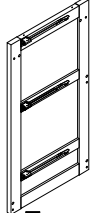

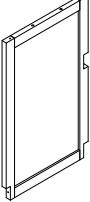
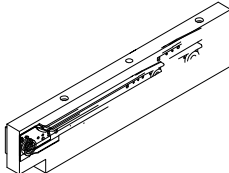
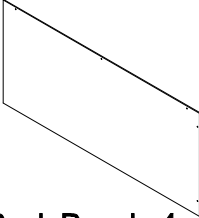
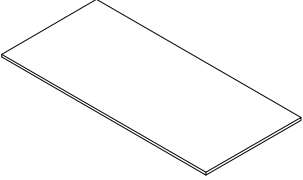
Bed Type	Length	Width	Thickness
<i>Full Standard</i>	<i>74" - 75"</i>	<i>38 1/2"</i>	<i>6" max</i>

2. Replacement parts, including additional guardrails, maybe obtained from any of our (GIGACLOUD TECHNOLOGY (USA) INC. 18961 ARENTH AVENUE CITY OF INDUSTRY, CA, 91748) dealers
3. Follow the information on the warnings appearing on the upper bunk bed end structure and on the carton. Do not remove warning label from bed
4. Always use the recommended size mattresses or mattress supports, or both, to help prevent the likelihood of entrapment or falls.
5. Surface of mattress must be at least 5" (127mm) below the upper edge of guardrails
6. Do not allow children under 6 years of age to use the upper bunk.
7. Periodically check and ensure that the guardrail, ladder, and other components are in their proper position, free from damage, and that all connectors are tight.
8. Do not allow horseplay on or under the bed and prohibit jumping on the bed.
9. Always use the ladder for entering and leaving the upper bunkAlways use the ladder for entering and leaving the upper bunk.
10. Do not use substitute part. Contact the manufacture or dealer for replacement part
11. Use of a night light may provide added safety precaution for a child using the upper bunk..
12. Always use guardrails on both long sides of the upper bunk. If the bunk bed will be placed next to the wall, the guardrail that runs the full length of the bed should be placed against the wall to prevent entrapment between the bed and wall.
13. The use of water or sleep flotation mattresses is prohibited
14. STRANGULATION HAZARD - Never attach or hang items to any part of the bunk bed that are not designed for use with the bed; for example, but not limited to, hook, belts and jump ropes
15. Keep these instruction for future reference
16. Prohibit more than one person on upper bunk
17. We recommend assembling your bunk bed on the shipping carton to protect your floor or carpet
18. Be certain all staples are out of the box before beginning assembly on the shipping carton.

ASSEMBLY INSTRUCTION

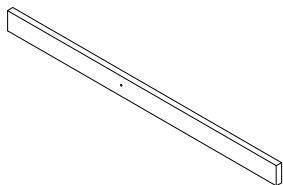


Part List & Hardware List (Box 1-WF299315)

<p>B3</p>  <p>Wood Bars-2pcs</p>	<p>B4</p>  <p>Panels-2pcs</p>	<p>B5</p>  <p>Wood Bar-1pc</p>
<p>B6</p>  <p>Wood Bar-1pc</p>	<p>B8</p>  <p>Wood Bar-1pc</p>	<p>D1</p>  <p>Slats-14pcs</p>
<p>D4</p>  <p>Wood Bars-3pcs</p>	<p>F2</p>  <p>Drawer-Side Panels-2pcs</p>	<p>F3</p>  <p>Drawer-Side Panels-2pcs</p>
<p>F4</p>  <p>Drawer-Back Panels-2pcs</p>	<p>F5</p>  <p>Drawer-Bottom Panels-2pcs</p>	<p>K5</p>  <p>Remove Panel-1pc</p>
<p>K7</p>  <p>Wood bars-2pcs</p>	<p>K8</p>  <p>Back Panels-3pcs</p>	<p>G1</p>  <p>Side Frame-1pc</p>
<p>G2</p>  <p>Side Frame-1pc</p>	<p>G3</p>  <p>Center Frame-1pc</p>	<p>H1</p>  <p>Center Rail-1pc</p>
<p>H6</p>  <p>Back Panels-4pcs</p>	<p>H7</p>  <p>Bottom Panel-1pc</p>	

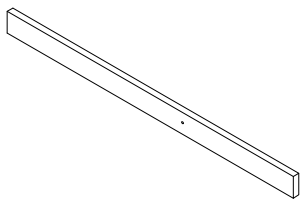
Part List & Hardware List (Box 1-WF299315)

H4








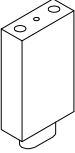
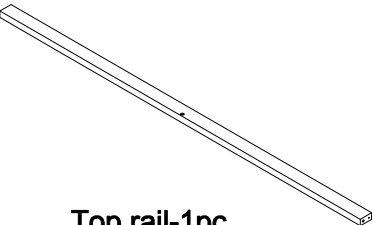
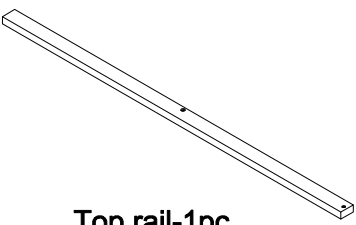
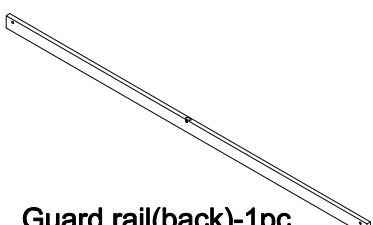
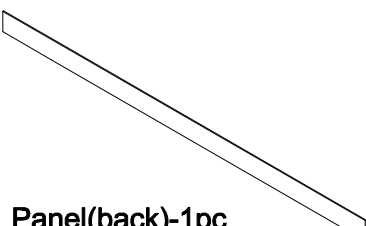
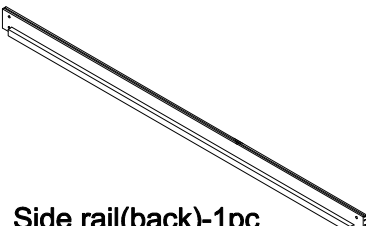
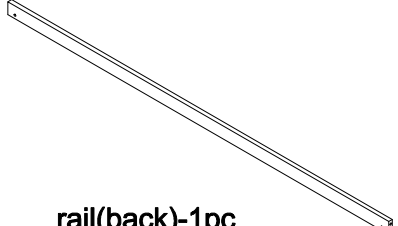
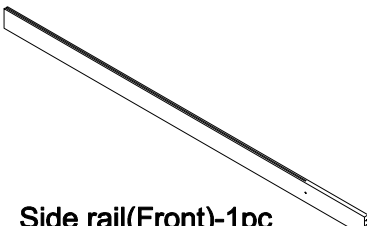
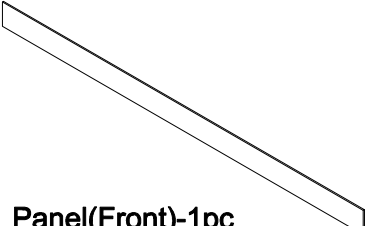
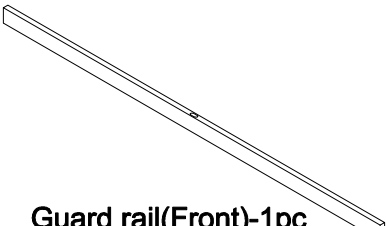
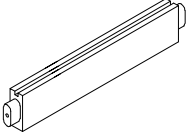
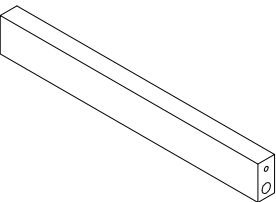
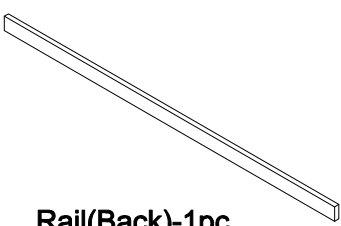
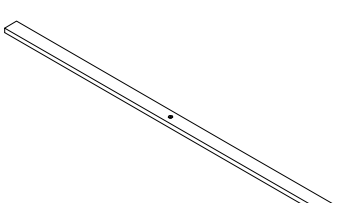
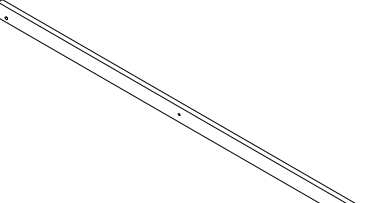
Drawer-Front Panel-1pc

H5



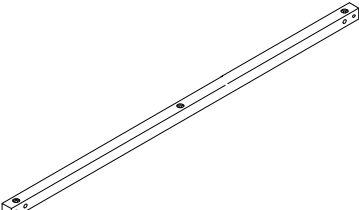
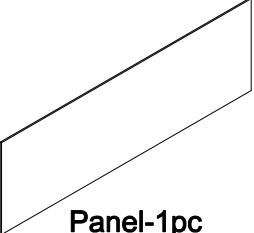
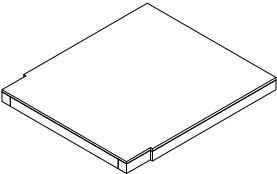
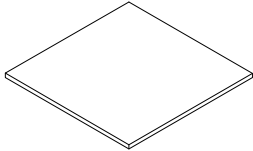


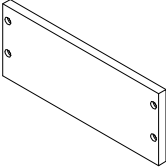
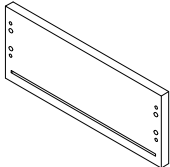
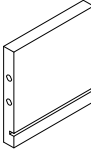
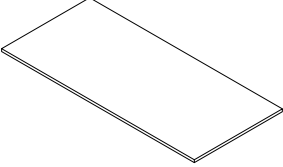
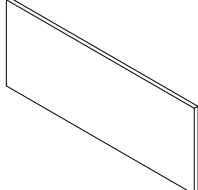
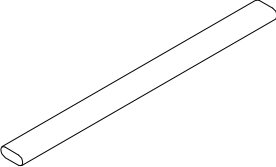


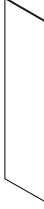

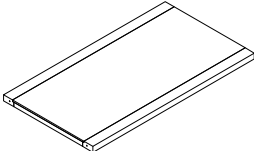
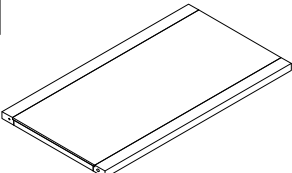
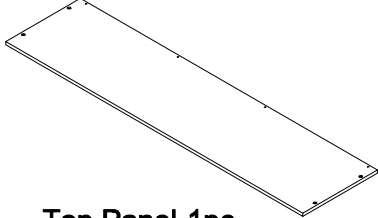


Drawer-Front Panel-1pc

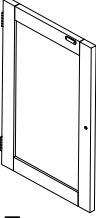

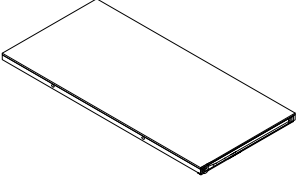
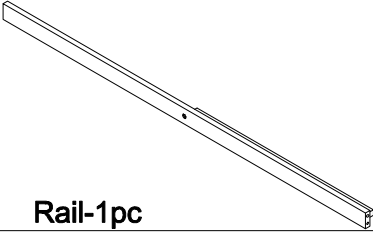
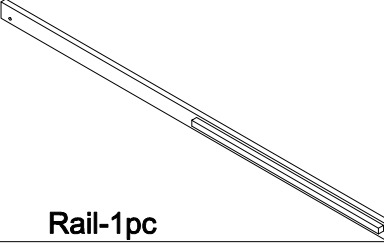

Part List (Box 2-WF299316)

<p>A1</p>  <p>Leg-1pc</p>	<p>A2</p>  <p>Leg-1pc</p>	<p>A3</p>  <p>Leg-1pc</p>
<p>A4</p>  <p>Leg-1pc</p>	<p>A7</p>  <p>Leg-1pc</p>	<p>B2</p>  <p>Wood Bars-4pcs</p>
<p>C1</p>  <p>Top rail-1pc</p>	<p>C2</p>  <p>Top rail-1pc</p>	<p>C3</p>  <p>Guard rail(back)-1pc</p>
<p>C4</p>  <p>Panel(back)-1pc</p>	<p>C5</p>  <p>Side rail(back)-1pc</p>	<p>C6</p>  <p>rail(back)-1pc</p>
<p>C7</p>  <p>Side rail(Front)-1pc</p>	<p>C8</p>  <p>Panel(Front)-1pc</p>	<p>C9</p>  <p>Guard rail(Front)-1pc</p>
<p>D5</p>  <p>Wood Bars-7pcs</p>	<p>D8</p>  <p>Wood Bars-3pcs</p>	<p>G5</p>  <p>Rail(Back)-1pc</p>
<p>G6</p>  <p>Rails-2pcs</p>	<p>G7</p>  <p>Rail-1pc</p>	

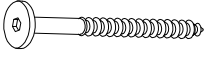




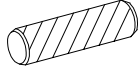
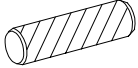
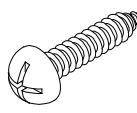
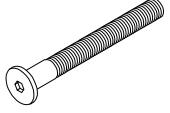


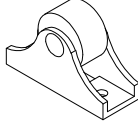
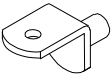
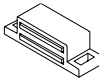

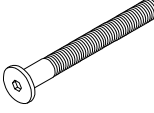

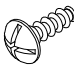
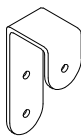

Part List (Box 3-WF299317)

<p>A5</p>  <p>Panel-1pc</p>	<p>A6</p>  <p>Wood Bar-1pc</p>	<p>B1</p>  <p>Top rails-2pcs</p>
<p>B7</p>  <p>Panel-1pc</p>	<p>D2</p>  <p>Bottom Frame-1pc</p>	<p>D3</p>  <p>Panels-3pcs</p>
<p>D6</p>  <p>Wood Bar-1pc</p>	<p>D7</p>  <p>Panel-1pc</p>	<p>E1</p>  <p>Box-Front Panel-1pc</p>
<p>E2</p>  <p>Box-Back Panel-1pc</p>	<p>E3</p>  <p>Box-Side Panels-2pcs</p>	<p>E4</p>  <p>Box-Bottom Panel-1pc</p>
<p>F1</p>  <p>Drawer-Front Panels-2pcs</p>	<p>F6</p>  <p>Drawer-Sup Bottom Panels-2pcs</p>	<p>K1</p>  <p>Wood Bar-1pc</p>
<p>K2</p>  <p>Wood Bar-1pc</p>	<p>K3</p>  <p>Panels-2pcs</p>	<p>K9</p>  <p>Wood Bars-2pcs</p>
<p>K4</p>  <p>Bottom Frame-1pc</p>	<p>K6</p>  <p>Top Frame-1pc</p>	<p>G4</p>  <p>Top Panel-1pc</p>

Part List (Box 3-WF299317)

H2  Door Frame-1pc	H3  Door Frame-1pc	H8  Drawer-Frames-2pcs
G8  Rail-1pc	G9  Rail-1pc	D9  Back Panel-1pc

Hardware List (Box 1-WF299315)

<p>1</p>  <p>Screws 1/4" x80 13pcs</p>	<p>2</p>  <p>Screws 1/4" x40 41pcs</p>	<p>3</p>  <p>M3 x 12 mm Wood Screws 20pcs</p>
<p>4</p>  <p>Screws 1/4" x70 11pcs</p>	<p>5</p>  <p>Screws 1/4" x50 10pcs</p>	<p>6</p>  <p>Ø10 x 40 mm Wood dowel 22pcs</p>
<p>7</p>  <p>Ø8 x 30 mm Wood dowel 33pcs</p>	<p>8</p>  <p>M4 x 15 mm Wood Screws 62pcs</p>	<p>9</p>  <p>Ø1/4" x 80 mm Hex-Head bolts 14pcs</p>
<p>10</p>  <p>Ø1/4" x 13 mm Horizontal-Hole bolts 24pcs</p>	<p>11</p>  <p>M4 x 30 mm Wood Screws 62pcs</p>	<p>12</p>  <p>Wheels 4pcs</p>
<p>13</p>  <p>Dowel Remove Shelves 4pcs</p>	<p>14</p>  <p>Door Catches 45x17x13 2pcs</p>	<p>15</p>  <p>M4 x 50 mm Wood Screws 2pcs</p>
<p>16</p>  <p>Ø1/4" x 70 mm Hex-Head bolts 10pcs</p>	<p>17</p>  <p>Handle Wood 6pcs</p>	<p>18</p>  <p>Ø1/6" x 25 mm Hex-Head bolts 6pcs</p>
<p>19</p>  <p>Steel Bracket 2pcs</p>	<p>20</p>  <p>Allen Key 1pc</p>	

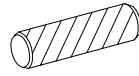
Hardware List (Box 1-WF302888)

22

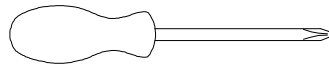


M4 x 15 mm
Wood Screws 14pcs

23



Ø8 x 25 mm
Wood dowel 4pcs



Assembly Tools Required (Not Included)

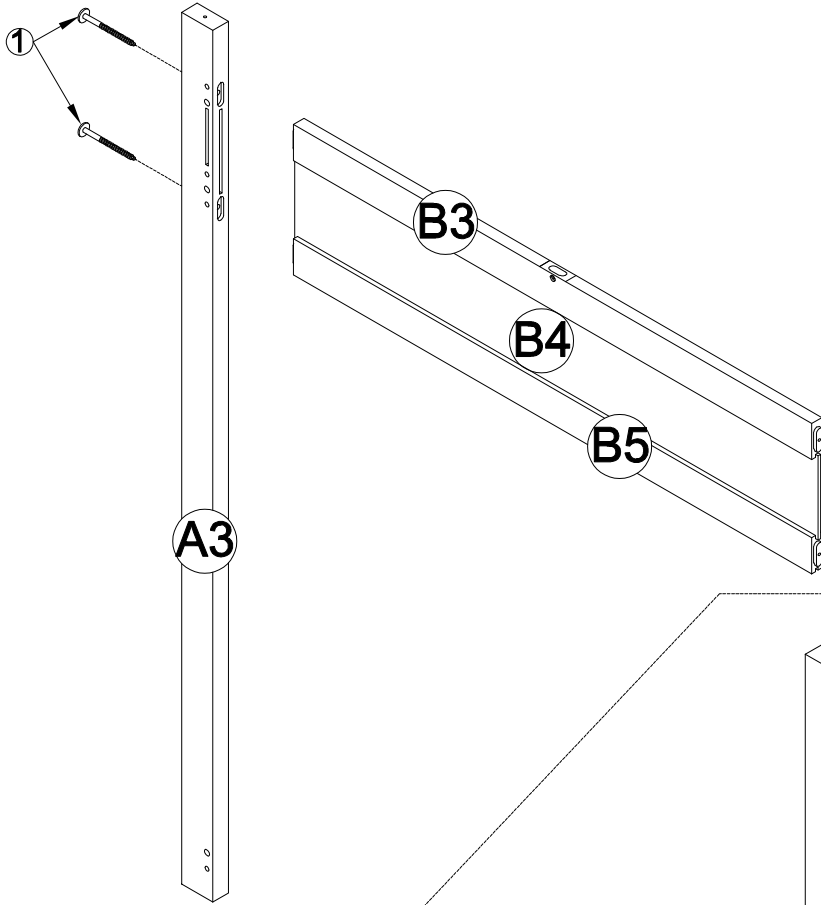
STEP 1-1: Following below illustration. .

-Using hardware #1 connect A3 Leg with B3,B5 Wood bar and B4 Panel.
Look at detail view for more detail

1

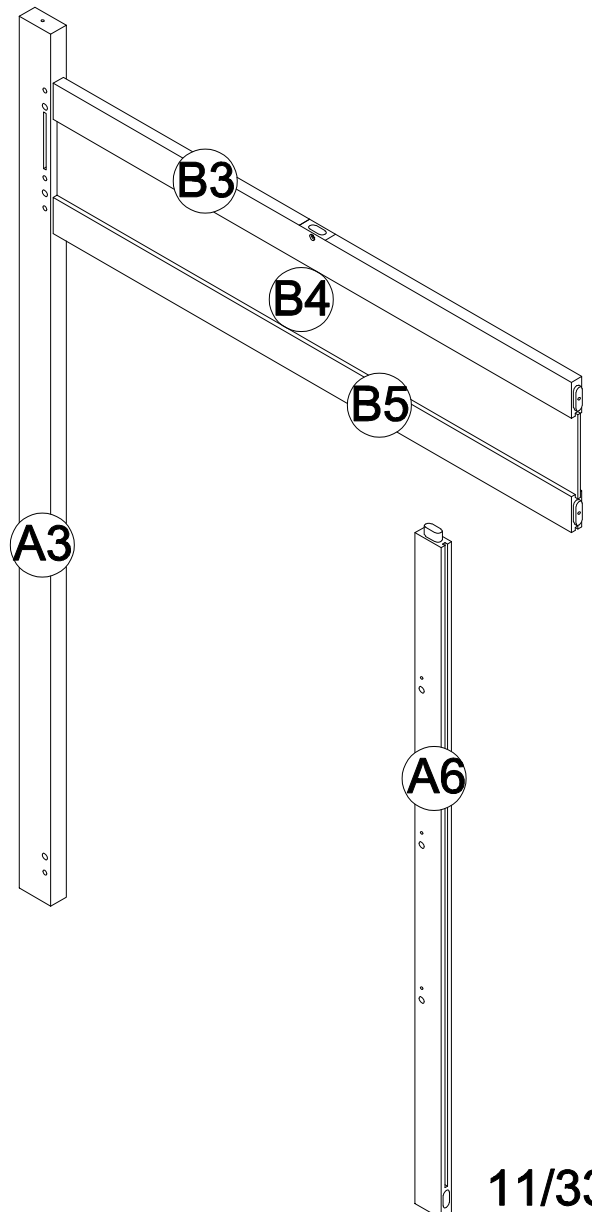


2pcs



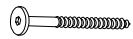
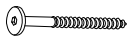
STEP 1-2: Following below illustration. .

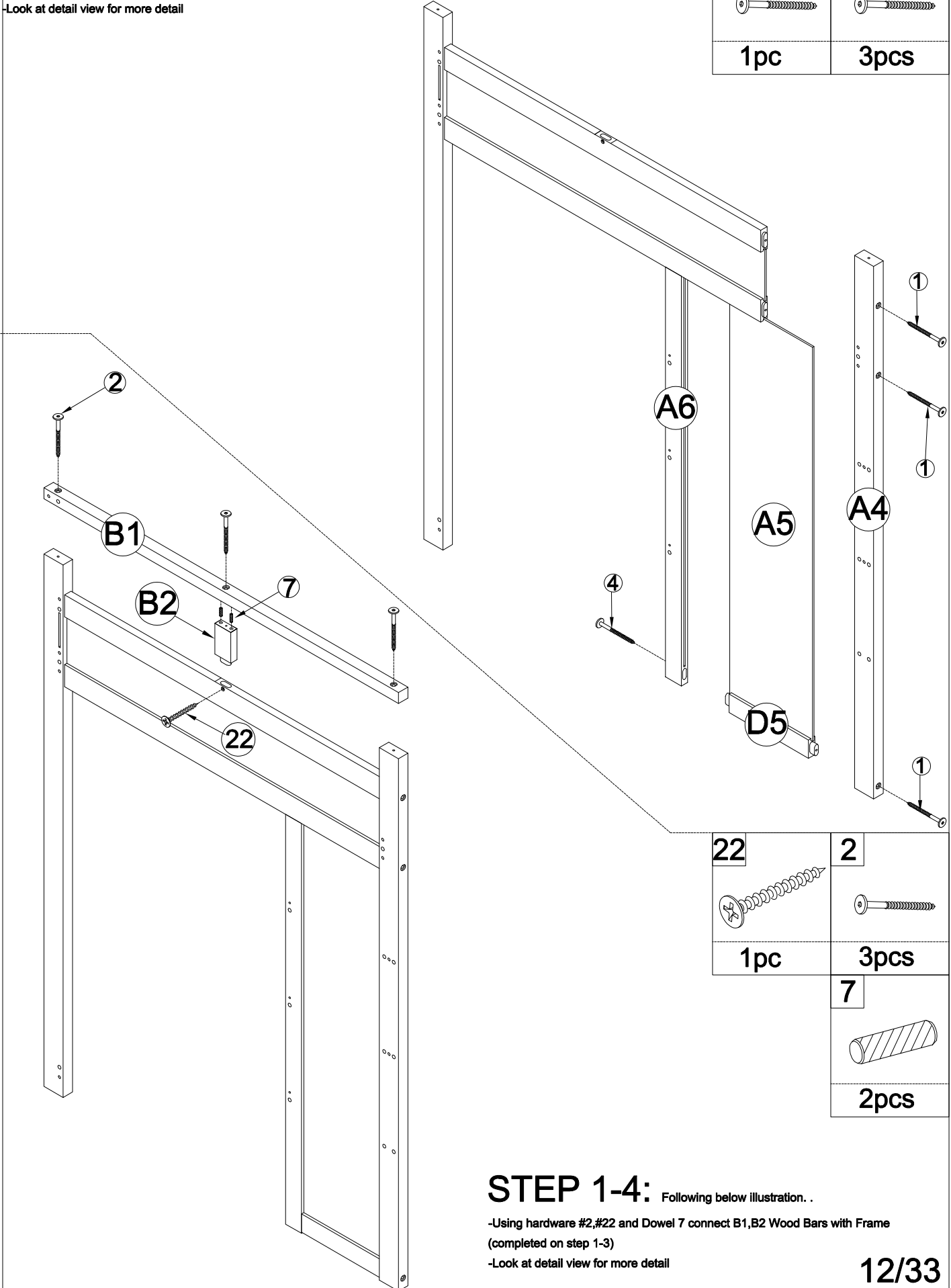
-Permanent A6 Wood bar with Frmae(completed on step 1-1)

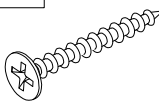
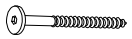
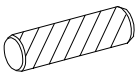


STEP 1-3: Following below illustration. .

-Using hardware #1,#4 connect A4 Leg,D5 Wood Bar,A5 Panel with Frame (completed on step 1-2)
 -Look at detail view for more detail

4	1
	
1pc	3pcs



22	2
	
1pc	3pcs
	7
	
	2pcs

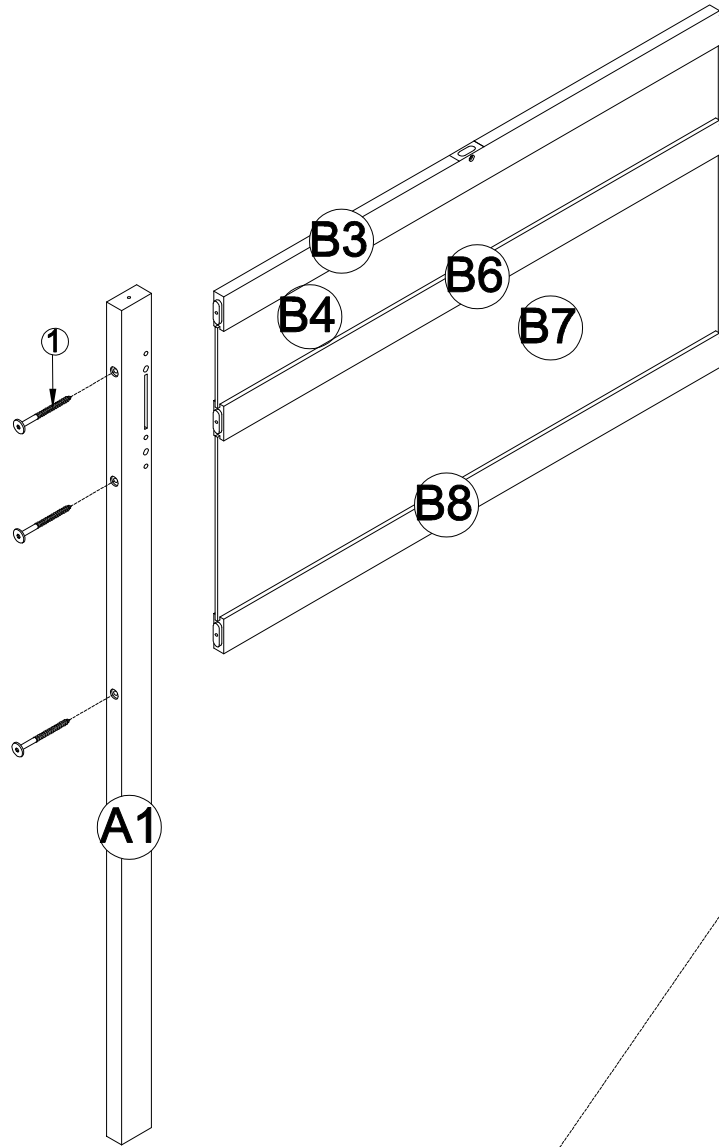
STEP 1-4: Following below illustration. .

-Using hardware #2,#22 and Dowel 7 connect B1,B2 Wood Bars with Frame (completed on step 1-3)

-Look at detail view for more detail

STEP 2-1: Following below illustration . .

-Using hardware #1 connect A1,A2 Legs with B3,B6,B8 Wood bar and B4,B7 Panels.
 -Look at detail view for more detail



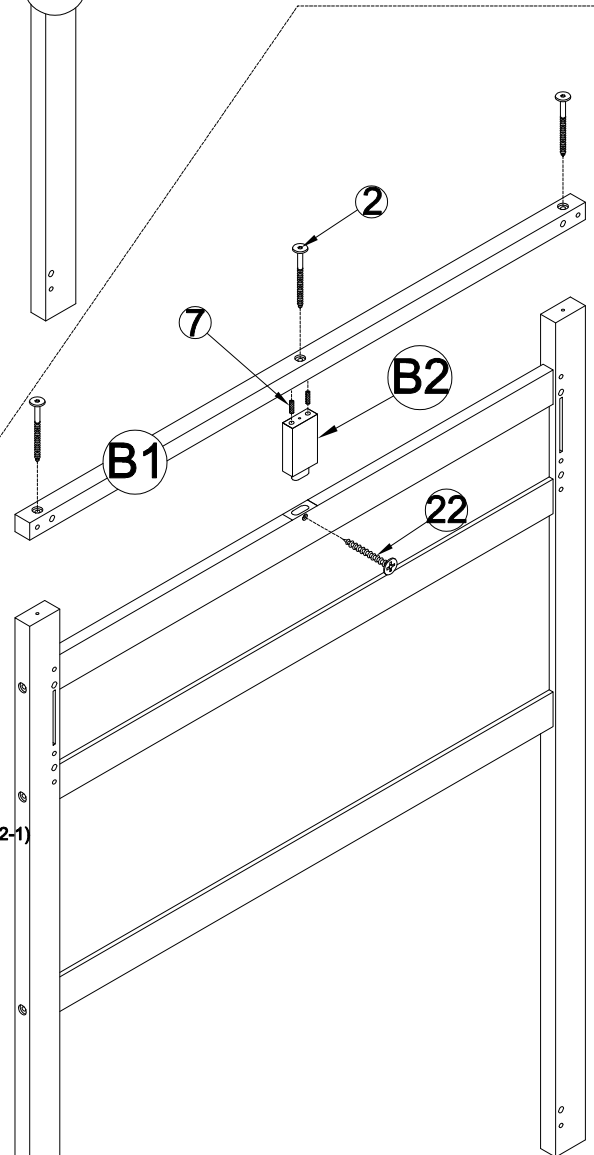
1



6pcs

STEP 2-2: Following below illustration . .

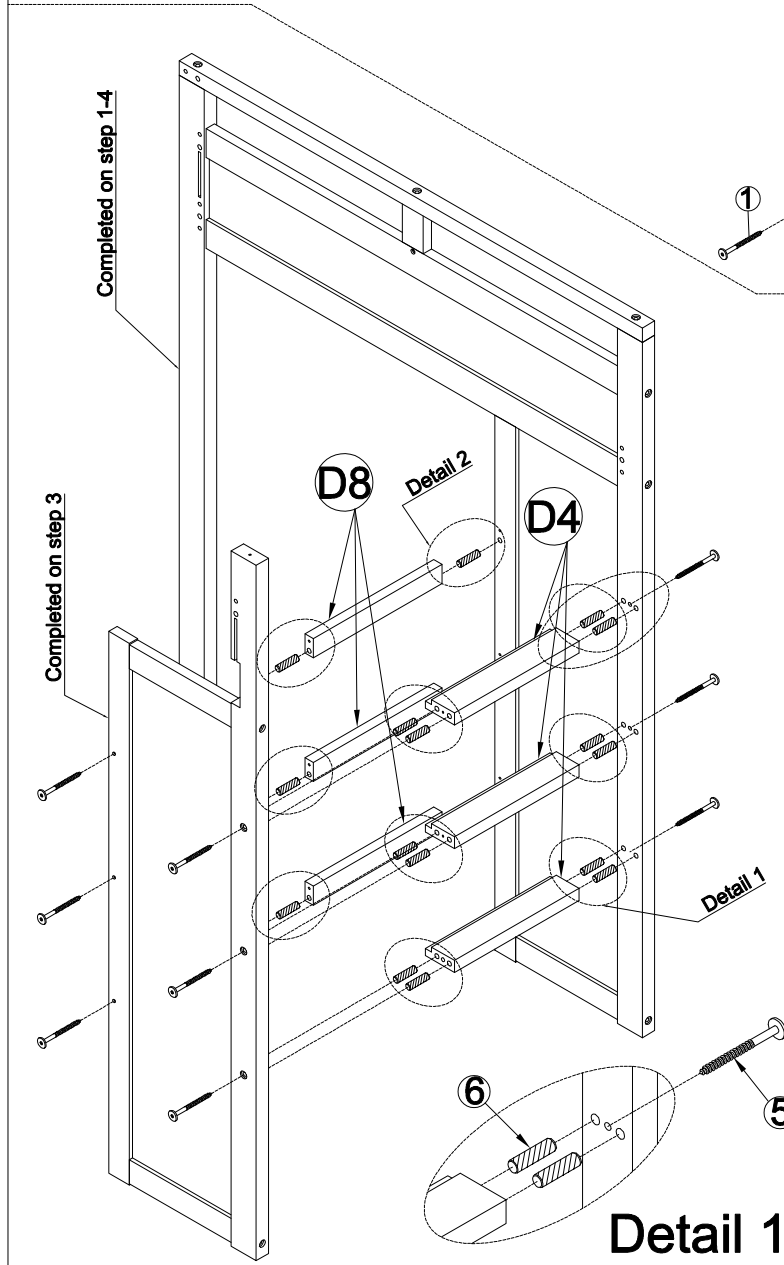
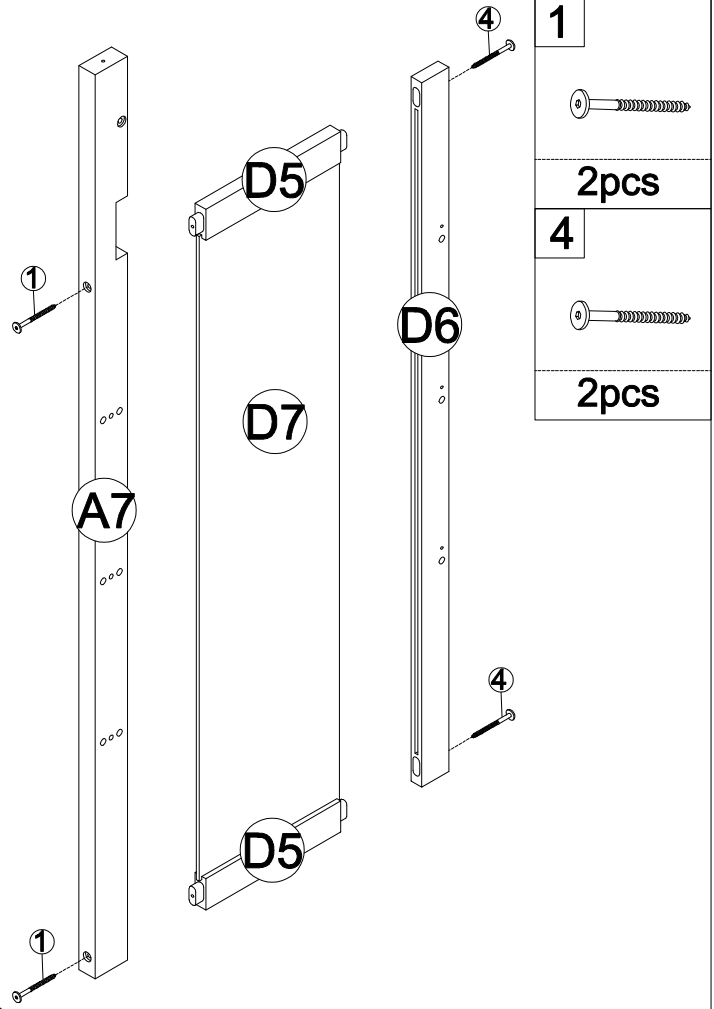
-Using hardware #2,#22 and Dowel 7 connect B1,B2 Wood Bars with Frame (completed on step 2-1)
 -Look at detail view for more detail



22	2	7
1pc	3pcs	2pcs

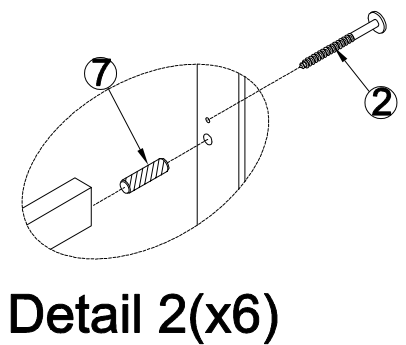
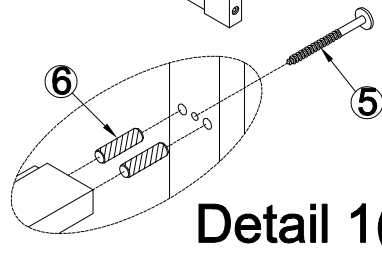
STEP 3: Following below illustration . .

-Using hardware #1, #4 connect A7,D6 Legs with B5(x2) Wood bar and D7 Panel.
Look at detail view for more detail



STEP 4-1:

6		2	
12pcs		6pcs	
7		5	
6pcs		6pcs	

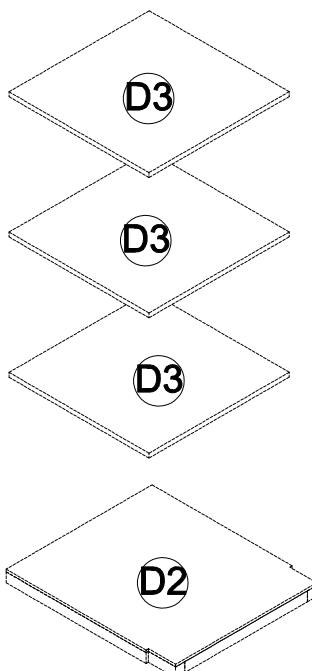
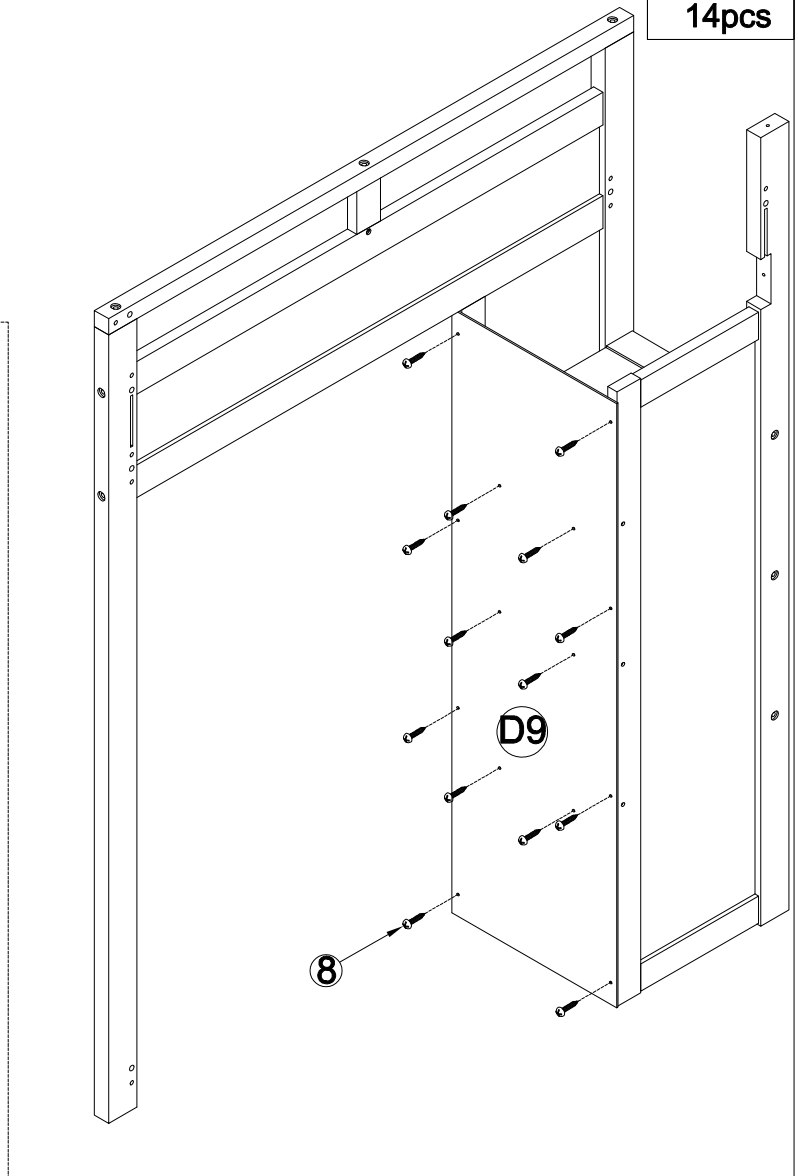
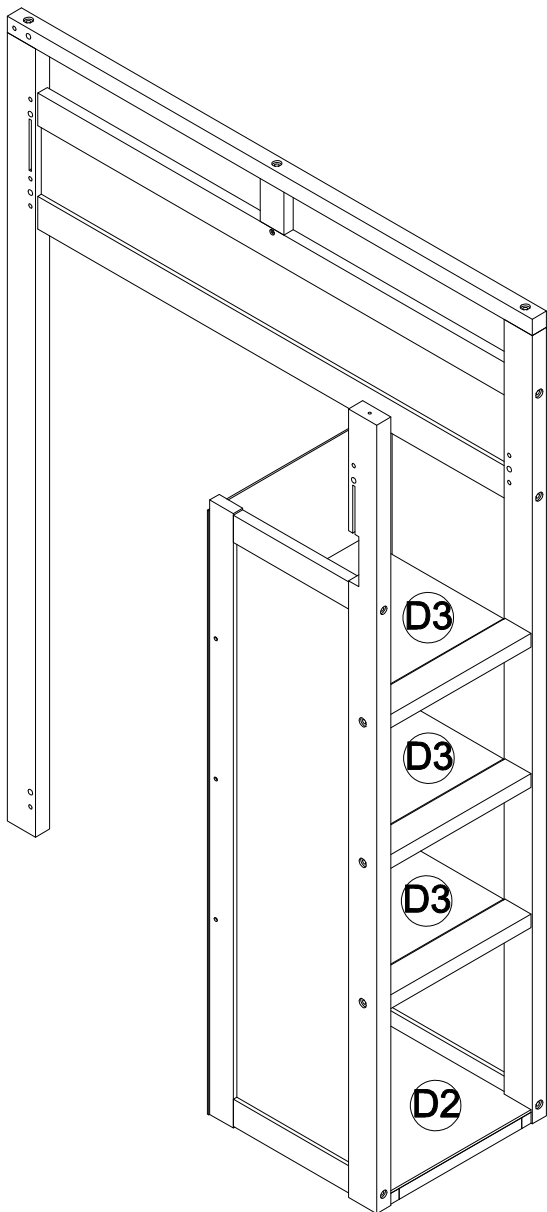


STEP 4-2:

8



14pcs



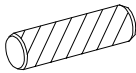
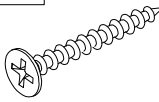
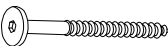
STEP 4-3: Push D2,D3(x3) Panels into Place

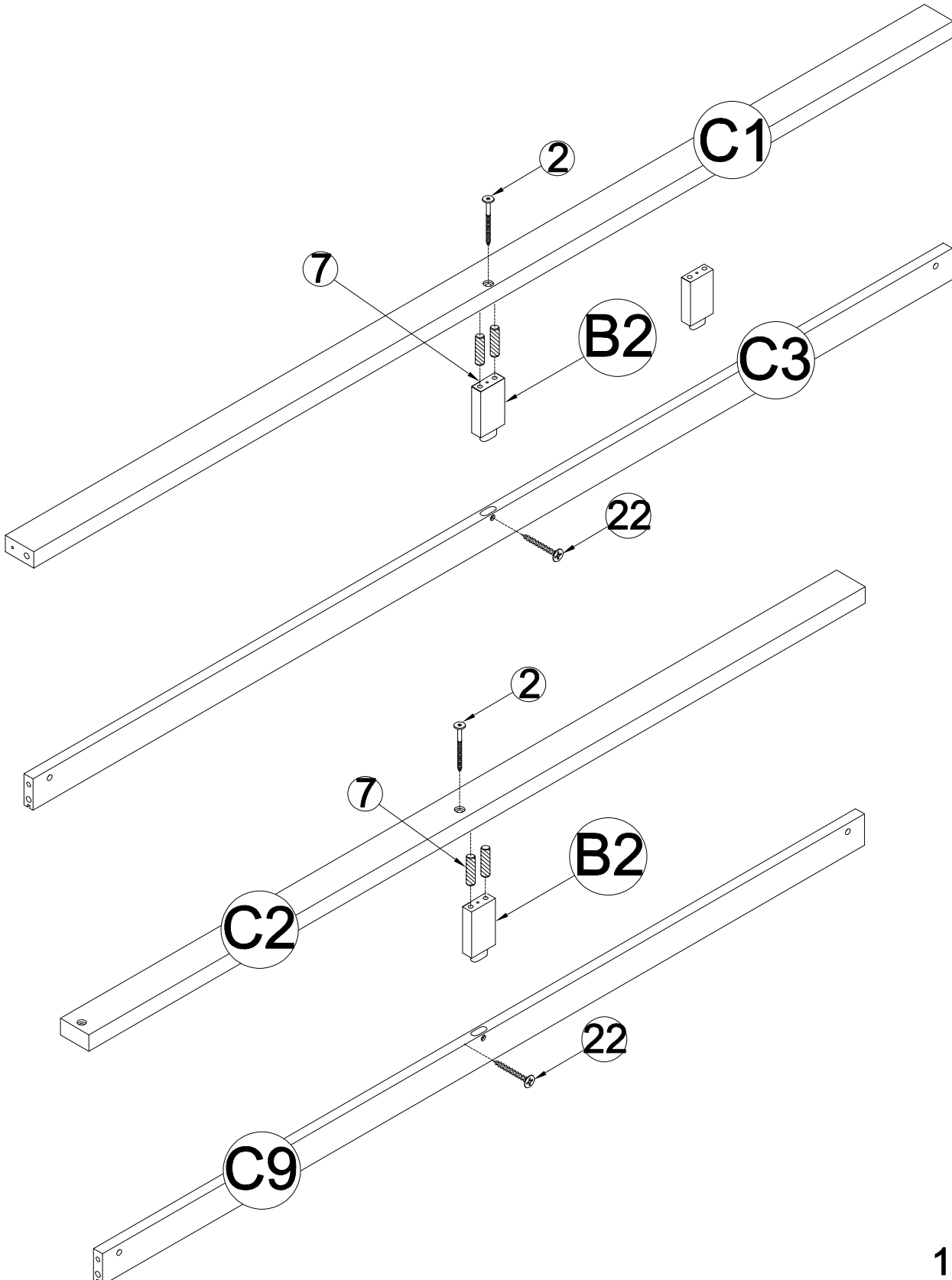
STEP 5: Following below illustration . .

-Using hardware #2,#22 and Dowel 7 connect C1,C3 Guard rails with B2 Wood Bar

-Using hardware #2,#22 and Dowel 7 connect C2,C9 Guard rails with B2 Wood Bar

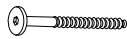

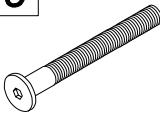
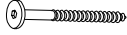
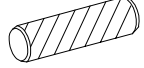
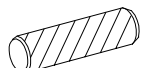
-Look at detail view for more detail

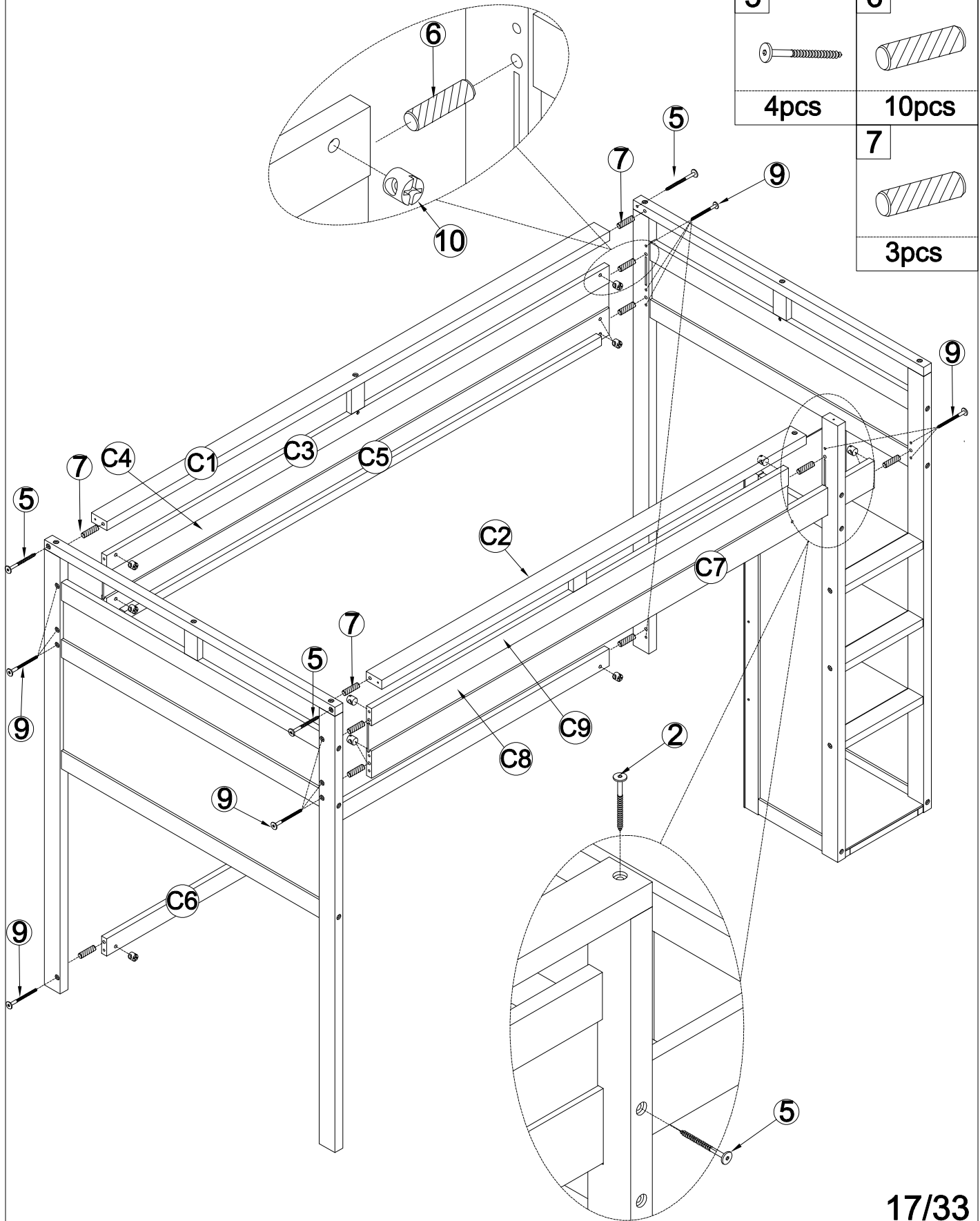
7	22	2
		
4pcs	2pcs	2pcs



STEP 6: Following below illustration . .

-Using hardware #2,#5,#9,#10 and Dowel 6 connect Frames(Completed on step 2-2,Step 4-3) with Frame (Completed on step 5) and C5,C7 Side rails and C4,C8 Panels and C6 Rail
 -Look at detail view for more detail

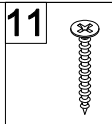
<p>2</p>  <p>1pc</p>	<p>10</p>  <p>14pcs</p>	<p>9</p>  <p>14pcs</p>
<p>5</p>  <p>4pcs</p>	<p>6</p>  <p>10pcs</p>	<p>7</p>  <p>3pcs</p>



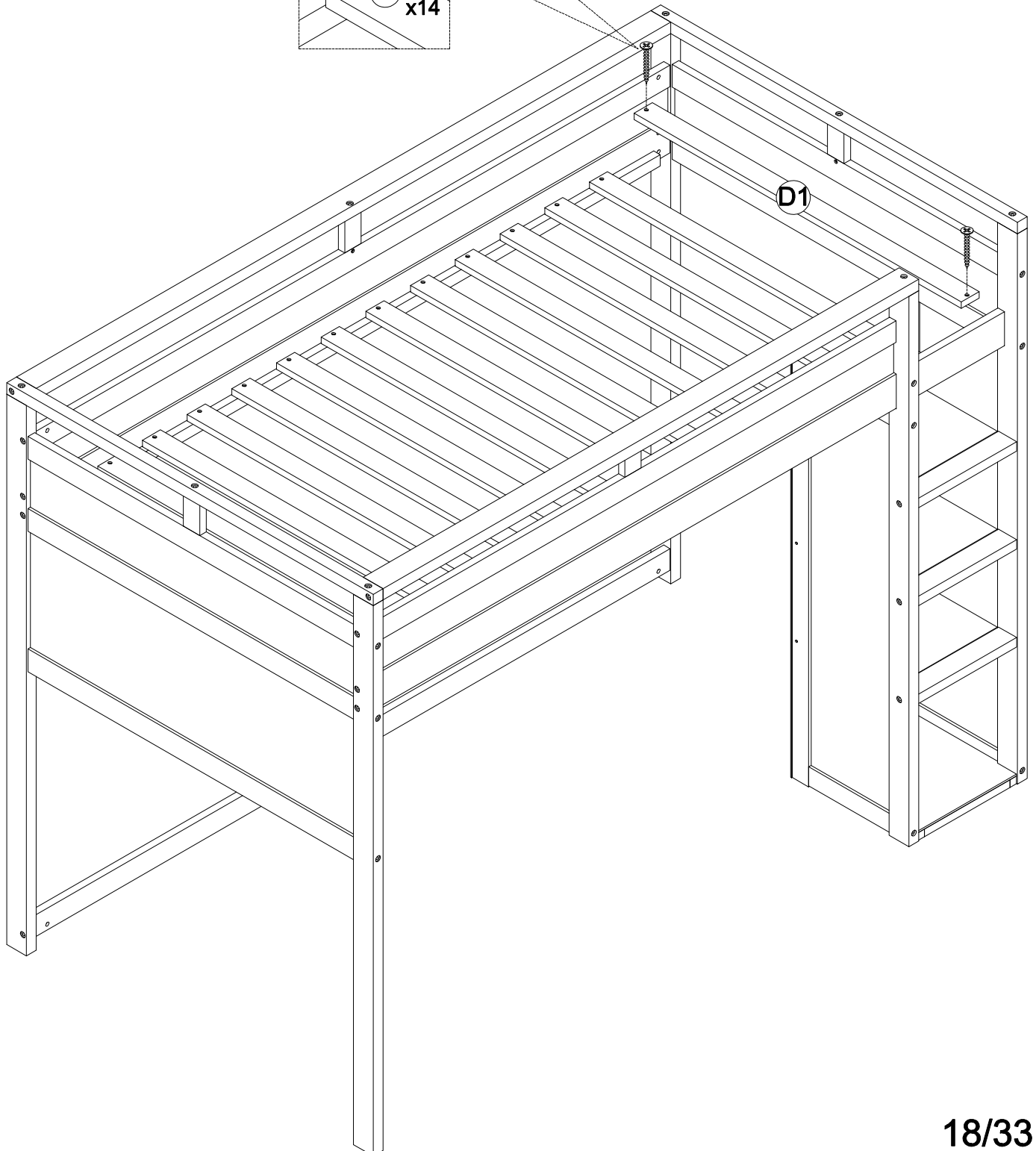
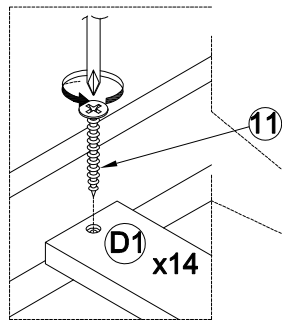
STEP 7: Following below illustration:

-Screw 14 slats D1 with Side Rail C5,C7 by using hardware #11.

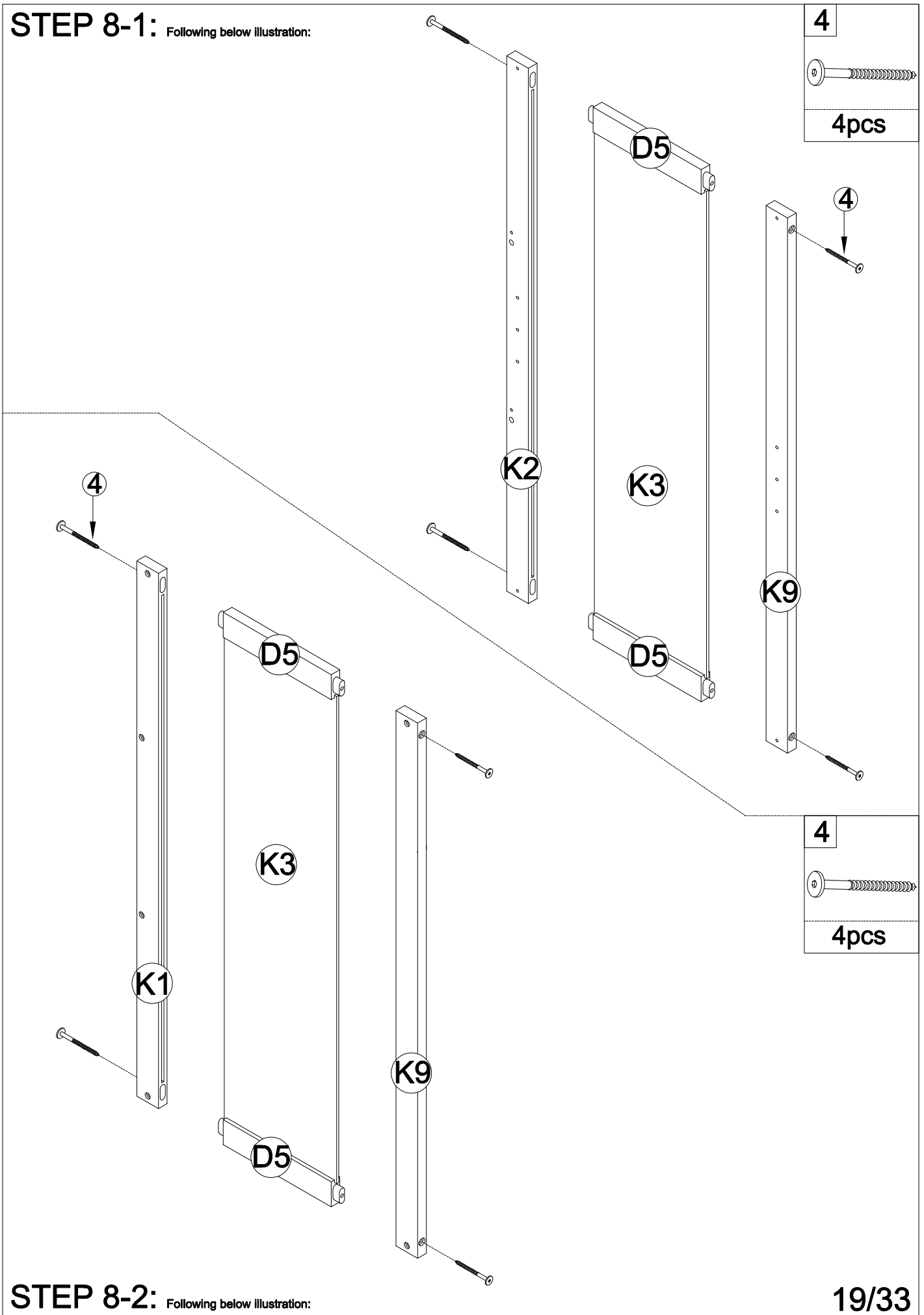
-Look at detail view for more detail



28 pcs

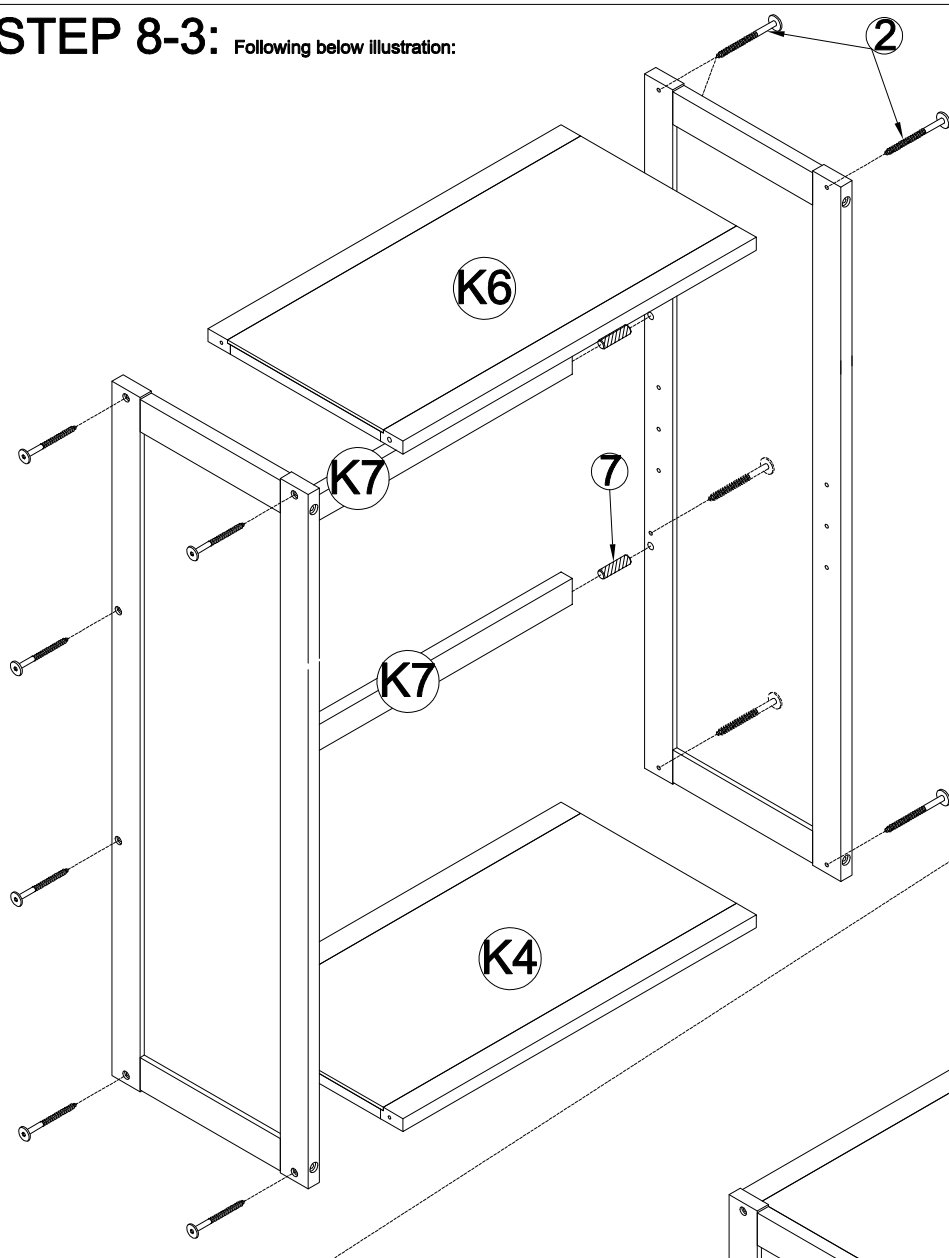


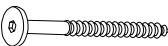
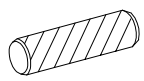
STEP 8-1: Following below illustration:




STEP 8-2: Following below illustration:

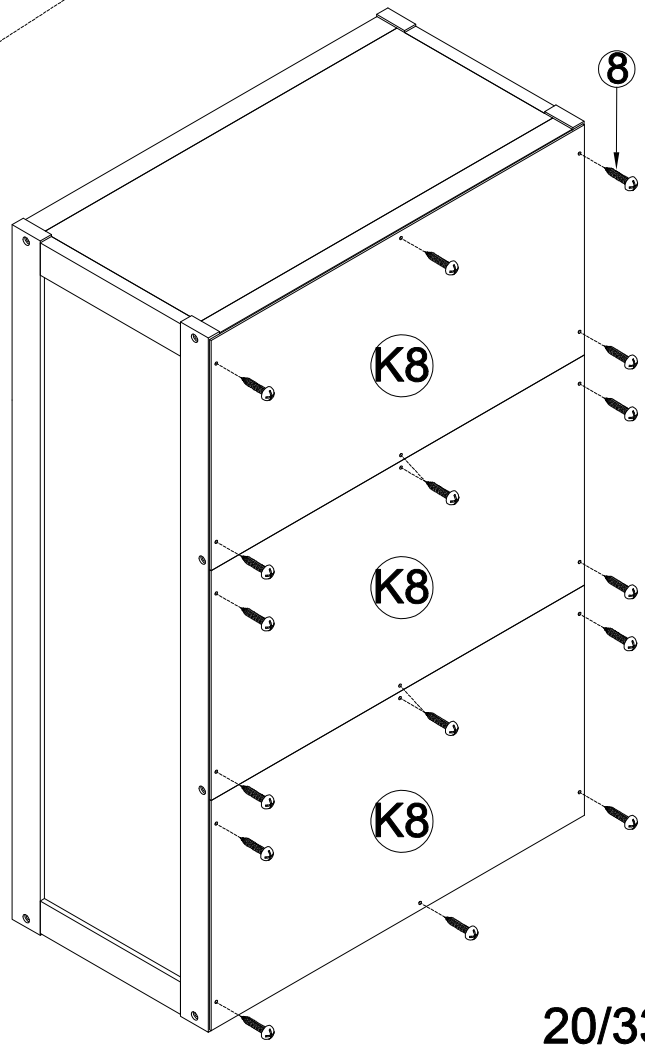
STEP 8-3: Following below illustration:



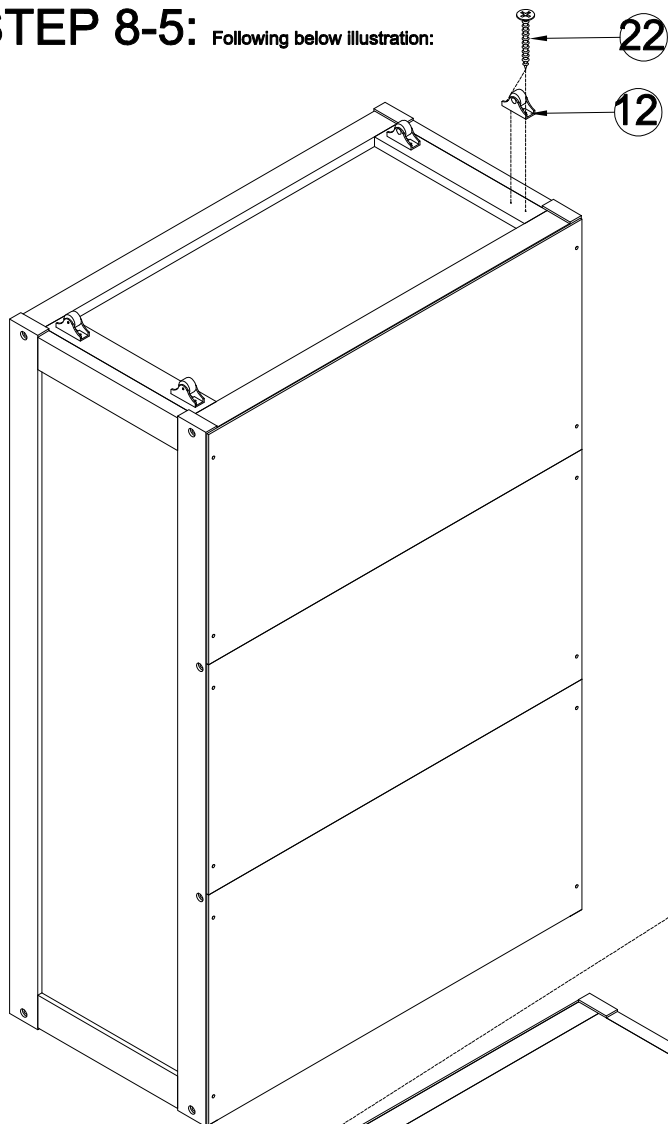
2

12pcs
7

4pcs


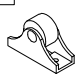
8

18pcs

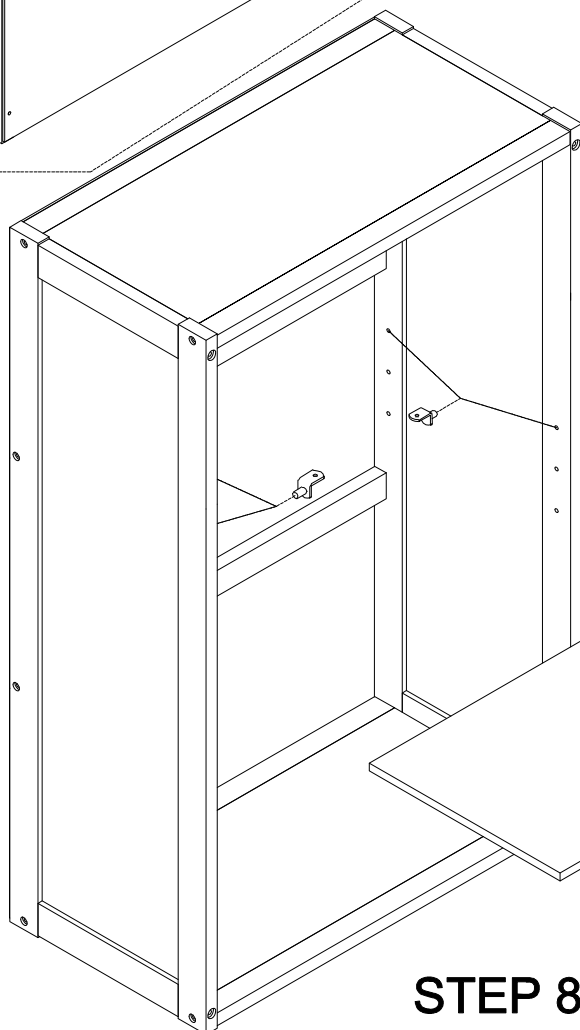
STEP 8-4: Following below illustration:


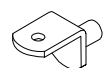


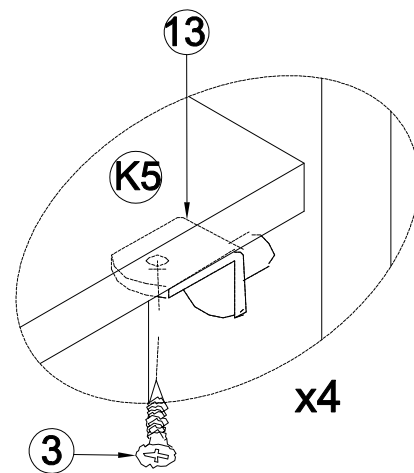
STEP 8-5: Following below illustration:



<p>22</p> 	<p>12</p> 
<p>8pcs</p>	<p>4pcs</p>

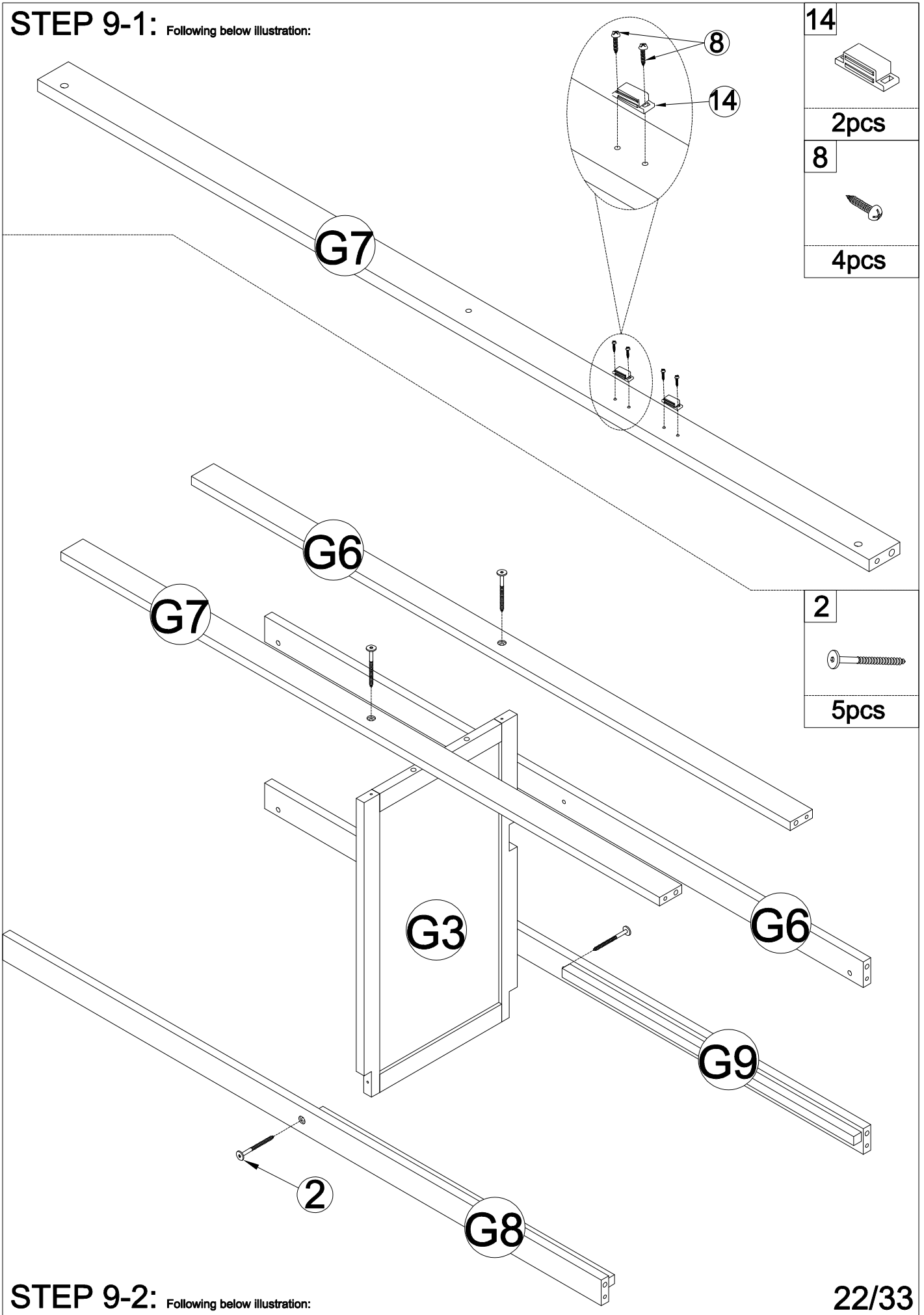


<p>3</p> 	<p>13</p> 
<p>4pcs</p>	<p>4pcs</p>



STEP 8-6: Following below illustration:

STEP 9-1: Following below illustration:

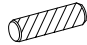



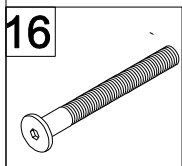
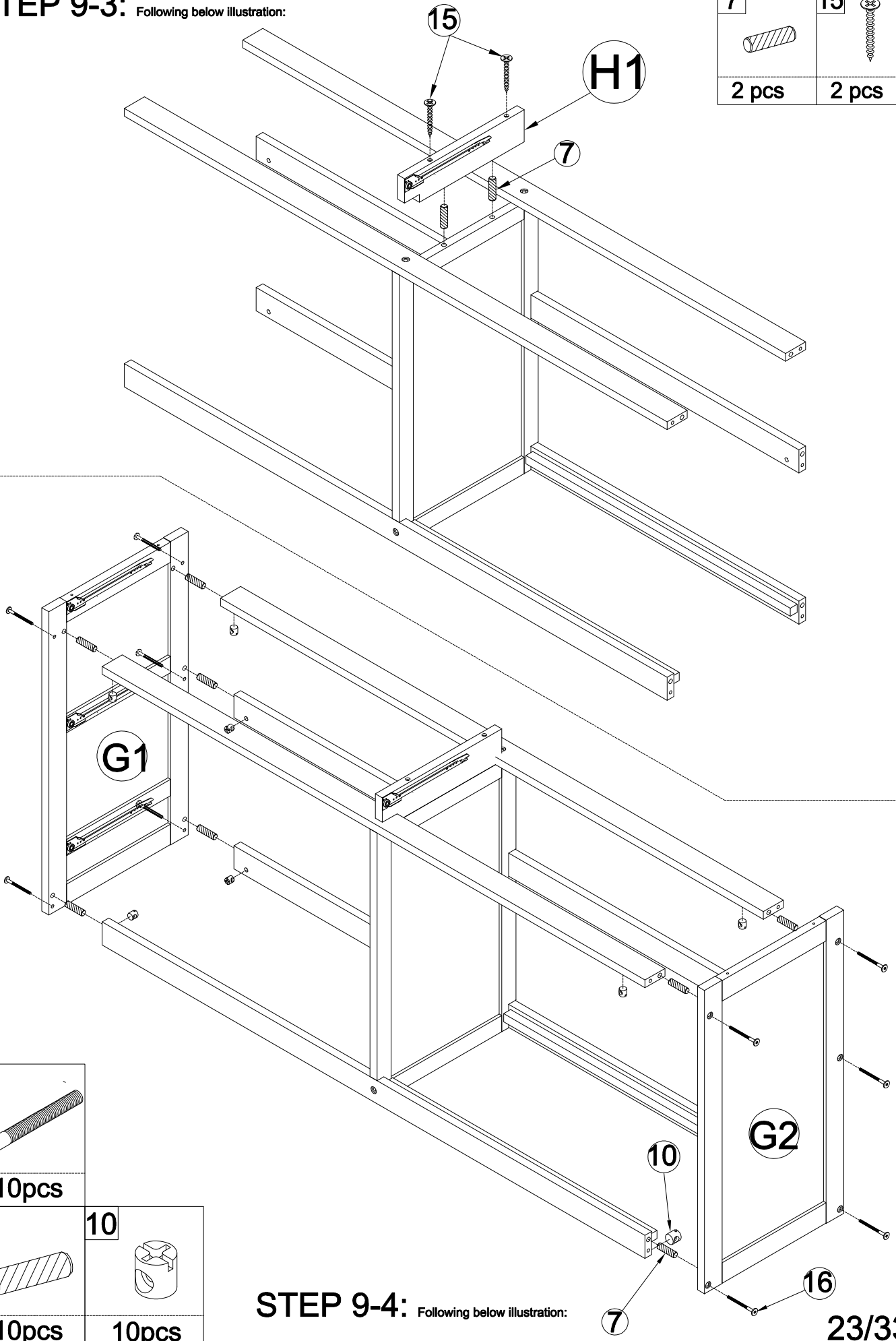
14	
	2pcs
8	
	4pcs

2	
	5pcs

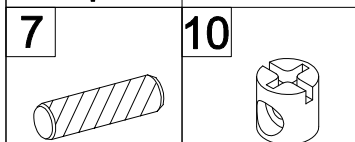
STEP 9-2: Following below illustration:

STEP 9-3: Following below illustration:

7	15
	
2 pcs	2 pcs



10pcs

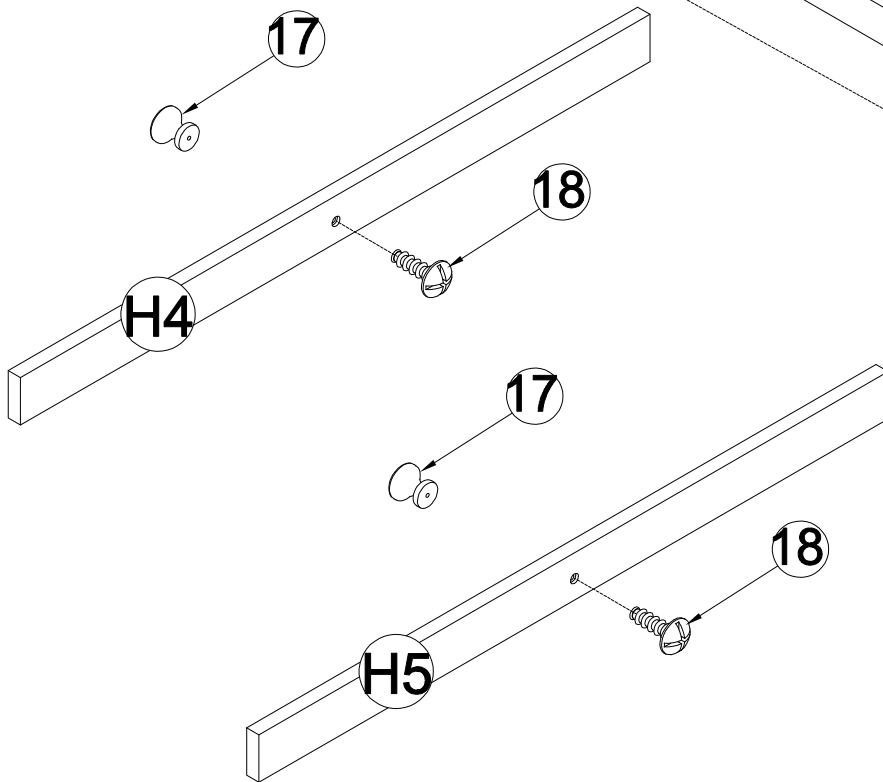
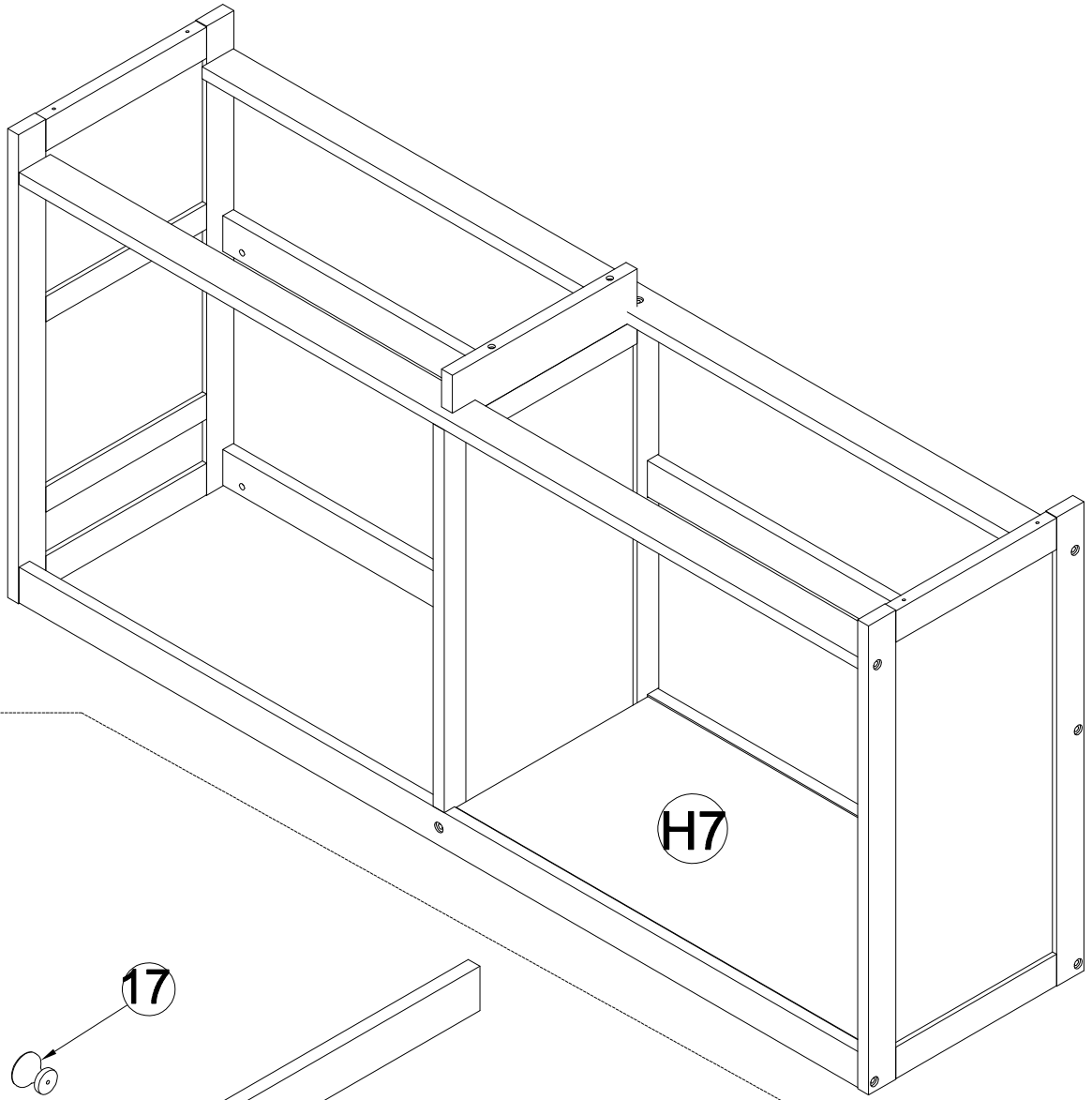




10pcs

10pcs

STEP 9-4: Following below illustration:

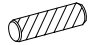

STEP 9-5: Following below illustration:

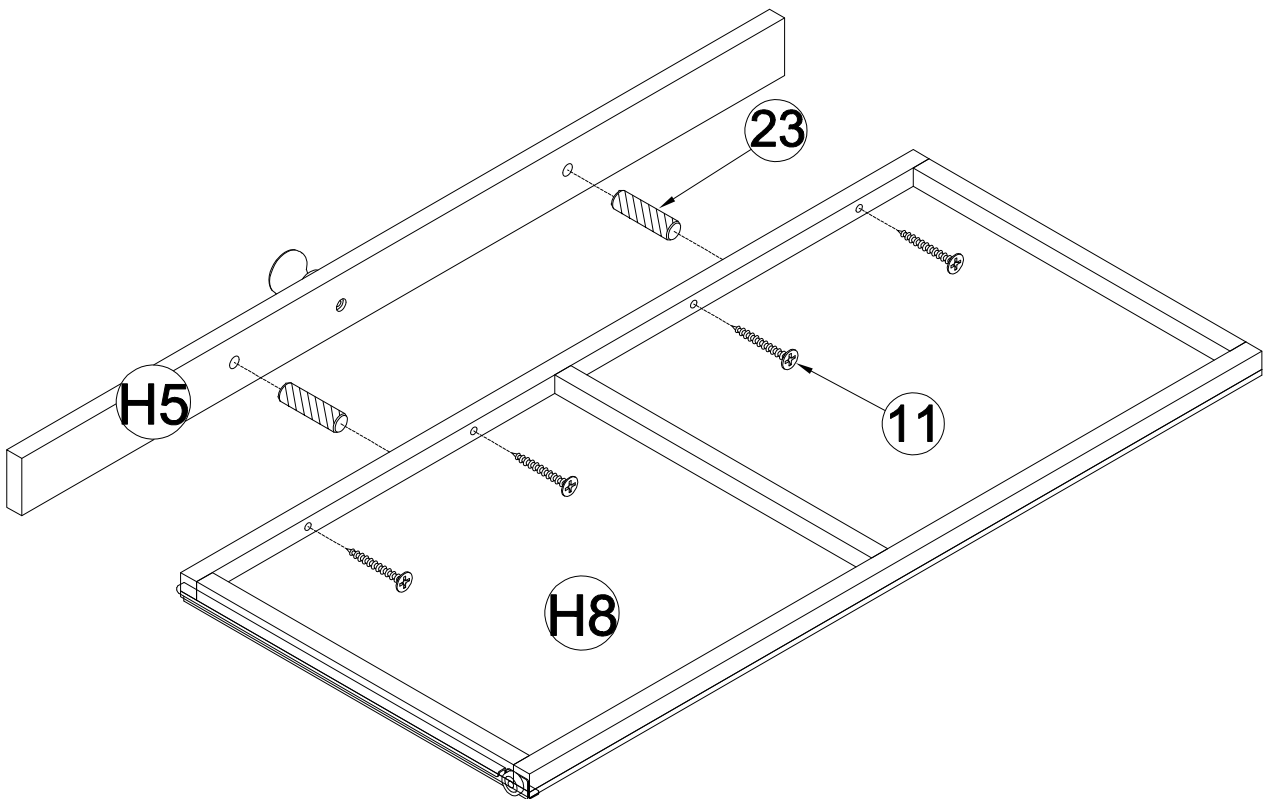
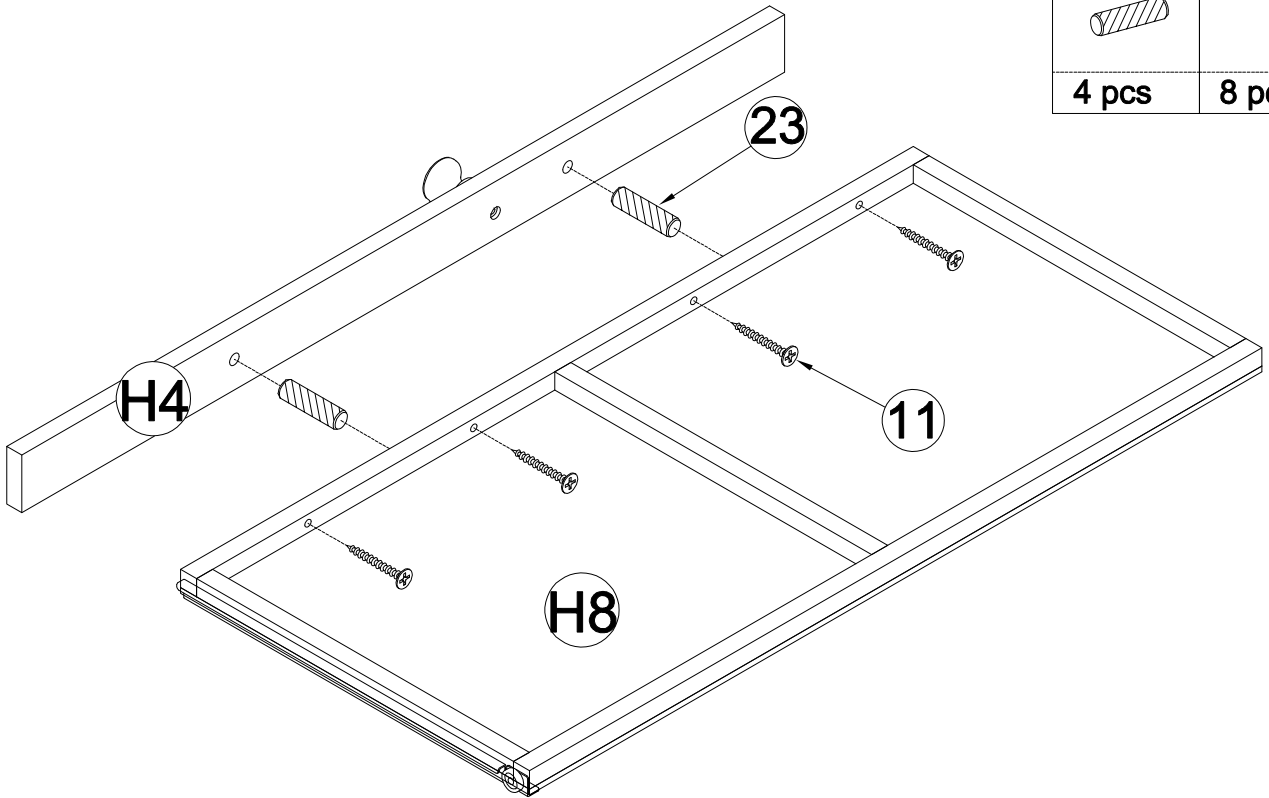


17 	18 
2pcs	2pcs



STEP 9-6: Following below illustration:

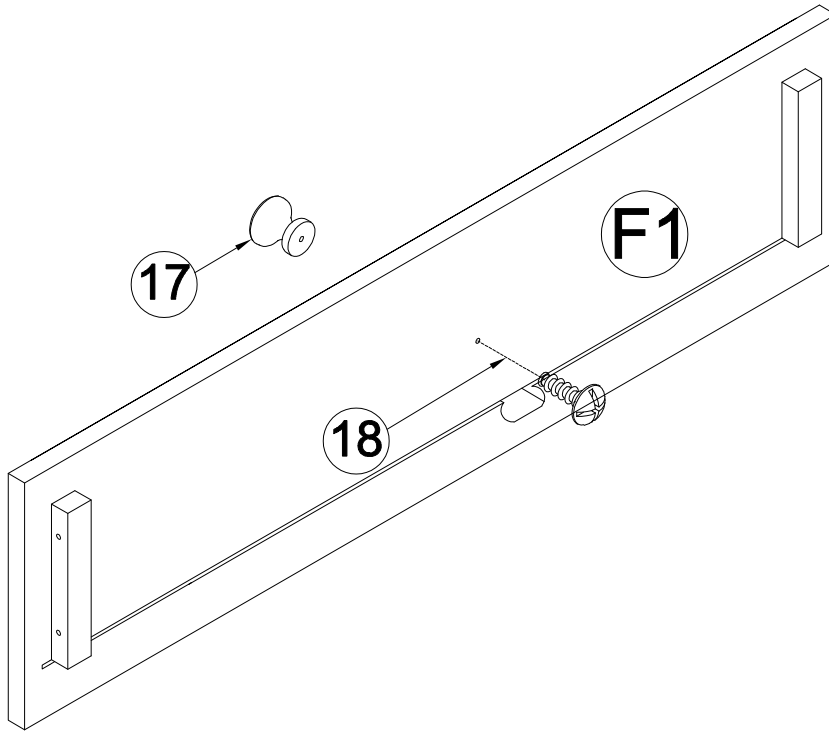
STEP 9-7: Following below illustration:

23 	11 
4 pcs	8 pcs

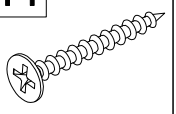


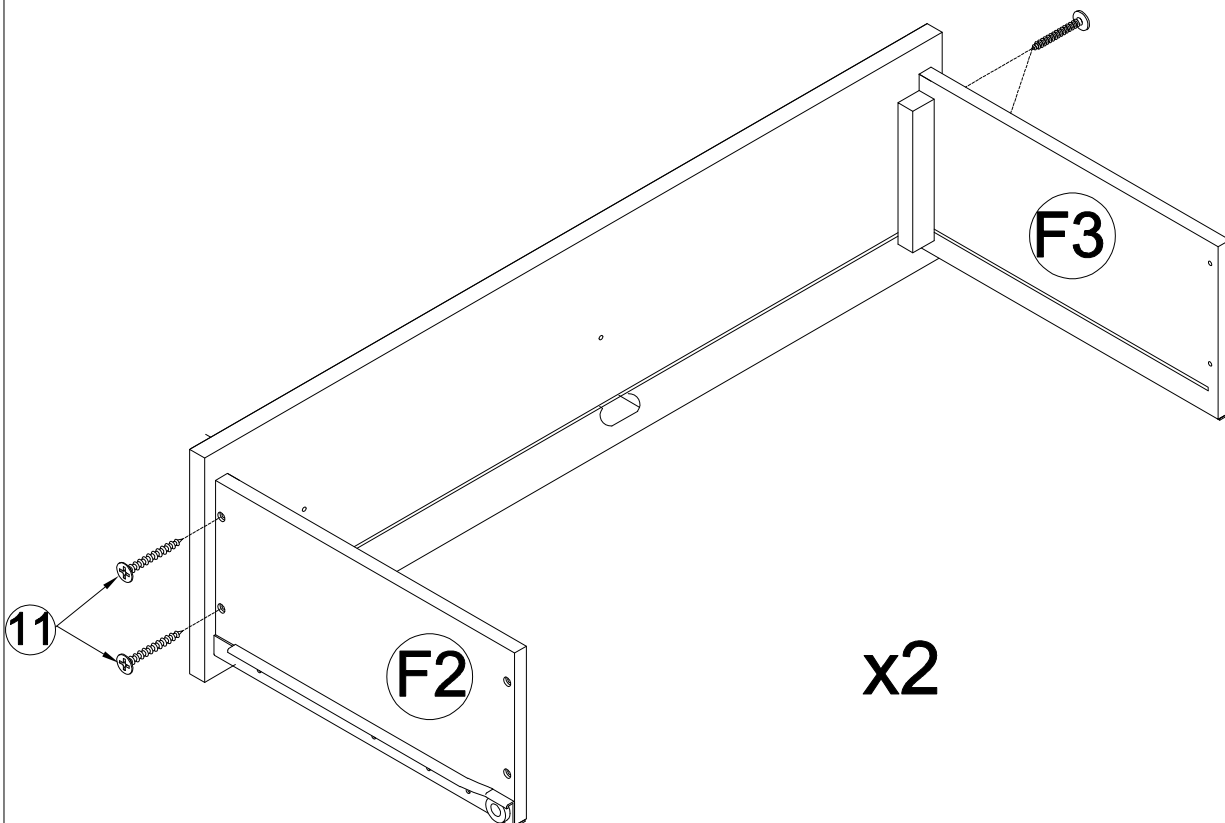
STEP 9-7-1: Following below illustration:

17	18
	
2pcs	2pcs

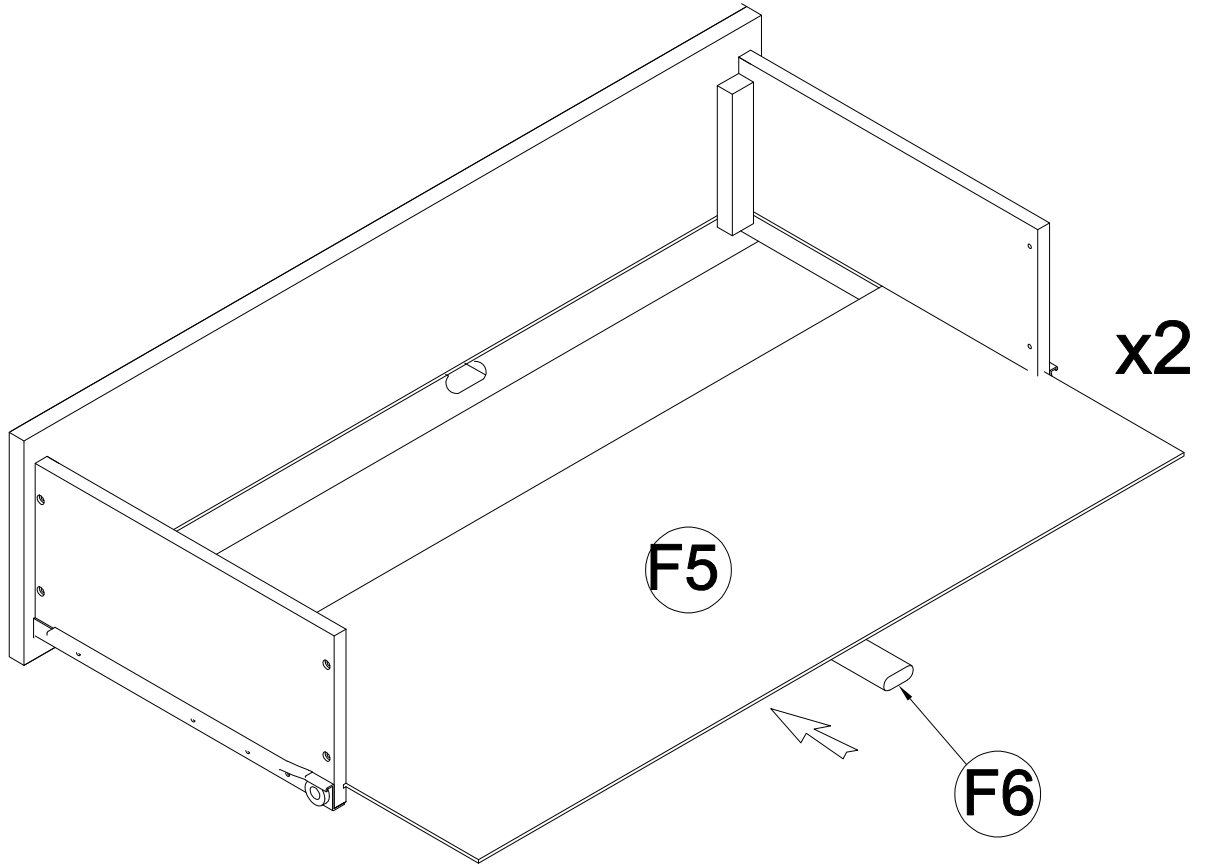


STEP 9-7-2: Following below illustration:

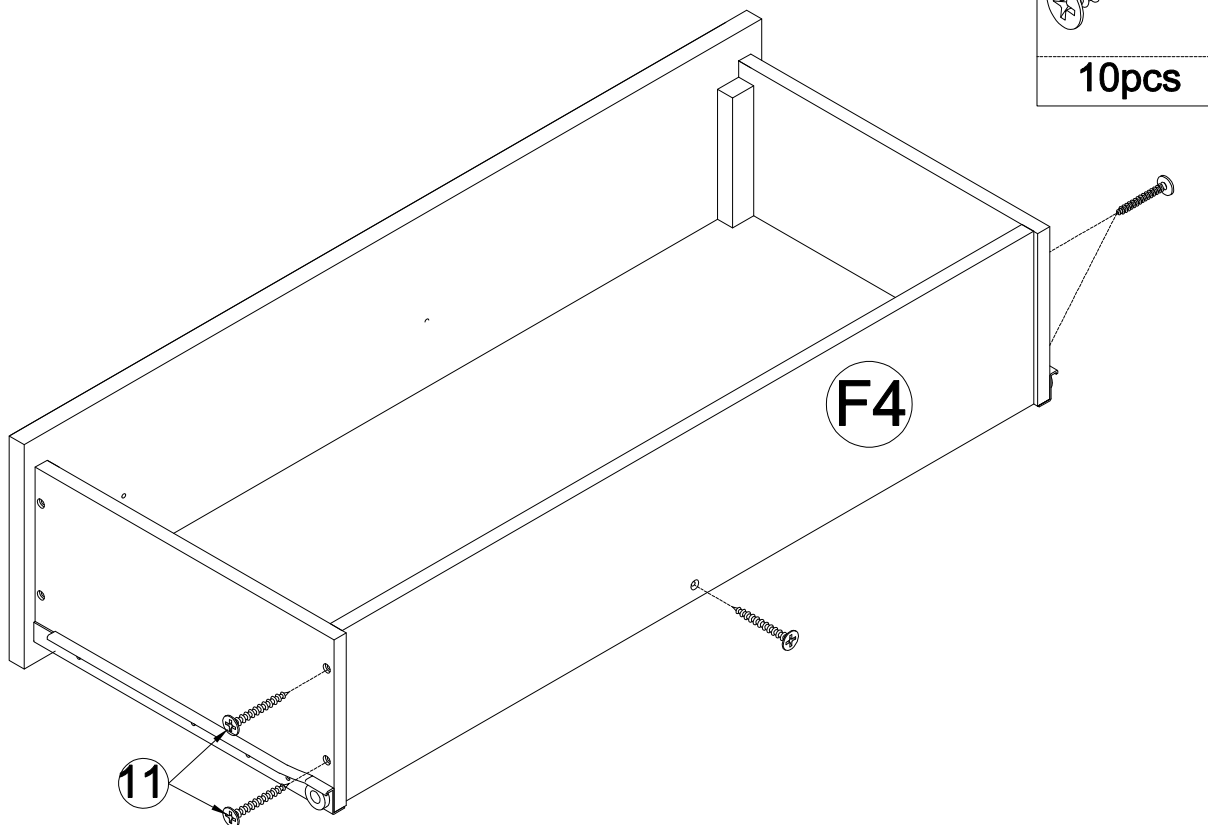
11

8pcs



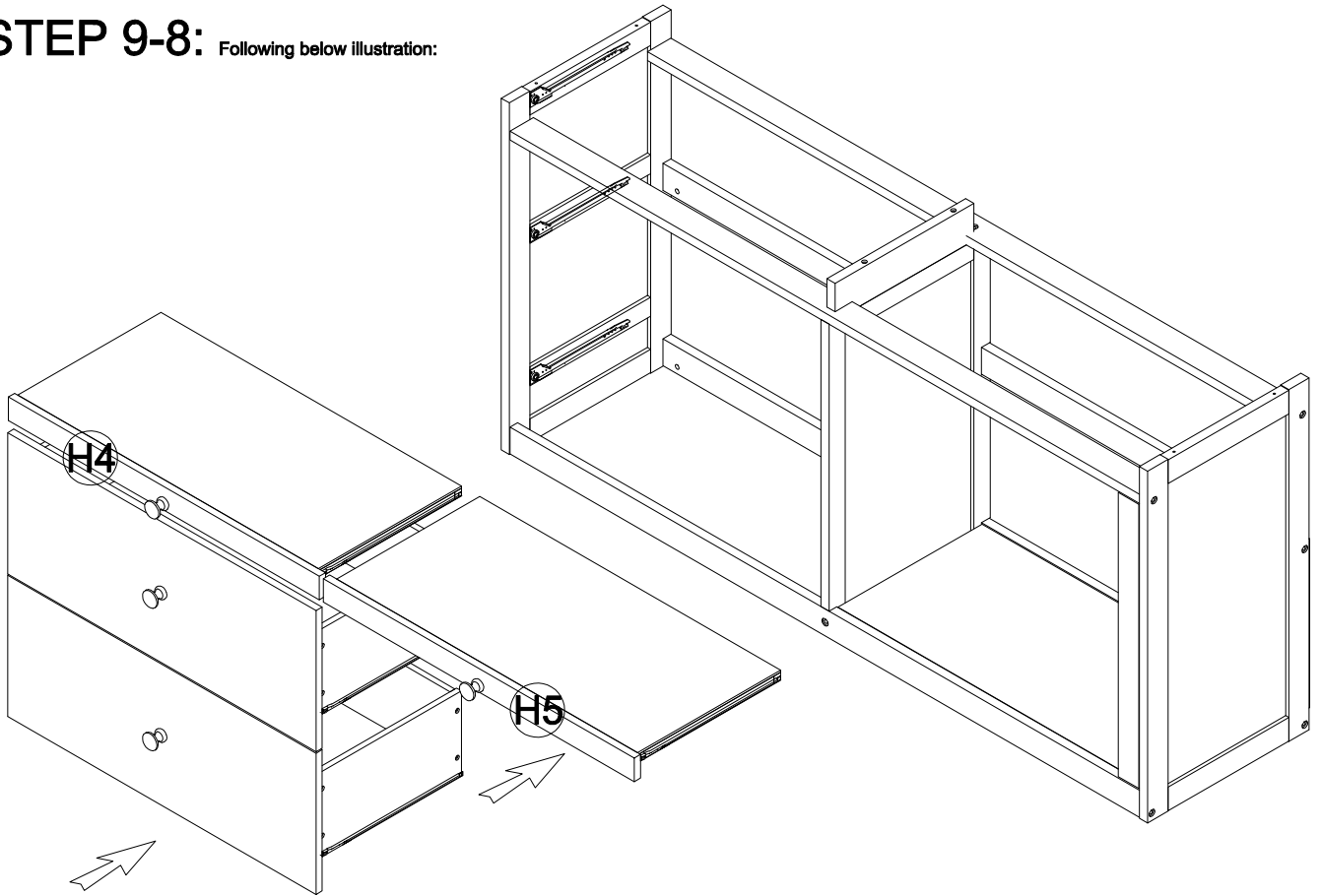
STEP 9-7-3: Following below illustration:



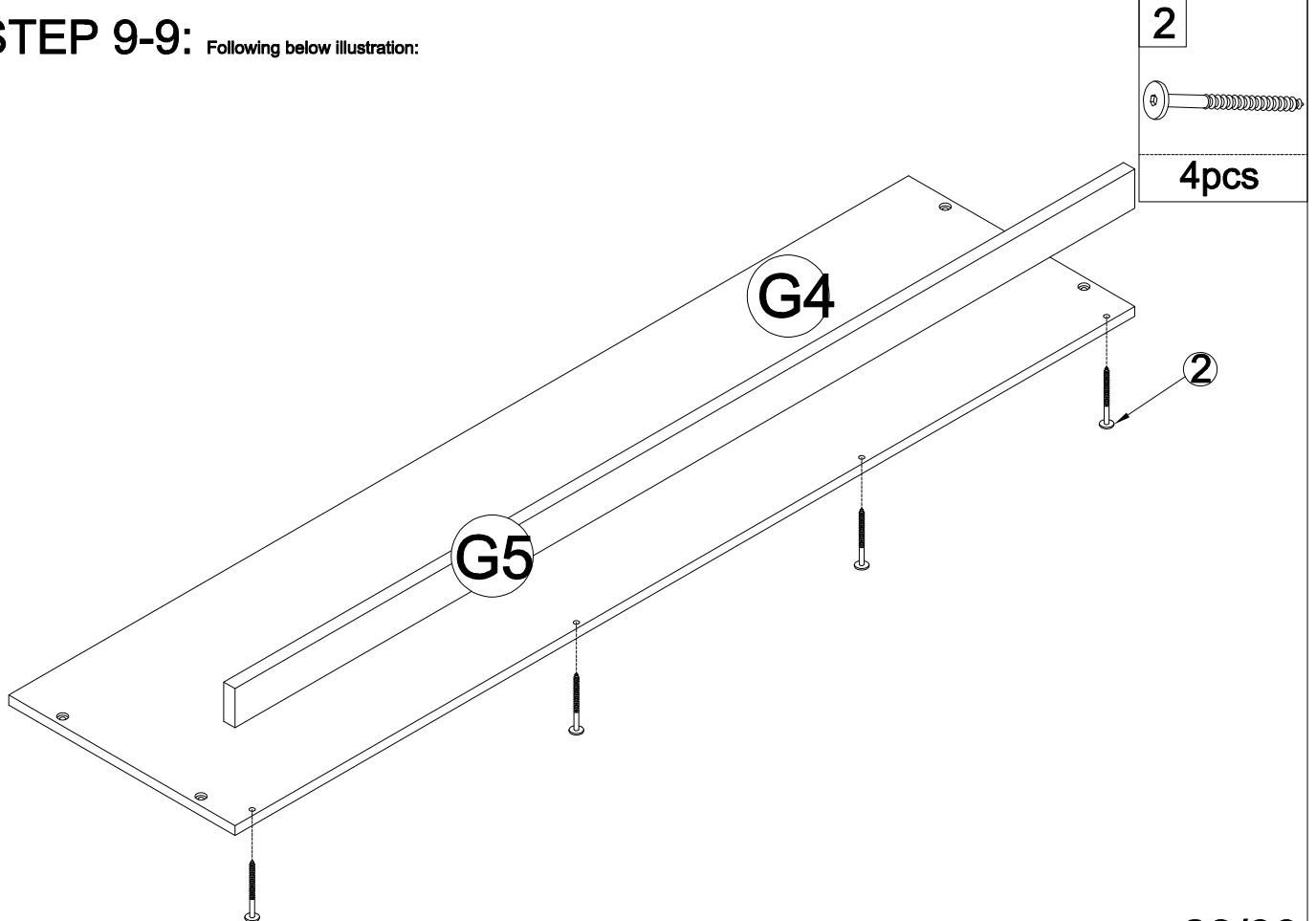
STEP 9-7-4: Following below illustration:



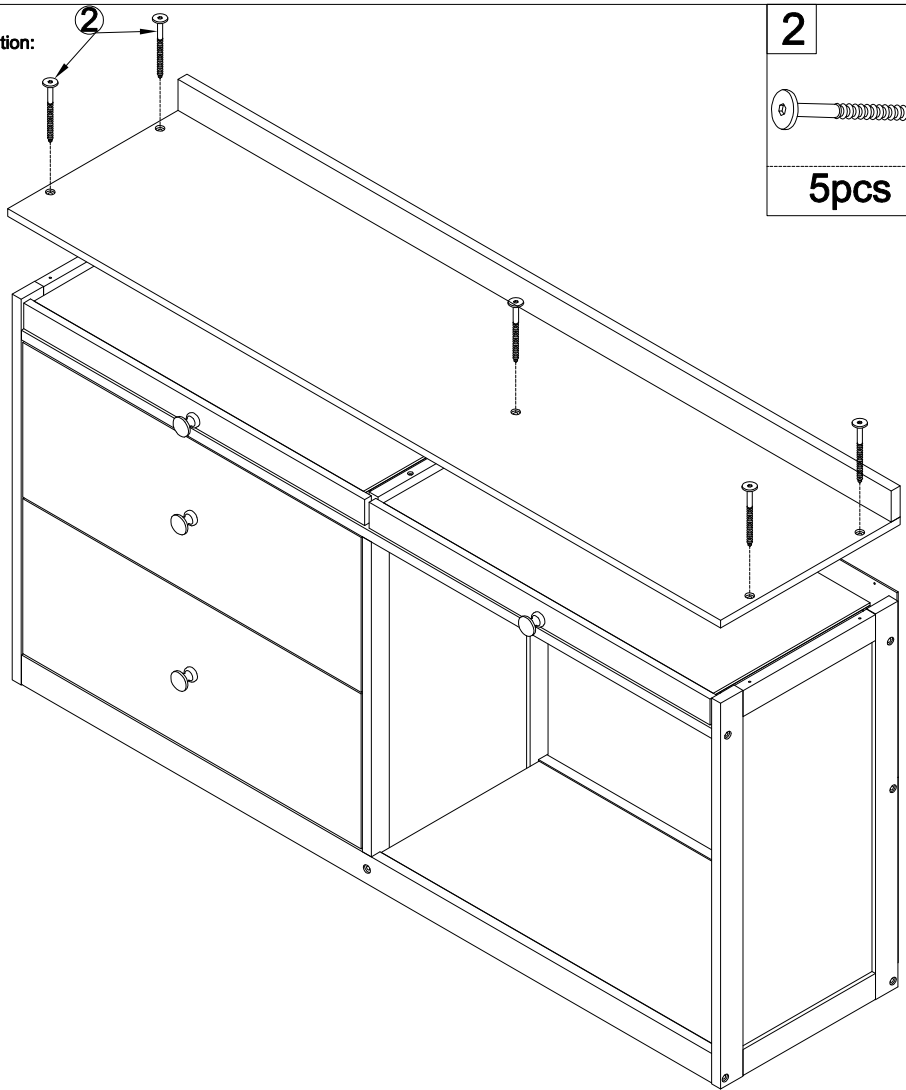
STEP 9-8: Following below illustration:

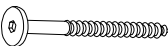


STEP 9-9: Following below illustration:

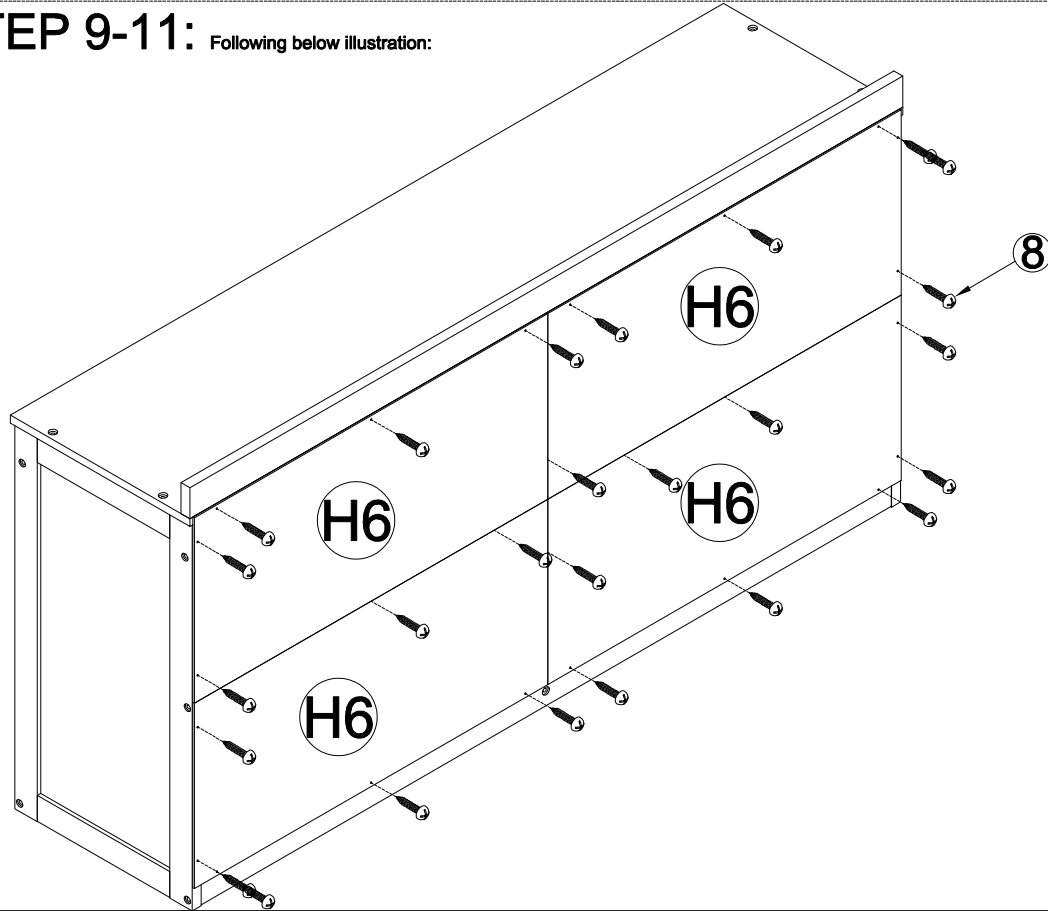



STEP 9-10: Following below illustration:



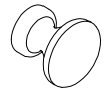
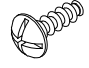
2

5pcs

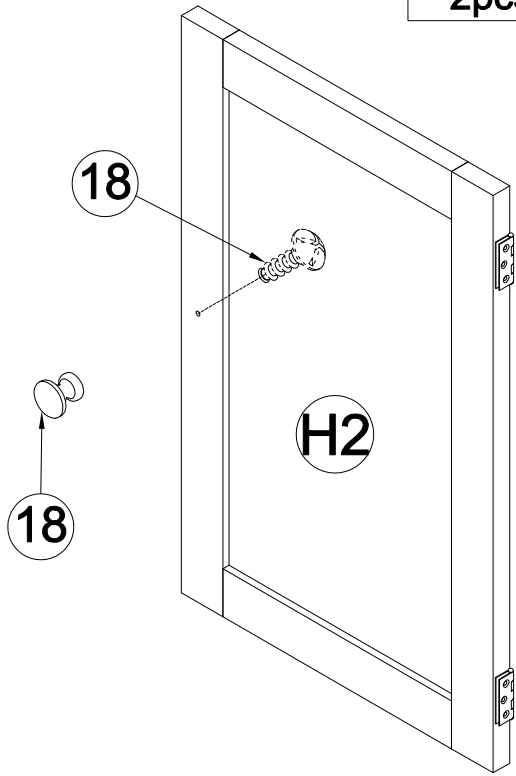
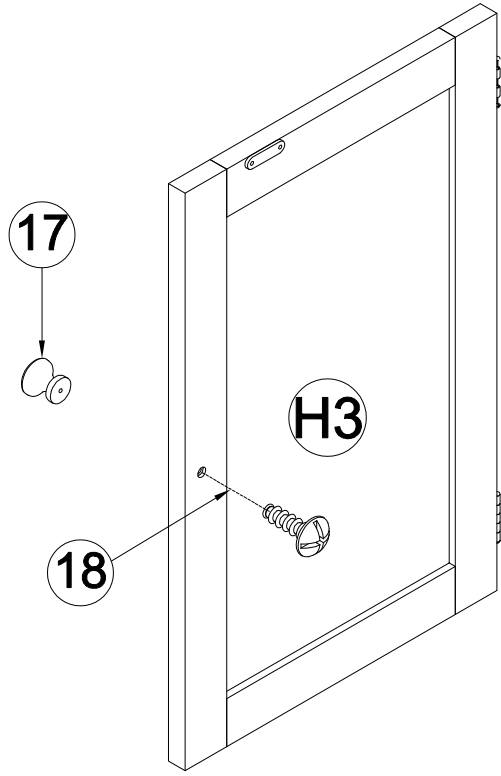
STEP 9-11: Following below illustration:



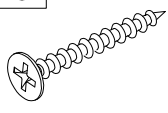
8

26pcs

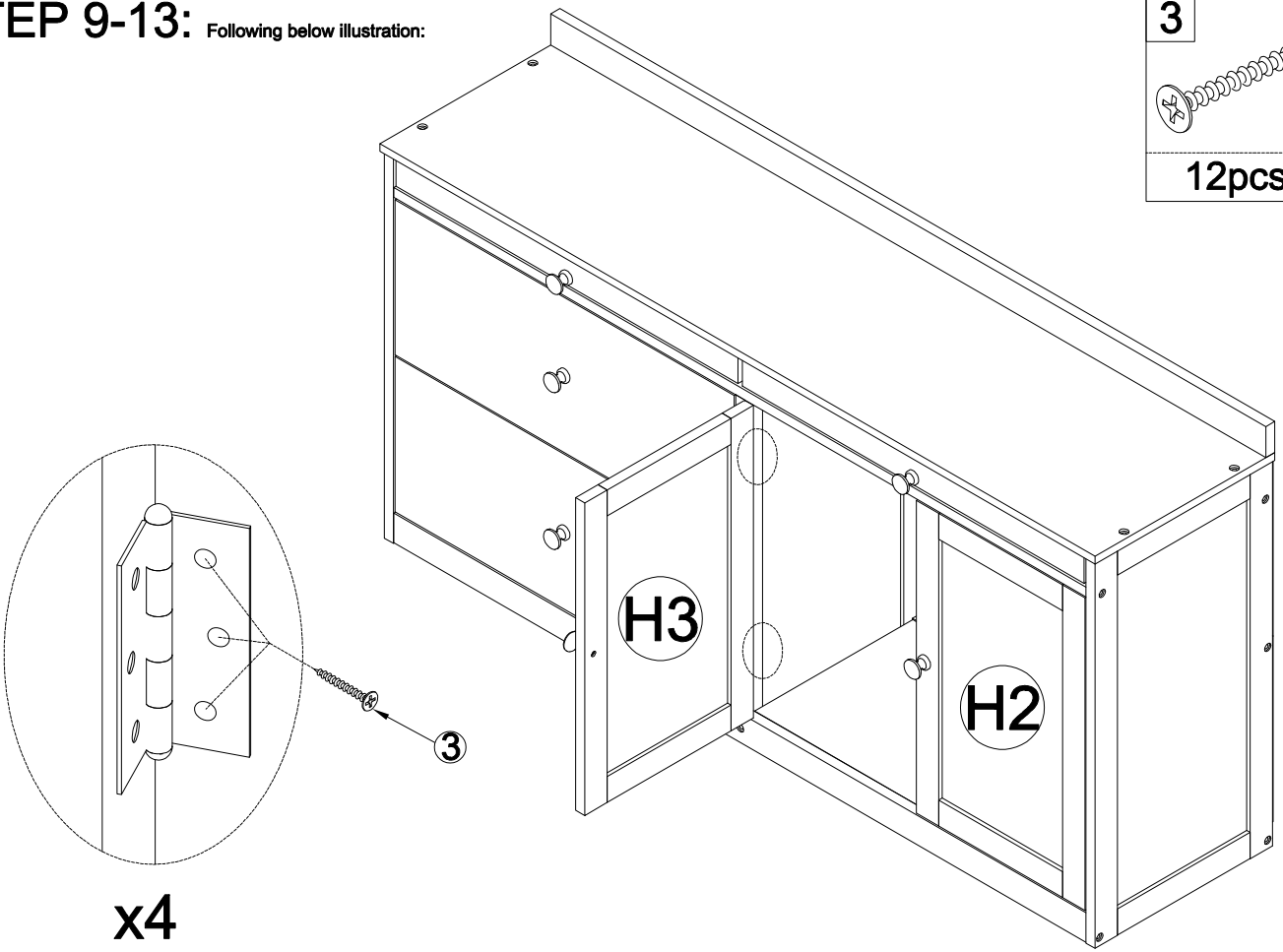
STEP 9-12: Following below illustration:

17 	18 
2pcs	2pcs

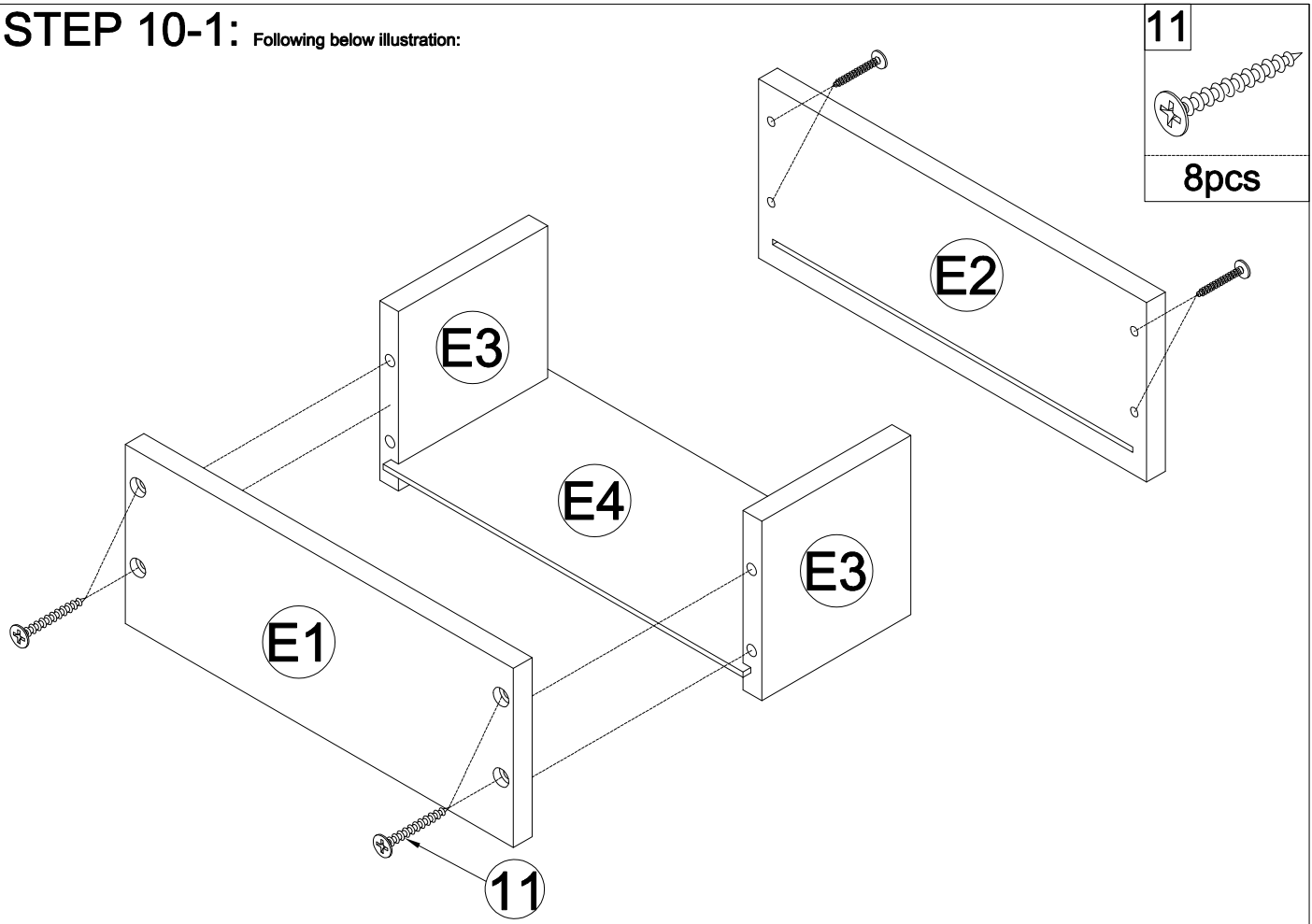


STEP 9-13: Following below illustration:

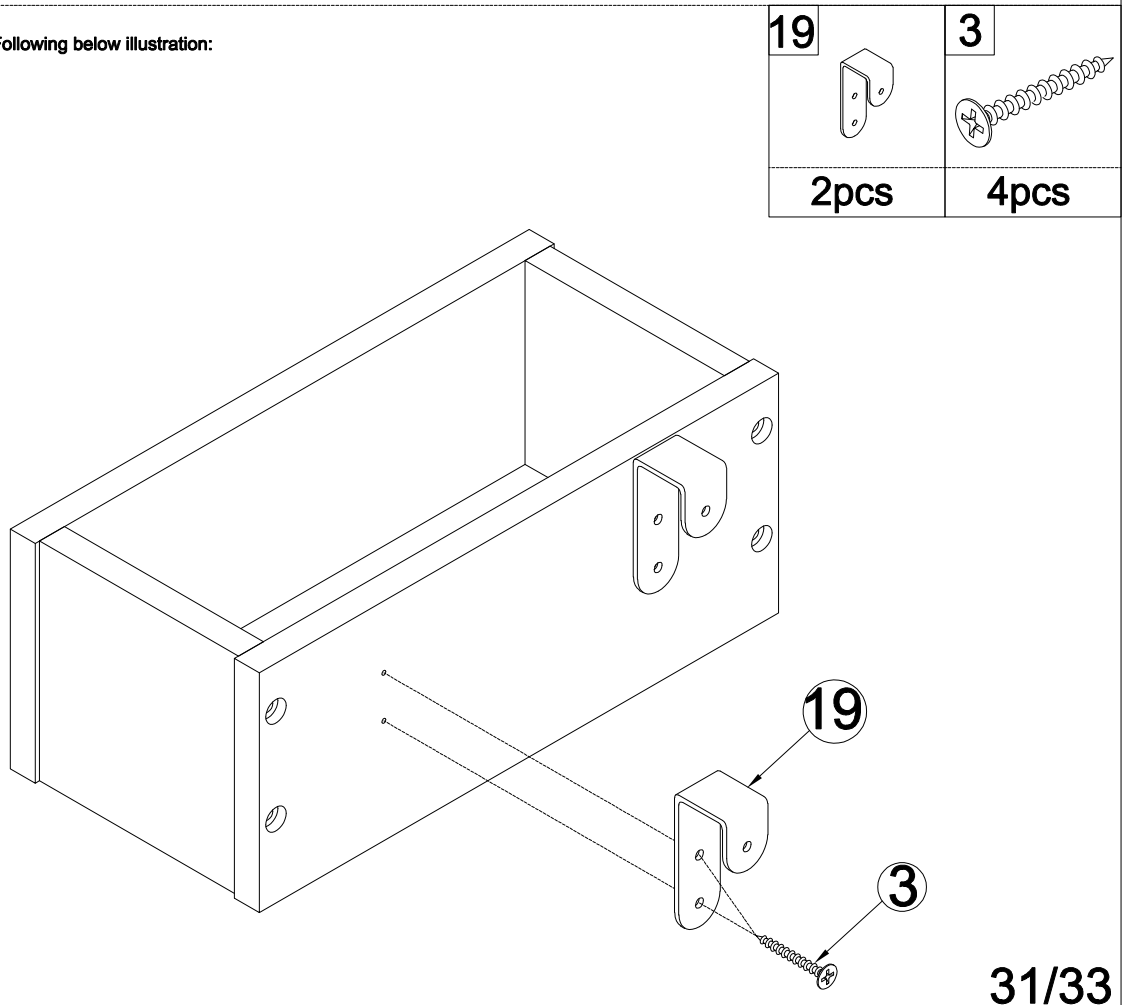
3 
12pcs



STEP 10-1: Following below illustration:

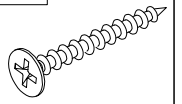


STEP 10-2: Following below illustration:

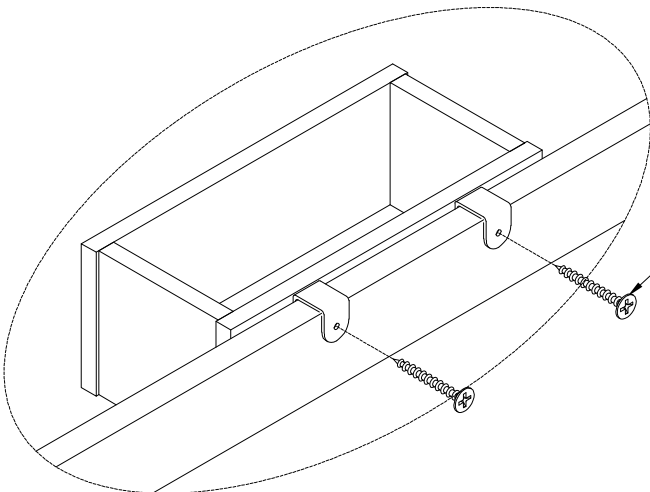
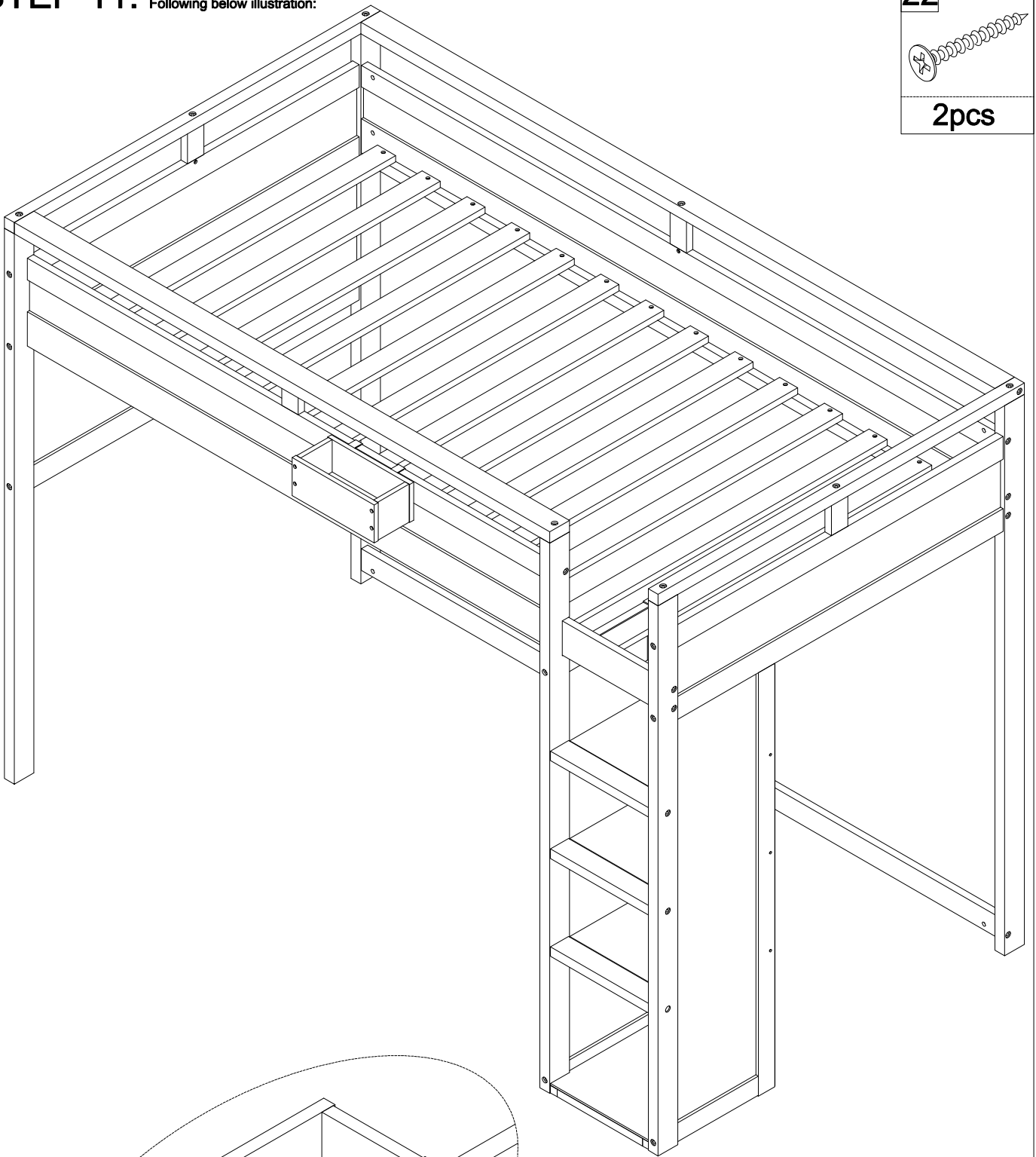


STEP 11: Following below illustration:

22



2pcs



22

STEP 12: Following below illustration:

-Push Cabinet and Shelf into Right Place

