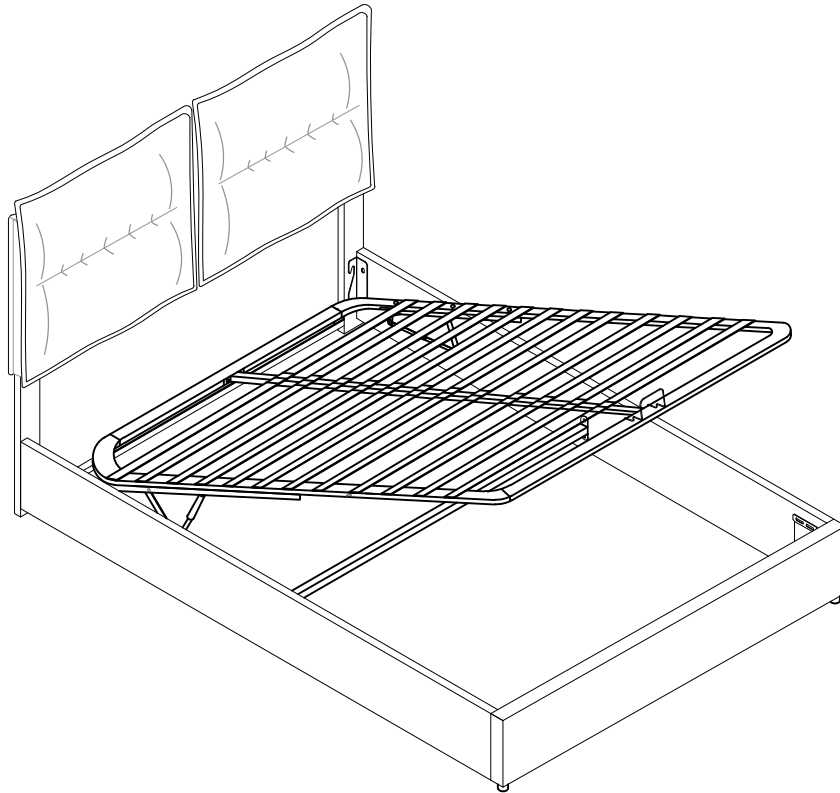
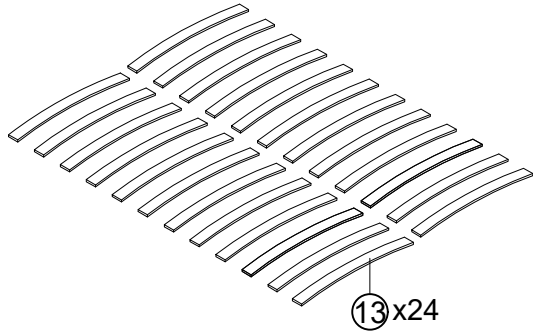
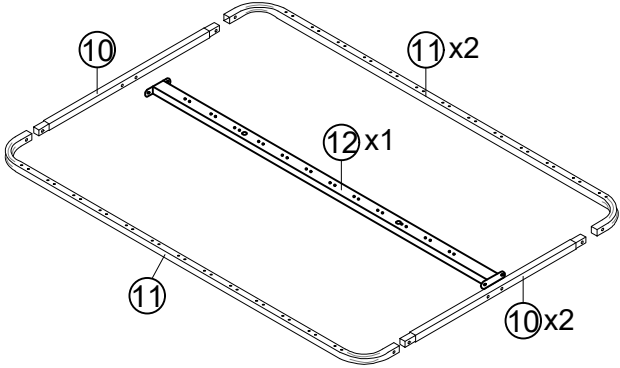
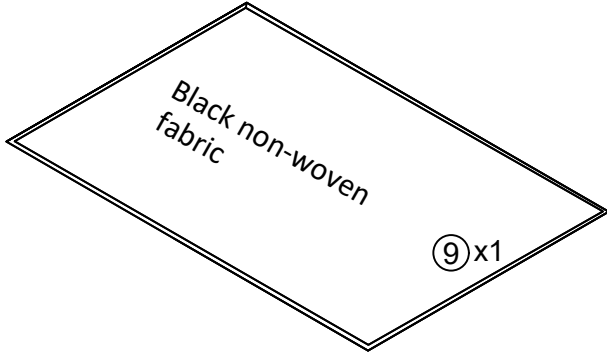
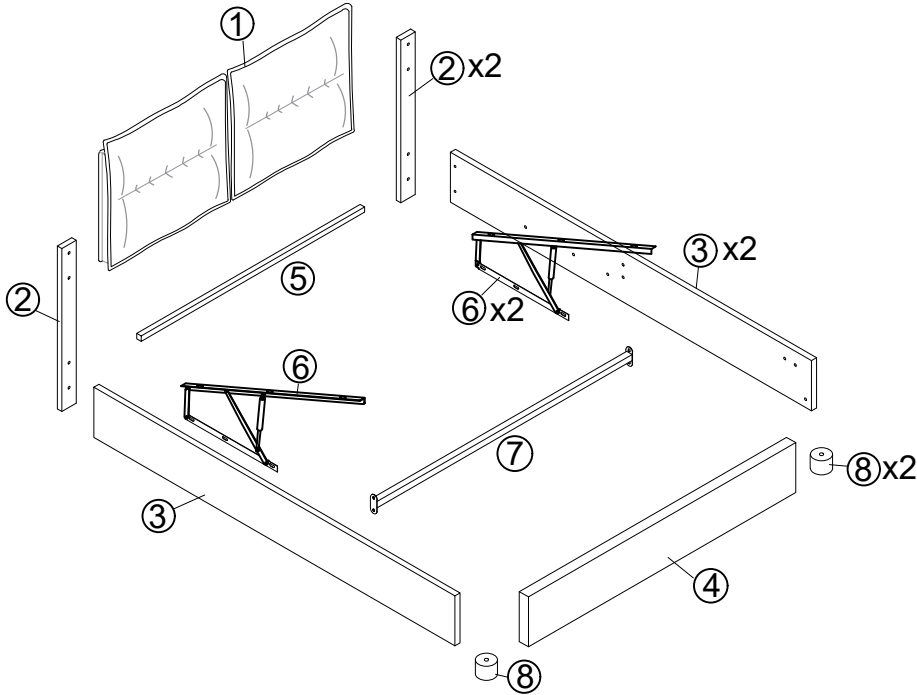


# ASSEMBLY INSTRUCTION

SKU: WF303393 + WF303394

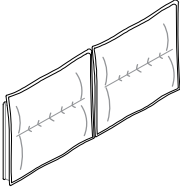

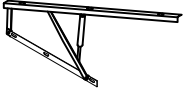
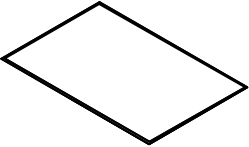


# Detail View

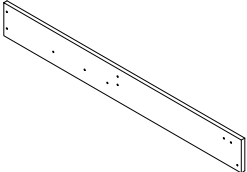
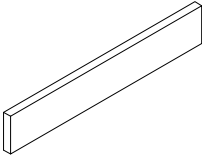
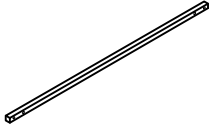
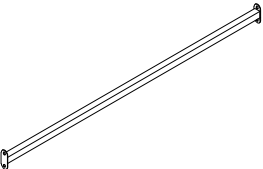
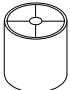
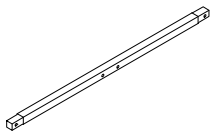
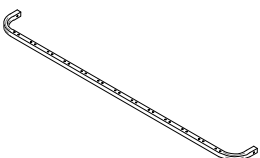
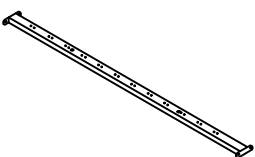
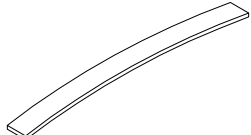


# Part List






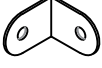
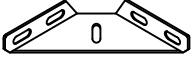
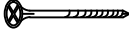



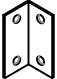


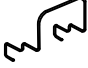
WF303393

<p><b>1</b></p>  <p>Head board-1pc</p>	<p><b>2</b></p>  <p>Head board leg-2pcs</p>	<p><b>6</b></p>  <p>Gas lift -2pcs</p>
<p><b>9</b></p>  <p>Black non-woven fabric-1pc</p>		

## Hardware List+WF303394

<p><b>3</b></p>  <p>Side rails-2pcs</p>	<p><b>4</b></p>  <p>Foot board -1pc</p>	<p><b>5</b></p>  <p>Head board cross bar-1pc</p>
<p><b>7</b></p>  <p>Cross bar-1pc</p>	<p><b>8</b></p>  <p>Legs-2pcs</p>	<p><b>10</b></p>  <p>Metal frame cross bar-2pcs</p>
<p><b>11</b></p>  <p>Metal frame side bar-2pcs</p>	<p><b>12</b></p>  <p>Metal frame middle bar-1pc</p>	<p><b>13</b></p>  <p>Slat-24pcs</p>

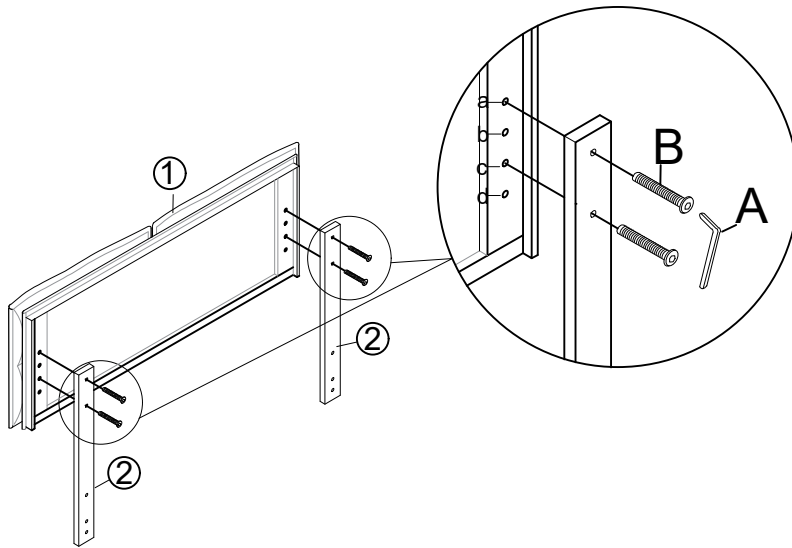
# Hardware List



<b>A</b>  20*70mm	<b>B</b>  Ø8*45mm	<b>C</b>  156*24*2mm
Allen Key(1pc)      Bolts(18pcs)      Three hole iron(2pcs)		
<b>D</b>  Ø8*18mm	<b>E</b>  Ø15mm	<b>F</b>  35*47*47mm
Bolts(38pcs)      Nuts(14pcs)      Little "7" Connector(2pcs)		
<b>G</b> 	<b>H</b>  Ø4*50mm	<b>I</b>  Ø12mm
Metal Corner(2pcs)      Nails(2pcs)      Nuts(4pcs)		
<b>J</b>  70*23mm	<b>K</b>  150*40mm	<b>L</b>  75*33*33mm
Spanner(1pc)      Hinge(2pcs)      "7" Connector(1pc)		
<b>N</b>  55*52*11mm	<b>O</b>  55*27*11mm	<b>P</b>  140*118mm
Middle slats cap(12pcs)      End slats cap(24pcs)      Stopper(1pc)		

Attention: Do not tighten the screws before completing the entire installation. If you have any difficulty with the installation process, please feel free to contact us.

## Step 1x2

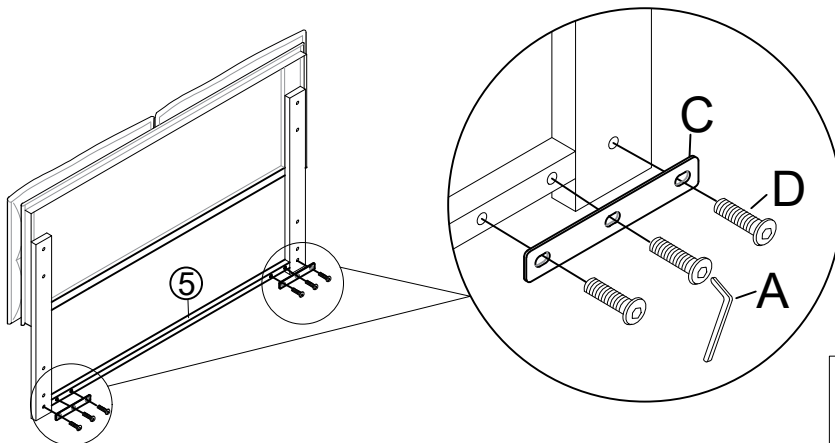
Fix the Headboard legs ② to the headboard ① with Bolts B by using Allen key A, You can chose the hole a and c , or b and d.






A Allen Key	B Bolts x 4 M8X45mm
	

## Step 2x2

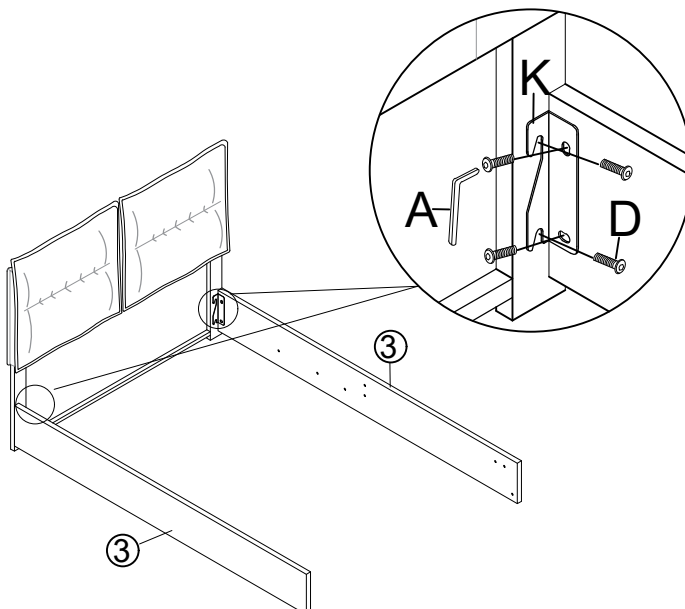
Fix the Headboard cross bar ⑤ to the Headboard legs ② with Bolt D and Three hole iron C by using Allen key A.



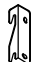


A Allen Key	C Three hole iron x2	D Bolts x 6 M8X18mm
		

## Step 3 x2

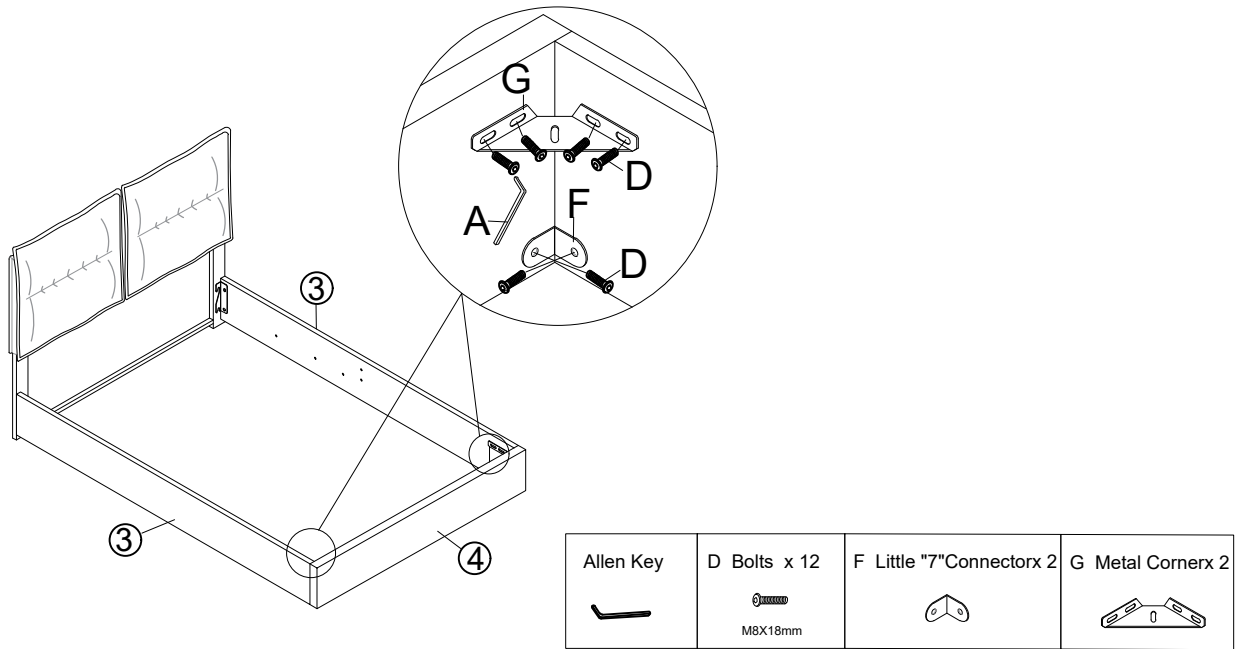
Fix the side rails ③ to the side head board legs ② with Bolts D and Hinges K by using Allen key A



A Allen Key	D Bolts x 8 M8X18mm	K Hinge x2
		

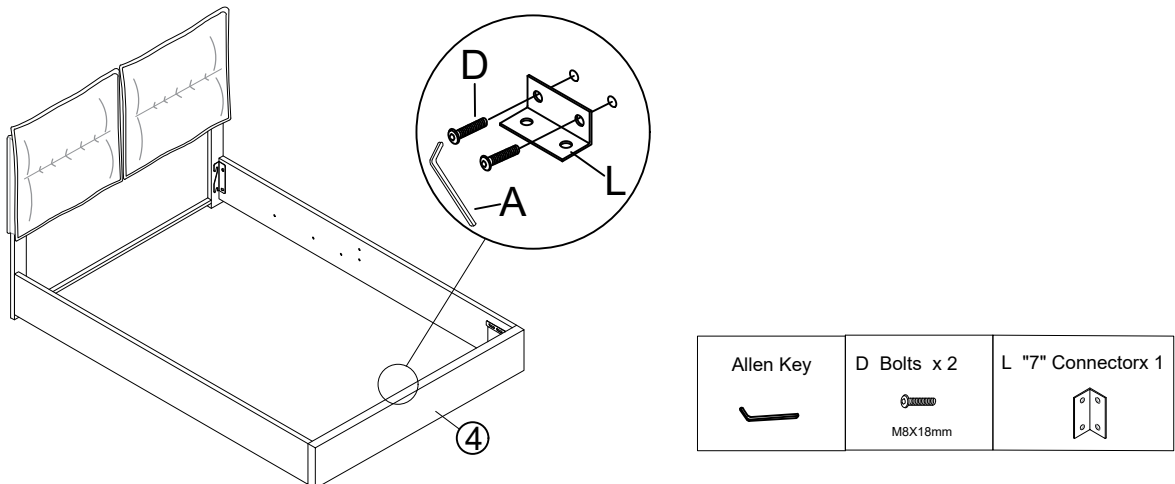
## Step 4 x2

Fix the Siderails ③ to the footboard ④ with Metal corner G, Little "7" Connector F and Bolt D by using Allen key A.



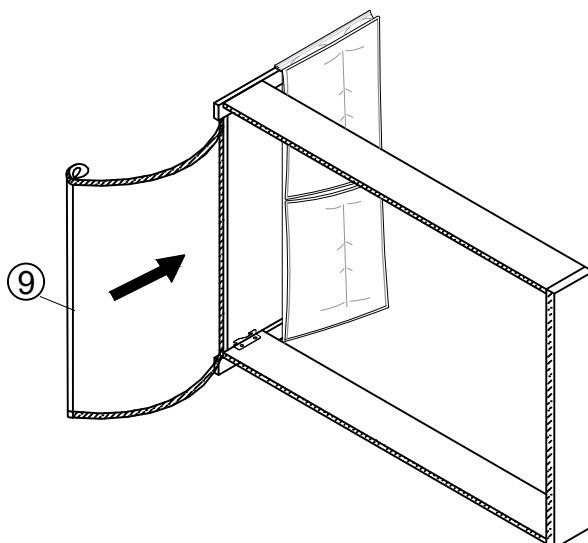
## Step 5

Fix the "7" Connector L to the footboard ④ with Bolt D by using Allen key A.



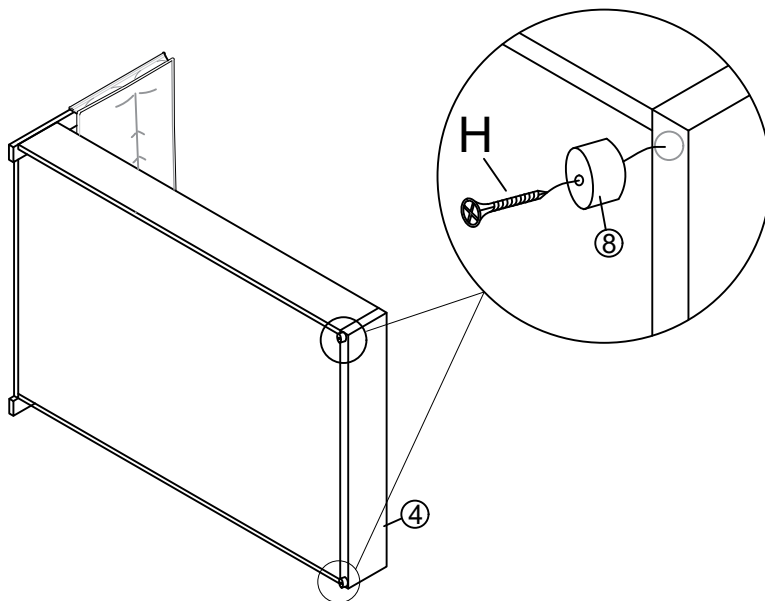
## Step 6


Stick the black non-woven fabric ⑨ To the bottom of bed



## Step 7 x2

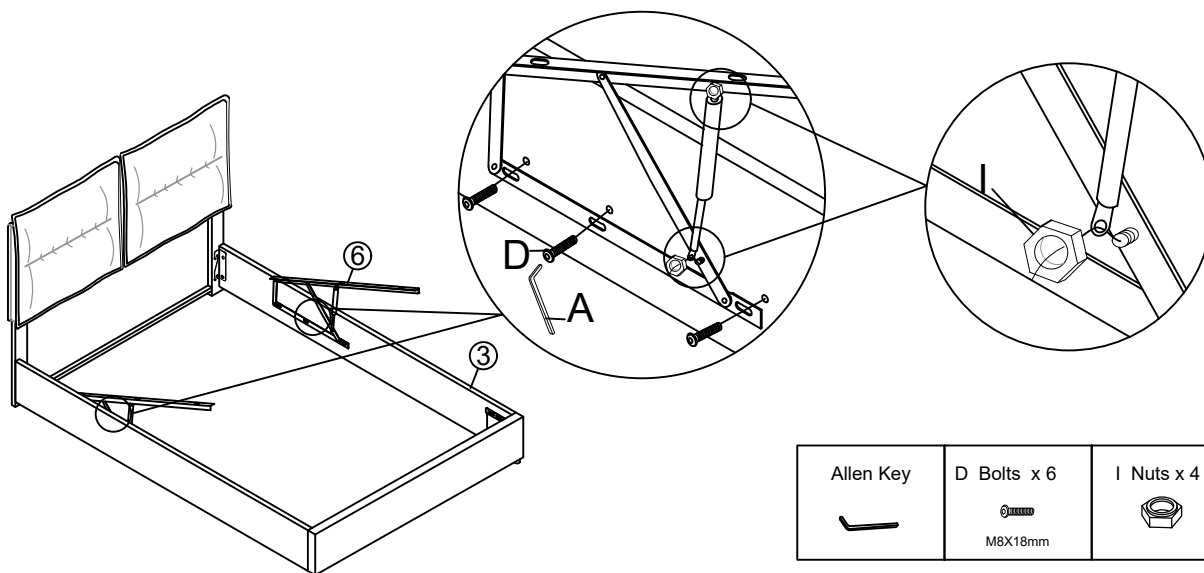
Fix the legs ⑧ to the footboard ④ with nails H by using electric drill or screw driver






H Nails x2

M4X50mm

## Step 8

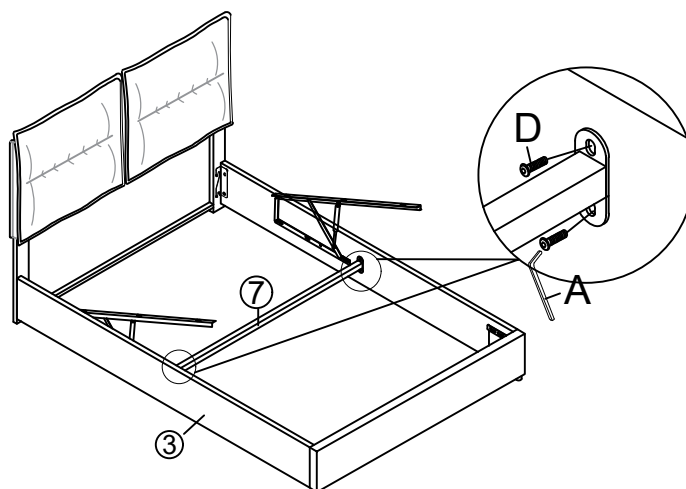
Fix the gas lifts ⑥ to the Siderails ③ with Blots D by using Allen Key A or electric drill, fix the gas bar to the gas lifts ⑥ with nuts I.





Allen Key	D Bolts x 6	I Nuts x 4
	 M8X18mm	

## Step 9

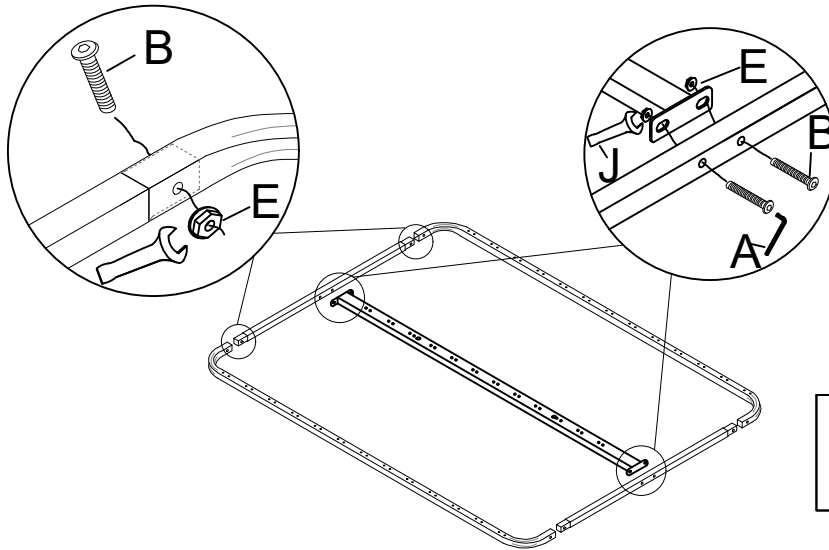
Fix the cross bar ⑦ to the side rails ③ with bolts D by using Allen Key A or screw driver.






Allen Key	D Bolts x 4
	 M8X18mm

## Step 10

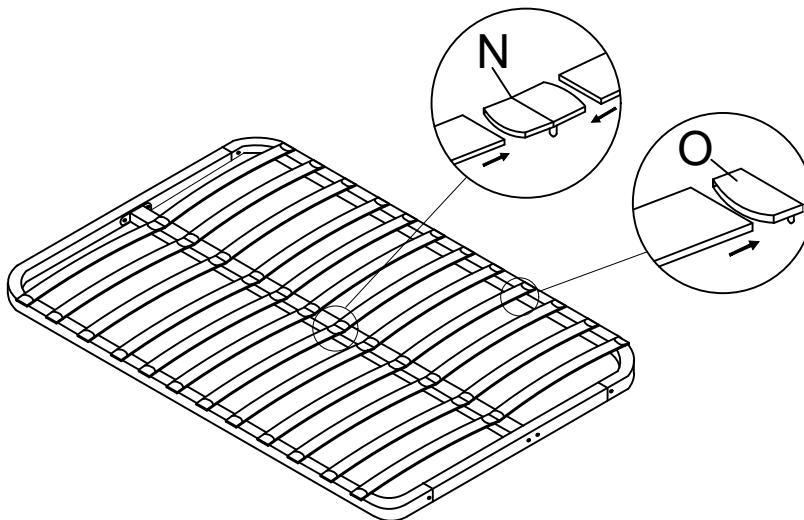
Assemble the slats frame with bolts B and nuts E by using Spanner J


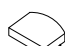


B Bolts x8  M8X45mm	E Nuts x8 	J Spanner x1 
--	--	---

## Step 11

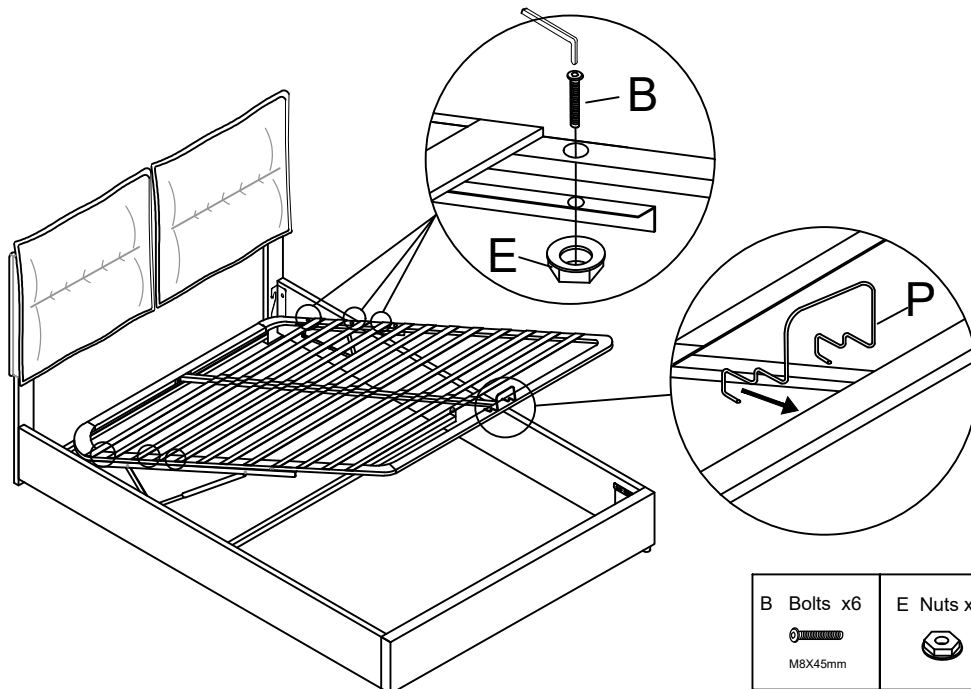
Assemble the slats into the assembled slats frame with middle slats cap N and end slats cap O






N Middle slats x12 	O End slats cap x24 
---	--

## Step 12

Assemble the slats frame to the gas lifts ⑥ with bolts B and nuts E, put the stopper P in the end of the slat frame, then assemble is finished, now please tighten all hardware and enjoy the bed



B Bolts x6  M8X45mm	E Nuts x6 	P Stopper x1 
--	--	---