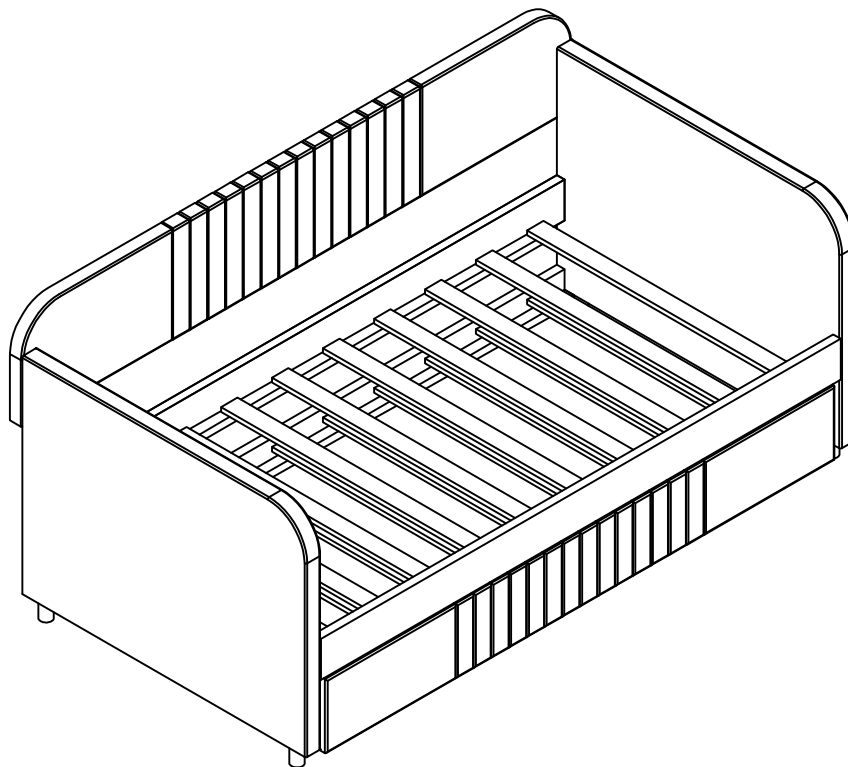


# ASSEMBLY INSTRUCTIONS

WF302152/WF302153



## IMPORTANT NOTE

**\*\*PLACE ALL PARTS ON A CLEAN AND SMOOTH SURFACE SUCH AS A RUG OR CARPET TO AVOID THE PARTS FROM BEING SCRATCHED**

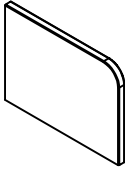
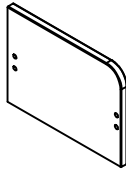
**\*\* BEFORE YOU BEGIN , KINDY FOLLOW THE ASSEMBLY INSTRUCTIONS STEP BY STEP**

**\*\*DO NOT TIGHTEN ALL SCREWS AND BOLTS UNTIL THE BED IS FULLY SET-UP**



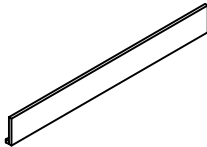

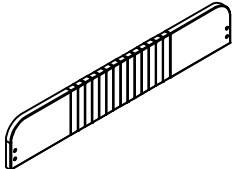
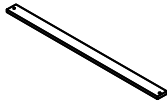
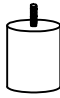
# ASSEMBLY INSTRUCTIONS

## WF302152/WF302153

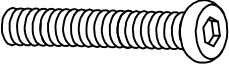

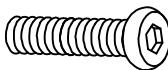

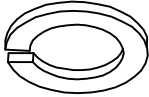

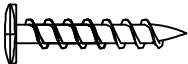
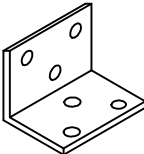
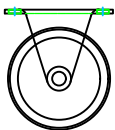
### PART LIST BOX 1:WF302152

<p>1</p>  <p>Left Bed Panel (1 pc)</p>	<p>2</p>  <p>Right Bed Panel (1 pc)</p>
-------------------------------------------------------------------------------------------------------------------------	----------------------------------------------------------------------------------------------------------------------------

### PART LIST BOX 2:WF302153

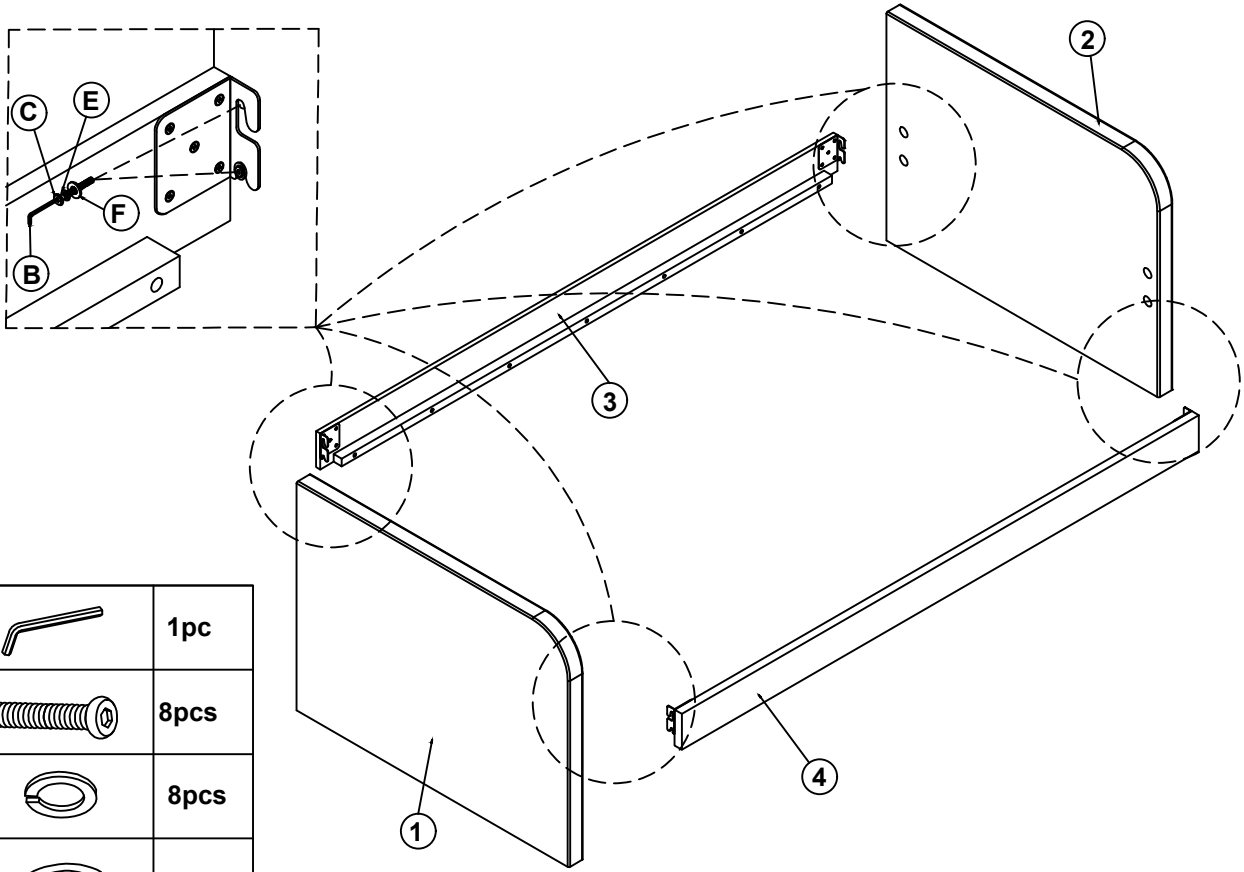
<p>3</p>  <p>Left Upper Rail (1 pc)</p>	<p>4</p>  <p>Right Upper Rail (1 pc)</p>	<p>5</p>  <p>Front Panel Trundle (1 pc)</p>
<p>6</p>  <p>Back Panel Trundle (1 pc)</p>	<p>7</p>  <p>Headboard Panel (1 pc)</p>	<p>8</p>  <p>(985mmx60mm x15mm) Roll Slat (20 pcs)</p>
<p>9</p>  <p>Leg (4 pcs)</p>		





### PART LIST BOX 2:WF302153

<p>A</p>  <p>(Ø 5/16 "X45mm) Long Bolt (4 pcs)</p>	<p>B</p>  <p>(M4x75mm x32mm) Allen Wrench (1 pc)</p>	<p>C</p>  <p>(Ø 5/16 "X20mm) Short Bolt (8 pcs)</p>
<p>D</p>  <p>(m4x30mm-RBW) Flat Head Screw (40 pcs)</p>	<p>E</p>  <p>(Ø 5/16 " -RBW) Spring Washer (12 pcs)</p>	<p>F</p>  <p>(Ø 5/16 " -RBW) Flat Washer (12 pcs)</p>
<p>G</p>  <p>(m4x15mm-RBW) Flat Head Screw (40 pcs)</p>	<p>H</p>  <p>(38mmx38mmx25mmx2mm) Square Patch (4 pcs)</p>	<p>I</p>  <p>(m59x42mmx66mm) Wheels (4 pcs)</p>

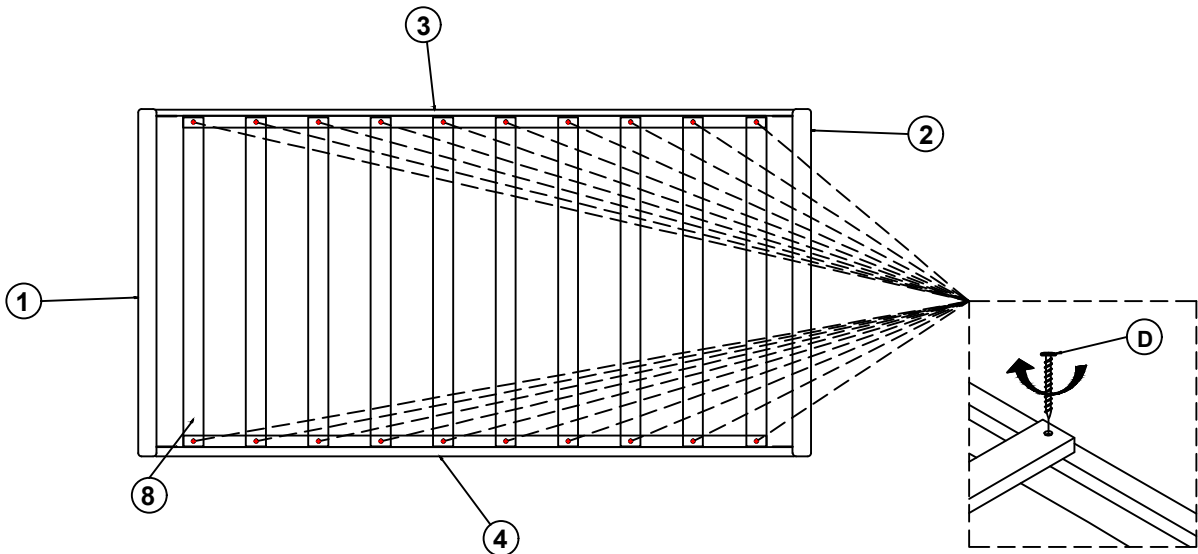
# ASSEMBLY INSTRUCTIONS

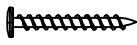
## STEP 1



<b>B</b>	<b>Allen Wrench</b> (M5x75mm x32mm)		<b>1pc</b>
<b>C</b>	<b>Bolt</b> (Ø 5/16 "x20mm)		<b>8pcs</b>
<b>E</b>	<b>Spring Washer</b> (Ø 5/16 "-RBW)		<b>8pcs</b>
<b>F</b>	<b>Flat Washer</b> (Ø 5/16 "-RBW)		<b>8pcs</b>

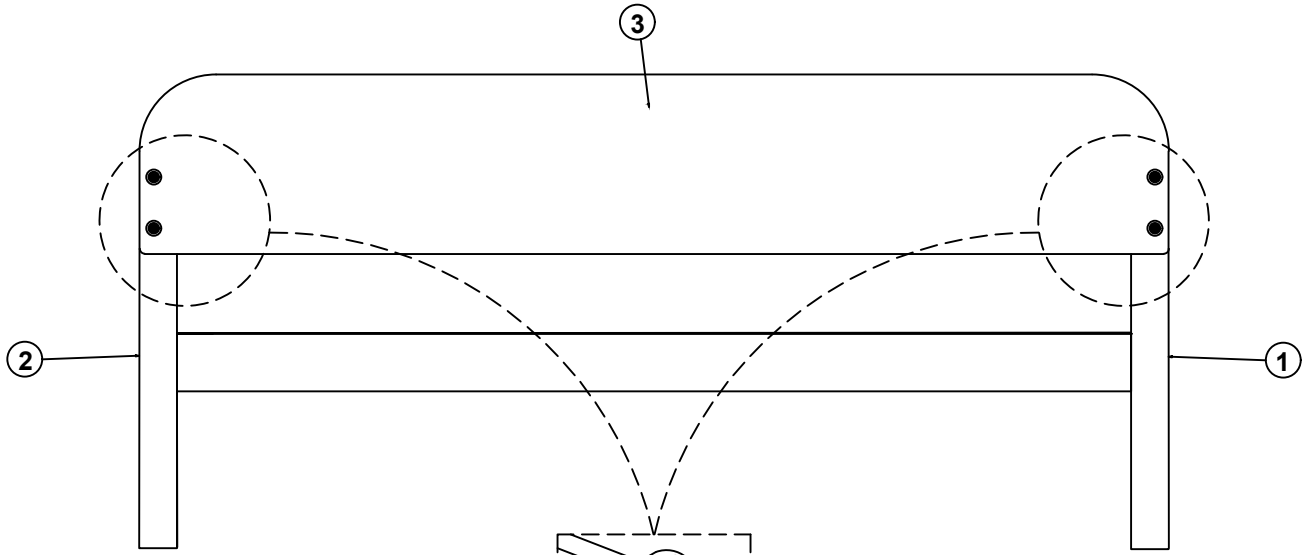
## STEP 2







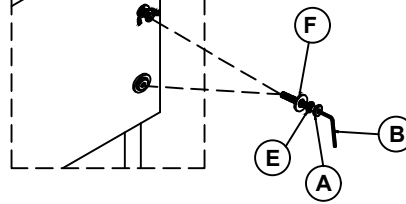
<b>D</b>	<b>Flat Head Screw</b> (m4x30mm-RBW)		<b>20pcs</b>
----------	-----------------------------------------	-------------------------------------------------------------------------------------	--------------

# ASSEMBLY INSTRUCTIONS

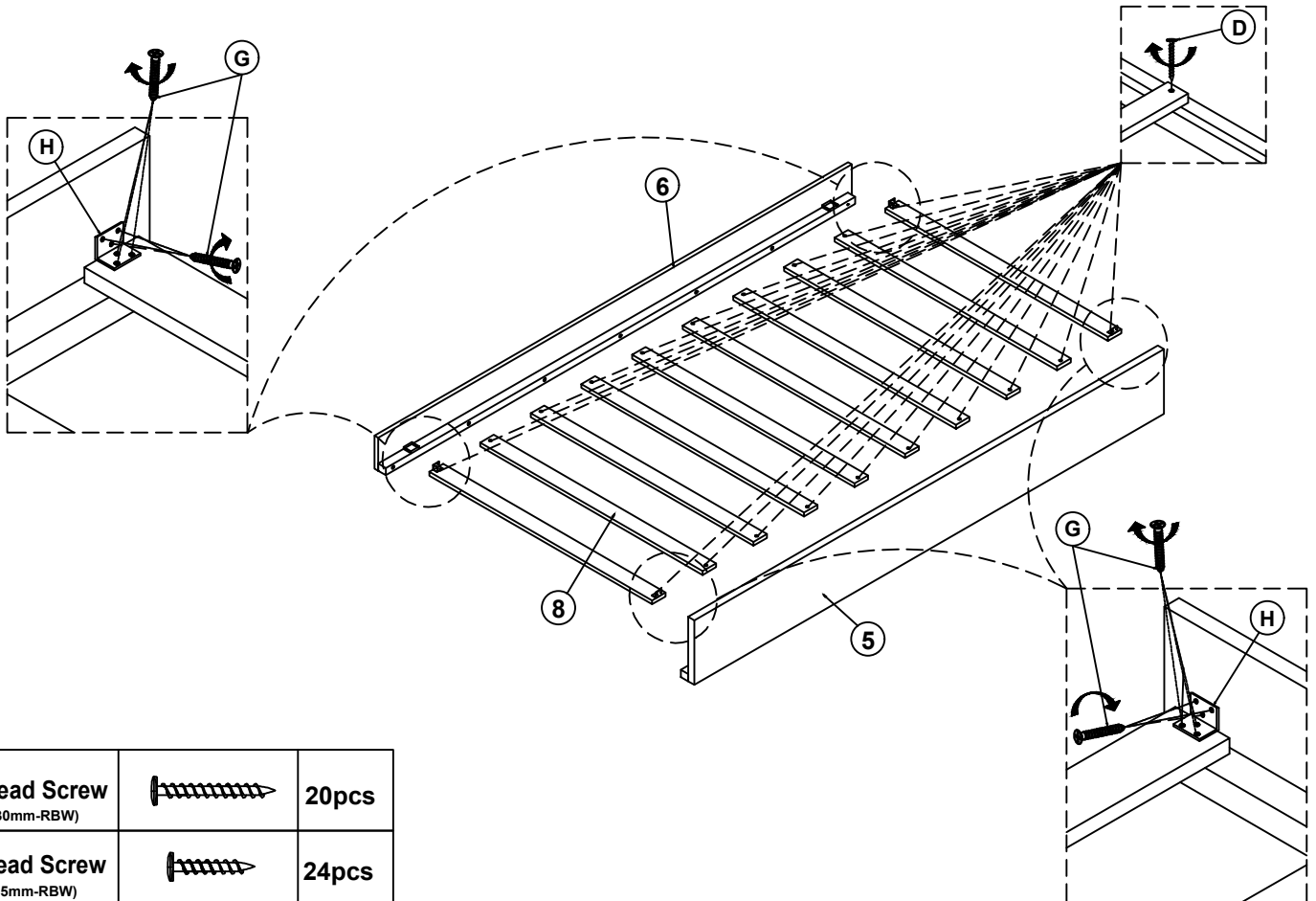
## STEP 3

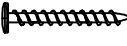
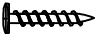



A	<b>Bolt</b> (Ø 5/16" x 45mm)		4pcs
B	<b>Allen Wrench</b> (M4x75mm x 32mm)		1pc
E	<b>Spring Washer</b> (Ø 5/16" -RBW)		4pcs
F	<b>Flat Washer</b> (Ø 5/16" -RBW)		4pcs



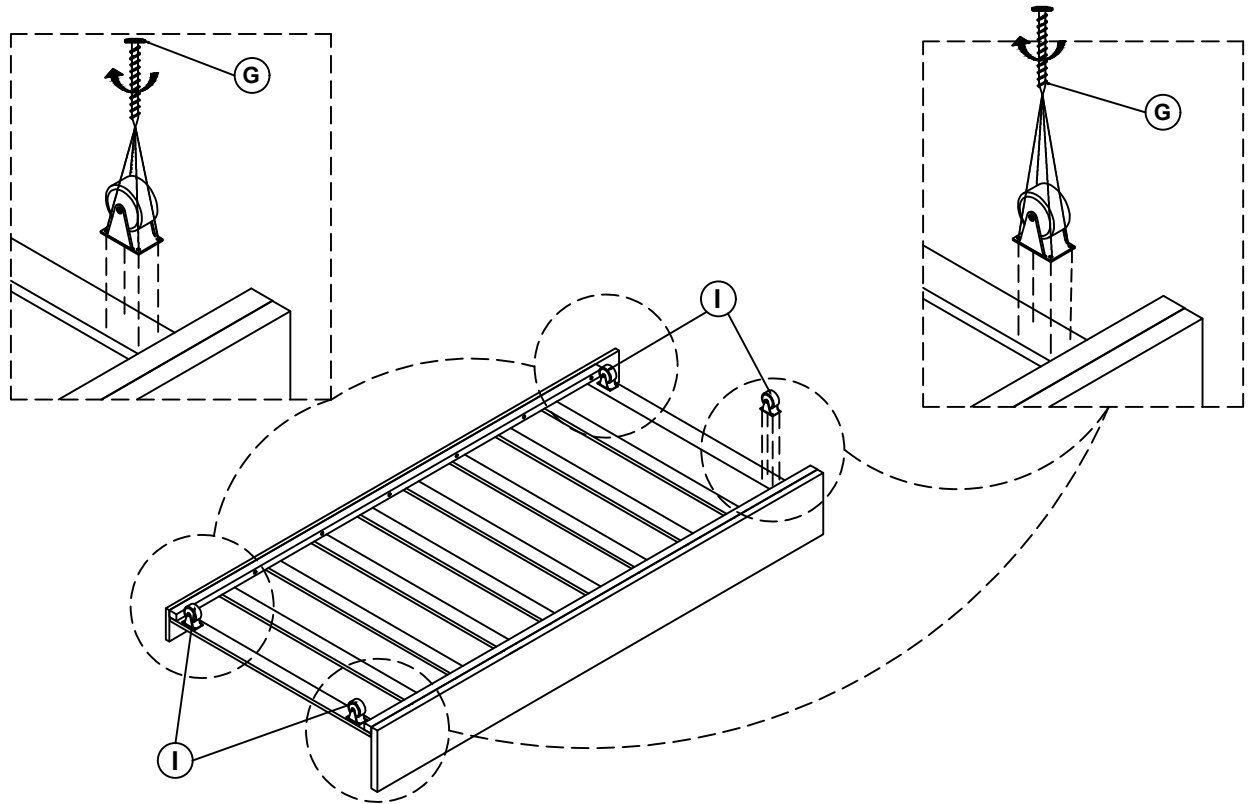
## STEP 4

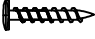



D	<b>Flat Head Screw</b> (m4x30mm-RBW)		20pcs
G	<b>Flat Head Screw</b> (m4x15mm-RBW)		24pcs
H	<b>Square Patch</b> (38mmx38mmx25mmx2mm)		4pcs

# ASSEMBLY INSTRUCTIONS

## STEP 5



<b>G</b>	<b>Flat Head Screw</b> (m4x15mm-RBW)		<b>16pcs</b>
<b>I</b>	<b>Wheels</b> (m59x42mmx66mm)		<b>4pcs</b>

## STEP 6 COMPLETE

