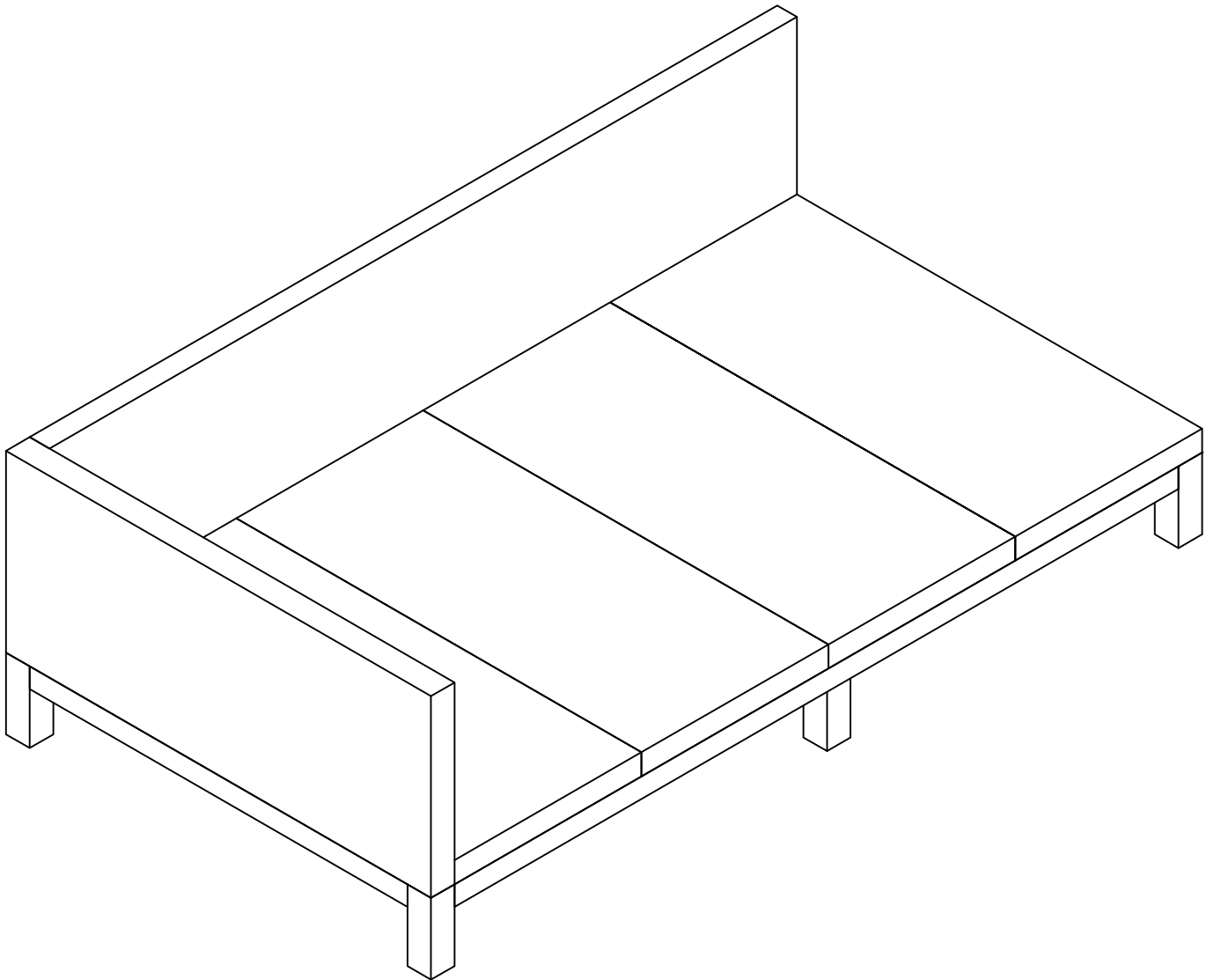
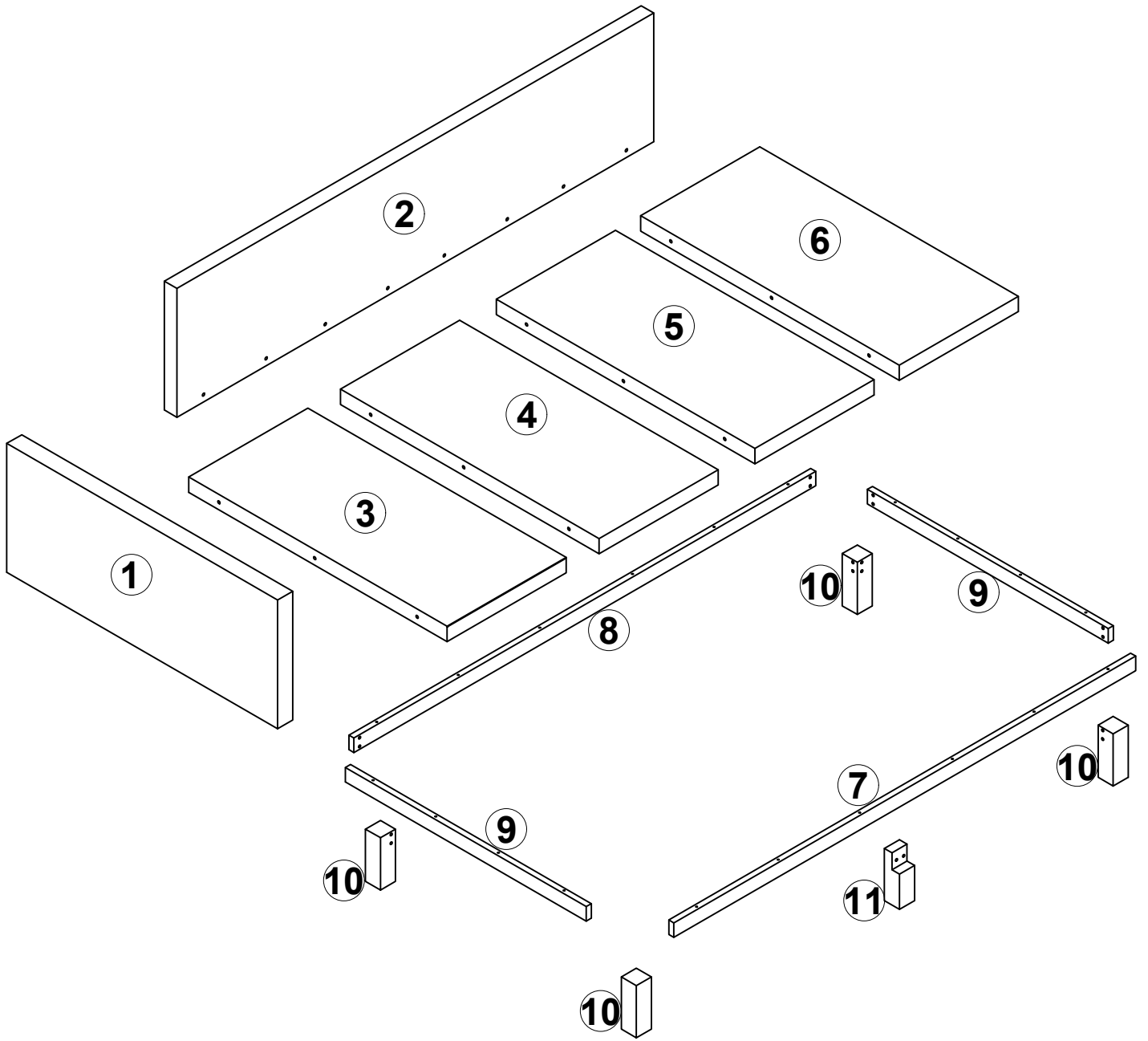


# ASSEMBLY INSTRUCTION

SKU CODE: WF305335/WF305336

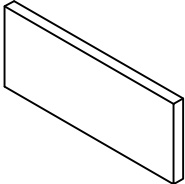
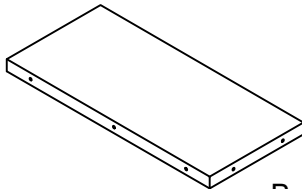
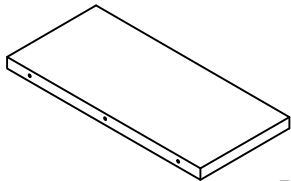
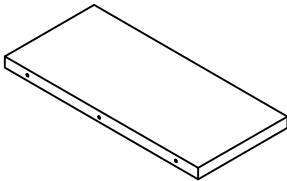
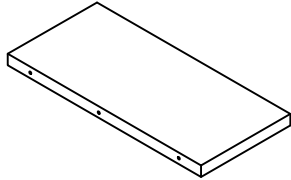
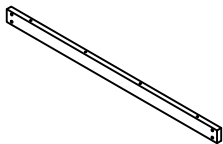




# Detail View - TWIN DAY BED



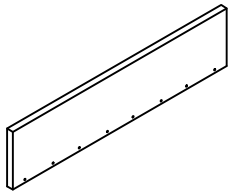
Identifying the Hardware - Identify the hardware using the illustrations below.

# Part Lists: WF305335

|   |   |
|---|---|
| <b>1</b><br><br>Headboard-1pc      | <b>3</b><br><br>Bottom panel 1-1pc        |
| <b>4</b><br><br>Bottom panel 2-1pc | <b>5</b><br><br>Bottom panel 3-1pc        |
| <b>6</b><br><br>Bottom panel 4-1pc | <b>9</b><br><br>Short apron -2pcs         |
| <b>10</b><br><br>Bed leg - 4pcs    | <b>11</b><br><br>Front support leg - 1pc |

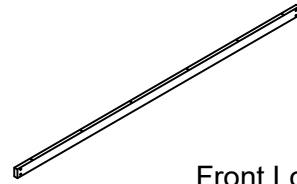
Part Lists: **WF305336**

2



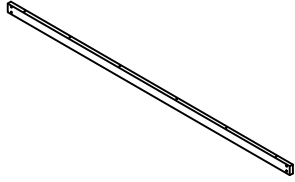
Back frame -1pc

7




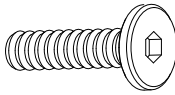
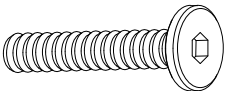


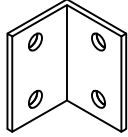
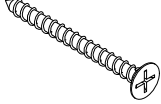
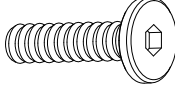


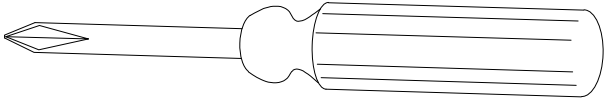
Front Long apron - 1pc

8



Back Long apron - 1pc

# HARDWARE LISTS: WF305336

|   |  |
|---|--|
| <b>A</b><br><br>4mm<br>Allen key (1pc)                 | <b>B</b><br><br>Ø1/4" x 15mm<br>Hex-head bolt (32pcs) |
| <b>C</b><br><br>Ø5/16" x 40mm<br>Hex-head bolt (22pcs) | <b>D</b><br><br>Ø1/4"<br>Spring washer (34pcs)        |
| <b>E</b><br><br>Ø1/4"<br>Flat washer(34pcs)            | <b>F</b><br><br>Metal bracket (8pcs)                  |
| <b>G</b><br><br>Ø4 x 60mm<br>Wood screw (20pcs)        | <b>H</b><br><br>Ø1/4" x 25mm<br>Hex-head bolt (02pcs) |
| <b>I</b><br><br>Ø5/16"<br>Spring washer (22pcs)      | <b>J</b><br><br>Ø5/16"<br>Flat washer(22pcs)        |
| <br><b>ASSEMBLY TOOLS REQUIRED ( NOT INCLUDED )</b> |  |



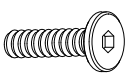
Read this instruction carefully. See hardware and furniture part list for guidance. Be sure all parts are complete, before you assemble. Place all wooden furniture parts on a clean and flat soft surface to prevent from being scratched. Follow the figure to start assembling.

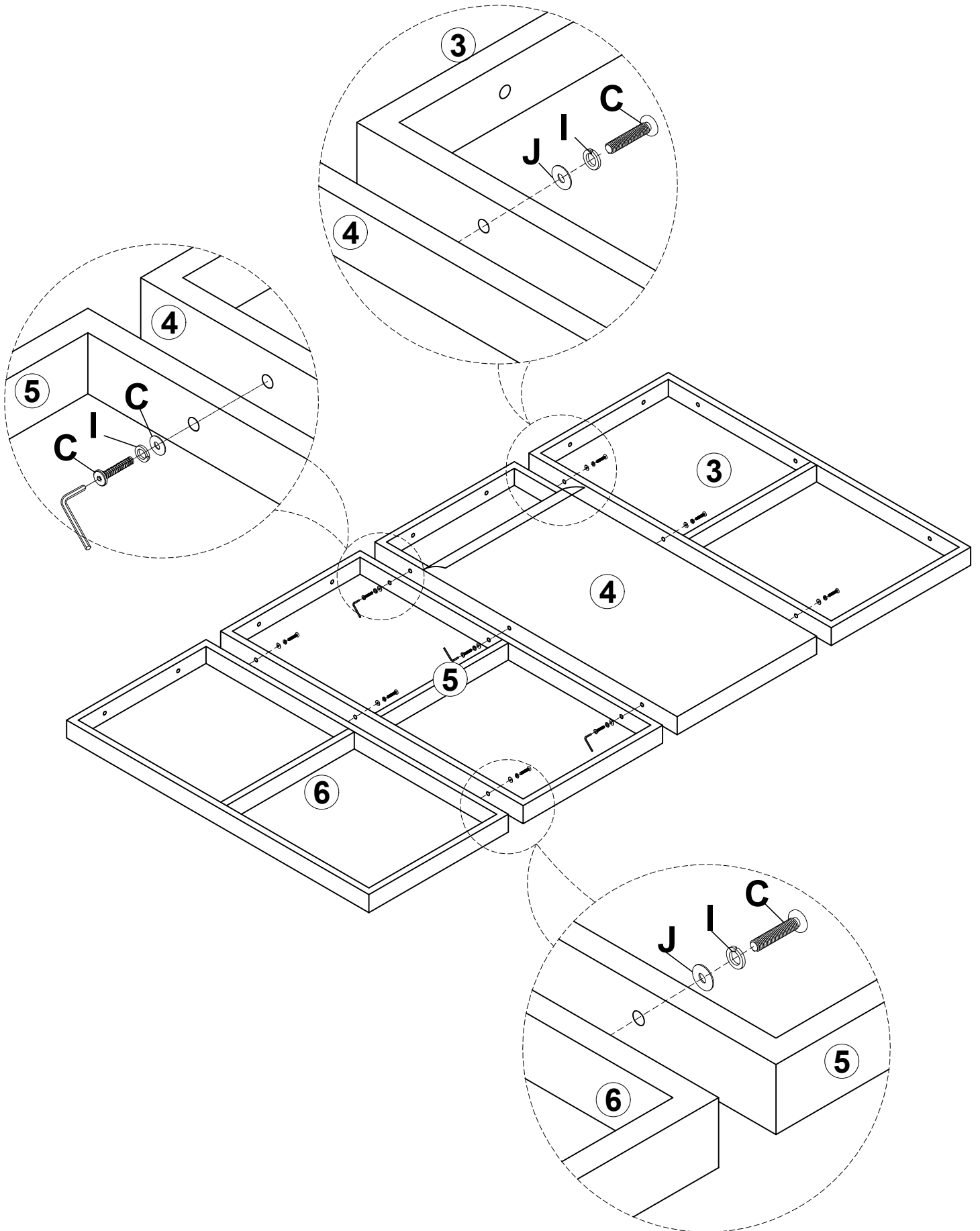
**CAUTIONS :**

1. Do not FULLY - TIGHTEN the nut or nut bolt until all nut or bolt is ready assembled.
2. Do not OVER - TIGHTEN the nut or bolt to avoid causing damages to the thread.
3. Keep all hardware parts out of reach of children.



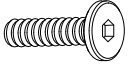
**NOTE : THE LIST AND QUANTITY SHOWN ARE FOR 1 UNIT ASSEMBLY.**

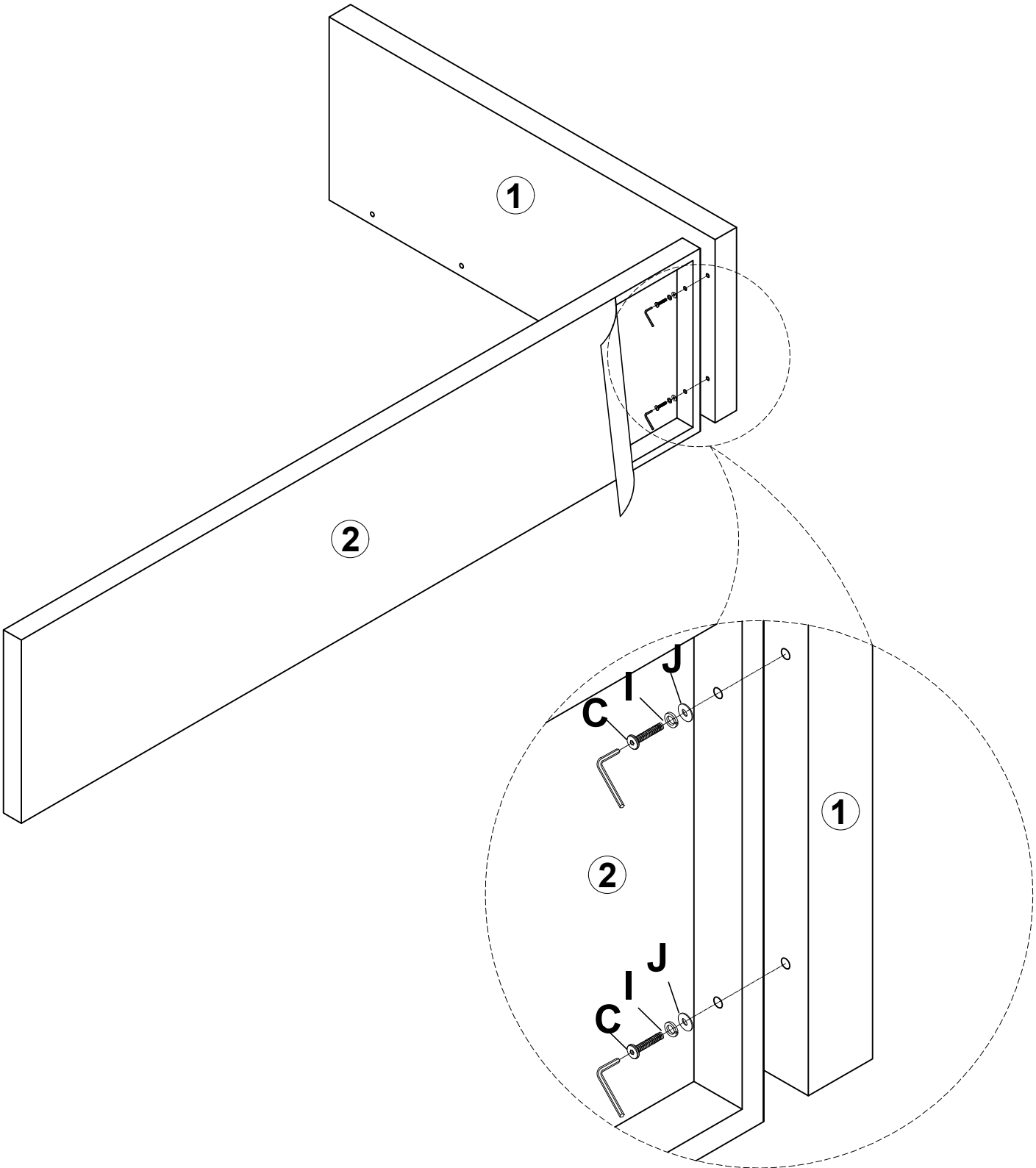
# STEP 1

|  |  |  |
|--|--|--|
| <b>J</b><br> | <b>I</b><br> | <b>C</b><br> |
| <b>9PCS</b>  | <b>9PCS</b>  | <b>9PCS</b>  |

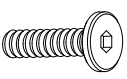


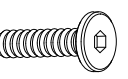


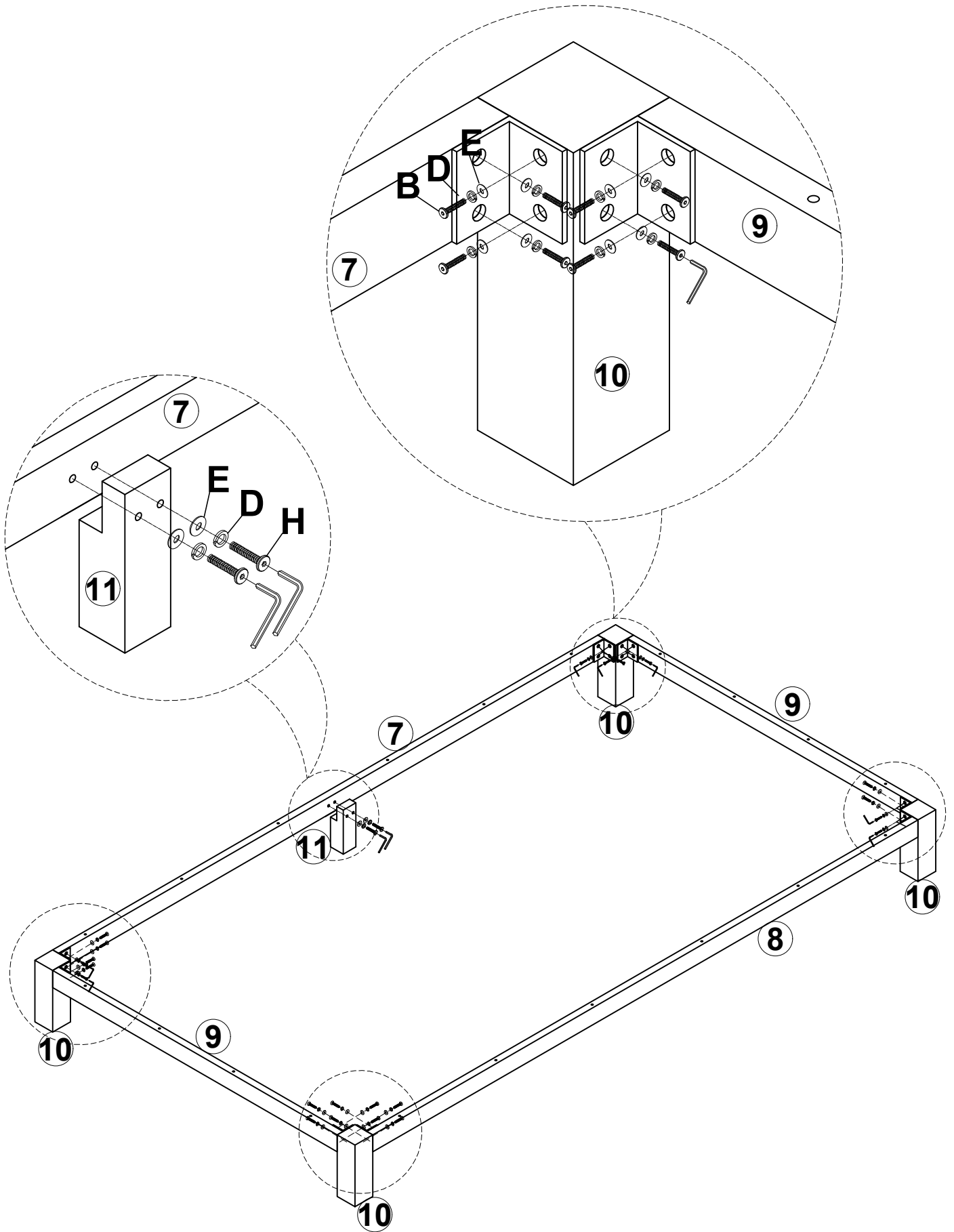
# STEP 2

|  |  |  |
|--|--|--|
| <b>J</b><br> | <b>I</b><br> | <b>C</b><br> |
| <b>2PCS</b>  | <b>2PCS</b>  | <b>2PCS</b>  |





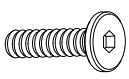
# STEP 3

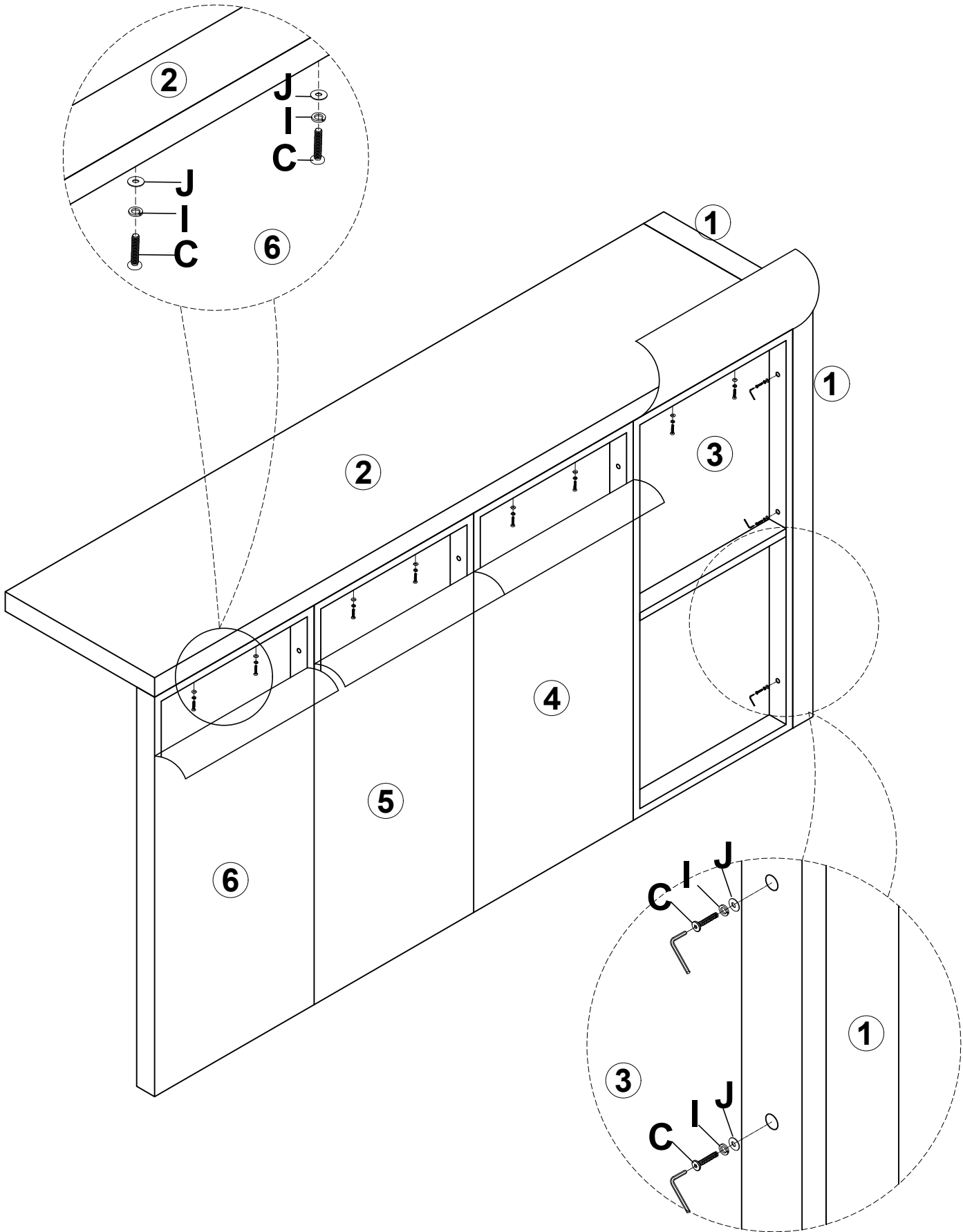
|          |  |          |  |          |  |          |  |
|----------|--|----------|--|----------|--|----------|--|
| <b>H</b> |  | <b>E</b> |  | <b>D</b> |  | <b>B</b> |  |
|          | <b>2PCS</b>  |          | <b>34PCS</b>   |          | <b>34PCS</b>   |          | <b>32PCS</b>   |





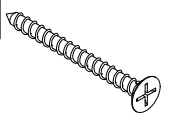
**STEP 4**

|  |  |  |
|--|--|--|
| <b>J</b><br> | <b>I</b><br> | <b>C</b><br> |
| <b>11PCS</b>   | <b>11PCS</b>   | <b>11PCS</b>   |

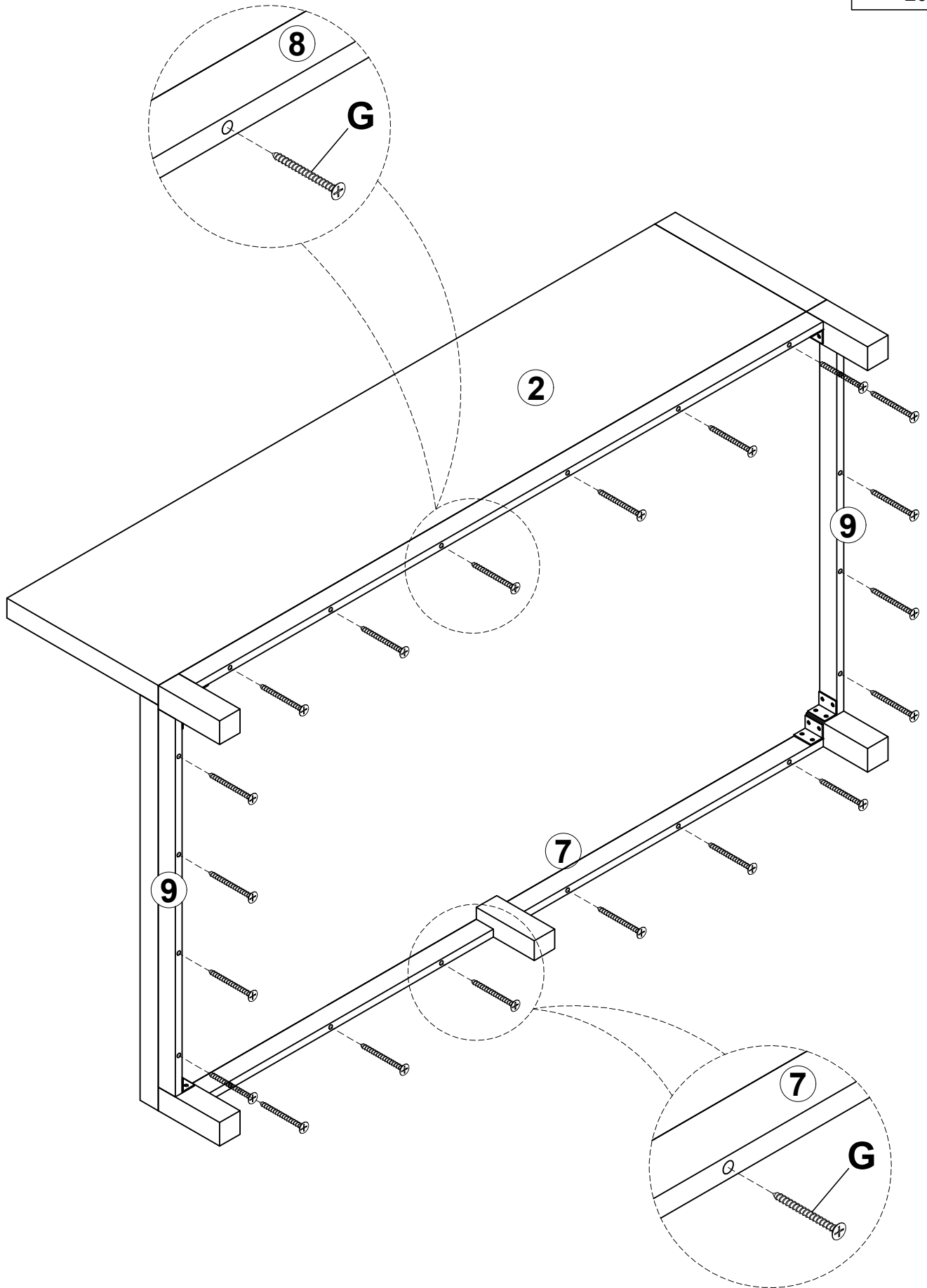


# STEP 5

G



20PCS



**STEP 6**

