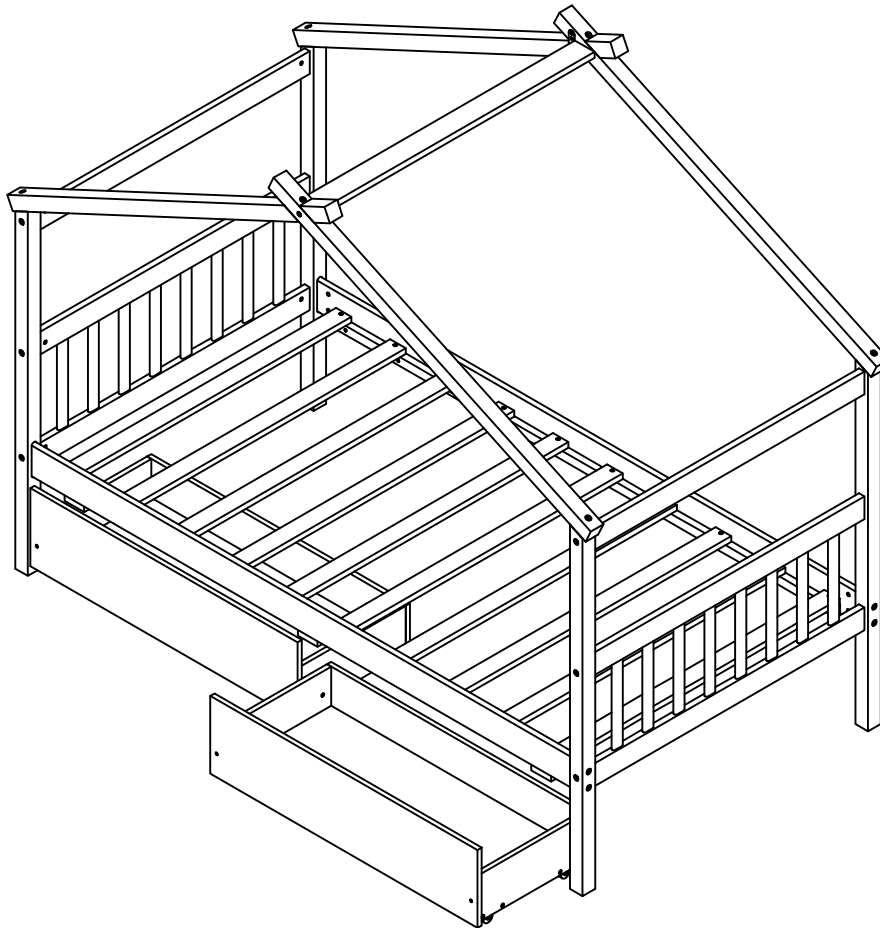


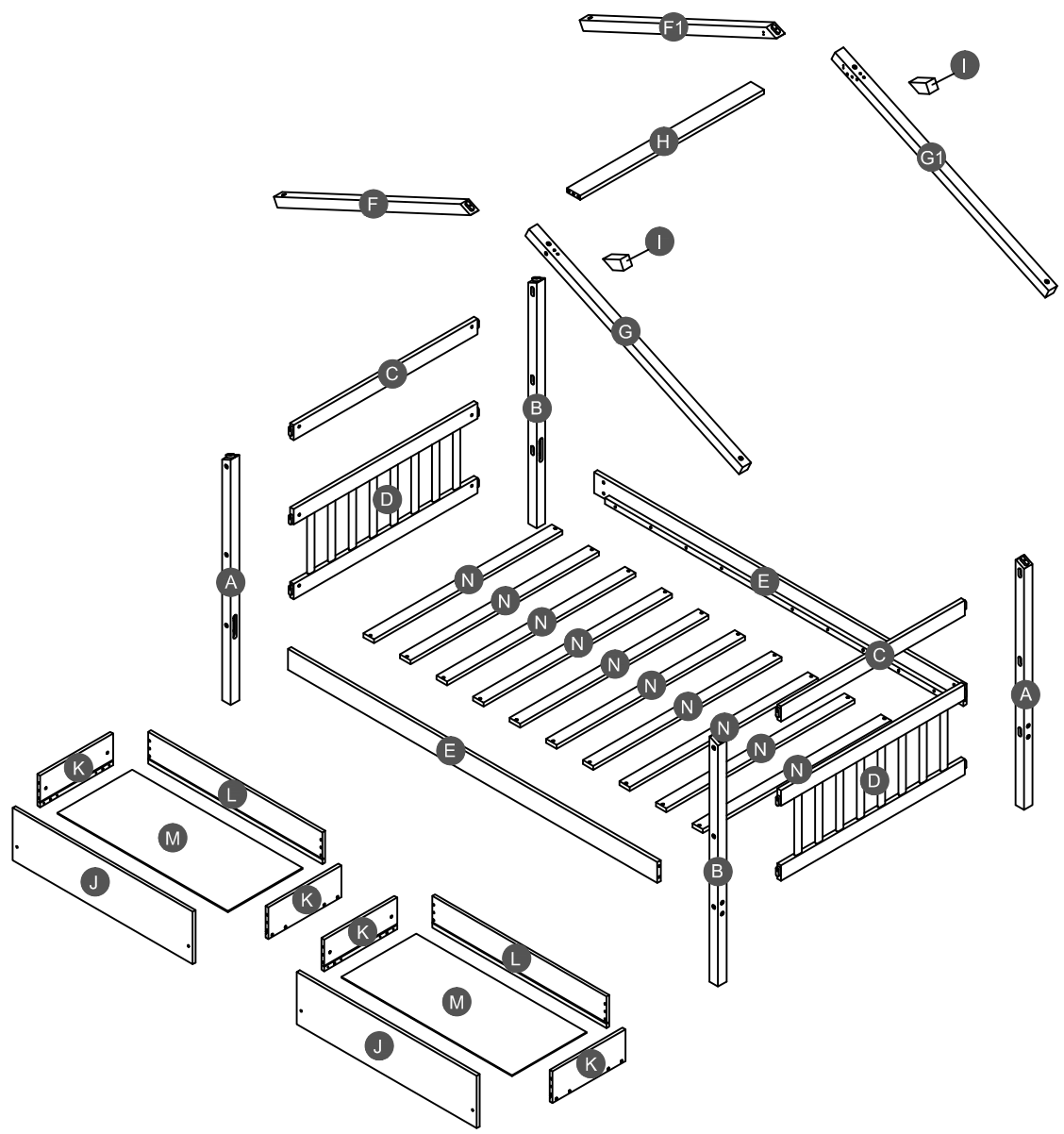
ASSEMBLY INSTRUCTIONS

TWIN HOUSE BED WITH 2 DRAWERS

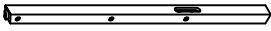
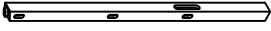
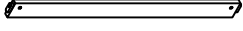
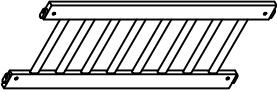

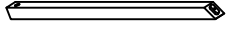
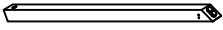
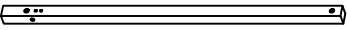
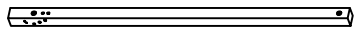
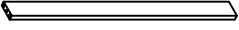

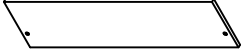
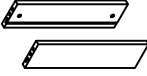


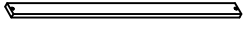


WF300799

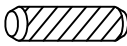
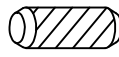
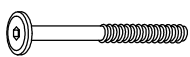
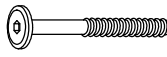
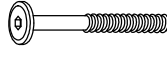



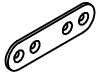

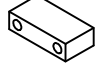
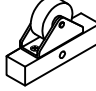

Detail View



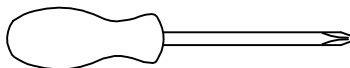
Part List

<p>A</p>  <p>Leg (Left Front/Right Back) - 2pcs</p>	<p>B</p>  <p>Leg (Left Back/Right Front) - 2pcs</p>	<p>C</p>  <p>Horizontal bar HB/FB - 2pcs</p>
<p>D</p>  <p>Frame HB/FB - 2pcs</p>	<p>E</p>  <p>Side rail - 2pcs</p>	<p>F</p>  <p>Upper (Left Front) - 1pc</p>
<p>F1</p>  <p>Upper (Left Back) - 1pc</p>	<p>G</p>  <p>Upper (Right Front) - 1pc</p>	<p>G1</p>  <p>Upper (Right Back) - 1pc</p>
<p>H</p>  <p>Upper horizontal bar - 1pc</p>	<p>I</p>  <p>Block - 2pcs</p>	<p>J</p>  <p>Front drawer panel - 2pcs</p>
<p>K</p>  <p>Left / right drawer panel - 4pcs</p>	<p>L</p>  <p>Back drawer panel - 2pcs</p>	<p>M</p>  <p>Drawer bottom - 2pcs</p>
<p>N</p>  <p>Slats - 10pcs</p>		

Hardware List



1  Ø8*30mm	2  Ø10*20mm	3  (Ø15)1/4"*100mm
Wood dowel (22pcs)	Wood dowel (8pcs)	Hex-Head bolts (8pcs)
4  (Ø15)1/4"*80mm	5  (Ø12)1/4"*60mm	6  1/4"*15 (9.5mm)
Hex-Head bolts (14pcs)	Hex-Head bolts (8pcs)	Horizontal-Hole bolts(30pcs)
7  Ø4*30mm	8  (1/4")4.5*58mm	9  75*20*2 mm
Wood screws (42pcs)	Allen key (1pc)	Metal bracket (2pcs)
10  Ø3.5*19mm	11  70*35*19 mm	12  100*54*20 mm
Wood screws (8pcs)	Drawer stopper (3pcs)	Wheels (8pcs)
13  (Ø12)1/4"*65mm		
Hex-Head bolts (8pcs)		

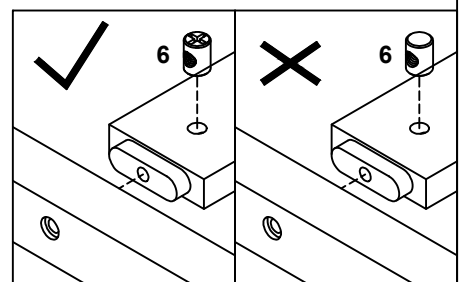
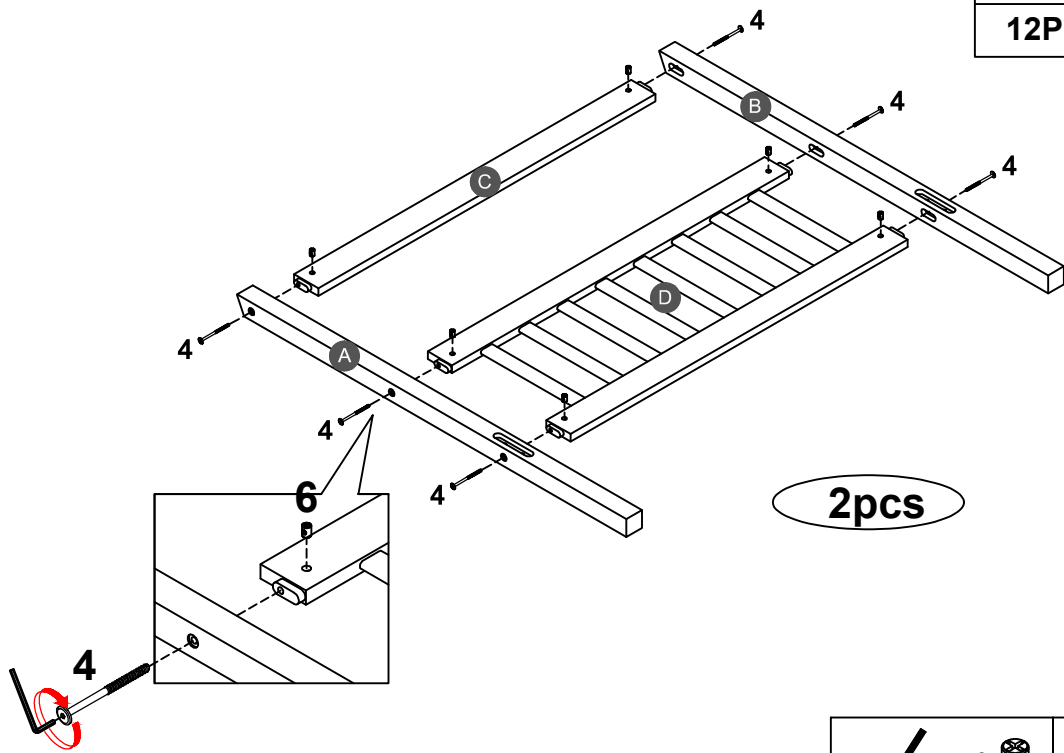
ASSEMBLY TOOLS REQUIRED (NOT INCLUDED)



PLEASE BE CAREFUL DO NOT DAMAGE THE HOLE POSITION WHEN YOU USE POWER TOOLS !


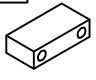
STEP 1:

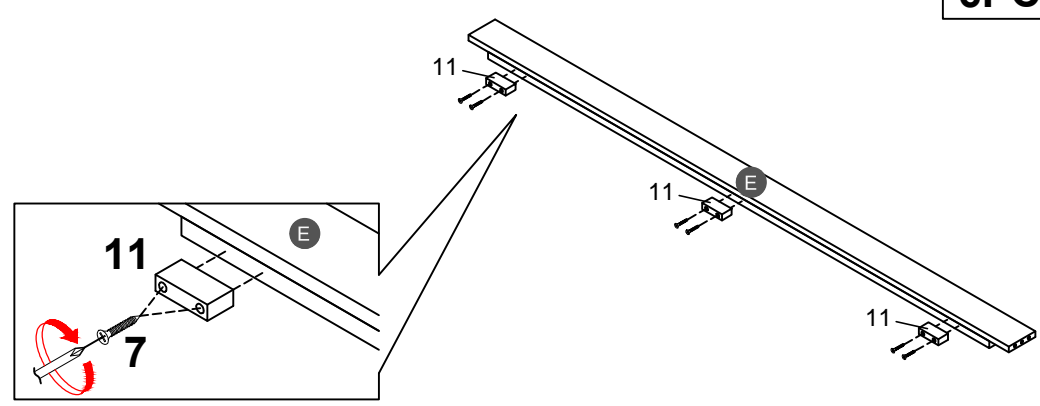
4		6	
12PCS		12PCS	



Note: Part 6 will face up with the "x" mark on it, otherwise it cannot be tightened

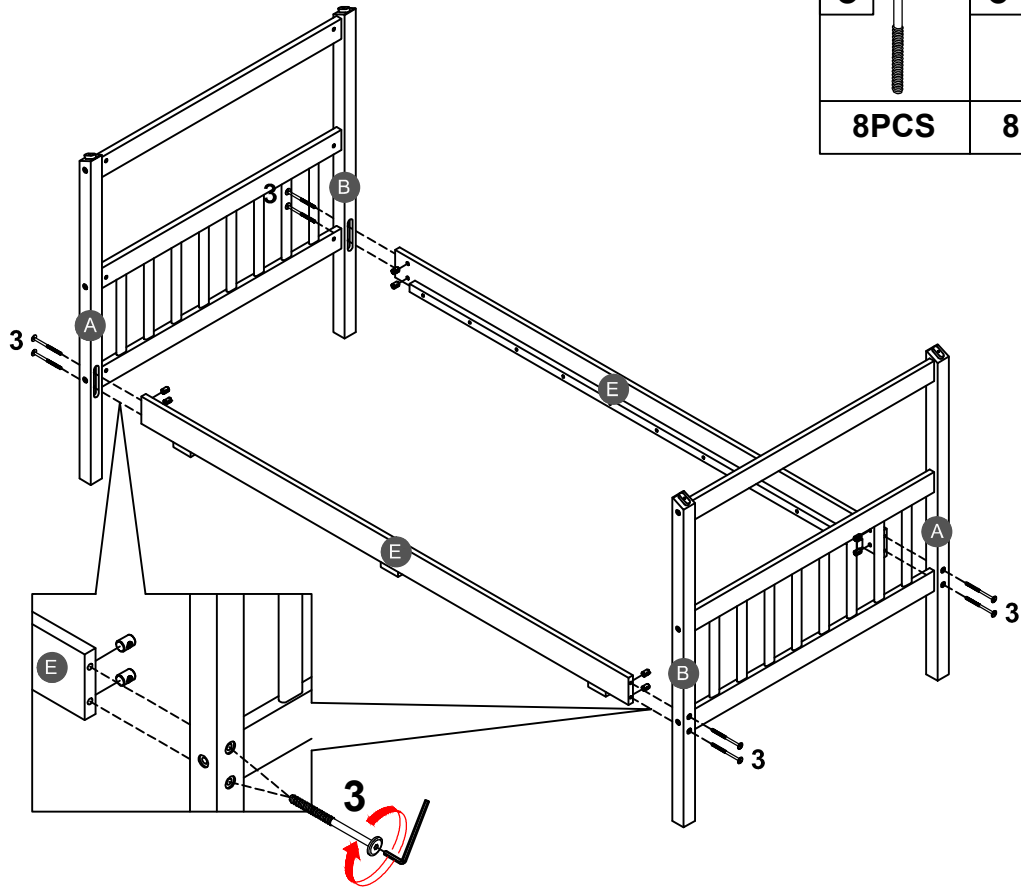
STEP 2:



7		11	
6PCS		3PCS	



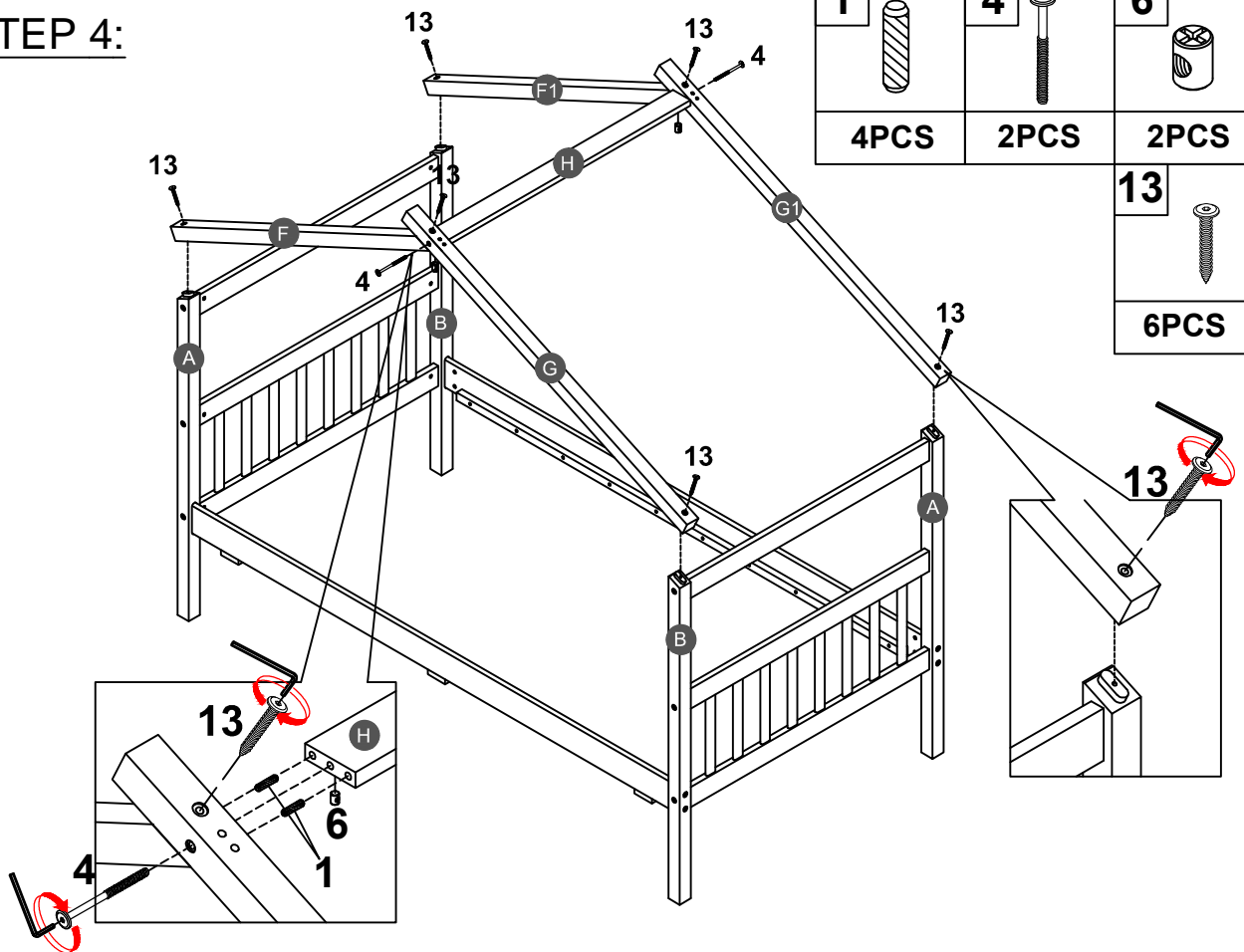
Drawer stopper (11) with lower side rail front (E) by using screw (7).




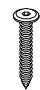
STEP 3:



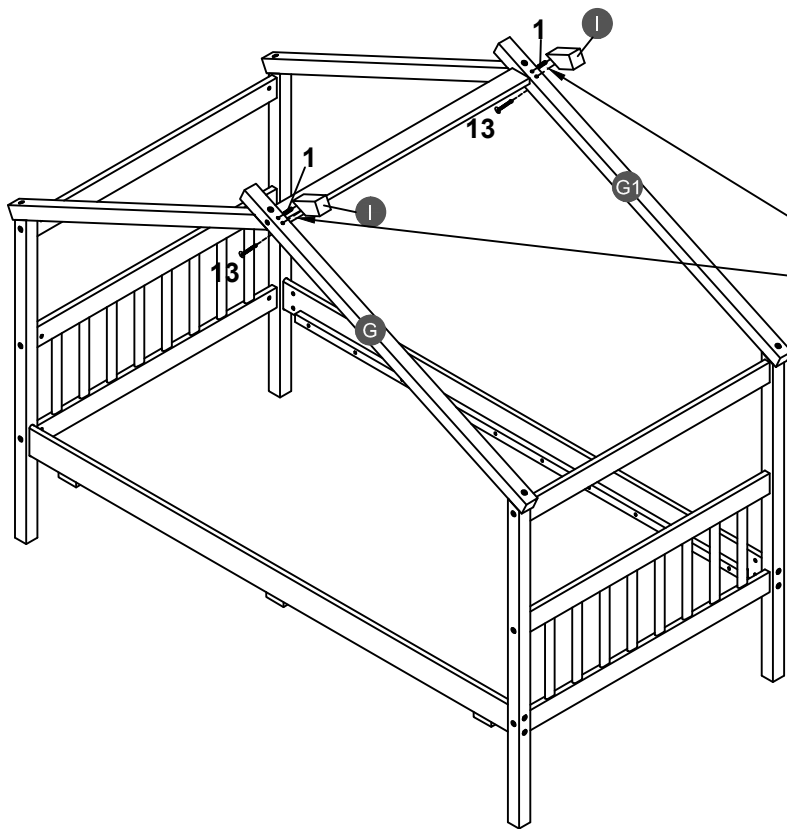
3		6	
8PCS		8PCS	

STEP 4:

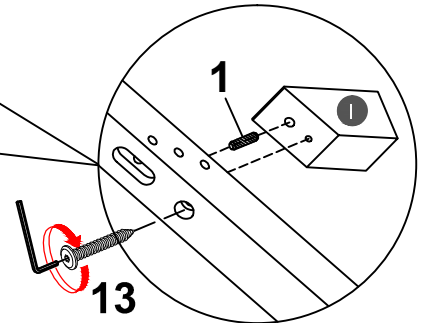


1		4		6		
4PCS		2PCS		2PCS		
					13	
					6PCS	

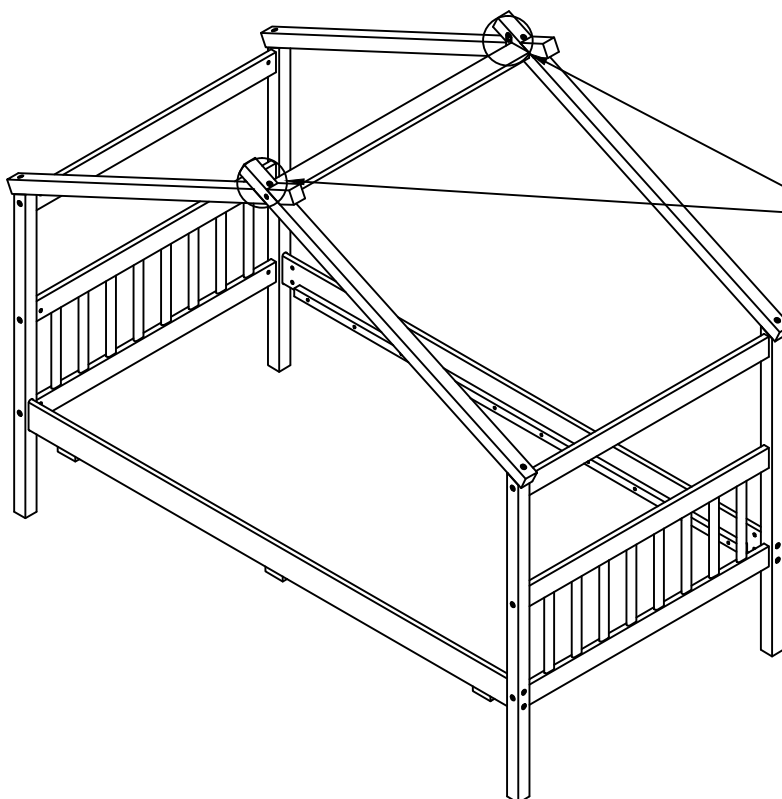
STEP 5:



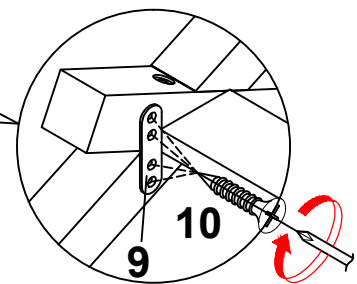
1		13	
2PCS		2PCS	



STEP 6:



9		10	
2PCS		8PCS	

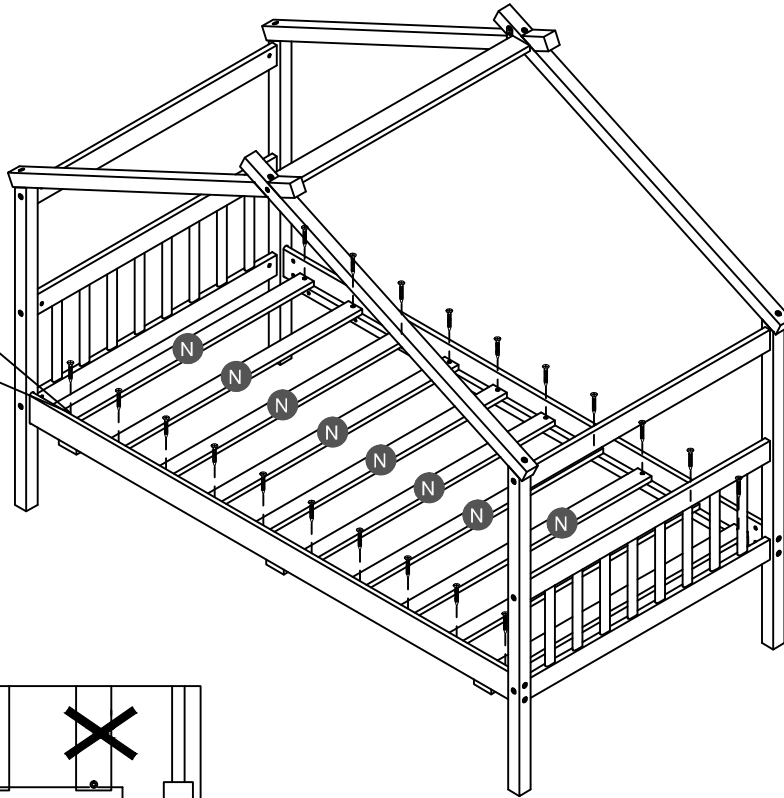
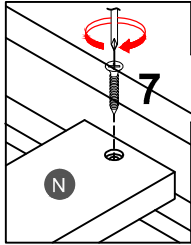


STEP 7:

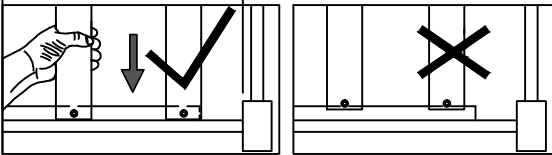
7



20PCS



5.4" 138mm 2.7" 69mm



Note: Do not lock the screws of the bed slats to the outermost edge of the bed slats, you need to leave a certain space at the edges, otherwise it will cause the board to break. Do not lock the bed slats on the edge of the wood, please hold firmly before screwing, hold it in place with one hand, then lock the screw.

STEP 8:

1



8PCS

5

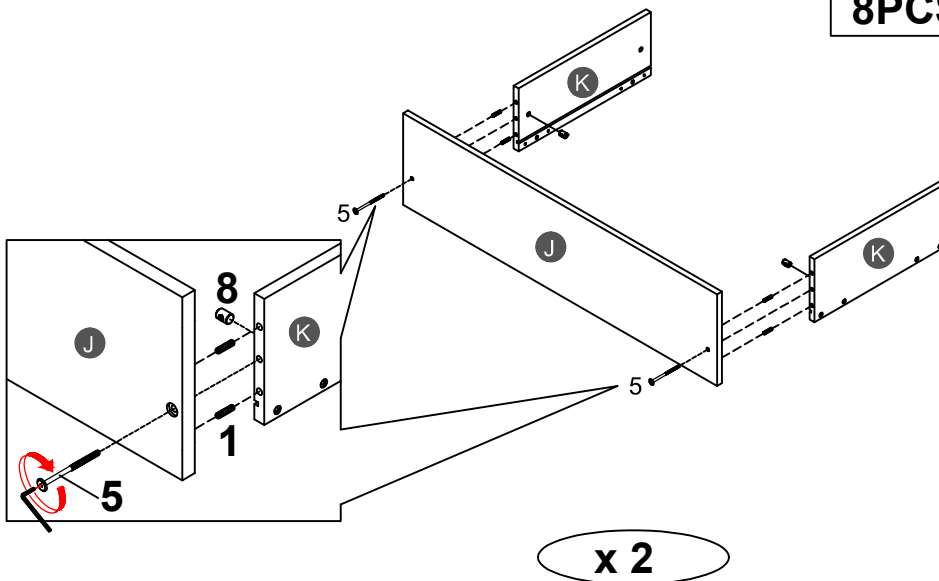


4PCS




6

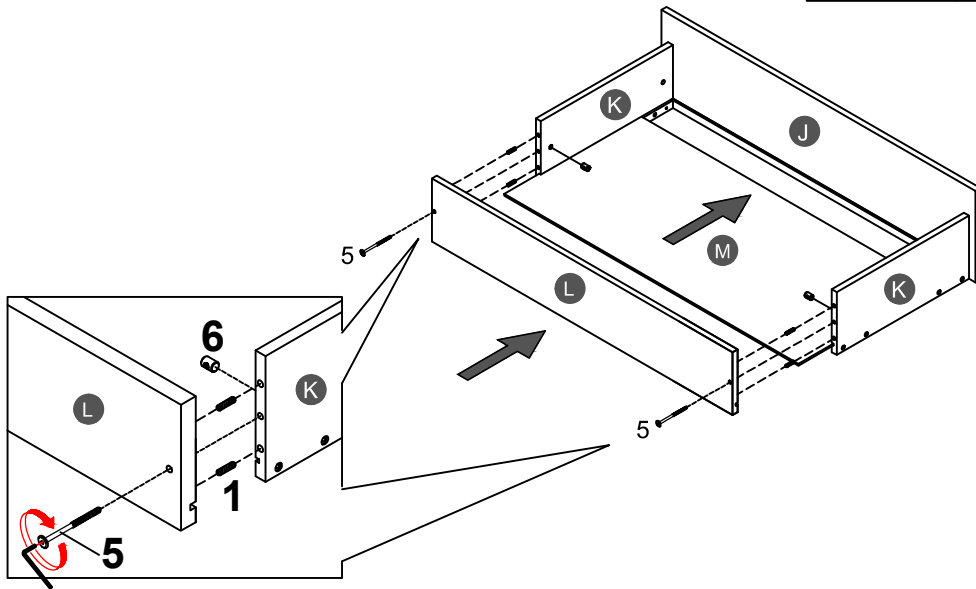


4PCS



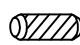

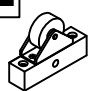
STEP 9:

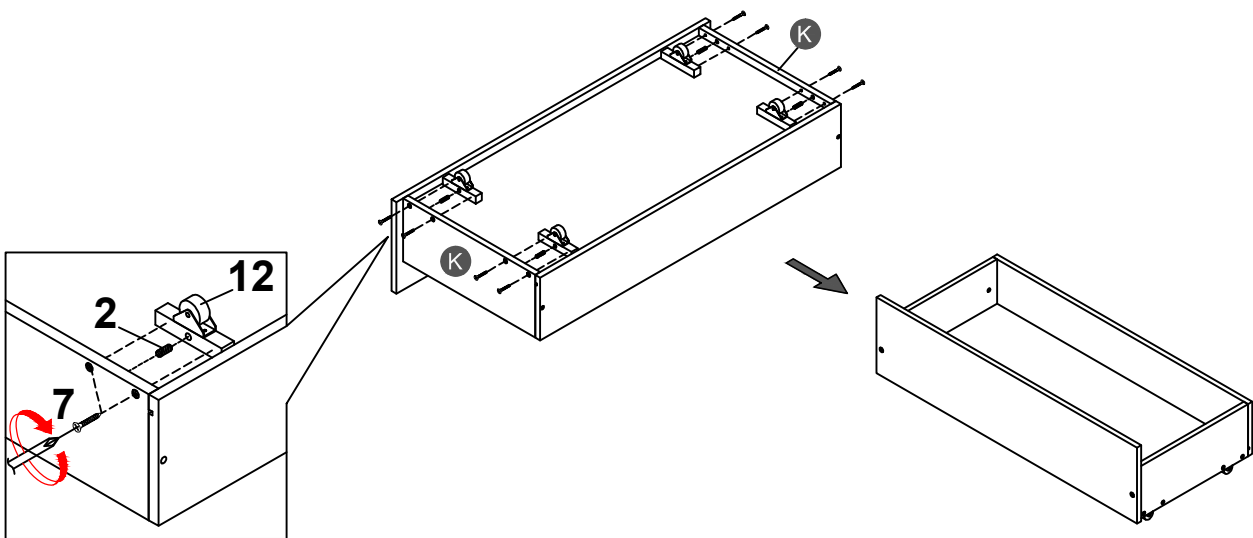
1		5		6	
8PCS		4PCS		4PCS	



x 2

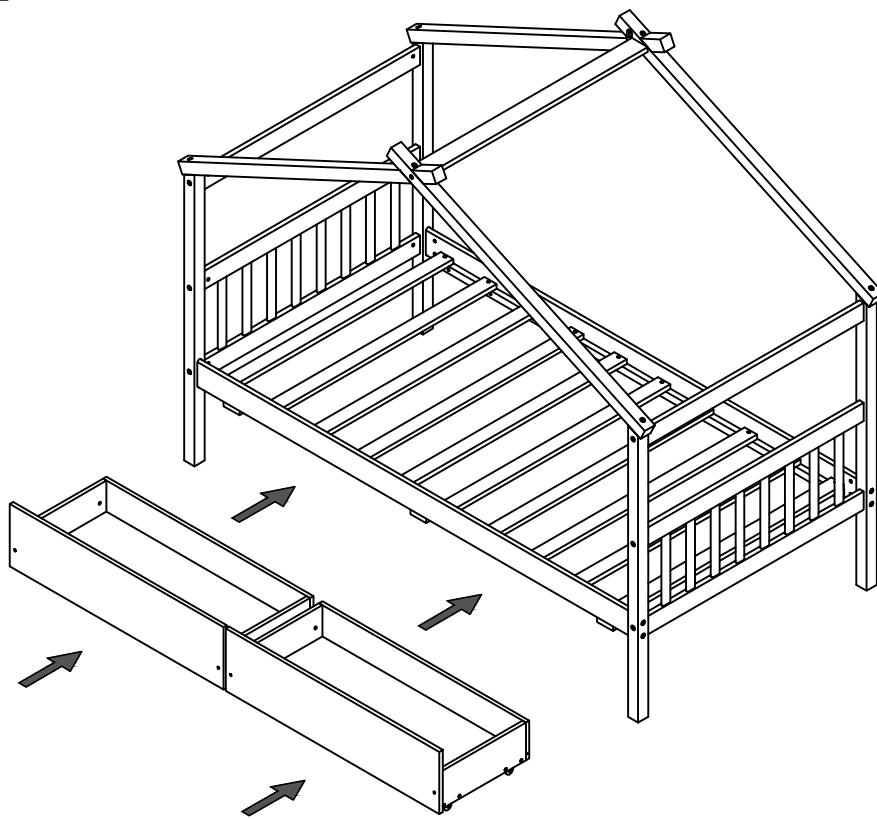
STEP 10:

2		7		12	
8PCS		16PCS		8PCS	



x 2

STEP 11:



Push Drawer under the bottom of Bunk Bed.

