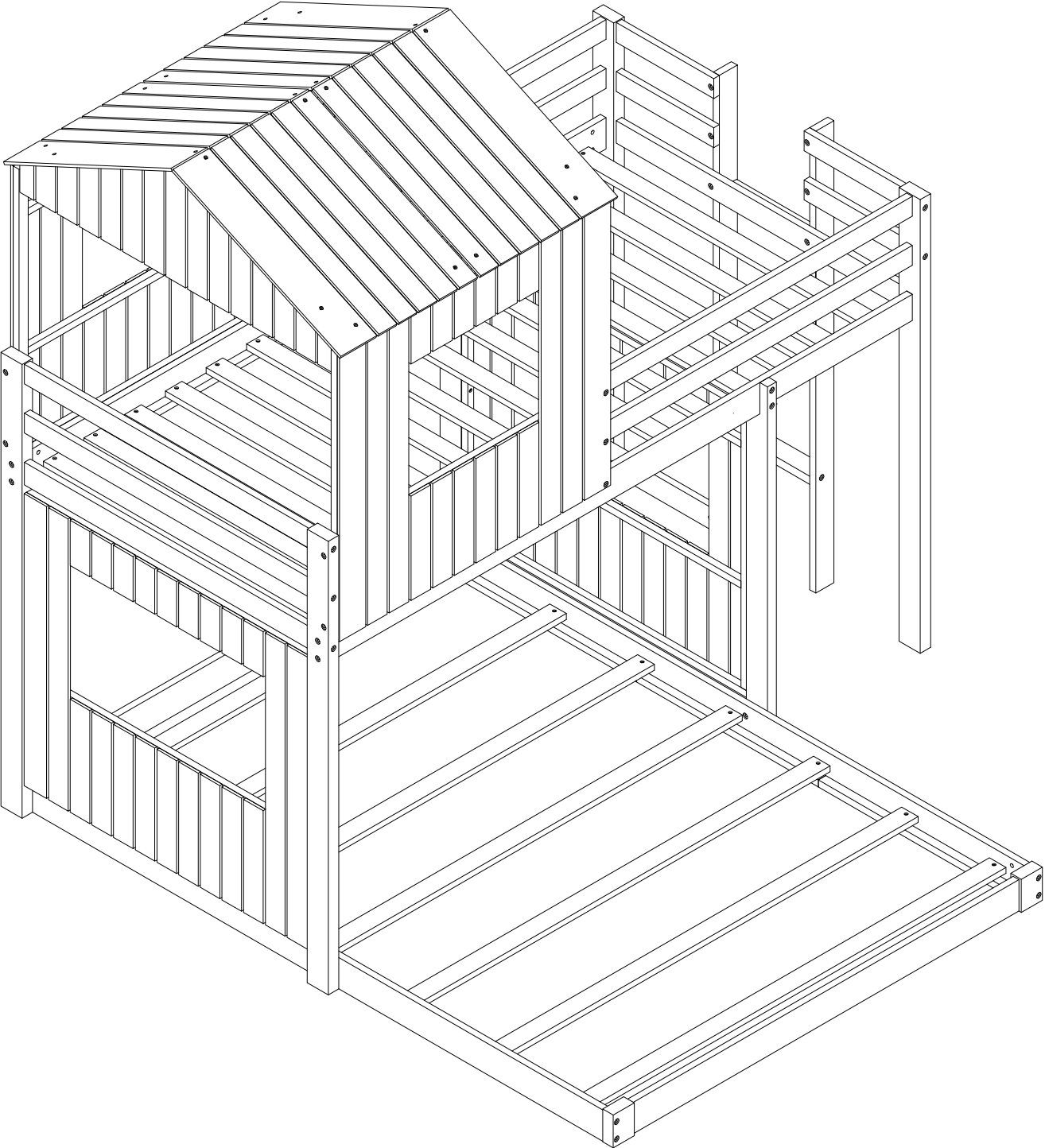


**ASSEMBLY INSTRUCTION**  
**SKU CODE: (WF302849/WF302850/WF302851)**



# **! SAFETY WARNINGS !**

1. This bed is designed for use only mattress (es) meeting the following specifications on the upper bunk, and lower bunk

## **Upper bed**

<b>Bed Type</b>	<b>Length</b>	<b>Width</b>	<b>Thickness</b>
<i>Twin Standard</i>	<i>74" - 75"</i>	<i>38 1/2"</i>	<i>6" max</i>

## **Lower bed**

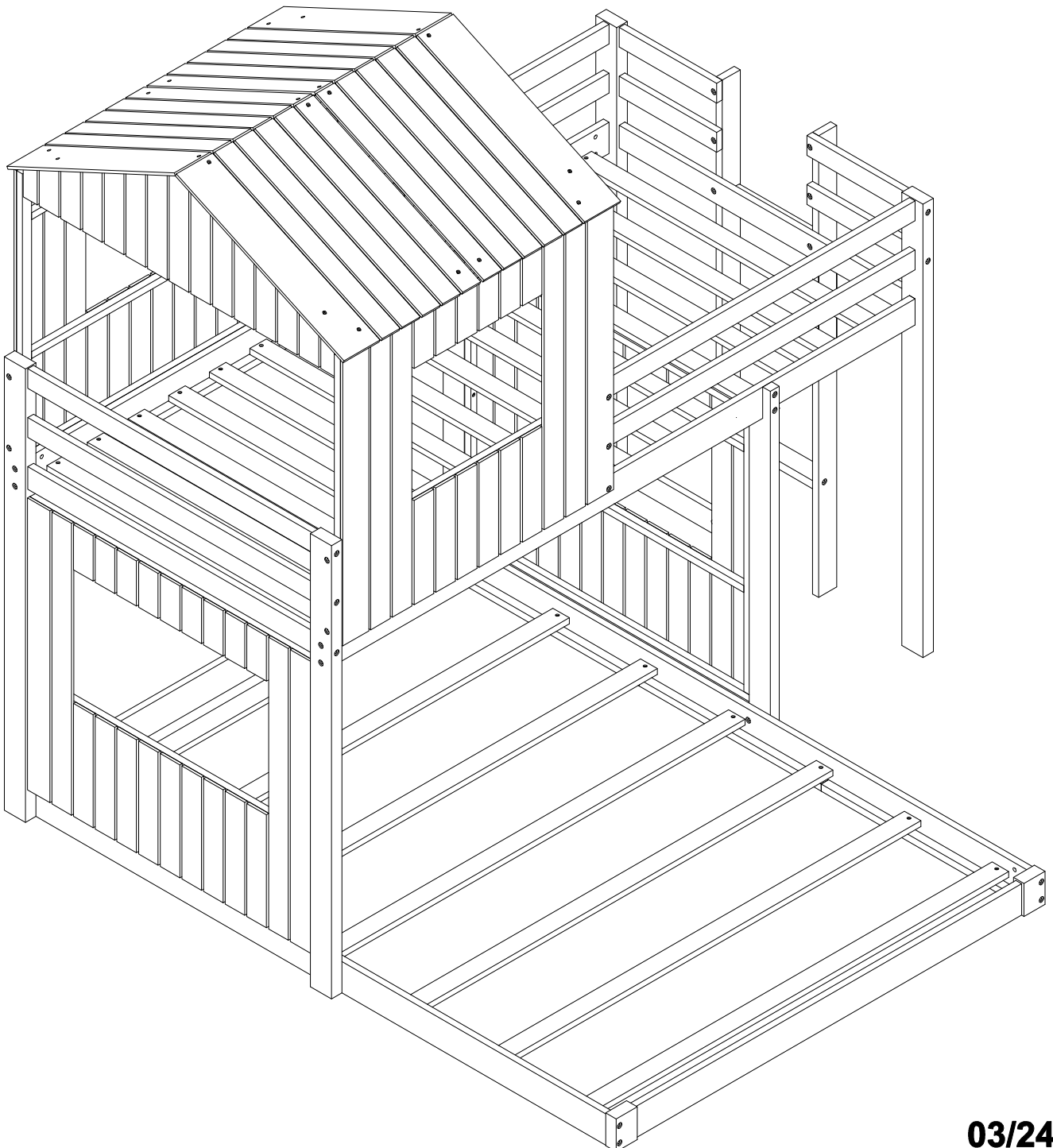
<b>Bed Type</b>	<b>Length</b>	<b>Width</b>	<b>Thickness</b>
<i>Full Standard</i>	<i>74" - 75"</i>	<i>53 1/2"</i>	<i>8" max</i>

2. Replacement parts, including additional guardrails, maybe obtained from any of our (GIGACLOUD TECHNOLOGY (USA) INC. 18961 ARENTH AVENUE CITY OF INDUSTRY, CA, 91748) dealers
3. Follow the information on the warnings appearing on the upper bunk bed end structure and on the carton. Do not remove warning label from bed
4. Always use the recommended size mattresses or mattress supports, or both, to help prevent the likelihood of entrapment or falls.
5. Surface of mattress must be at least 5" (127mm) below the upper edge of guardrails
6. Do not allow children under 6 years of age to use the upper bunk.
7. Periodically check and ensure that the guardrail, ladder, and other components are in their proper position, free from damage, and that all connectors are tight.
8. Do not allow horseplay on or under the bed and prohibit jumping on the bed.
9. Always use the ladder for entering and leaving the upper bunkAlways use the ladder for entering and leaving the upper bunk.
10. Do not use substitute part. Contact the manufacture or dealer for replacement part
11. Use of a night light may provide added safety precaution for a child using the upper bunk..
12. Always use guardrails on both long sides of the upper bunk. If the bunk bed will be placed next to the wall, the guardrail that runs the full length of the bed should be placed against the wall to prevent entrapment between the bed and wall.
13. The use of water or sleep flotation mattresses is prohibited
14. **STRANGULATION HAZARD** - Never attach or hang items to any part of the bunk bed that are not designed for use with the bed; for example, but not limited to, hook, belts and jump ropes
15. Keep these instruction for future reference
16. Prohibit more than one person on upper bunk
17. We recommend assembling your bunk bed on the shipping carton to protect your floor or carpet
18. Be certain all staples are out of the box before beginning assembly on the shipping carton.

# ASSEMBLY INSTRUCTION

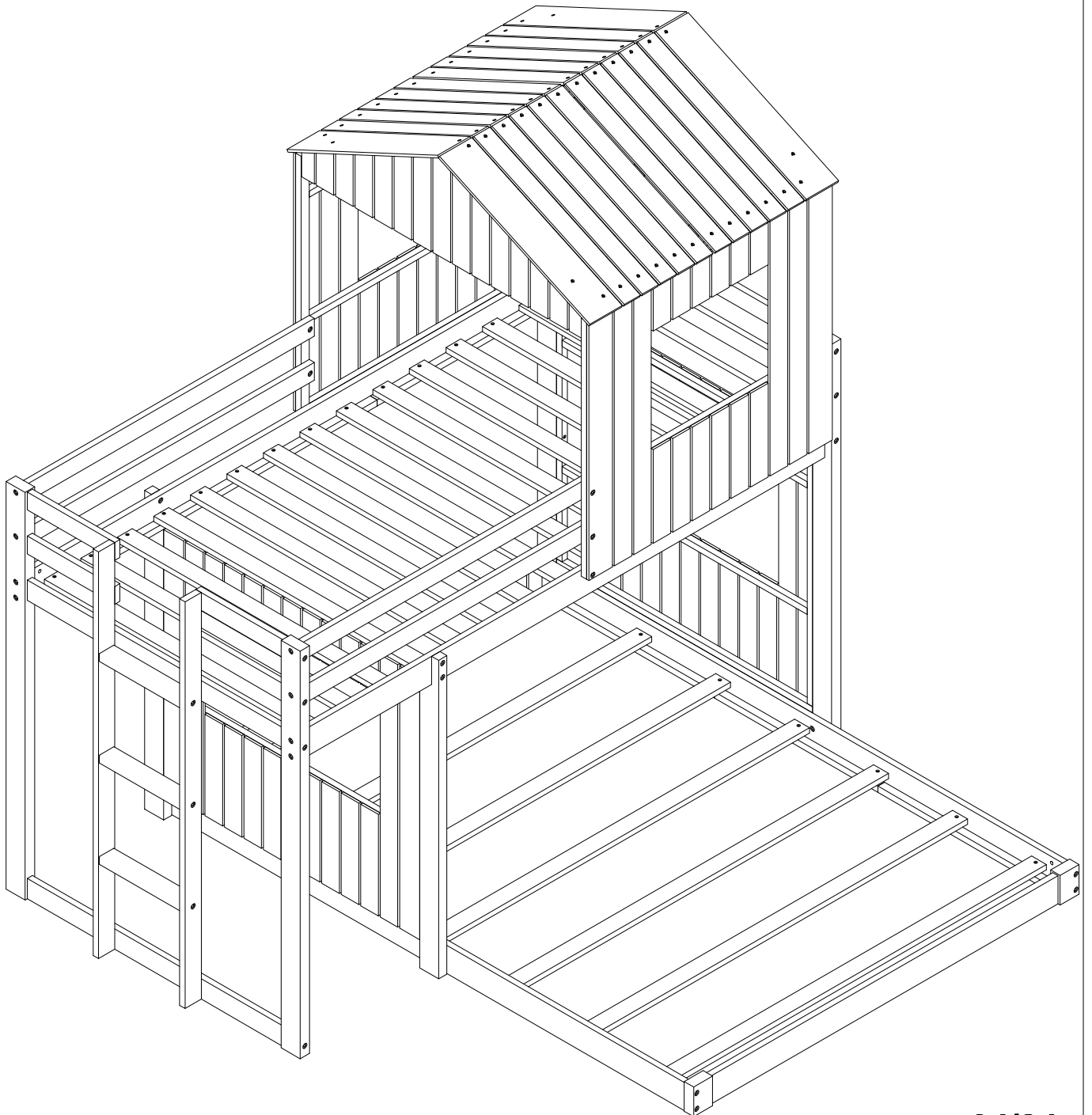
This item can be assemble full bed Right (OPTION 1) or Left (OPTION 2)

## HOUSE BED OPTION 1

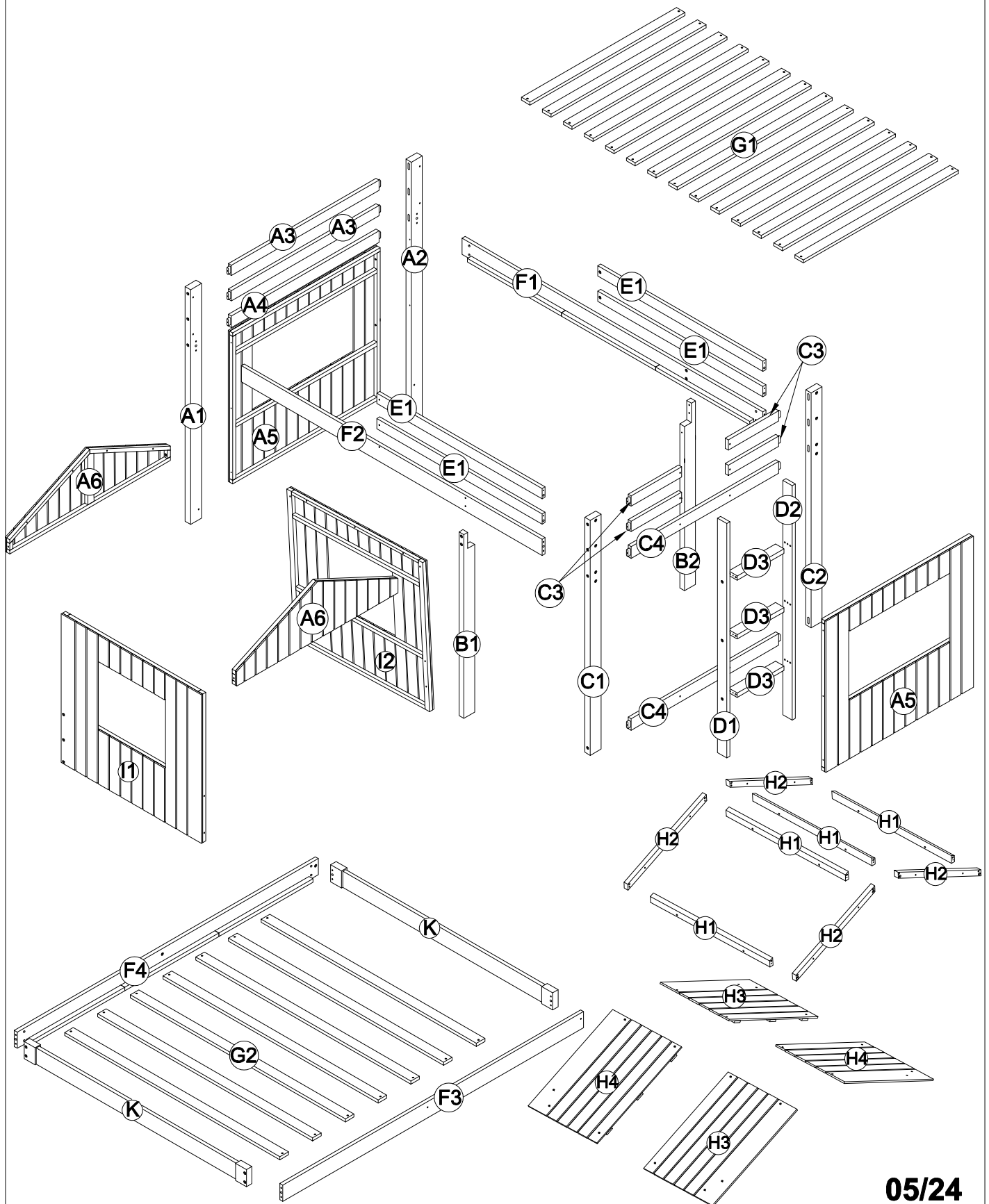


**If you are using option 1, you want to  
using to option 2, start from step 15**

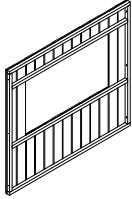
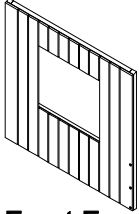
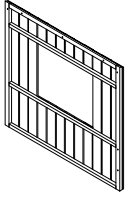
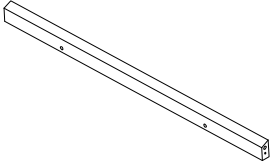
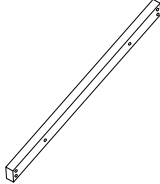
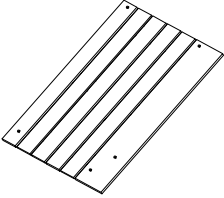
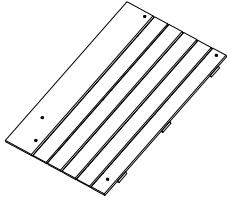
## **HOUSE BED OPTION 2**



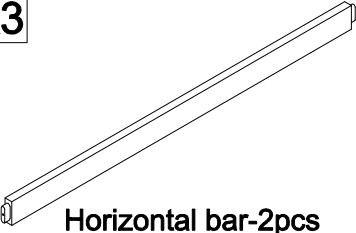
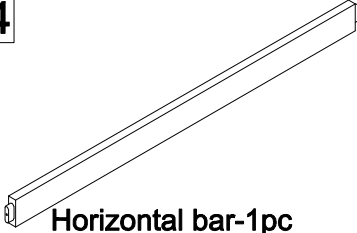
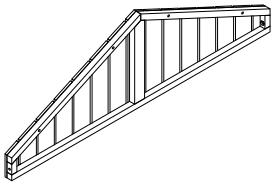
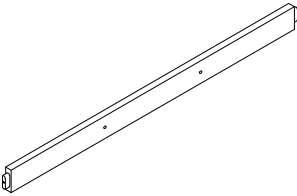
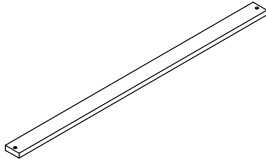
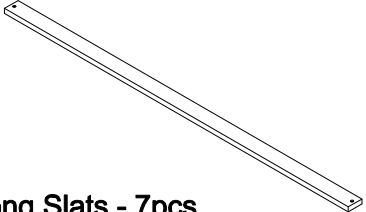



# ASSEMBLY INSTRUCTION









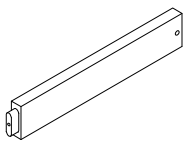
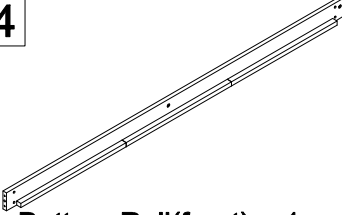
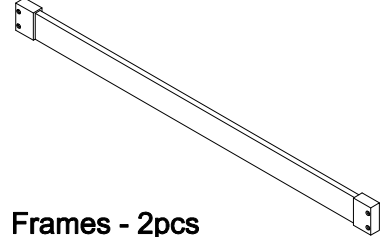
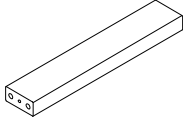
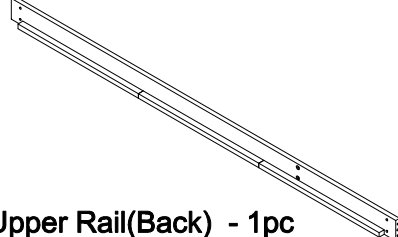
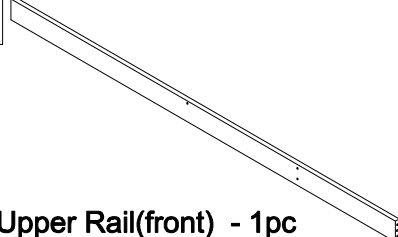
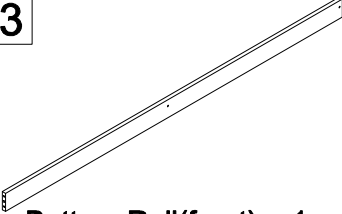
# Part List(WF302849)

<b>A5</b>  Side Frames-2pcs	<b>I1</b>  Front Frames - 1pc	<b>I2</b>  Back Frames - 1pc
<b>H1</b>  RoofTop-Wood Bars-4pcs	<b>H2</b>  RoofTop-Wood Bars-4pcs	<b>H3</b>  RoofTop-Frames-2pcs
<b>H4</b>  RoofTop-Frames-2pcs		

# Part List(WF302850)


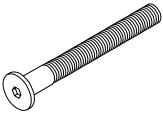

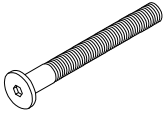
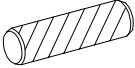
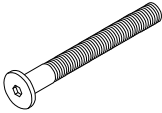



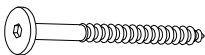
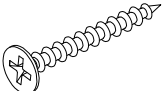
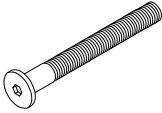
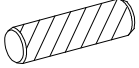
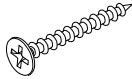
<b>A3</b>  Horizontal bar-2pcs	<b>A4</b>  Horizontal bar-1pc	<b>A6</b>  Side Frames-2pcs
<b>C4</b>  Horizontal bar-2pcs	<b>G1</b>  Short Slats - 14pcs	<b>G2</b>  Long Slats - 7pcs
<b>D1</b>  Side Ladder - 1pc	<b>D2</b>  Side Ladder - 1pc	<b>E1</b>  Back Rail - 4pcs

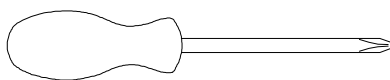
# Part List & Hardware List(Box 3-WF302851)

<p><b>A1</b></p>  <p>Leg (Front -Left) - 1pc</p>	<p><b>A2</b></p>  <p>Leg (Back -Left) - 1pc</p>	<p><b>B1</b></p>  <p>Leg (Front -Middle) - 1pc</p>
<p><b>B2</b></p>  <p>Leg (Back -Middle) - 1pc</p>	<p><b>C1</b></p>  <p>Leg (Front -Right) - 1pc</p>	<p><b>C2</b></p>  <p>Leg (Back -Right) - 1pc</p>
<p><b>C3</b></p>  <p>Horizontal bar-4pcs</p>	<p><b>F4</b></p>  <p>Bottom Rail(front) - 1pc</p>	<p><b>K</b></p>  <p>Frames - 2pcs</p>
<p><b>D3</b></p>  <p>Step Ladder - 3psc</p>	<p><b>F1</b></p>  <p>Upper Rail(Back) - 1pc</p>	<p><b>F2</b></p>  <p>Upper Rail(front) - 1pc</p>
<p><b>F3</b></p>  <p>Bottom Rail(front) - 1pc</p>		



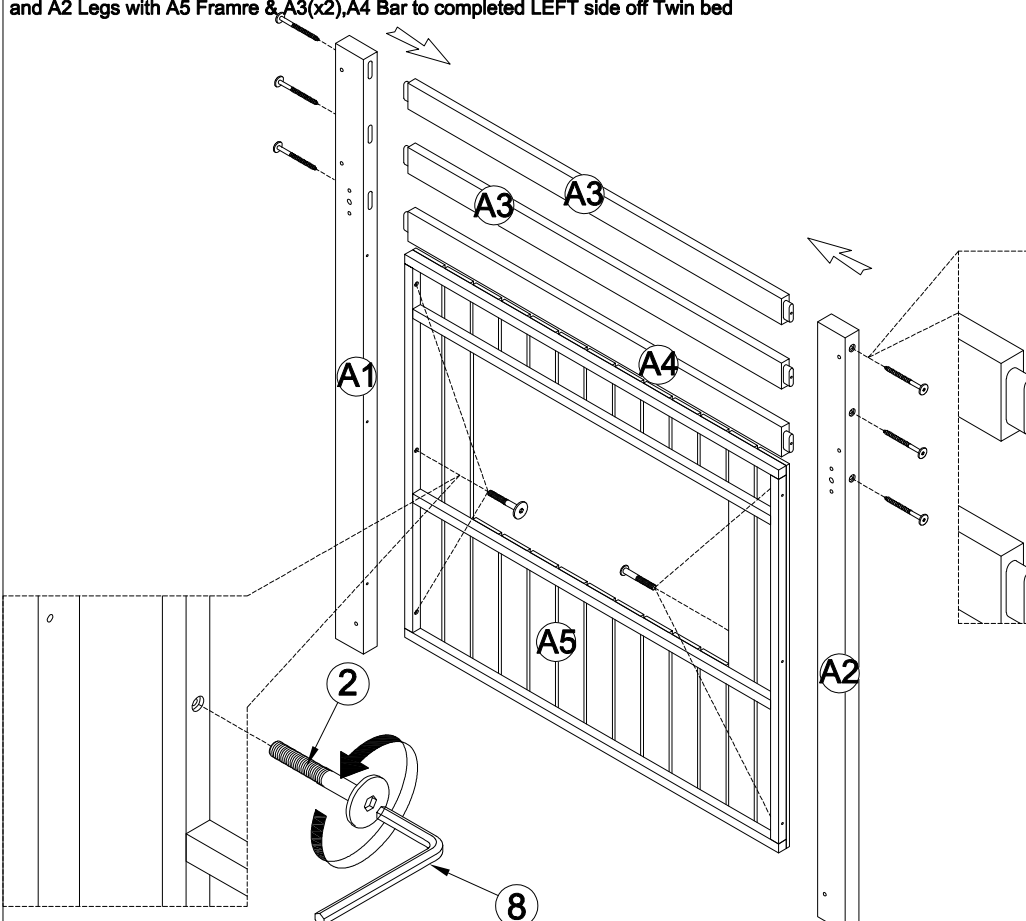
# Hardware List (Box 3-WF302851)

<p><b>1</b></p>  <p>Screws 1/4" x100 (14pcs)</p>	<p><b>2</b></p>  <p>Ø1/4" x 30 mm Hex-Head bolts 24pcs</p>	<p><b>3</b></p>  <p>Screws 1/4" x50 (14pcs)</p>
<p><b>4</b></p>  <p>Ø1/4" x 35 mm Hex-Head bolts 28pcs</p>	<p><b>5</b></p>  <p>Ø10 x 40 mm Wood dowel 24pcs</p>	<p><b>6</b></p>  <p>Ø1/4" x 80 mm Hex-Head bolts 16pcs</p>
<p><b>7</b></p>  <p>Ø1/4" x 15 mm Canopy head though - 12pcs</p>	<p><b>8</b></p>  <p>Allen Key 1pc</p>	<p><b>9</b></p>  <p>Ø1/4" x 13 mm Horizontal-Hole bolts 16pcs</p>
<p><b>10</b></p>  <p>Screws 1/4" x70 (4pcs)</p>	<p><b>11</b></p>  <p>M4 x 30 mm Wood Screws 42pcs</p>	<p><b>12</b></p>  <p>Ø1/4" x 50 mm Hex-Head bolts 4pcs</p>
<p><b>13</b></p>  <p>Ø8x30mm Wood dowel 8pcs</p>	<p><b>14</b></p>  <p>M4 x 20 mm Wood Screws 20pcs</p>	

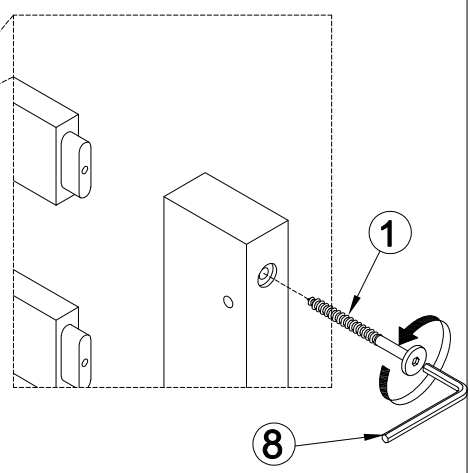


**Assembly Tools Required (Not Included)**

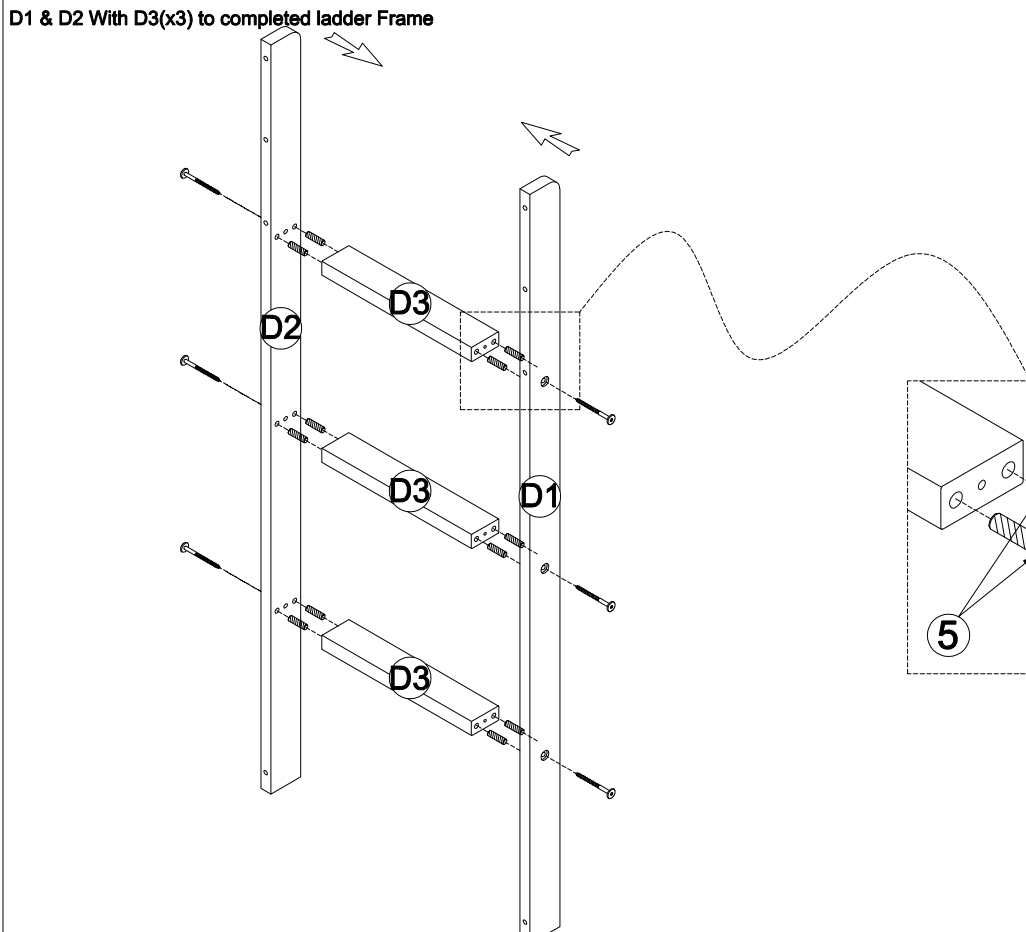
**STEP 1:** Following below illustration Assembly Headboard. Using HW #1, #2 connect A1 and A2 Legs with A5 Frame & A3(x2), A4 Bar to completed LEFT side off Twin bed



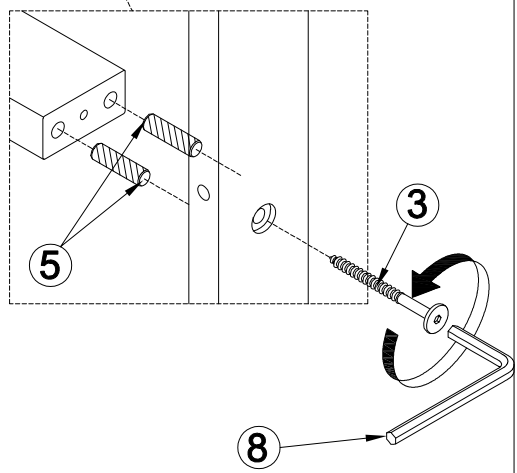
<p><b>2</b></p>	<p><b>1</b></p>
<p>6pcs</p>	<p>6pcs</p>



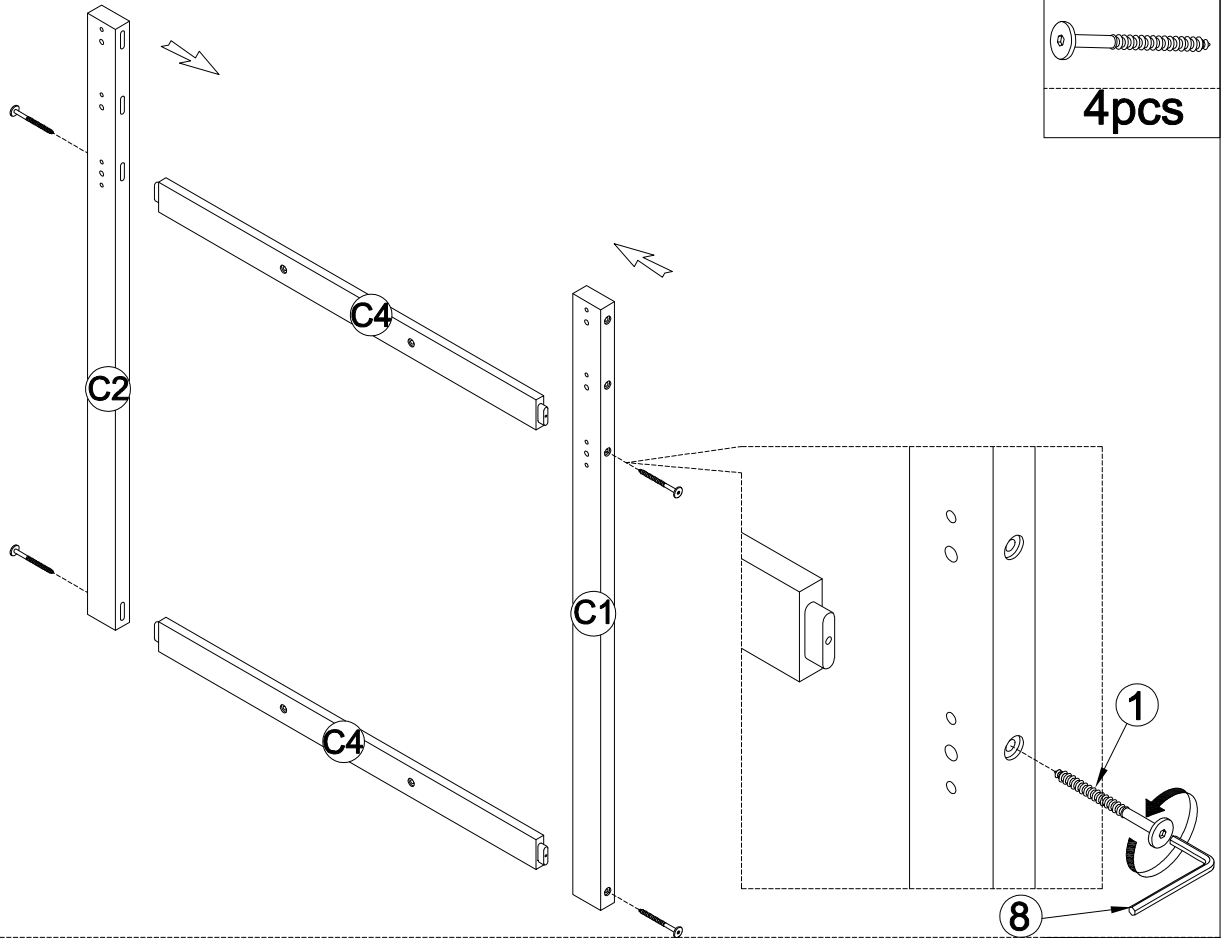
**STEP 2-1:** Following below illustration Assembly Ladder. Using HW #3 and Dowel #5 connect D1 & D2 With D3(x3) to completed ladder Frame



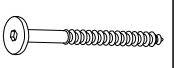
<p><b>5</b></p>	<p><b>3</b></p>
<p>12pcs</p>	<p>6pcs</p>



# STEP 2-2: Following below illustration Assembly Footboard. Using HW #1 connect C1,C2 Legs With C4(x2)



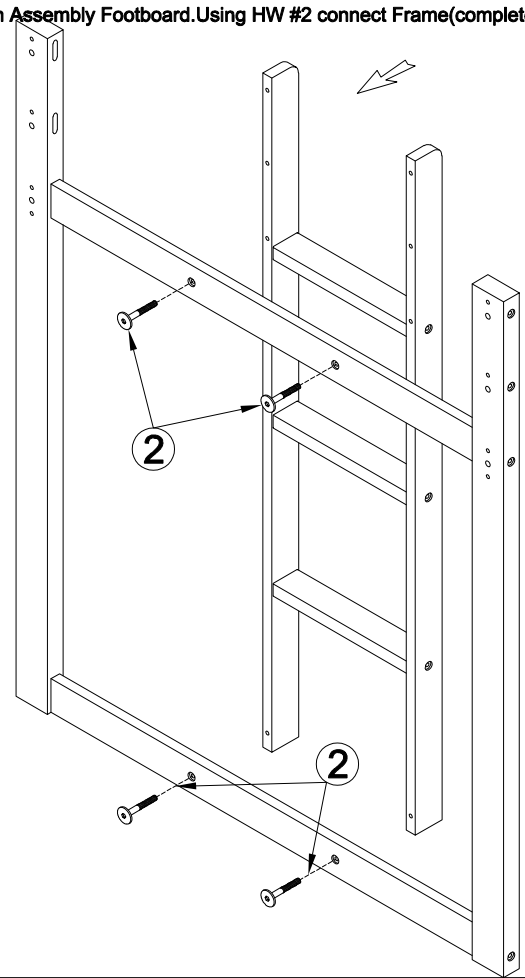
1



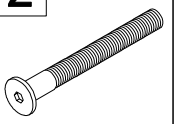
4pcs

# STEP 2-3: Following below illustration Assembly Footboard. Using HW #2 connect Frame (completed on step 2-2)

With Ladder Frame (completed on step 2-1)



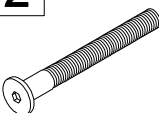
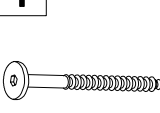
2

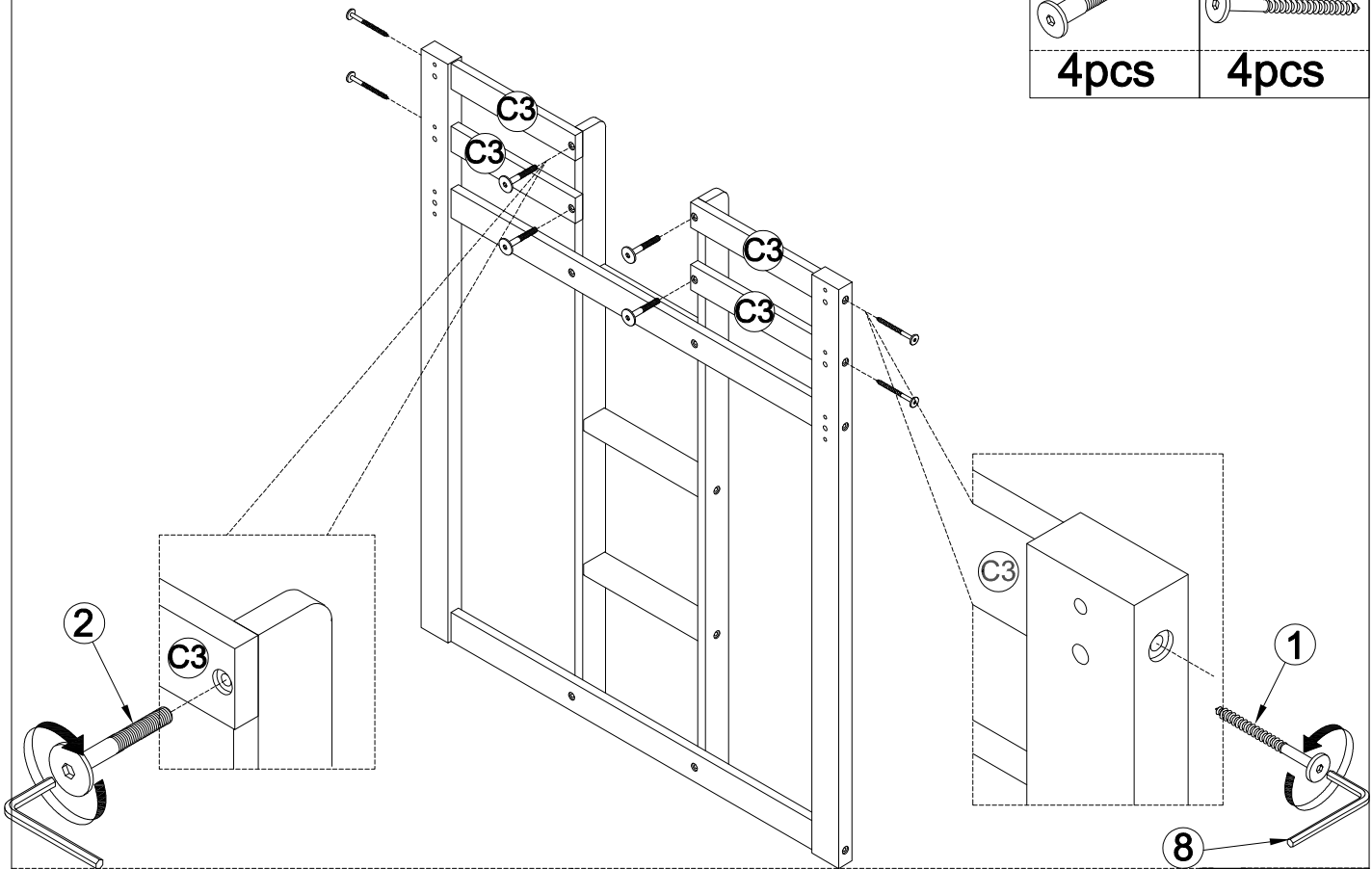


4pcs

# STEP 2-4: Following below illustration Assembly Footboard.Using HW #1,#2 connect Frame

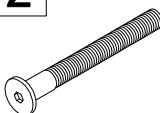
(completed on step 2-3) With C3(x4)

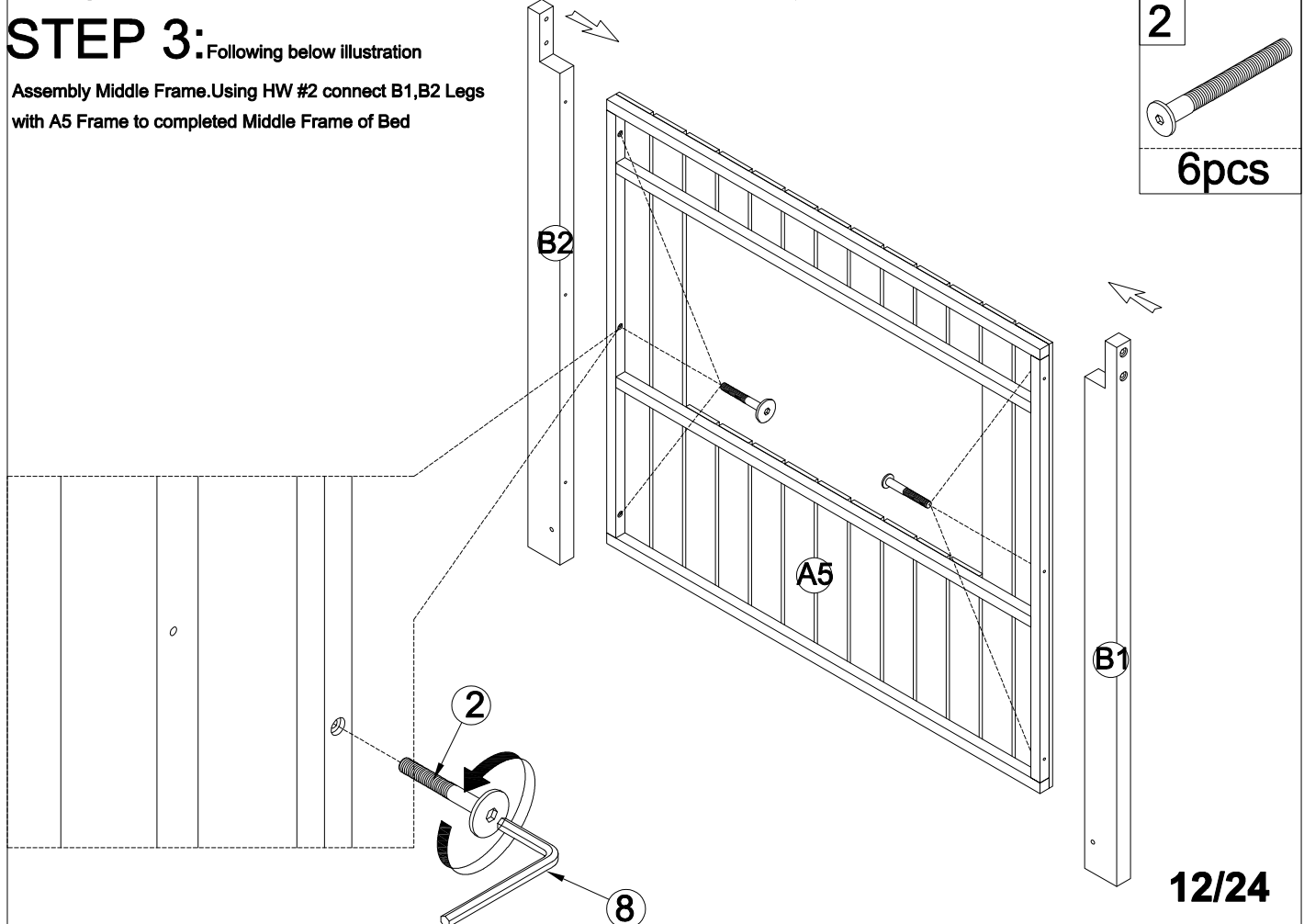
2	1
	
4pcs	4pcs



# STEP 3: Following below illustration

Assembly Middle Frame.Using HW #2 connect B1,B2 Legs with A5 Frame to completed Middle Frame of Bed

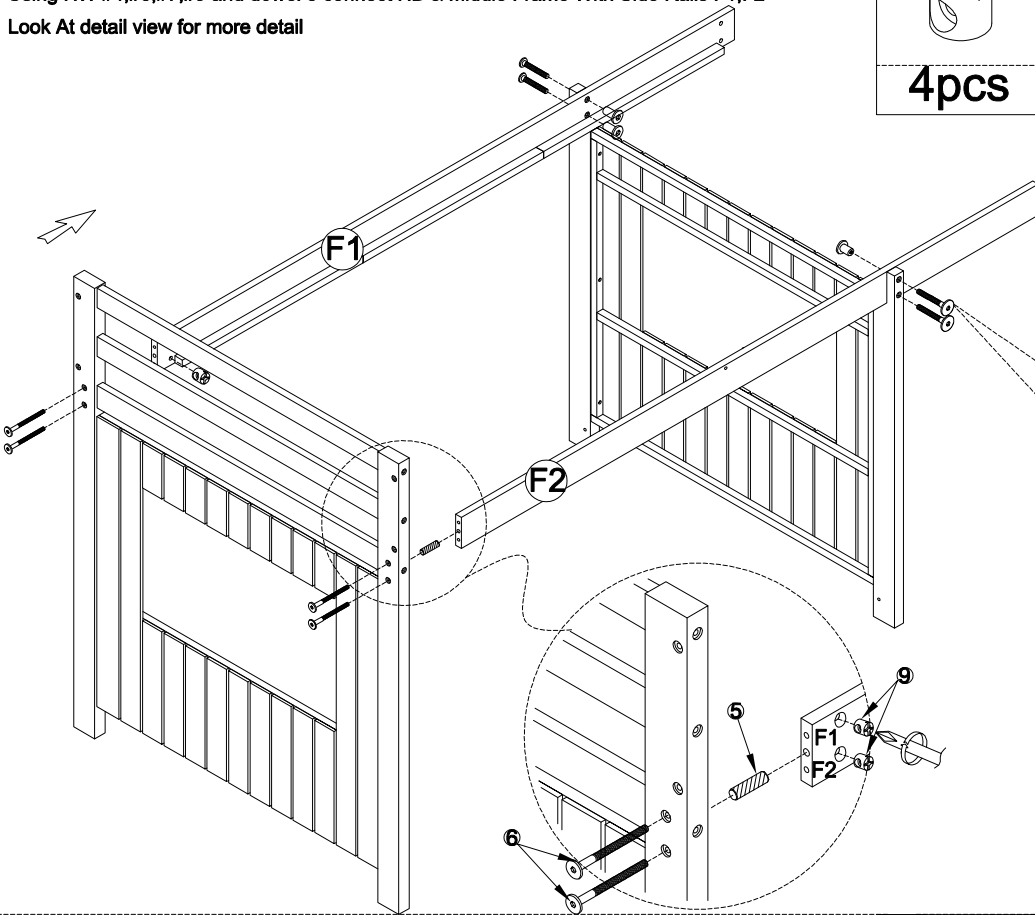
2

6pcs



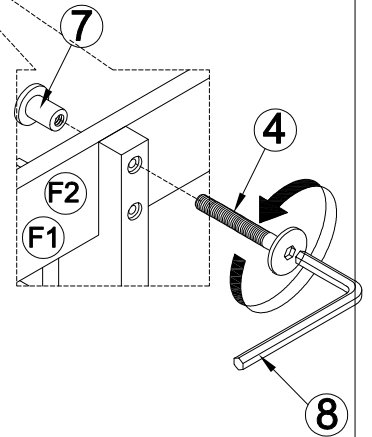
# STEP 4:

Following below illustration.

Using HW #4,#6,#7,#9 and dowel 5 connect HB & Middle Frame With Side Rails F1,F2  
 Look At detail view for more detail



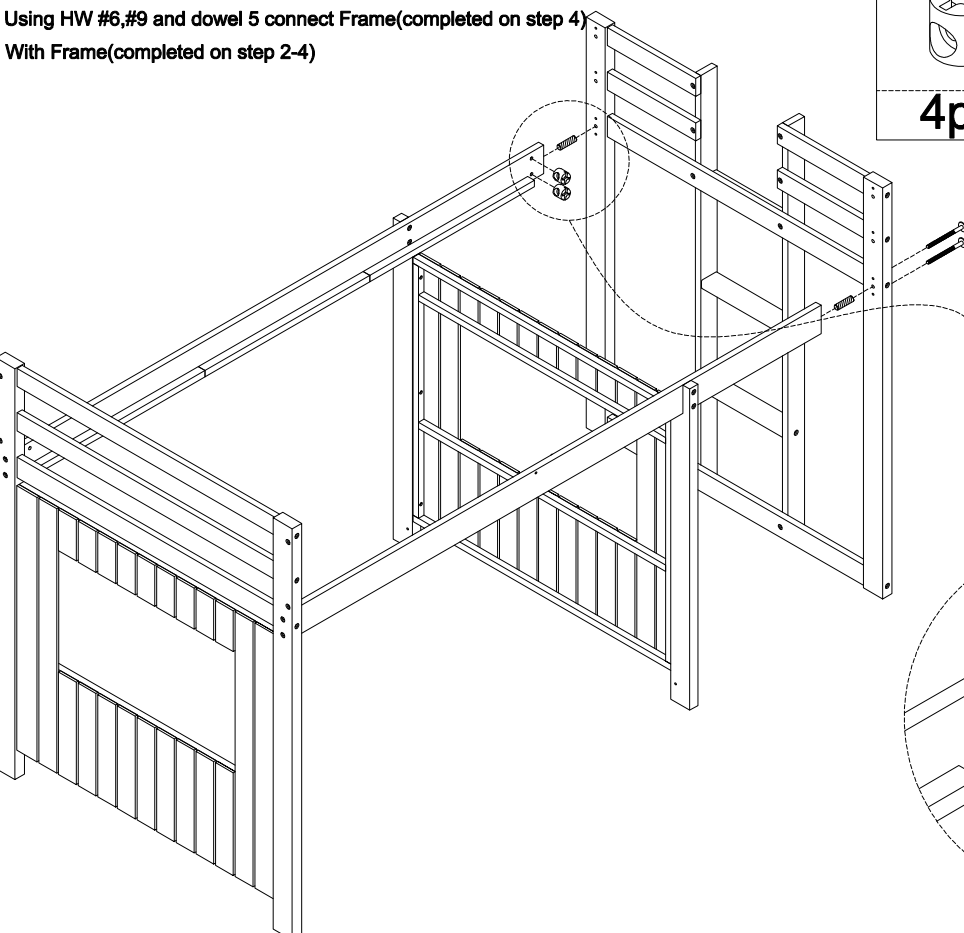
9	6	5
4pcs	4pcs	2pcs
7	4	
4pcs	4pcs	



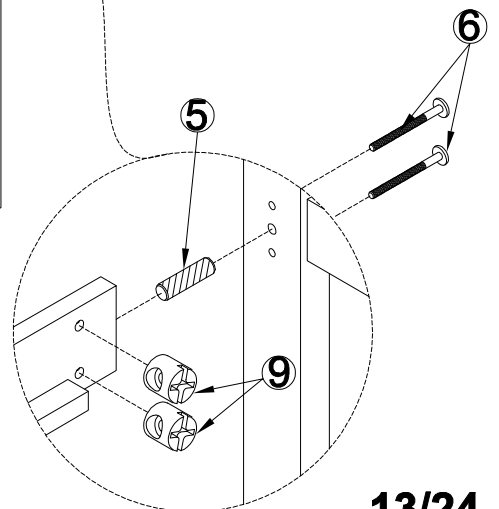
# STEP 5:

Following below illustration.

Using HW #6,#9 and dowel 5 connect Frame(completed on step 4)  
 With Frame(completed on step 2-4)



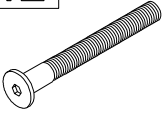


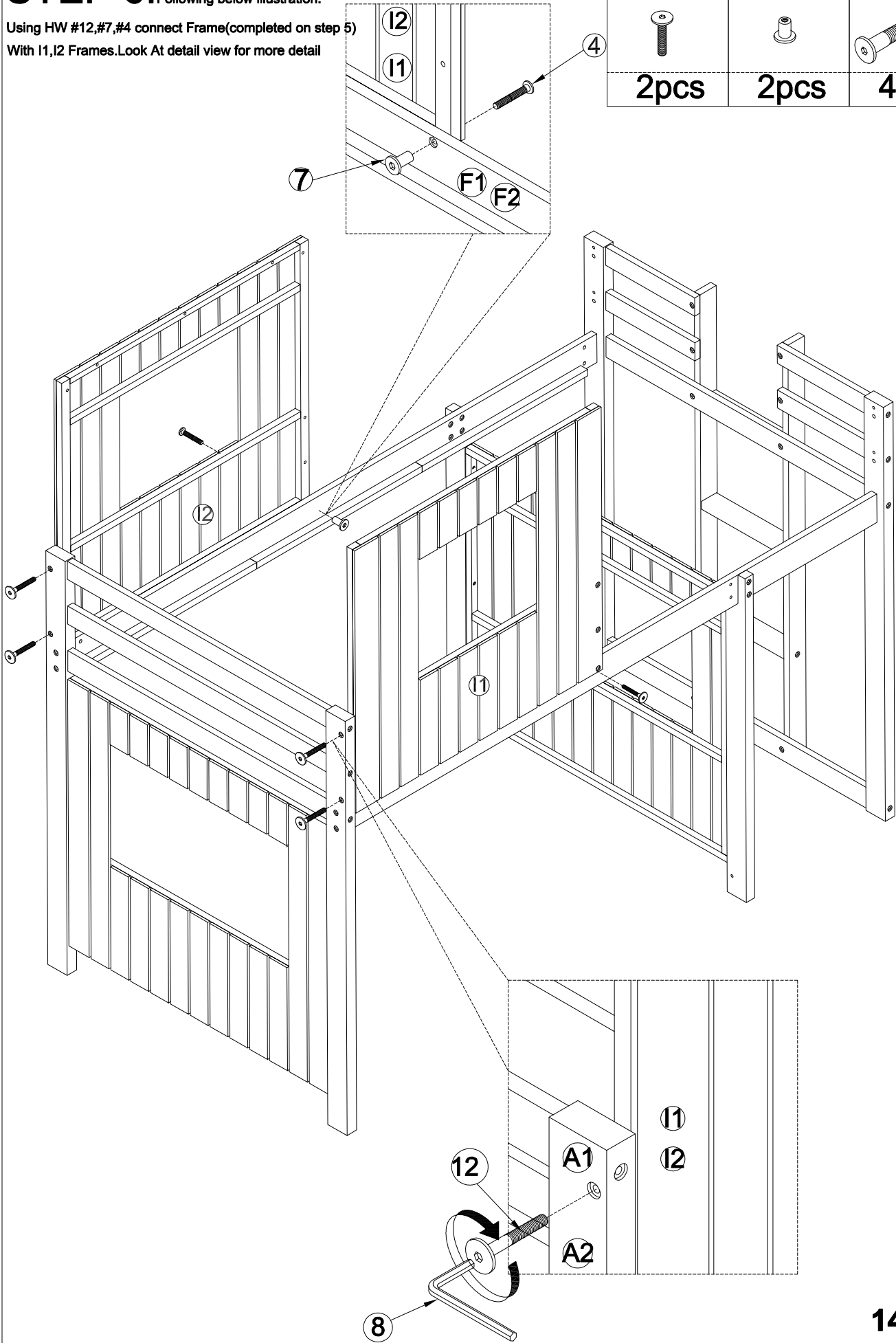
9	6	5
4pcs	4pcs	2pcs






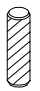
# STEP 6: Following below illustration.

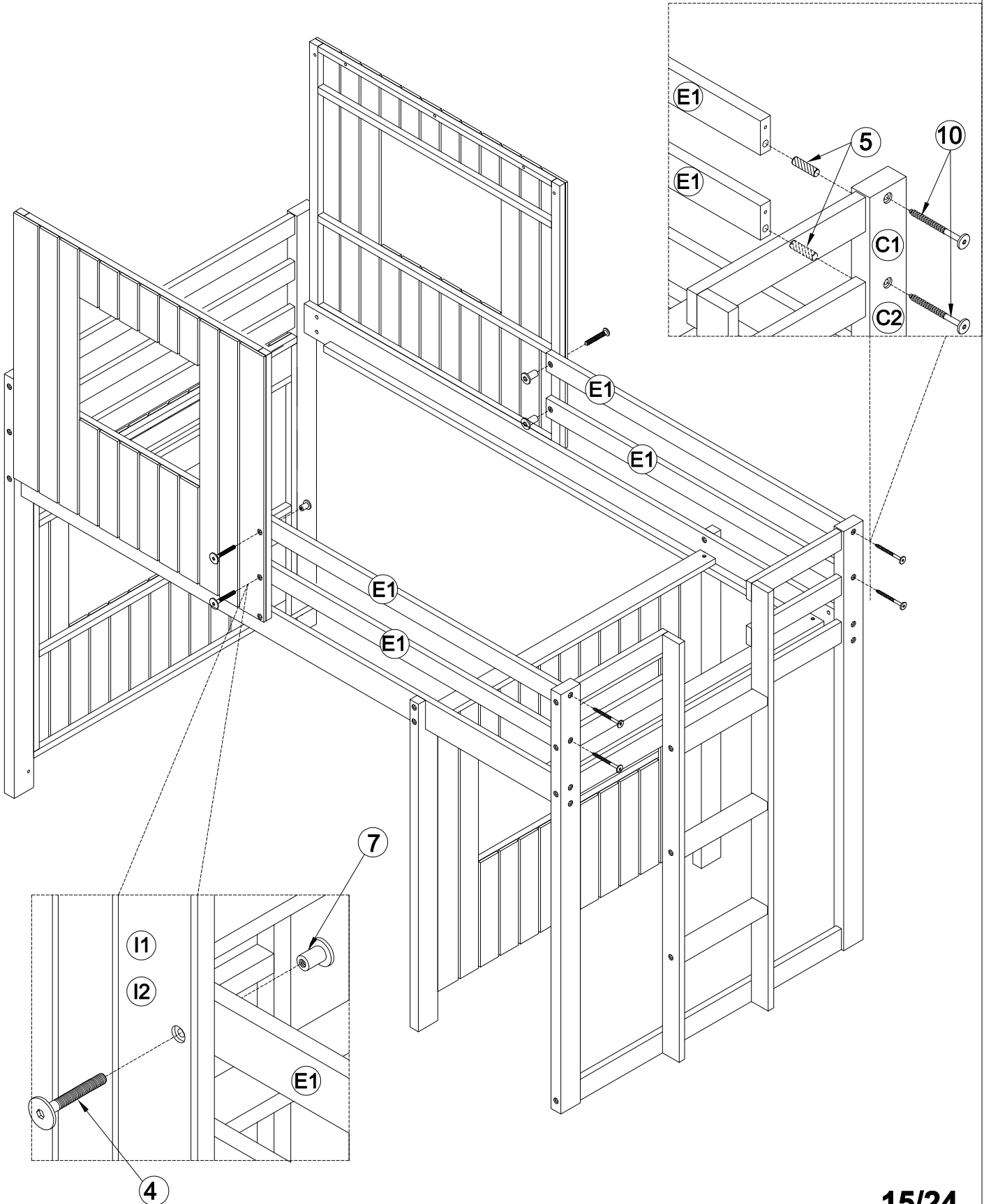
Using HW #12,#7,#4 connect Frame(completed on step 5)  
With I1,I2 Frames.Look At detail view for more detail

4	7	12
		
2pcs	2pcs	4pcs




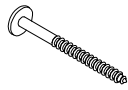
**STEP 7:** Following below illustration. Connect the Right frame with Front frame & Back Frame by Guardrail E1 (x4). Using hardware number listed in the right corner page also on picture to assembly.

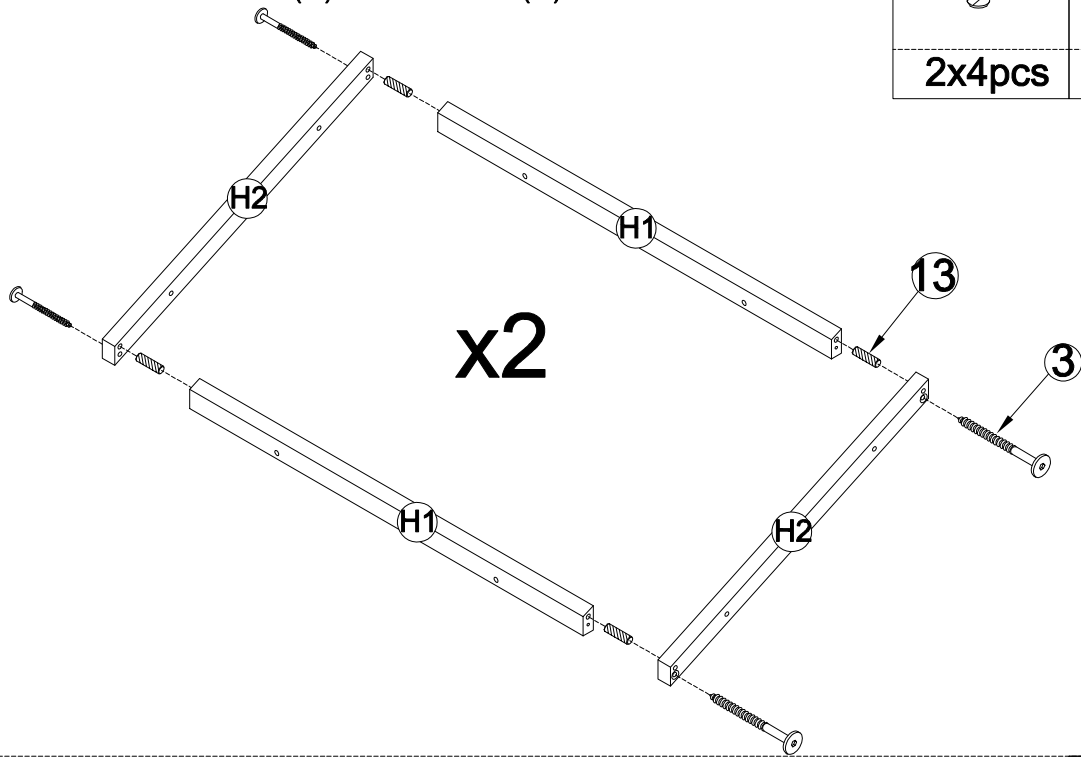
<p>4</p> 	<p>7</p> 	<p>10</p> 	<p>5</p> 
<p>4(pcs)</p>	<p>4(pcs)</p>	<p>4(pcs)</p>	<p>4(pcs)</p>



# STEP 8-1: Following below illustration.

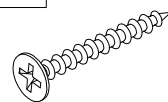
-Using hardware #3 and Dowel 13 connect H1(x2) Woodbars with H2(x2) Woodbars

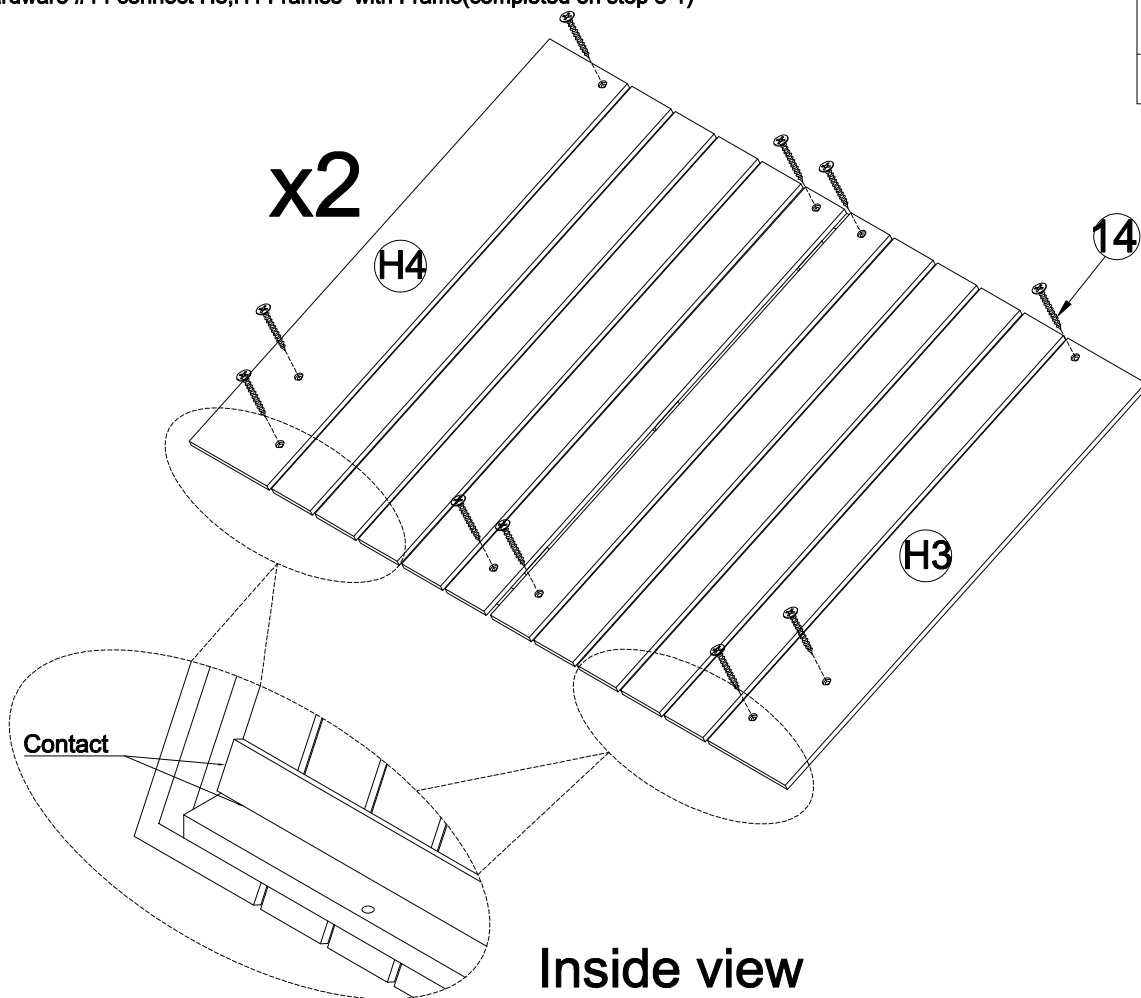
13		3	
2x4pcs		2x4pcs	



# STEP 8-2: Following below illustration.

-Using hardware #14 connect H3,H4 Frames with Frame(completed on step 8-1)



14	
10x2pcs	

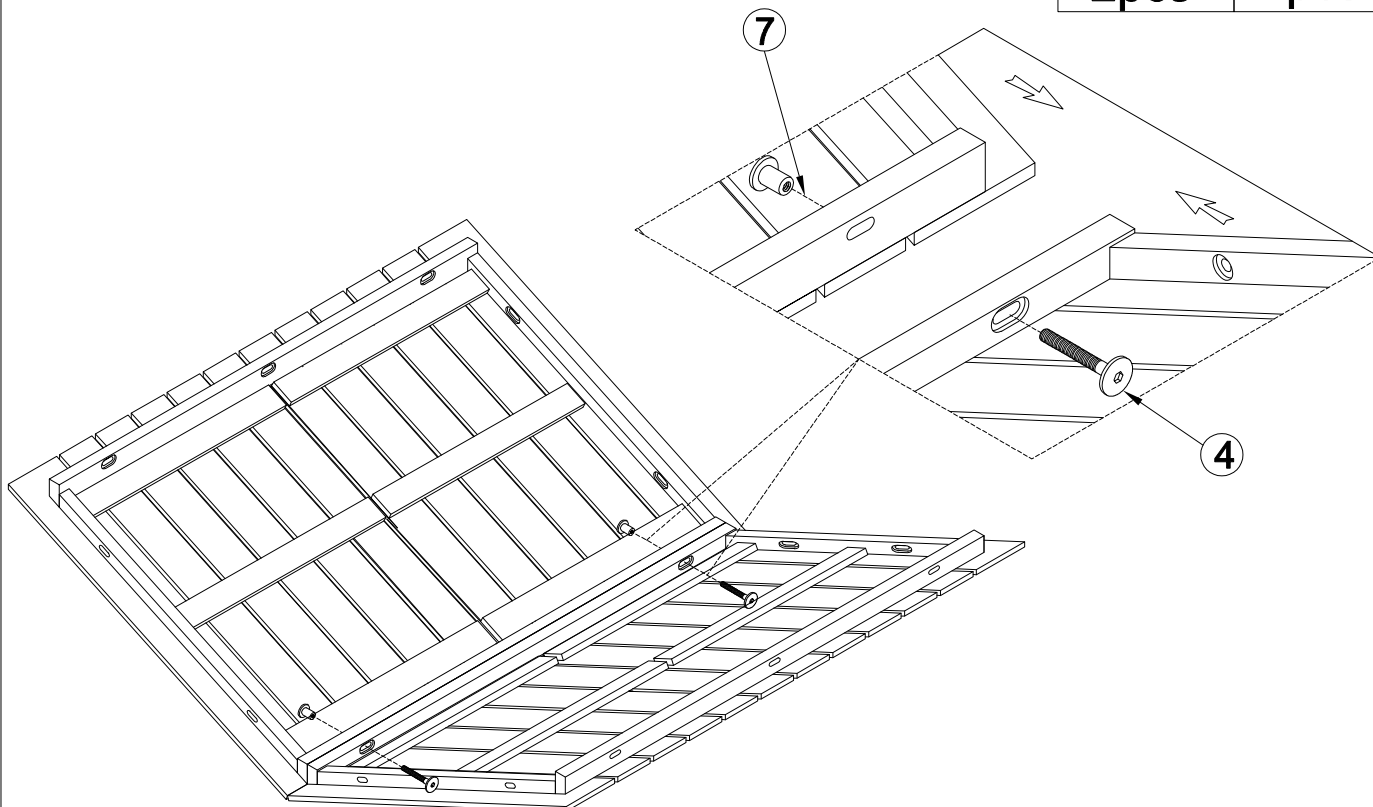




# STEP 8-3:

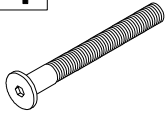
Following below illustration Assembly Roof top Frame. Using HW #4, #7 connect Frame (Completed on step 8-2) With Frame (Completed on step 8-2), using HW number listed in the right corner

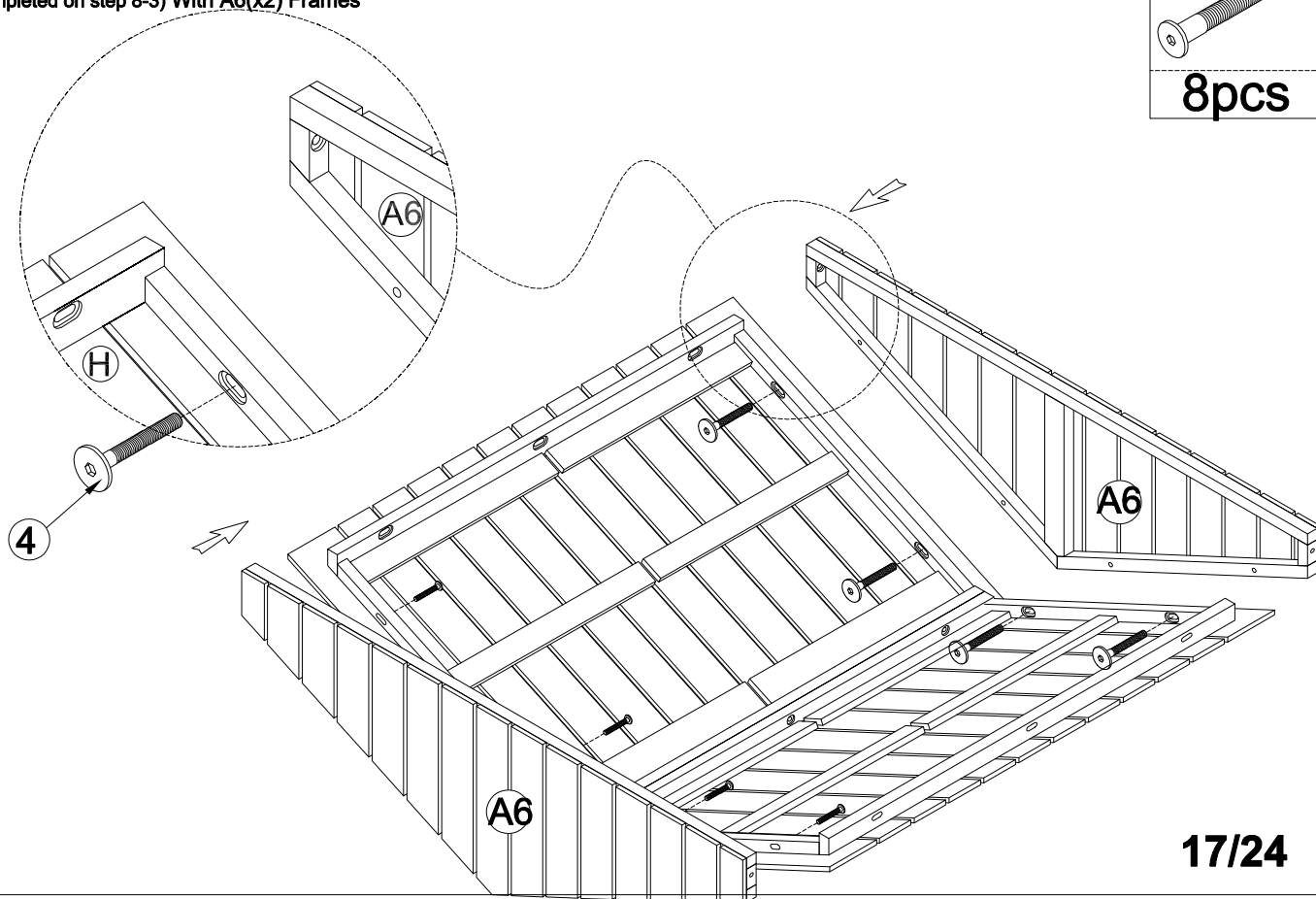
4	7
	
2pcs	2pcs



# STEP 9:

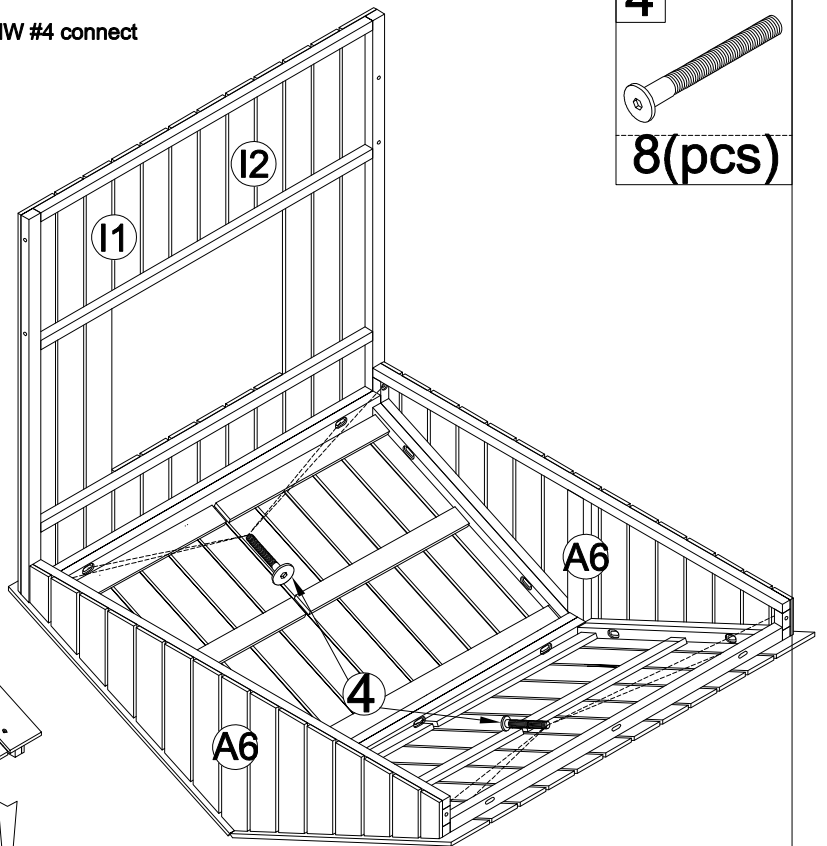
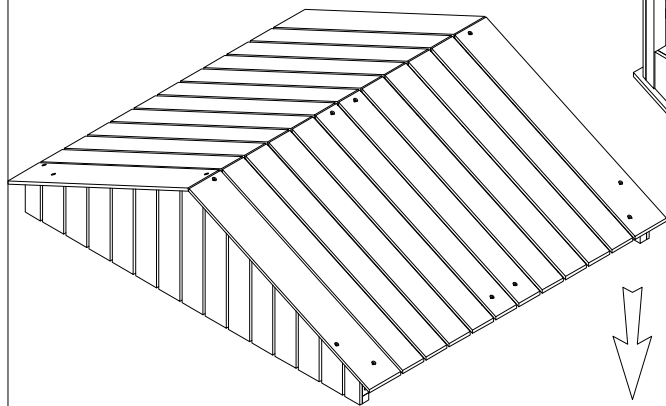
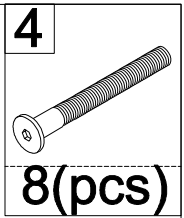
Following below illustration Assembly Roof top Frame. Using HW #4 connect Frame (completed on step 8-3) With A6(x2) Frames

4	
8pcs	

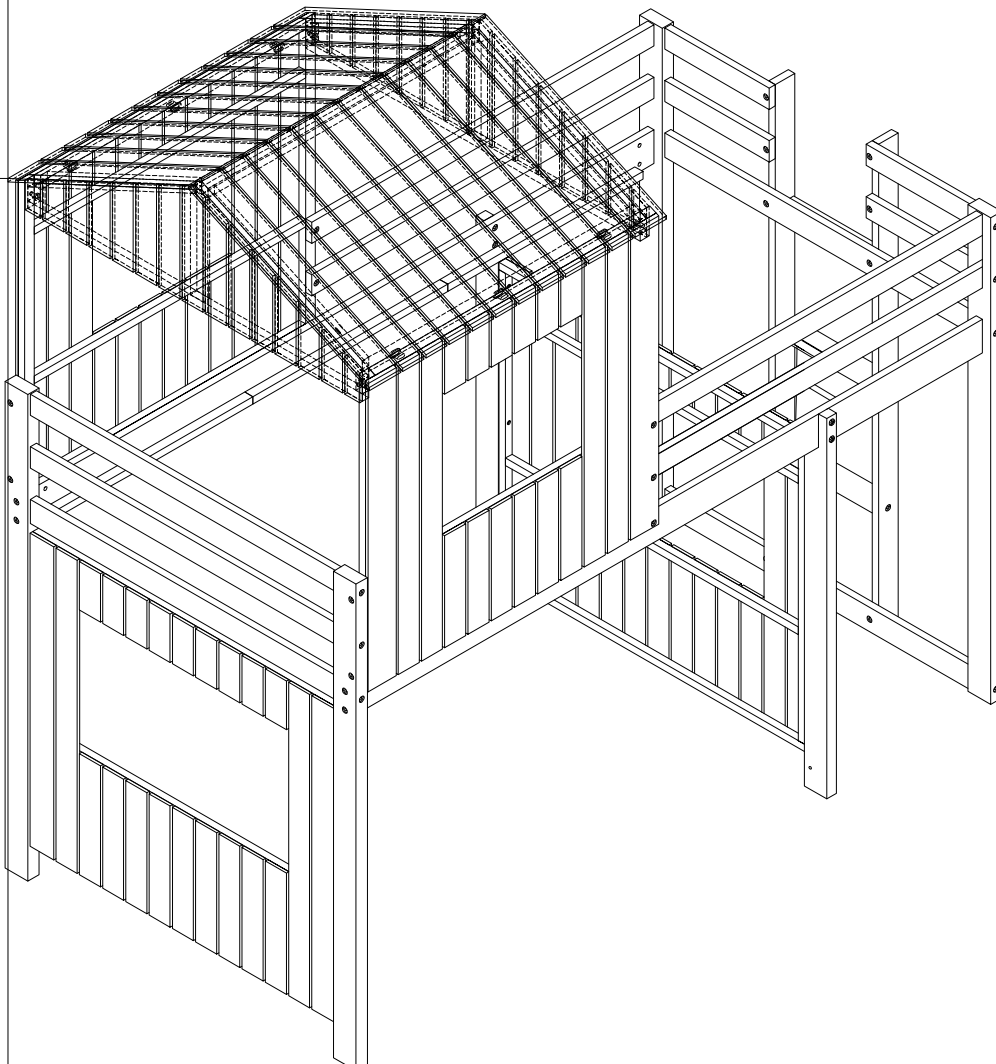


# STEP 10: Following below illustration.Using HW #4 connect

Frame(completed on step 7) With Frame(completed on step 9)

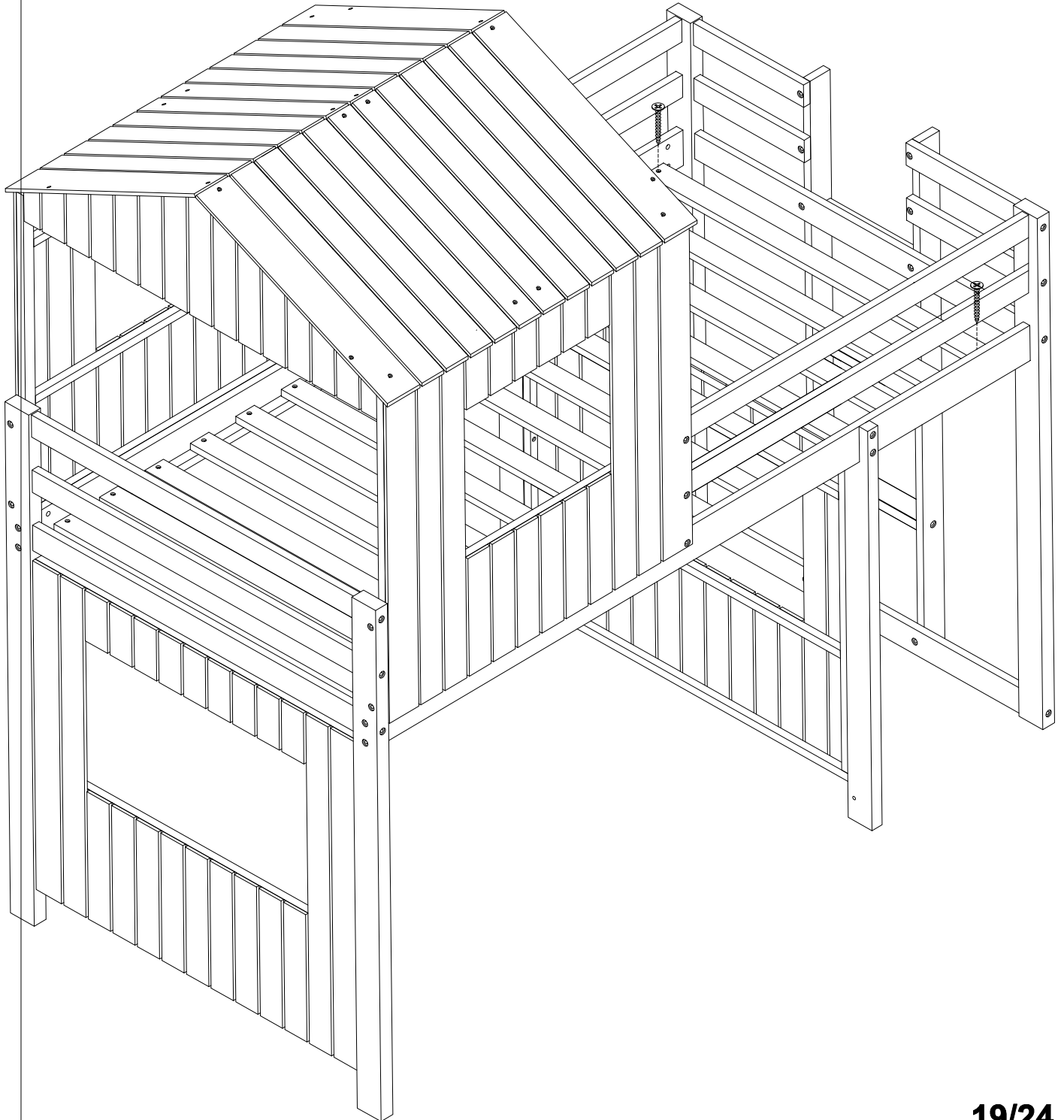
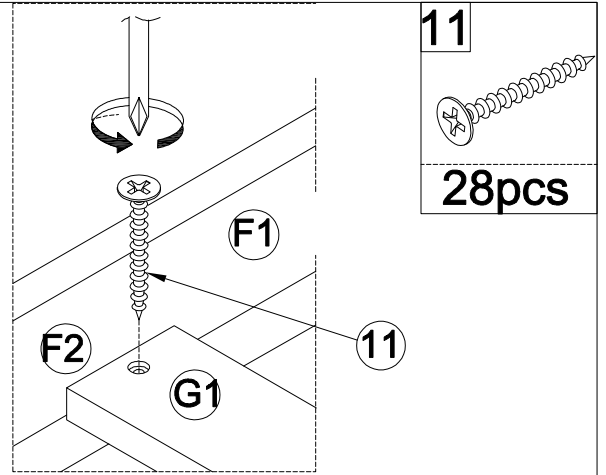


Under the roof view




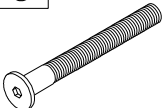

**STEP 11:** Following below illustration. Screw 14 Slats G1 with Side Rails F1,F2 by using HW #11

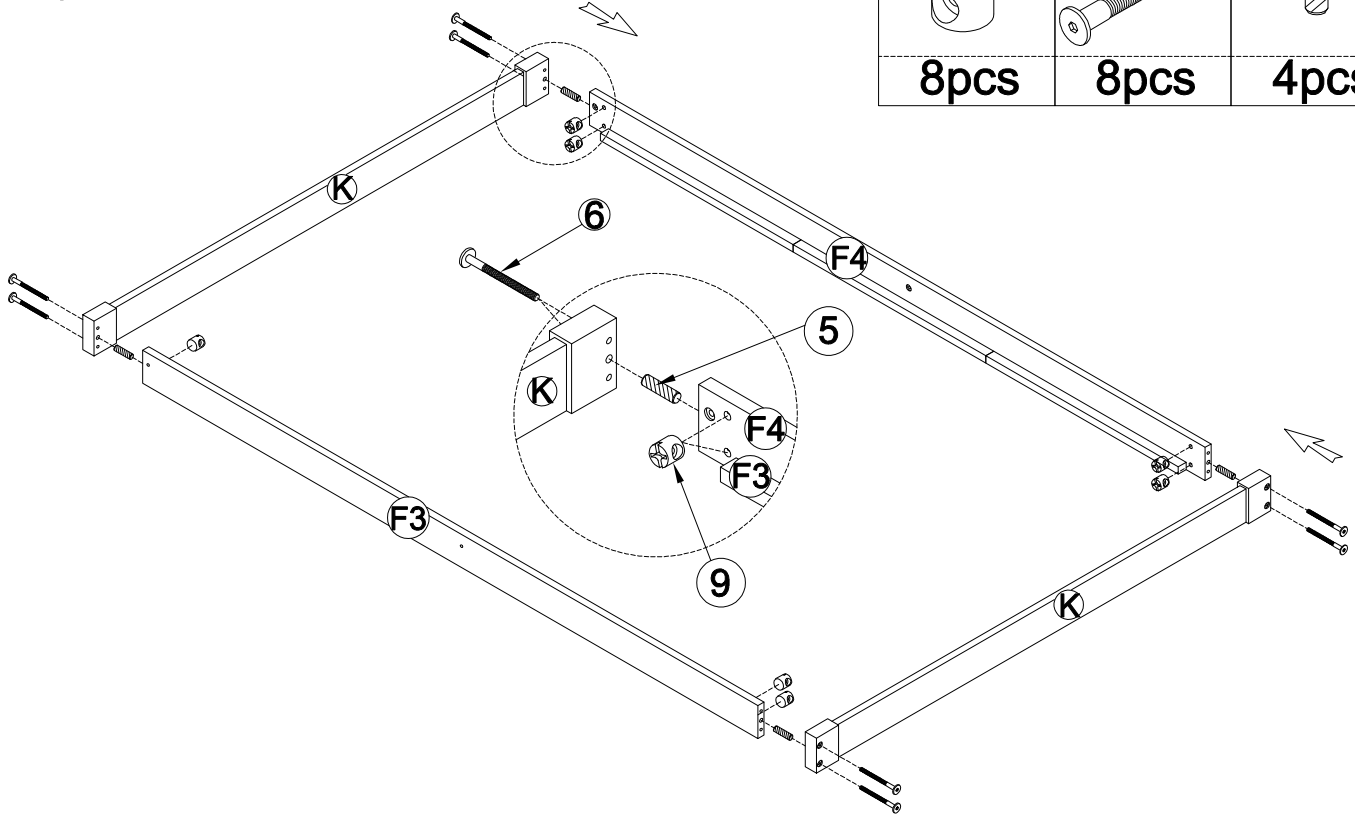
**ATTENTION:REMEMBER  
TO COMPLETE SCREW ALL  
SLATS WITH SIDE RAIL  
BEFORE ÚING**



# STEP 12: Following below illustration Assembly Full Bed.

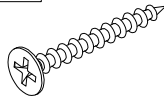
Using HW #6,#9 and dowel #5 connect HB & FB With Side rails F3,F4

9	6	5
		
8pcs	8pcs	4pcs

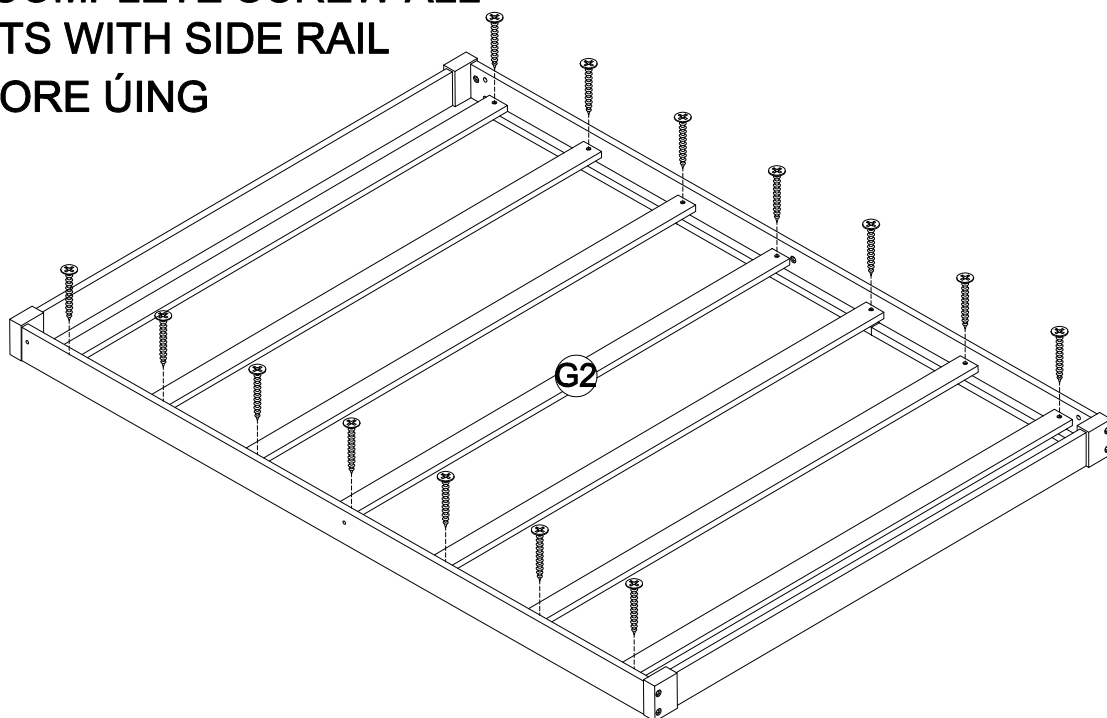


# STEP 13: Following below illustration. Screw 7 Slats G2 with Side

Rails F3,F4 by using HW #11

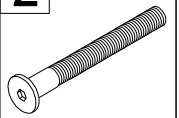
11

14pcs

**ATTENTION:REMEMBER  
TO COMPLETE SCREW ALL  
SLATS WITH SIDE RAIL  
BEFORE ÚING**

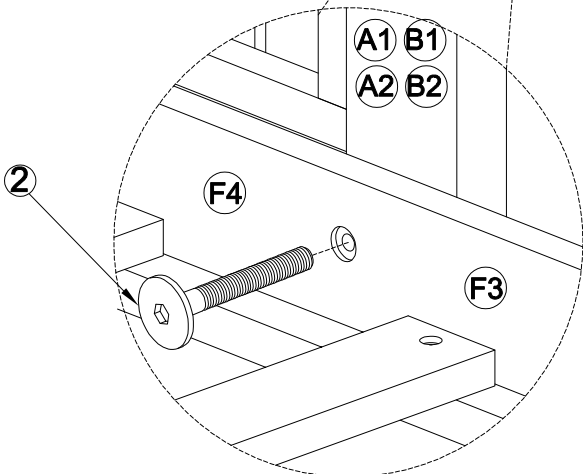
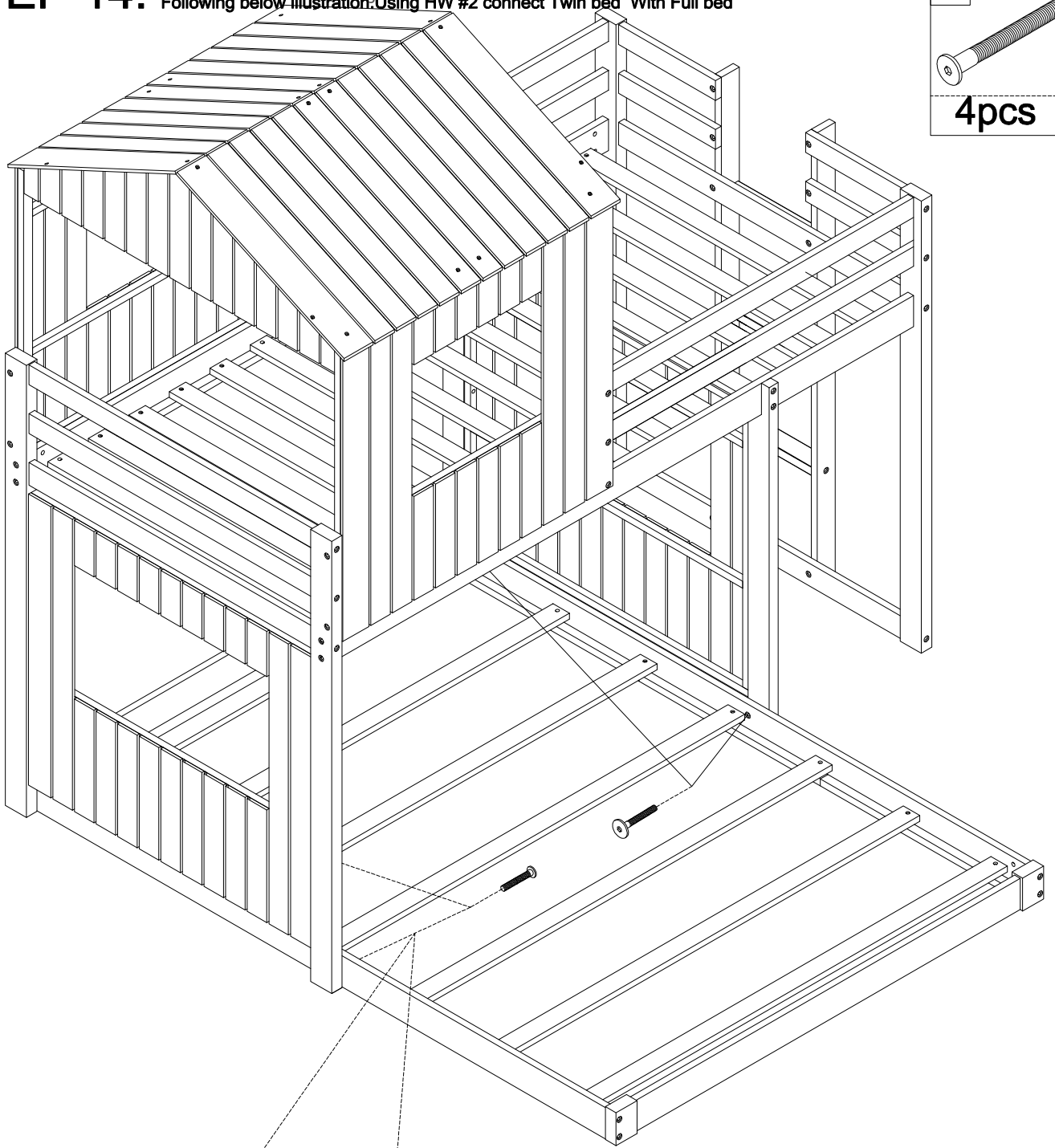


# STEP 14: Following below illustration: Using HW #2 connect Twin bed With Full bed

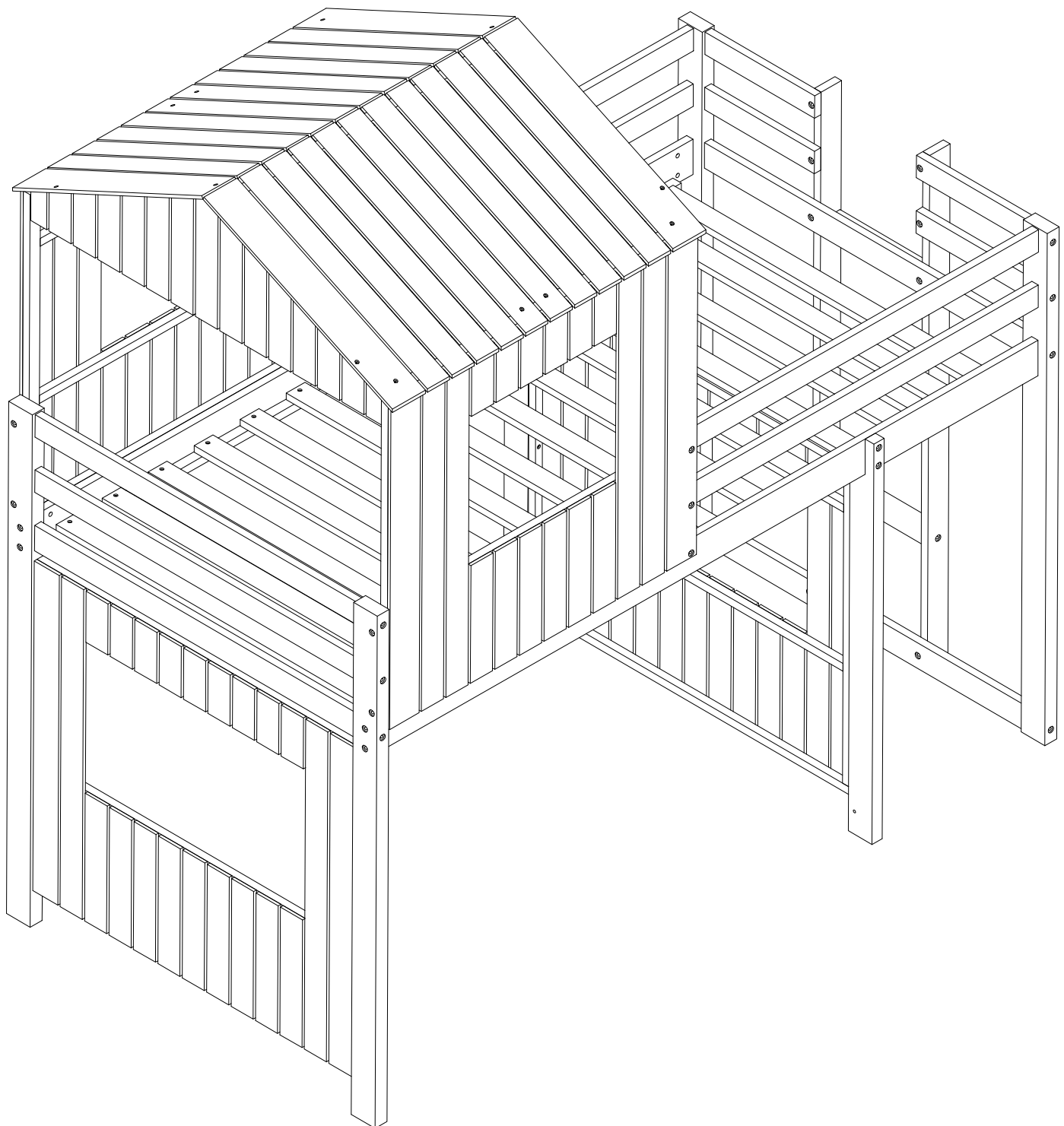
2



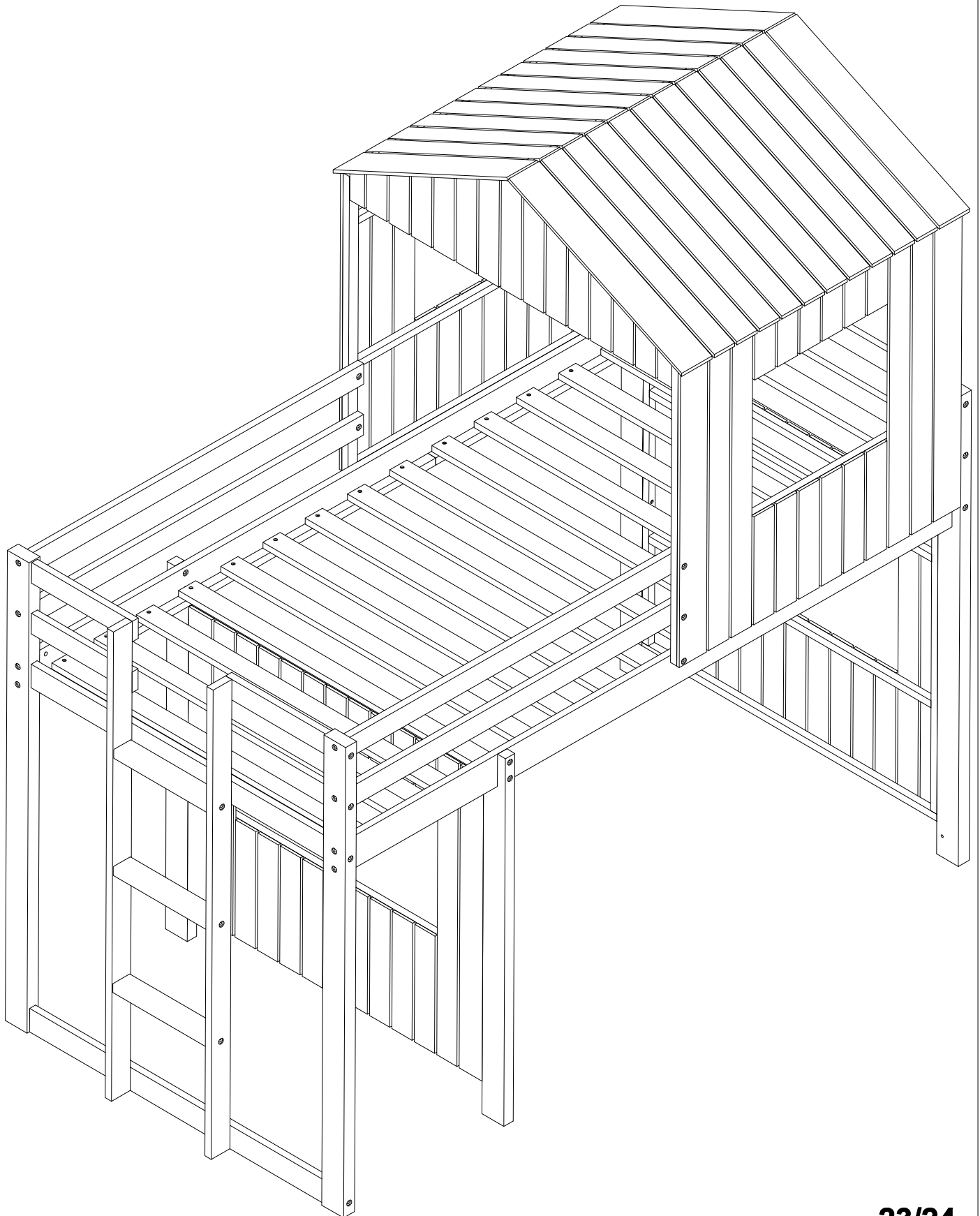
4pcs



**STEP 15:** Disassembly the full bed. Following below illustration



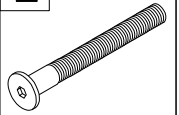
**STEP 16:** Rotate Twin bed 180 degrees



# STEP 17

:Following below illustration Using hardward #2 to Assembly Twin Bed with Full Bed .Look at detail view for more detail

2



4(pcs)

