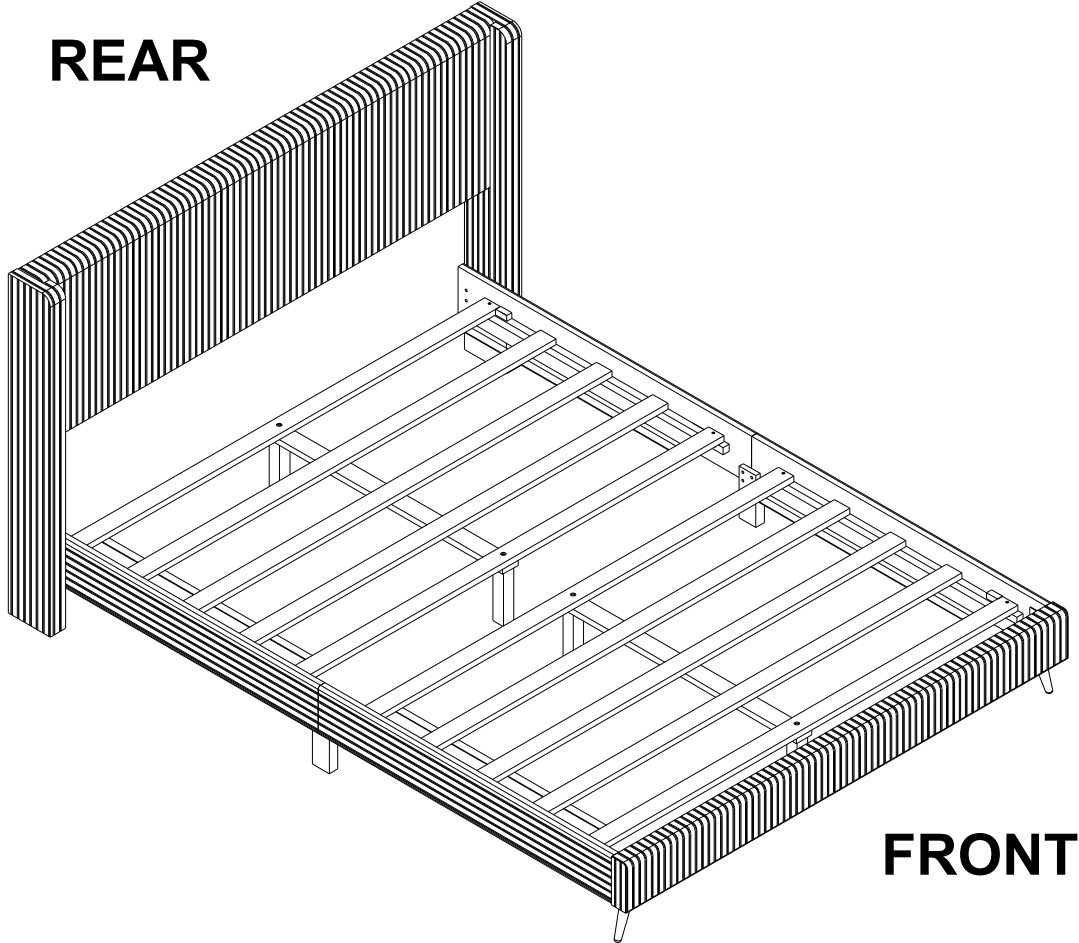
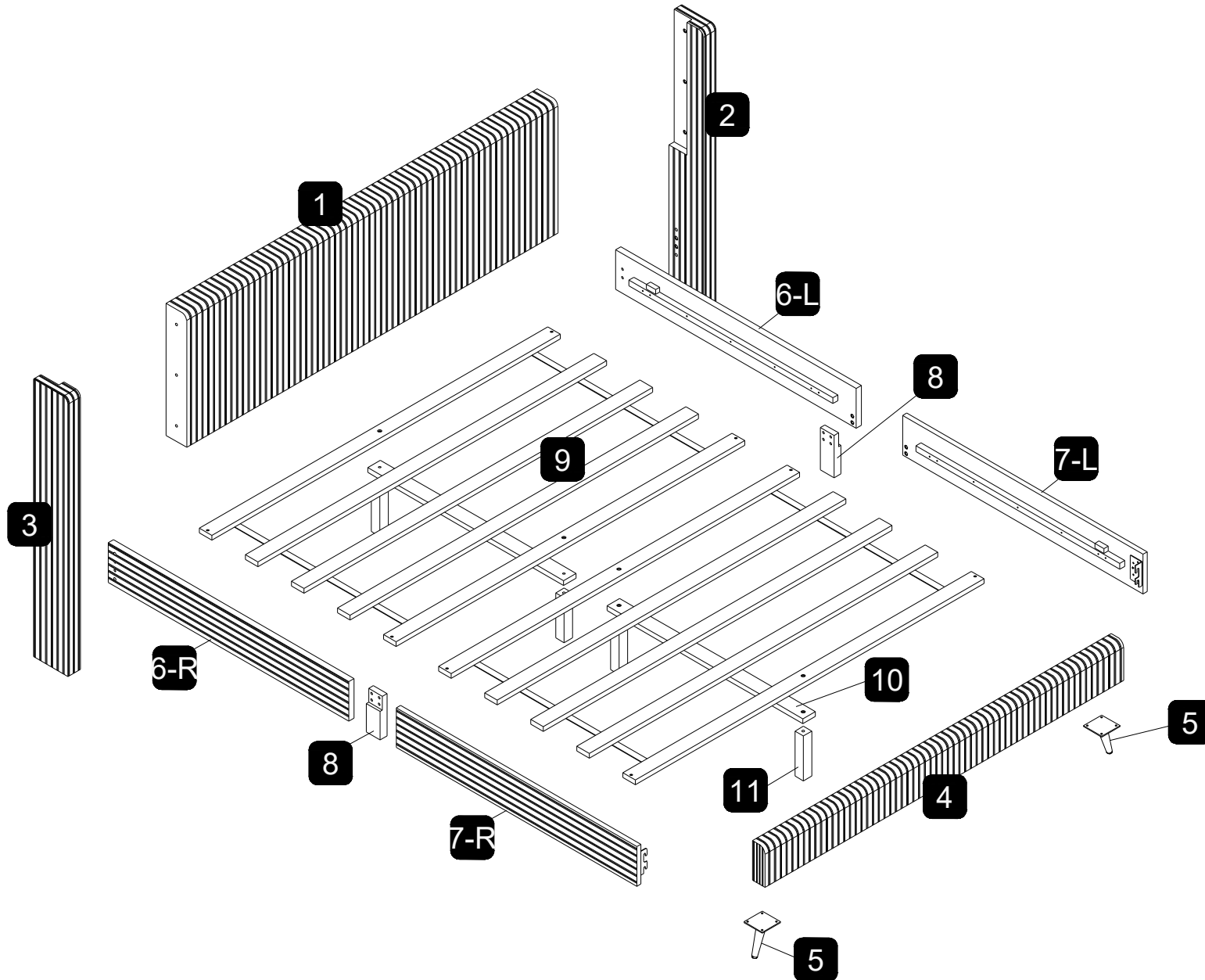


ASSEMBLY INSTRUCTION

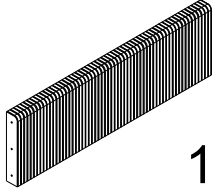
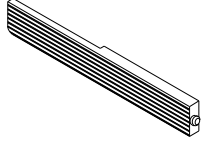
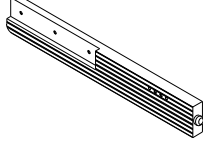
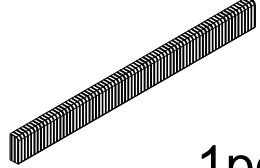
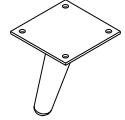
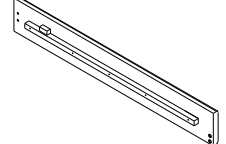
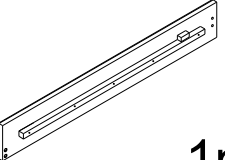
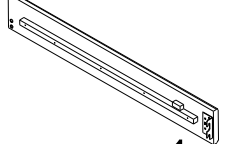
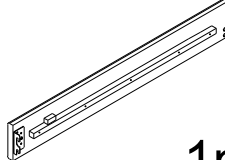
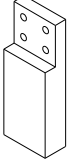
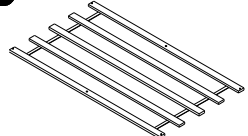
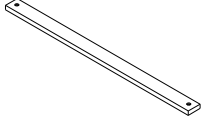
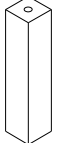
WF300238AA




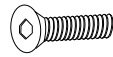
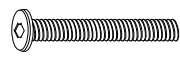
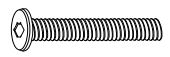


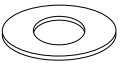


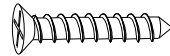
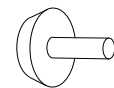
DETAILS VIEW



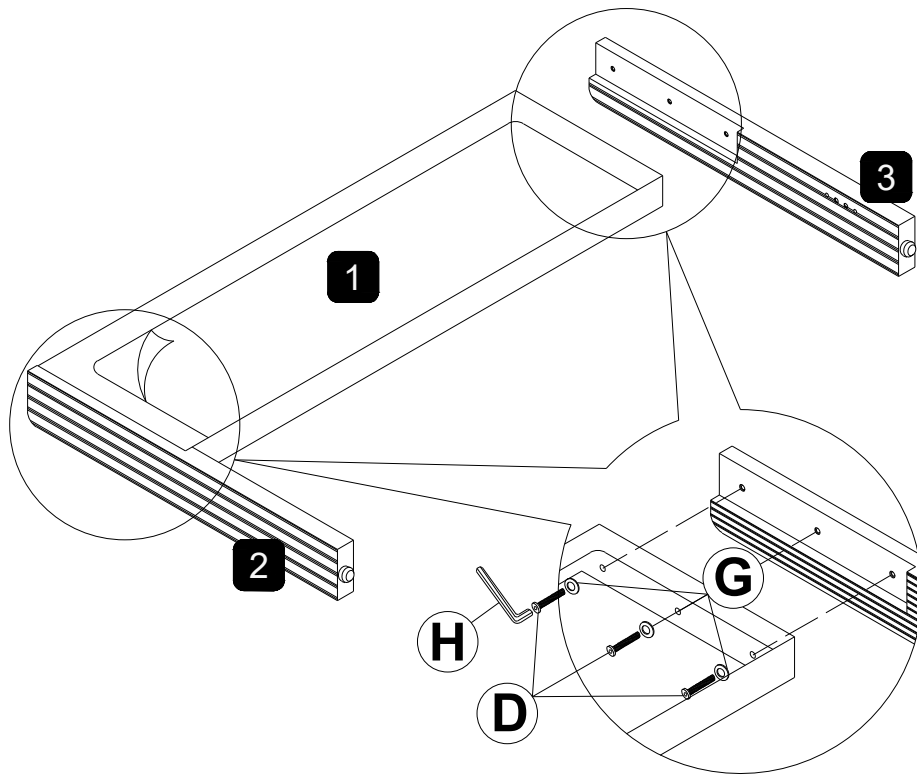
PART LIST

1 Headboard  1pc	2 Headboard Post (Left)  1pc	3 Headboard Post (Right)  1pc	4 Footboard  1pc	5 Footboard Leg  2pcs	6-L Side Rail Left (Rear)  1pc
6-R Side Rail Right (Rear)  1pc	7-L Side Rail Left (Front)  1pc	7-R Side Rail Right (Front)  1pc	8 Side Rail Leg  2pcs	9 Slat  10pcs	10 Center Support  2pcs
11 Support Leg  4pcs					

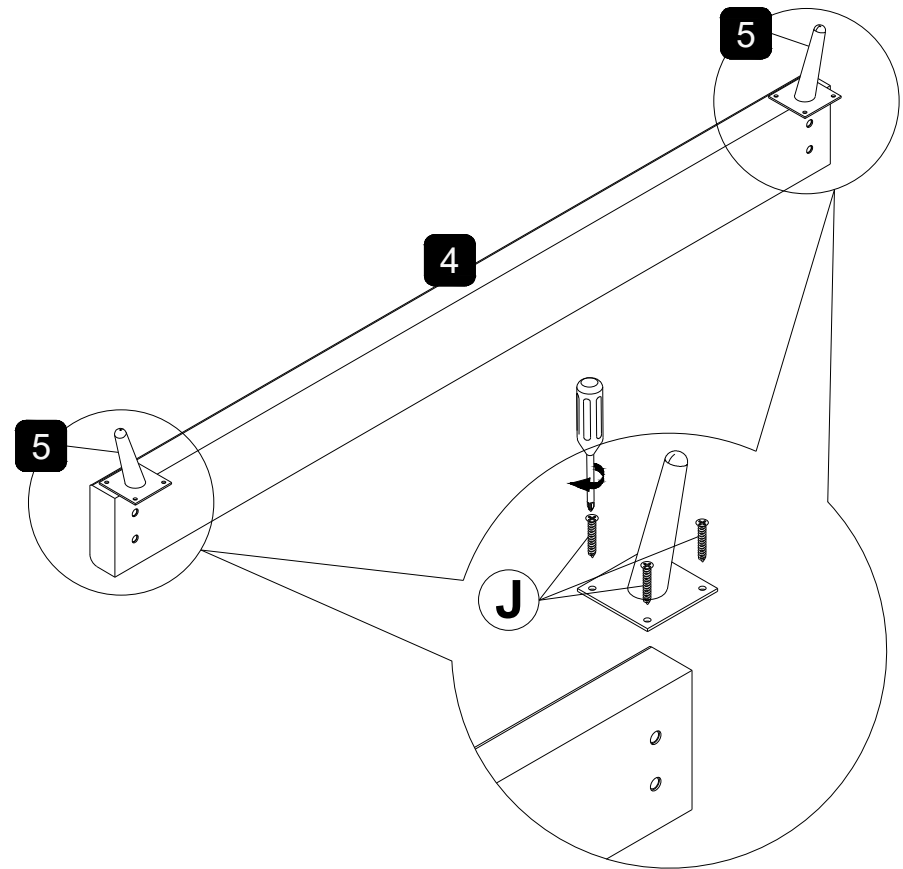
HARDWARE LIST

A M8*50MM JCBB  4pcs	B M8*20MM JCBB  4pcs	C M6*50MM JCBC  4pcs	D M6*40MM JCBC  6pcs	E M6*30MM JCBC  8pcs	F WOOD DOWEL M10*30MM  4pcs
G FLAT WASHER 22 5/6  10pcs	H ALLEN KEY M4  1pc	I ALLEN KEY M5  1pc	J SCREW M4*25MM  14pcs	K ADJUSTER  6pcs	

STEP 1



STEP 2



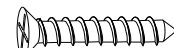
D X 6pcs



G X 6pcs



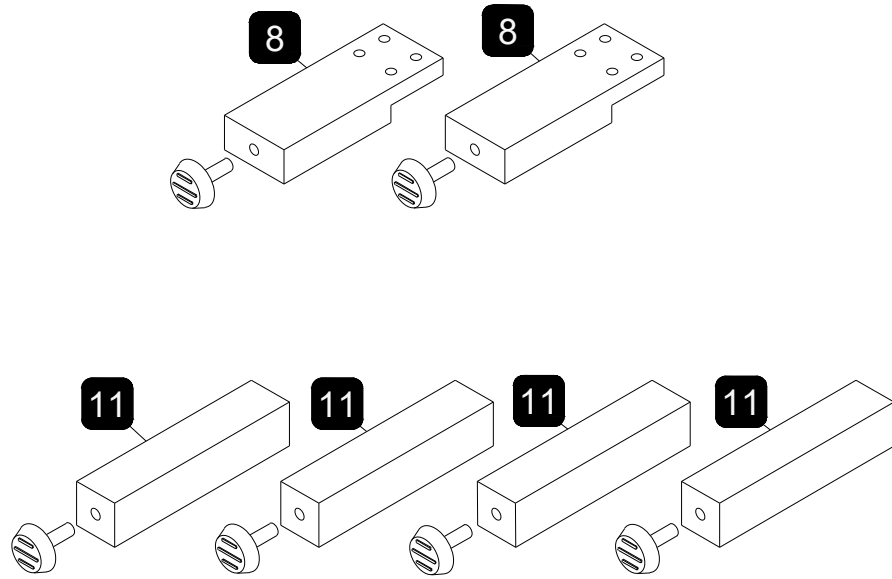
H X 1pc



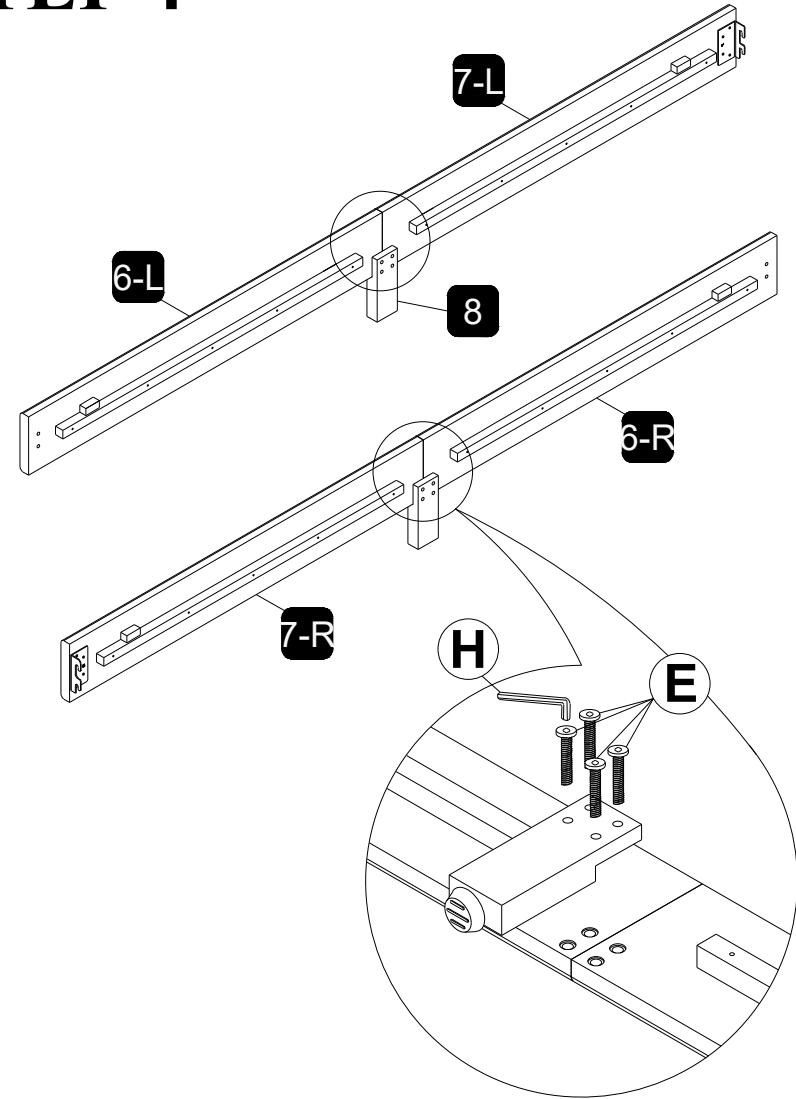
J X 6pcs





STEP 3




STEP 4

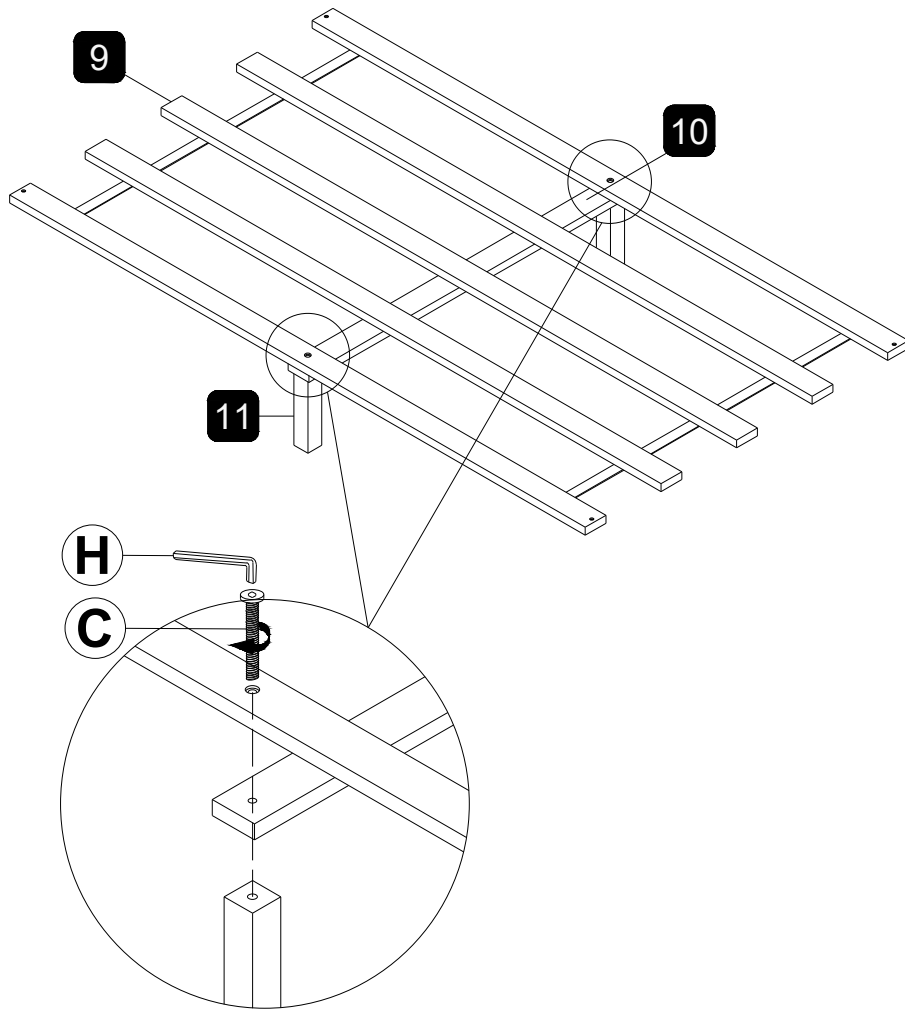



K X 6pcs

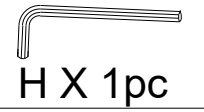
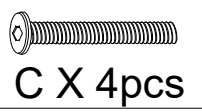
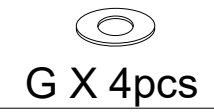
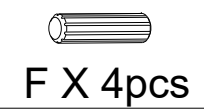
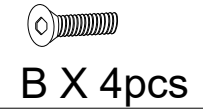
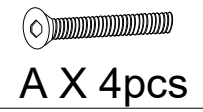
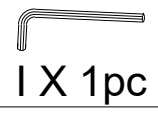
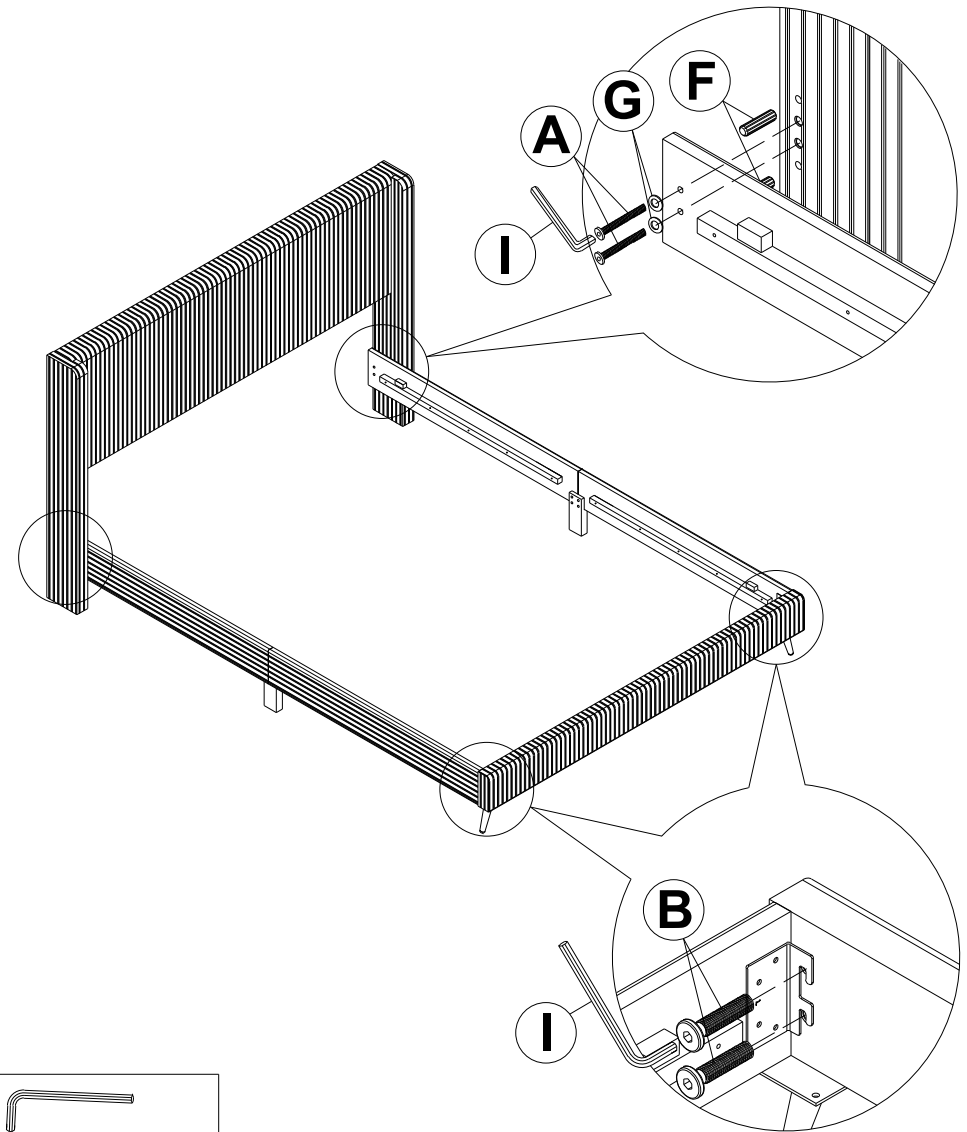

E X 8pcs


H X 1pc

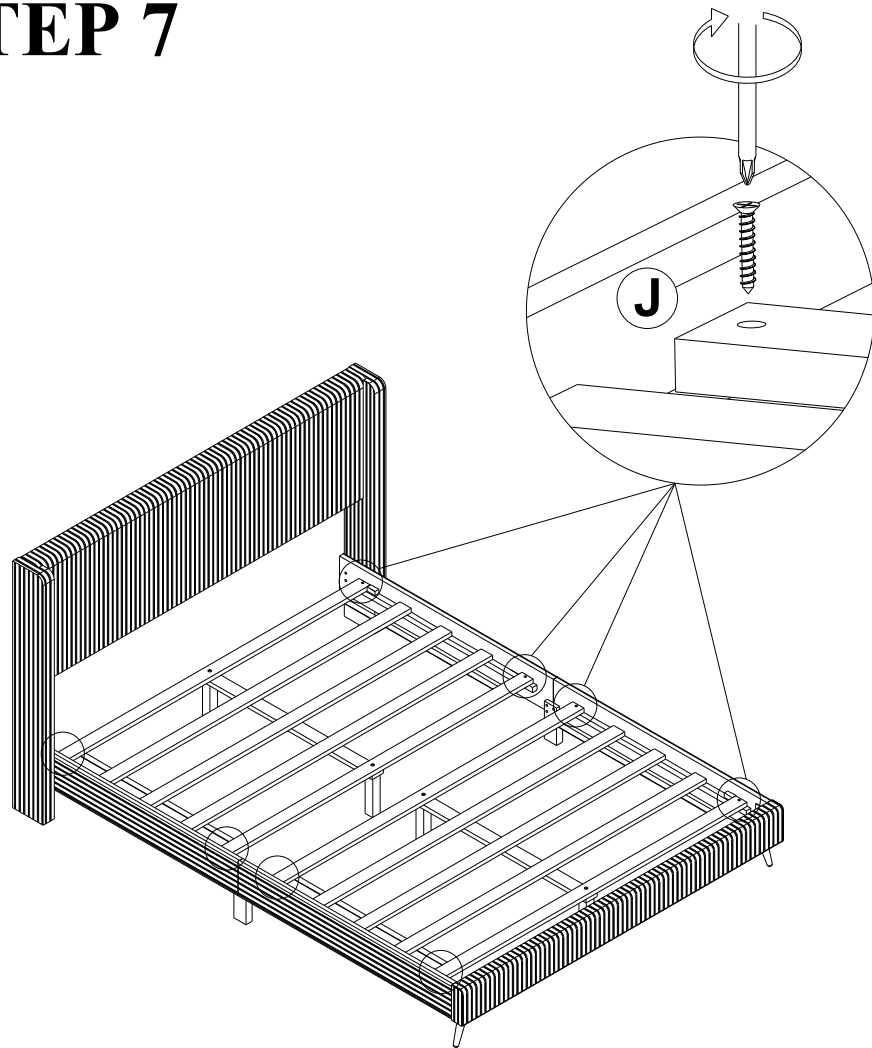
STEP 5



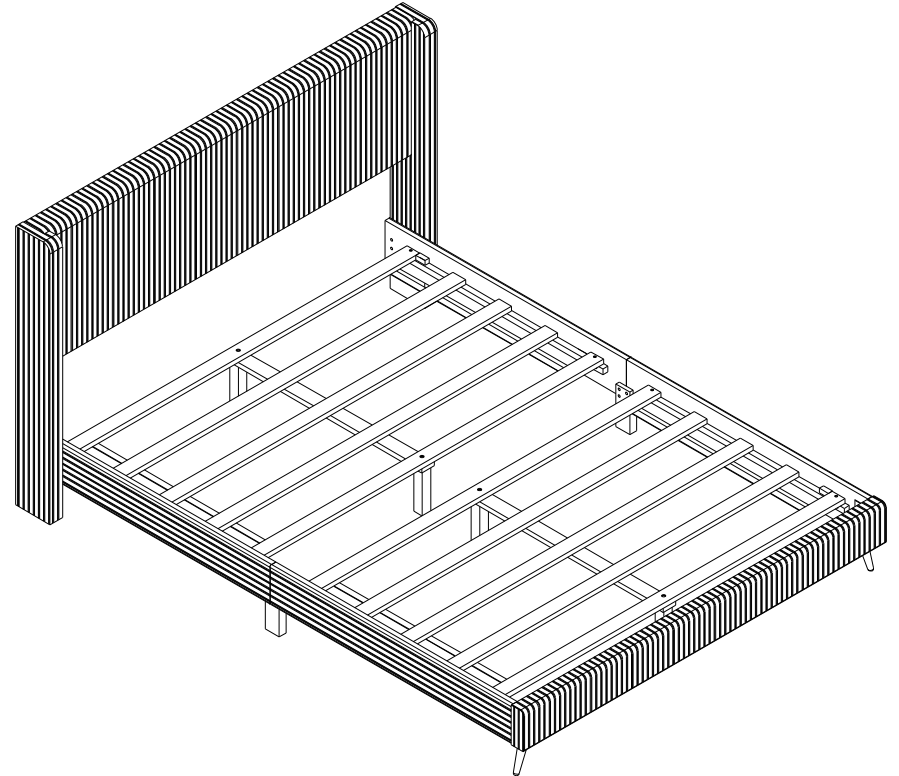
STEP 6




STEP 7



COMPLETED ASSEMBLY




J X 8pcs

