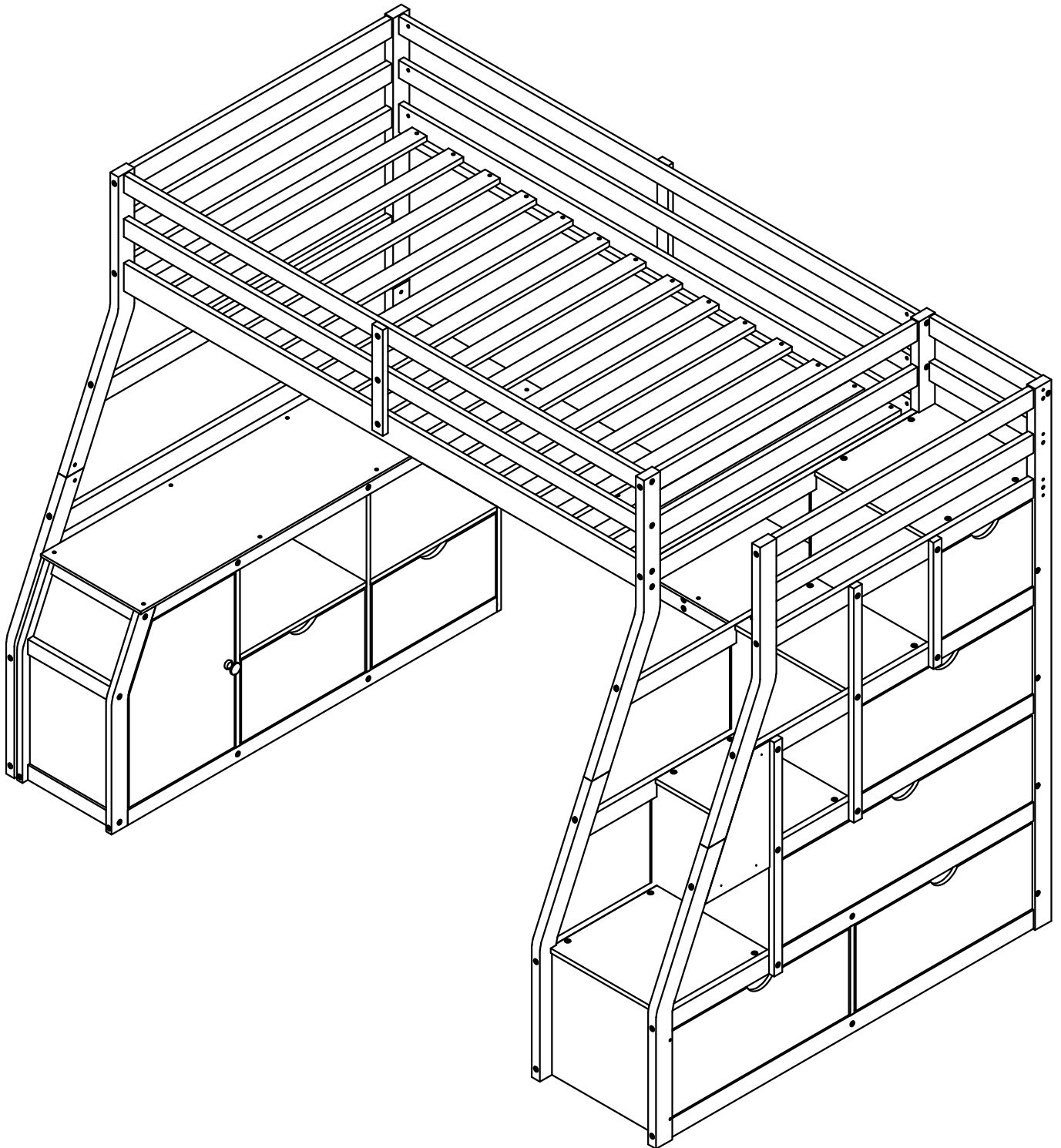


ASSEMBLY INSTRUCTION

SKU CODE: (WF297717-WF297718-WF297719)

This set is included 3 boxes if don't receive full 3 boxes please contact our customer service team



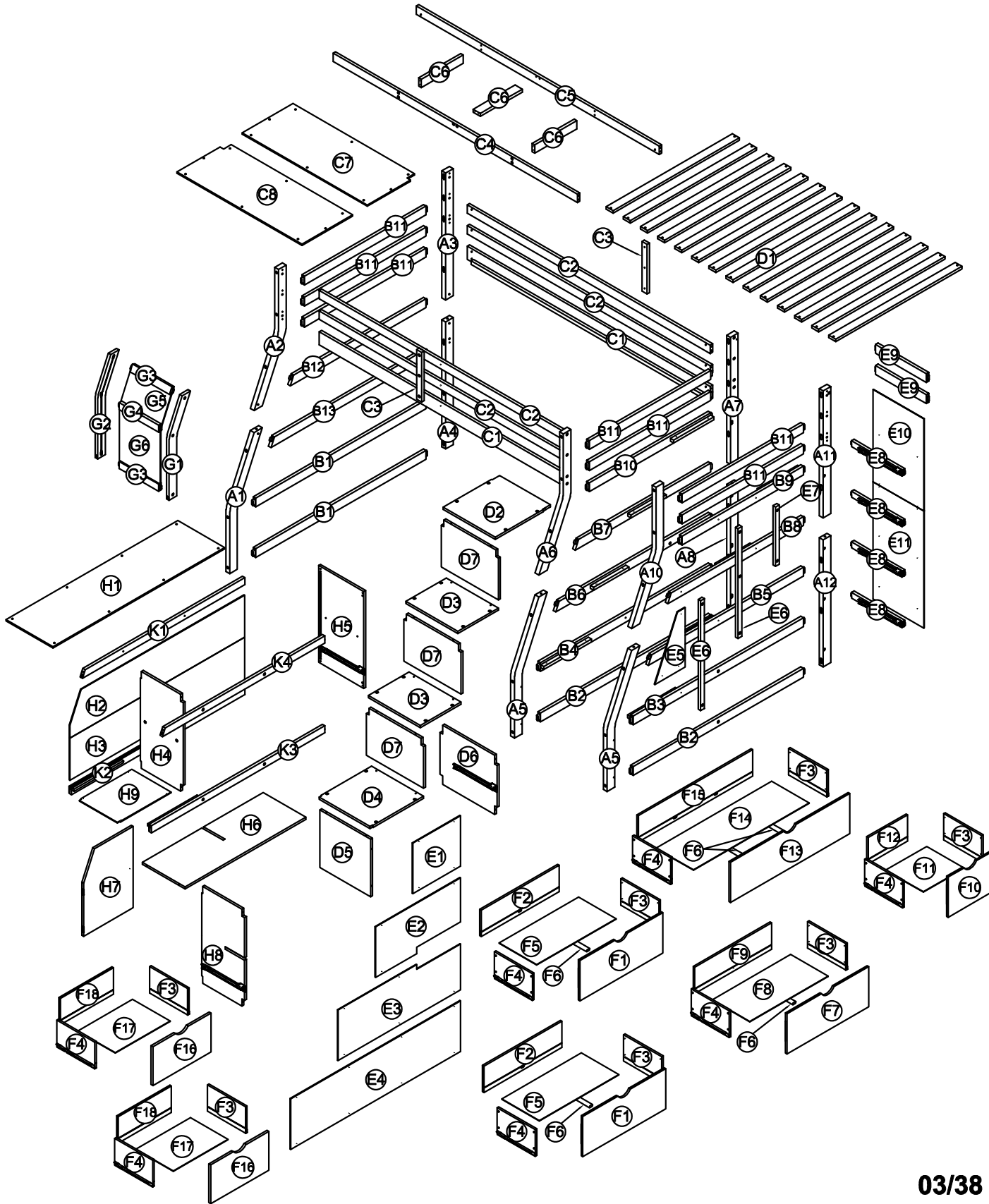
! SAFETY WARNINGS !

1. This bed is designed for use only mattress (es) meeting the following specifications on the upper bunk, and lower bunk



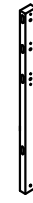








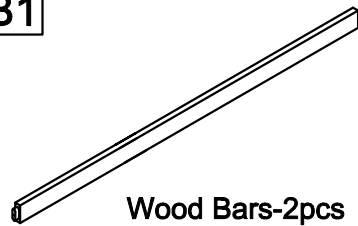
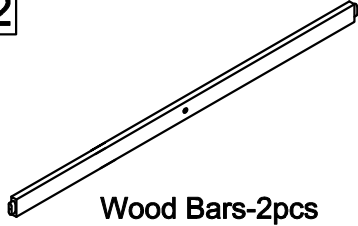

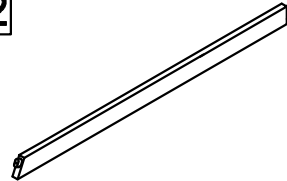
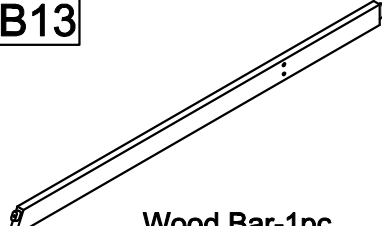
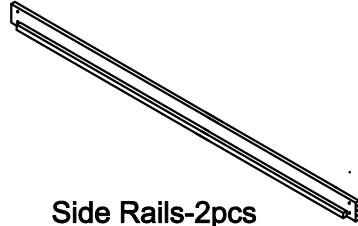
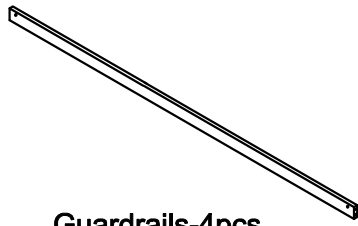

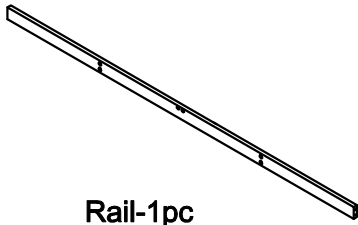
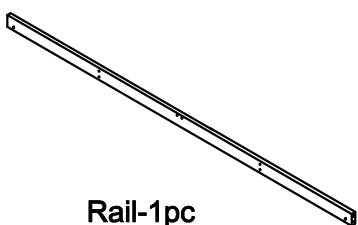
Upper bed Bed Type	Length	Width	Thickness
<i>Twin Standard</i>	<i>74" - 75"</i>	<i>38 1/2"</i>	<i>6" max</i>

2. Replacement parts, including additional guardrails, maybe obtained from any of our (GIGACLOUD TECHNOLOGY (USA) INC. 18961 ARENTH AVENUE CITY OF INDUSTRY, CA, 91748) dealers
3. Follow the information on the warnings appearing on the upper bunk bed end structure and on the carton. Do not remove warning label from bed
4. Always use the recommended size mattresses or mattress supports, or both, to help prevent the likelihood of entrapment or falls.
5. Surface of mattress must be at least 5" (127mm) below the upper edge of guardrails
6. Do not allow children under 6 years of age to use the upper bunk.
7. Periodically check and ensure that the guardrail, ladder, and other components are in their proper position, free from damage, and that all connectors are tight.
8. Do not allow horseplay on or under the bed and prohibit jumping on the bed.
9. Always use the ladder for entering and leaving the upper bunkAlways use the ladder for entering and leaving the upper bunk.
10. Do not use substitute part. Contact the manufacture or dealer for replacement part
11. Use of a night light may provide added safety precaution for a child using the upper bunk..
12. Always use guardrails on both long sides of the upper bunk. If the bunk bed will be placed next to the wall, the guardrail that runs the full length of the bed should be placed against the wall to prevent entrapment between the bed and wall.
13. The use of water or sleep flotation mattresses is prohibited
14. STRANGULATION HAZARD - Never attach or hang items to any part of the bunk bed that are not designed for use with the bed; for example, but not limited to, hook, belts and jump ropes
15. Keep these instruction for future reference
16. Prohibit more than one person on upper bunk
17. We recommend assembling your bunk bed on the shipping carton to protect your floor or carpet
18. Be certain all staples are out of the box before beginning assembly on the shipping carton.

ASSEMBLY INSTRUCTION

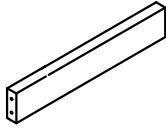


Part List (Box 1-WF297717)

<p>A1</p>  <p>Leg-1pc</p>	<p>A2</p>  <p>Leg-1pc</p>	<p>A3</p>  <p>Leg-1pc</p>
<p>A4</p>  <p>Leg-1pc</p>	<p>A5</p>  <p>Legs-2pcs</p>	<p>A6</p>  <p>Leg-1pc</p>
<p>A7</p>  <p>Leg-1pc</p>	<p>A8</p>  <p>Leg-1pc</p>	<p>A10</p>  <p>Leg-1pc</p>
<p>A11</p>  <p>Leg-1pc</p>	<p>A12</p>  <p>Leg-1pc</p>	<p>B1</p>  <p>Wood Bars-2pcs</p>
<p>B2</p>  <p>Wood Bars-2pcs</p>	<p>B11</p>  <p>Wood Bars-7pcs</p>	<p>B12</p>  <p>Wood Bar-1pc</p>
<p>B13</p>  <p>Wood Bar-1pc</p>	<p>C1</p>  <p>Side Rails-2pcs</p>	<p>C2</p>  <p>Guardrails-4pcs</p>
<p>C3</p>  <p>Rails-2pcs</p>	<p>C4</p>  <p>Rail-1pc</p>	<p>C5</p>  <p>Rail-1pc</p>

Part List (Box 1-WF297717)

C6



Rails-3pcs

E6



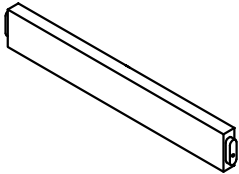
Vertical Bars-2pcs

E7




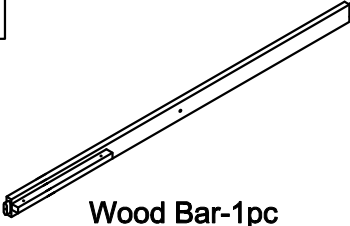
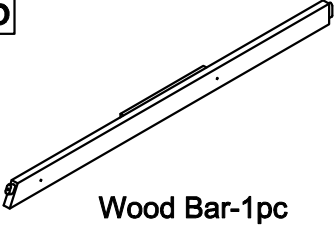
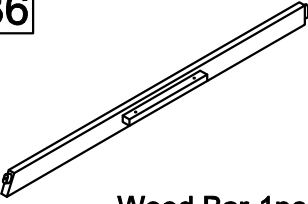
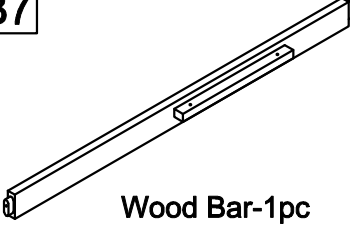
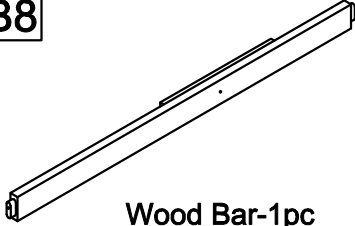
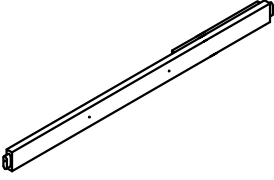
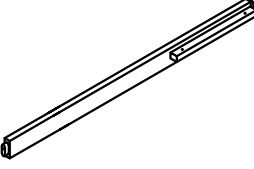

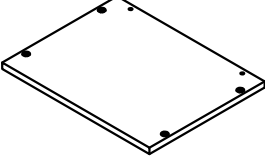
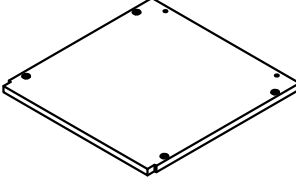
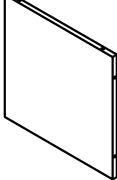
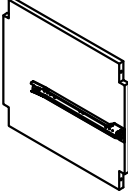
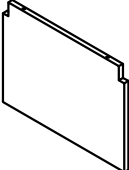
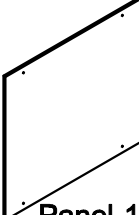
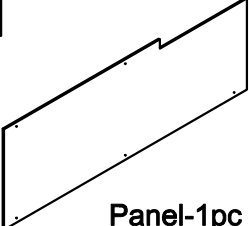
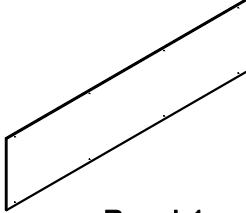

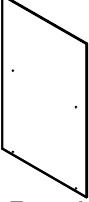
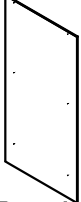

Vertical Bar-1pc

E9


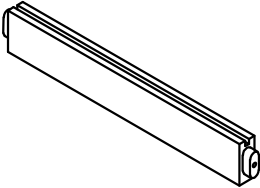
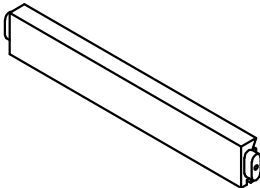
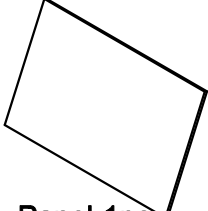
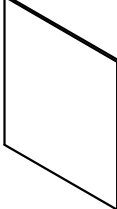
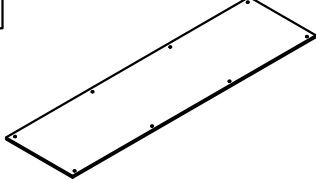
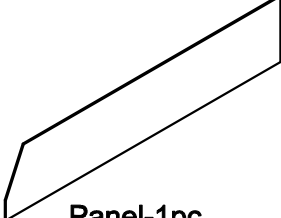
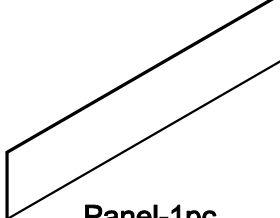
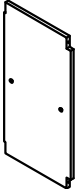

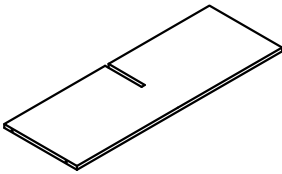
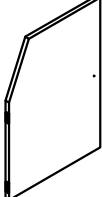
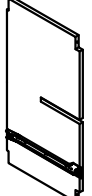
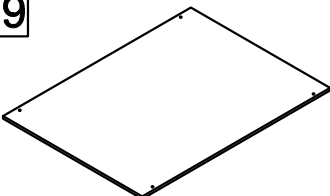
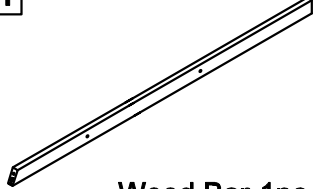

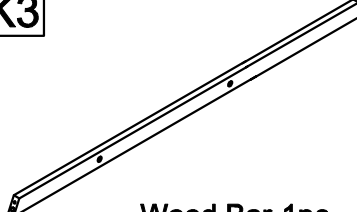
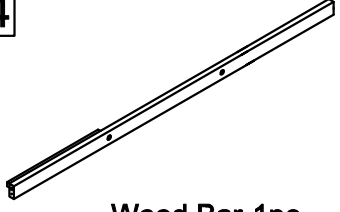


Horizontal Bars-2pcs

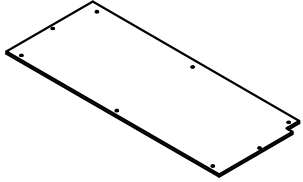
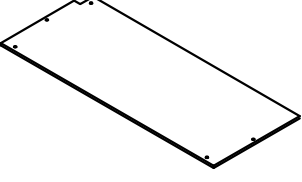
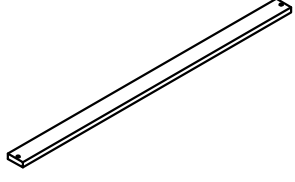
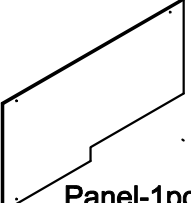
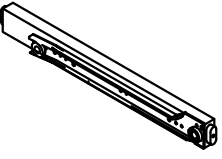
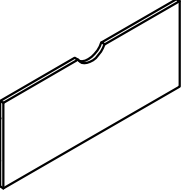
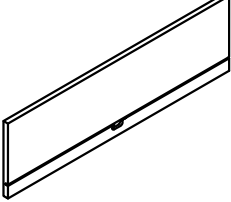
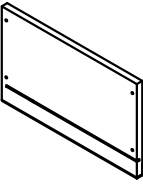
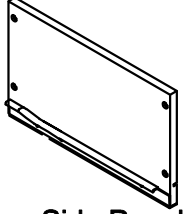
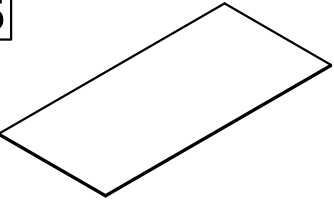
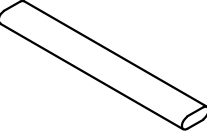
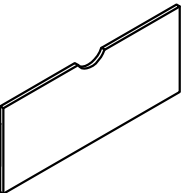
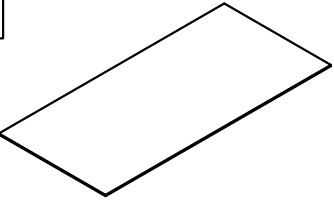
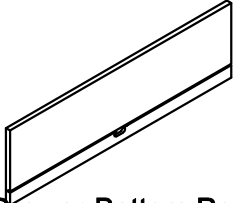
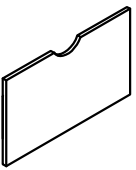
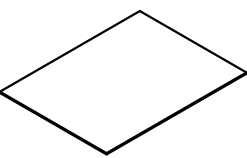
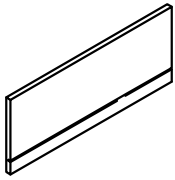
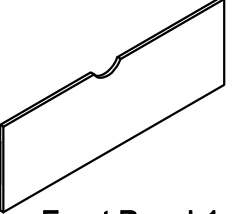
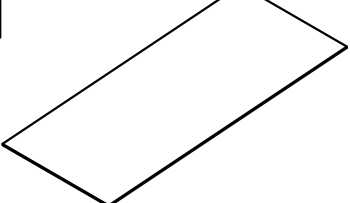
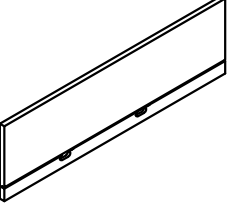
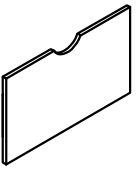
Part List (Box 2-WF297718)

<p>B3</p>  <p>Wood Bar-1pc</p>	<p>B4</p>  <p>Wood Bar-1pc</p>	<p>B5</p>  <p>Wood Bar-1pc</p>
<p>B6</p>  <p>Wood Bar-1pc</p>	<p>B7</p>  <p>Wood Bar-1pc</p>	<p>B8</p>  <p>Wood Bar-1pc</p>
<p>B9</p>  <p>Wood Bar-1pc</p>	<p>B10</p>  <p>Wood Bar-1pc</p>	<p>D2</p>  <p>Panel-1pc</p>
<p>D3</p>  <p>Panels-2pcs</p>	<p>D4</p>  <p>Panel-1pc</p>	<p>D5</p>  <p>Panel-1pc</p>
<p>D6</p>  <p>Panel-1pc</p>	<p>D7</p>  <p>Panels-3pcs</p>	<p>E1</p>  <p>Panel-1pc</p>
<p>E3</p>  <p>Panel-1pc</p>	<p>E4</p>  <p>Panel-1pc</p>	<p>E5</p>  <p>Panel-1pc</p>
<p>E10</p>  <p>Back Panel-1pc</p>	<p>E11</p>  <p>Back Panel-1pc</p>	<p>G1</p>  <p>Leg-1pc</p>

Part List (Box 2-WF297718)

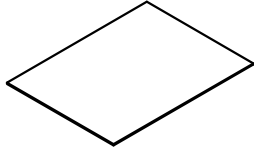
<p>G2</p>  <p>Leg-1pc</p>	<p>G3</p>  <p>Horizontal Bars-2pcs</p>	<p>G4</p>  <p>Horizontal Bar-1pc</p>
<p>G5</p>  <p>Panel-1pc</p>	<p>G6</p>  <p>Panel-1pc</p>	<p>H1</p>  <p>Panel-1pc</p>
<p>H2</p>  <p>Panel-1pc</p>	<p>H3</p>  <p>Panel-1pc</p>	<p>H4</p>  <p>Panel-1pc</p>
<p>H5</p>  <p>Panel-1pc</p>	<p>H6</p>  <p>Panel-1pc</p>	<p>H7</p>  <p>Panel-1pc</p>
<p>H8</p>  <p>Panel-1pc</p>	<p>H9</p>  <p>Panel-1pc</p>	<p>K1</p>  <p>Wood Bar-1pc</p>
<p>K2</p>  <p>Wood Bar-1pc</p>	<p>K3</p>  <p>Wood Bar-1pc</p>	<p>K4</p>  <p>Wood Bar-1pc</p>

Part List & Hardware List (Box 3-WF297719)

<p>C7</p>  <p>Panel-1pc</p>	<p>C8</p>  <p>Panel-1pc</p>	<p>D1</p>  <p>Slats-14pcs</p>
<p>E2</p>  <p>Panel-1pc</p>	<p>E8</p>  <p>Horizontal Bars-4pcs</p>	<p>F1</p>  <p>Drawer-Front Panels-2pcs</p>
<p>F2</p>  <p>Drawer-Back Panels-2pcs</p>	<p>F3</p>  <p>Drawer-Side Panels-7pcs</p>	<p>F4</p>  <p>Drawer-Side Panels-7pcs</p>
<p>F5</p>  <p>Drawer-Bottom Panels-2pcs</p>	<p>F6</p>  <p>Drawer-Support Bottom Panels-5pcs</p>	<p>F7</p>  <p>Drawer-Front Panel-1pc</p>
<p>F8</p>  <p>Drawer-Back Panel-1pc</p>	<p>F9</p>  <p>Drawer-Bottom Panel-1pc</p>	<p>F10</p>  <p>Drawer-Front Panel-1pc</p>
<p>F11</p>  <p>Drawer-Back Panel-1pc</p>	<p>F12</p>  <p>Drawer-Bottom Panel-1pc</p>	<p>F13</p>  <p>Drawer-Front Panel-1pc</p>
<p>F14</p>  <p>Drawer-Back Panel-1pc</p>	<p>F15</p>  <p>Drawer-Bottom Panel-1pc</p>	<p>F16</p>  <p>Drawer-Front Panels-2pcs</p>

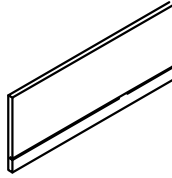
Part List & Hardware List (Box 3-WF297719)

F17




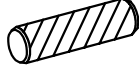


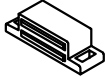

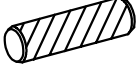


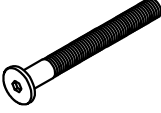


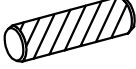
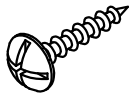






Drawer-Back Panels-2pcs

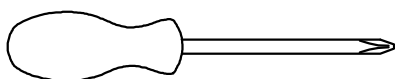
F18



Drawer-Bottom Panels-2pcs

Hardware List (Box 3-WF297719)

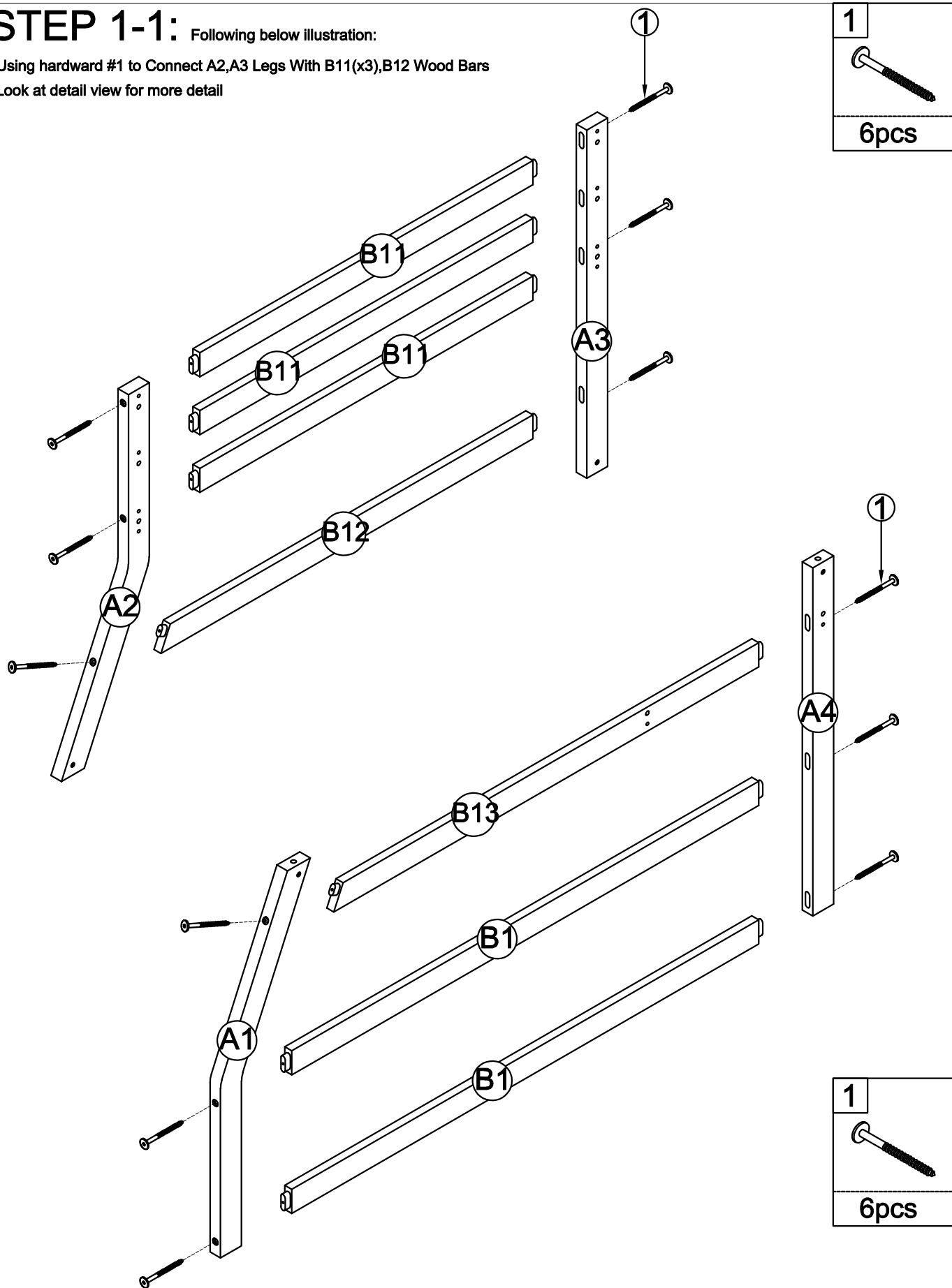
<p>1</p>  <p>Screws 1/4"x80mm 40pcs</p>	<p>2</p>  <p>Ø12 x 70 mm Wood dowel 6pcs</p>	<p>3</p>  <p>M4 x 20 mm Wood Screws 36pcs</p>
<p>4</p>  <p>Screws 1/4"x30mm 30pcs</p>	<p>5</p>  <p>Door Catches 45x17x13 1pc</p>	<p>6</p>  <p>Screws 1/4"x50mm 26pcs</p>
<p>7</p>  <p>Ø10 x 40 mm Wood dowel 16pcs</p>	<p>8</p>  <p>Ø1/4" x 80 mm Hex-Head bolts 18pcs</p>	<p>9</p>  <p>Ø1/4" x 13 mm Horizontal-Hole bolts 20pcs</p>
<p>10</p>  <p>Ø1/4" x 70 mm Hex-Head bolts 2pcs</p>	<p>11</p>  <p>Ø1/4" x 40 mm Hex-Head bolts 4pcs</p>	<p>12</p>  <p>Ø1/4" x 30 mm Hex-Head bolts 16pcs</p>
<p>13</p>  <p>Ø8 x 30 mm Wood dowel 22pcs</p>	<p>14</p>  <p>M4 x15 mm Wood Screws 43pcs</p>	<p>15</p>  <p>M4 x 30 mm Wood Screws 89pcs</p>
<p>16</p>  <p>Screws 1/4"x40mm 6pcs</p>	<p>17</p>  <p>Ø1/6" x 25 mm Hex-Head bolts 1pc</p>	<p>18</p>  <p>Handle Wood 1pc</p>
<p>19</p>  <p>M3 x 12 mm Wood Screws 6pcs</p>	<p>20</p>  <p>Allen Key 1pc</p>	



Assembly Tools Required (Not Included)

STEP 1-1: Following below illustration:

- Using hardward #1 to Connect A2,A3 Legs With B11(x3),B12 Wood Bars
- Look at detail view for more detail

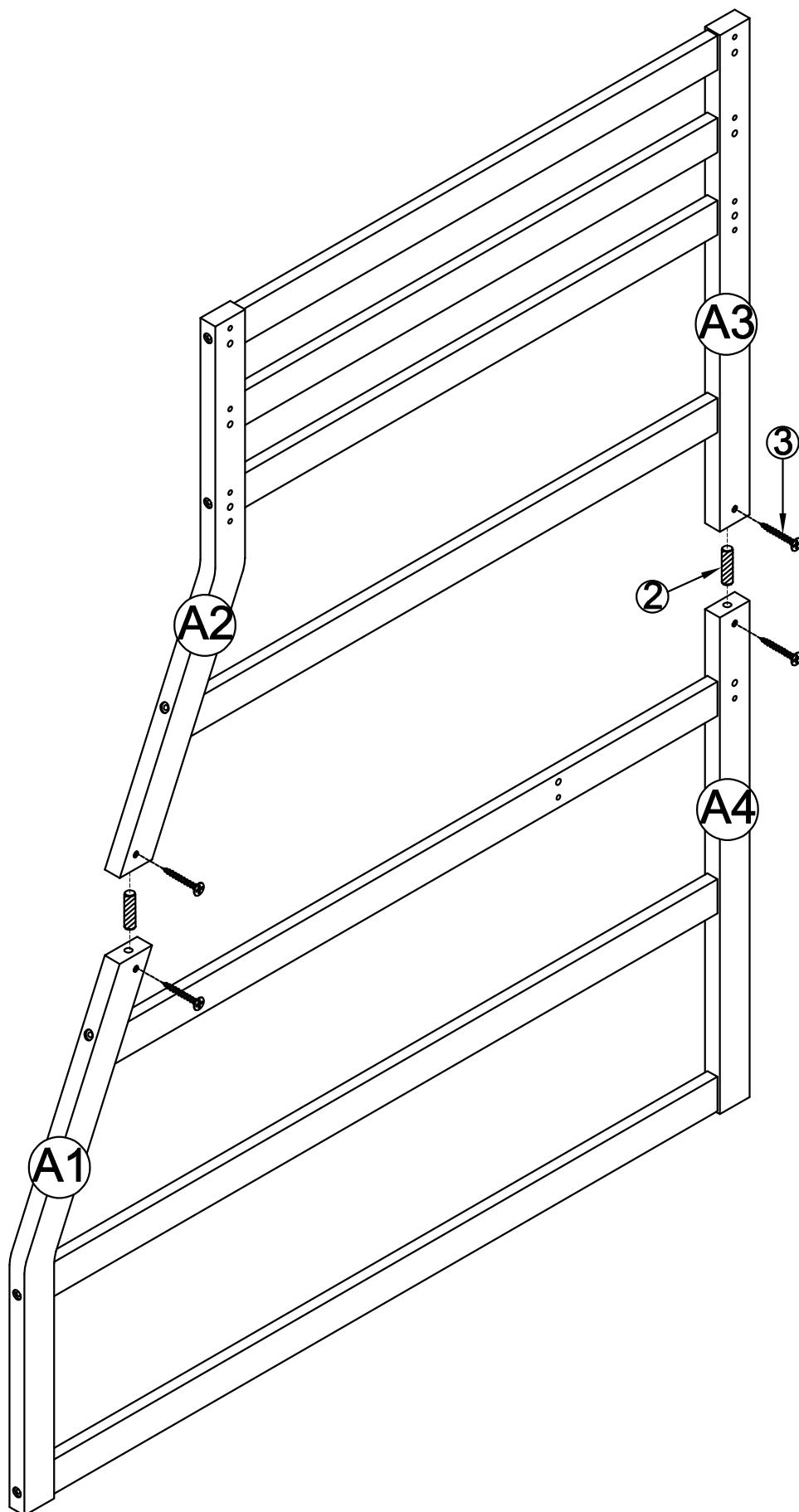


STEP 1-2: Following below illustration:

- Using hardward #1 to Connect A1,A4 Legs With B1(x2),B13 Wood Bars
- Look at detail view for more detail

STEP 1-3: Following below illustration:

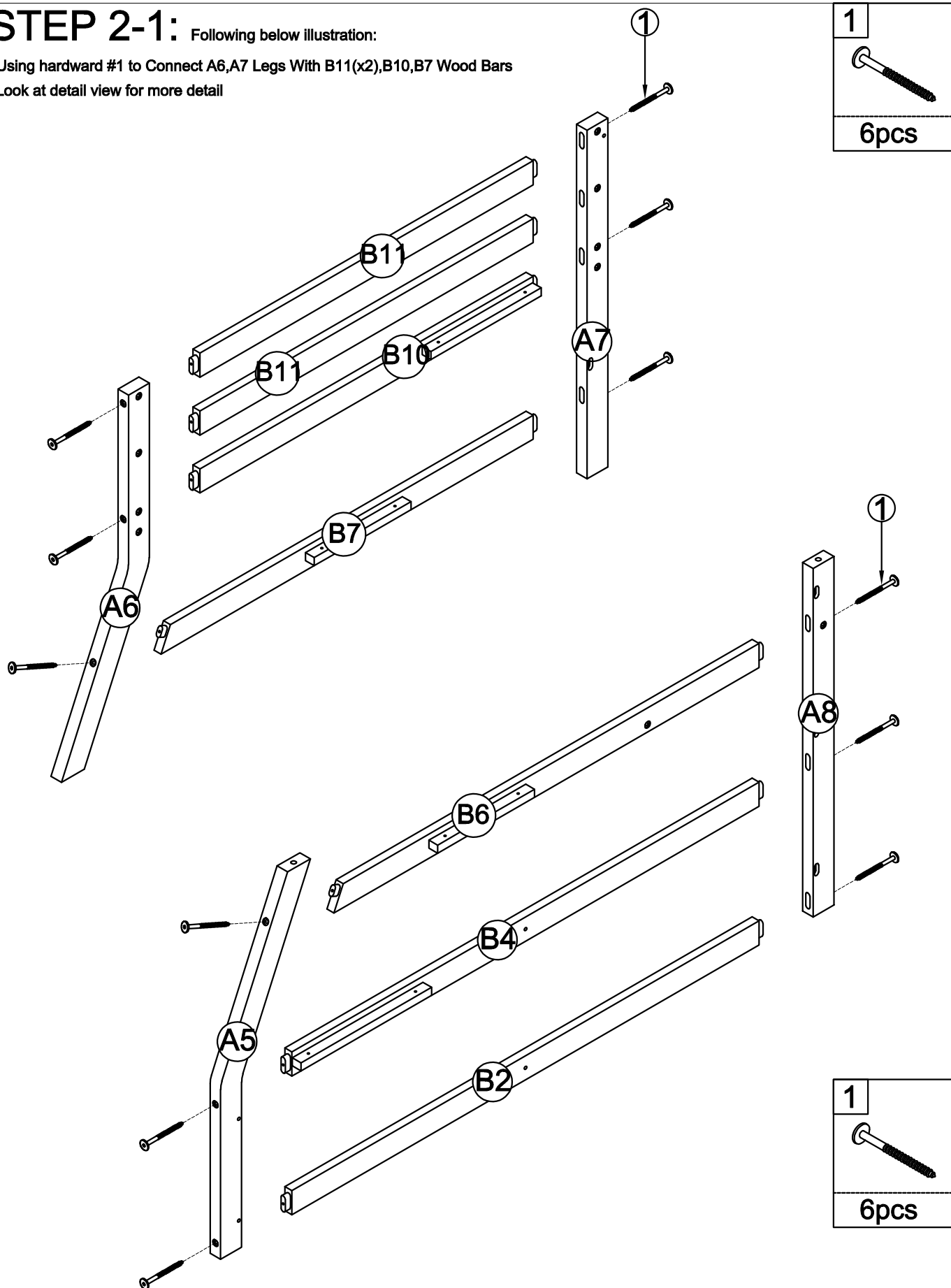
- Using hardware #3 and dowel 2 to Connect Frame(Completed on step 1-1) With Frame(Completed on step 1-2)
- Look at detail view for more detail



3	
4pcs	
2	
2pcs	

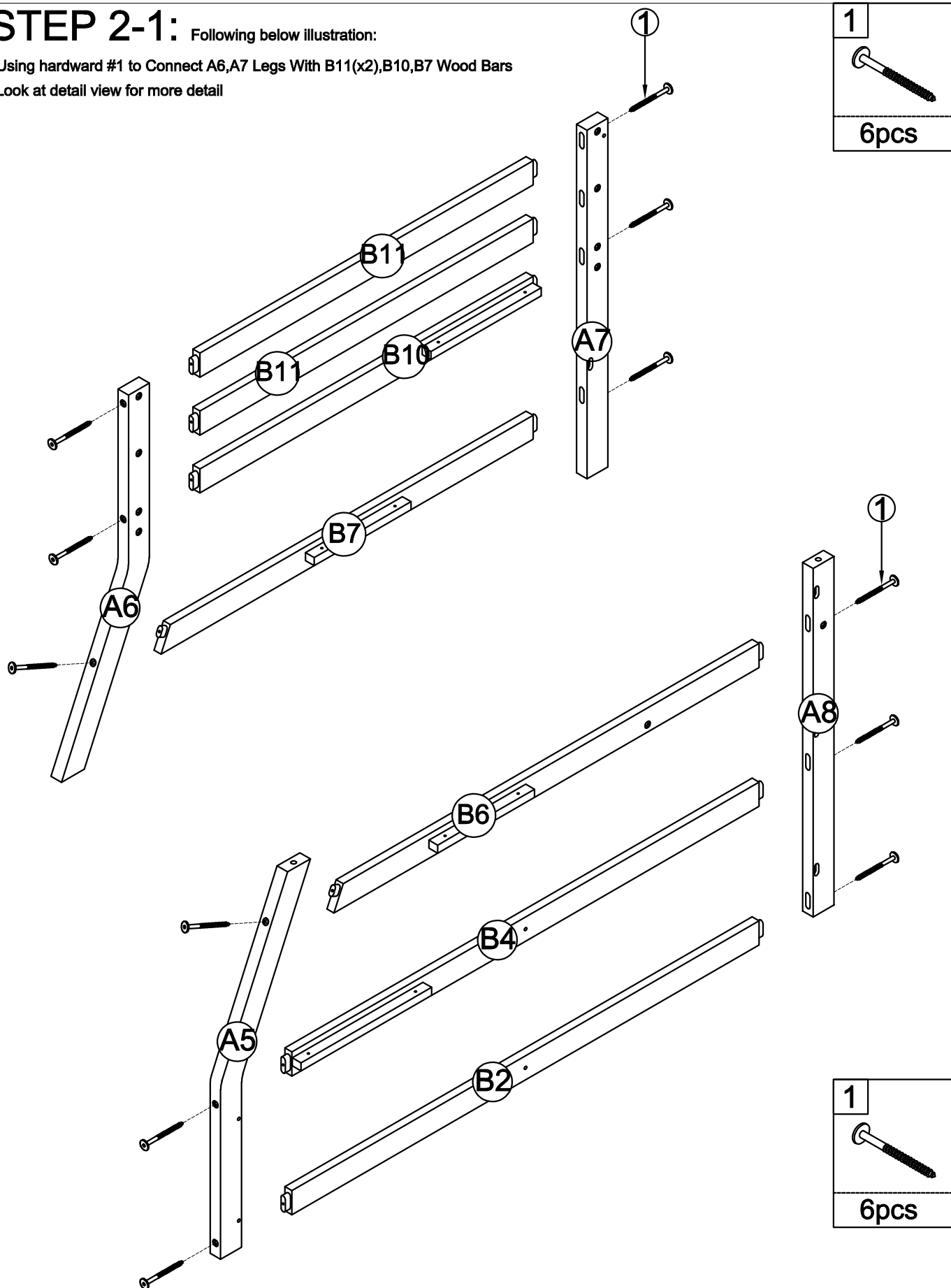
STEP 2-1: Following below illustration:

- Using hardward #1 to Connect A6,A7 Legs With B11(x2),B10,B7 Wood Bars
- Look at detail view for more detail



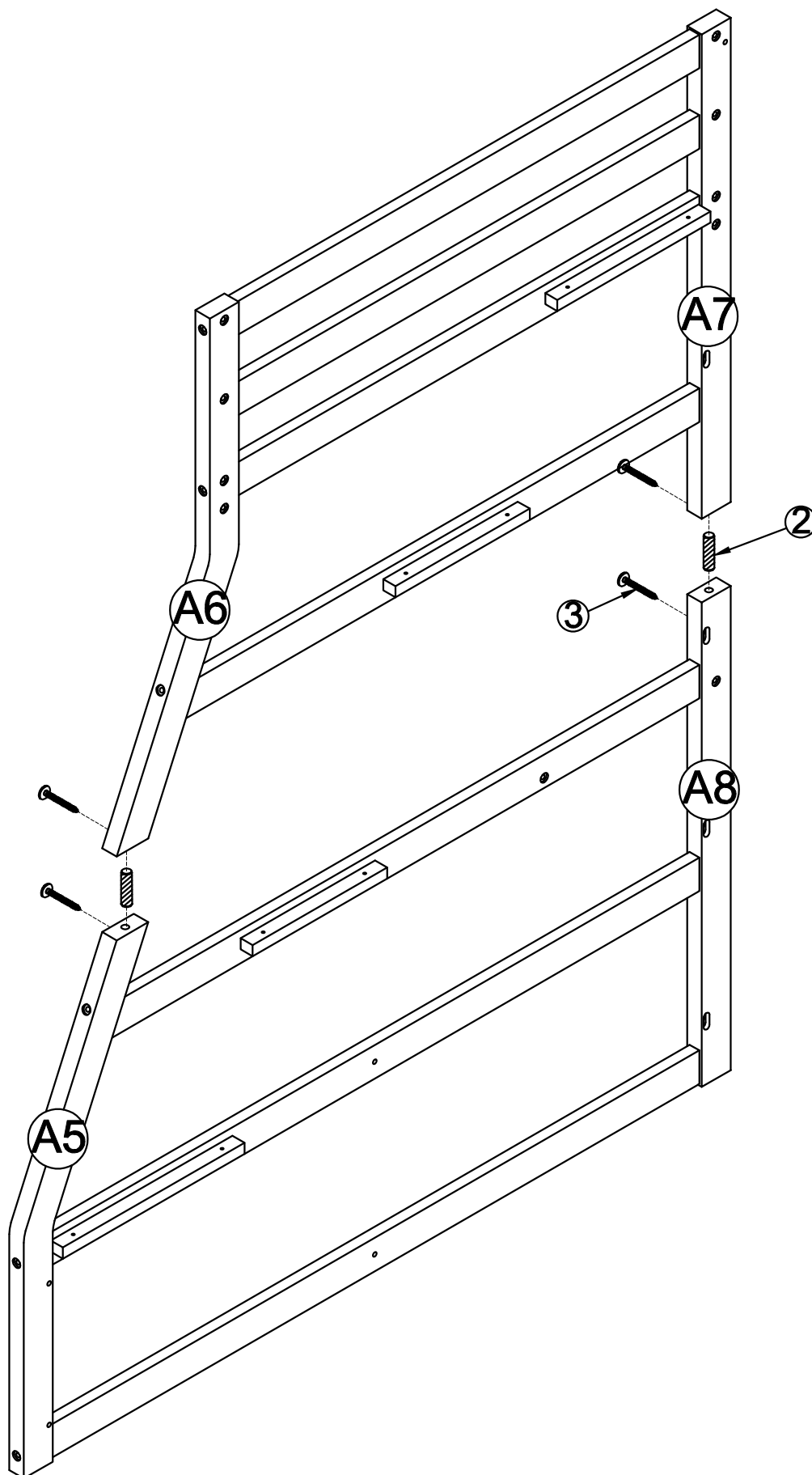
STEP 2-2: Following below illustration:


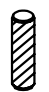
- Using hardward #1 to Connect A5,A8 Legs With B2,B4,B6 Wood Bars
- Look at detail view for more detail



STEP 2-3: Following below illustration:

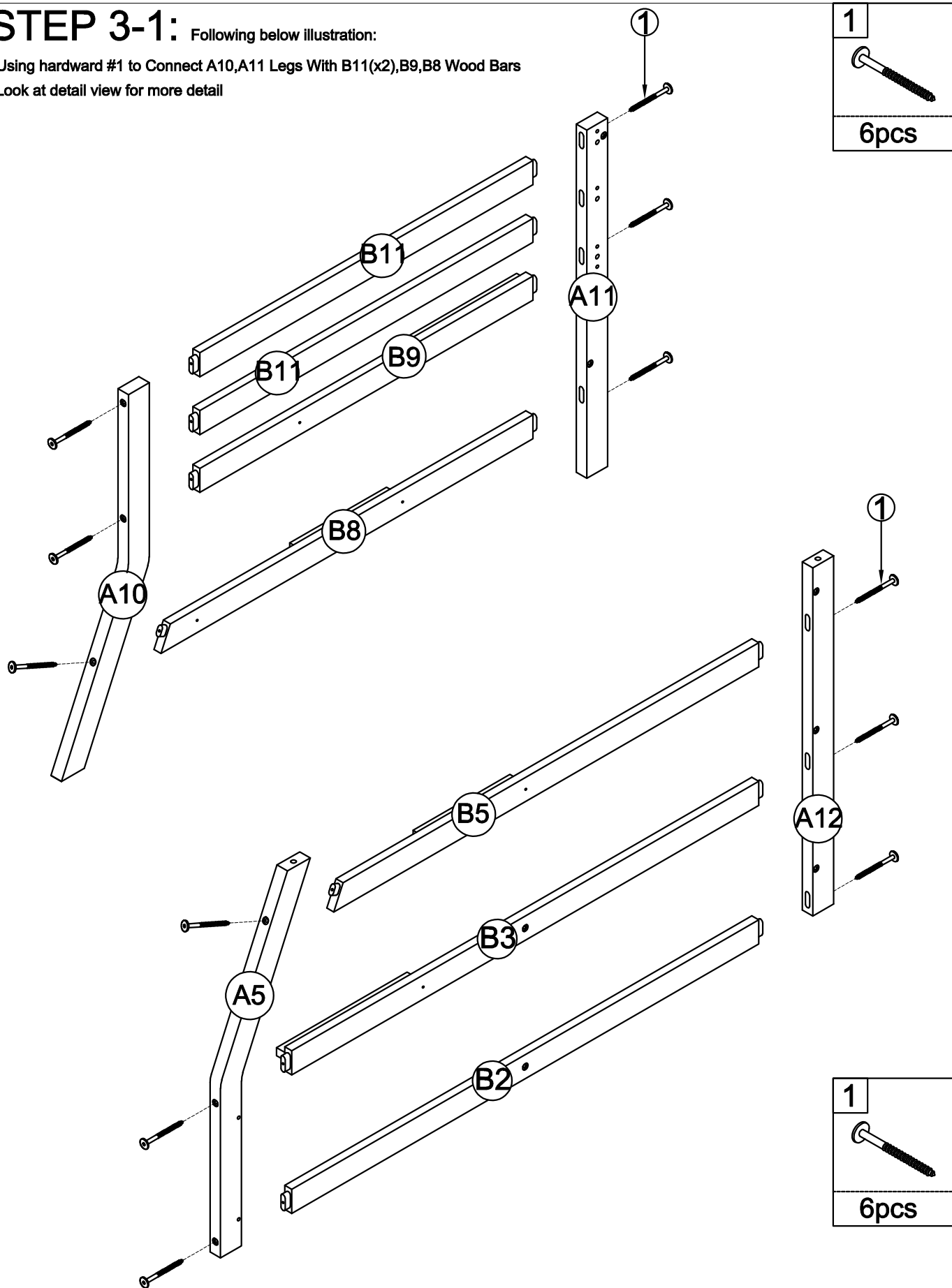
- Using hardward #3 and dowel 2 to Connect Frame(Completed on step 2-1) With Frame(Completed on step 2-2)
- Look at detail view for more detail



3	
4pcs	
2	
2pcs	

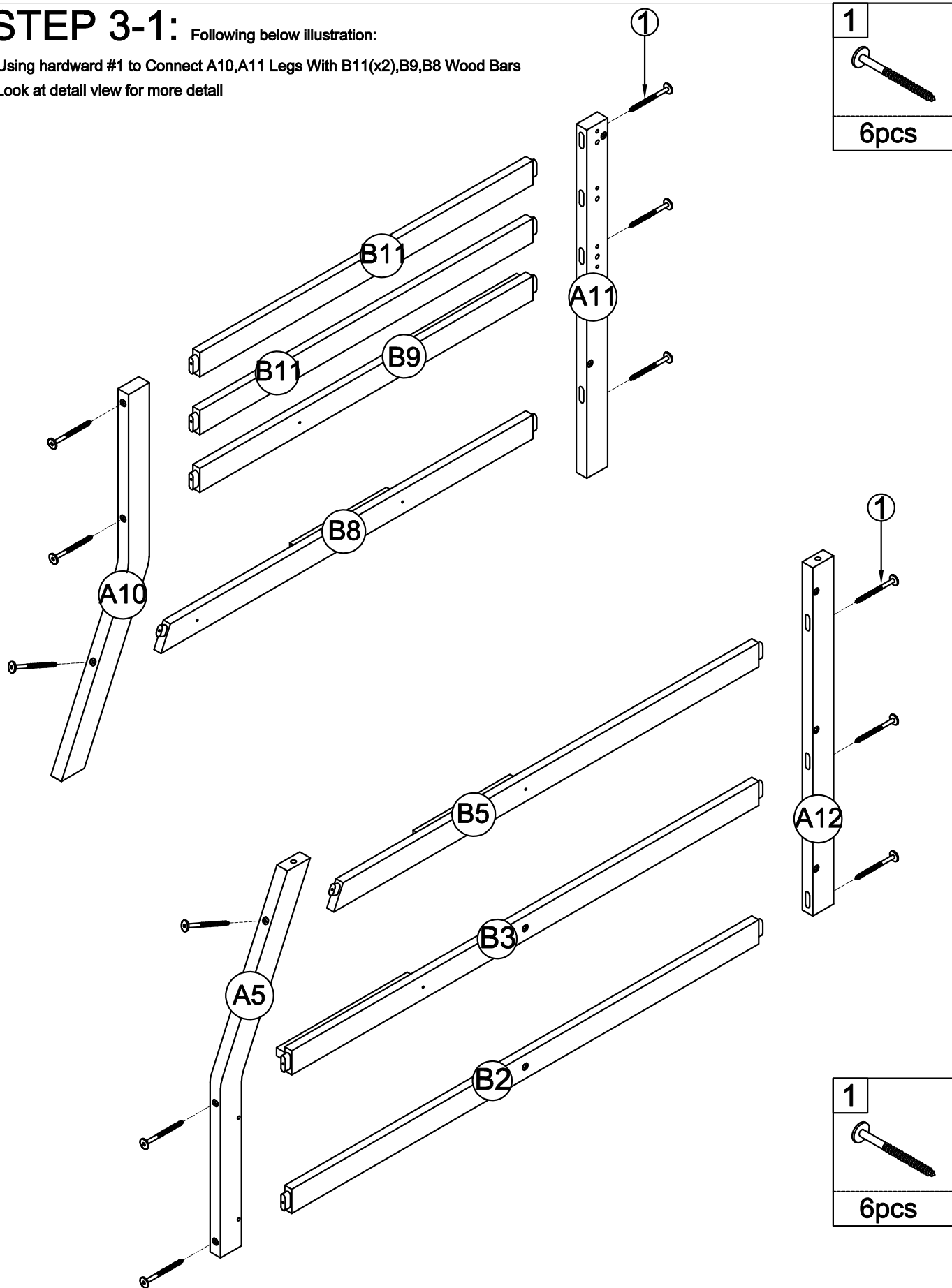
STEP 3-1: Following below illustration:

- Using hardward #1 to Connect A10,A11 Legs With B11(x2),B9,B8 Wood Bars
- Look at detail view for more detail



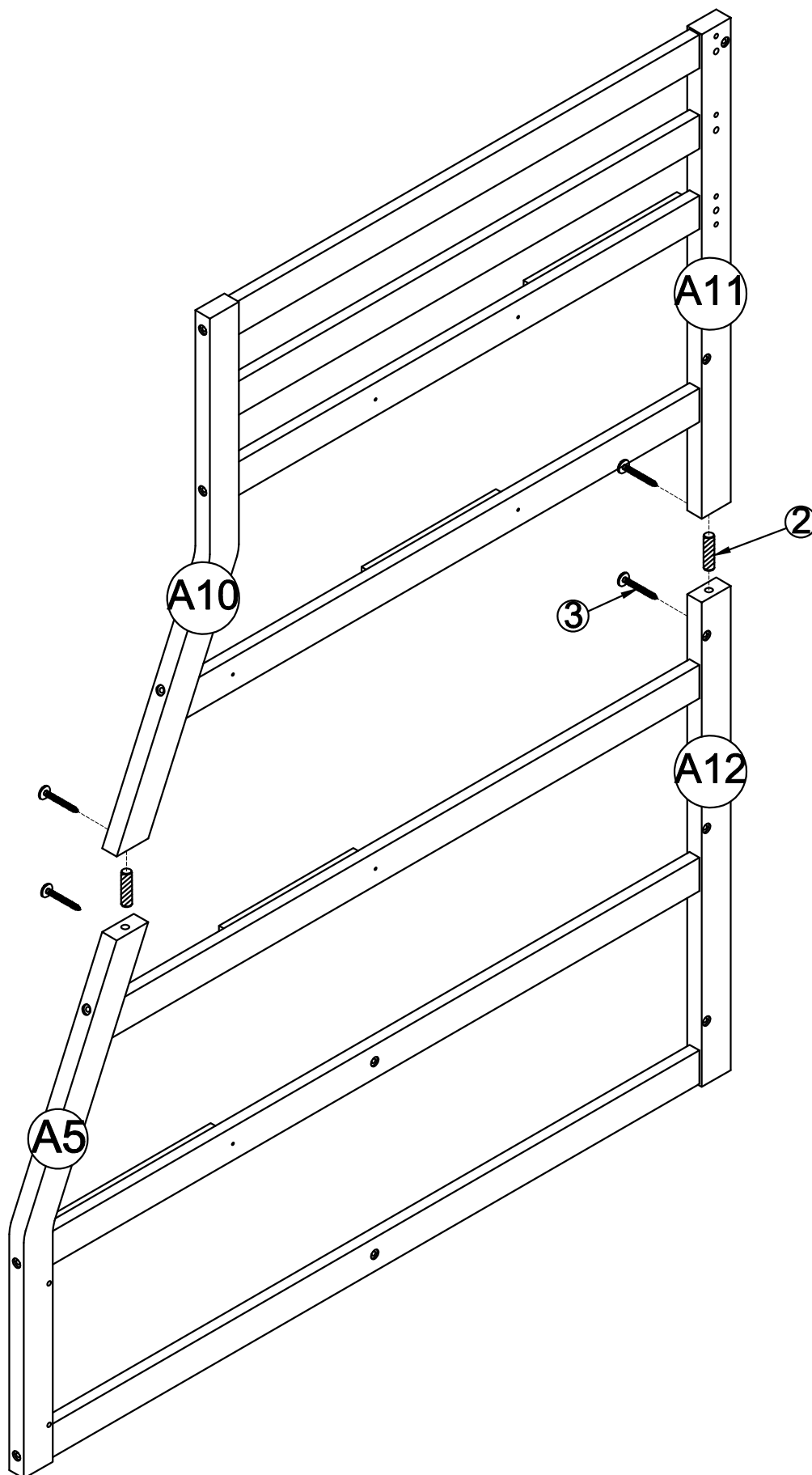
STEP 3-2: Following below illustration:


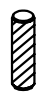
- Using hardward #1 to Connect A5,A12 Legs With B2,B3,B5 Wood Bars
- Look at detail view for more detail



STEP 3-3: Following below illustration:

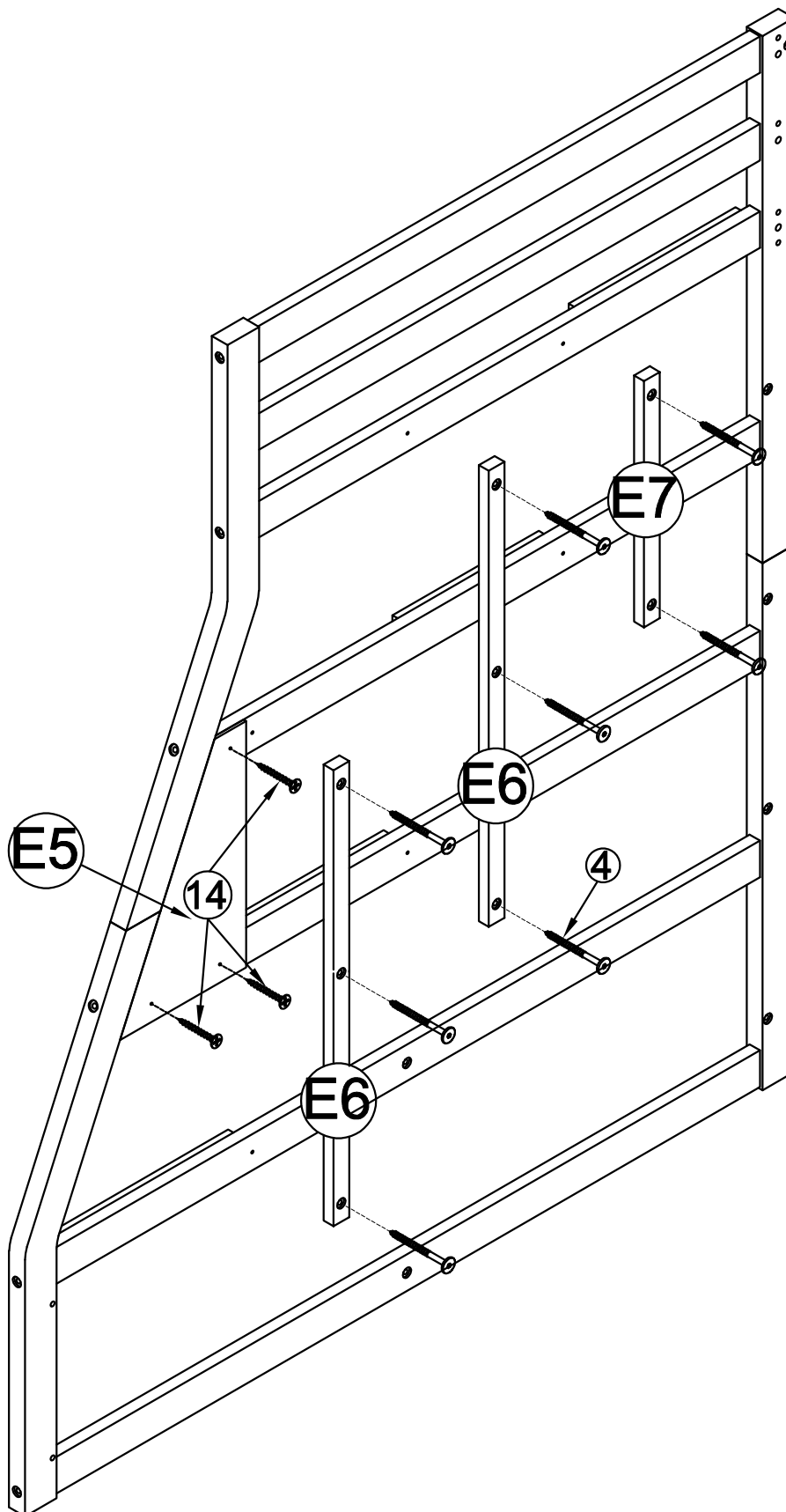
- Using hardward #3 and dowel 2 to Connect Frame(Completed on step 3-1) With Frame(Completed on step 3-2)
- Look at detail view for more detail





3	
4pcs	
2	
2pcs	

STEP 3-4: Following below illustration:

- Using hardward #4,#14 to Connect Frame(Completed on step 3-3) With E5 panel,B6(x2),B7 Bars
- Look at detail view for more detail

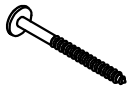


14	
3pcs	
4	
8pcs	

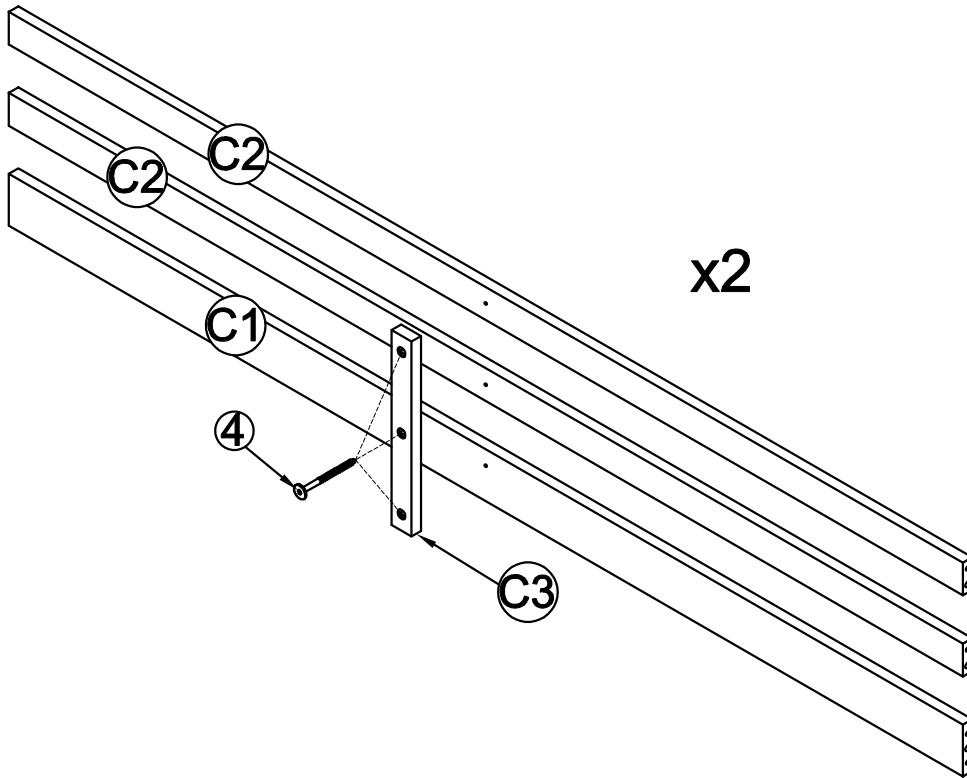
STEP 4: Following below illustration:

- Using hardware #4 to Connect C1 Side Rail and C2(x2) Guardrails With C3 Rail
- Look at detail view for more detail

4



3x2pcs



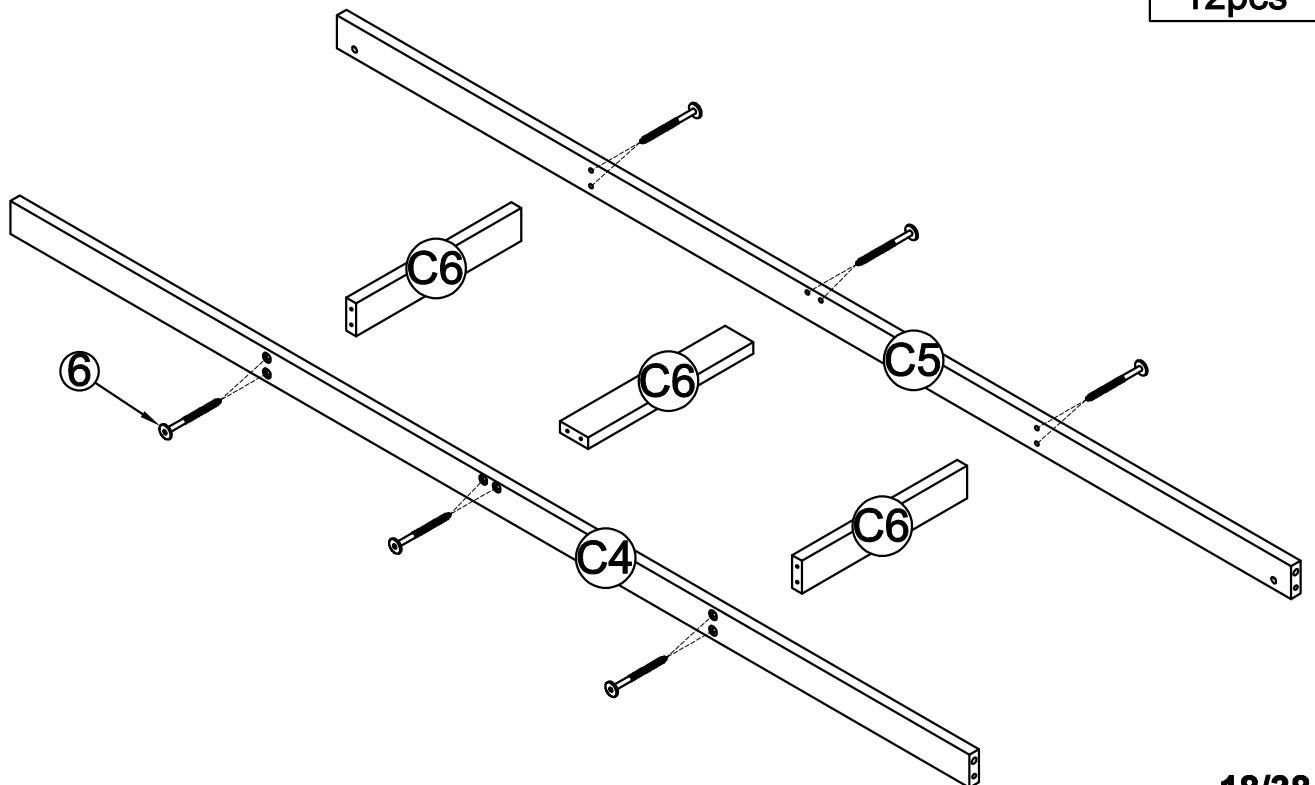
STEP 5: Following below illustration:

- Using hardware #6 to Connect C4,C5 Rails With C6(x3) Rails
- Look at detail view for more detail

6




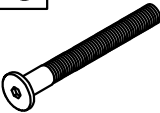
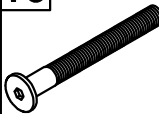

12pcs

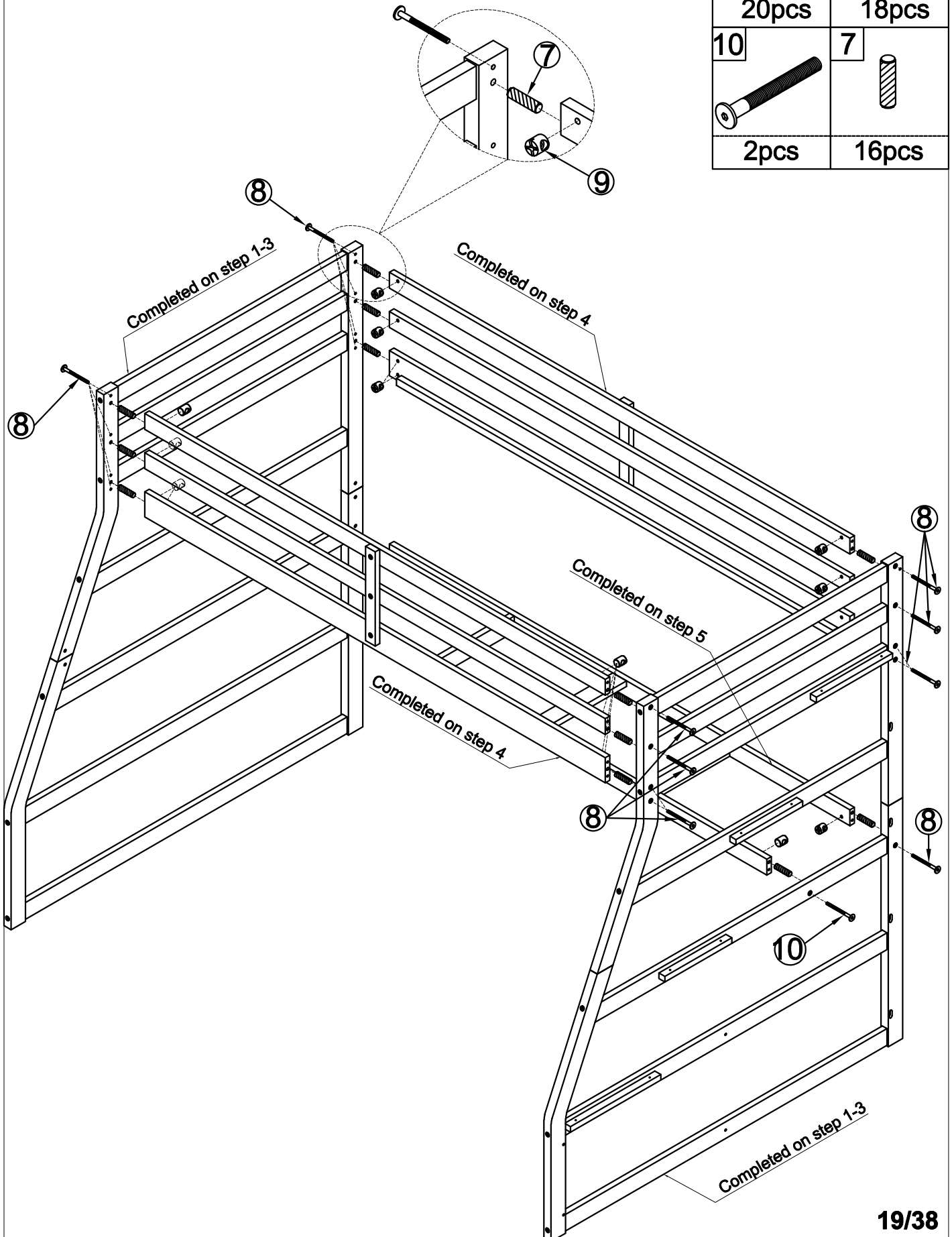


STEP 6: Following below illustration:

-Using hardward #8,#9,#10 and dowel 7 to Assembly Frames (Completed on step 1-3,Step 2-3) With Frame (Completed on step 4,step 5)


-Look at detail view for more detail

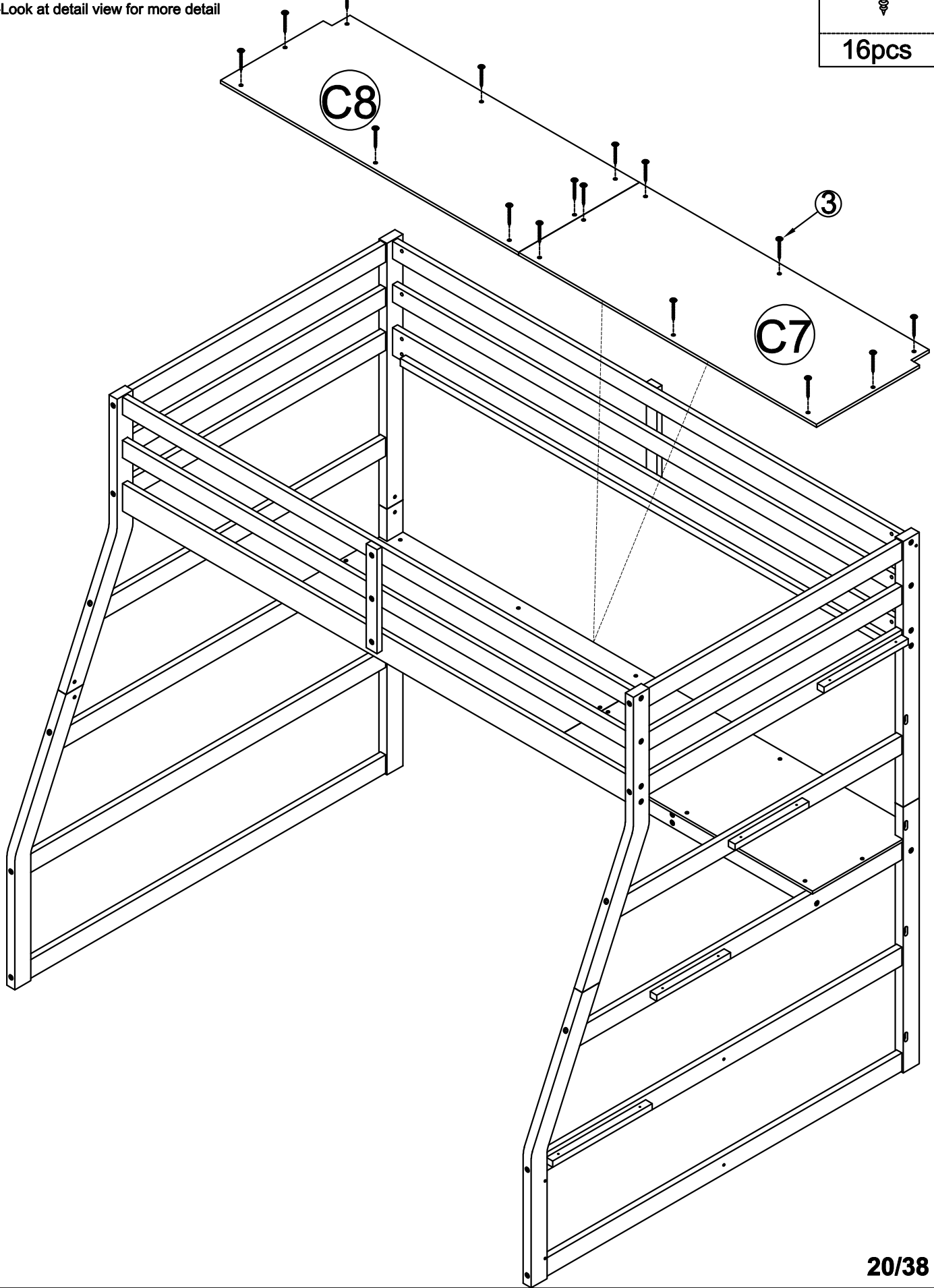
<p>9</p> 	<p>8</p> 
<p>20pcs</p>	<p>18pcs</p>
<p>10</p> 	<p>7</p> 
<p>2pcs</p>	<p>16pcs</p>






STEP 7: Following below illustration:

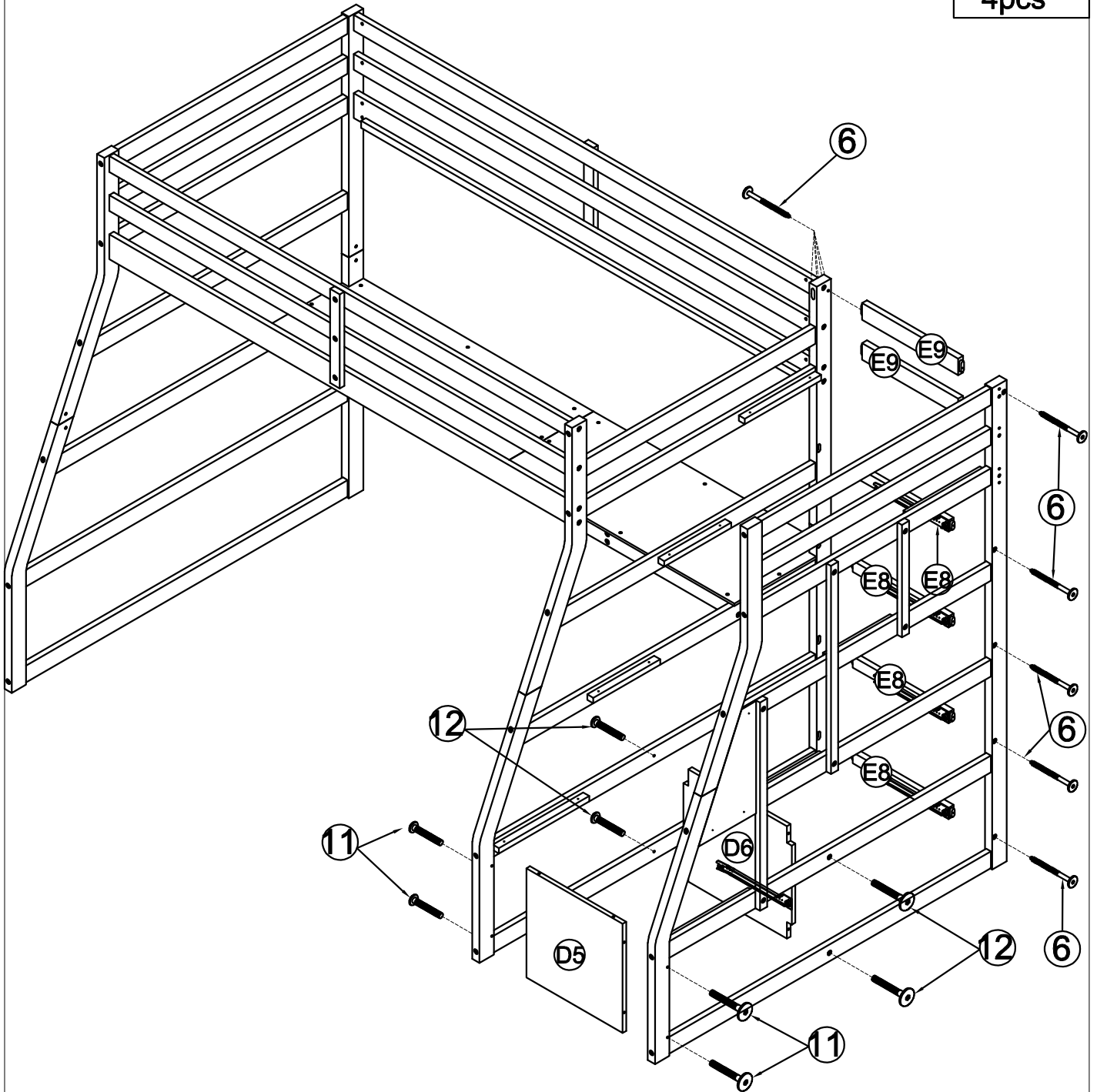
- Using hardward #3 to Assembly Frames (Completed on step 6) With C7,C8 Panels
- Look at detail view for more detail

3	
16pcs	





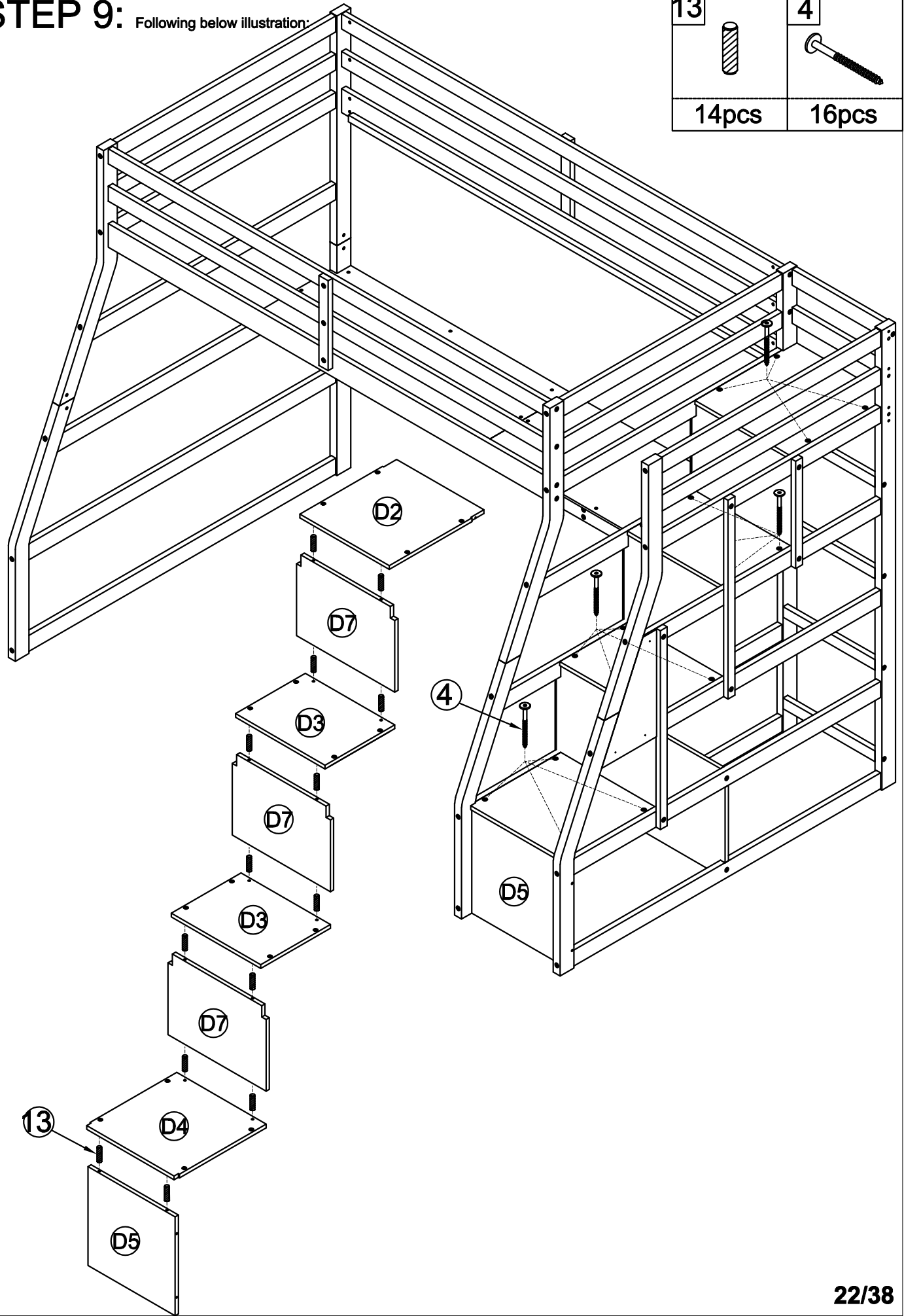
STEP 8: Following below illustration:

11	6
	
4pcs	10pcs
	12
	
	4pcs



STEP 9: Following below illustration:

13		4	
14pcs		16pcs	



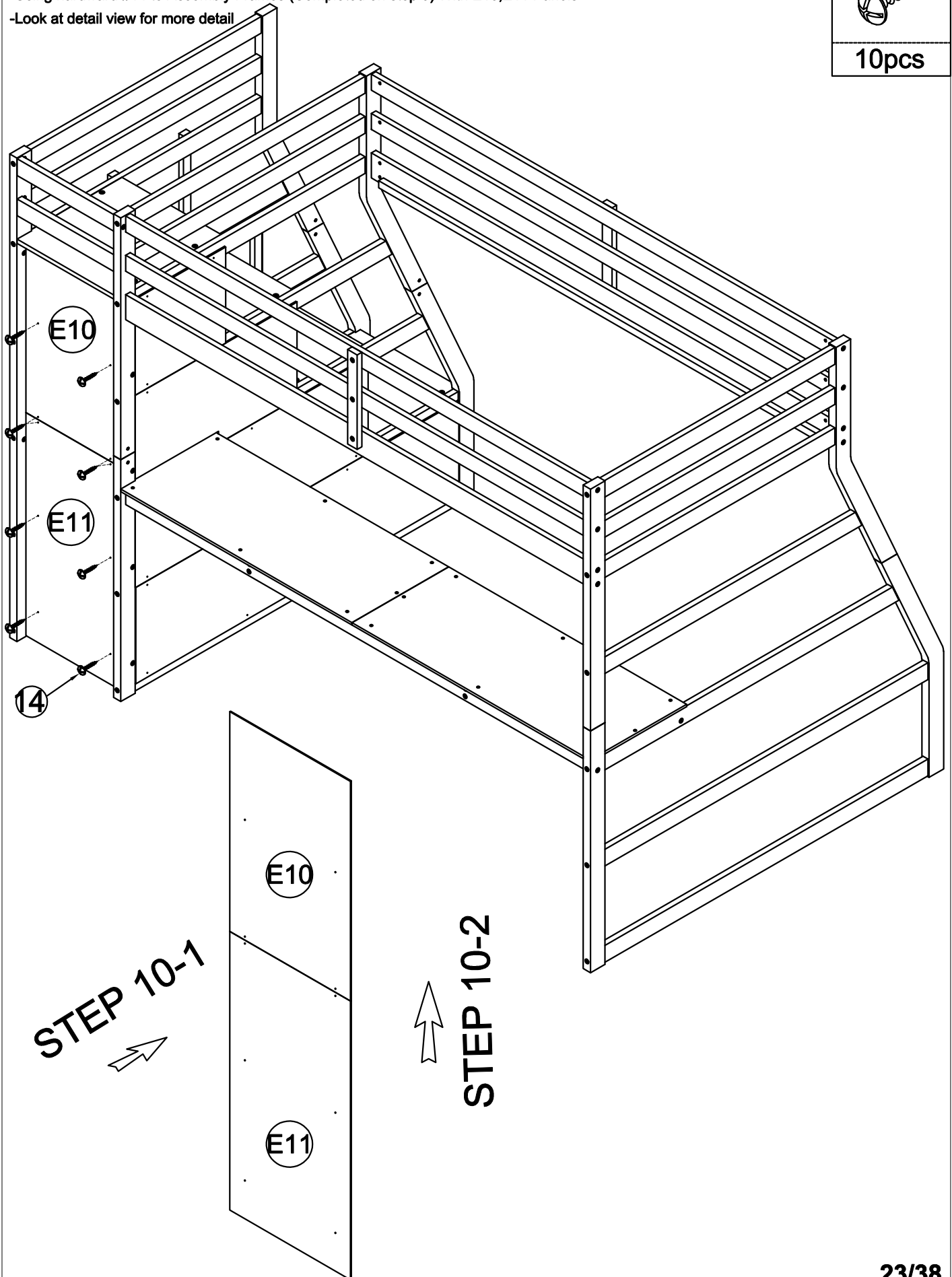
STEP 10: Following below illustration:

- Using hardward #14 to Assembly Frames (Completed on step 9) With E10,E11 Panels
- Look at detail view for more detail

14




10pcs

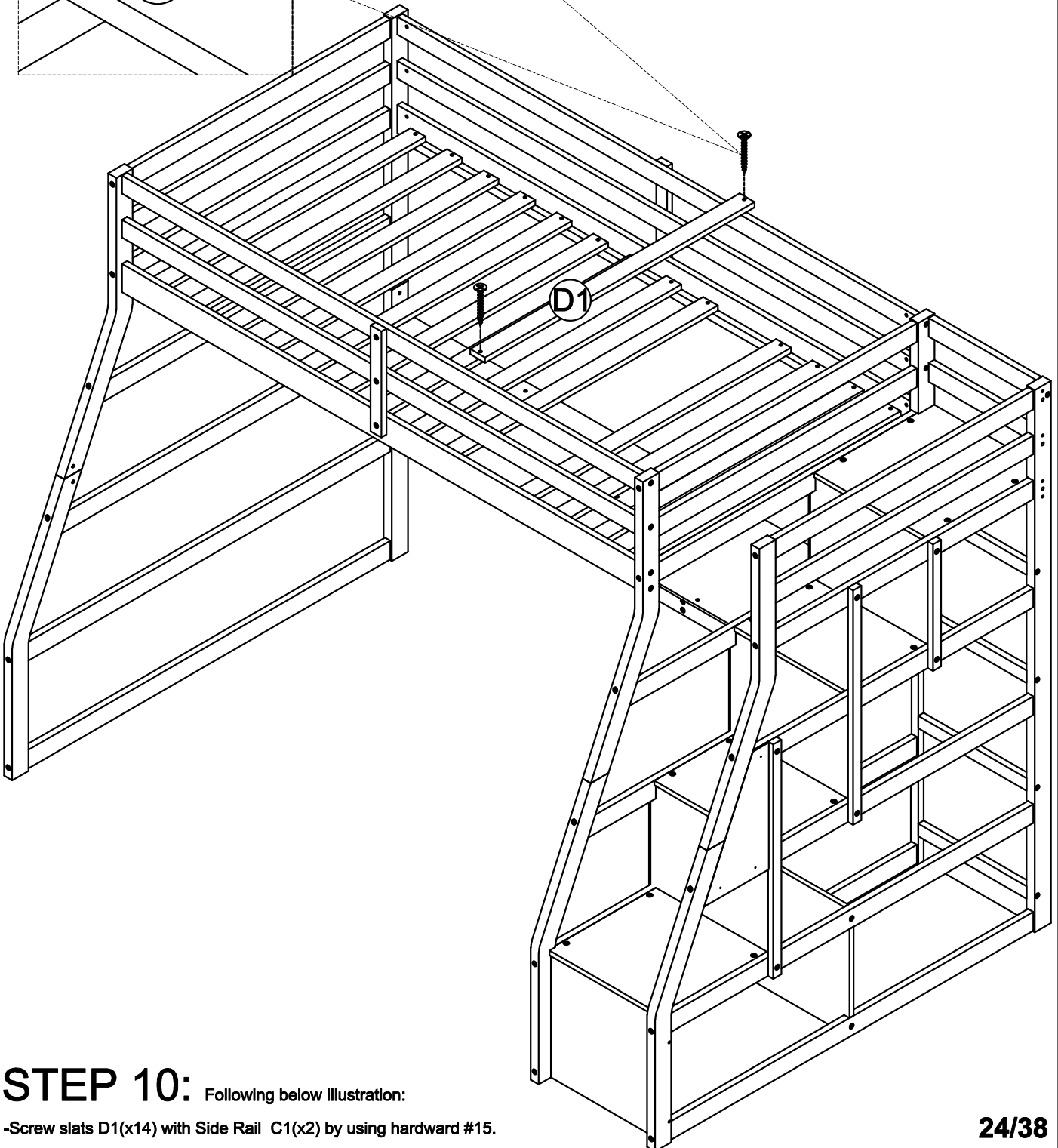
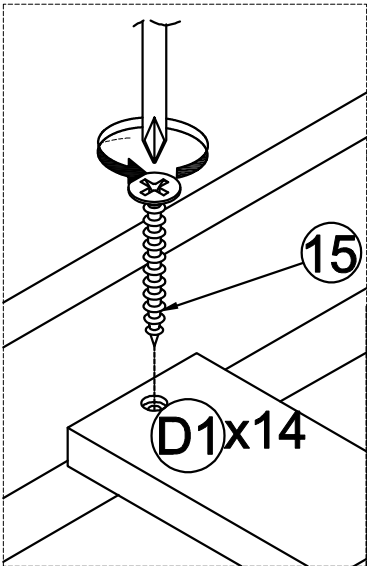


STEP 10-1



STEP 10-2

15 
28pcs



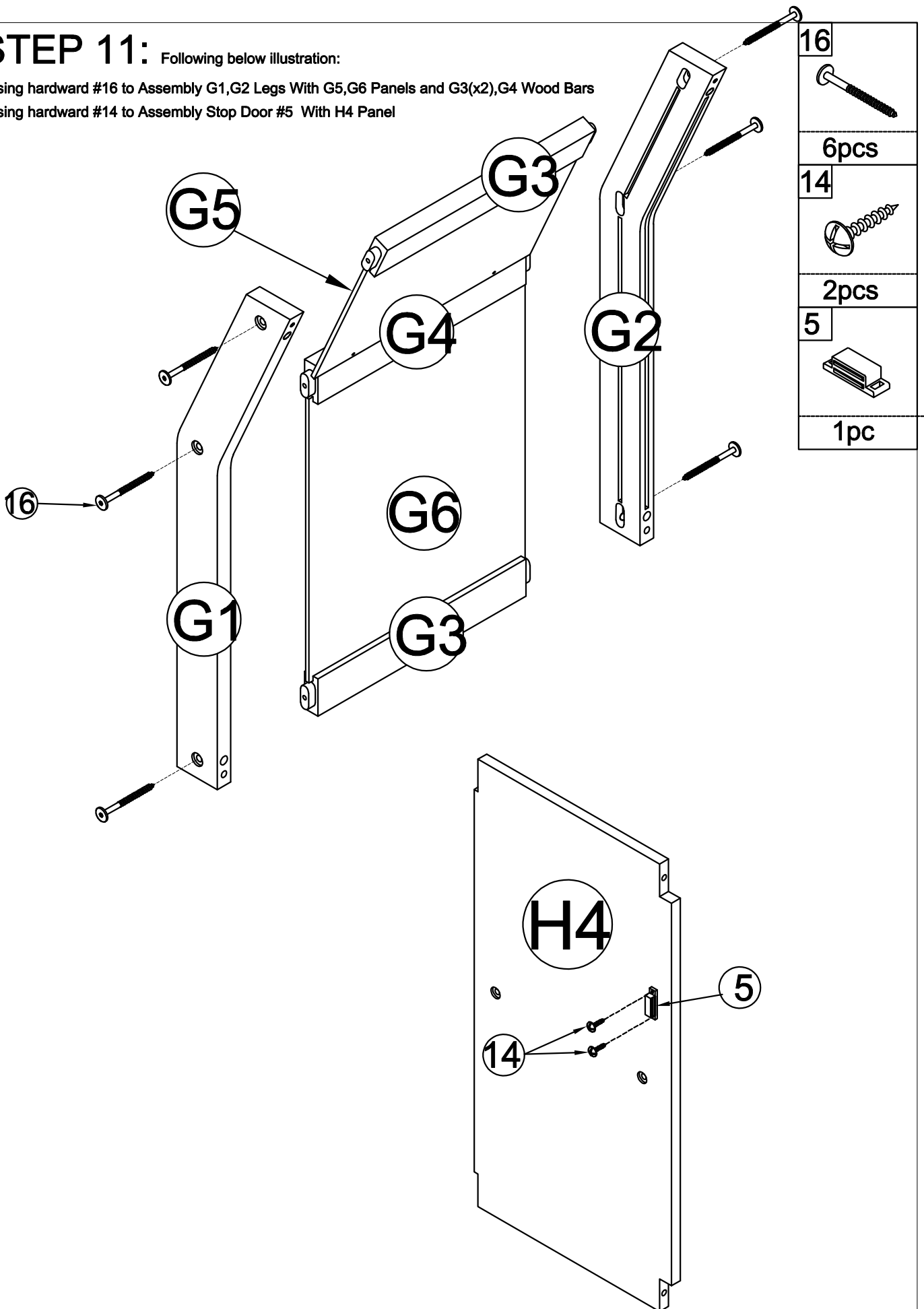
STEP 10: Following below illustration:


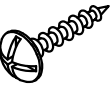
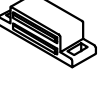
-Screw slats D1(x14) with Side Rail C1(x2) by using hardward #15.

STEP 11: Following below illustration:

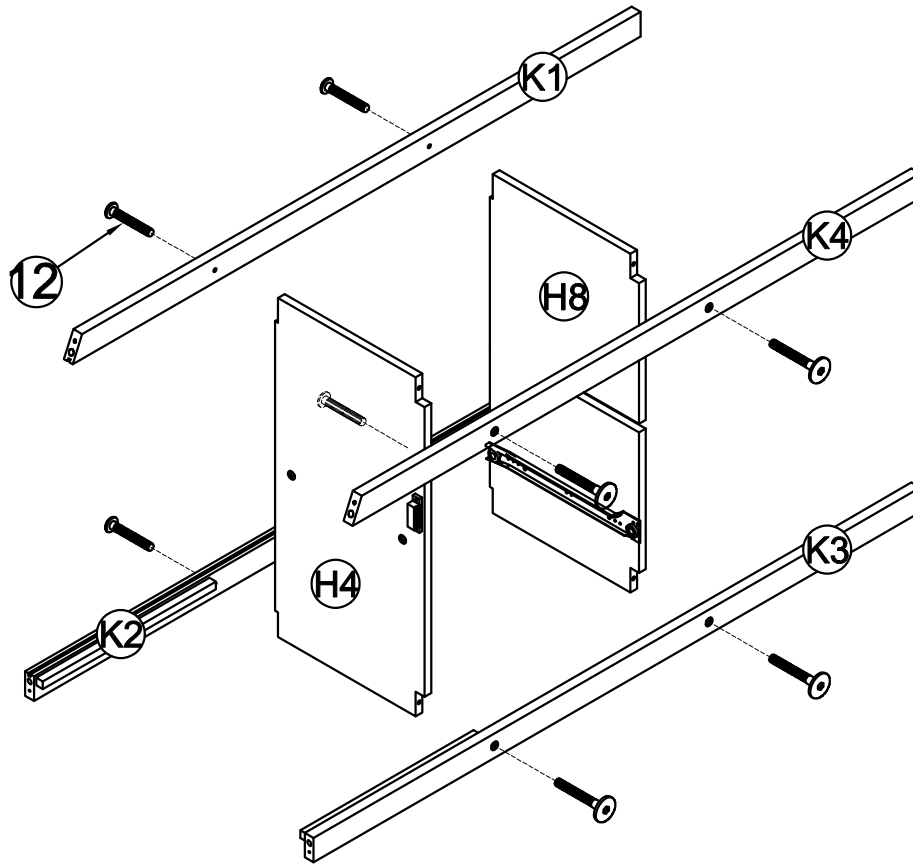
-Using hardware #16 to Assembly G1,G2 Legs With G5,G6 Panels and G3(x2),G4 Wood Bars

-Using hardware #14 to Assembly Stop Door #5 With H4 Panel



16	
6pcs	
14	
2pcs	
5	
1pc	

STEP 12-1: Following below illustration:

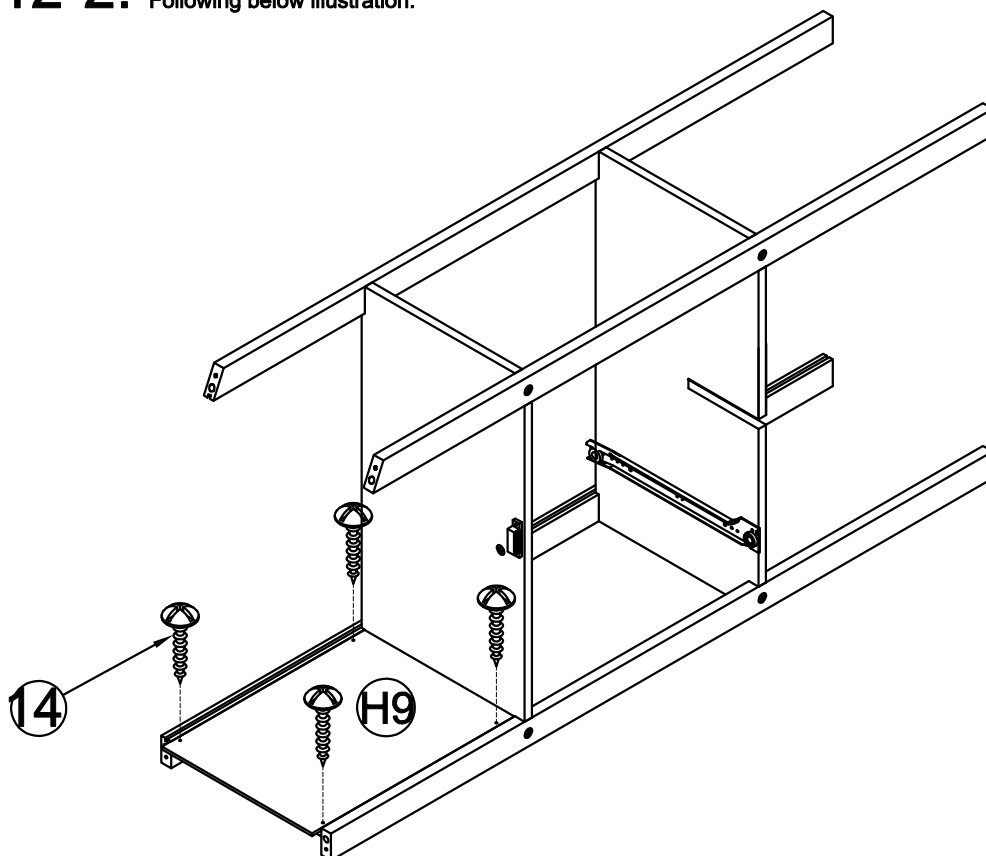


12

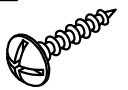


8pcs

STEP 12-2: Following below illustration:

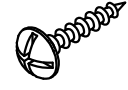


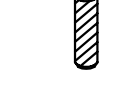


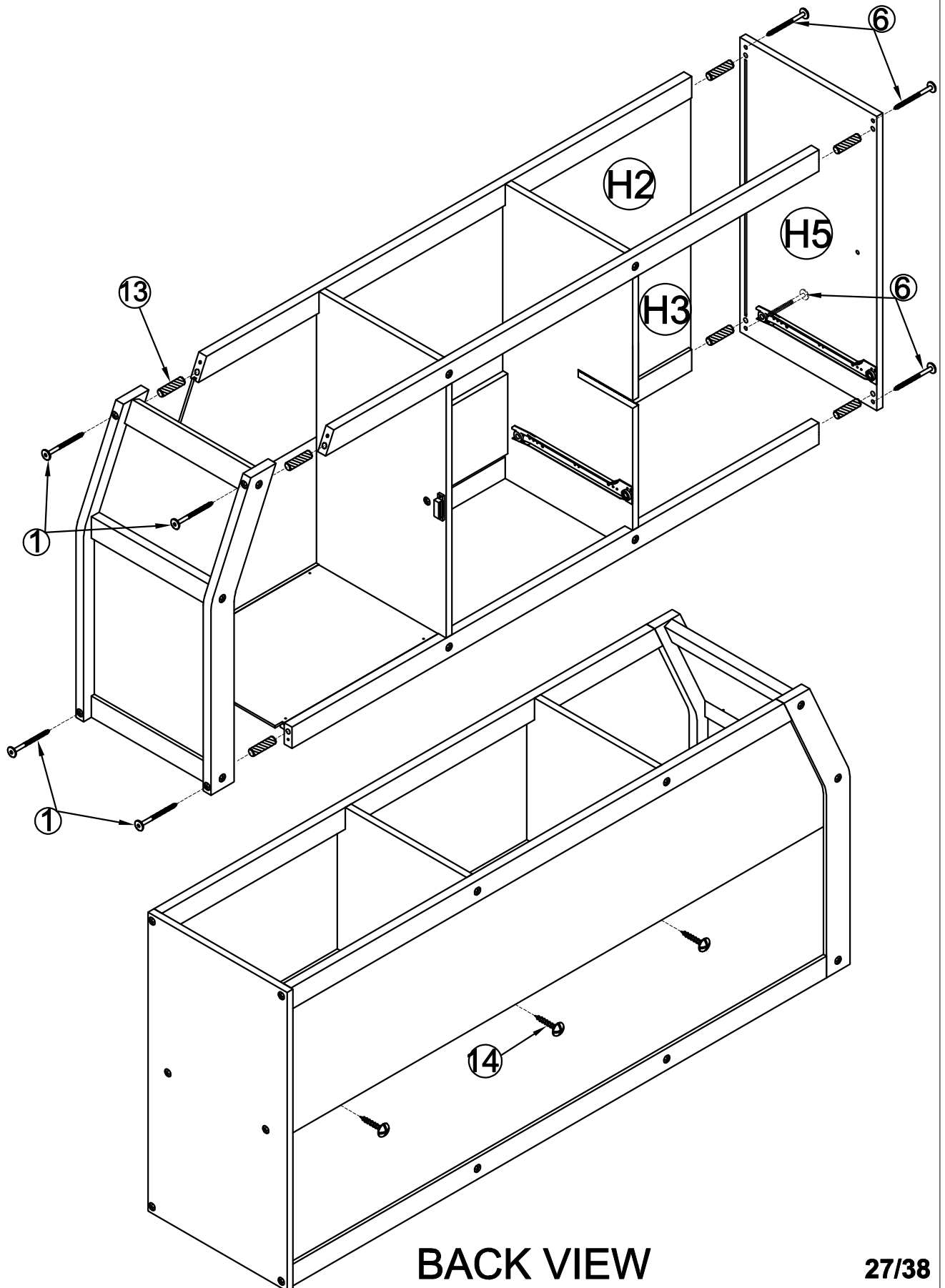
14



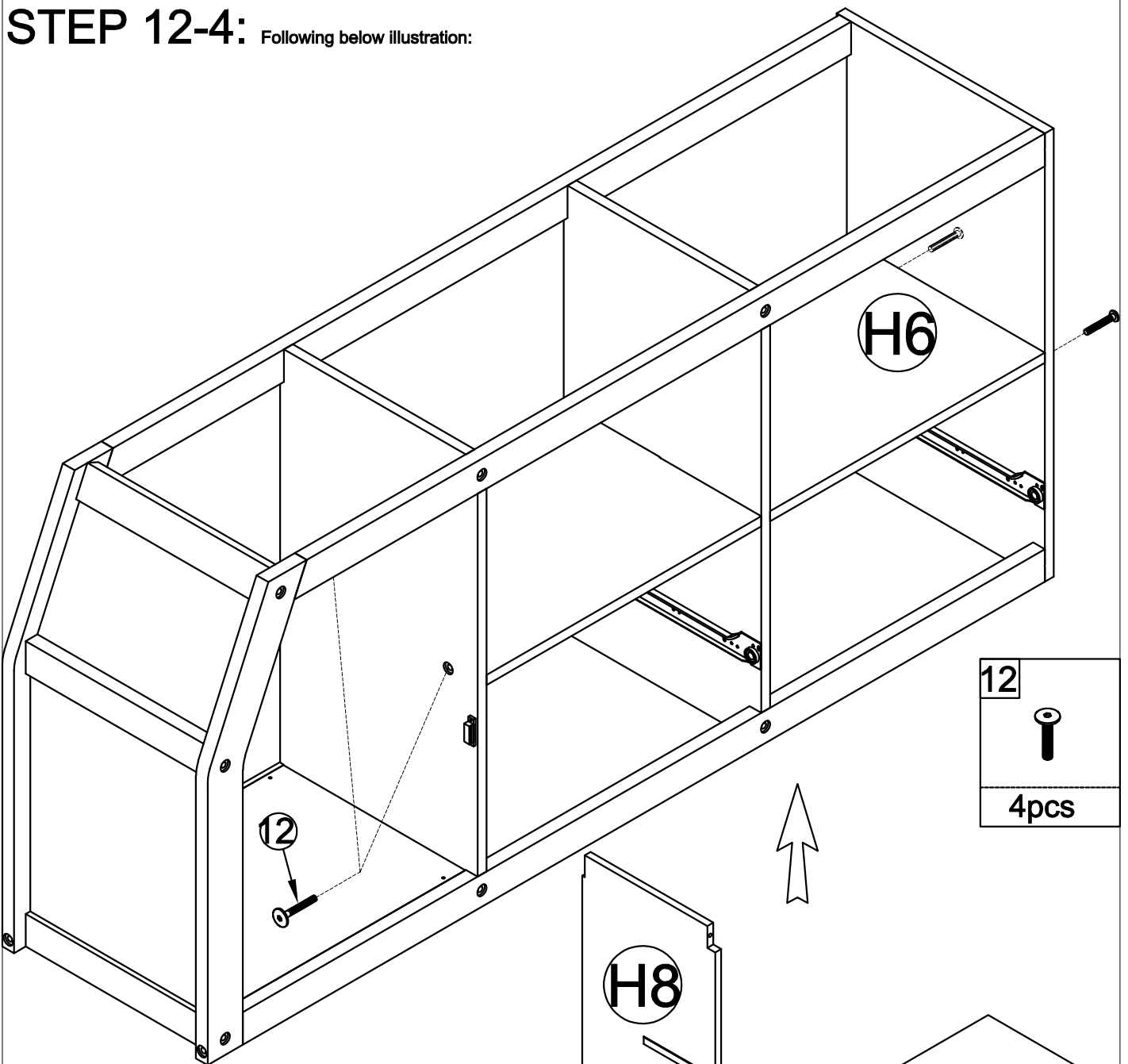
4pcs


STEP 12-3: Following below illustration:

14	1	6	13
			
3pcs	4pcs	4pcs	8pcs

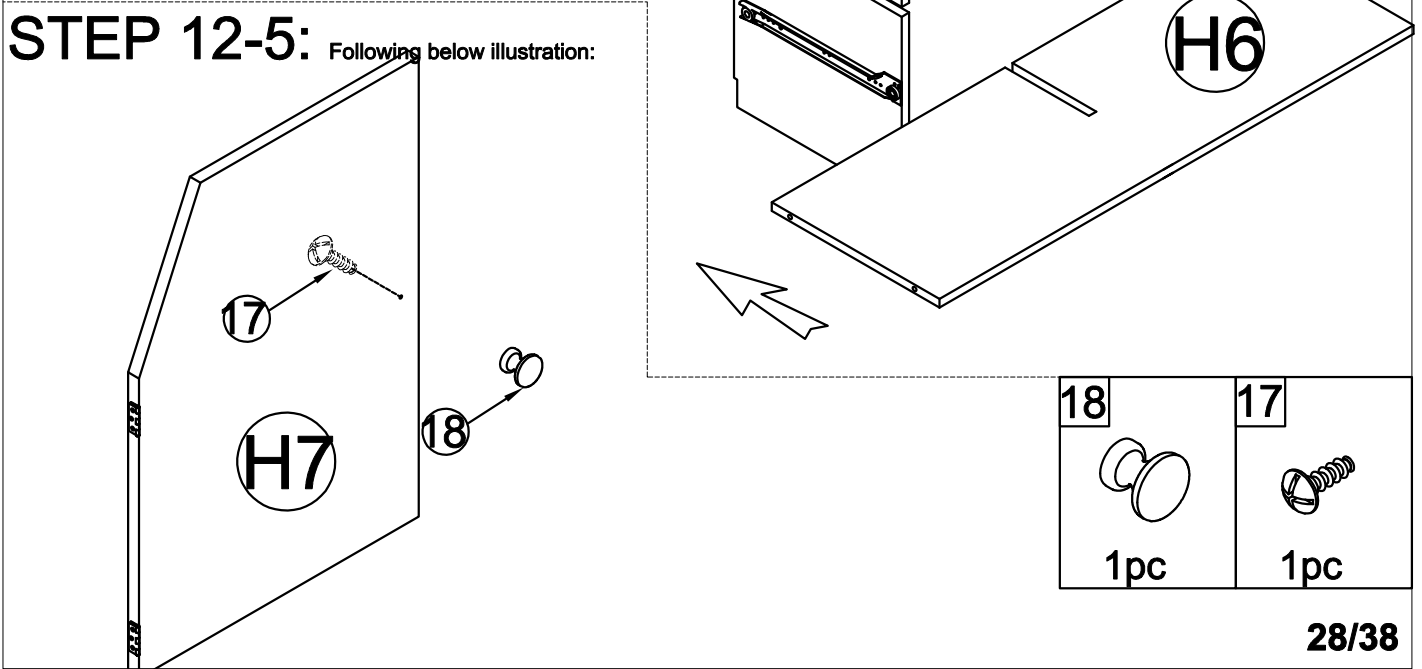




STEP 12-4: Following below illustration:





12

4pcs

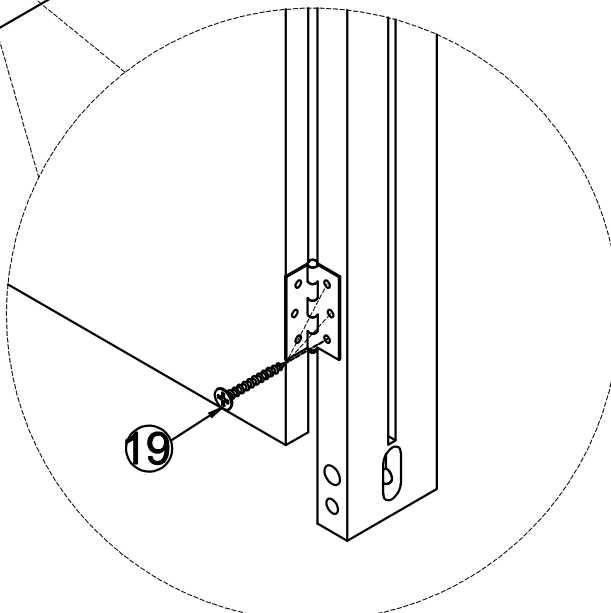
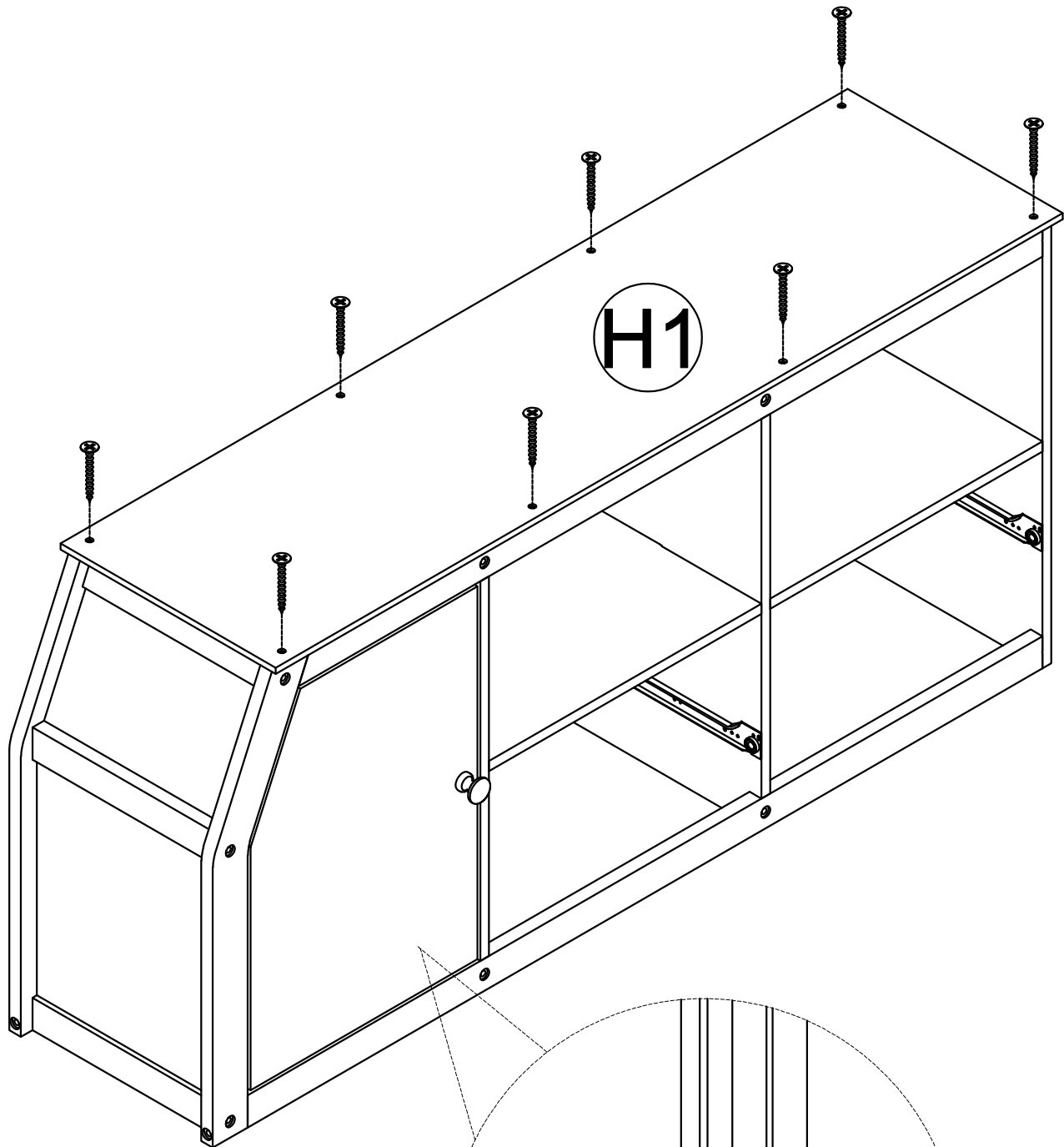
STEP 12-5: Following below illustration:



18	17
	
1pc	1pc

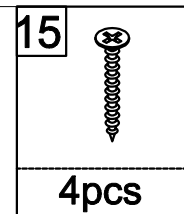
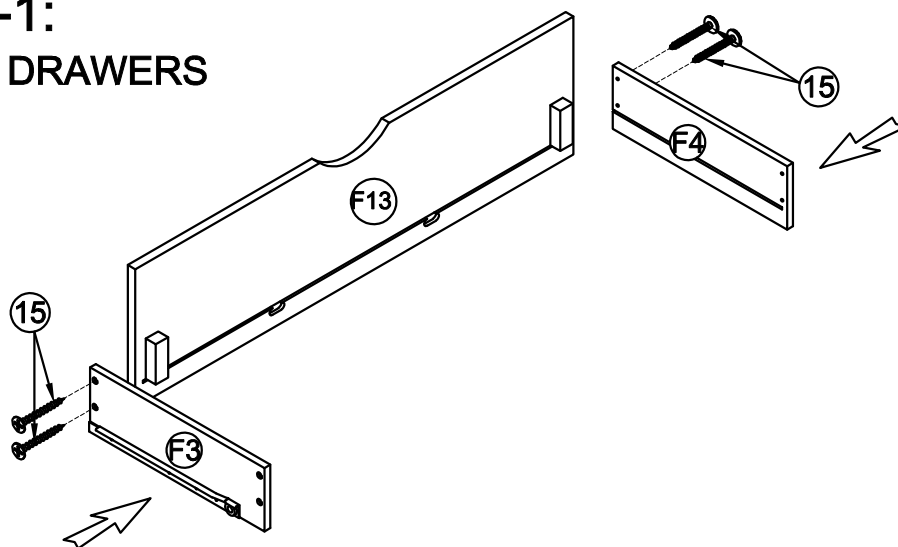
STEP 12-6: Following below illustration:

19		3	
6pcs		8pcs	

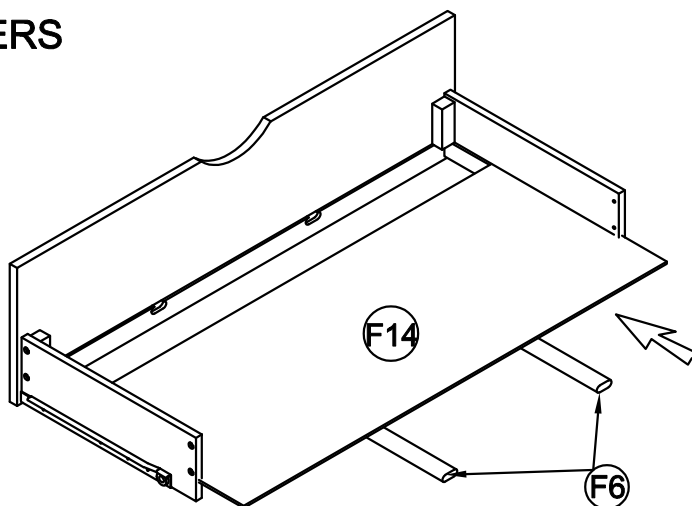


**Inside View
(x2)**

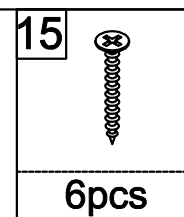
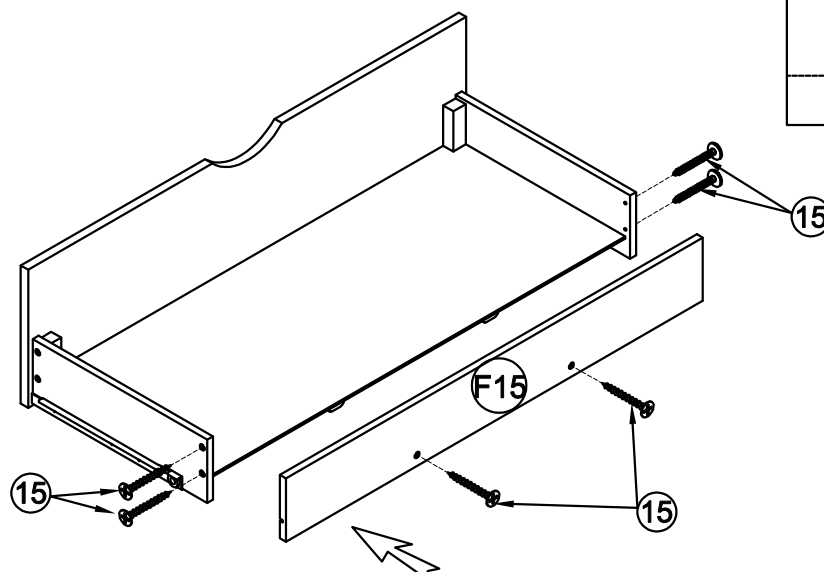
STEP 13-1: ASSEMBLY DRAWERS



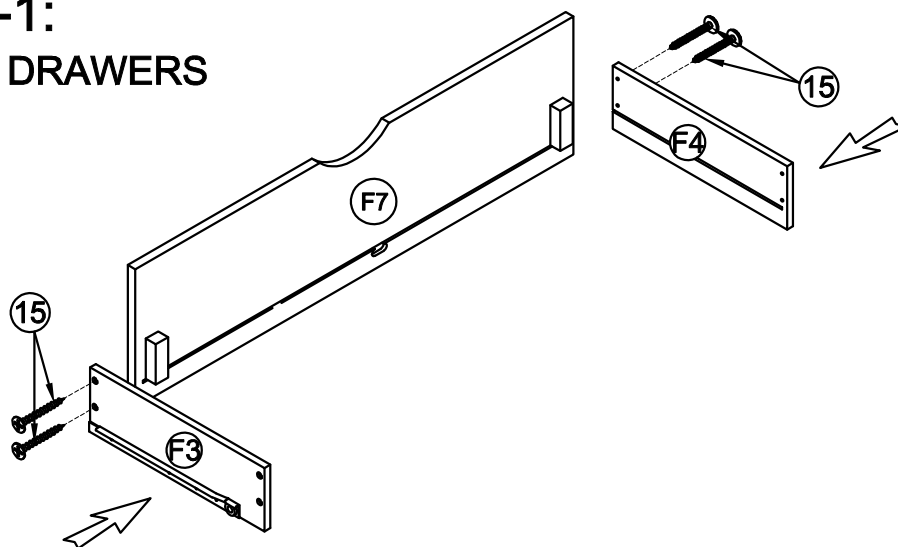
STEP 13-2: ASSEMBLY DRAWERS




STEP 13-3: ASSEMBLY DRAWERS

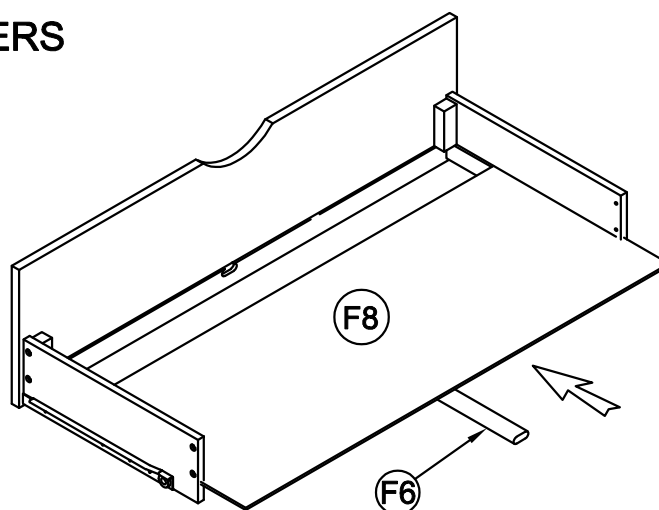


STEP 14-1: ASSEMBLY DRAWERS

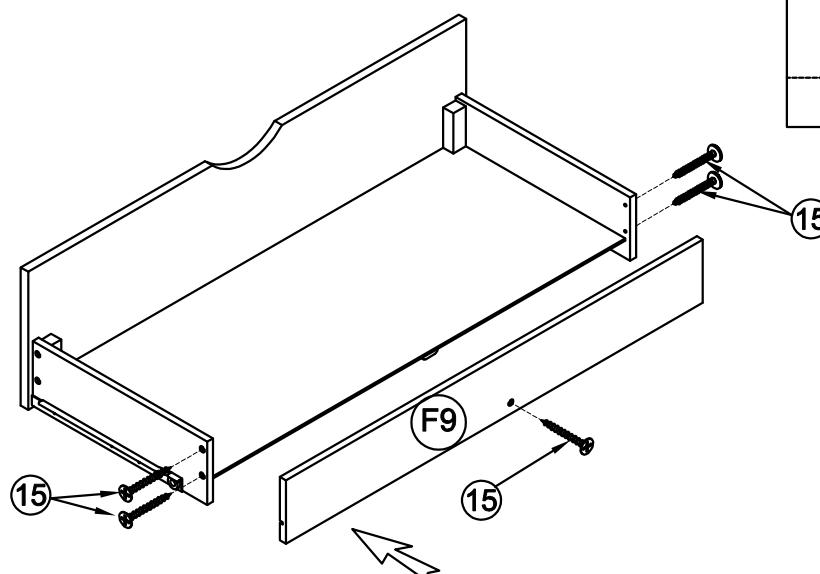



15	
4pcs	

STEP 14-2: ASSEMBLY DRAWERS

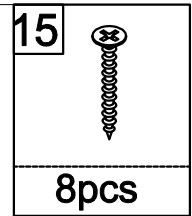
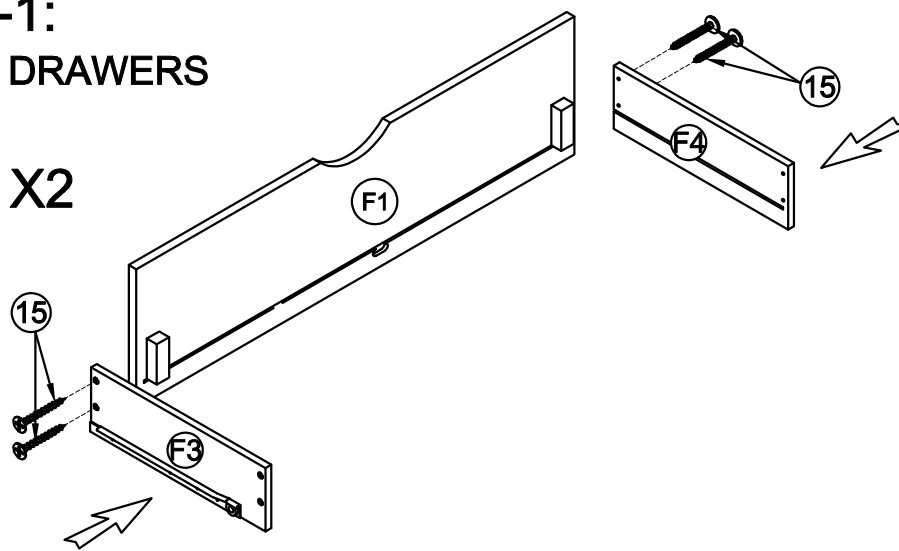


STEP 14-3: ASSEMBLY DRAWERS

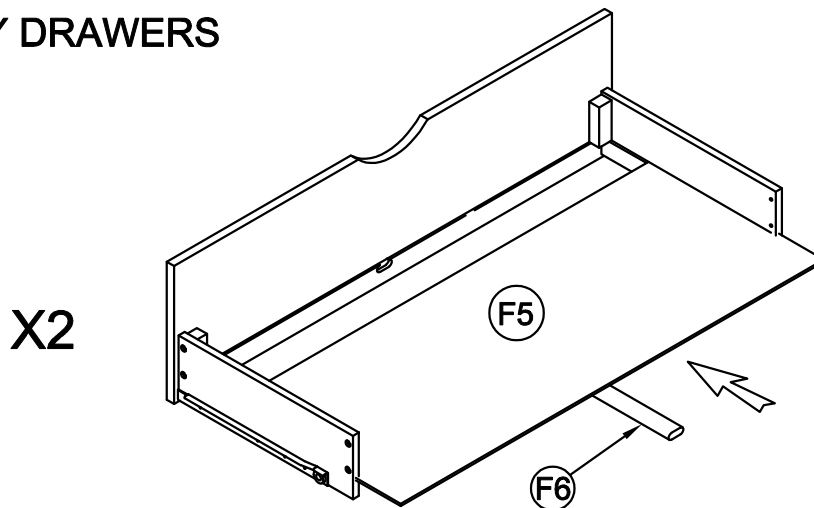


15	
5pcs	

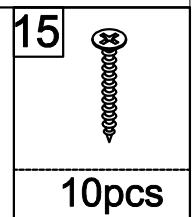
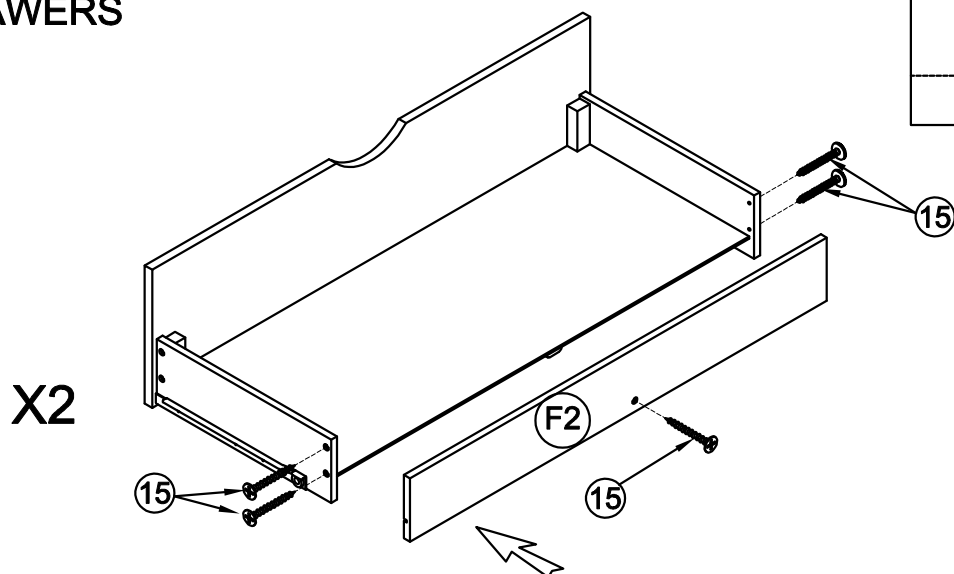
STEP 15-1: ASSEMBLY DRAWERS



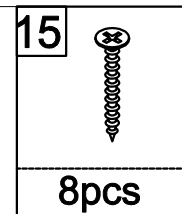
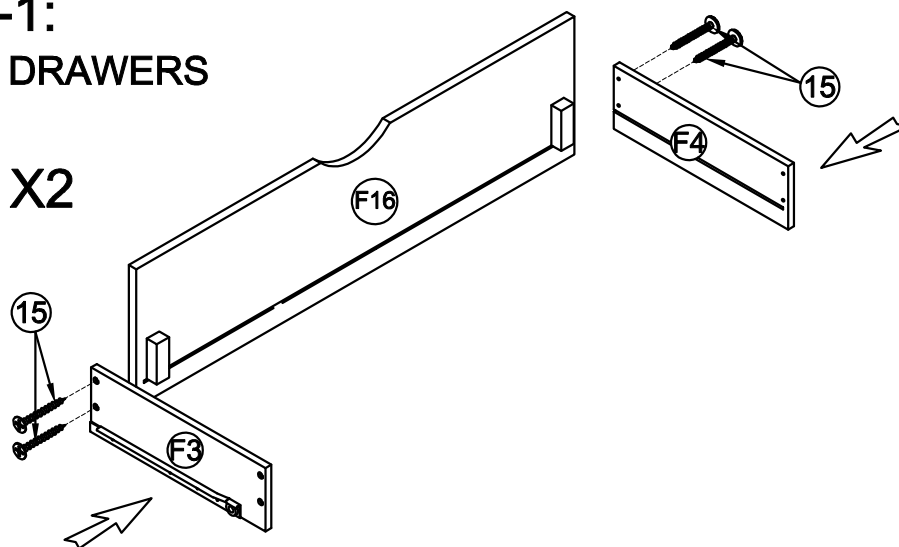
STEP 15-2: ASSEMBLY DRAWERS



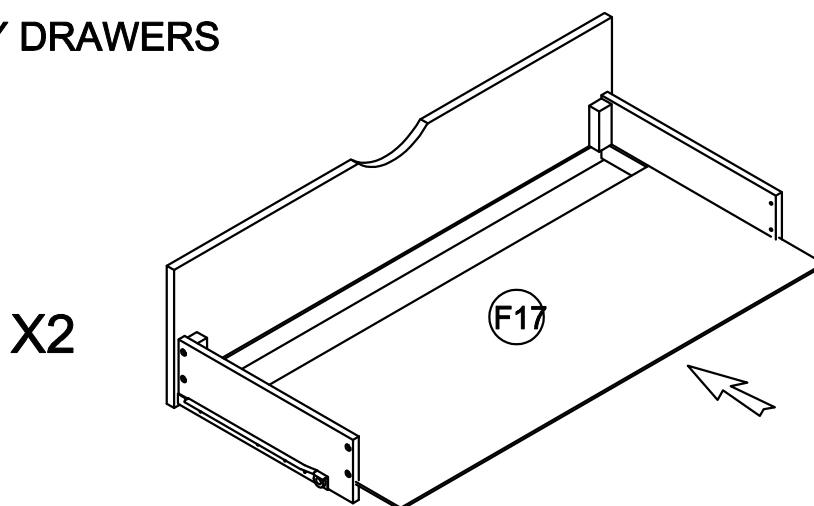
STEP 15-3: ASSEMBLY DRAWERS



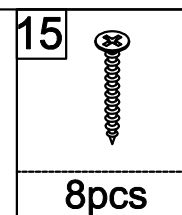
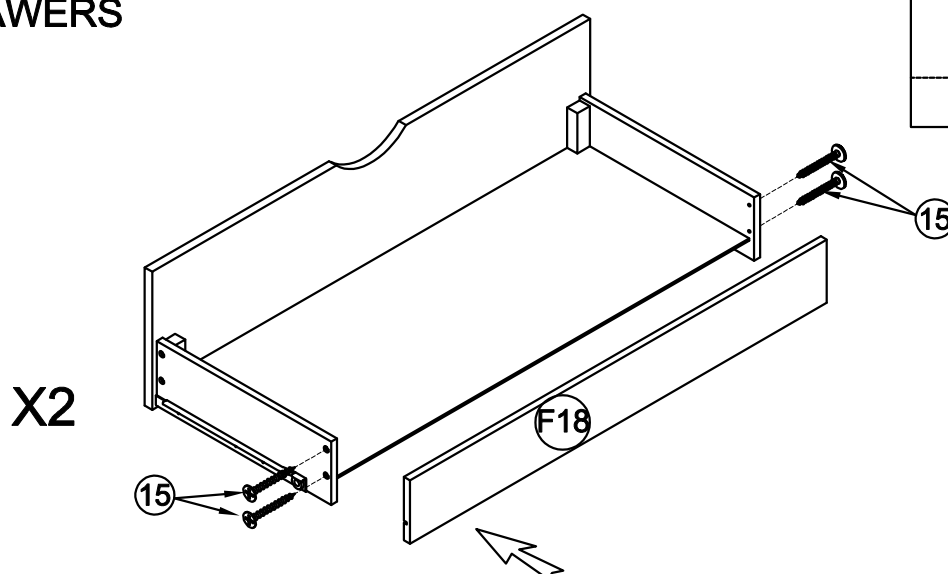
STEP 16-1: ASSEMBLY DRAWERS



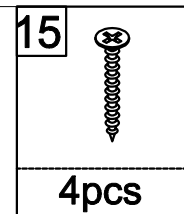
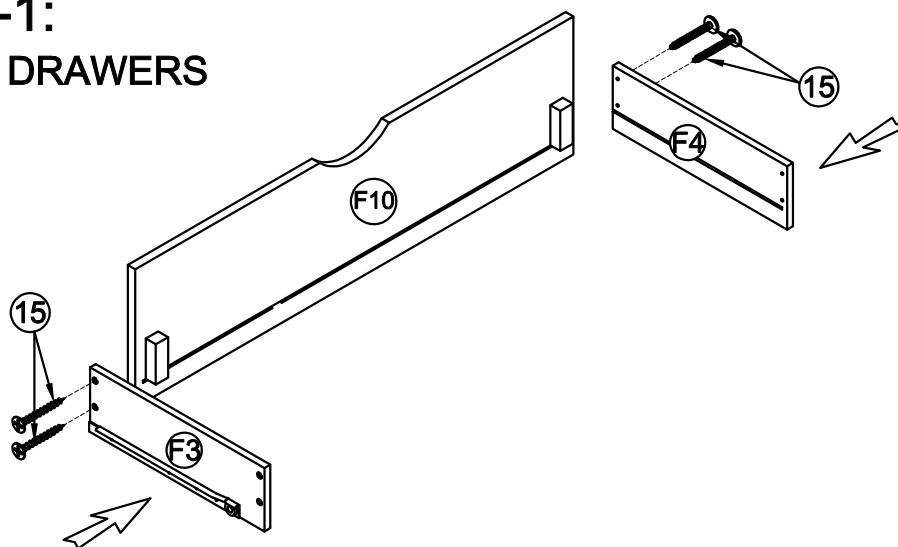
STEP 16-2: ASSEMBLY DRAWERS



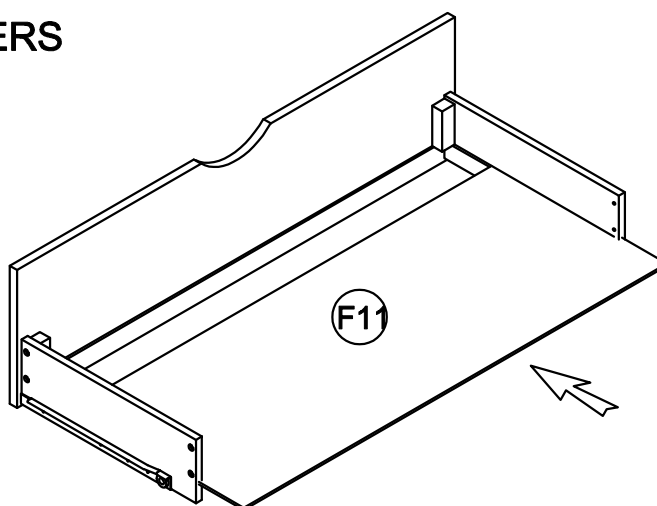
STEP 16-3: ASSEMBLY DRAWERS



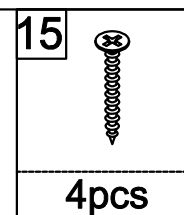
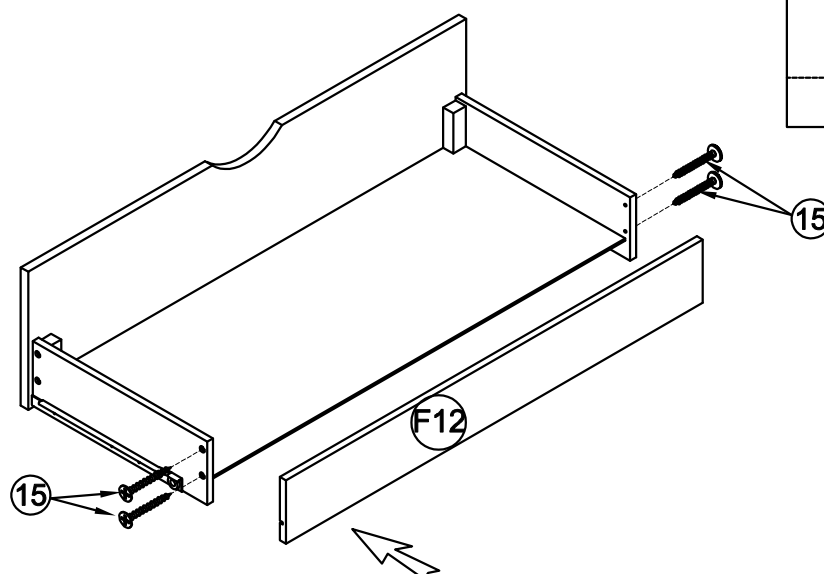
STEP 17-1: ASSEMBLY DRAWERS



STEP 17-2: ASSEMBLY DRAWERS

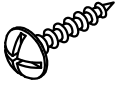


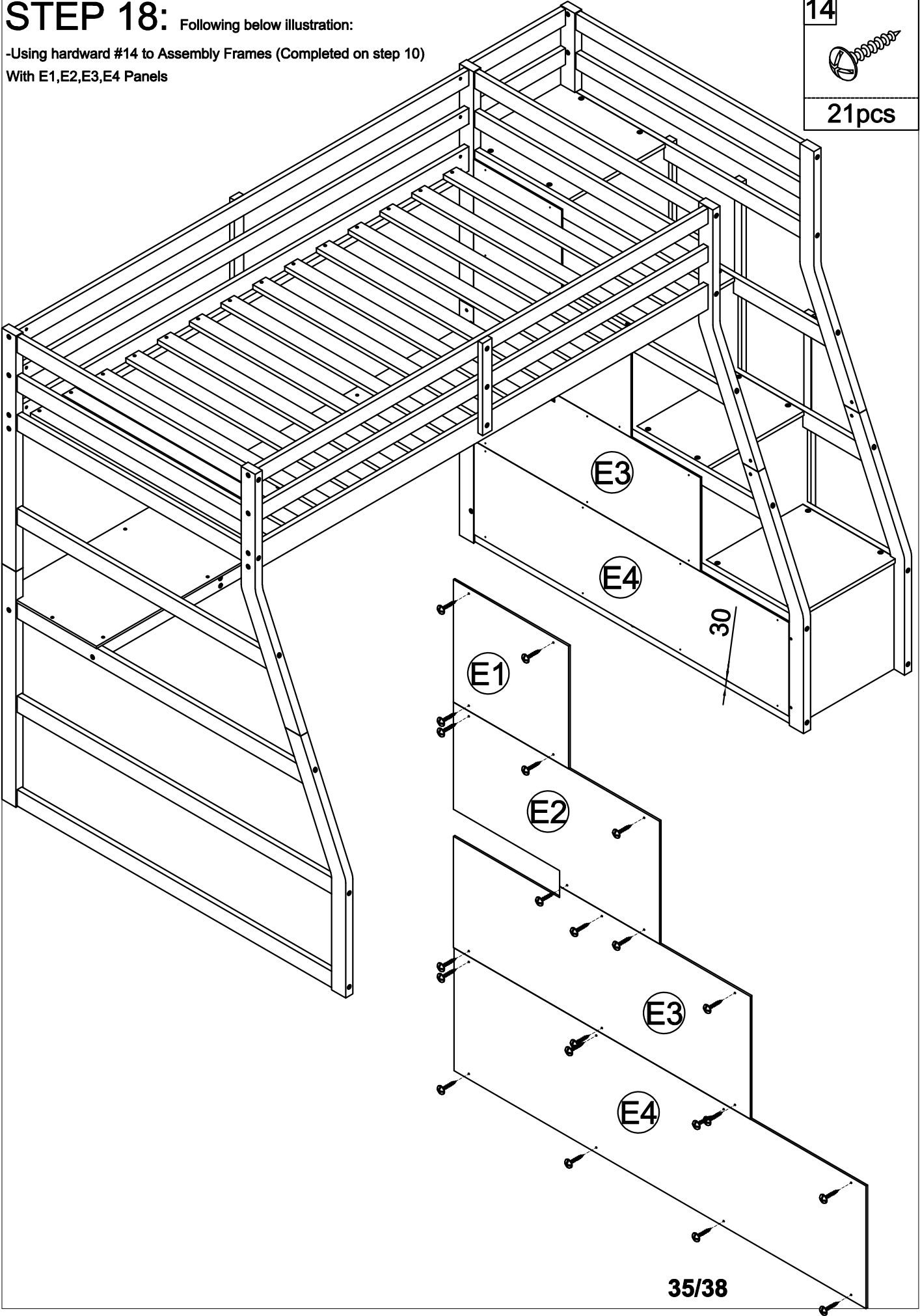
STEP 17-3: ASSEMBLY DRAWERS



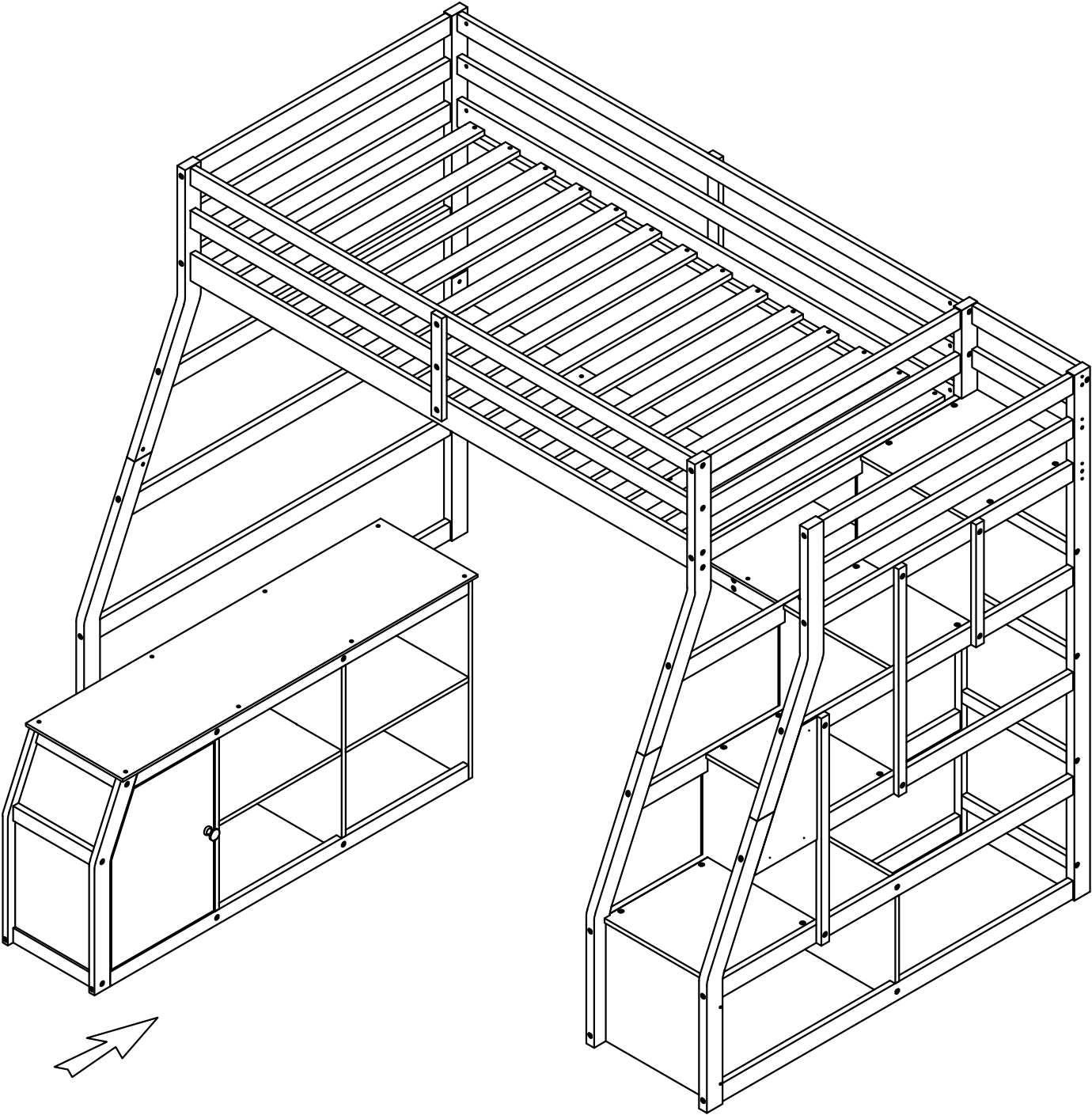
STEP 18: Following below illustration:

-Using hardward #14 to Assembly Frames (Completed on step 10)
With E1,E2,E3,E4 Panels

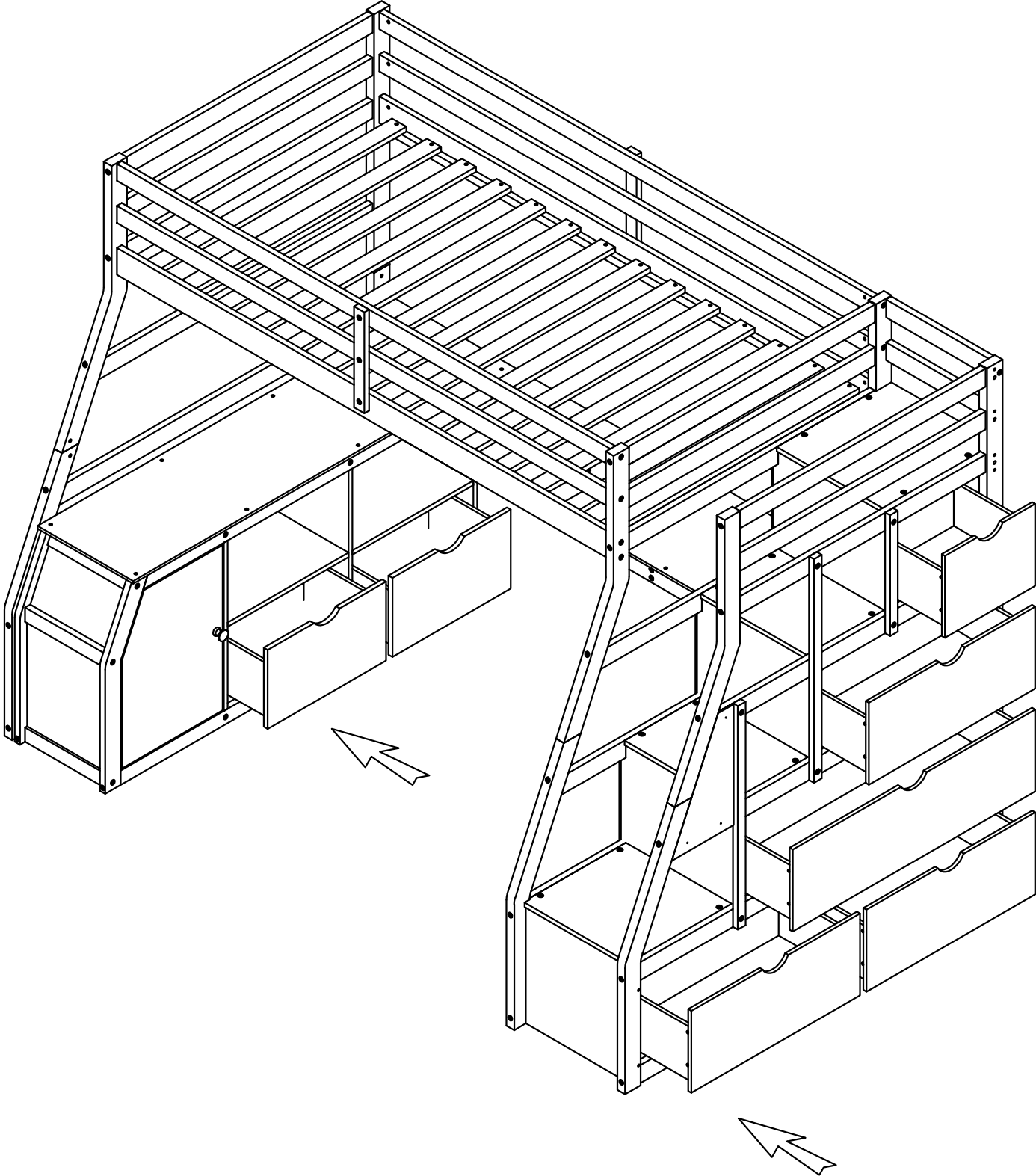
14

21pcs



STEP 19: Push Chest into it position



STEP 20: Push 7 Drawer into it position



CONGRARULATION. YOU HAVE COMPLETED THE BED.

