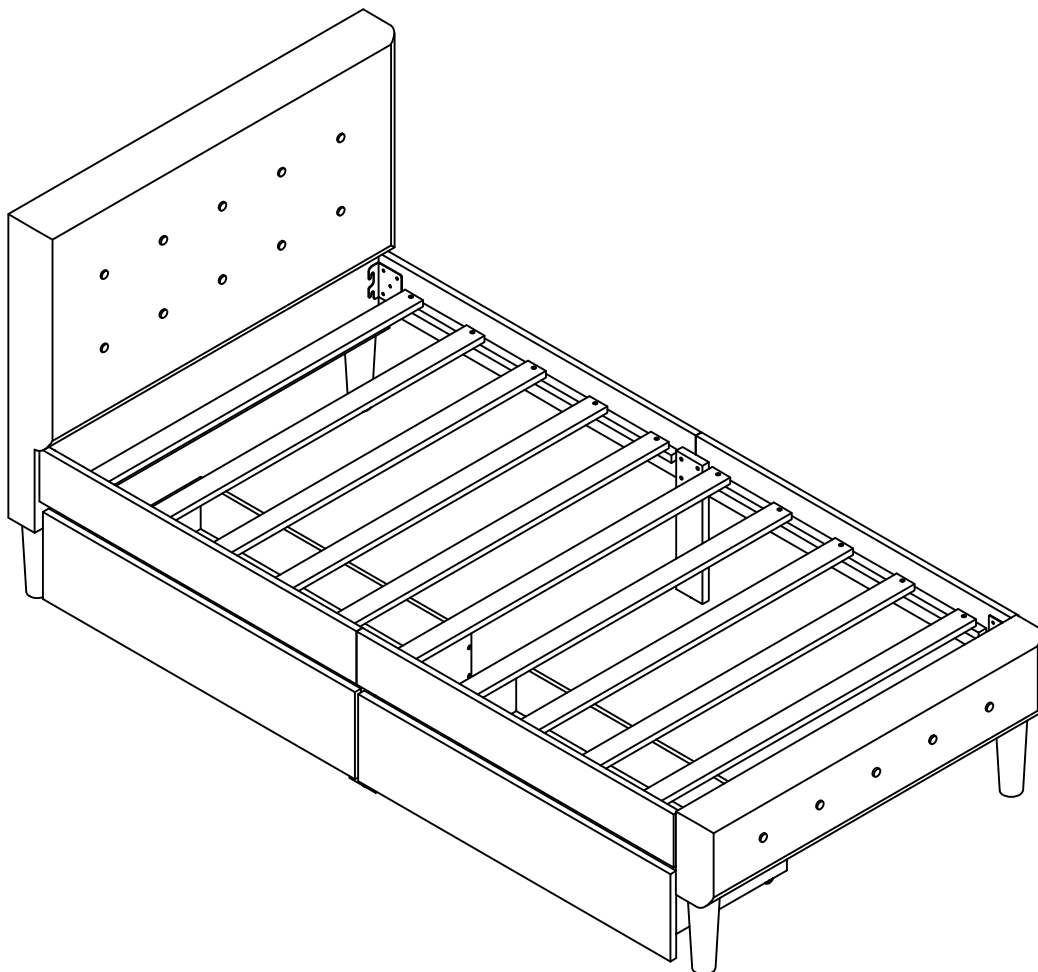


ASSEMBLY INSTRUCTION

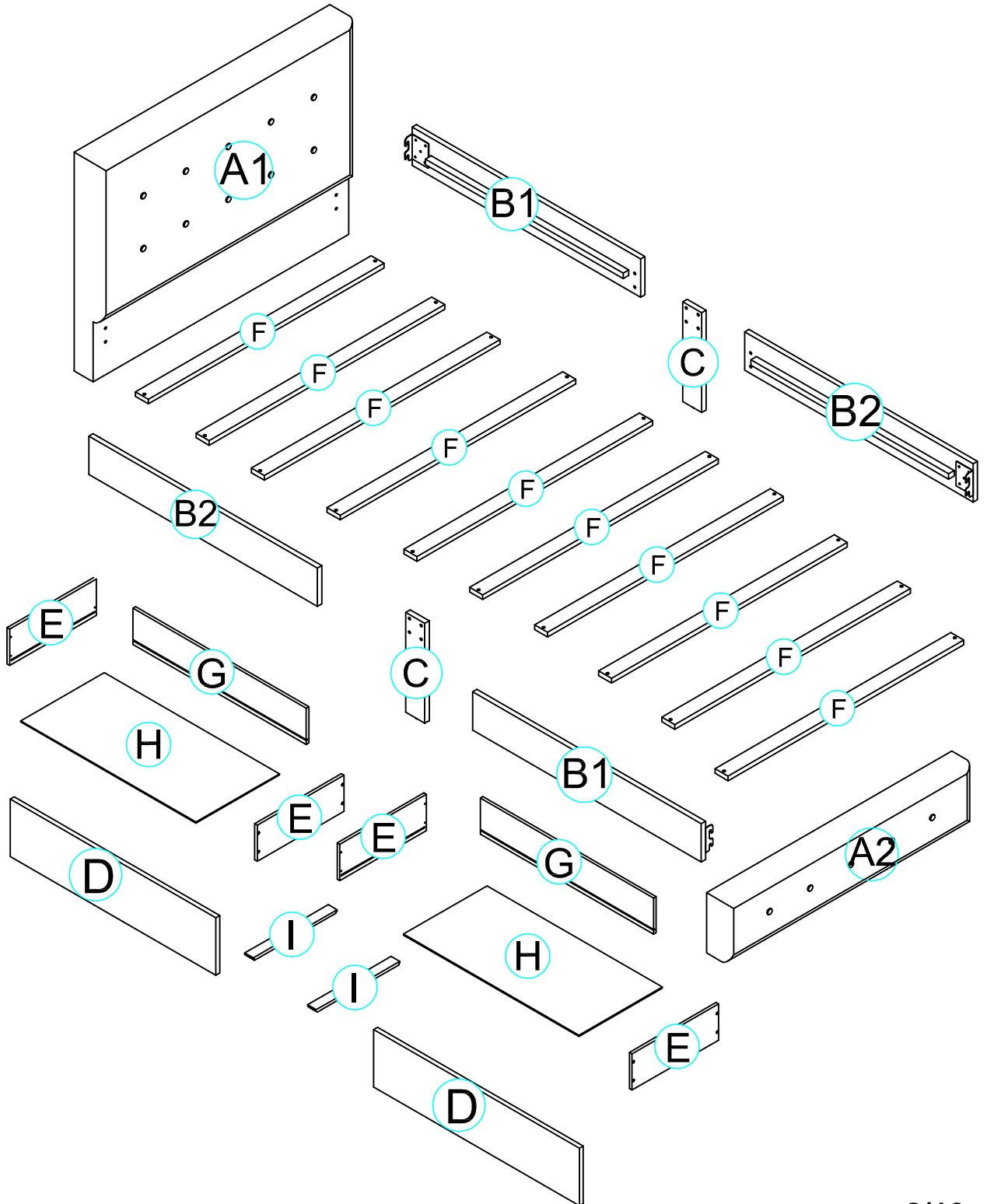
SKU CODE: (WF298240)



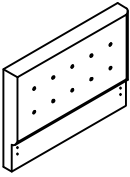
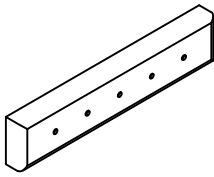
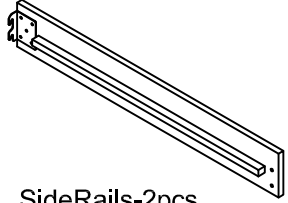
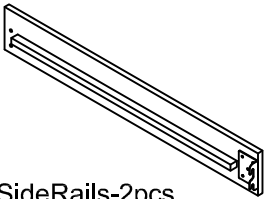

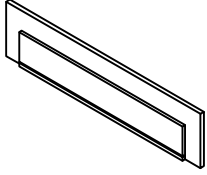
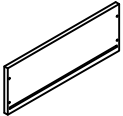
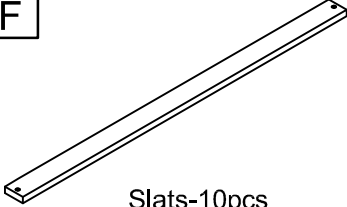
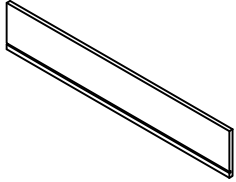
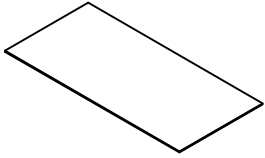
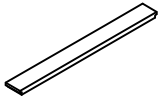
! SAFETY WARNINGS !

1. This bed is designed for use TWIN Mattress 74 inch Long and 38 inch Wide
2. Always use the recommended size mattresses or mattress supports, or both, to help prevent the likelihood of entrapment or falls.
3. Do not allow horseplay on or under the bed and prohibit jumping on the bed
4. Do not use substitute parts. Contact the manufacturer or dealer for replacement parts.
5. Keep these instructions for future reference

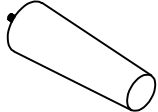
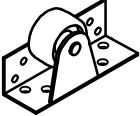



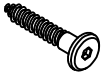

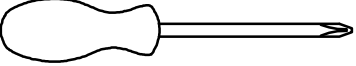
ASSEMBLY INSTRUCTION



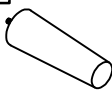
Part List (WF298240)

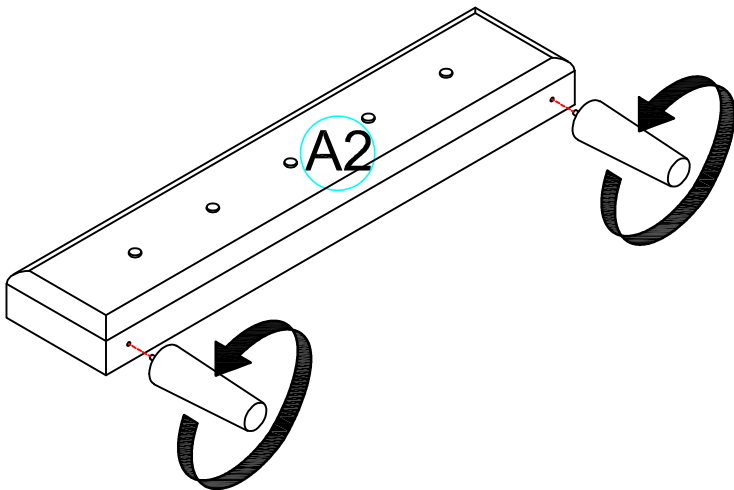
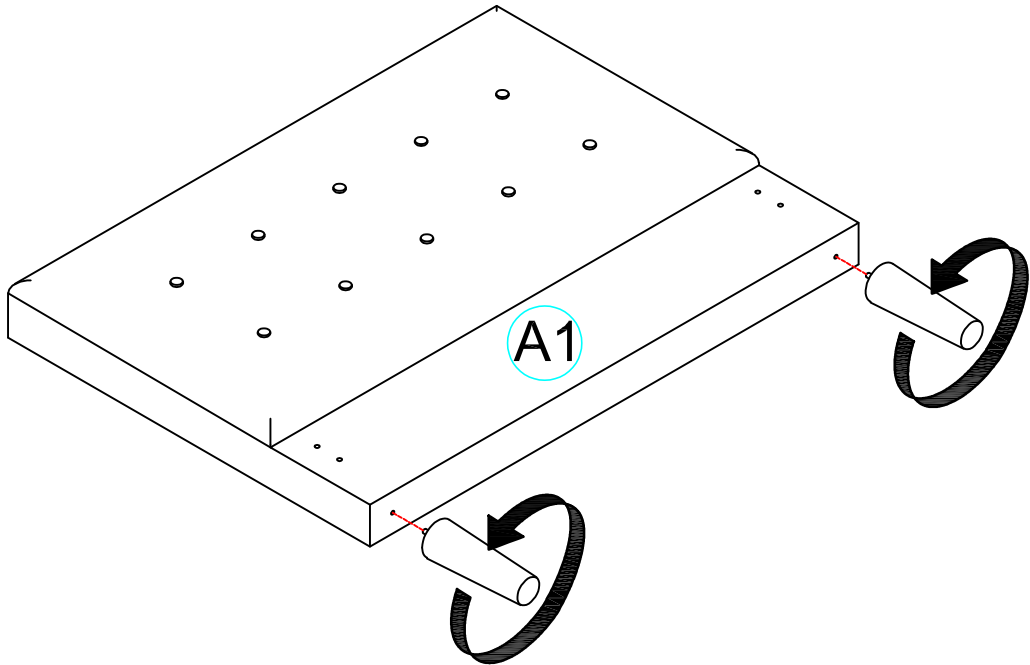
<p>A1</p>  <p>Head Board-1pcs</p>	<p>A2</p>  <p>Foot Board-1pcs</p>	<p>B1</p>  <p>Side Rails-2pcs</p>
<p>B2</p>  <p>Side Rails-2pcs</p>	<p>C</p>  <p>Legs Side Rails-2pcs</p>	<p>D</p>  <p>Drawers-Font Panel-2pcs</p>
<p>E</p>  <p>Drawers-Side Panel-4pcs</p>	<p>F</p>  <p>Slats-10pcs</p>	<p>G</p>  <p>Drawers-Back Panel-2pcs</p>
<p>H</p>  <p>Drawers-Bottom Panel-2pcs</p>	<p>I</p>  <p>Drawers-Support Panel-2pcs</p>	

Hardware List

<p>1</p>  <p>Plastic Feet(Ø70x200) 4pcs</p>	<p>2</p>  <p>Wheels 8pcs</p>	<p>3</p>  <p>M4 x 15 mm Wood Screws 16pcs</p>
<p>4</p>  <p>M4 x 30 mm Wood Screws 36pcs</p>	<p>5</p>  <p>Ø1/4" x 35mm Hex-Head bolts 8pcs</p>	<p>6</p>  <p>Ø1/4" x 25mm Hex-Head bolts 8pcs</p>
<p>7</p>  <p>Allen Key 1pcs</p>	<p>Assembly Tools Required (Not Included) 3/10</p> 	

STEP 1: Following below illustration Assembly Plastic Feet(#1) With Headboard and Footboard use HW #2

1	
4pcs	

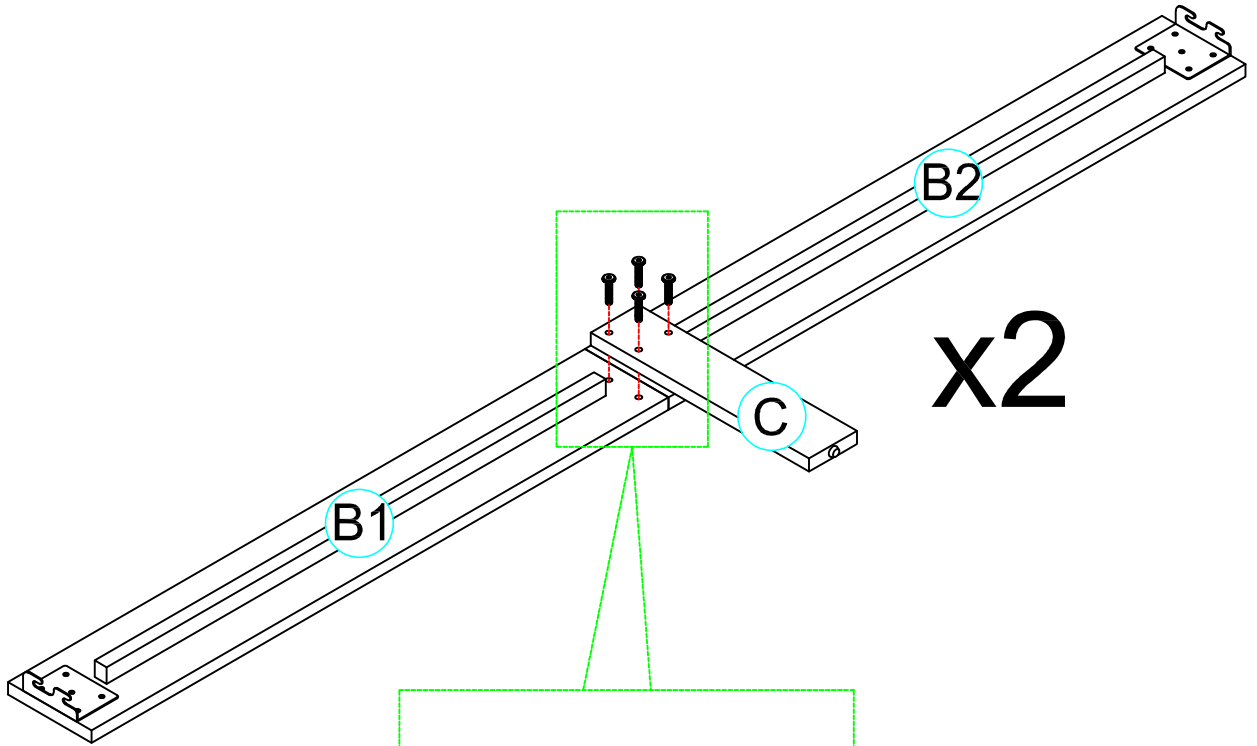


STEP 2: Following below illustration.

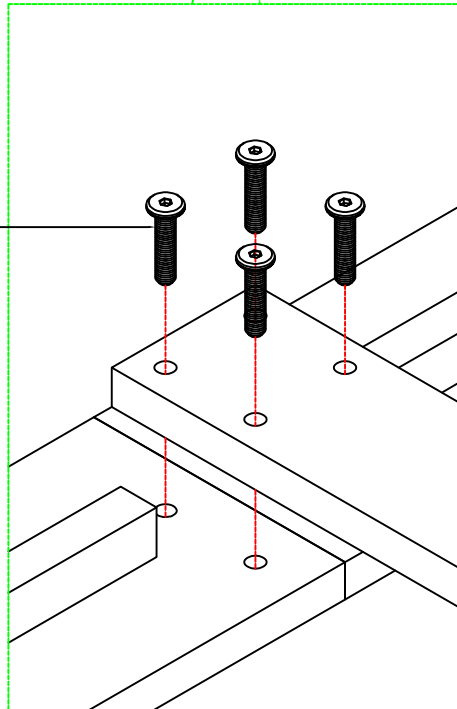
5



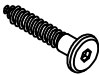
8pcs

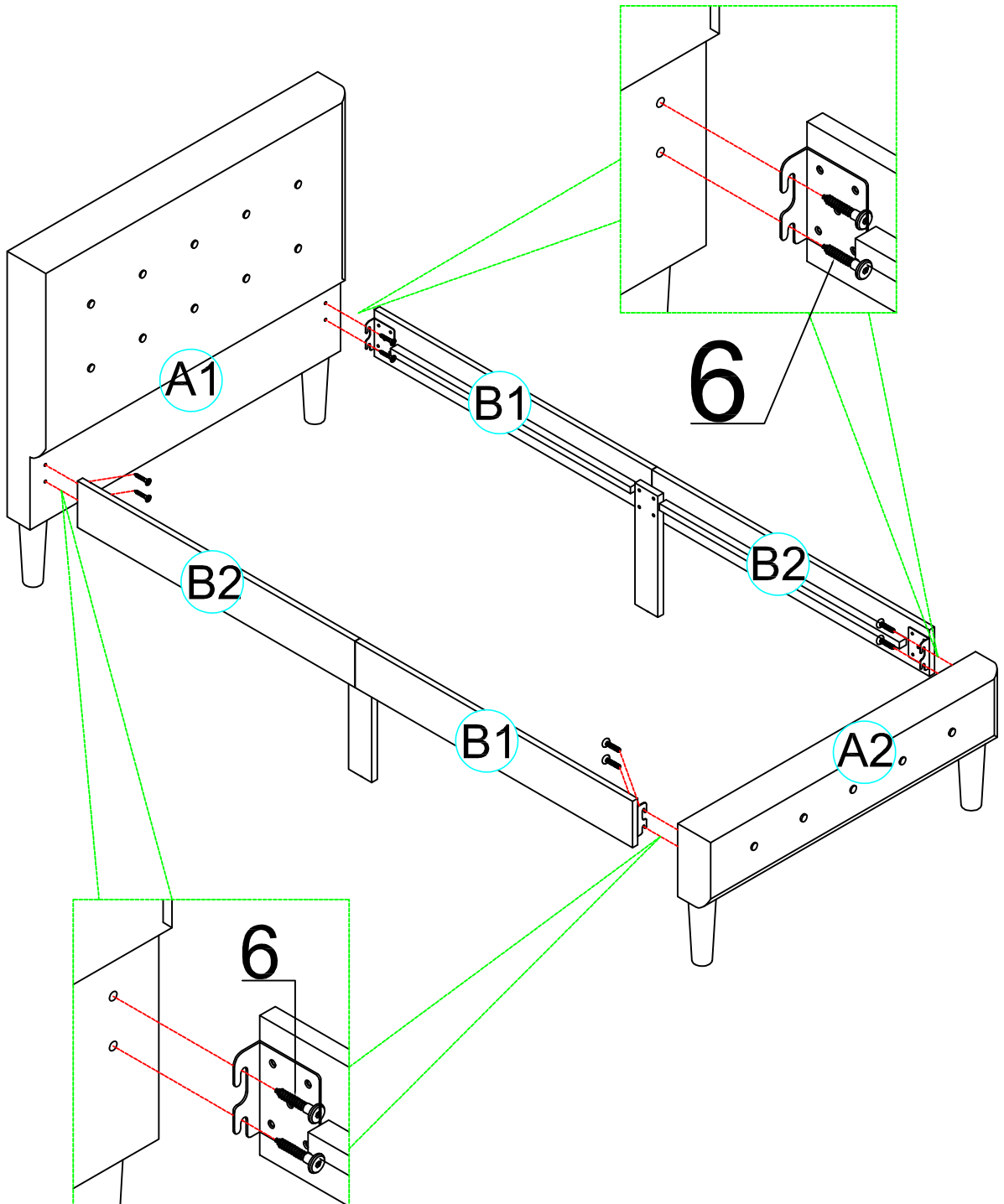


5



STEP 3: Following below illustration

6

8pcs



STEP 4:

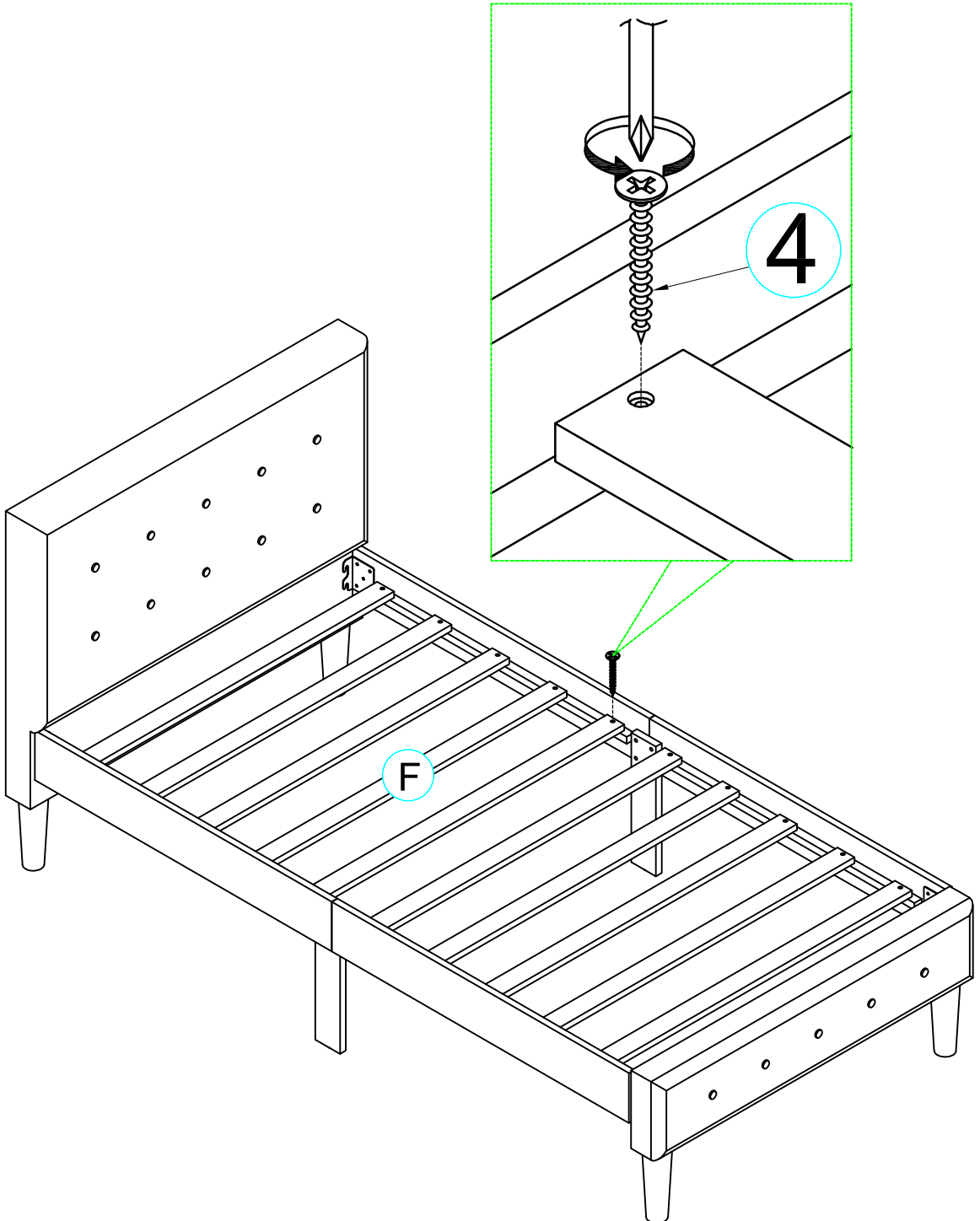
Following below illustration:

- Screw 10 slats F with Side Rail B by using hardware #4.
- Look at detail view for more detail


4

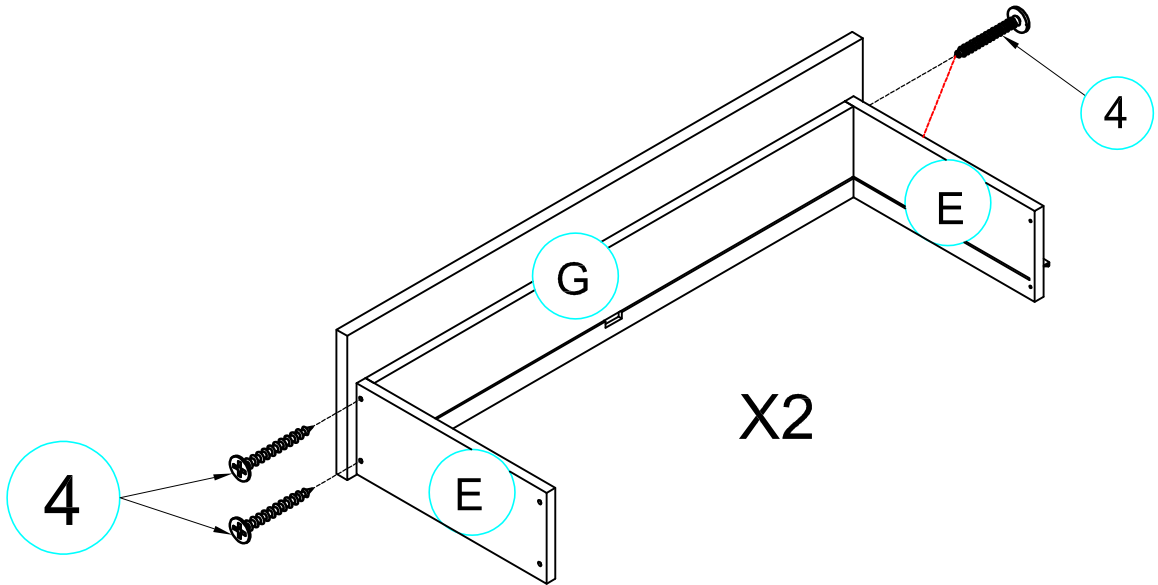


20pcs

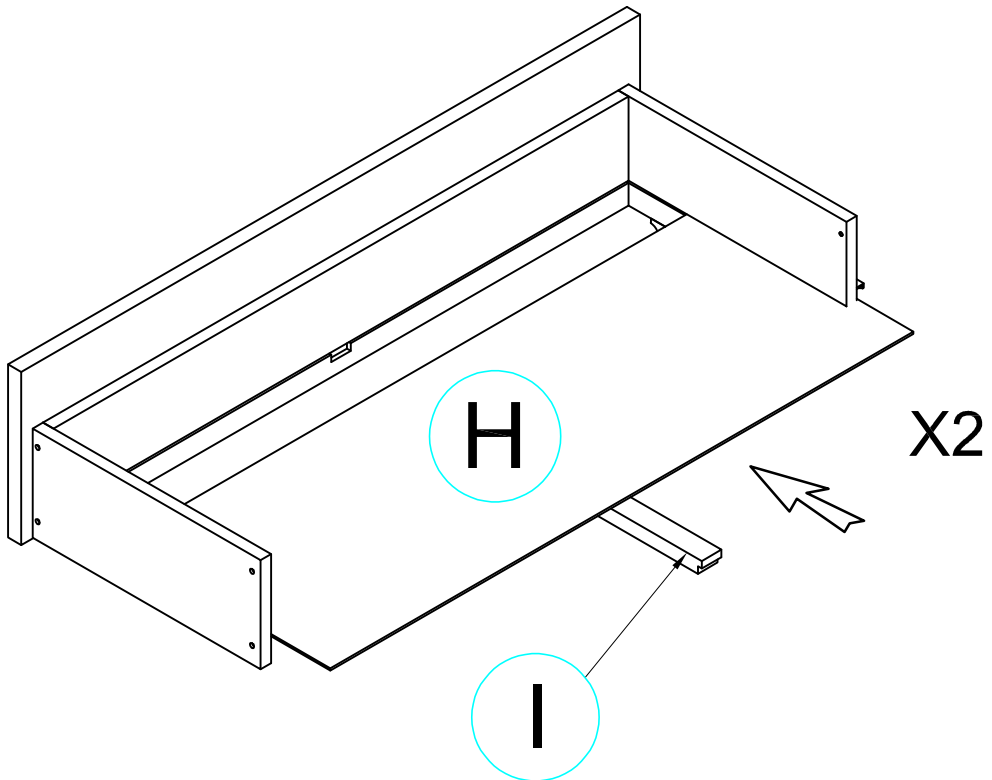


STEP 5-1: Following below illustration:

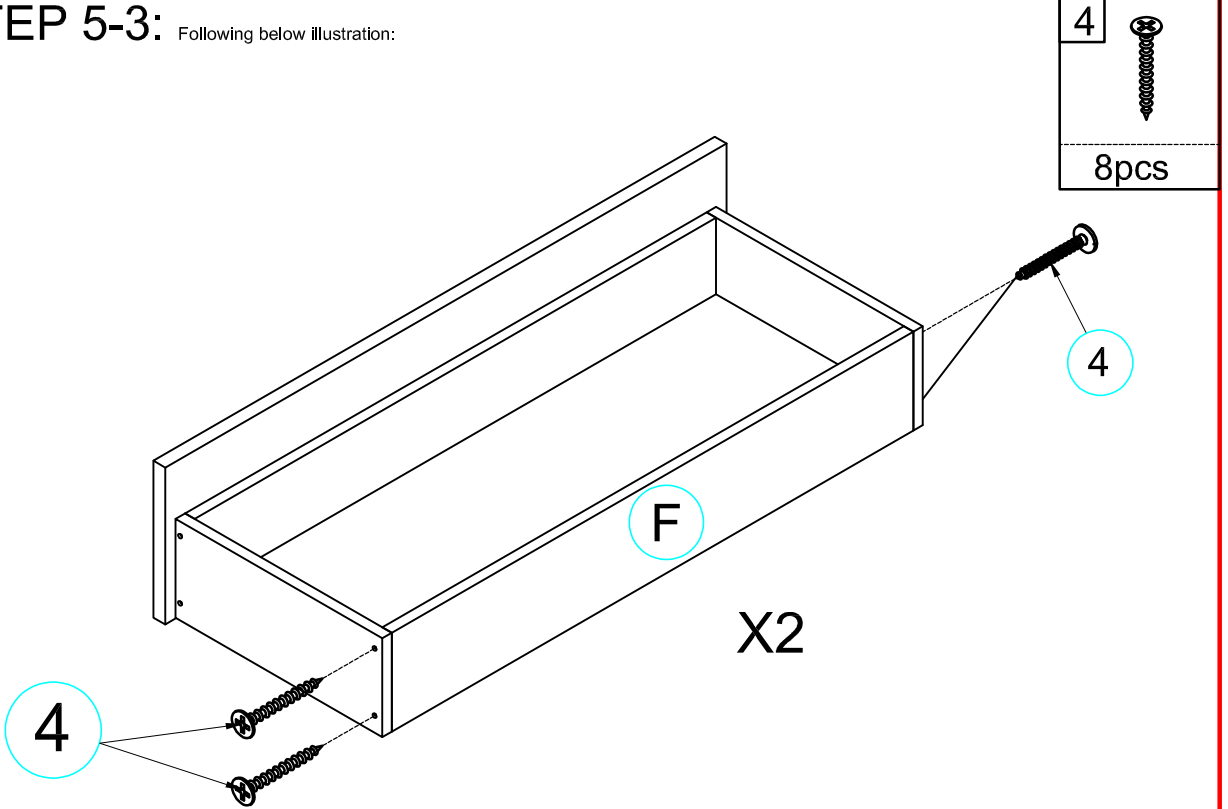
4	
8pcs	



STEP 5-2: Following below illustration:

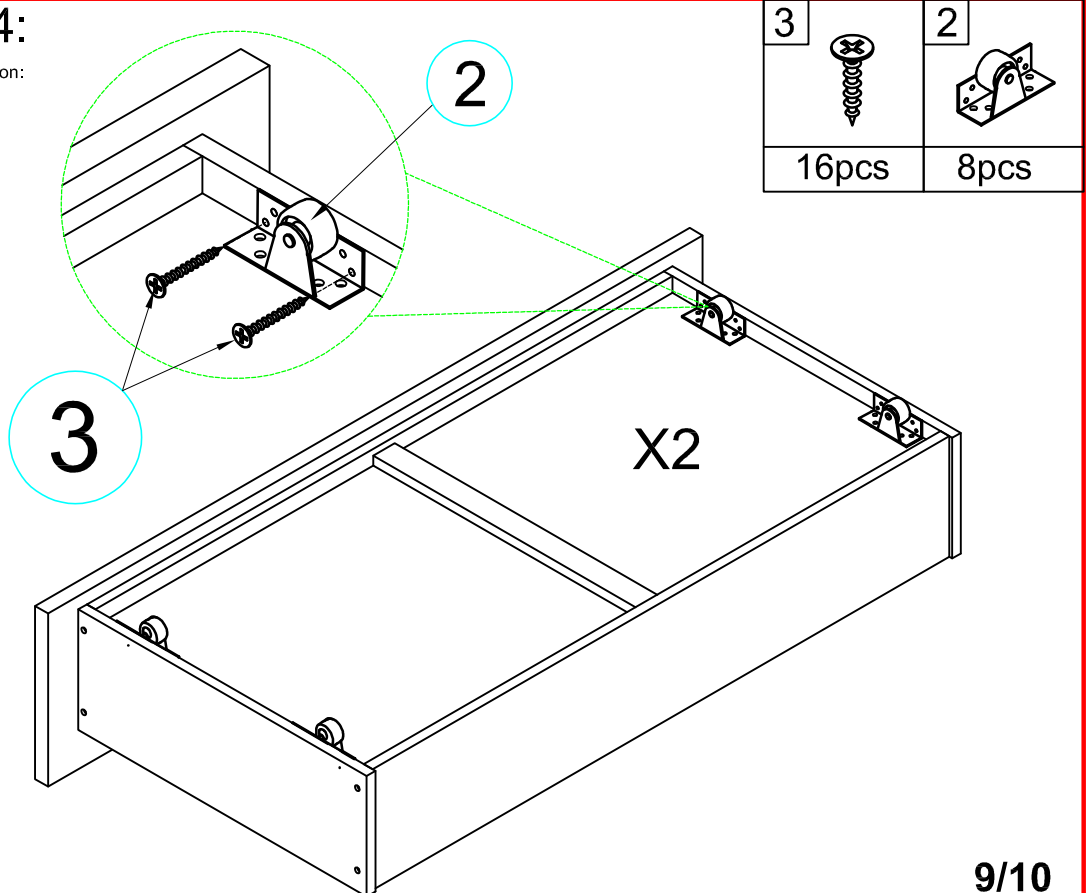


STEP 5-3: Following below illustration:



STEP 5-4: Following below illustration:

Following below illustration:



FINISH

