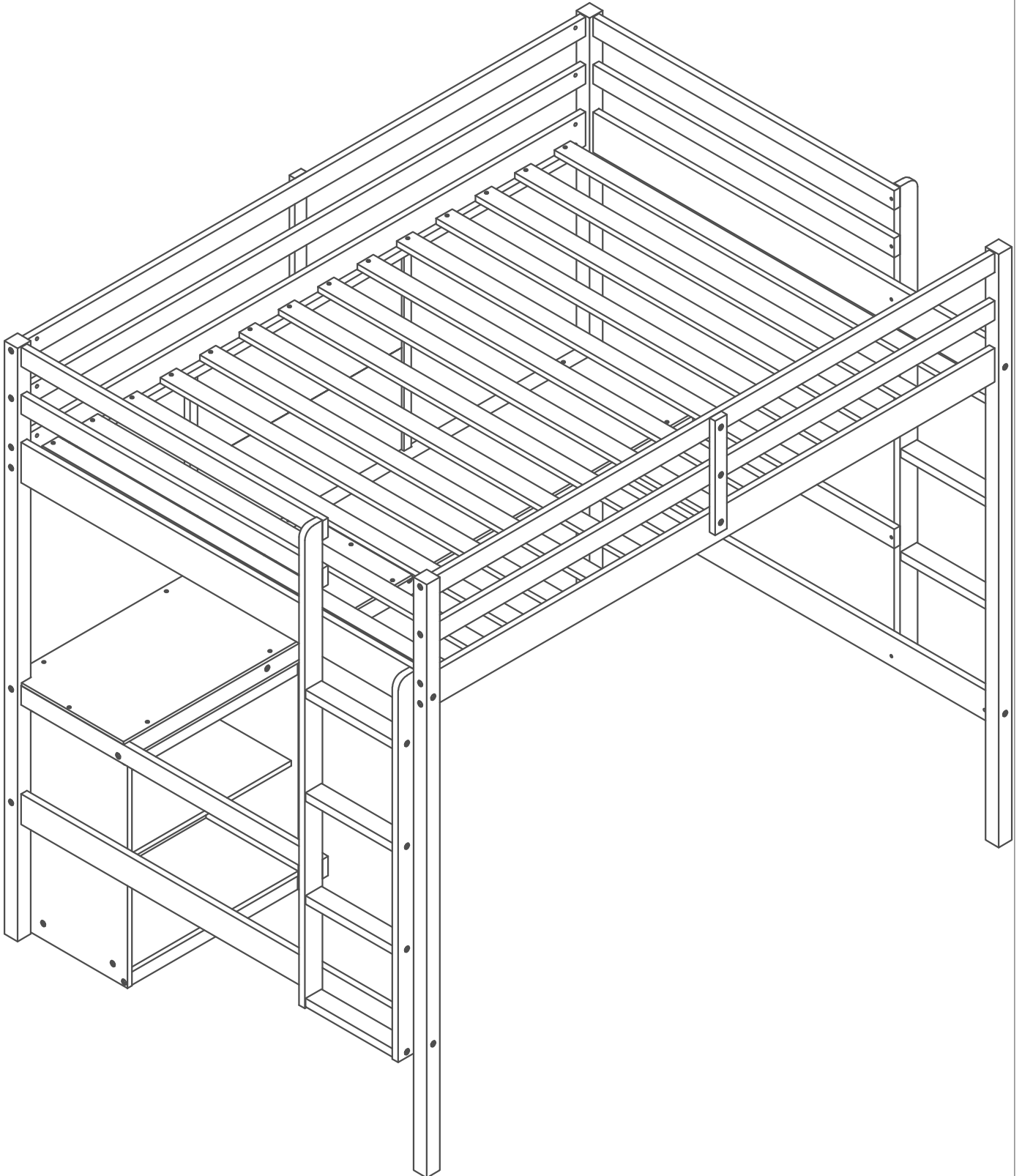


ASSEMBLY INSTRUCTION

SKU CODE: (WF297685-WF297686)

This set is included 2 boxes if don't receive full 2 boxes please contact our customer service team



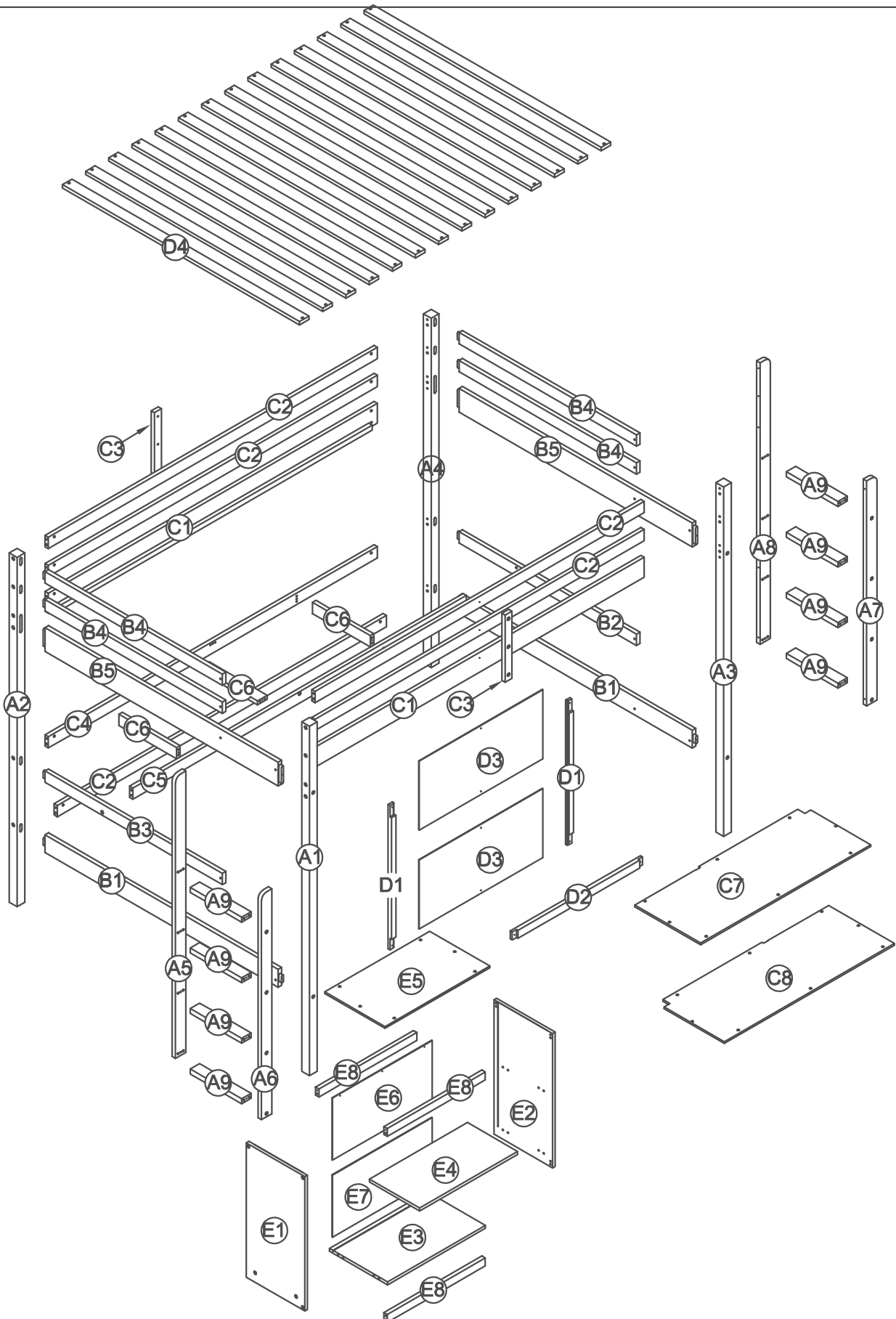
! SAFETY WARNINGS !

1. This bed is designed for use only mattress (es) meeting the following specifications on the upper bunk, and lower bunk









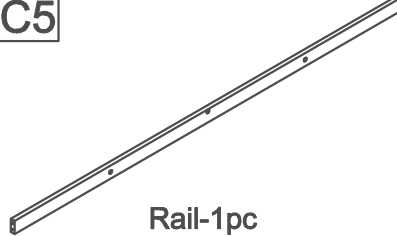
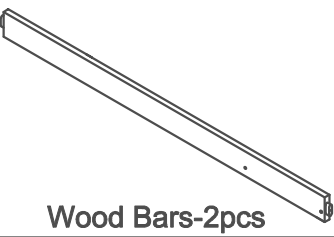
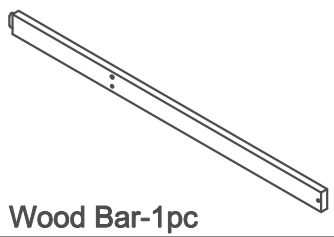
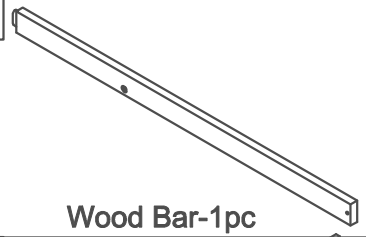
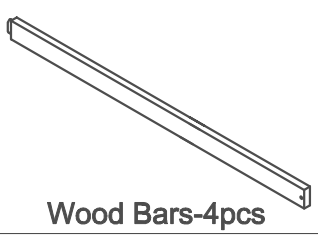
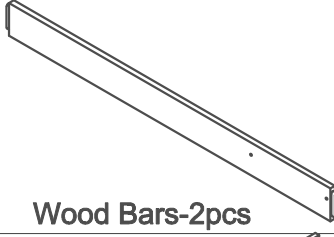
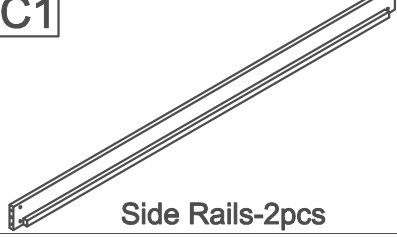
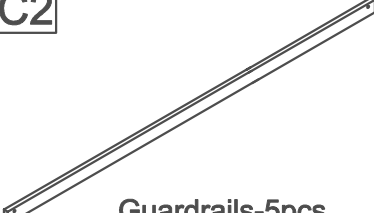
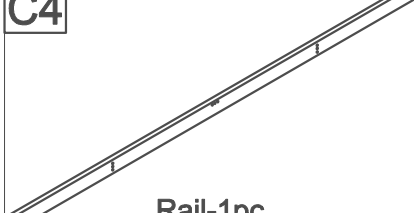
Upper bed Bed Type	Length	Width	Thickness
<i>Twin Standard</i>	<i>74" - 75"</i>	<i>38 1/2"</i>	<i>6" max</i>

2. Replacement parts, including additional guardrails, maybe obtained from any of our (GIGACLOUD TECHNOLOGY (USA) INC. 18961 ARENTH AVENUE CITY OF INDUSTRY, CA, 91748) dealers
3. Follow the information on the warnings appearing on the upper bunk bed end structure and on the carton. Do not remove warning label from bed
4. Always use the recommended size mattresses or mattress supports, or both, to help prevent the likelihood of entrapment or falls.
5. Surface of mattress must be at least 5" (127mm) below the upper edge of guardrails
6. Do not allow children under 6 years of age to use the upper bunk.
7. Periodically check and ensure that the guardrail, ladder, and other components are in their proper position, free from damage, and that all connectors are tight.
8. Do not allow horseplay on or under the bed and prohibit jumping on the bed.
9. Always use the ladder for entering and leaving the upper bunkAlways use the ladder for entering and leaving the upper bunk.
10. Do not use substitute part. Contact the manufacture or dealer for replacement part
11. Use of a night light may provide added safety precaution for a child using the upper bunk..
12. Always use guardrails on both long sides of the upper bunk. If the bunk bed will be placed next to the wall, the guardrail that runs the full length of the bed should be placed against the wall to prevent entrapment between the bed and wall.
13. The use of water or sleep flotation mattresses is prohibited
14. STRANGULATION HAZARD - Never attach or hang items to any part of the bunk bed that are not designed for use with the bed; for example, but not limited to, hook, belts and jump ropes
15. Keep these instruction for future reference
16. Prohibit more than one person on upper bunk
17. We recommend assembling your bunk bed on the shipping carton to protect your floor or carpet
18. Be certain all staples are out of the box before beginning assembly on the shipping carton.

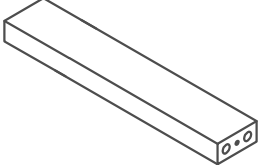


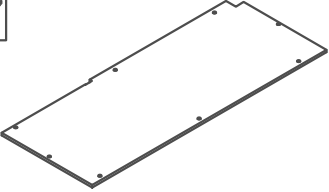
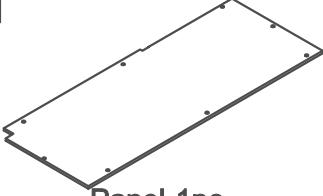

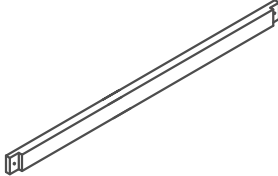
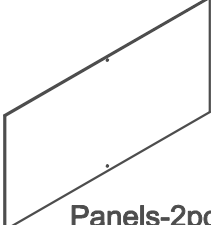
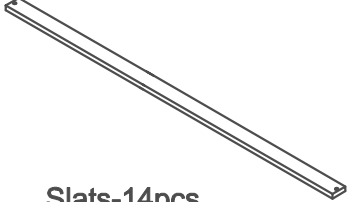


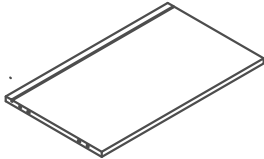
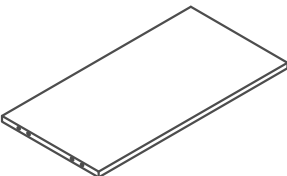
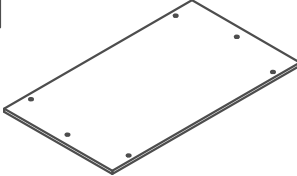
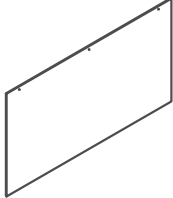
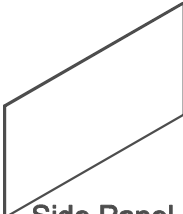
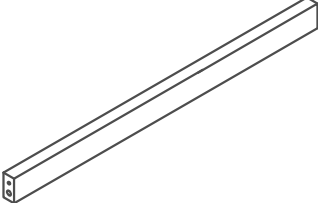
ASSEMBLY INSTRUCTION



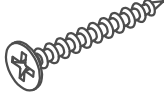
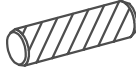



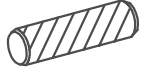
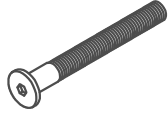

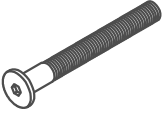
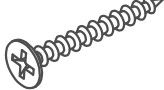



Part List & Hardware List (Box 1-WF297685)

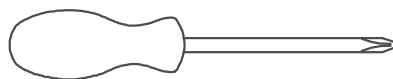
<p>A1</p>  <p>Leg-1pc</p>	<p>A2</p>  <p>Leg-1pc</p>	<p>A3</p>  <p>Leg-1pc</p>
<p>A4</p>  <p>Leg-1pc</p>	<p>A5</p>  <p>Side Stair-1pc</p>	<p>A6</p>  <p>Side Stair-1pc</p>
<p>A7</p>  <p>Side Stair-1pc</p>	<p>A8</p>  <p>Side Stair-1pc</p>	<p>C5</p>  <p>Rail-1pc</p>
<p>B1</p>  <p>Wood Bars-2pcs</p>	<p>B2</p>  <p>Wood Bar-1pc</p>	<p>B3</p>  <p>Wood Bar-1pc</p>
<p>B4</p>  <p>Wood Bars-4pcs</p>	<p>B5</p>  <p>Wood Bars-2pcs</p>	<p>C1</p>  <p>Side Rails-2pcs</p>
<p>C2</p>  <p>Guardrails-5pcs</p>	<p>C4</p>  <p>Rail-1pc</p>	

Part List (Box 2-WF297686)

A9  Step Stairs-8pcs	C3  Rails-2pcs	C6  Rails-3pcs
C7  Panel-1pc	C8  Panel-1pc	D1  Rails-2pcs
D2  Rail-1pc	D3  Panels-2pcs	D4  Slats-14pcs
E1  Side Panel-1pc	E2  Side Panel-1pc	E3  Side Panel-1pc
E4  Side Panel-1pc	E5  Side Panel-1pc	E6  Side Panel-1pc
E7  Side Panel-1pc	E8  Rails-3pcs	

Hardware List(Box 1-WF297685)

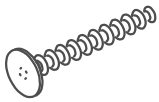

<p>1</p>  <p>M4 x 20 mm Wood Screws 28pcs</p>	<p>2</p>  <p>Ø10 x 40 mm Wood dowel 50pcs</p>	<p>3</p>  <p>Screws 1/4" x50 42pcs</p>
<p>4</p>  <p>Screws 1/4"x70 12pcs</p>	<p>5</p>  <p>Screws 1/4" x30 6pcs</p>	<p>6</p>  <p>Ø8 x 30 mm Wood dowel 26pcs</p>
<p>7</p>  <p>Ø1/4" x 90 mm Hex-Head bolts 20pcs</p>	<p>8</p>  <p>Ø1/4" x 13 mm Horizontal-Hole bolts 22pcs</p>	<p>9</p>  <p>Ø1/4" x 60 mm Hex-Head bolts 2pcs</p>
<p>10</p>  <p>M4 x 30 mm Wood Screws 28pcs</p>	<p>11</p>  <p>M4 x 15 mm Wood Screws 8pcs</p>	<p>12</p>  <p>Ø1/4" x 30 mm Hex-Head bolts 8pcs</p>
<p>13</p>  <p>Allen Key 1pc</p>		

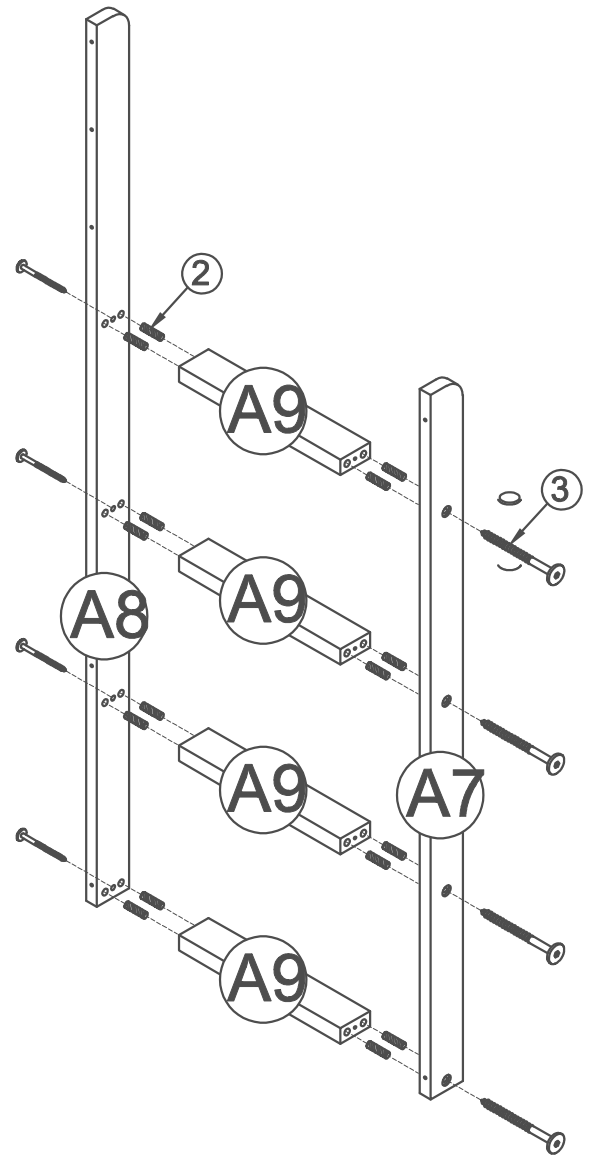
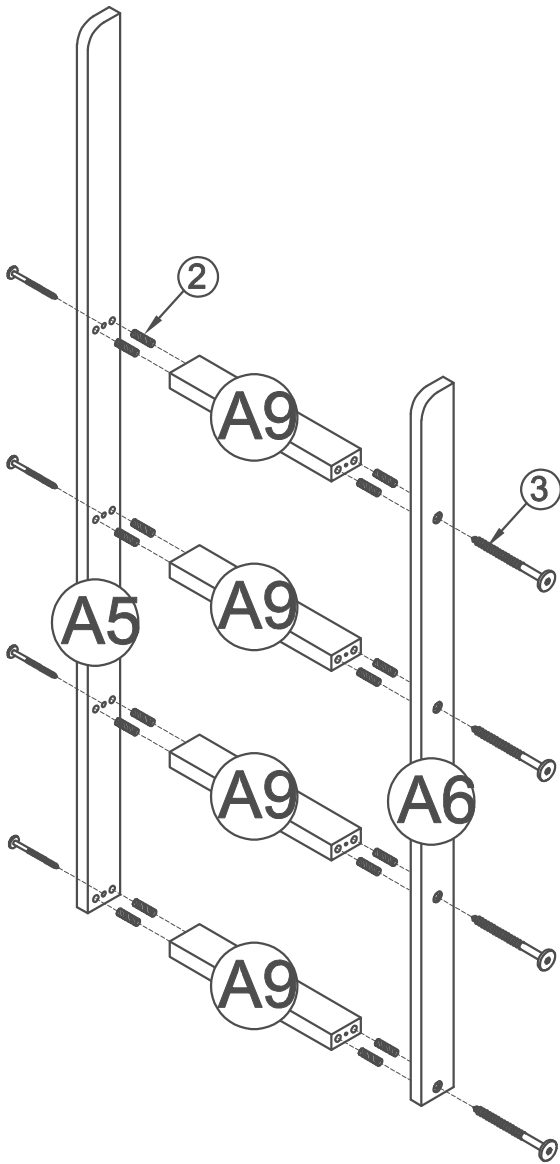


Assembly Tools Required (Not Included)

STEP 1: Following below illustration:.



- Using hardware #3 and Dowel 2 to connect A5,A6 Side Stairs with Step Stair A9(x4)
- Using hardware #3 and Dowel 2 to connect A7,A8 Side Stairs with Step Stair A9(x4)

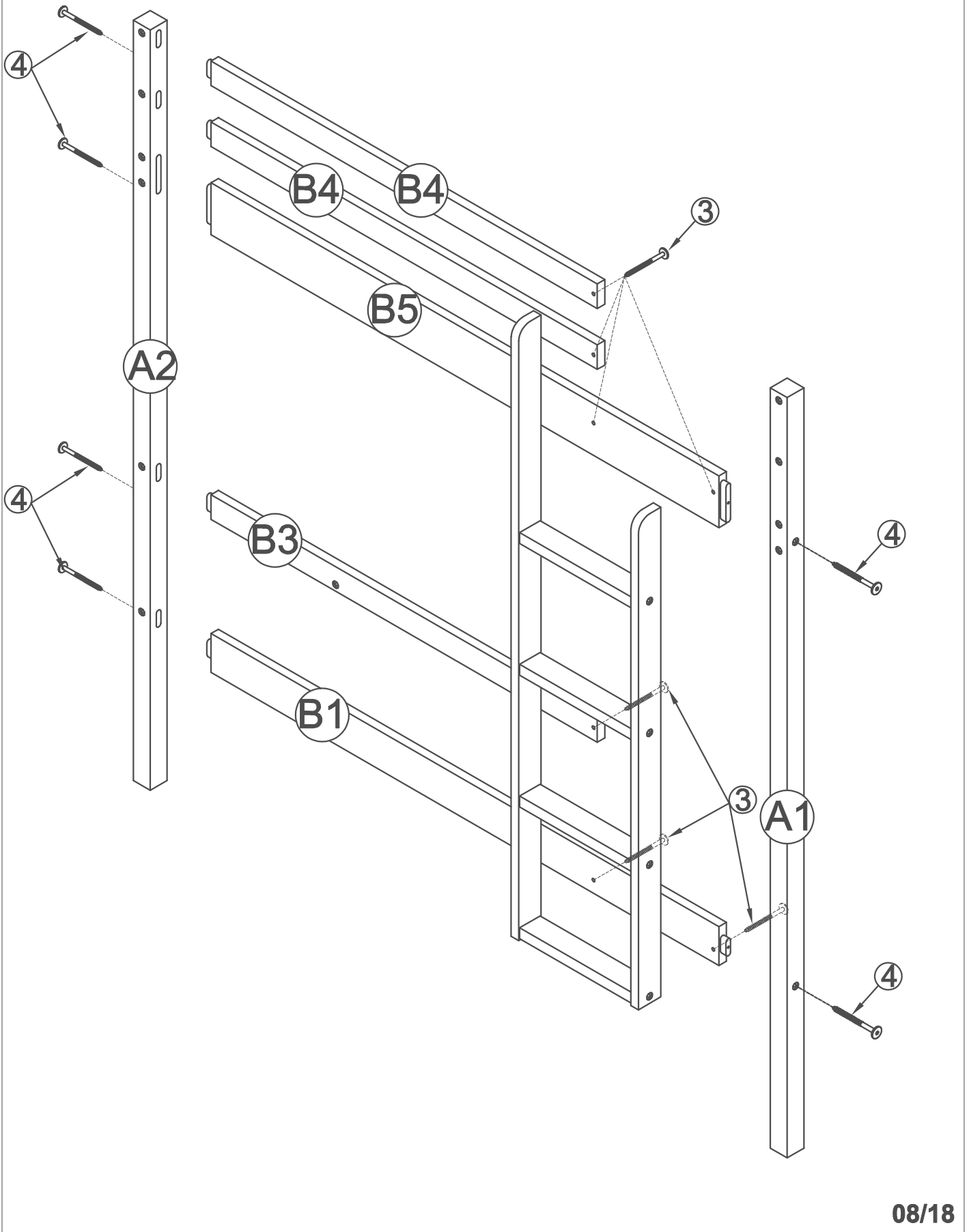
3	
16pcs	
2	
32pcs	



STEP 2: Following below illustration:

-Using hardware #3,#4 to connect A1,A2 Legs with B1,B3,B4(x2),B5 Wood Bars and Frame(Completed on step 1)



3	4
	
7pcs	6pcs

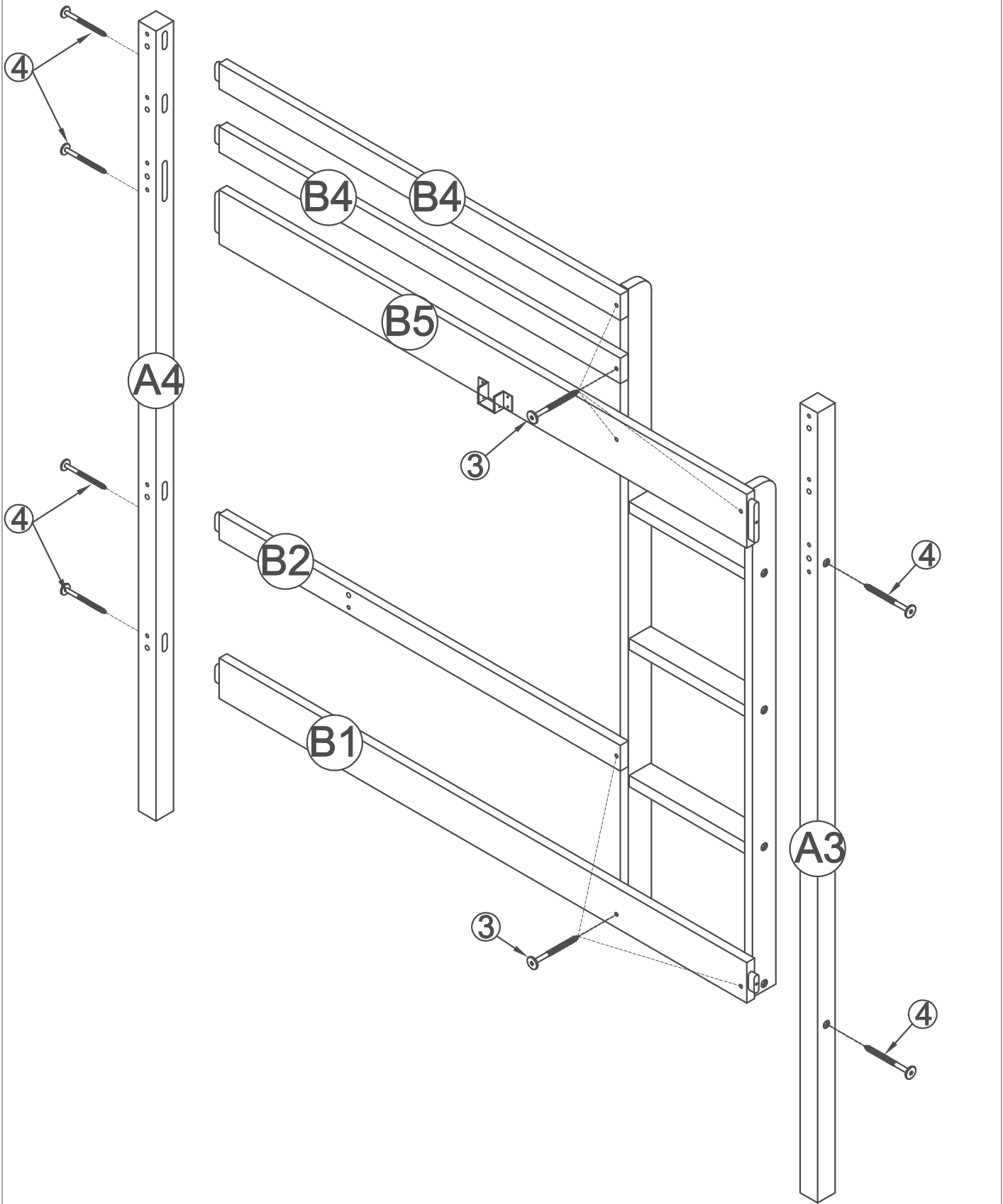


STEP 3:

Following below illustration:

-Using hardware #3,#4 to connect A3,A4 Legs with B1,B2,B4(x2),B5 Wood Bars and Frame(Completed on step 1)

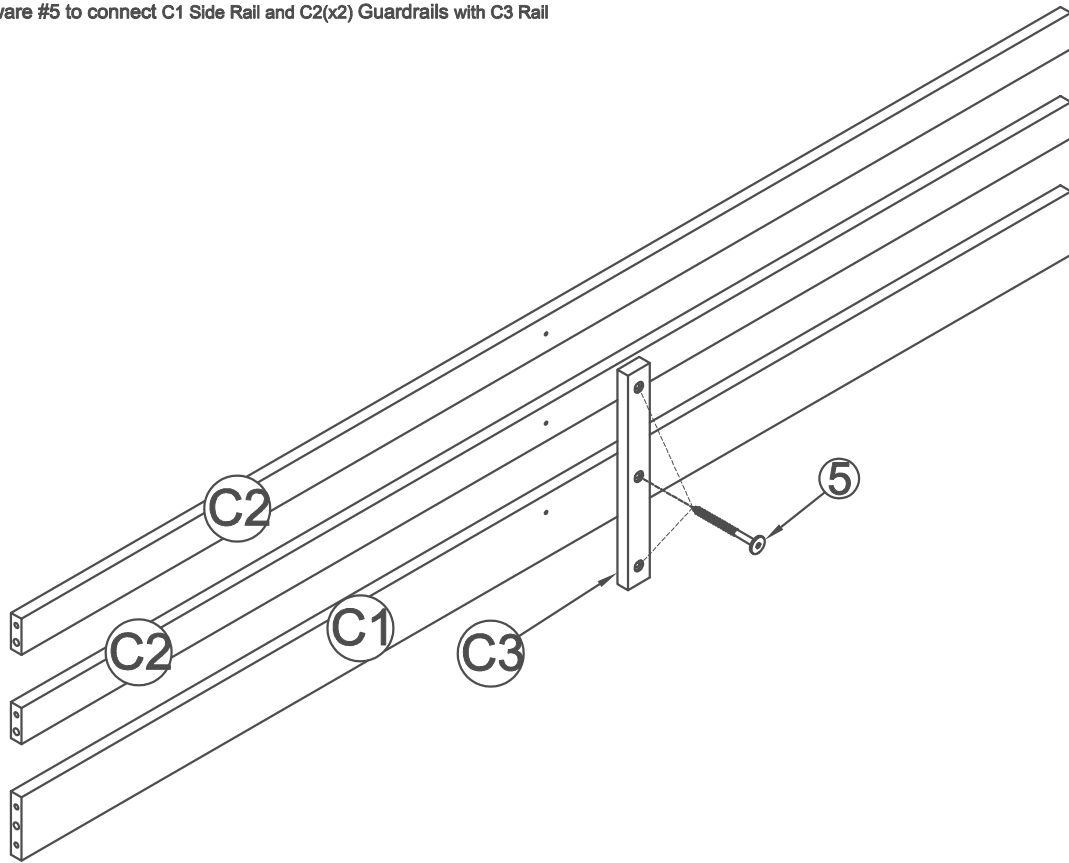
3	4
	
7pcs	6pcs



STEP 4:

Following below illustration:

-Using hardware #5 to connect C1 Side Rail and C2(x2) Guardrails with C3 Rail



5



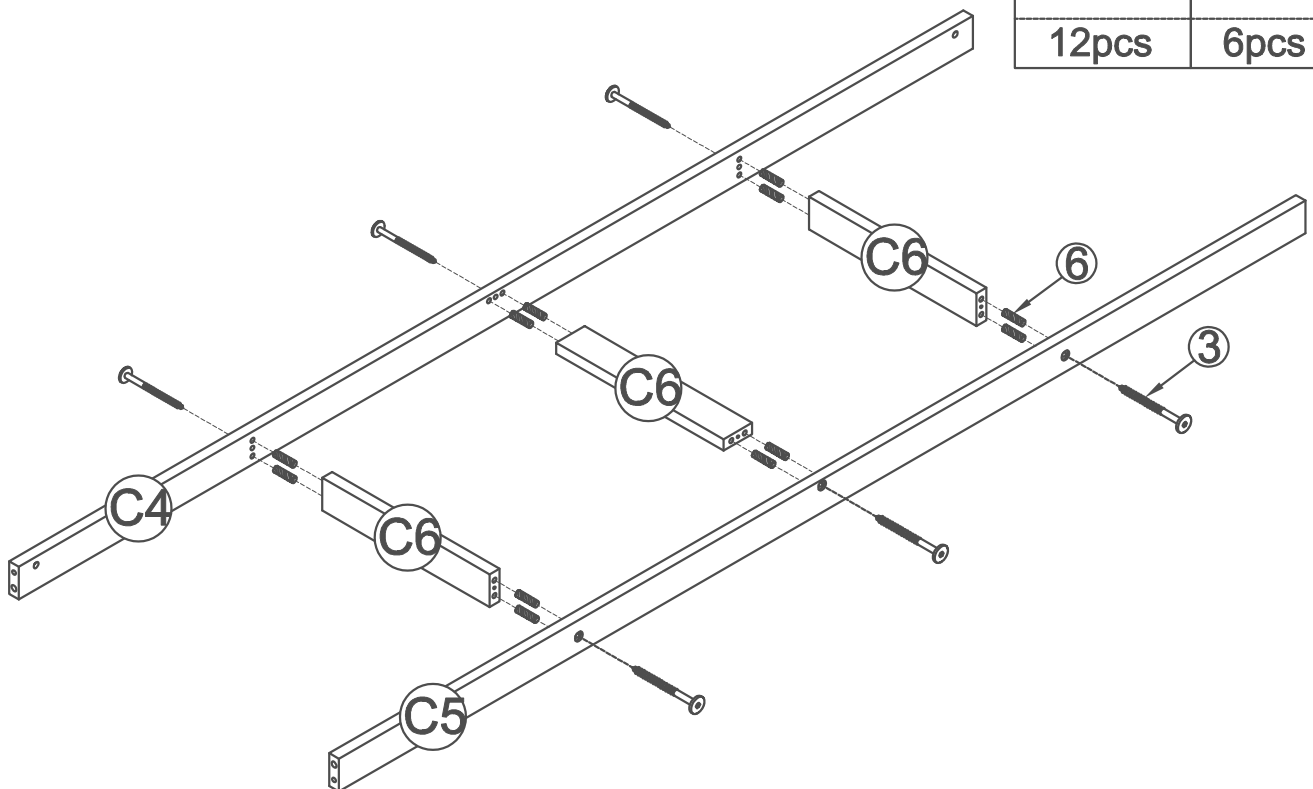
2x3pcs

x2

STEP 5:

Following below illustration:

-Using hardware #3 and Dowel 6 to connect C4,C5 Rails with C6(x3) Rails

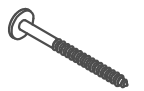


6



12pcs

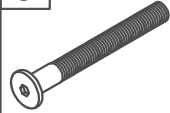
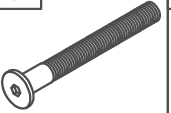


3

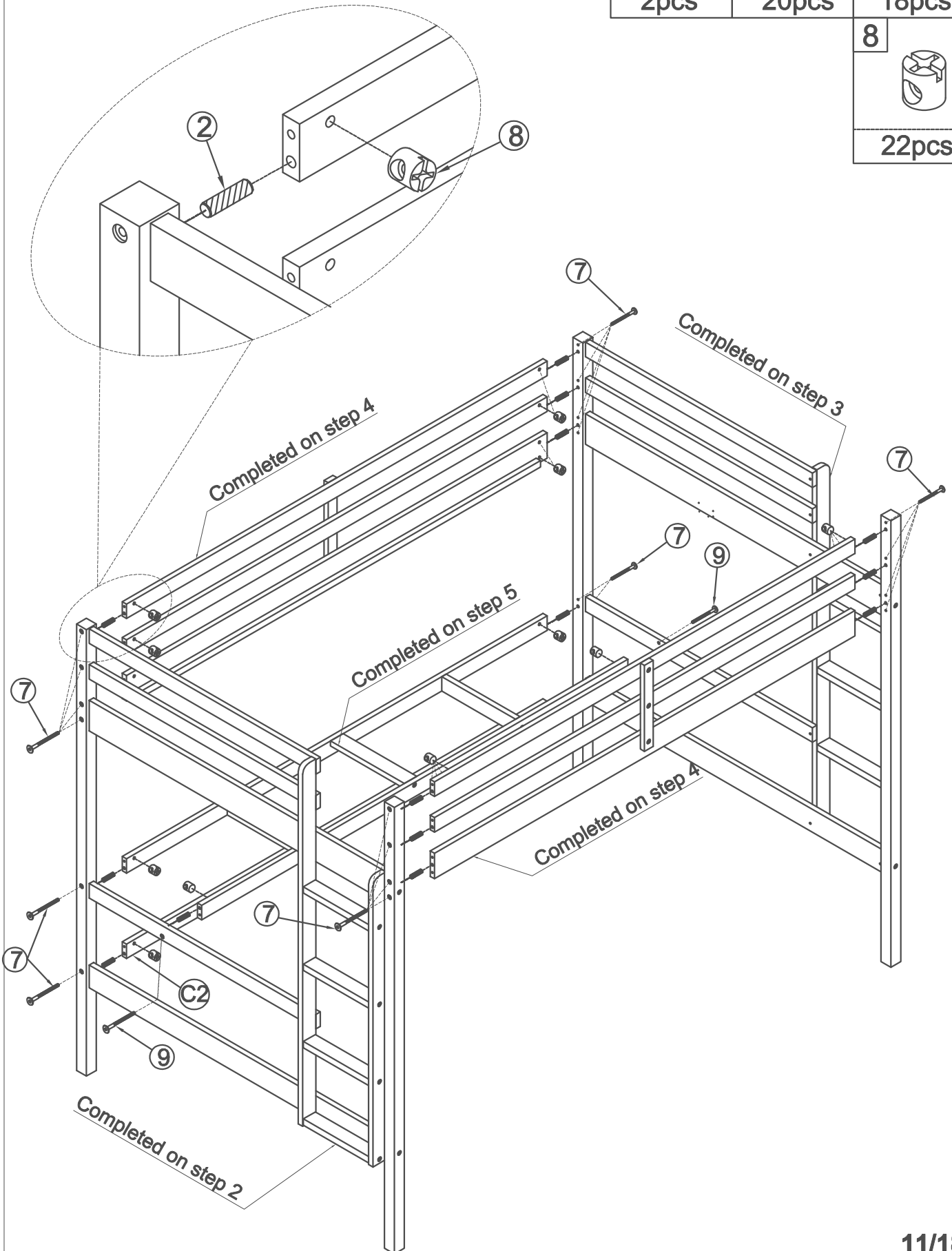


6pcs

STEP 6: Following below illustration:.

-Using hardware #7,#8,#9 and Dowel 2 connect Frames(completed on Step 2,Step 3) with Frames(completed on Step 4,Step 5) and C2 Rail

<div data-bbox="975 118 1018 159" data-label="Text">9</div> 	<div data-bbox="1161 118 1204 159" data-label="Text">7</div> 	<div data-bbox="1337 118 1380 159" data-label="Text">2</div> 
2pcs	20pcs	18pcs
<div data-bbox="1337 331 1380 371" data-label="Text">8</div> 		
22pcs		



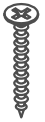
STEP 9:

Following below illustration:

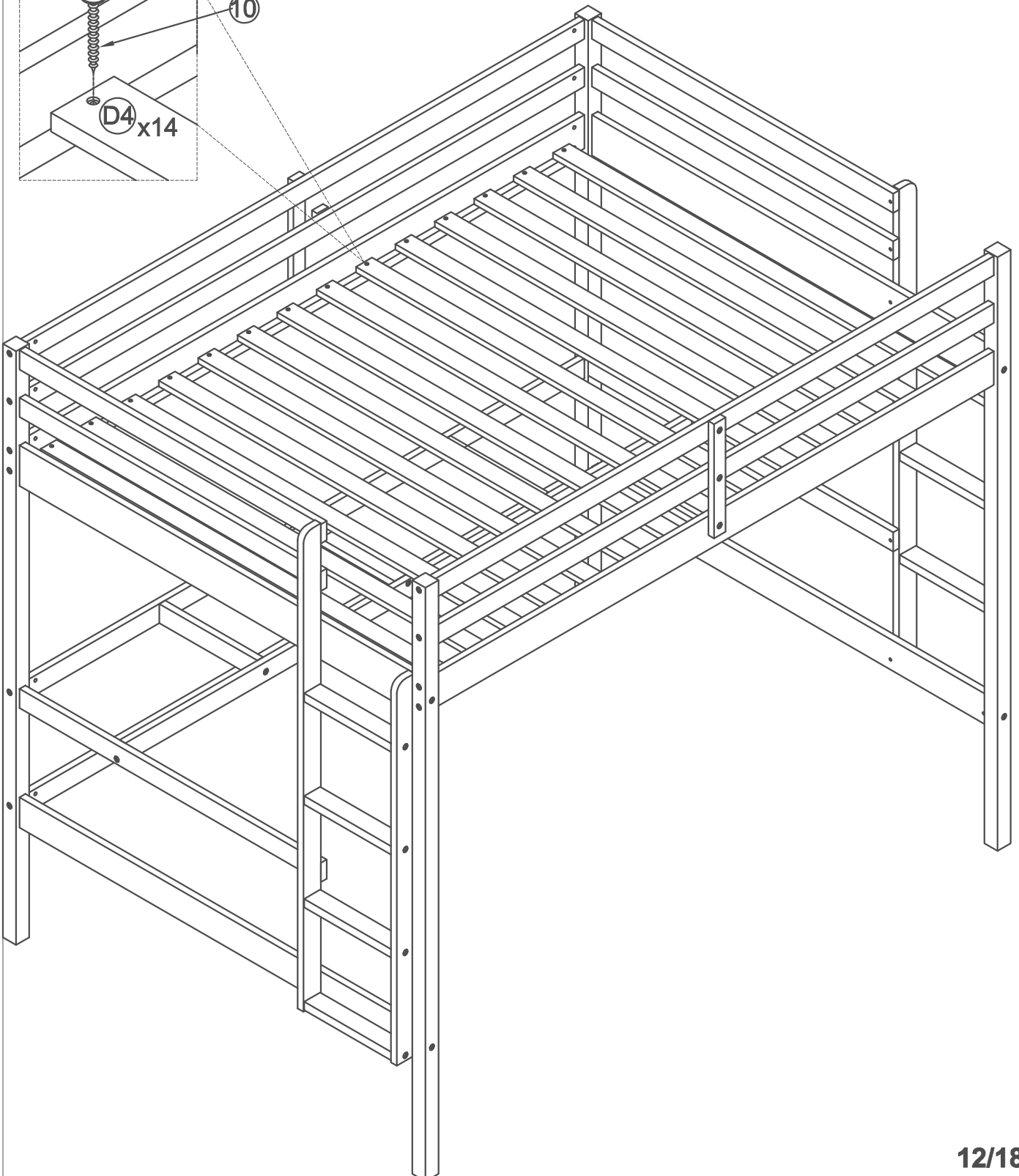
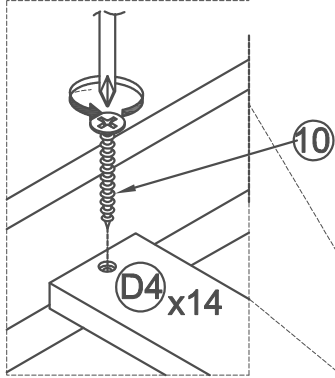
-Assembly 14 slats (D4) using hardware #10.

-Look at detail view

10



28pcs

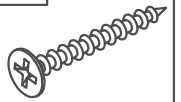


STEP 10:

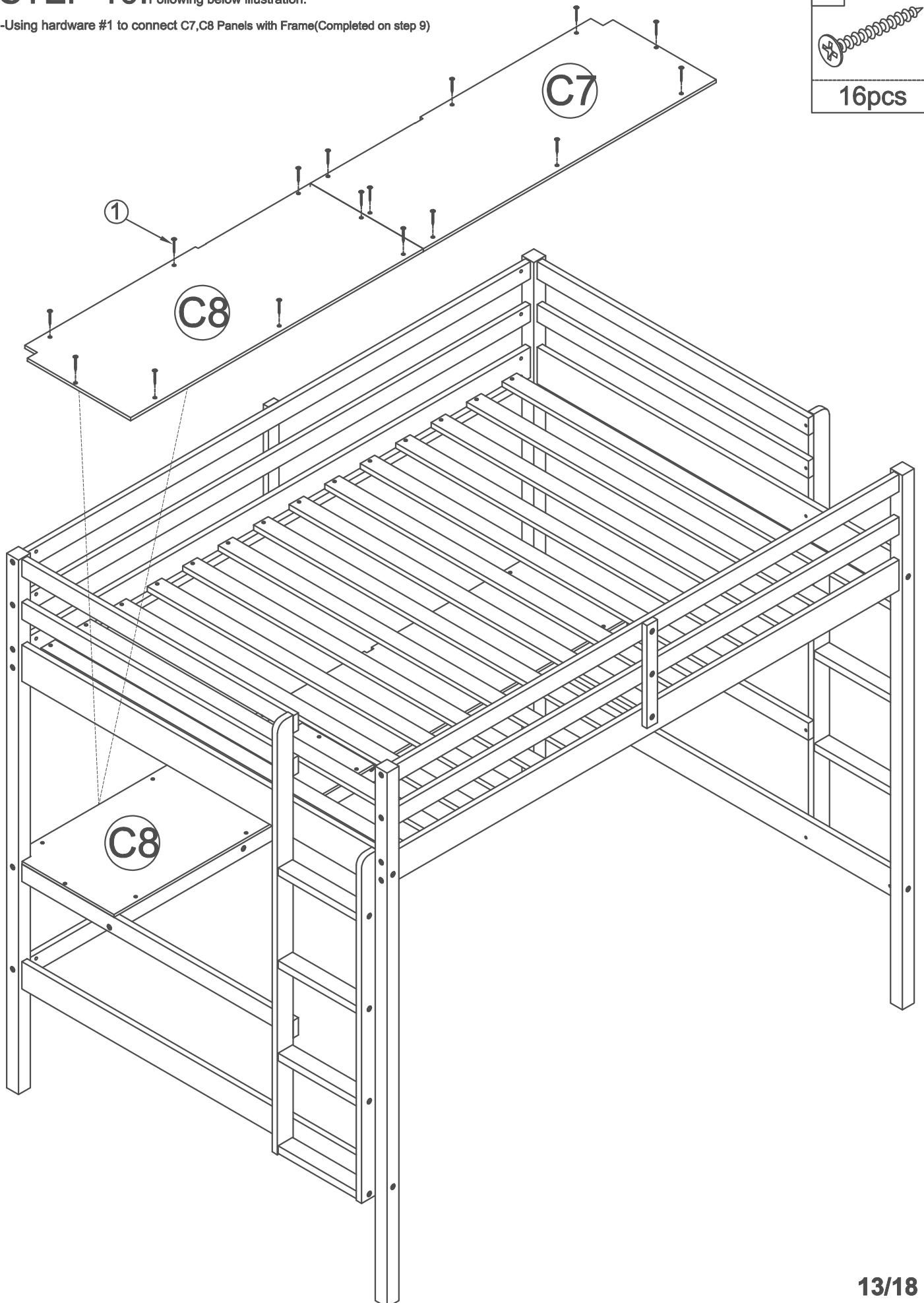
Following below illustration:

-Using hardware #1 to connect C7,C8 Panels with Frame(Completed on step 9)


1

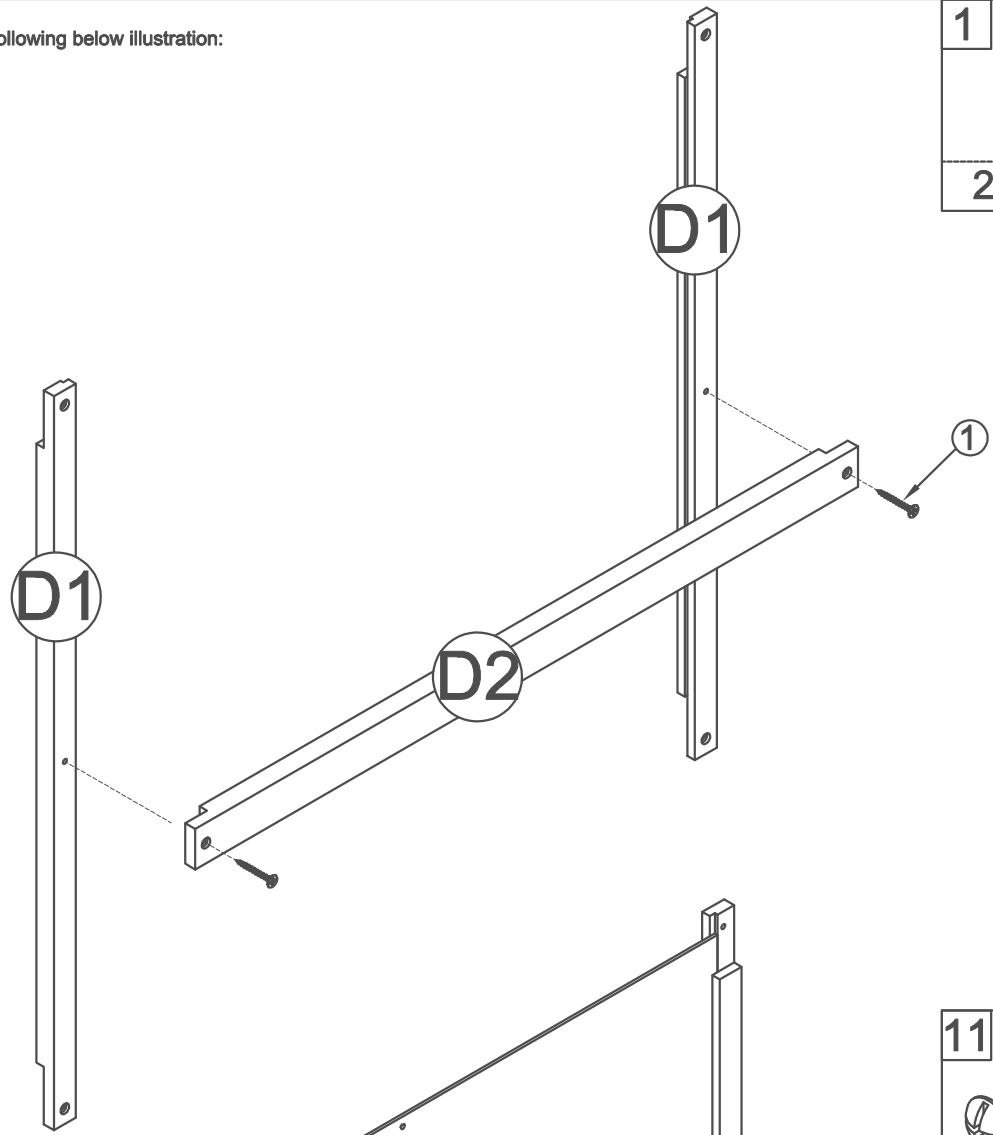



16pcs

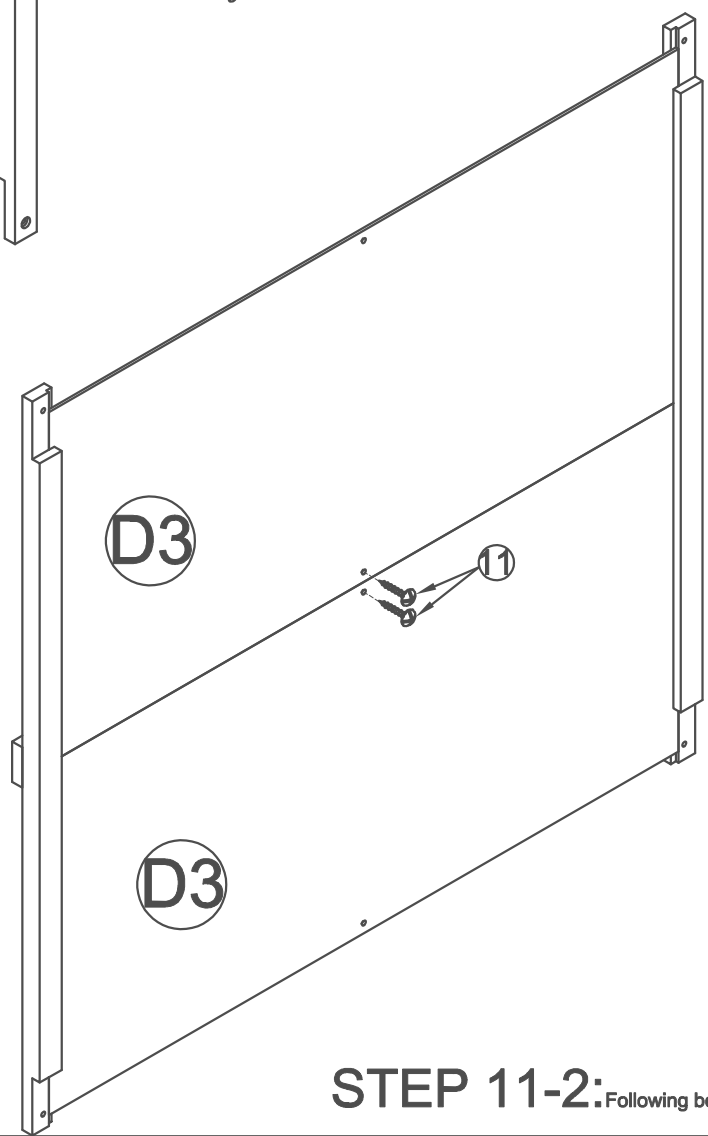


STEP 11-1: Following below illustration:

1	
2pcs	





11	
2pcs	

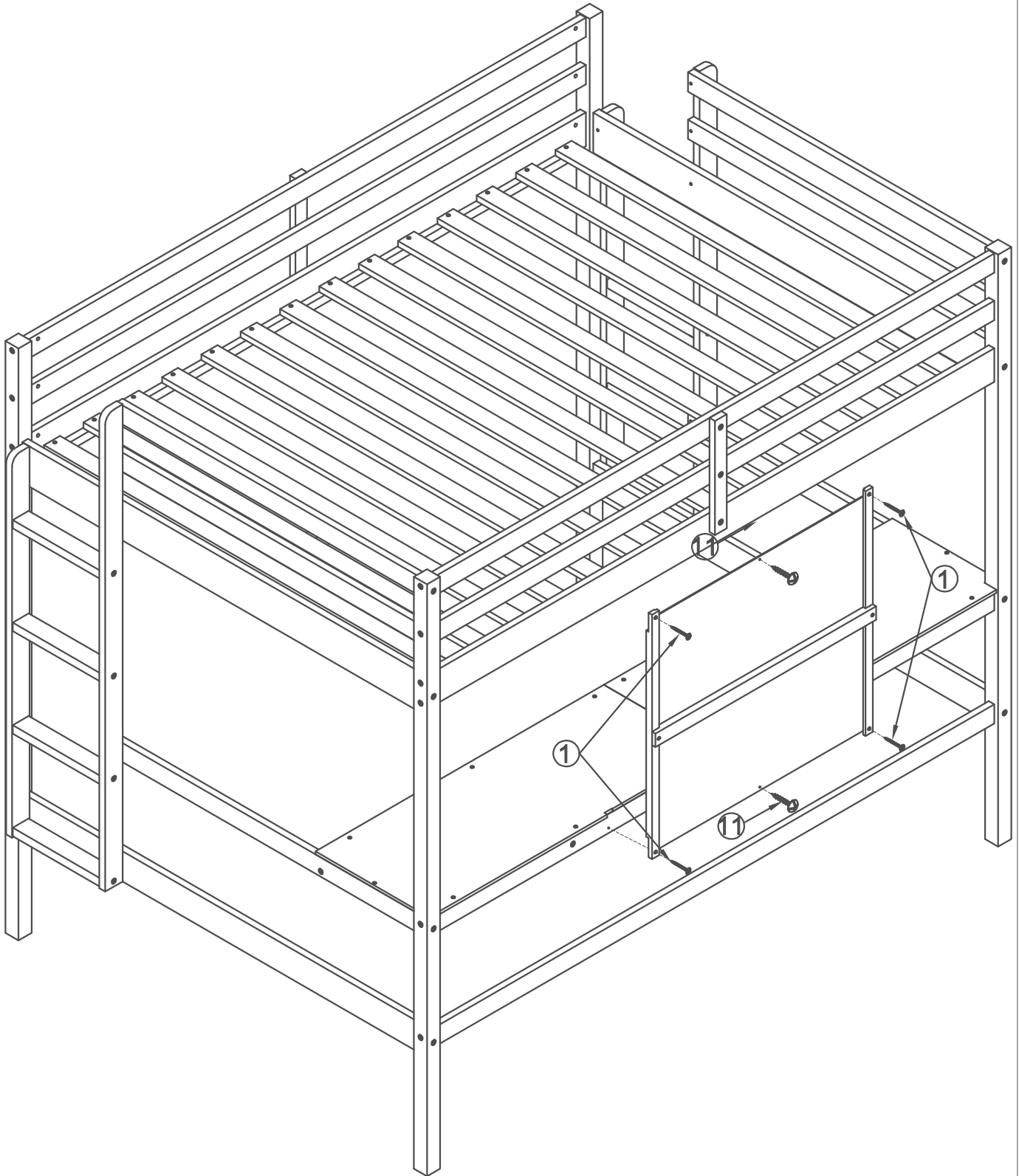


STEP 11-2: Following below illustration:

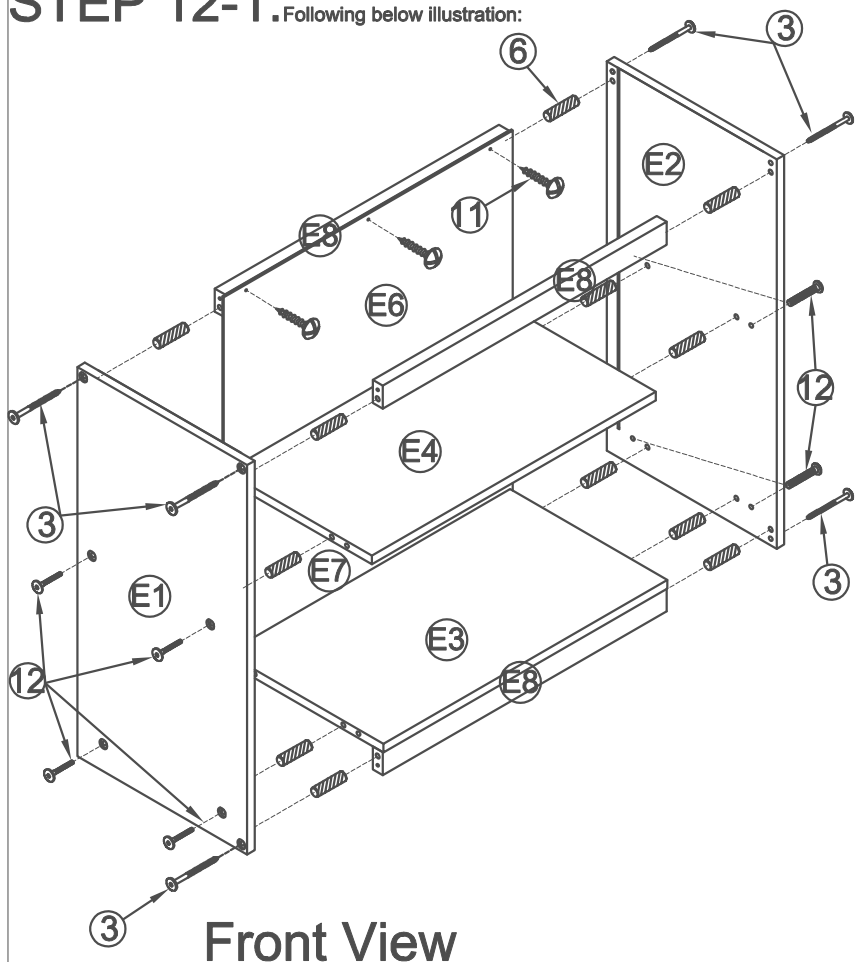
STEP 11-3: Following below illustration:

-Using hardware #1,#11 to connect D3(x2),D1,D2 Wood Bars Panels with Frame(Completed on step 10)

11		1	
2pcs		4pcs	

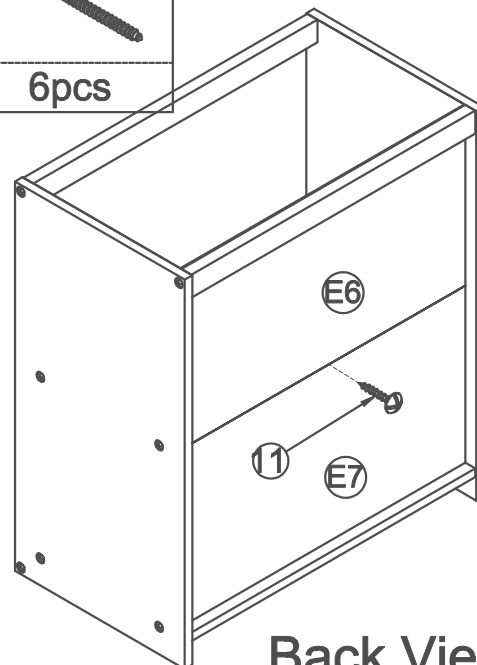


STEP 12-1: Following below illustration:



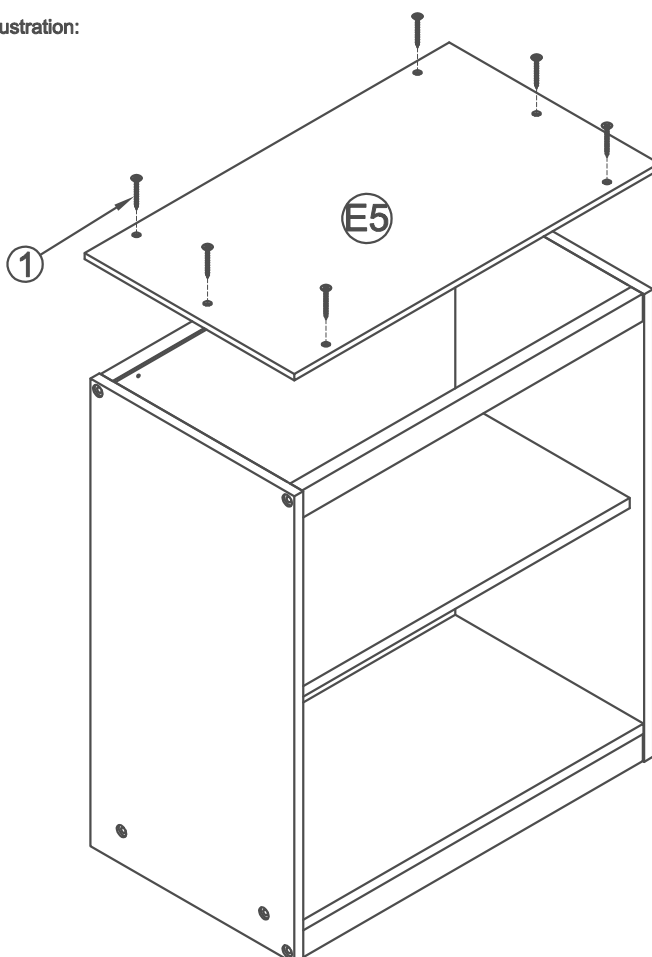
Front View

6		11		12	
14pcs		4pcs		8pcs	
3					
6pcs					



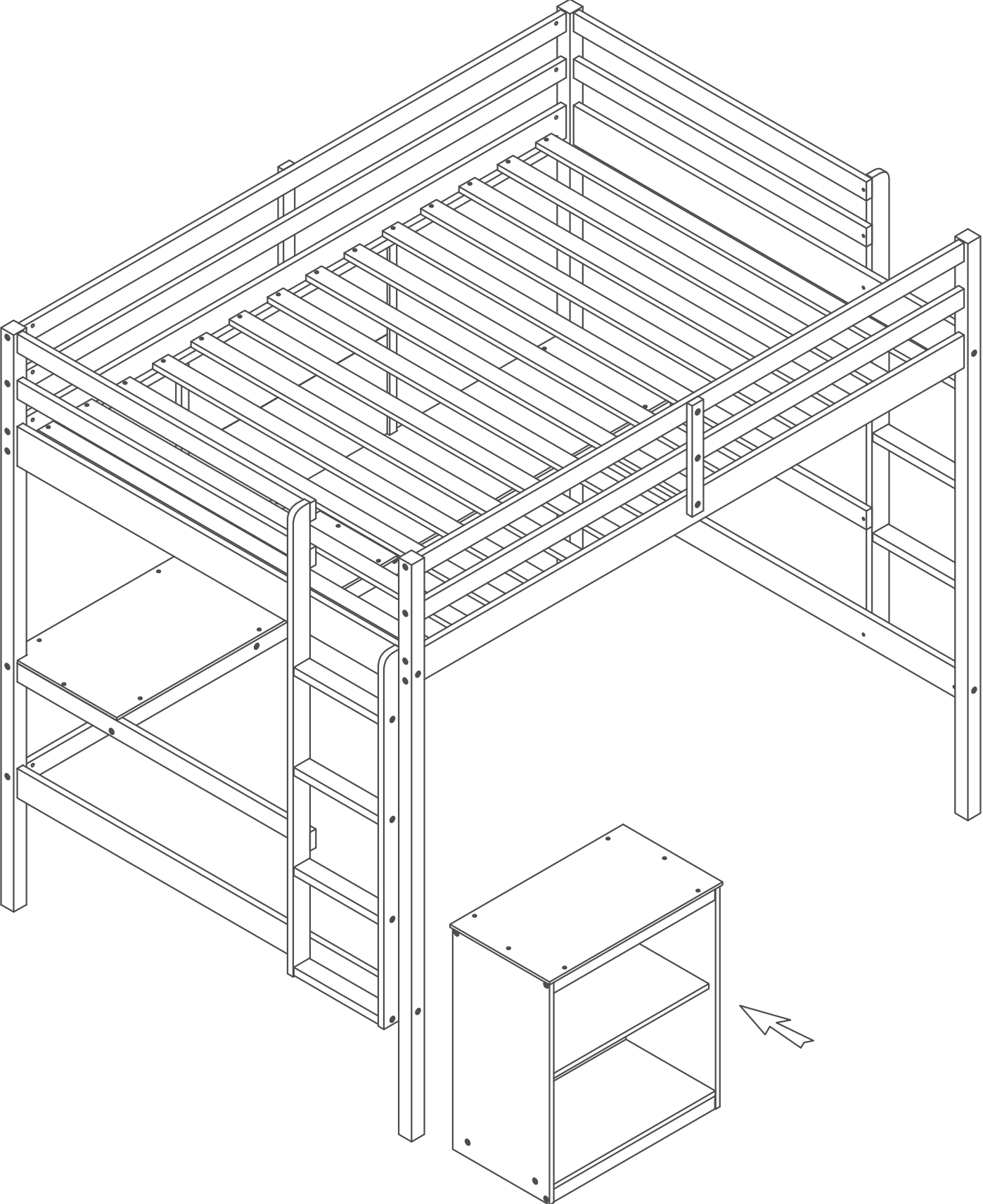
Back View

STEP 12-2: Following below illustration:



1	
6pcs	

STEP 13: Push 1 Chest into it position



CONGRARULATION. YOU HAVE COMPLETED THE BED.

