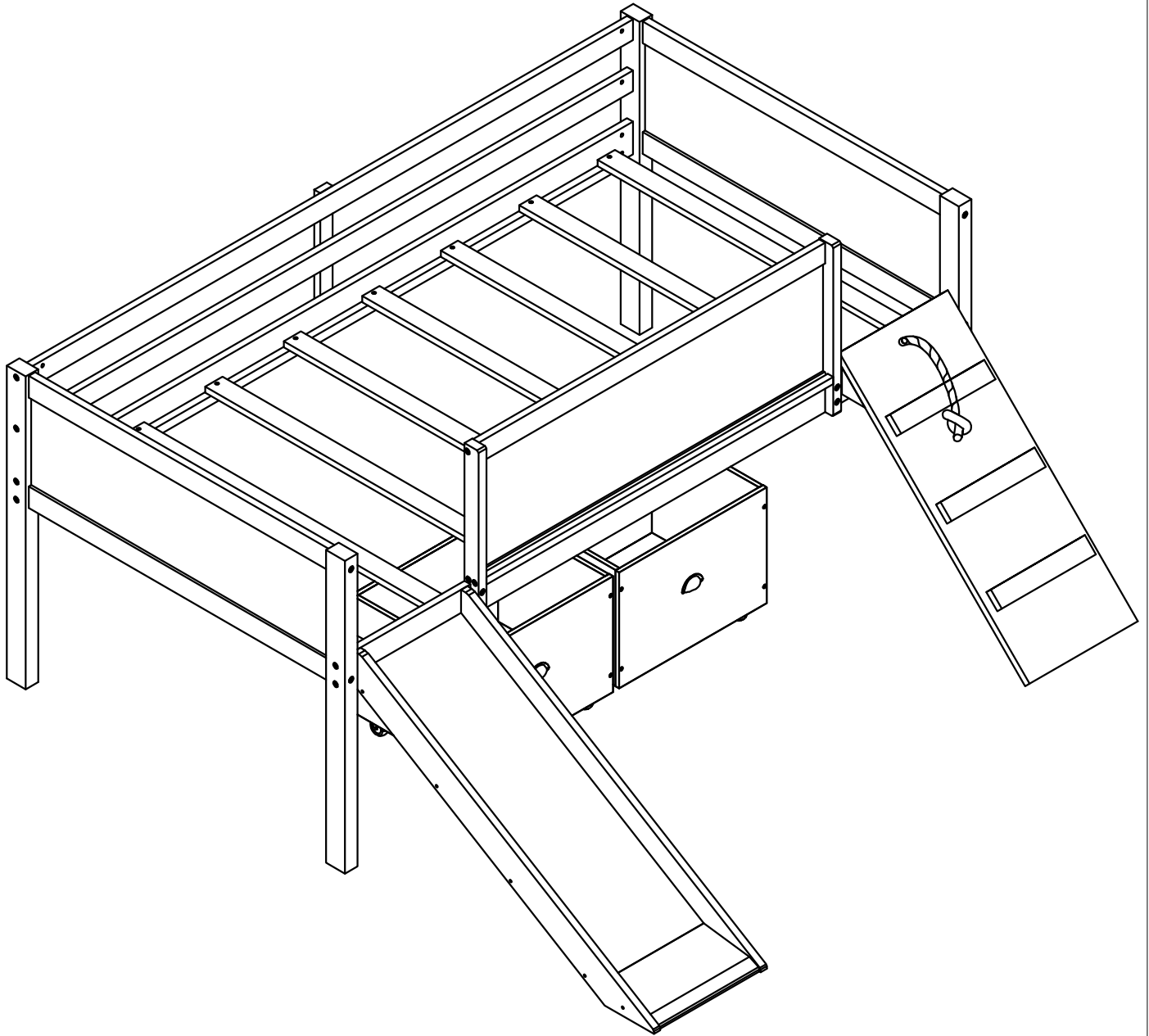
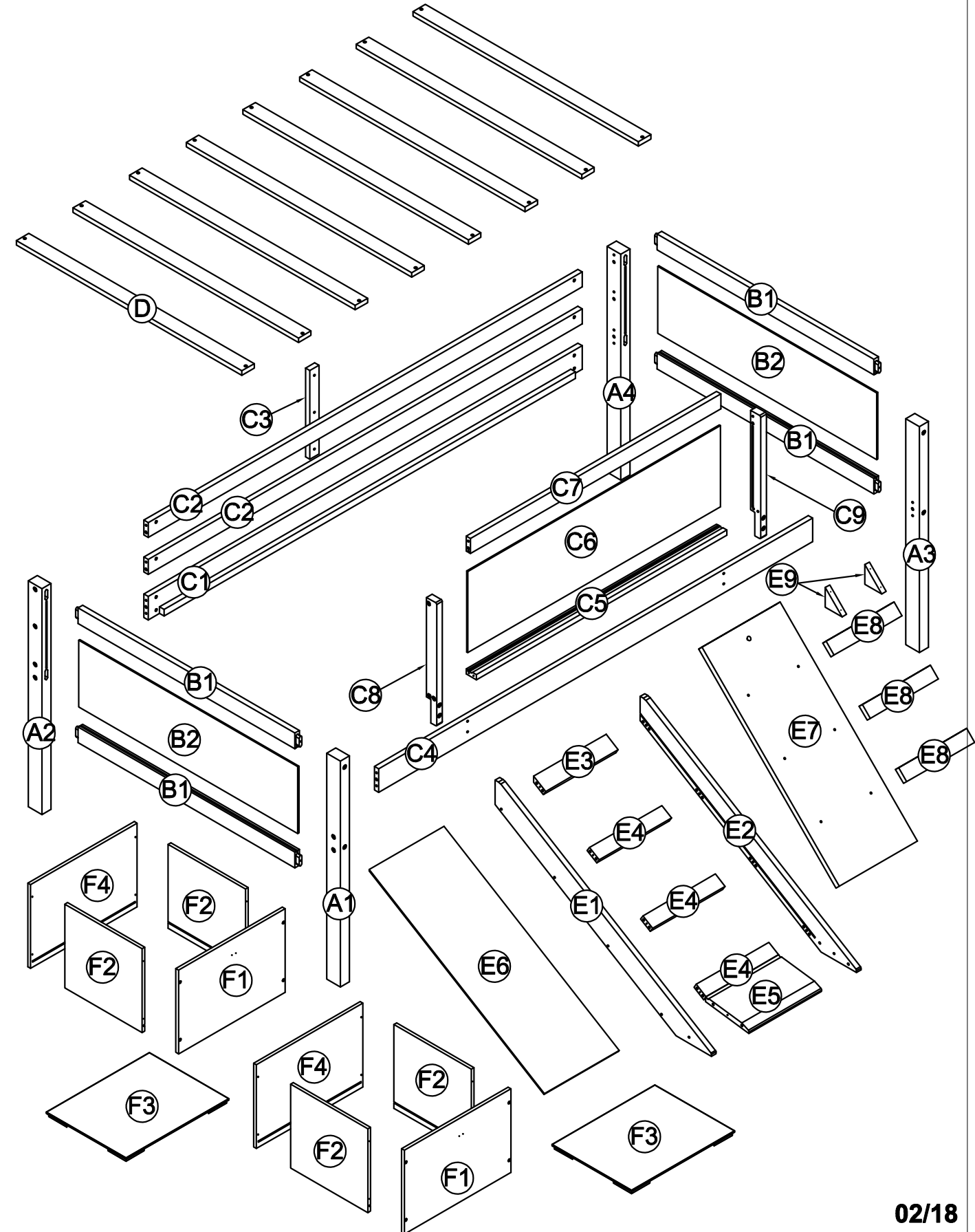


ASSEMBLY INSTRUCTION






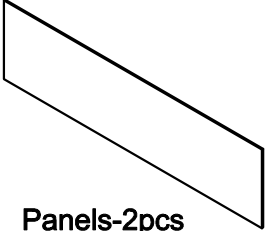
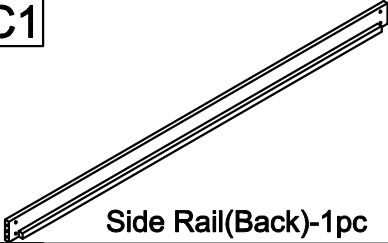
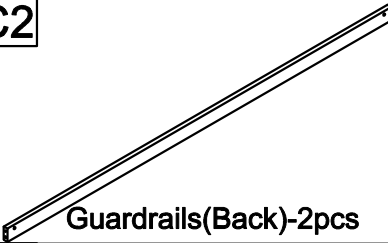

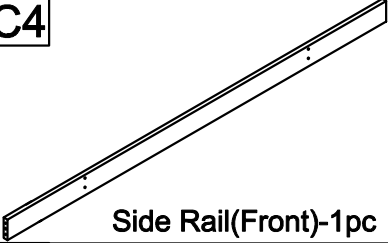
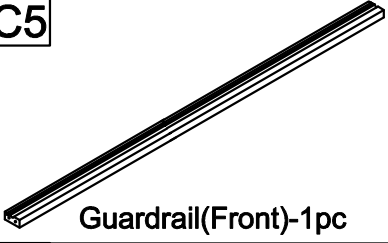
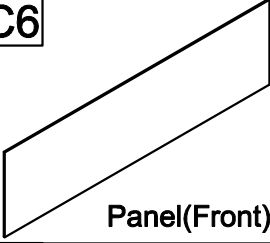
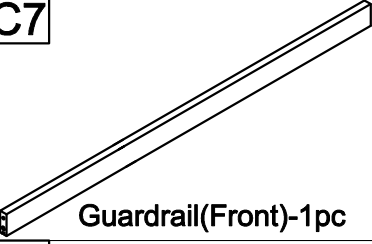


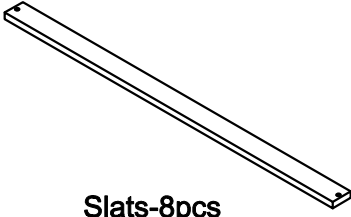
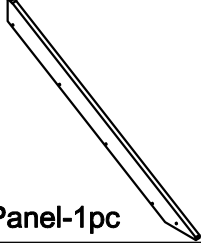
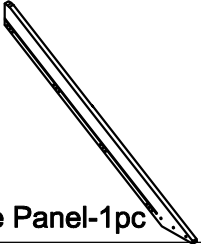
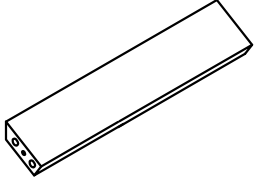
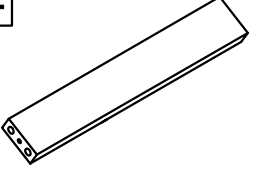
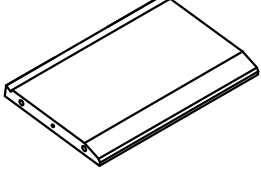
SKU CODE: (WF299308)



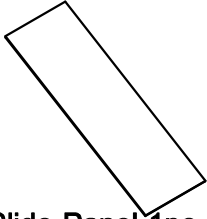
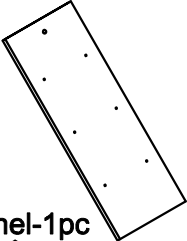
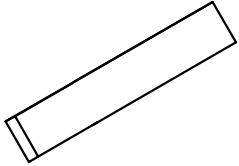
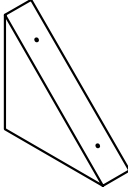
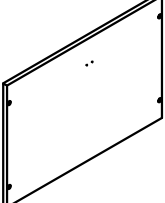
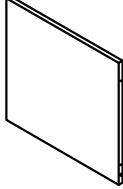
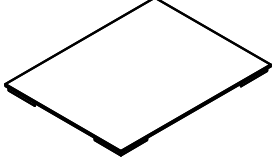
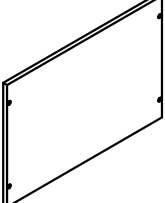
ASSEMBLY INSTRUCTION






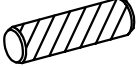
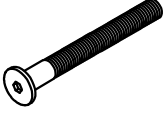




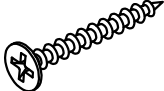
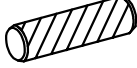
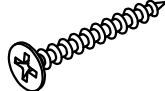


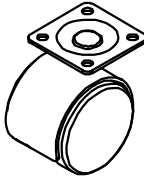
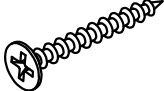

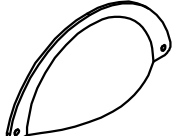
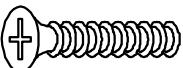

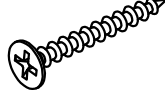
Part List & Hardware List (WF299308)

<p>A1</p>  <p>Leg-1pc</p>	<p>A2</p>  <p>Leg-1pc</p>	<p>A3</p>  <p>Leg-1pc</p>
<p>A4</p>  <p>Leg-1pc</p>	<p>B1</p>  <p>Wood bars-4pcs</p>	<p>B2</p>  <p>Panels-2pcs</p>
<p>C1</p>  <p>Side Rail(Back)-1pc</p>	<p>C2</p>  <p>Guardrails(Back)-2pcs</p>	<p>C3</p>  <p>Rail(Back)-1pc</p>
<p>C4</p>  <p>Side Rail(Front)-1pc</p>	<p>C5</p>  <p>Guardrail(Front)-1pc</p>	<p>C6</p>  <p>Panel(Front)-1pc</p>
<p>C7</p>  <p>Guardrail(Front)-1pc</p>	<p>C8</p>  <p>Rail(Front)-1pc</p>	<p>C9</p>  <p>Rail(Front)-1pc</p>
<p>D</p>  <p>Slats-8pcs</p>	<p>E1</p>  <p>Slide-Side Panel-1pc</p>	<p>E2</p>  <p>Slide-Side Panel-1pc</p>
<p>E3</p>  <p>Slide-Bottom Rail-1pc</p>	<p>E4</p>  <p>Slide-Bottom Rails-3pcs</p>	<p>E5</p>  <p>Slide-Bottom Rail-1pc</p>

Part List & Hardware List (WF299308)

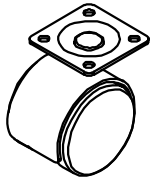
E6  Slide-Panel-1pc	E7  Slide-Panel-1pc	E8  Slide-Rails-3pcs
E9  Slide-Clients-2pcs	F1  Drawer-Panels-2pcs	F2  Drawer-Panels-4pcs
F3  Drawer-Bottom Panels-2pcs	F4  Drawer-Panels-2pcs	

Hardware List(WF299308)

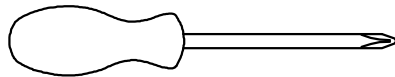
<p>1</p>  <p>Screws 1/4" x80 8pcs</p>	<p>2</p>  <p>Screws 1/4" x30 9pcs</p>	<p>3</p>  <p>Screws 1/4" x50 16pcs</p>
<p>4</p>  <p>Ø10 x 40 mm Wood dowel 10pcs</p>	<p>5</p>  <p>Ø1/4" x 70 mm Hex-Head bolts 2pcs</p>	<p>6</p>  <p>Ø1/4" x 13 mm Horizontal-Hole bolts 14pcs</p>
<p>7</p>  <p>Ø1/4" x 30 mm Hex-Head bolts 4pcs</p>	<p>8</p>  <p>Ø1/4" x 15 mm Canopy head though -4pcs</p>	<p>9</p>  <p>Ø1/4" x 85 mm Hex-Head bolts 12pcs</p>
<p>10</p>  <p>M4 x 30 mm Wood Screws 32pcs</p>	<p>11</p>  <p>Ø8 x 30 mm Wood dowel 18pcs</p>	<p>12</p>  <p>M4 x 20 mm Wood Screws 12pcs</p>
<p>13</p>  <p>Steel Bracket 4pcs</p>	<p>14</p>  <p>Rope (1pc)</p>	<p>15</p>  <p>The wheel has a lock (4pcs)</p>
<p>16</p>  <p>M4 x15 mm Wood Screws 32pcs</p>	<p>17</p>  <p>Allen Key 1pc</p>	<p>18</p>  <p>Handle (2pcs)</p>
<p>19</p>  <p>M4x10mm Bolt drawer (4pcs)</p>	<p>20</p>  <p>Ø6*2.5mm Temple des dragons (4pcs)</p>	<p>21</p>  <p>M4 x 25 mm Wood Screws 4pcs</p>

Hardware List(WF299308)

22



The wheel is not locked (4pcs)



Assembly Tools Required (Not Included)

STEP 1: Following below illustration..

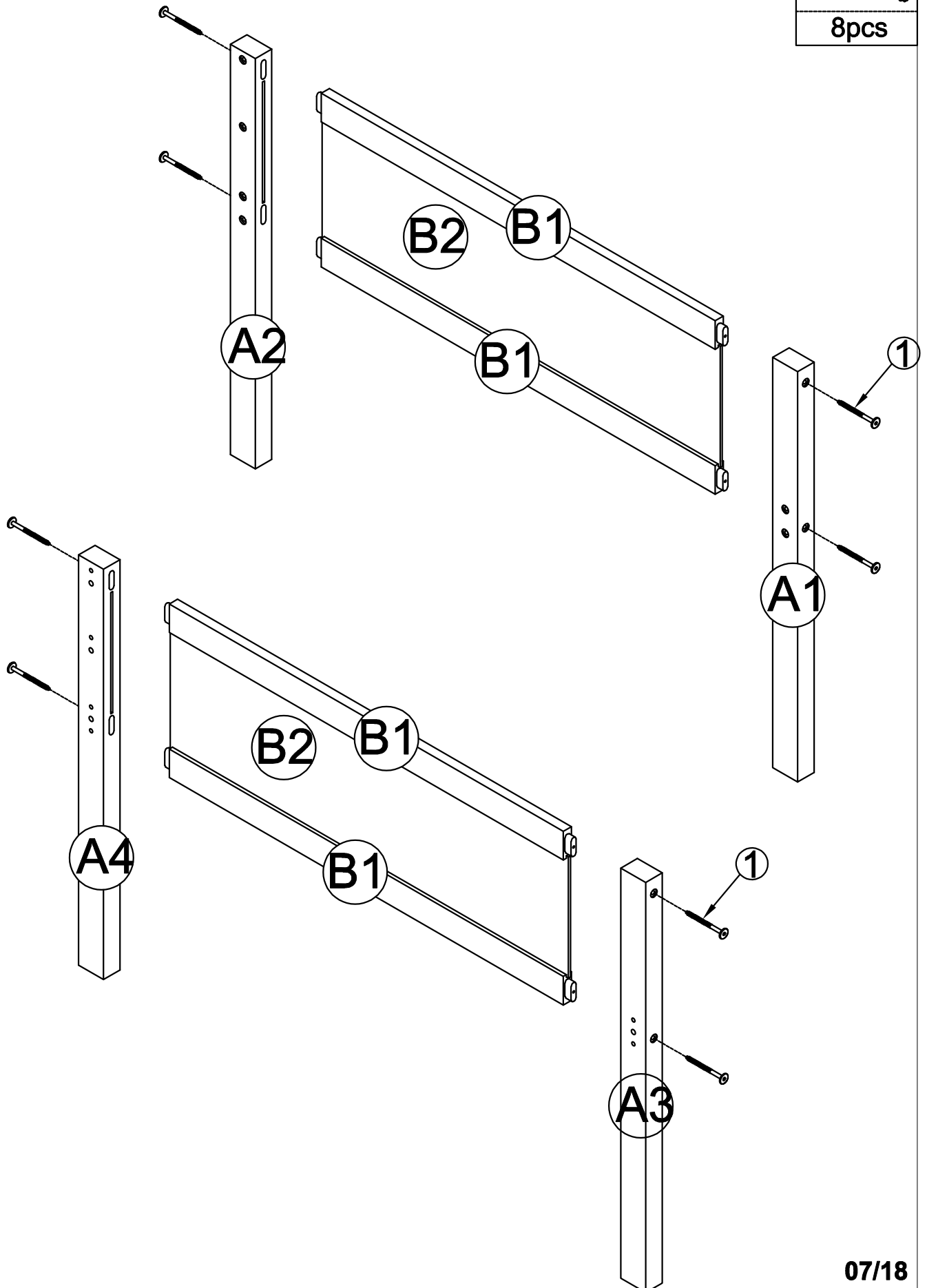
-Using hardware #1 connect A1,A2 Legs with B1(x2) Wood Bars and B2 Panel

-Using hardware #1 connect A3,A4 Legs with B1(x2) Wood Bars and B2 Panel

1

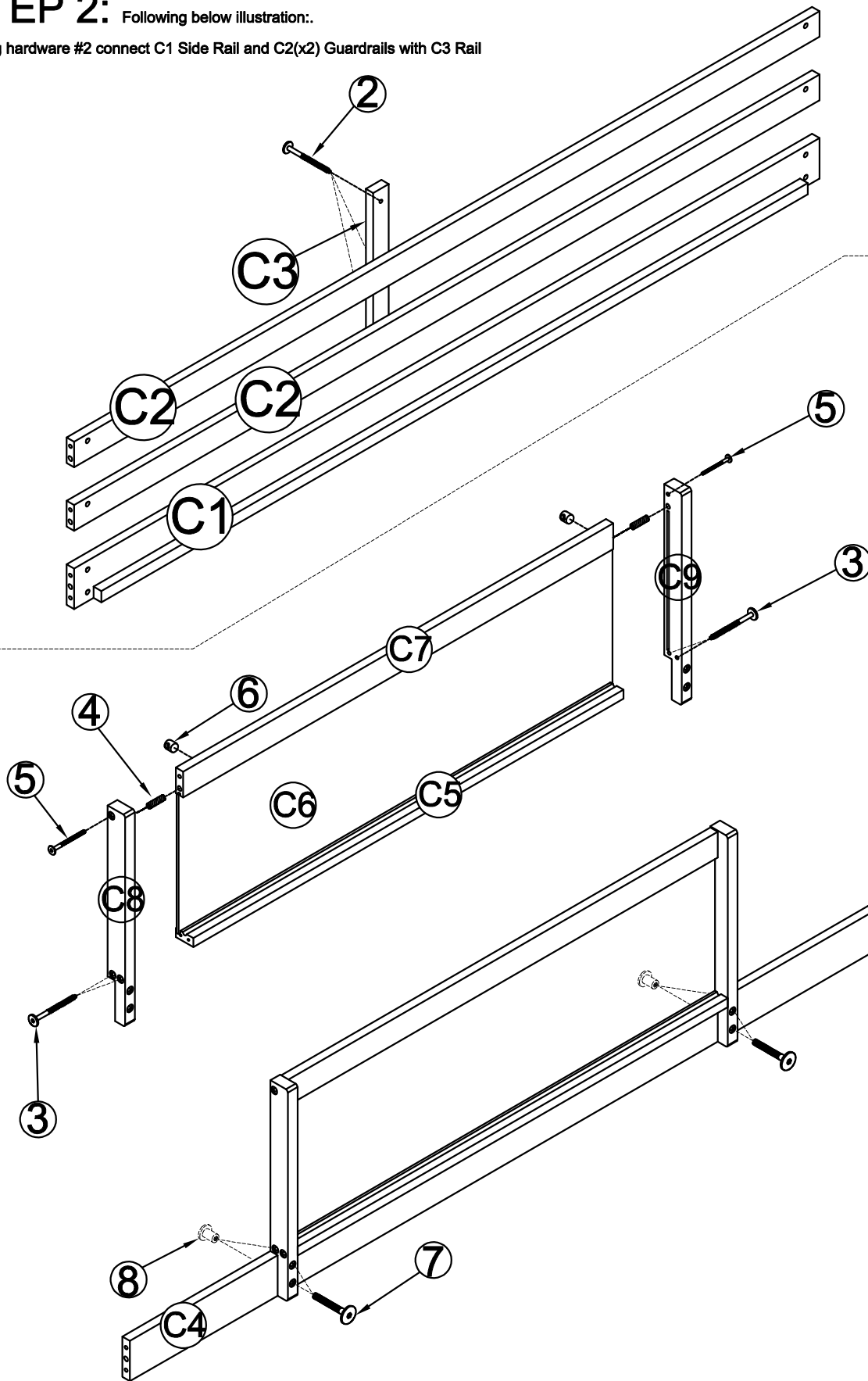


8pcs



STEP 2: Following below illustration:.

-Using hardware #2 connect C1 Side Rail and C2(x2) Guardrails with C3 Rail



2



3pcs

3



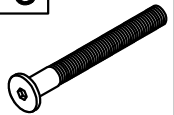
4pcs

4



2pcs

5



2pcs

6



2pcs

7



4pcs

8



4pcs



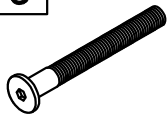
STEP 3: Following below illustration:.

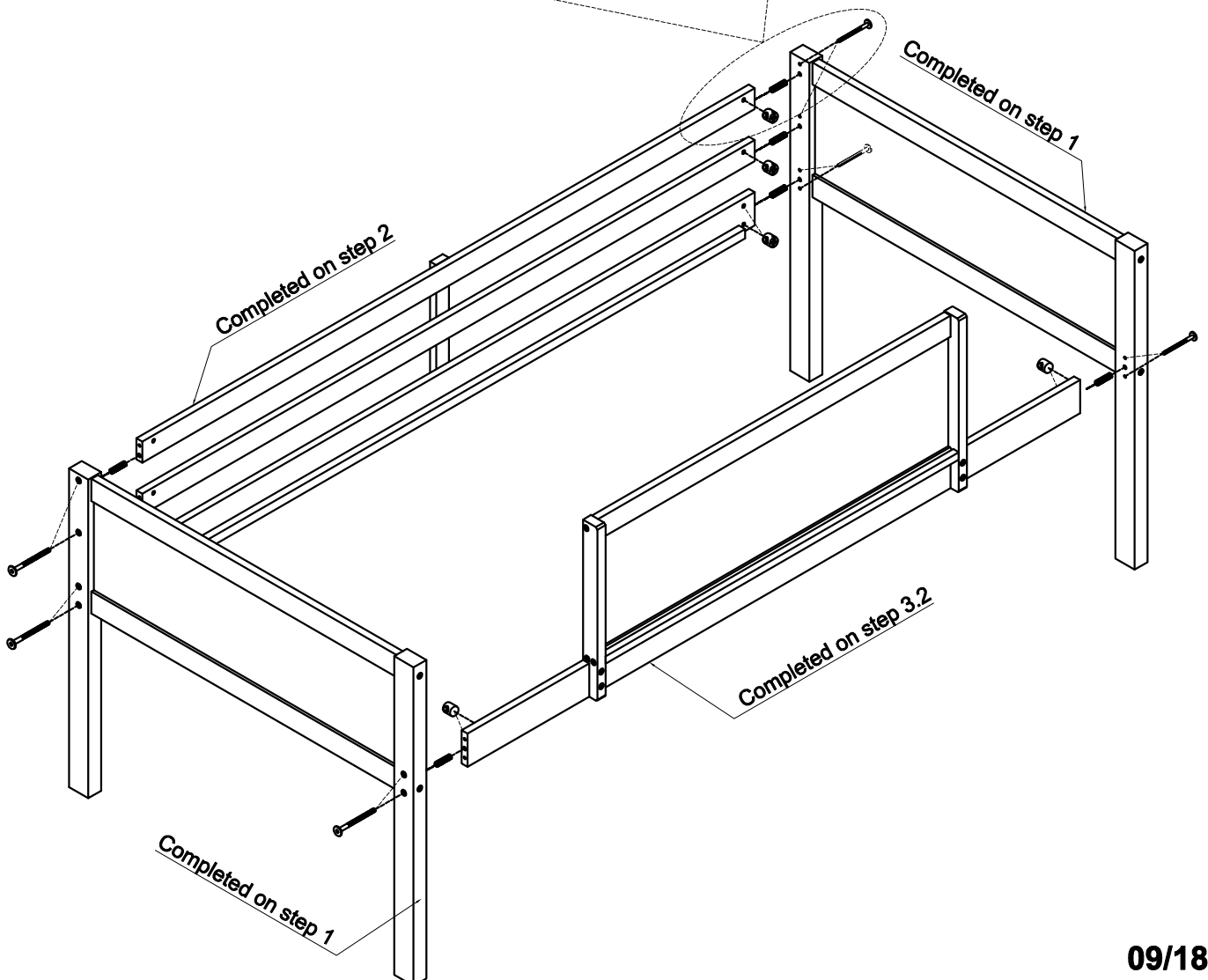
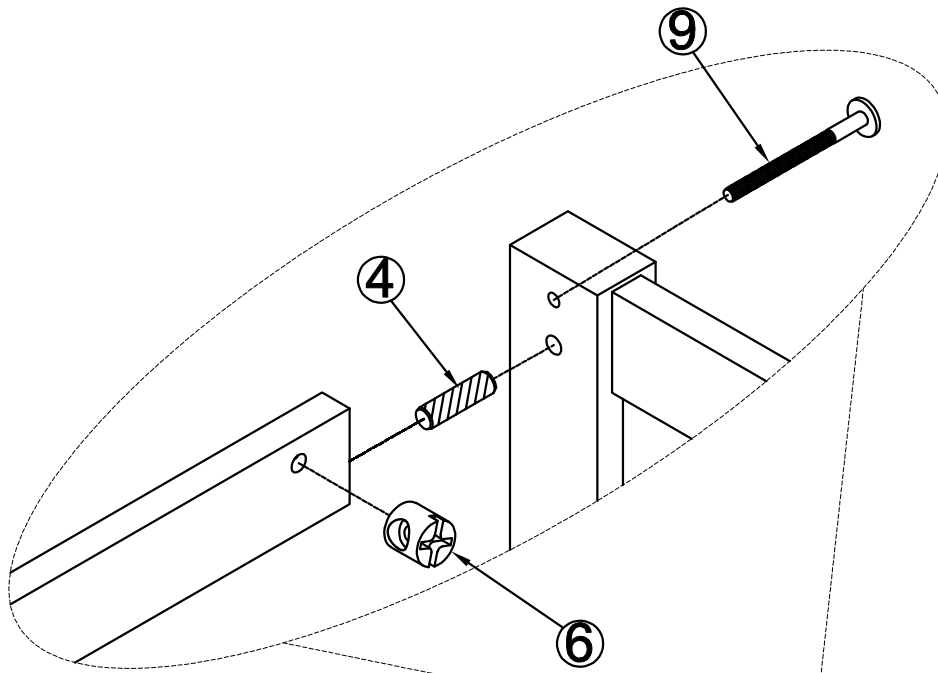
3.1: Using hardware #3, #5, #6 and Dowel 4 connect C5, C7 Guardrails and C6 Panel with C8, C9 Rails

3.2: Using hardware #7, #8 4 Frame (completed on step 3.1) with C5 Side Rail

STEP 4: Following below illustration:

-Using hardware #6,#9 and Dowel 4 connect Frame(completed on step 1) with Frame(completed on step 2,step3.2)

6		4	
12pcs		8pcs	
		9	
		12pcs	



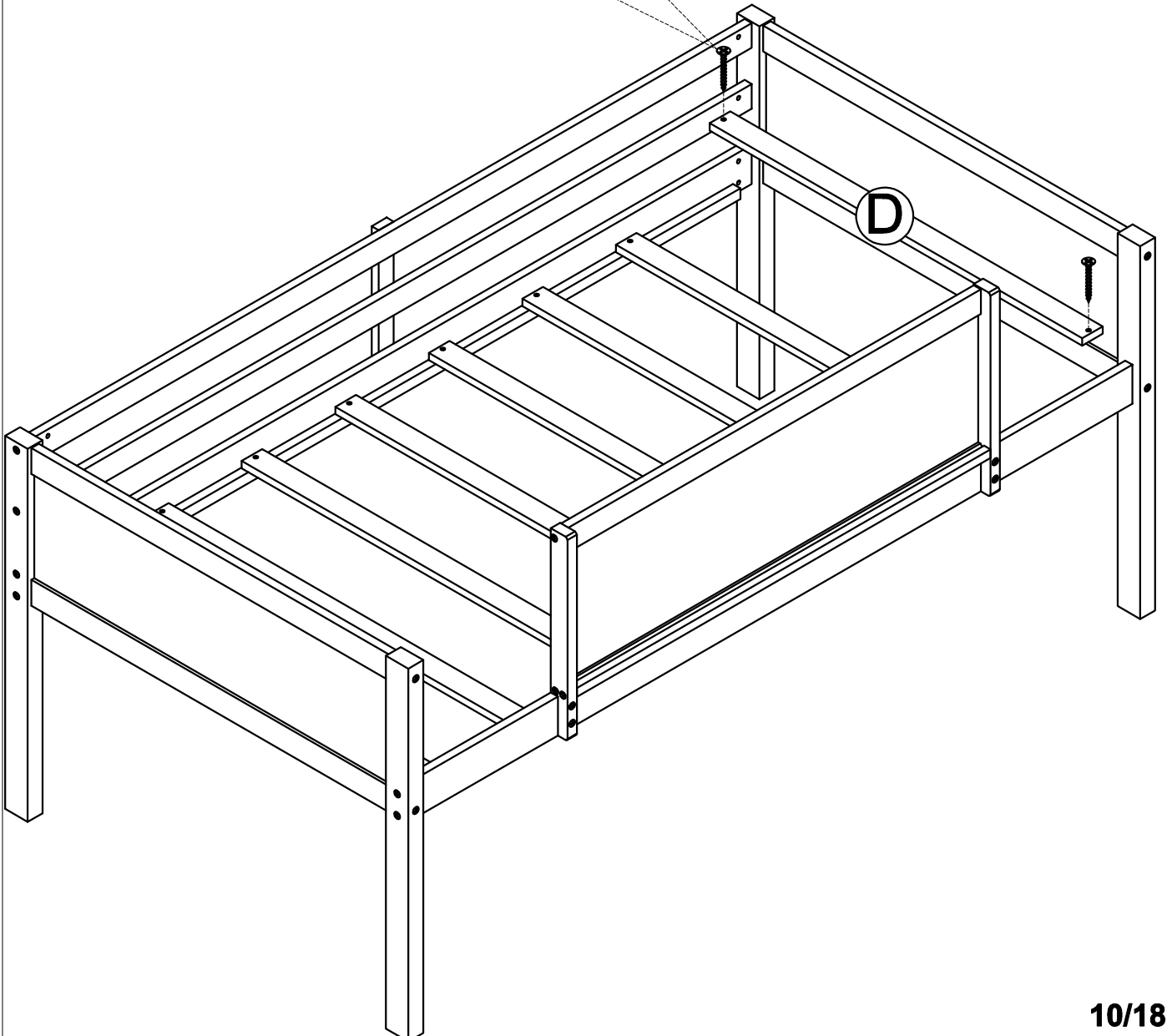
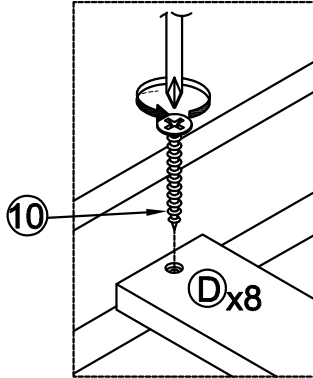
STEP 5: Following below illustration:

- Assembly 8 slats (D) using hardware #10.
- Look at detail view

10

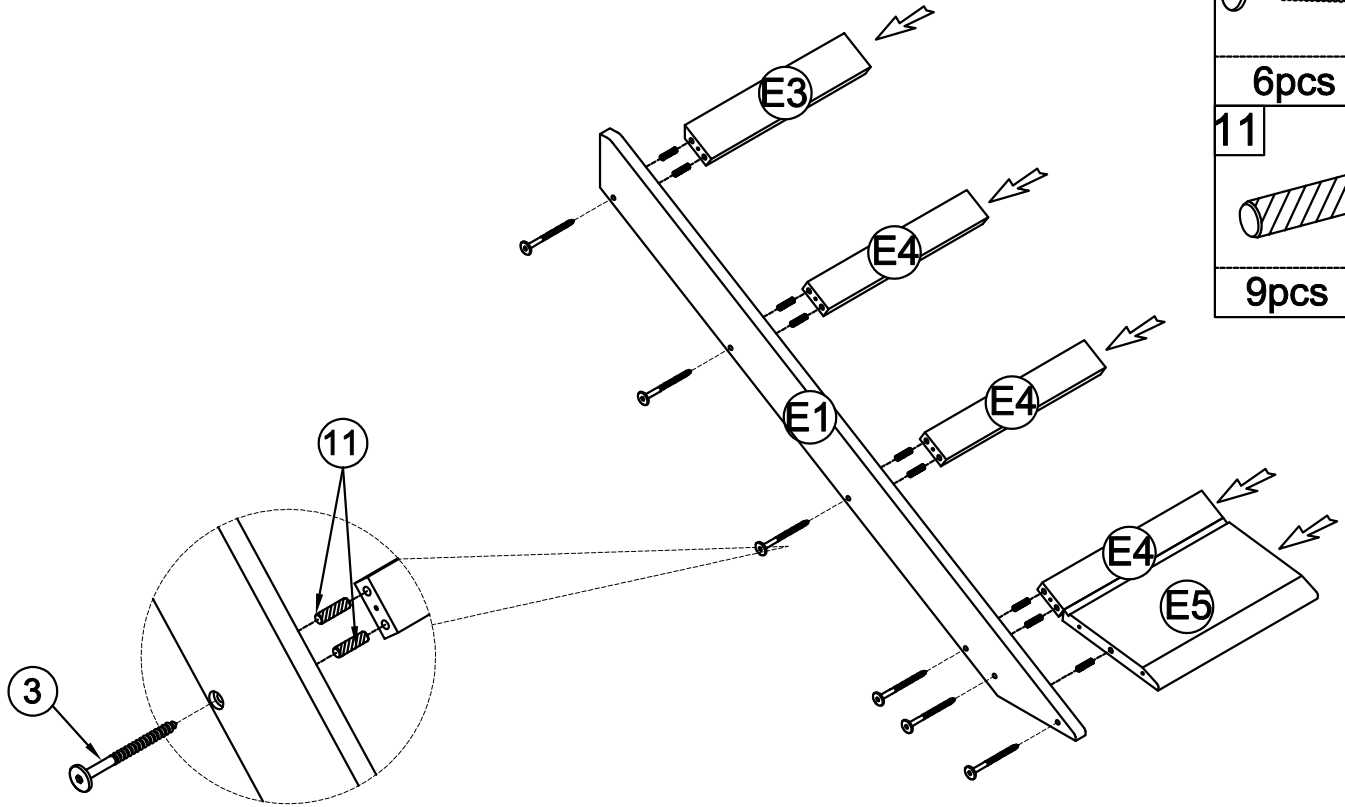


16pcs



STEP 6-1

:Following below illustration Using hardware #3 and Dowel 11 to Assembly Slide.Look at detail view for more detail

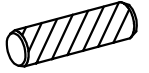


3



6pcs

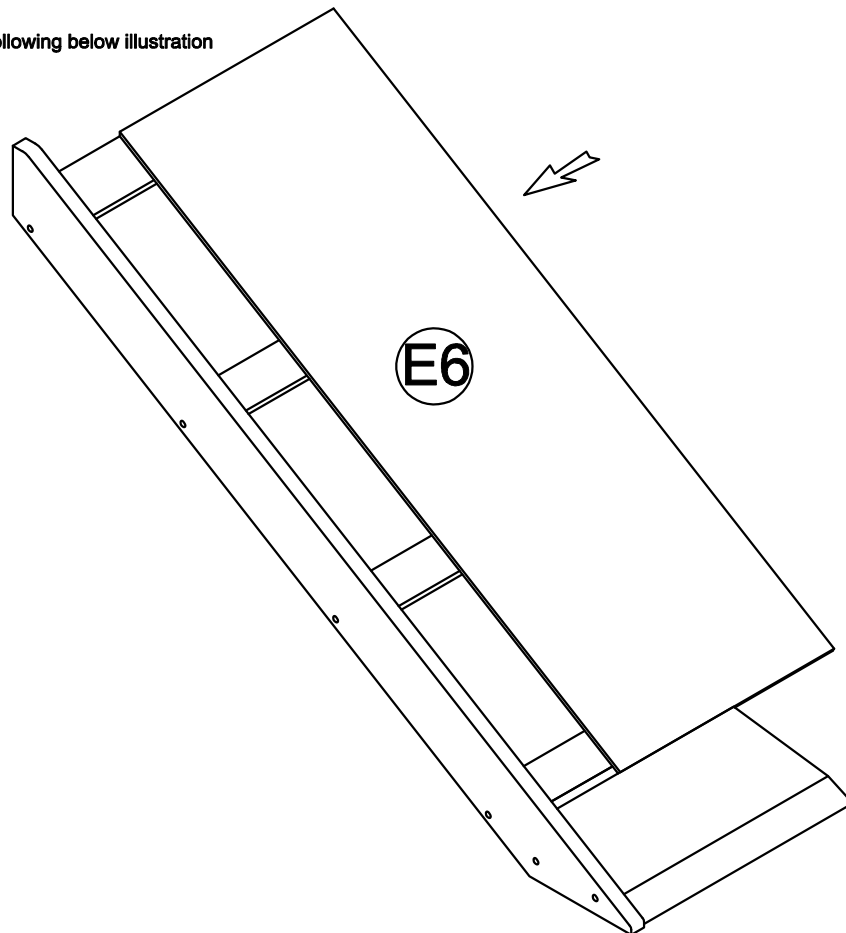
11



9pcs

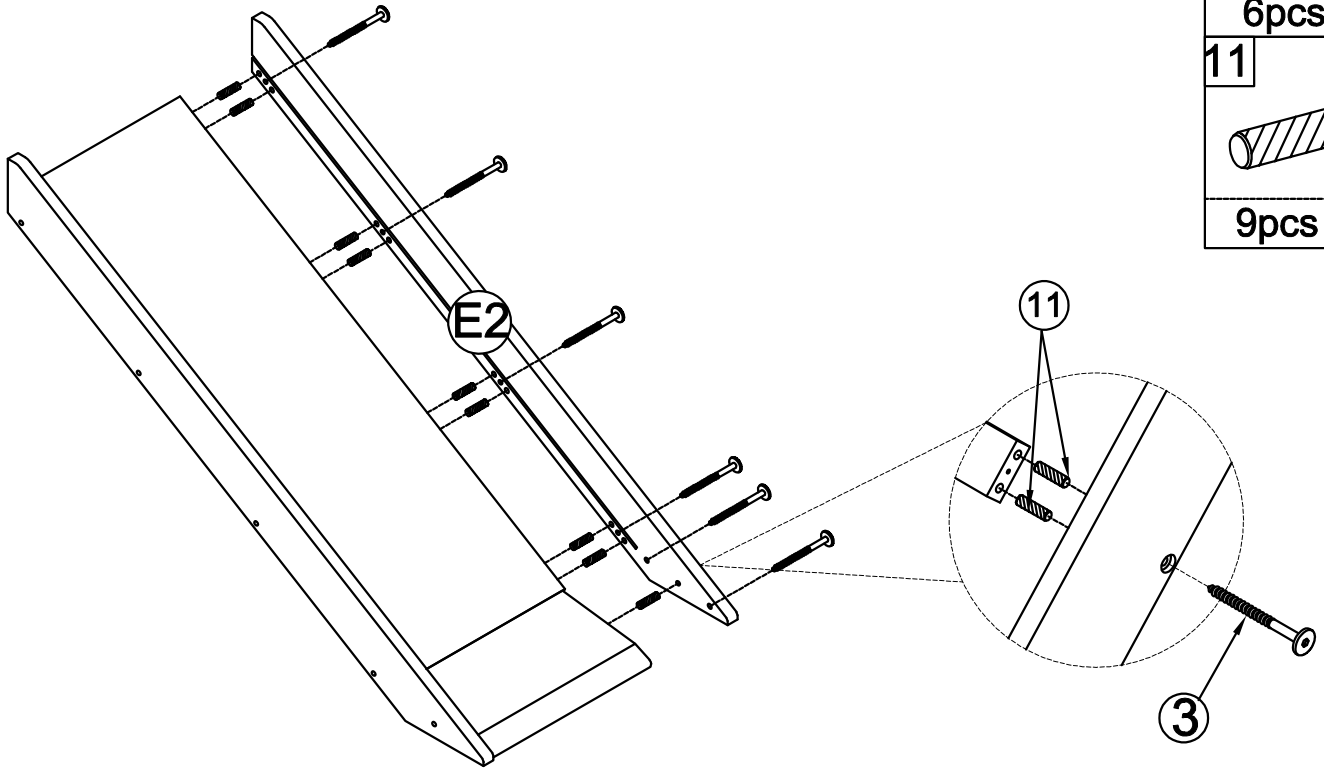
STEP 6-2

:Following below illustration



STEP 6-3

:Following below illustration Using hardward #3 and Dowel 11 to Assembly Slide.Look at detail view for more detail

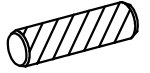


3



6pcs

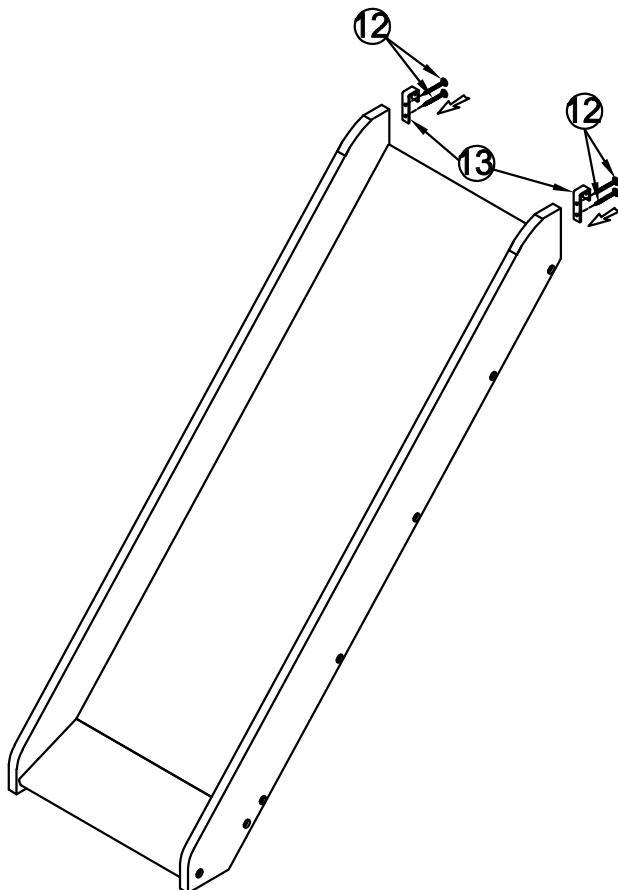
11



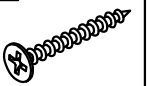
9pcs

STEP 6-4

:Following below illustration Using hardward #12,#13 to Assembly Slide.Look at detail view for more detail



12




4pcs

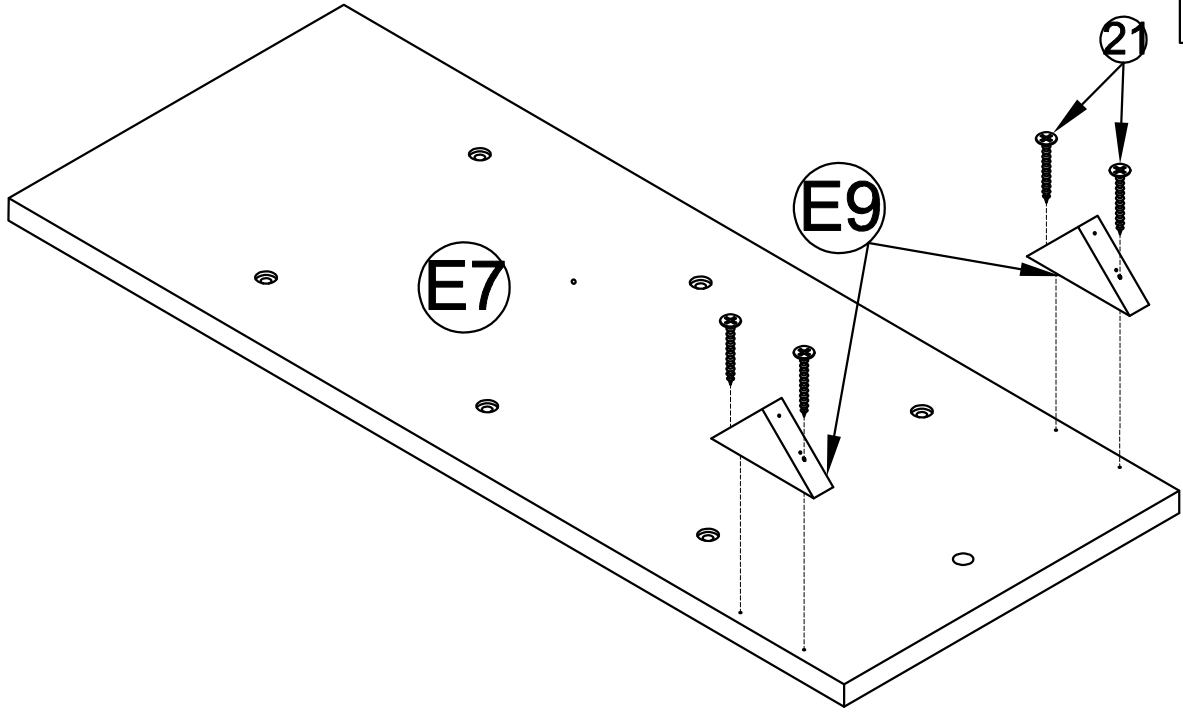
13



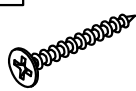

2pcs

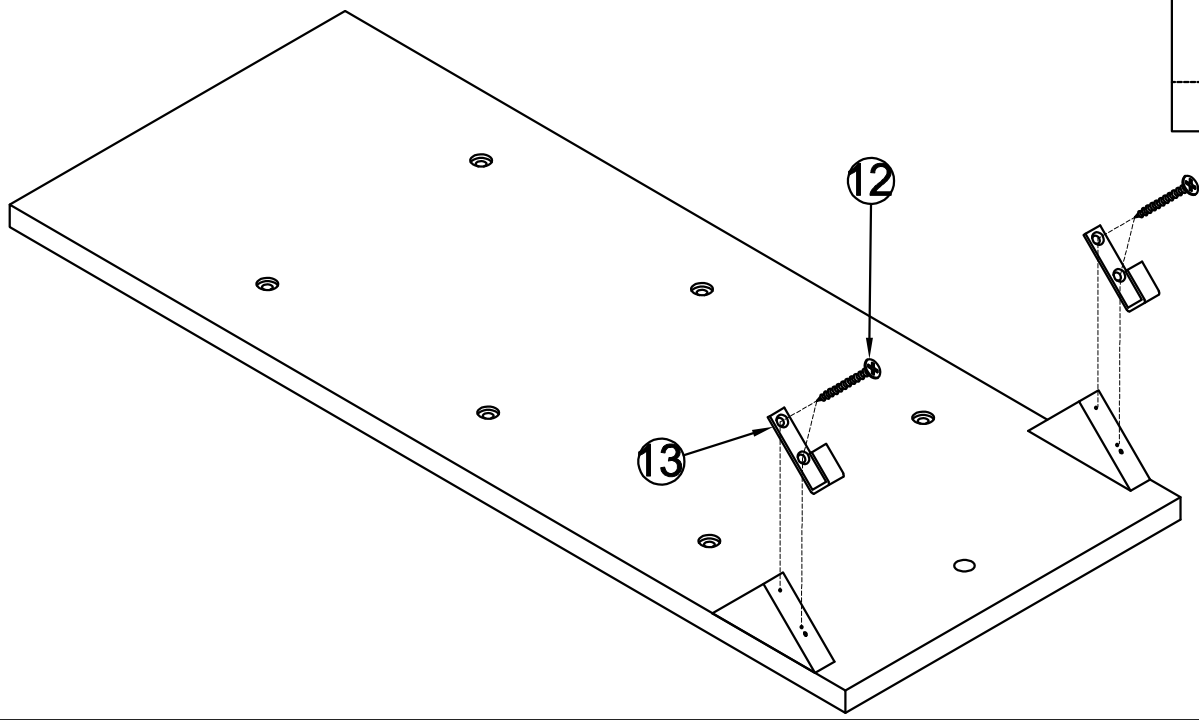
STEP 7-1:

21	
4pcs	




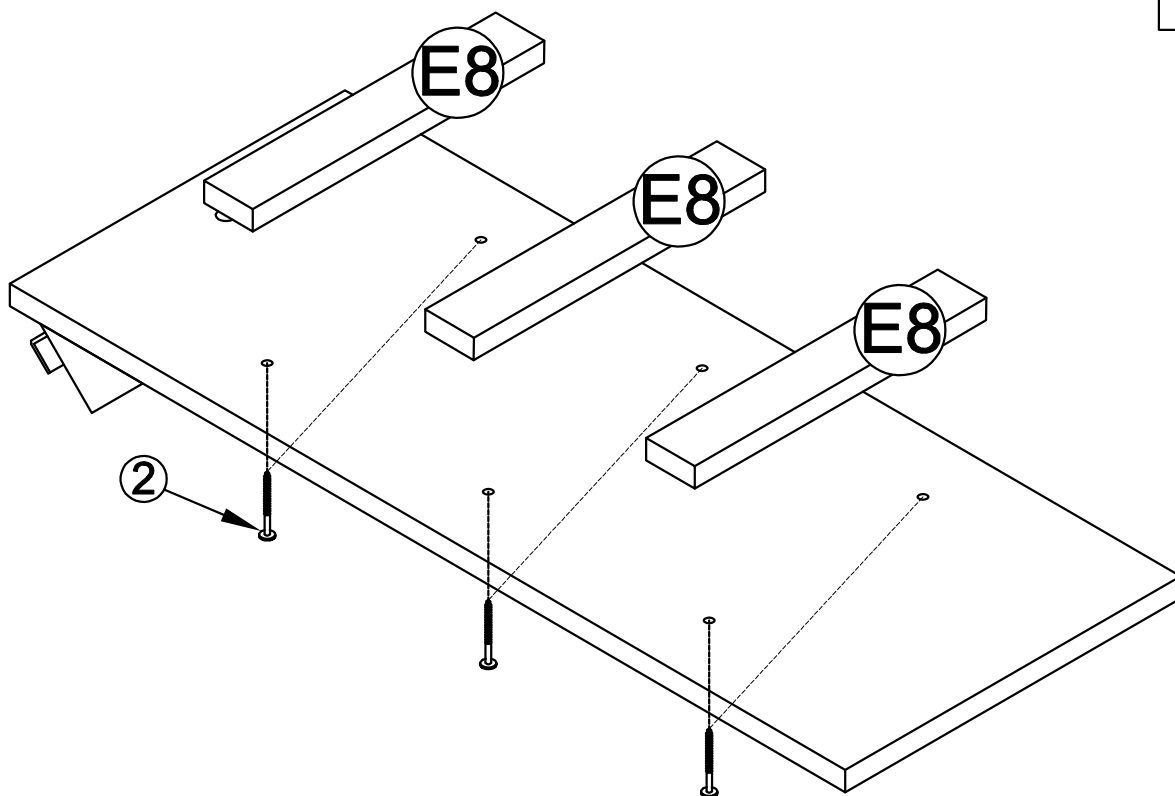
STEP 7-2

12	
4pcs	
13	
2pcs	




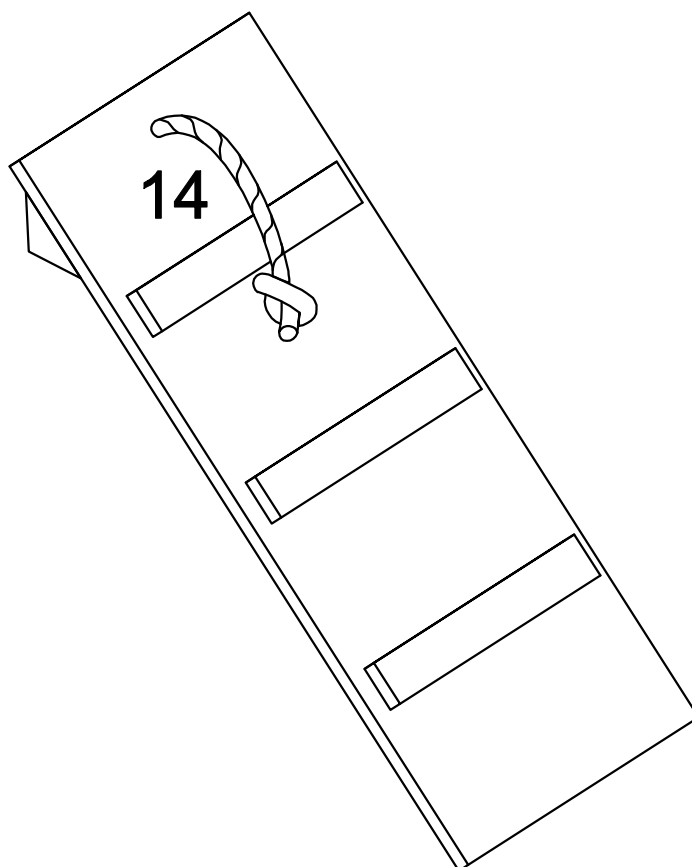
STEP 7-3:

2

6pcs



STEP 7-4:

14

1PCS

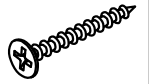


STEP 8

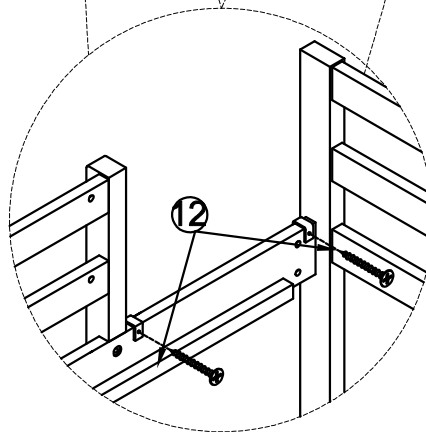
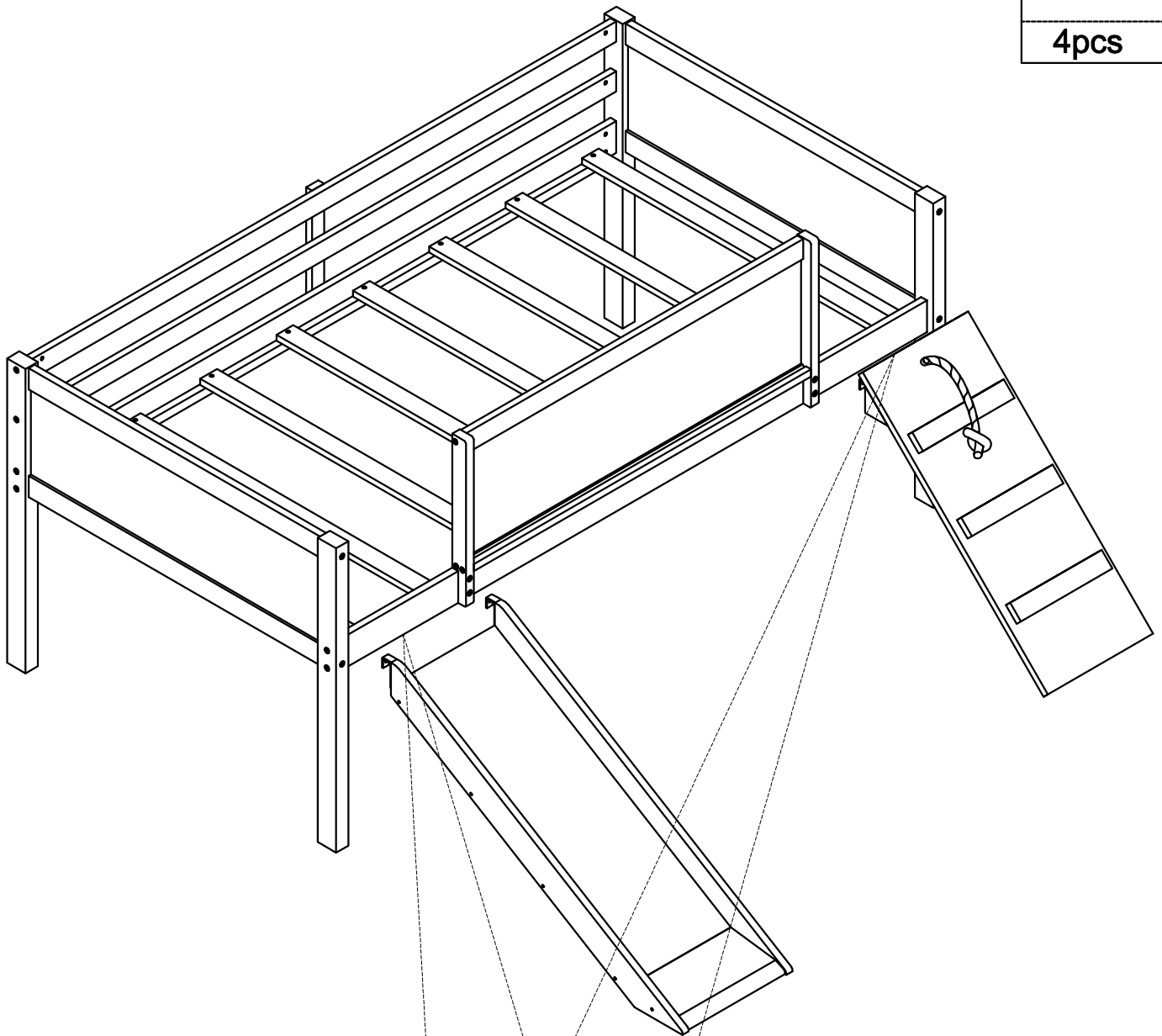
:Following below illustration

- Push 2 Slides into it position and Using hardware #12 connect Slide With Bed
- Look at detail view for more detail

12

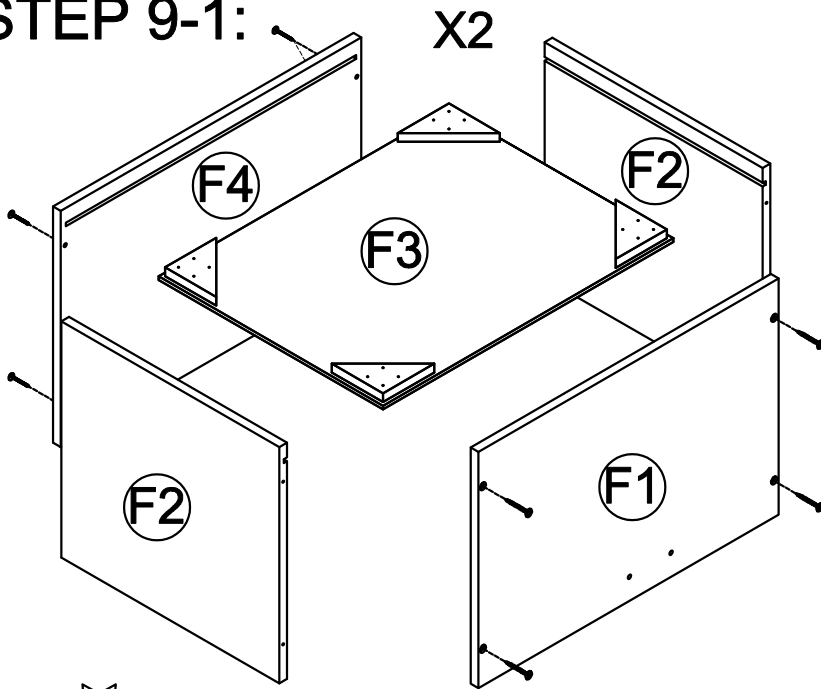


4pcs



Inside Side Rail View(x2)

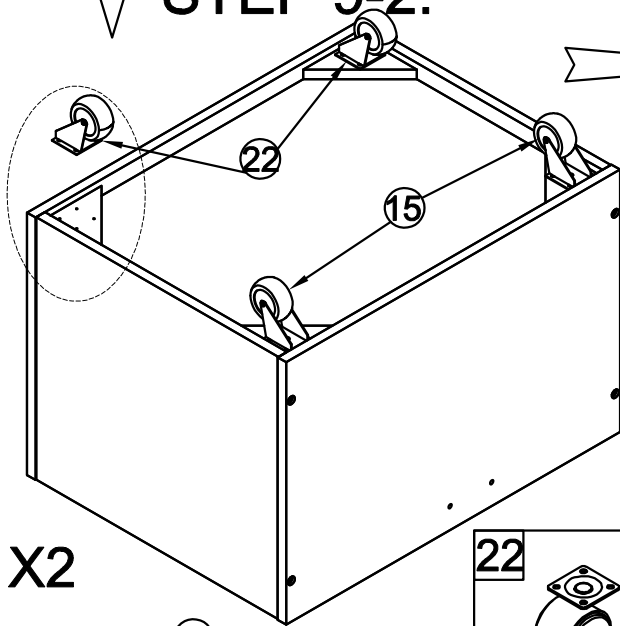
STEP 9-1:



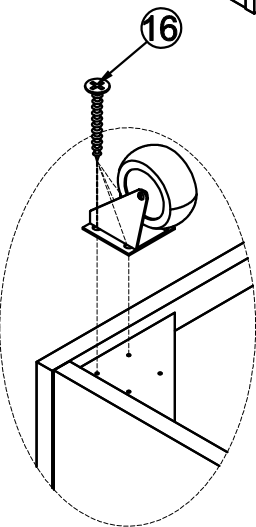
10	
16pcs	



STEP 9-2:

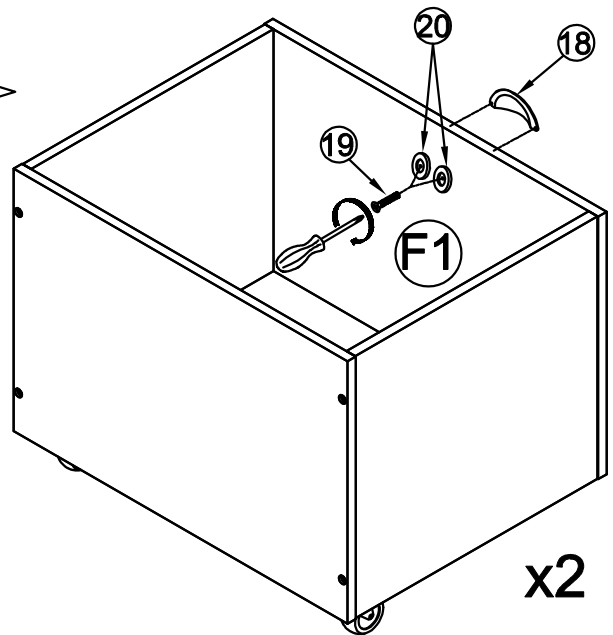


X2



x4

22	
4pcs	
16	
32pcs	
15	
4pcs	

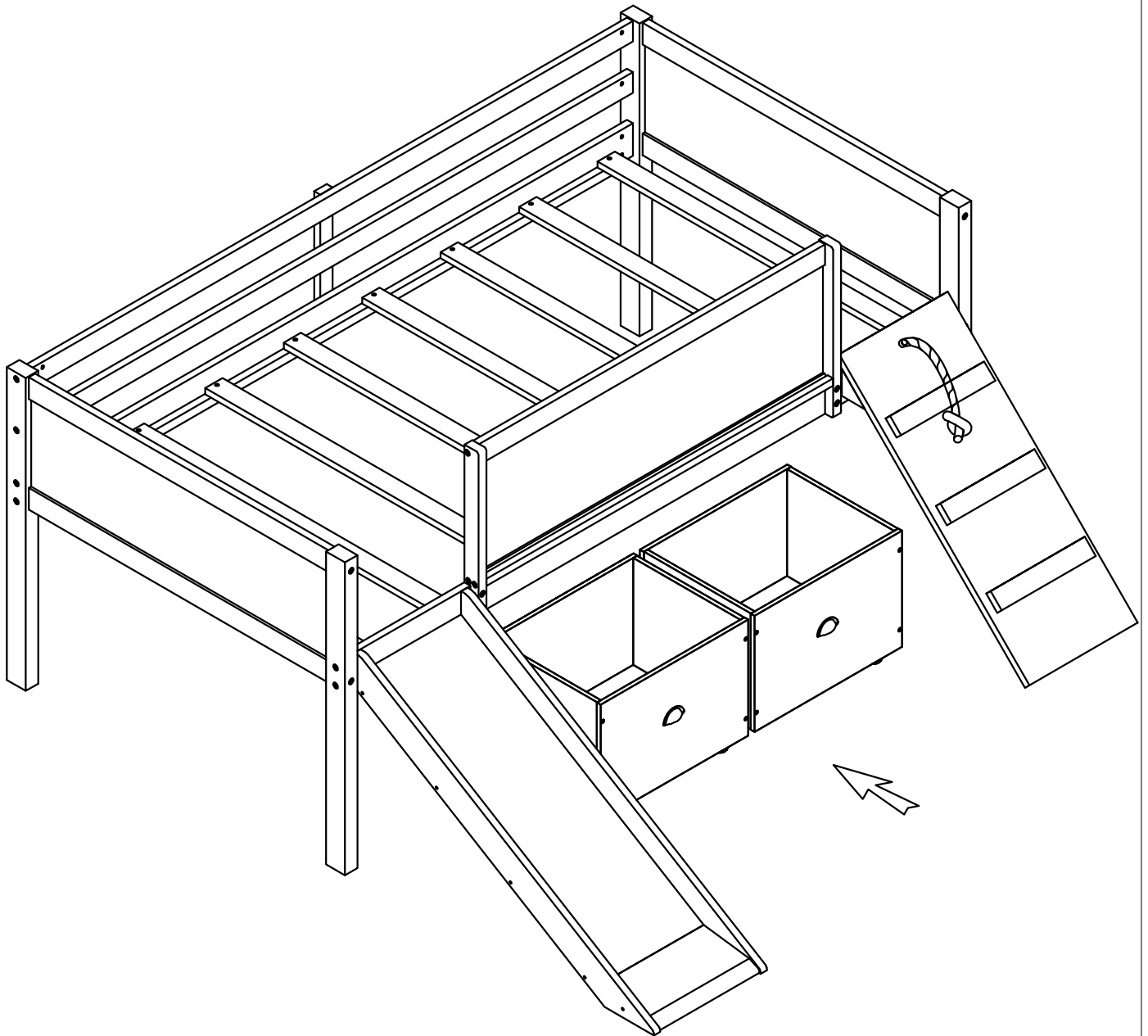


x2

STEP 9-3:

19		18		20	
4pcs		2pcs		4pcs	

STEP 10: Push 2 drawers into it position



CONGRARULATION. YOU HAVE COMPLETED THE BED.

