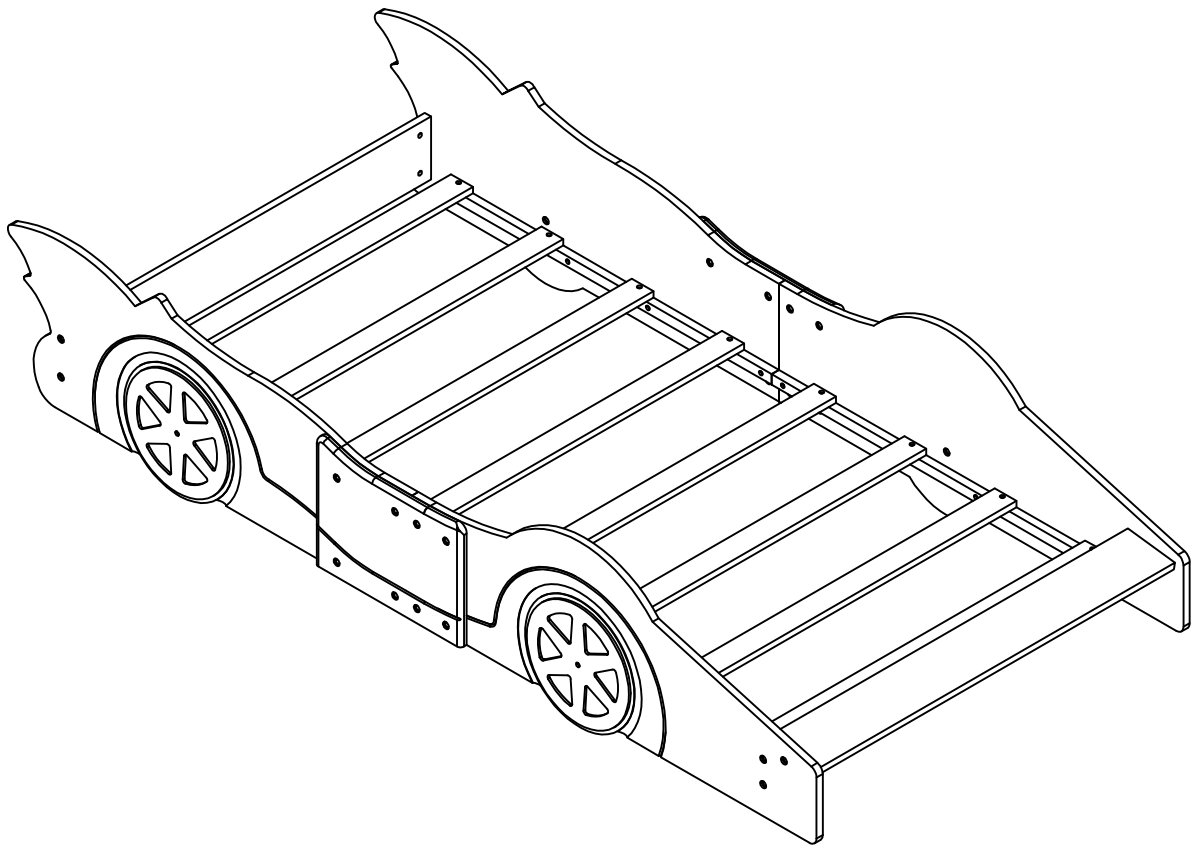
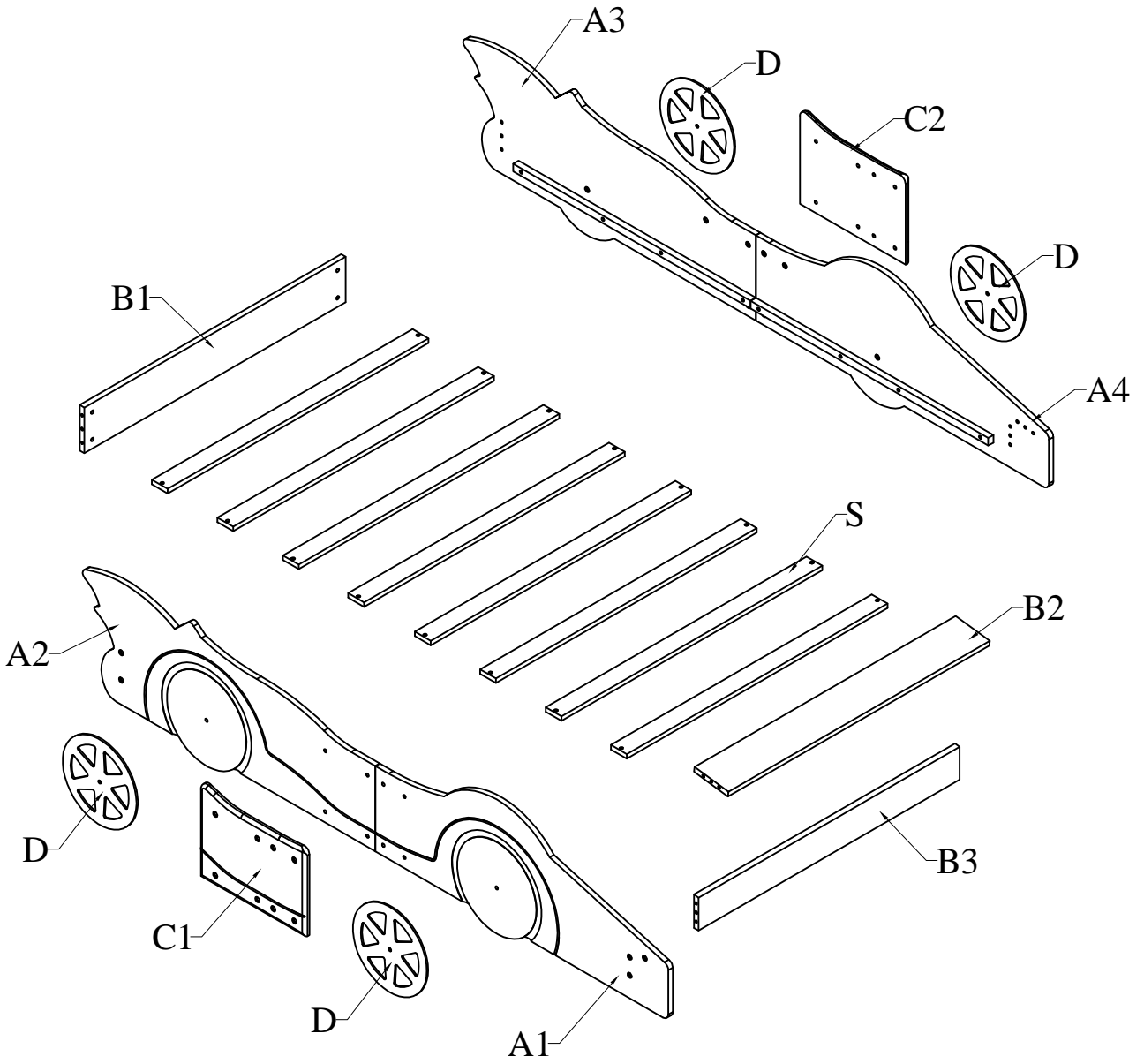


ASSEMBLY INSTRUCTIONS

ITEM CODE: WF298789

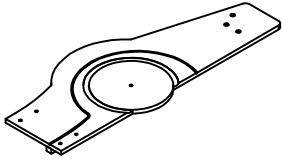


DETAIL VIEW



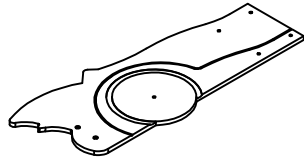
BOX: WF298789

A1



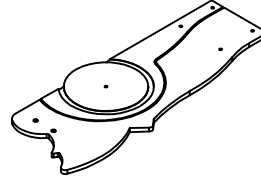
Left side rail - front (1pc)

A2



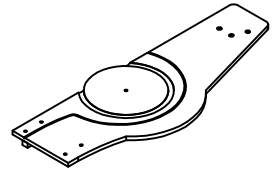
Left side rail - back (1pc)

A3



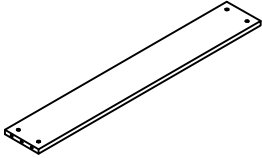
Right side rail - back (1pc)

A4



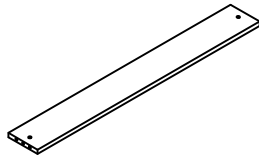
Right side rail - front (1pc)

B1



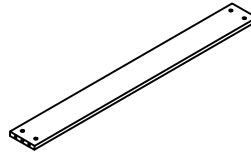
Horizontal rail - back (1pc)

B2



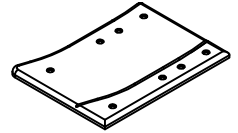
Car headboard (1pc)

B3



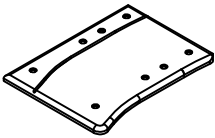
Horizontal rail - front (1pc)

C1



Support side rail - left (1pc)

C2



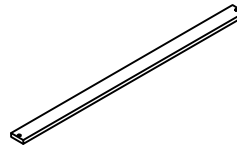
Support side rail - right (1pc)

D



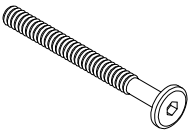


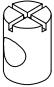
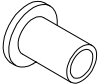
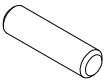
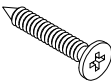
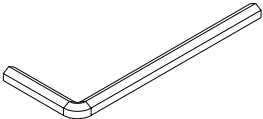
Wheel car - right (4pcs)

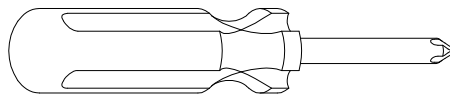
S



Slats (8pcs)

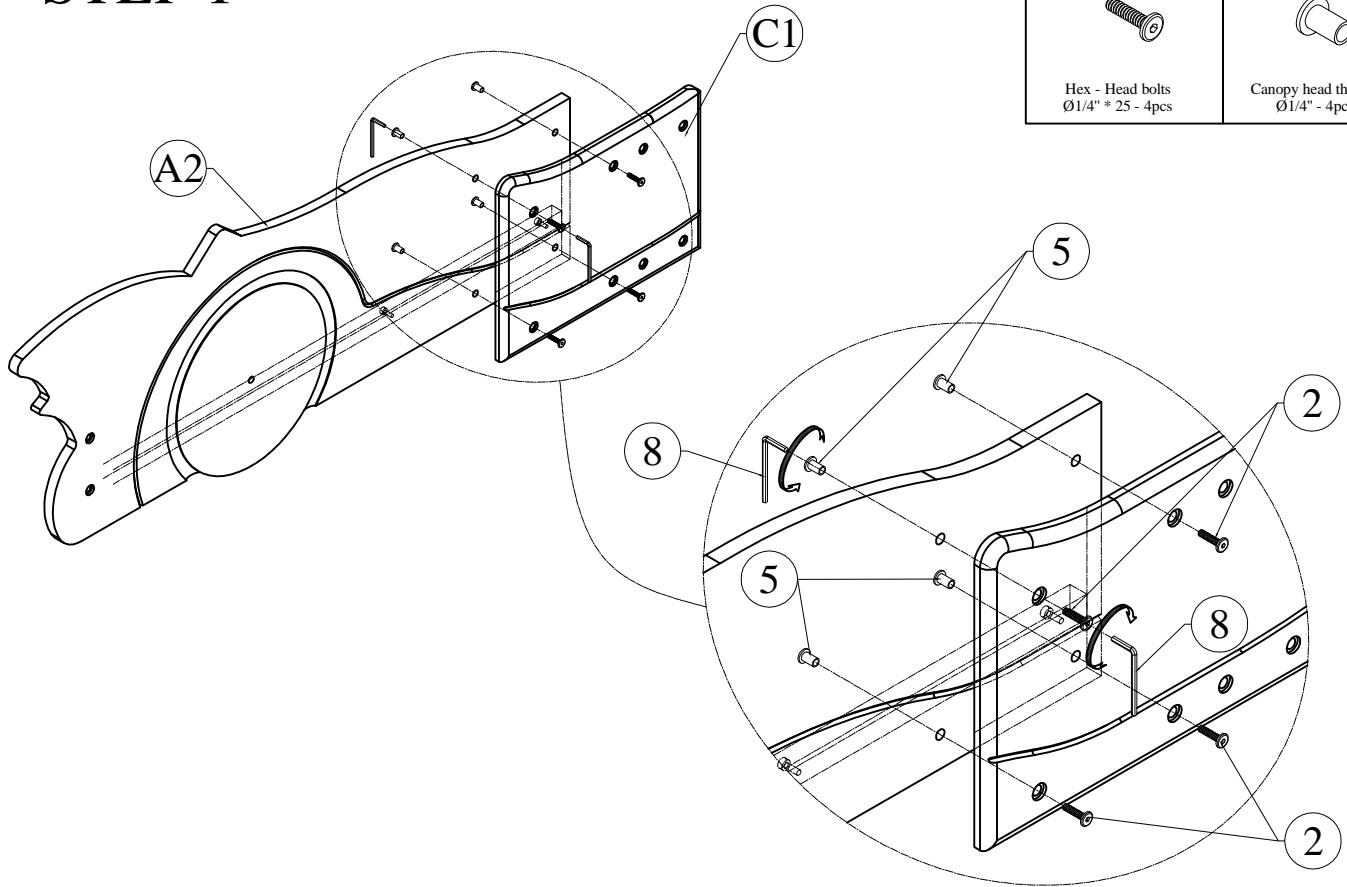
HARDWARE LIST: WF298789

<p>1</p>  <p>Hex - Head bolts Ø1/4" * 60 - 10pcs</p>	<p>2</p>  <p>Hex - Head bolts Ø1/4" * 25 - 16pcs</p>	<p>3</p>  <p>Hex - Head bolts Ø1/4" * 15 - 4pcs</p>	<p>4</p>  <p>Horizontal - Hold bolts Ø1/4" - 10pcs</p>
<p>5</p>  <p>Canopy head though Ø1/4" - 20pcs</p>	<p>9</p>  <p>Wood dowel Ø8 * 30 - 8pcs</p>	<p>7</p>  <p>Wood crews M4 * 25 - 16pcs</p>	<p>8</p>  <p>Allen key K4 - 2pc</p>

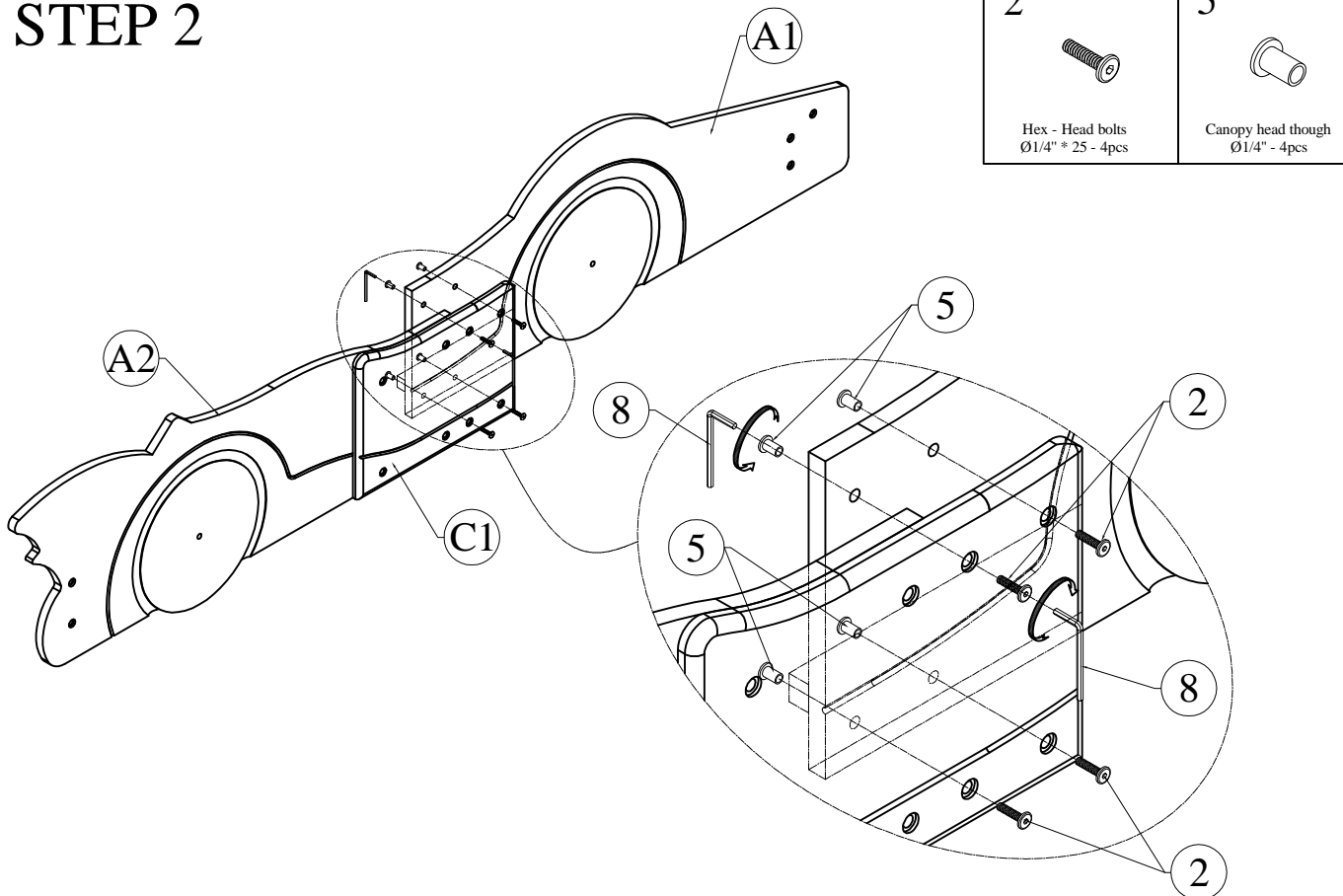


Assembly Tools Required (Not Included)

STEP 1



STEP 2



STEP 3

2

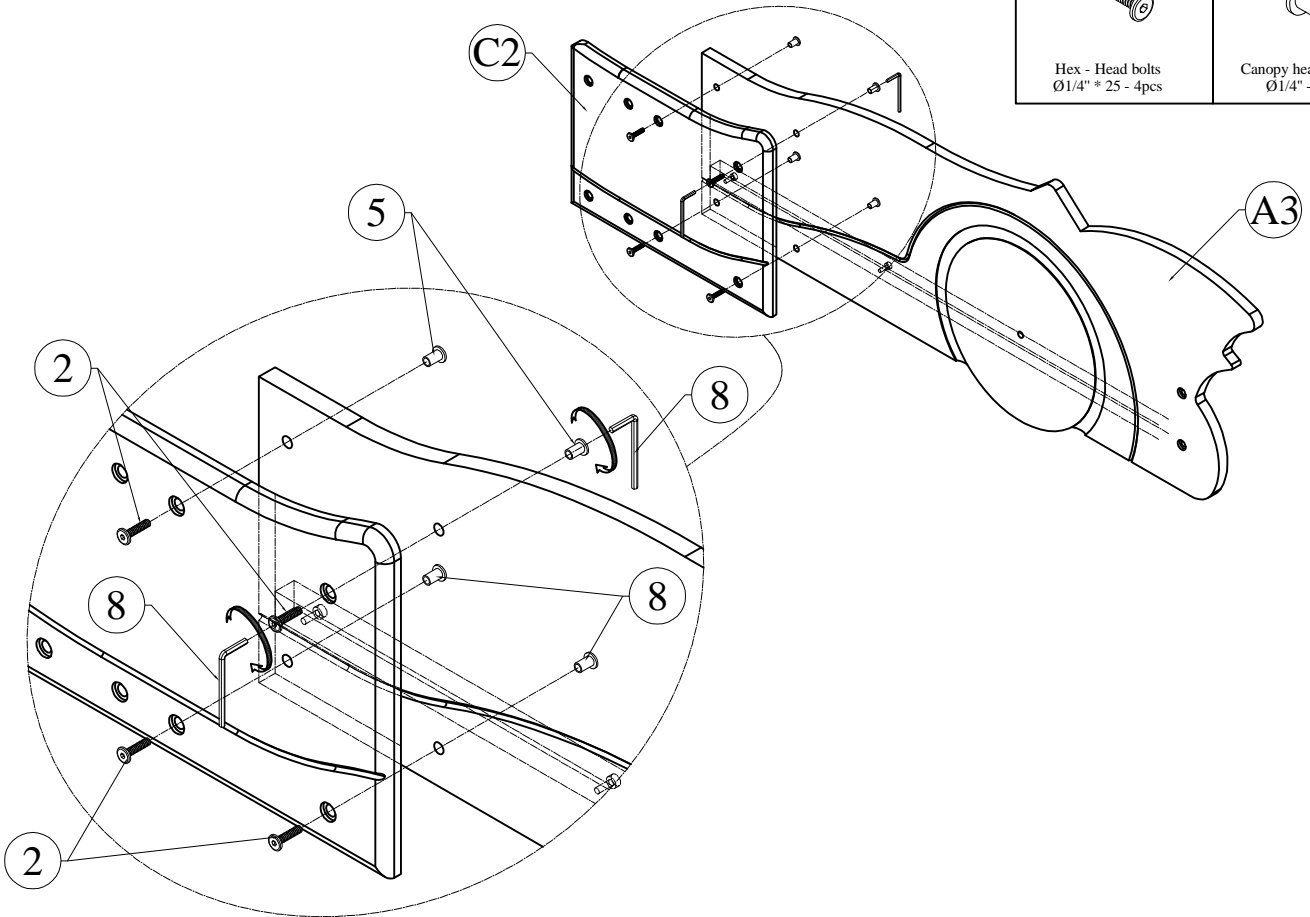


Hex - Head bolts
Ø1/4" * 25 - 4pcs

5



Canopy head though
Ø1/4" - 4pcs



STEP 4

2

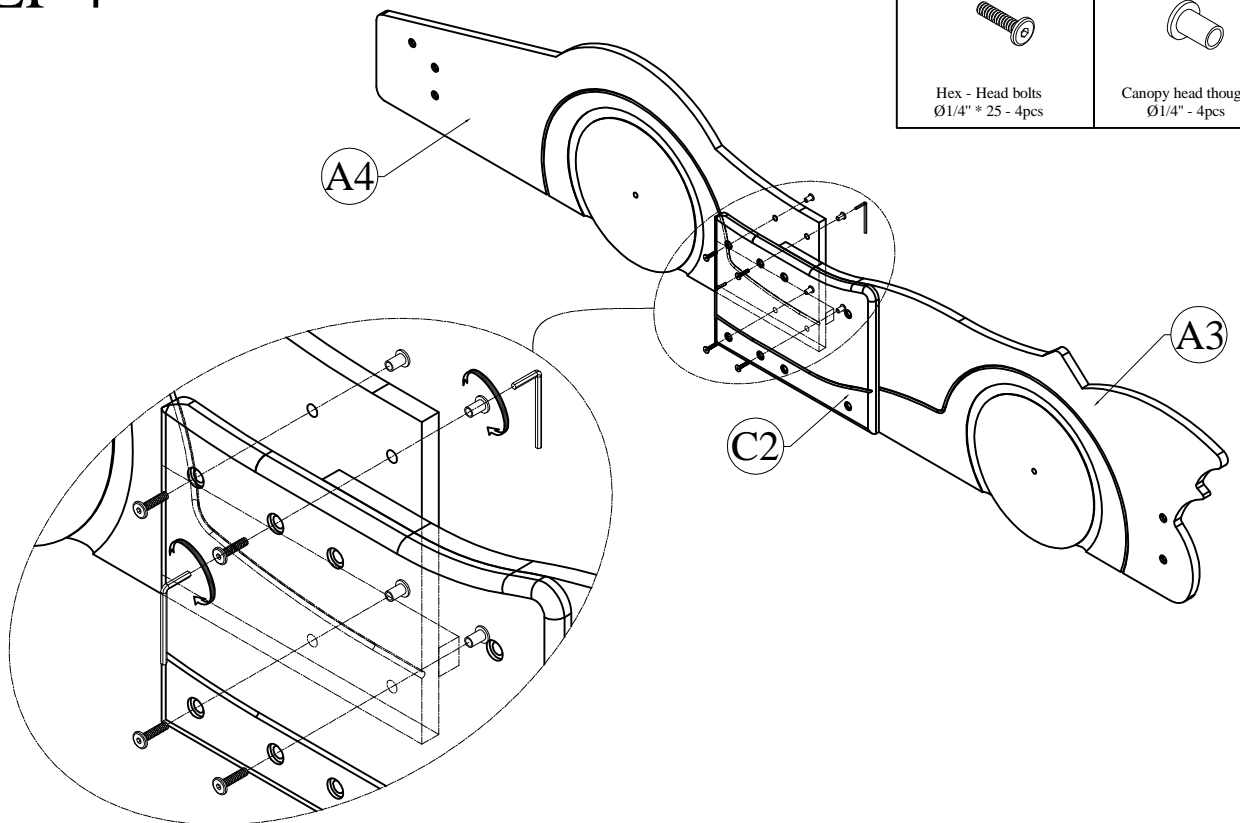


Hex - Head bolts
Ø1/4" * 25 - 4pcs

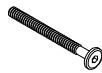
5





Canopy head though
Ø1/4" - 4pcs

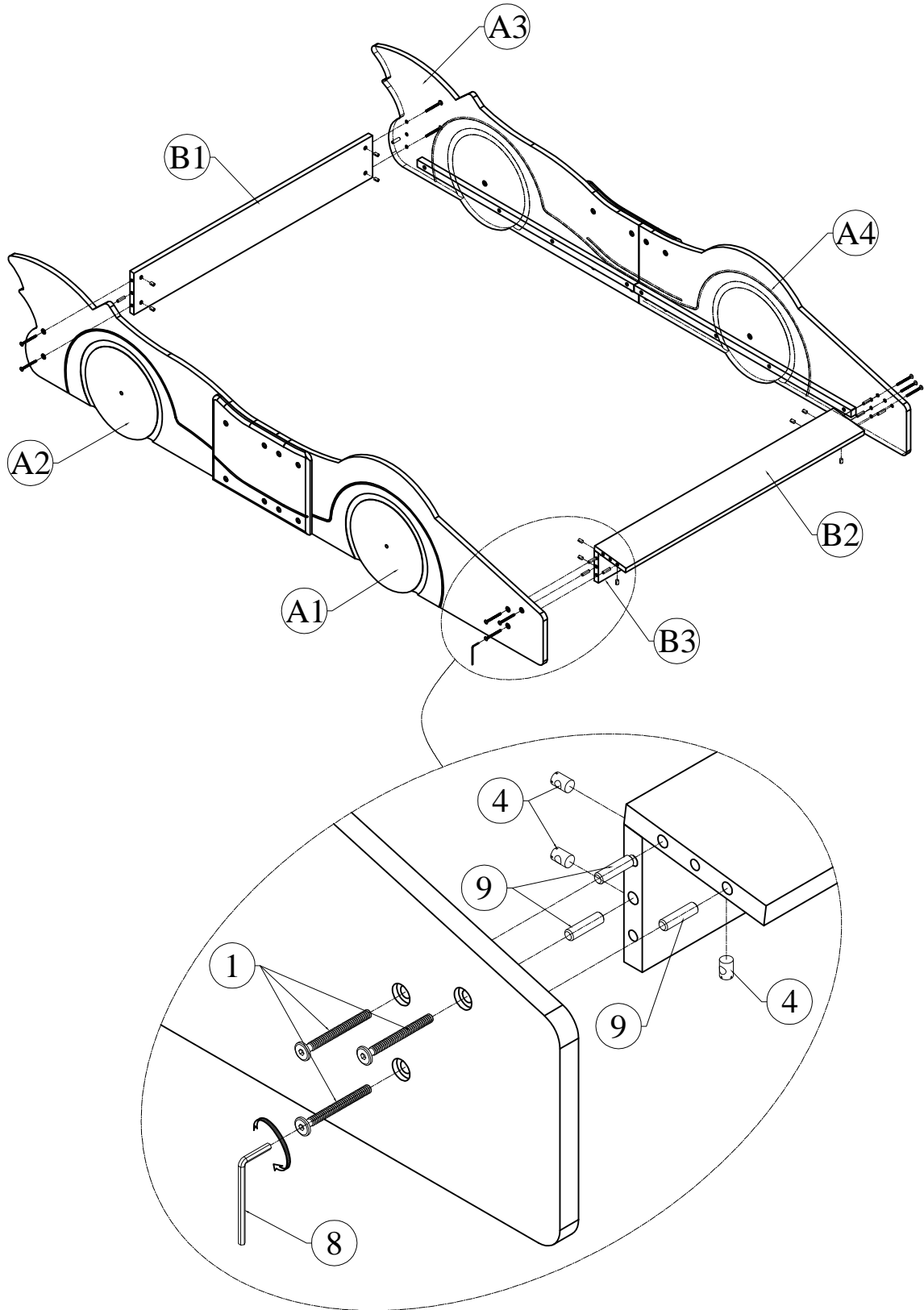


STEP 5

1

Hex - Head bolts
Ø1/4" * 60 - 10pcs

4

Horizontal - Hold bolts
Ø1/4" - 10pcs

9

Wood dowel
Ø8 * 30 - 8pcs



STEP 6

3

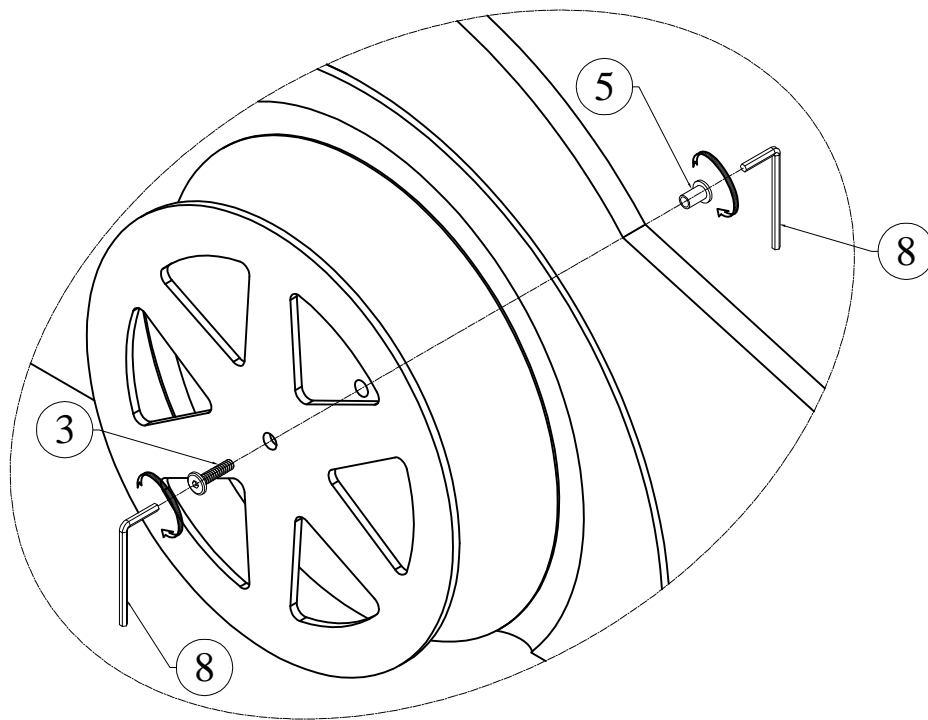
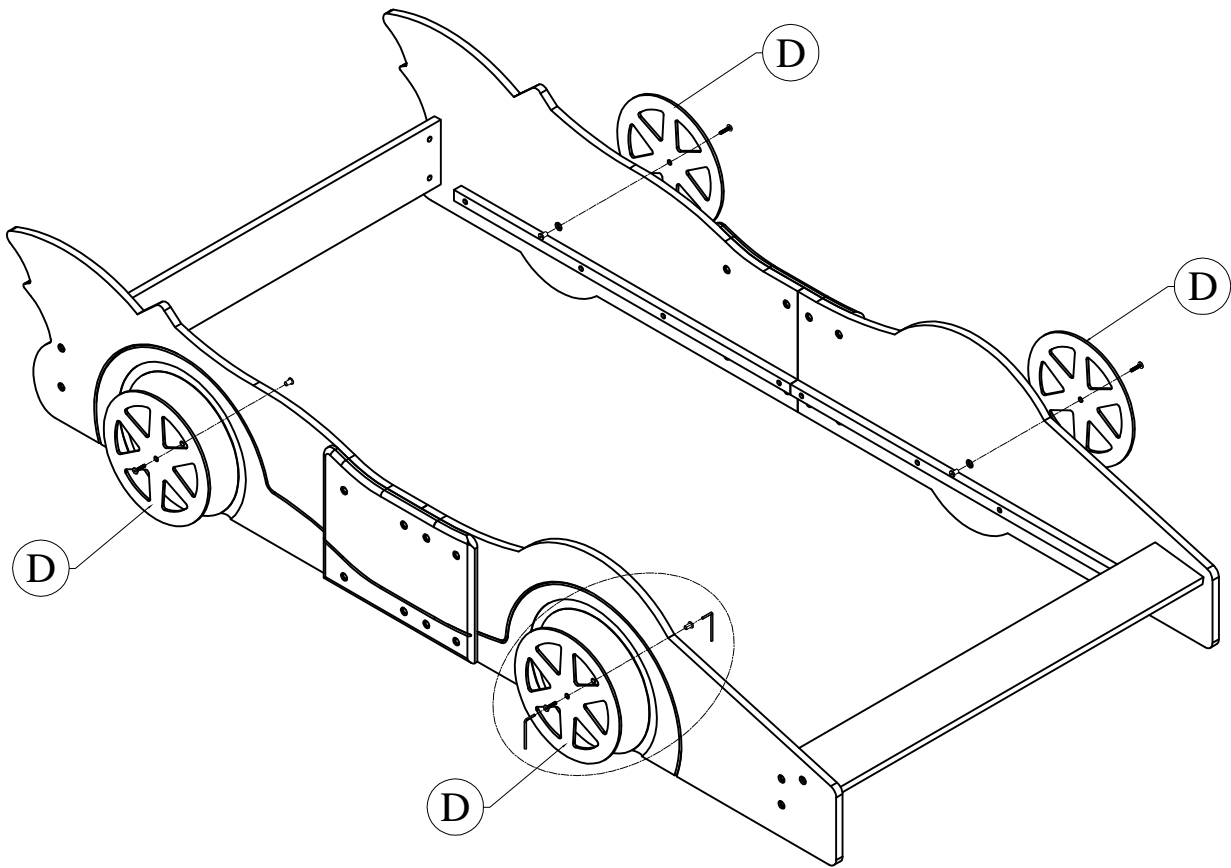


Hex - Head bolts
Ø1/4" * 15 - 4pcs

5



Canopy head though
Ø1/4" - 4pcs

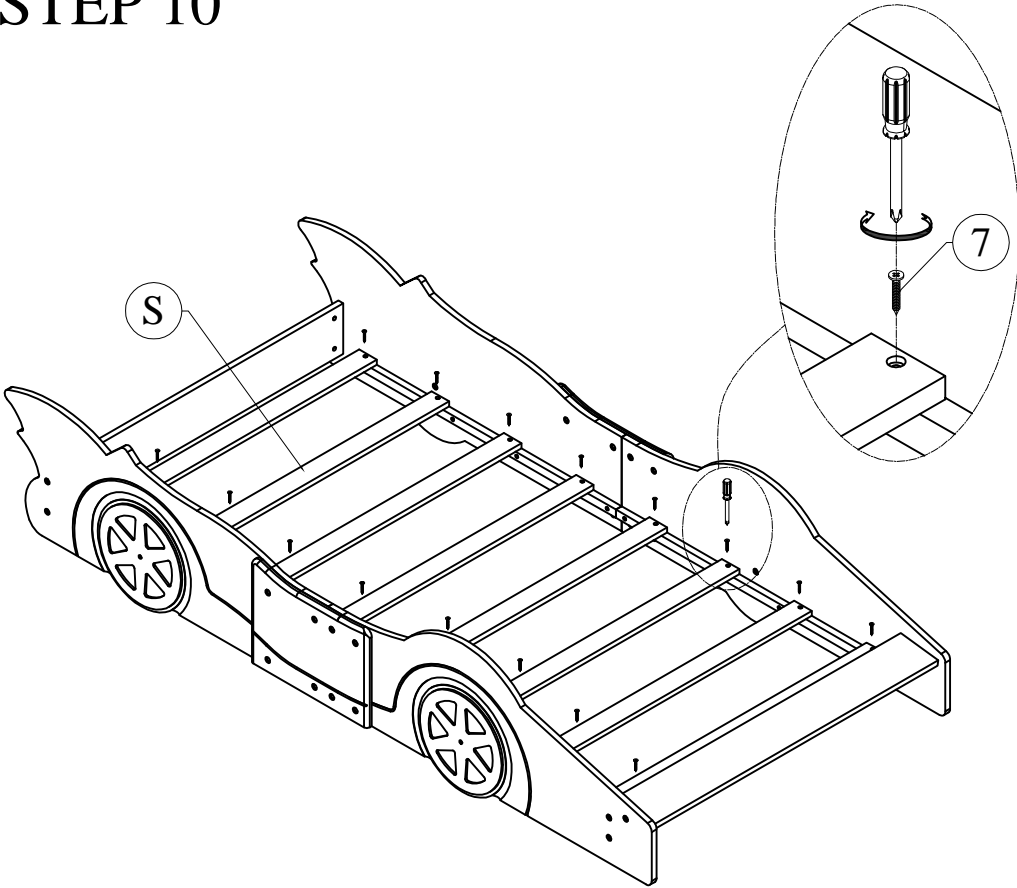


STEP 10

7



Wood screws
M4 # 25 - 16pcs



COMPLETED

