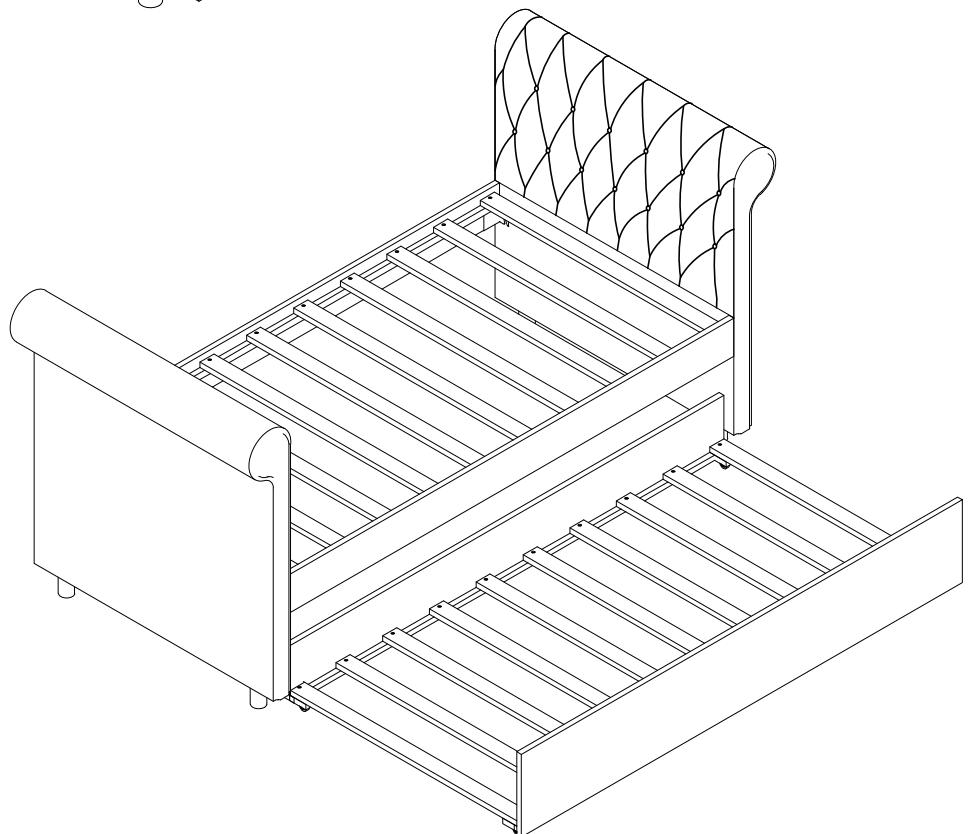
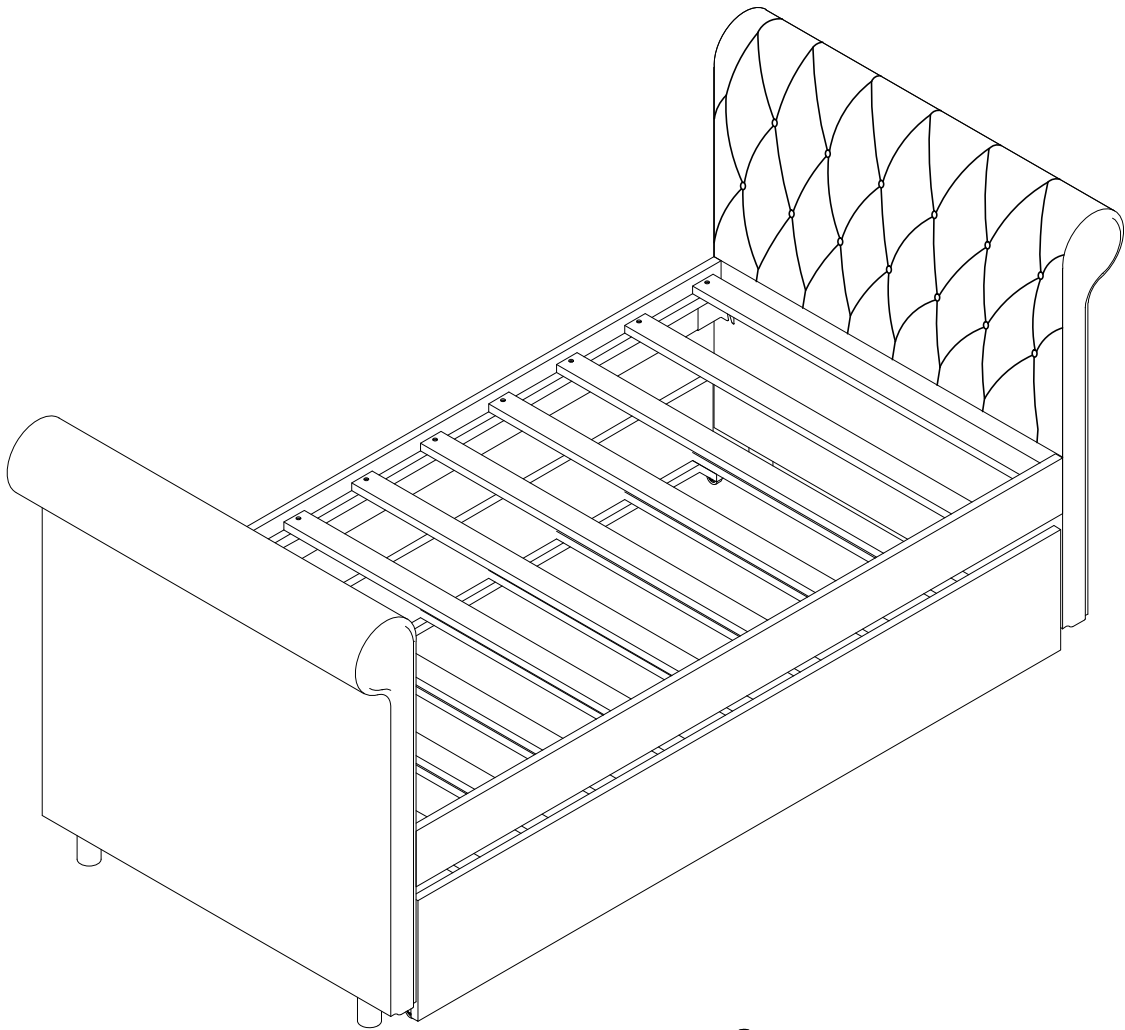
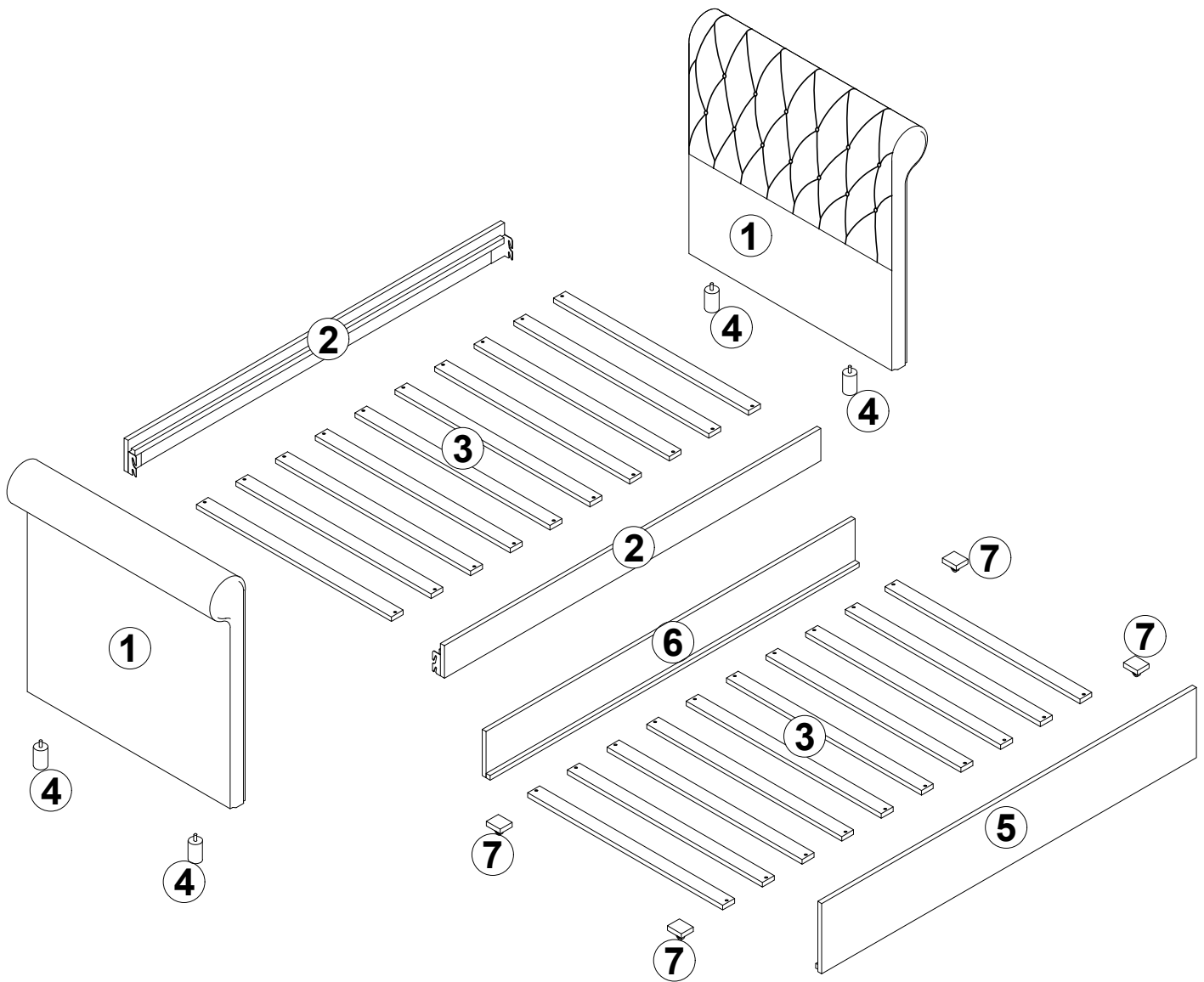


# ASSEMBLY INSTRUCTION

SKU CODE: WF295293/WF295294



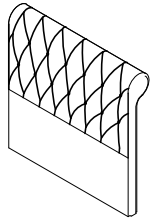
# Detail view -TWIN BED WITH TRUNDLE



Identifying the Hardware - Identify the hardware using the illustrations below.

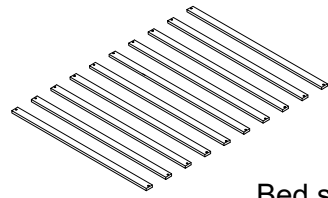
# Part Lists: WF295293

1



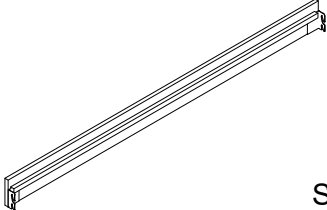
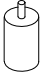
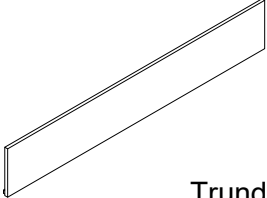
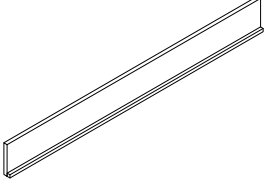

Headboard-2pc

3


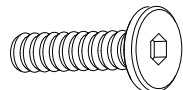


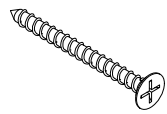
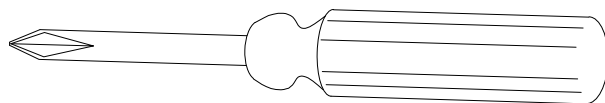


Bed slat -20pcs

# Part Lists: WF295294

|   |  |
|---|--|
| <p><b>2</b></p>  <p>Side rail -2pcs</p>          | <p><b>4</b></p>  <p>Headboard foot -4pcs</p>    |
| <p><b>5</b></p>  <p>Trundle front panel -1pc</p> | <p><b>6</b></p>  <p>Trundle back panel -1pc</p> |
| <p><b>7</b></p>  <p>Wheel support -4pcs</p>      |  |

## Hardware Lists: WF295293

|   |   |
|---|---|
| <div data-bbox="124 145 183 179" style="border: 1px solid black; padding: 2px; width: fit-content;">A</div> <div data-bbox="335 201 470 268" style="text-align: center;">  </div> <div data-bbox="335 313 542 392" style="text-align: center;"> <p>4mm<br/>Allen key (1pc)</p> </div>          | <div data-bbox="821 145 880 179" style="border: 1px solid black; padding: 2px; width: fit-content;">B</div> <div data-bbox="1077 168 1260 257" style="text-align: center;">  </div> <div data-bbox="1037 313 1324 392" style="text-align: center;"> <p>Ø5/16" x 25mm<br/>Hex-head bolt (8pcs)</p> </div> |
| <div data-bbox="124 392 183 425" style="border: 1px solid black; padding: 2px; width: fit-content;">C</div> <div data-bbox="422 459 486 526" style="text-align: center;">  </div> <div data-bbox="335 560 630 638" style="text-align: center;"> <p>Ø5/16"<br/>Spring washer (8pcs)</p> </div>  | <div data-bbox="821 392 880 425" style="border: 1px solid black; padding: 2px; width: fit-content;">D</div> <div data-bbox="1077 448 1141 515" style="text-align: center;">  </div> <div data-bbox="1037 560 1284 638" style="text-align: center;"> <p>Ø5/16"<br/>Flat washer(8pcs)</p> </div>           |
| <div data-bbox="124 638 183 672" style="border: 1px solid black; padding: 2px; width: fit-content;">E</div> <div data-bbox="351 672 518 784" style="text-align: center;">  </div> <div data-bbox="335 806 622 884" style="text-align: center;"> <p>Ø4 x 30mm<br/>Wood screw (48pcs)</p> </div> |   |
| <div data-bbox="438 974 1045 1075" style="text-align: center;">  </div> <div data-bbox="422 1108 1117 1142" style="text-align: center;"> <p>ASSEMBLY TOOLS REQUIRED ( NOT INCLUDED )</p> </div>  |   |

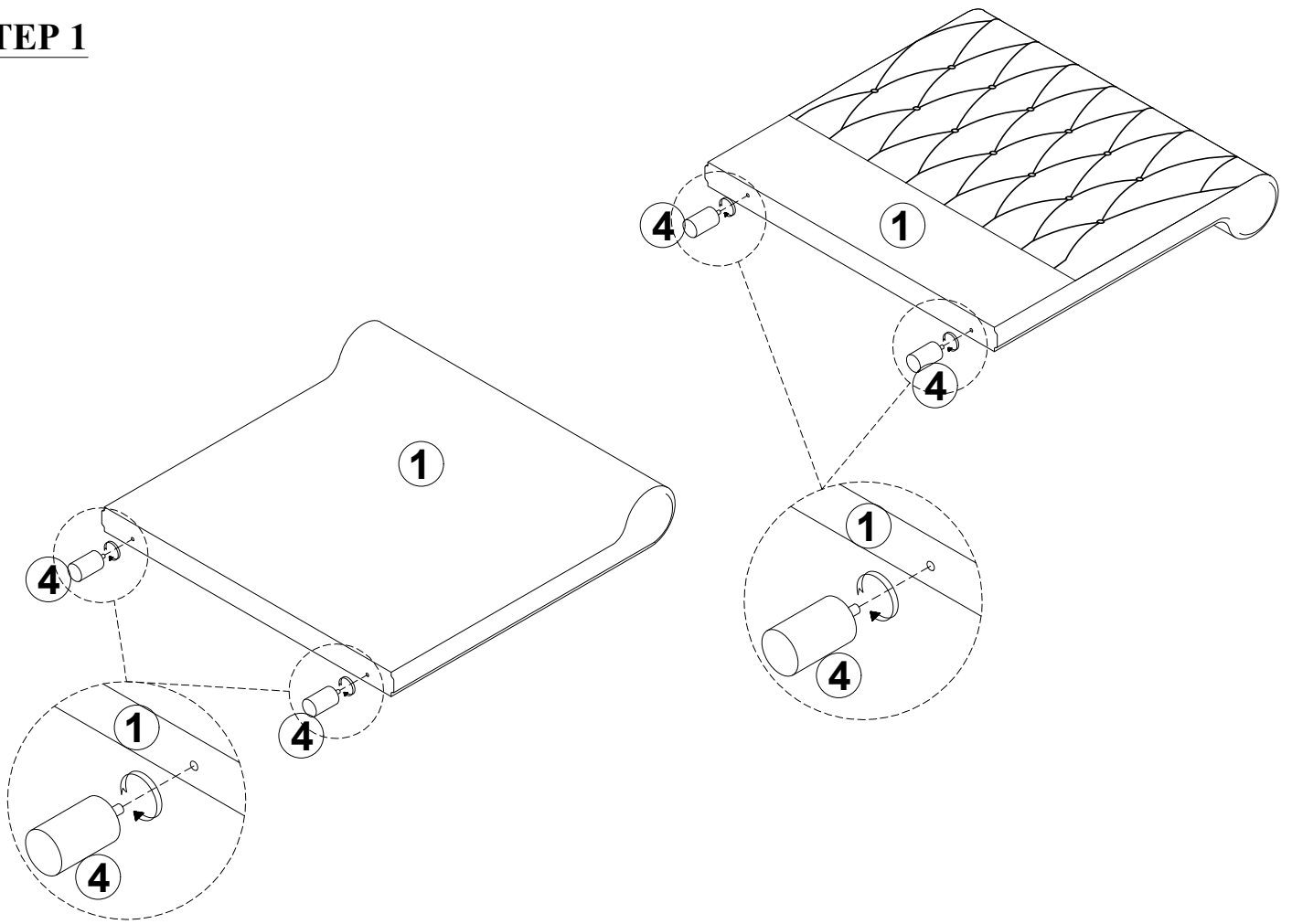
Read this instruction carefully. See hardware and furniture part list for guidance. Be sure all parts are complete, before you assemble. Place all wooden furniture parts on a clean and flat soft surface to prevent from being scratched. Follow the figure to start assembling.

**CAUTIONS :**

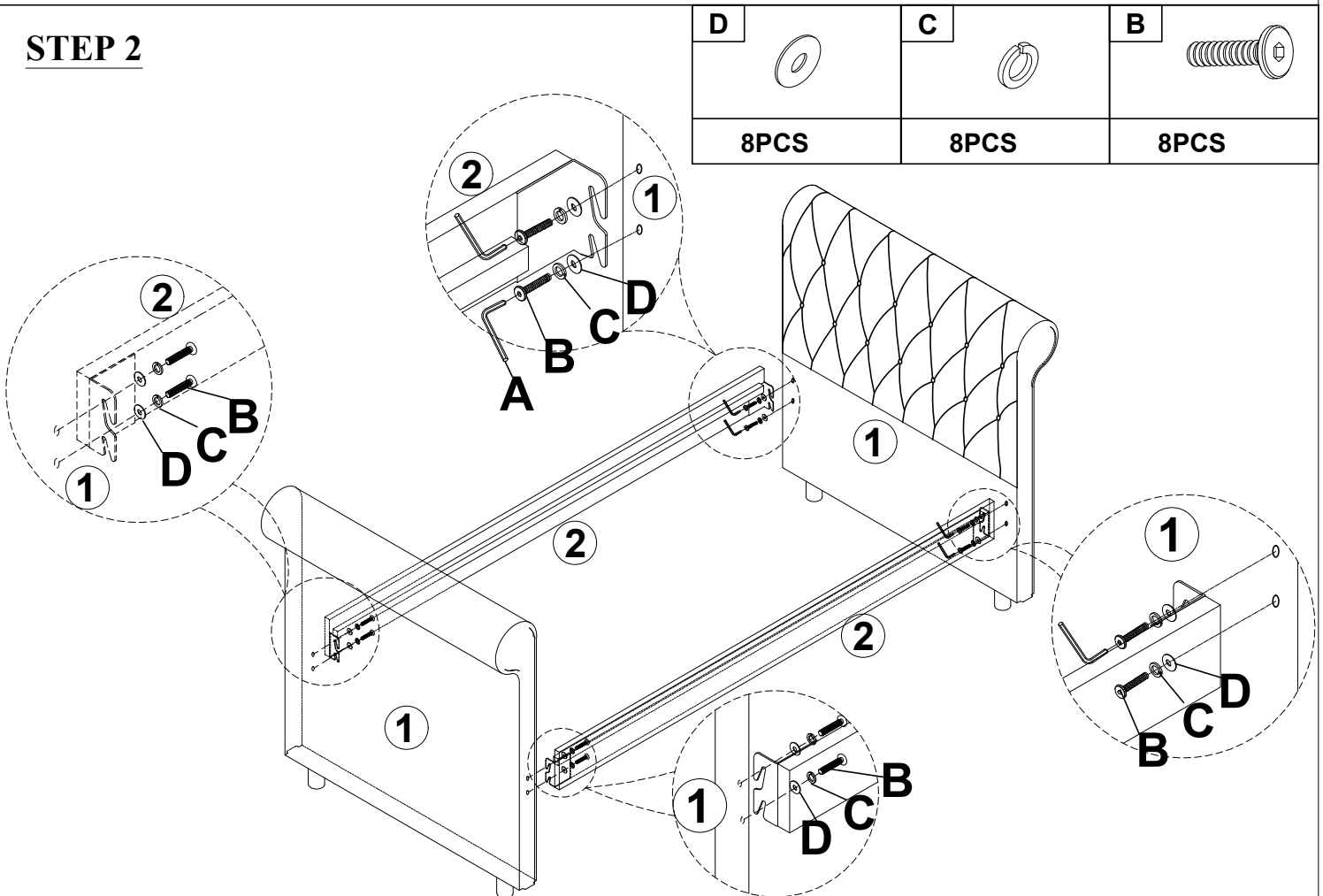
1. Do not FULLY - TIGHTEN the nut or nut bolt until all nut or bolt is ready assembled.
2. Do not OVER - TIGHTEN the nut or bolt to avoid causing damages to the thread.
3. Keep all hardware parts out of reach of children.

**NOTE : THE LIST AND QUANTITY SHOWN ARE FOR 1 UNIT ASSEMBLY.**

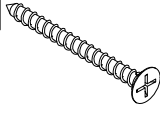
# STEP 1

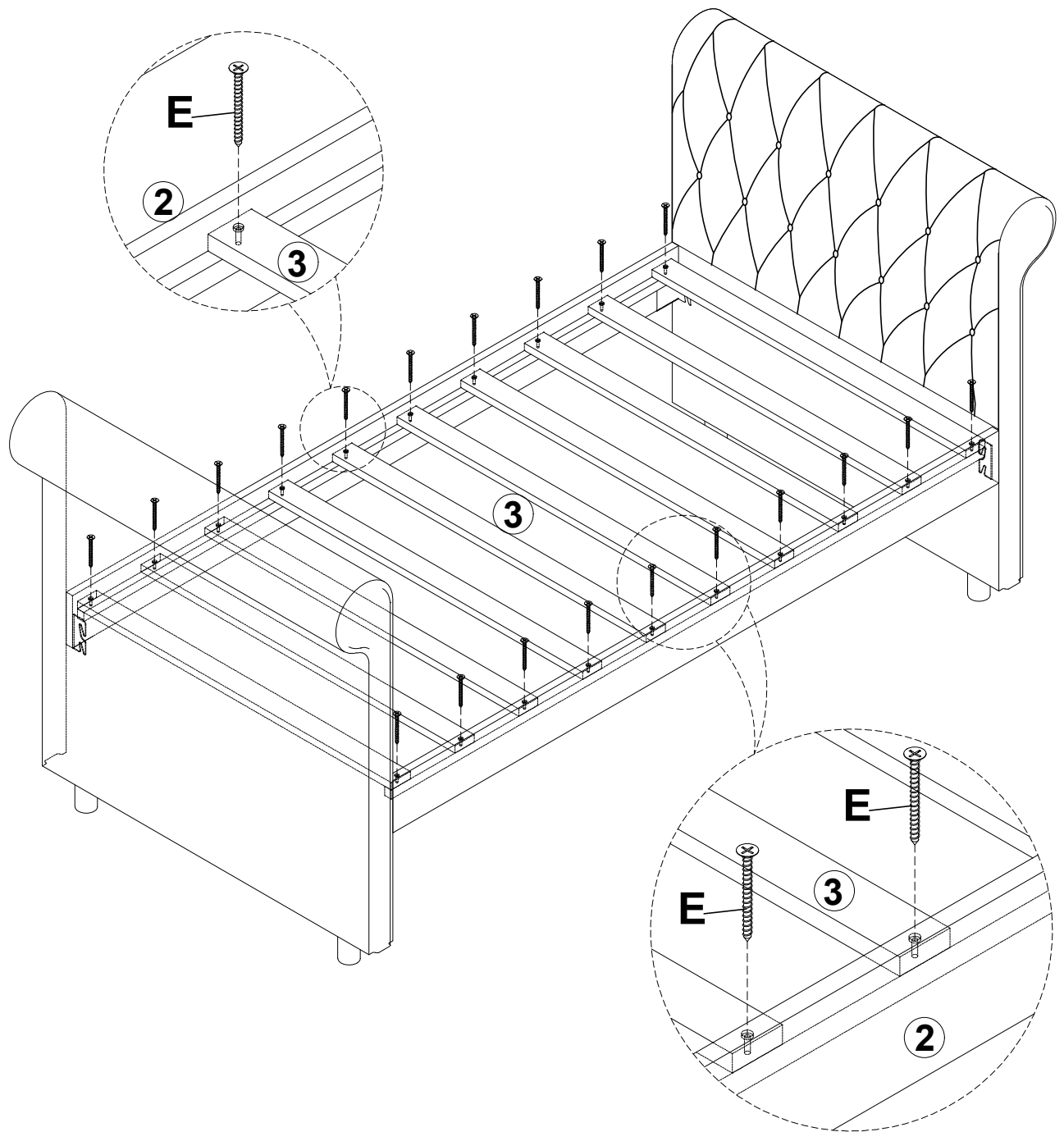


# STEP 2

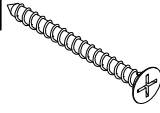


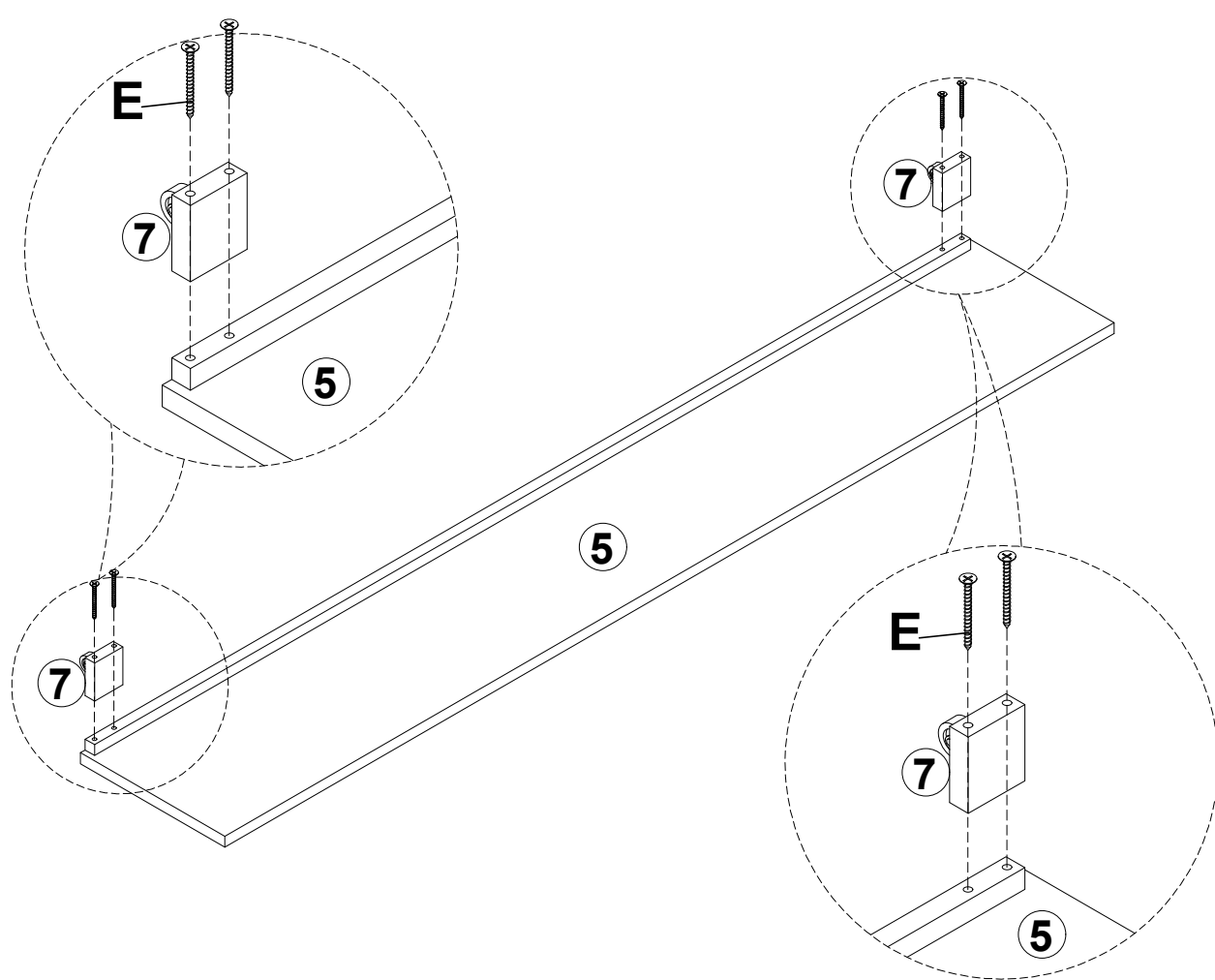
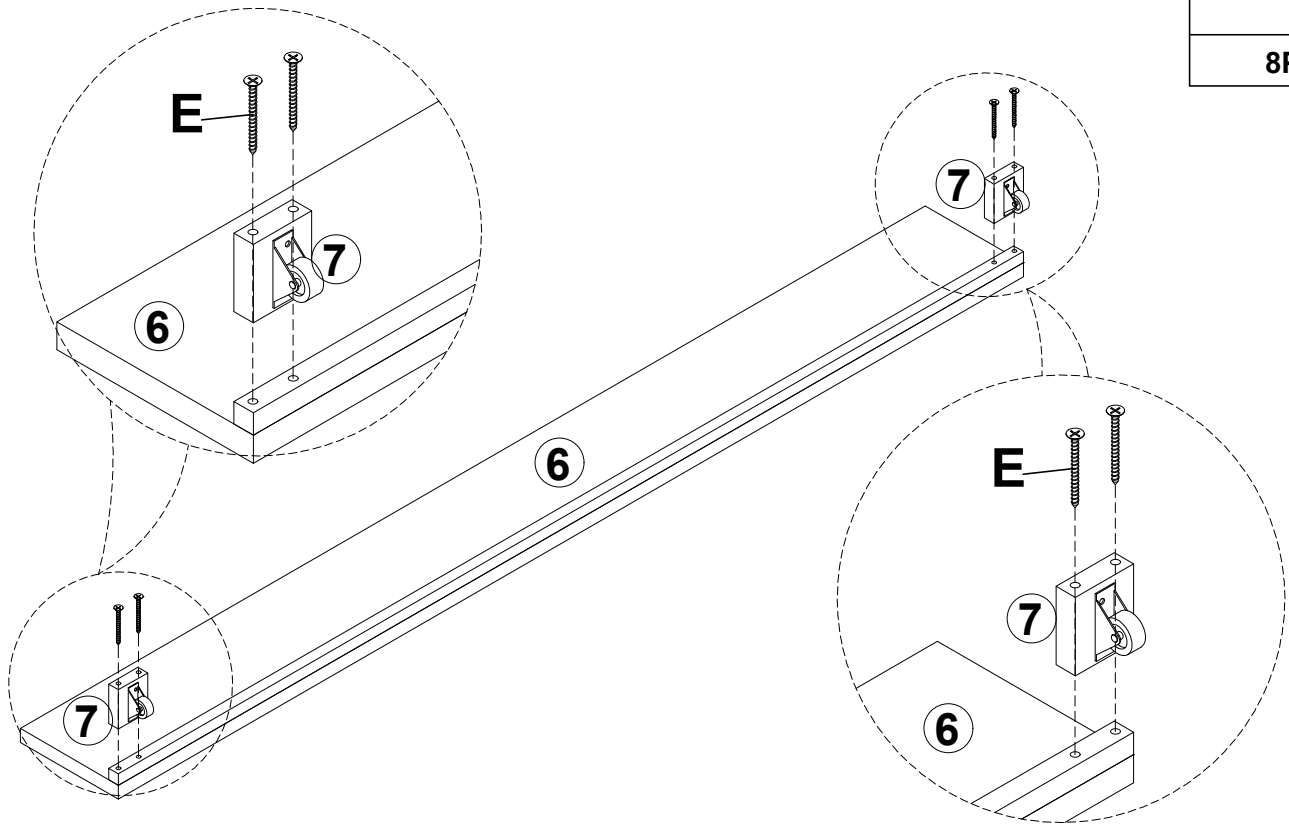
# STEP 3

|              |  |
|--------------|--|
| <b>E</b>     |  |
| <b>20PCS</b> |  |



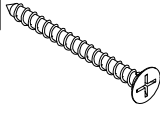
# STEP 4

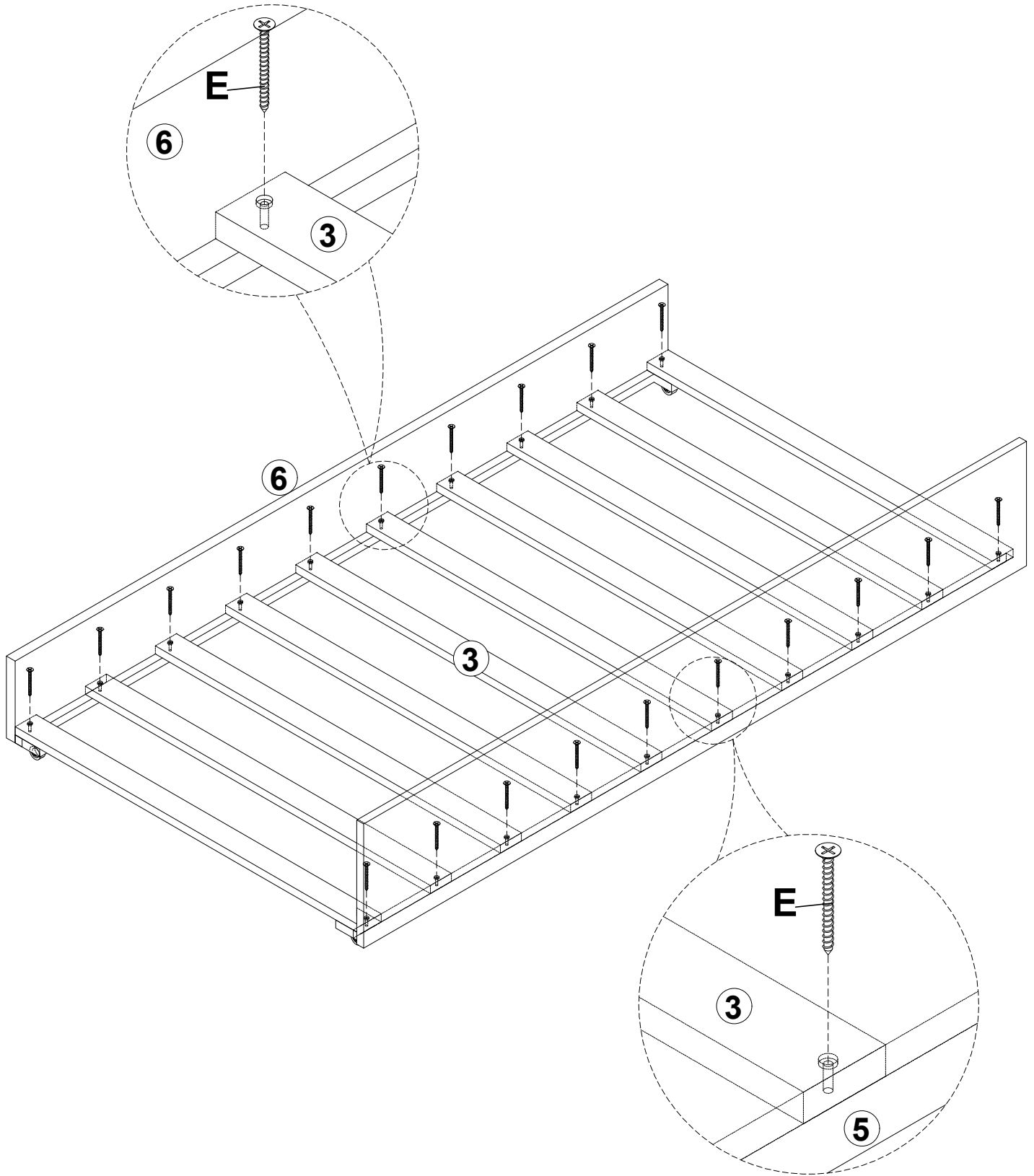
|             |  |
|-------------|--|
| <b>E</b>    |  |
| <b>8PCS</b> |  |





# STEP 5

|              |  |
|--------------|--|
| <b>E</b>     |  |
| <b>20PCS</b> |  |



**STEP 6**

