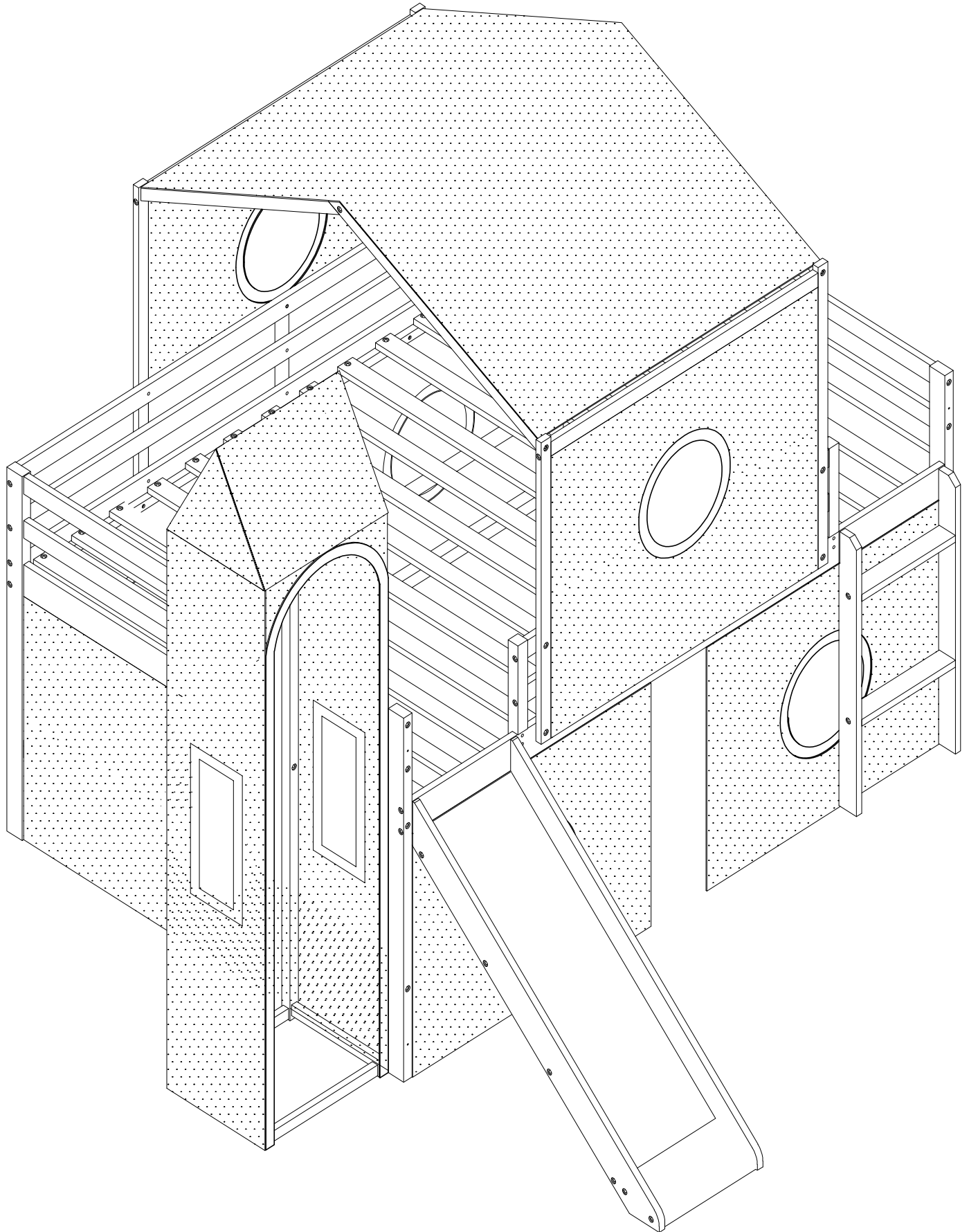


ASSEMBLY INSTRUCTION

SKU CODE: WF298771





SAFETY WARNINGS



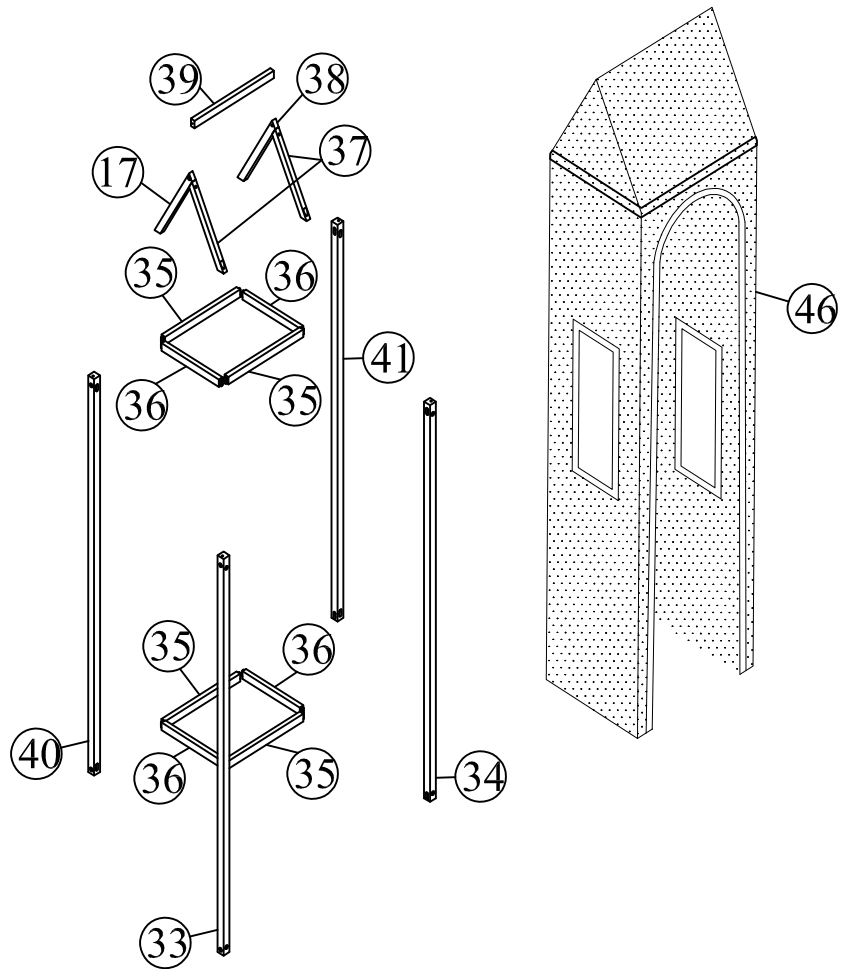
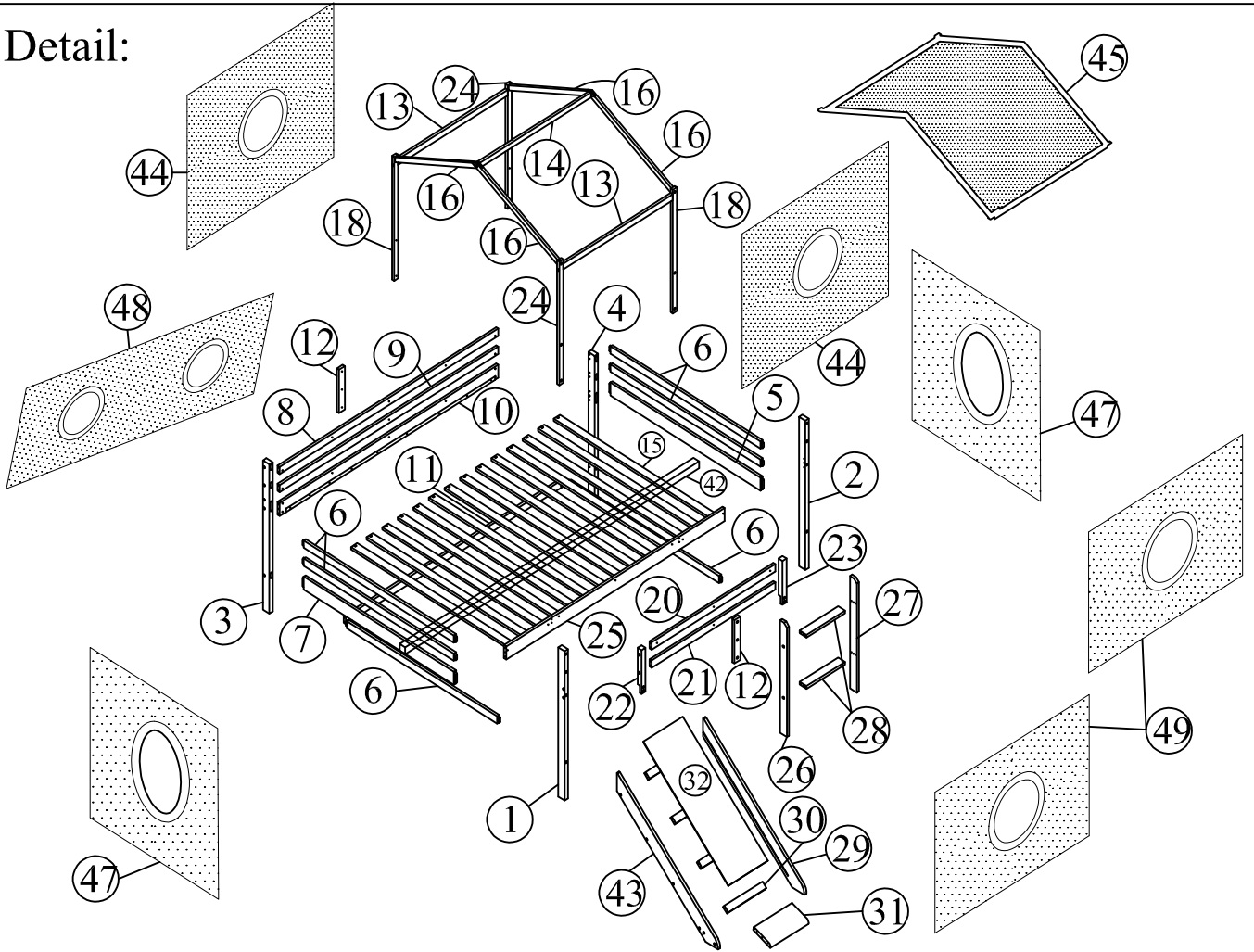
1. This bed is designed for use only mattress(es) meeting the following specifications on the upper bunk:
Upper bunk (bunk bed and tribed included)

Upper bed





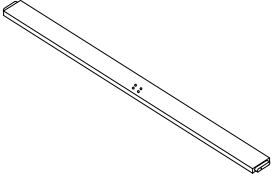
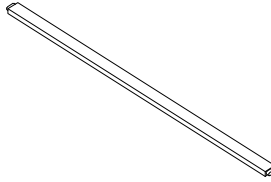
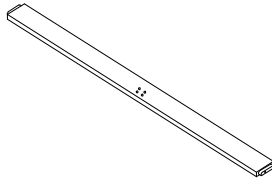
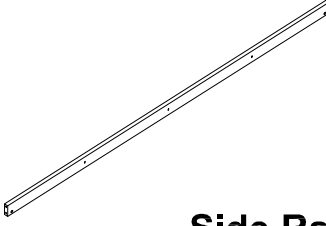
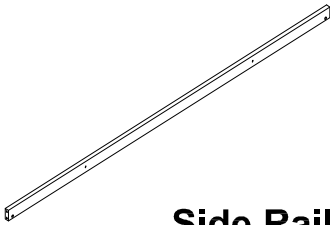
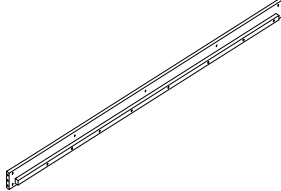
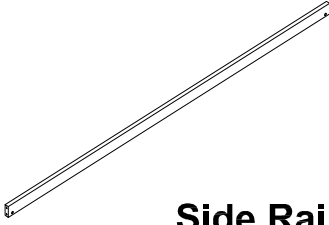

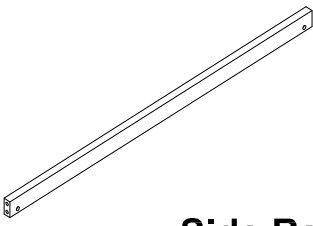

<i>Bed Type</i>	<i>Length</i>	<i>Width</i>	<i>Thickness</i>
<i>Full Standard</i>	<i>74"-75"</i>	<i>53 1/2"- 54"</i>	<i>6" max</i>

2. Replacement parts, including additional guardrails, maybe obtained from any of our (GIGACLOUDTECHNOLOGY (USA) INC. 18961 ARENTH AVENUE CITY OF INDUSTRY, CA, 91748) dealers.
3. Follow the information on the warnings appearing on the upper bunk bed end structure and on the carton. Do not remove warning label from bed.
4. Always use the recommended size mattresses or mattress supports, or both, to help prevent the likelihood of entrapment or falls.
5. Surface of the mattress must be at least 5". (127 mm) below the upper edge of guardrails.
6. Do not allow children under 6 years of age to use the upper bunk.
7. Periodically check and ensure that the guardrail, ladder, and other components are in their proper position, free from damage, and that all connectors are tight.
8. Do not allow horseplay on or under the bed and prohibit jumping on the bed
9. Always use the ladder for entering and leaving the upper bunk.
10. Do not use substitute parts. Contact the manufacturer or dealer for replacement parts.
11. Use of a night light may provided added safety precaution for a child using the upper bunk.
12. Always use guardrails on both long sides of the upper bunk. If the bunk bed will be placed next to the wall, the guardrail that runs the full length of the bed should be placed against the wall to prevent entrapment between the bed and wall.
13. The use of water or sleep flotation mattresses is prohibited.
14. STRANGULATION HAZARD - Never attach or hang items to any part of the bunk bed that are not designed for use with the bed; for example, but not limited to, hook, belts and jump ropes.
15. Keep these instructions for future reference
16. Prohibit more than one person on upper bunk.
17. We recommend assembling your bunk bed on the shipping carton to protect your floor or carpet.
18. Be certain all staples are out of the box before beginning assembly on the shipping carton.

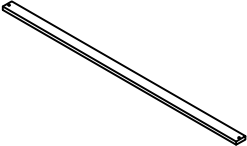
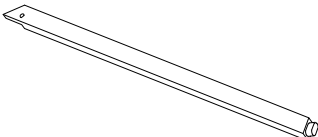
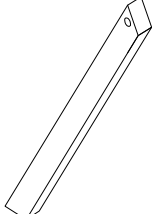
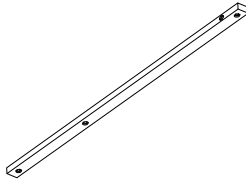
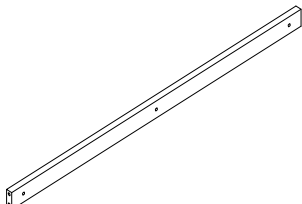
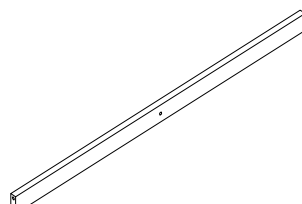
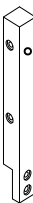

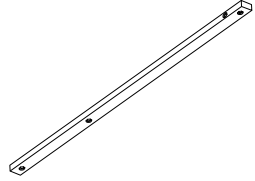
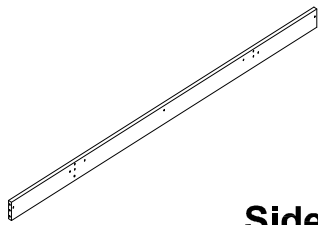
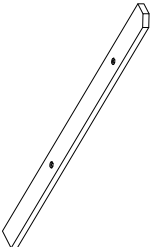
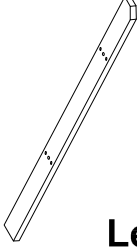
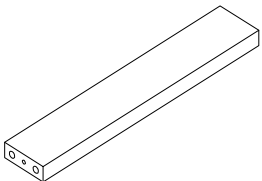
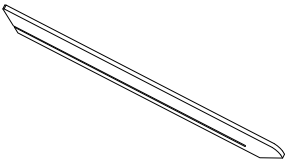
Detail:



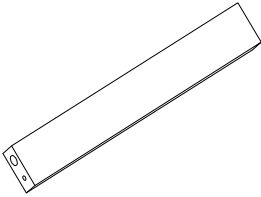
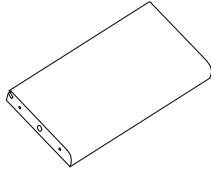
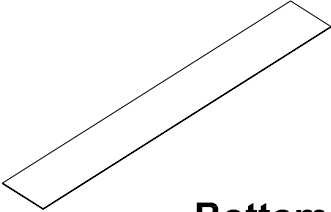
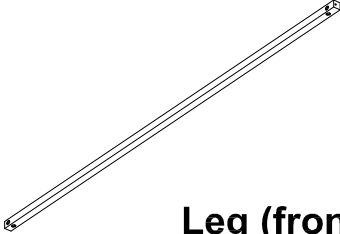

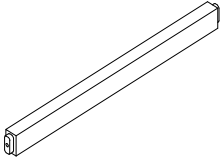
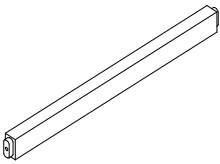
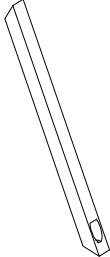
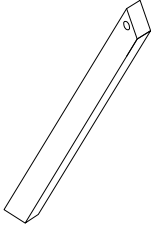
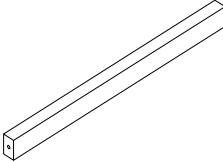
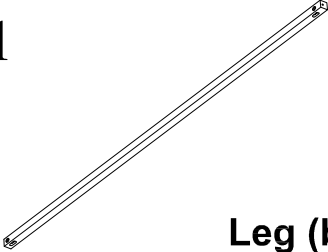
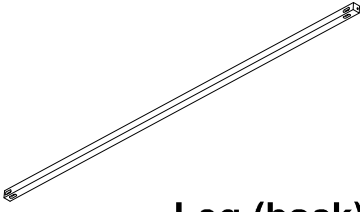
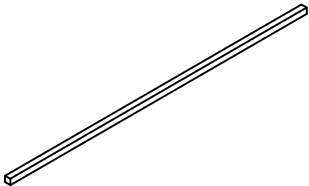
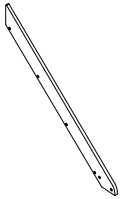
Part List (WF298771)

<p>① x1</p>  <p>Front (Left) Upper Leg</p>	<p>② x1</p>  <p>Front (Right) Upper Leg</p>
<p>③ x1</p>  <p>Back (Left) Upper Leg</p>	<p>④ x1</p>  <p>Back (Right) Upper Leg</p>
<p>⑤ x1</p>  <p>Side Rail (Left) Guards</p>	<p>⑥ x6</p>  <p>Side Rail Guards</p>
<p>⑦ x1</p>  <p>Side Rail (Right) Guards</p>	<p>⑧ x1</p>  <p>Side Rail Guards</p>
<p>⑨ x1</p>  <p>Side Rail Guards</p>	<p>⑩ x1</p>  <p>Side Rails</p>
<p>⑪ x1</p>  <p>Side Rail Guards</p>	<p>⑫ x2</p>  <p>Side Rail Support</p>
<p>⑬ x2</p>  <p>Side Rail Guards</p>	<p>⑭ x1</p>  <p>Mid Under Frame Panel</p>

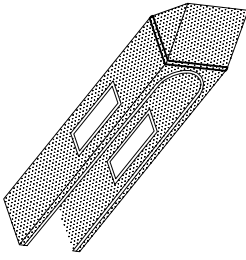
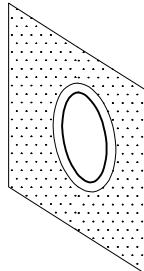
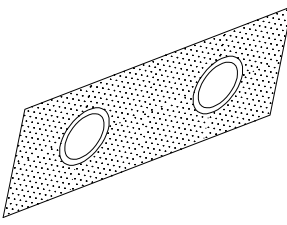
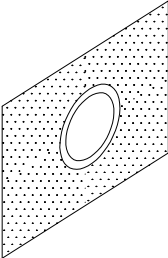
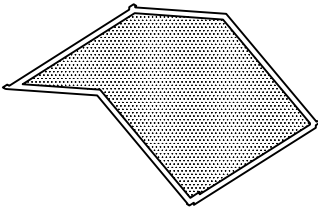
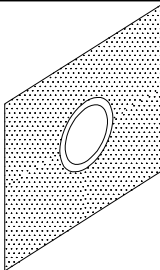
Part List (WF298771)

<p>15 x14</p>  <p style="text-align: center;">Slats</p>	<p>16 x4</p>  <p style="text-align: center;">Top Guard</p>
<p>17 x1</p>  <p style="text-align: center;">Frame Front</p>	<p>18 x2</p>  <p style="text-align: center;">Top Guard</p>
<p>20 x1</p>  <p style="text-align: center;">Side Rail Guards</p>	<p>21 x1</p>  <p style="text-align: center;">Side Rail Guards</p>
<p>22 x1</p>  <p style="text-align: center;">Hand Rail (Left)</p>	<p>23 x1</p>  <p style="text-align: center;">Hand Rail (Right)</p>
<p>24 x2</p>  <p style="text-align: center;">Top Guard</p>	<p>25 x1</p>  <p style="text-align: center;">Side Rails</p>
<p>26 x1</p>  <p style="text-align: center;">Left Leg Ladder</p>	<p>27 x1</p>  <p style="text-align: center;">Left Right Ladder</p>
<p>28 x2</p>  <p style="text-align: center;">Ladder Posts</p>	<p>29 x1</p>  <p style="text-align: center;">Side Rail (Right) Slide</p>

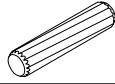
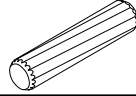
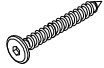

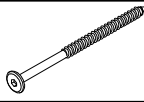

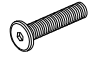


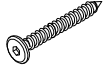
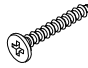
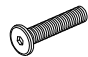
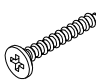
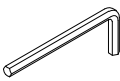

Part List (WF298771)

<p>③① x4</p>  <p style="text-align: center;">Support Slide</p>	<p>③② x1</p>  <p style="text-align: center;">Bottom Slide</p>
<p>③② x1</p>  <p style="text-align: center;">Bottom Slide</p>	<p>③③ x1</p>  <p style="text-align: center;">Leg (front) Left</p>
<p>③④ x1</p>  <p style="text-align: center;">Leg (front) Right</p>	<p>③⑤ x4</p>  <p style="text-align: center;">Frame Front</p>
<p>③⑥ x4</p>  <p style="text-align: center;">Frame Front</p>	<p>③⑦ x2</p>  <p style="text-align: center;">Frame Front</p>
<p>③⑧ x1</p>  <p style="text-align: center;">Frame Front</p>	<p>③⑨ x1</p>  <p style="text-align: center;">Frame Front</p>
<p>④① x1</p>  <p style="text-align: center;">Leg (back) Left</p>	<p>④② x1</p>  <p style="text-align: center;">Leg (back) Right</p>
<p>④③ x1</p>  <p style="text-align: center;">Support Slat</p>	<p>④④ x1</p>  <p style="text-align: center;">Side Rail (Left) Slide</p>

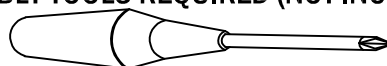
Part List (WF298771)

<p>46 x1</p>  <p>Farbic</p>	<p>47 x2</p>  <p>Farbic</p>
<p>48 x1</p>  <p>Farbic</p>	<p>49 x2</p>  <p>Farbic</p>
<p>45 x1</p>  <p>Farbic</p>	<p>44 x2</p>  <p>Farbic</p>

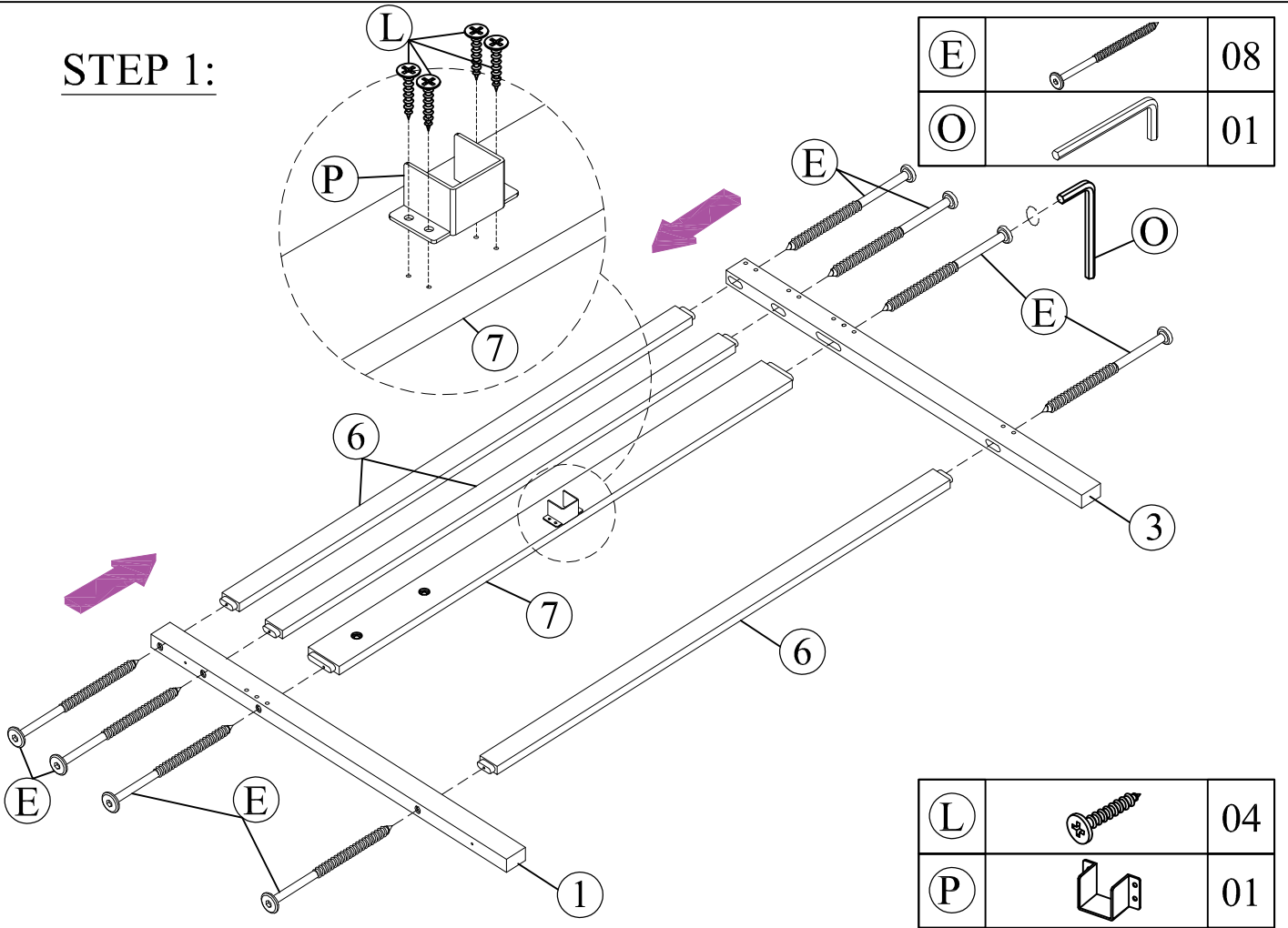
Hardware List (WF298771)



No.	OUTLOOK	DESC	QTY
(A)		Dowel Ø10*30mm	04
(B)		Dowel Ø10*40mm	32
(C)		Screws Ø6.5*30mm	04
(D)		Screws Ø6.5*50mm	32
(E)		Screws Ø6.5*70mm	16
(F)		Bolts 1/4"*70mm	22
(G)		Bolts 1/4"*30mm	08
(H)		Bolts 1/4"*25mm	04
(I)		Cross dowel 1/4"*13mm	22
(K)		Screws Ø6.5*30mm	08
(L)		Flat head screw #7*15mm	08
(M)		Bolts 1/4"*25mm	14
(N)		Flat head screw #8*25mm	28
(O)		Allen key 60*22*4mm	01
(P)		Metal base	02

ASSEMBLY TOOLS REQUIRED (NOT INCLUDED)

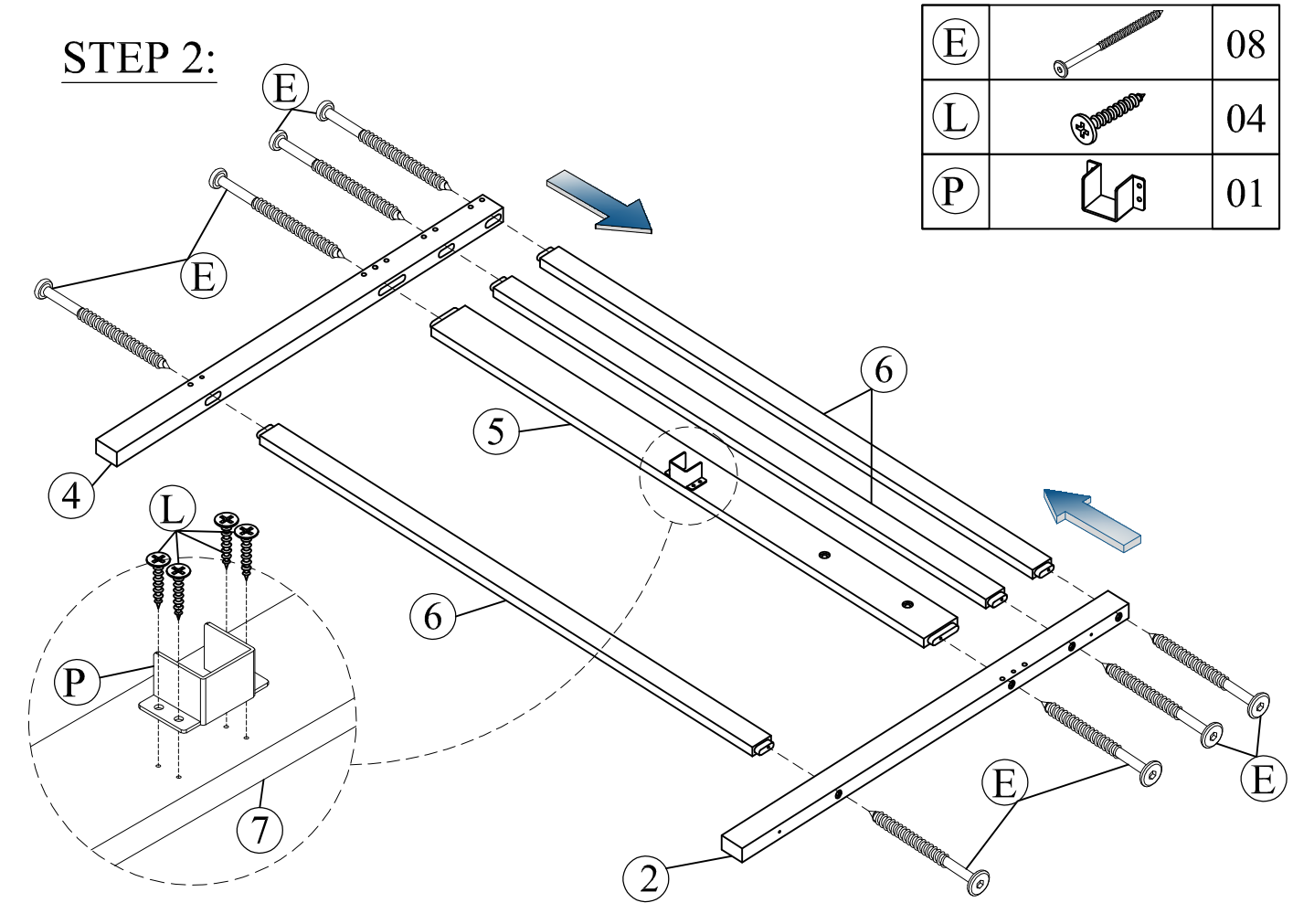


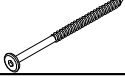


STEP 1:



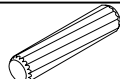
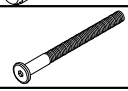


(L)		04
(P)		01

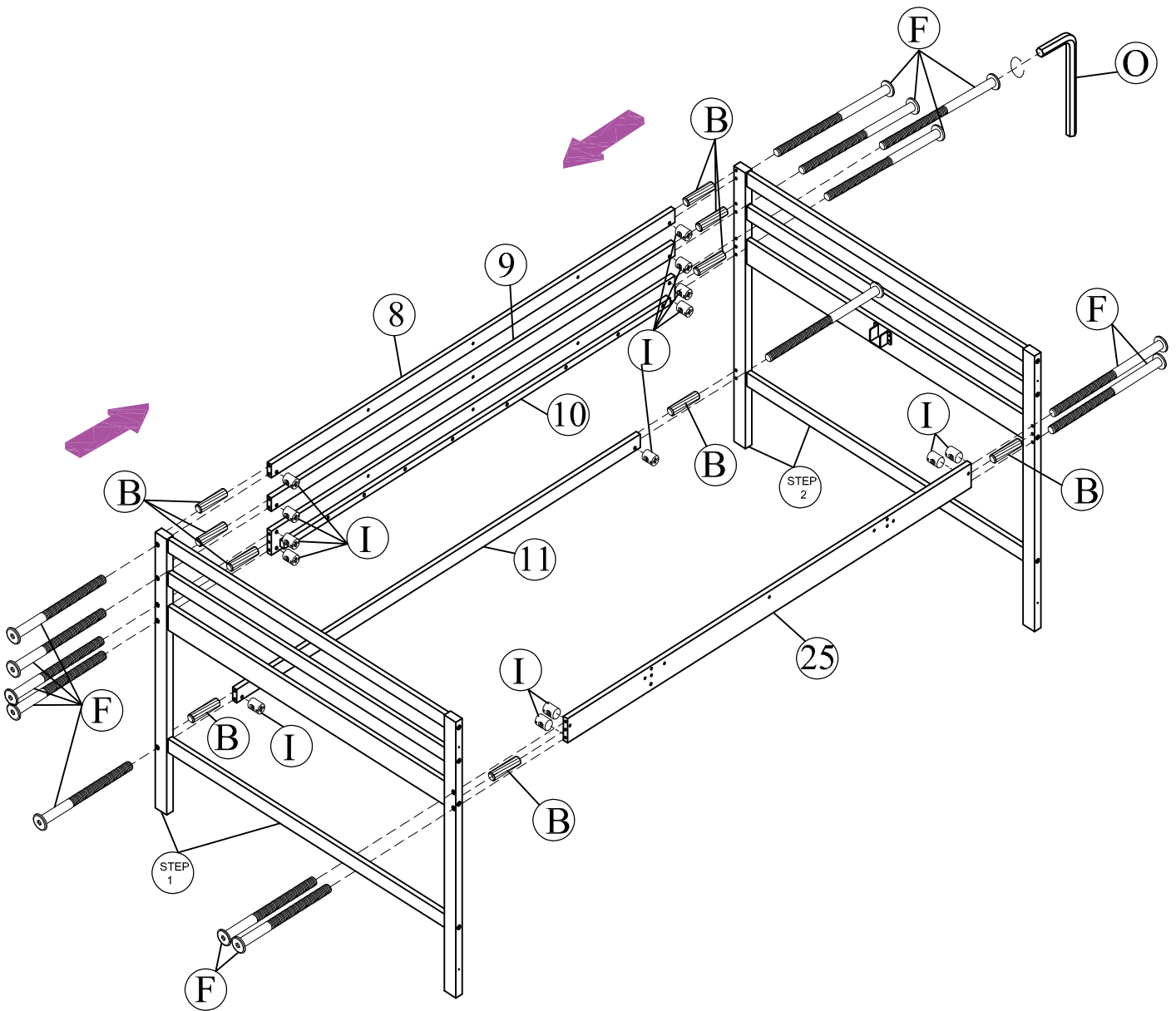
STEP 2:







(E)		08
(L)		04
(P)		01

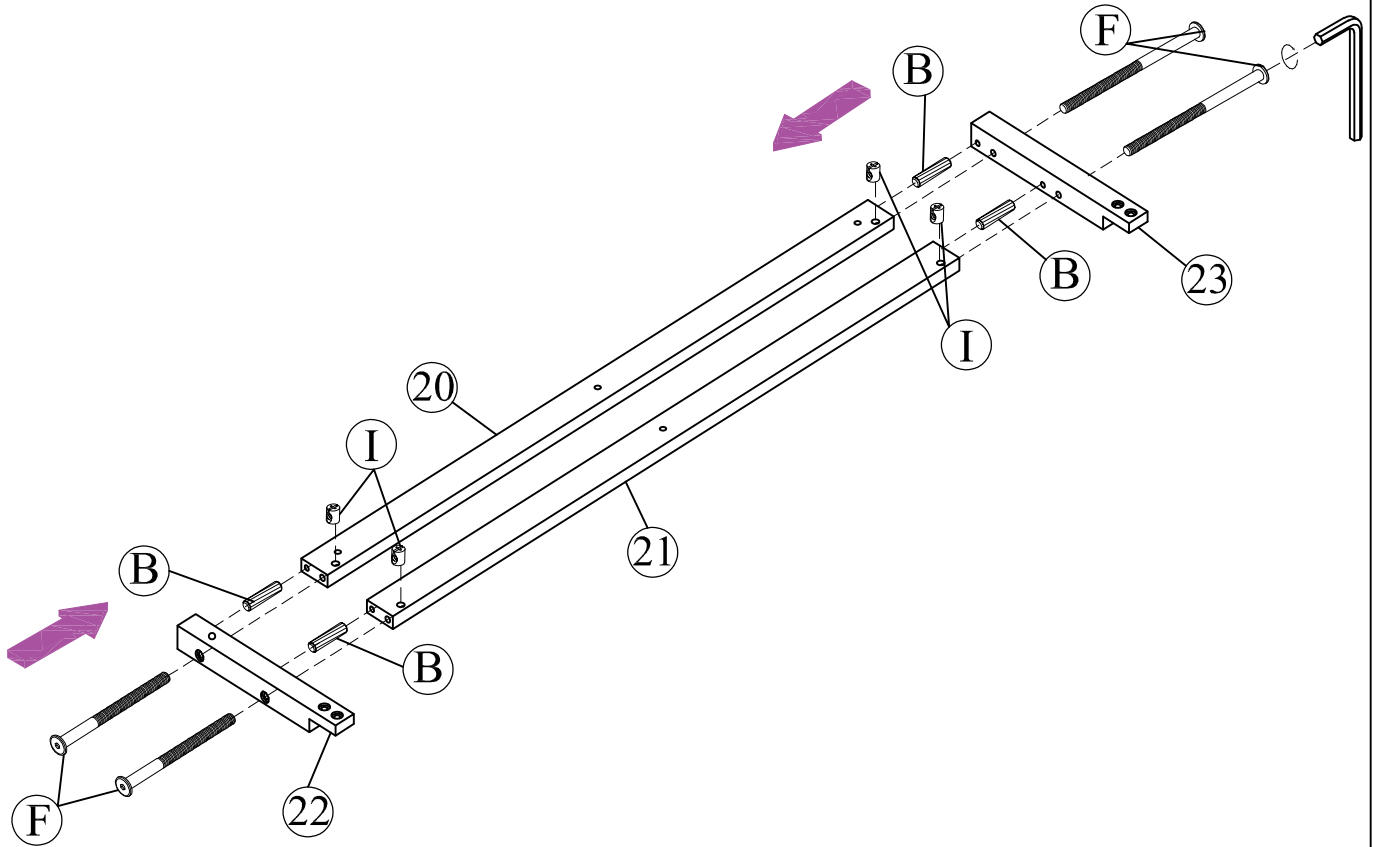
STEP 3:

(B)		10
(F)		14
(I)		14
(O)		01

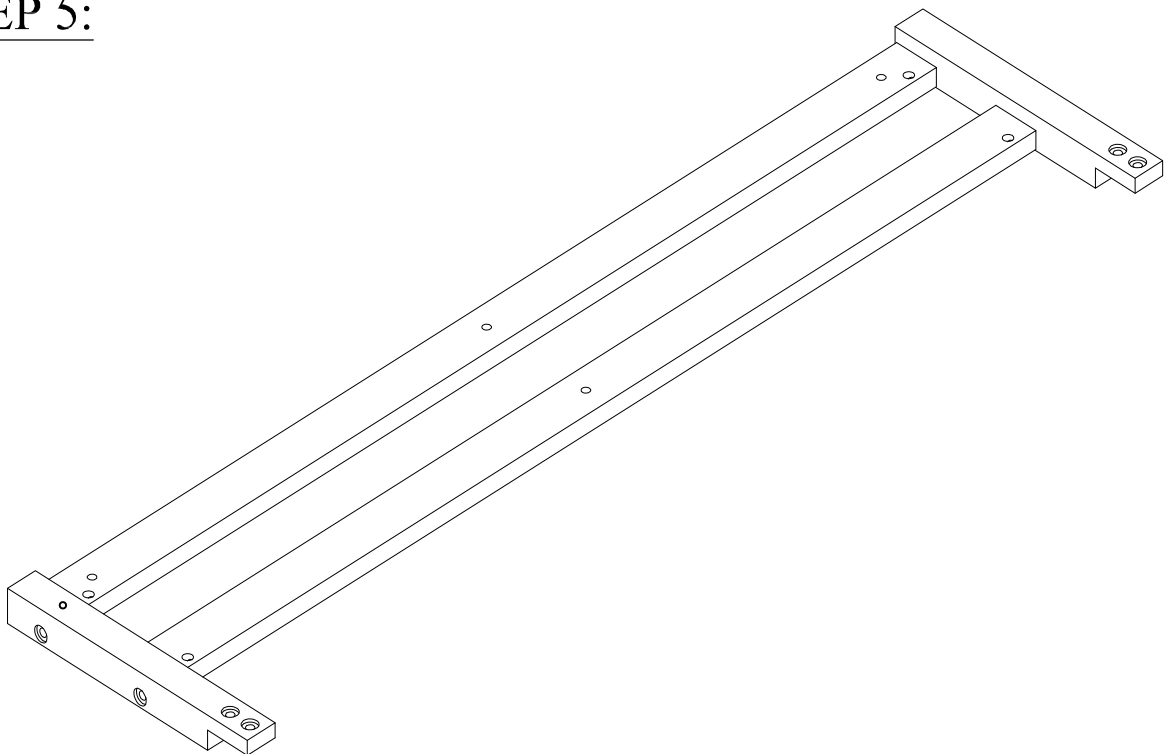


STEP 4:


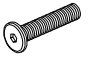

⓪		01	Ⓑ		04
			Ⓕ		04
			Ⓘ		04

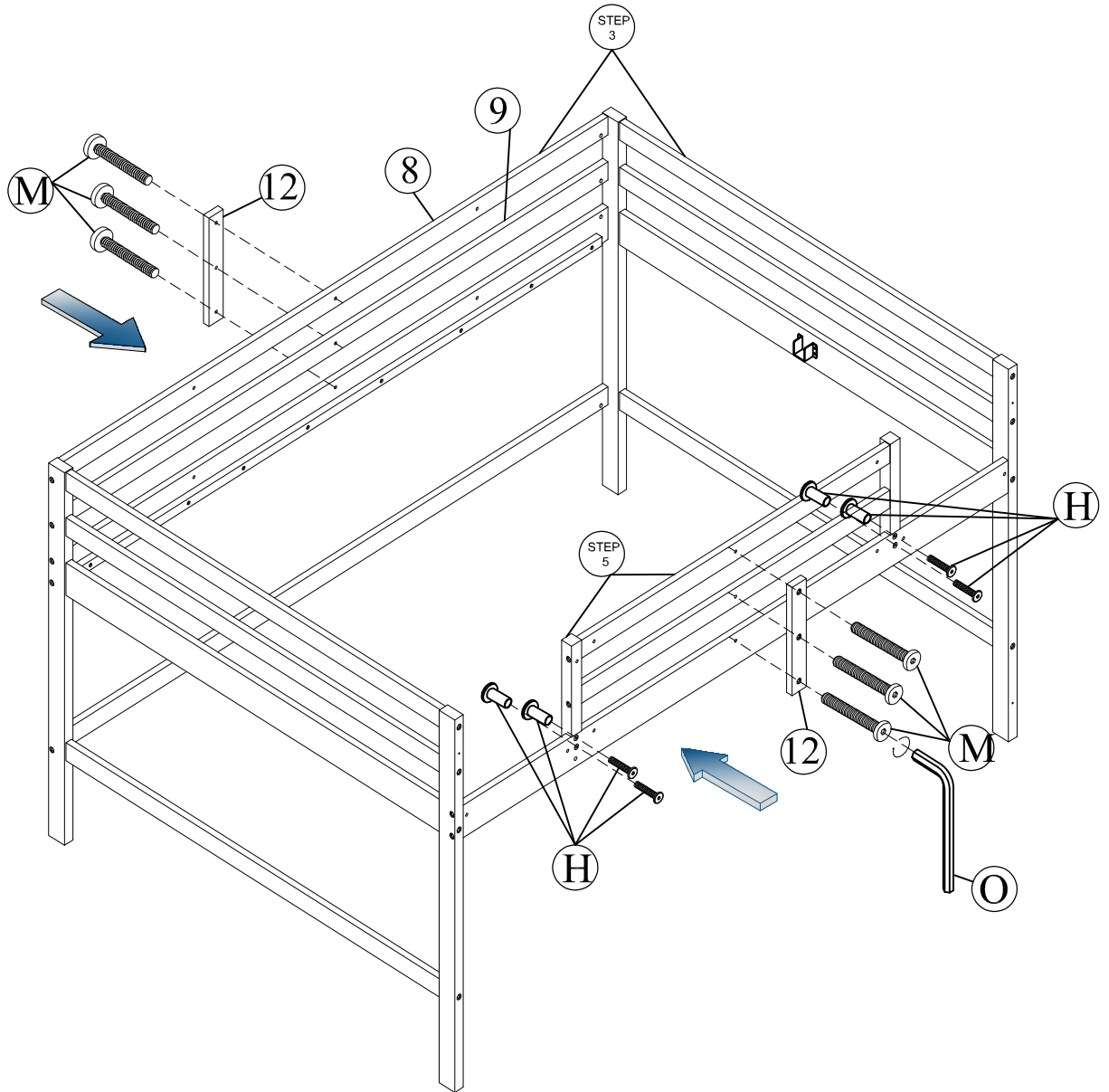


STEP 5:

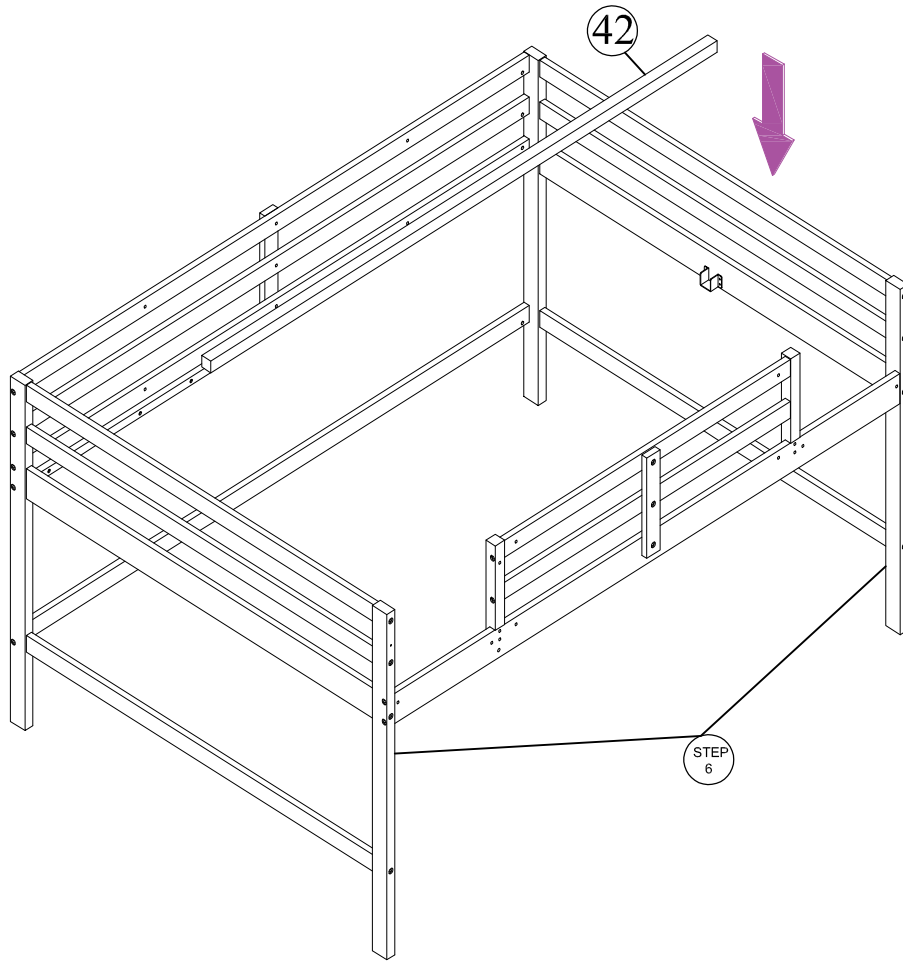


STEP 6:

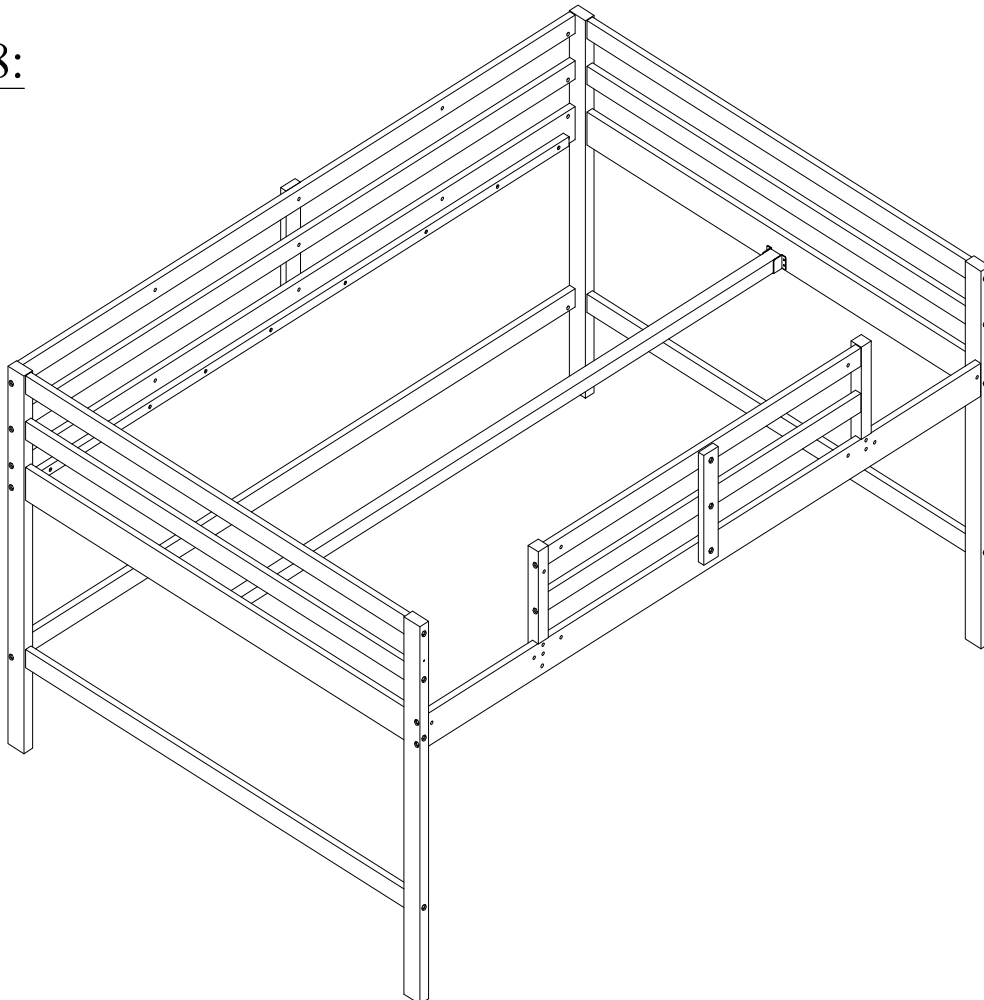
(H)		04
(M)		06
(O)		01



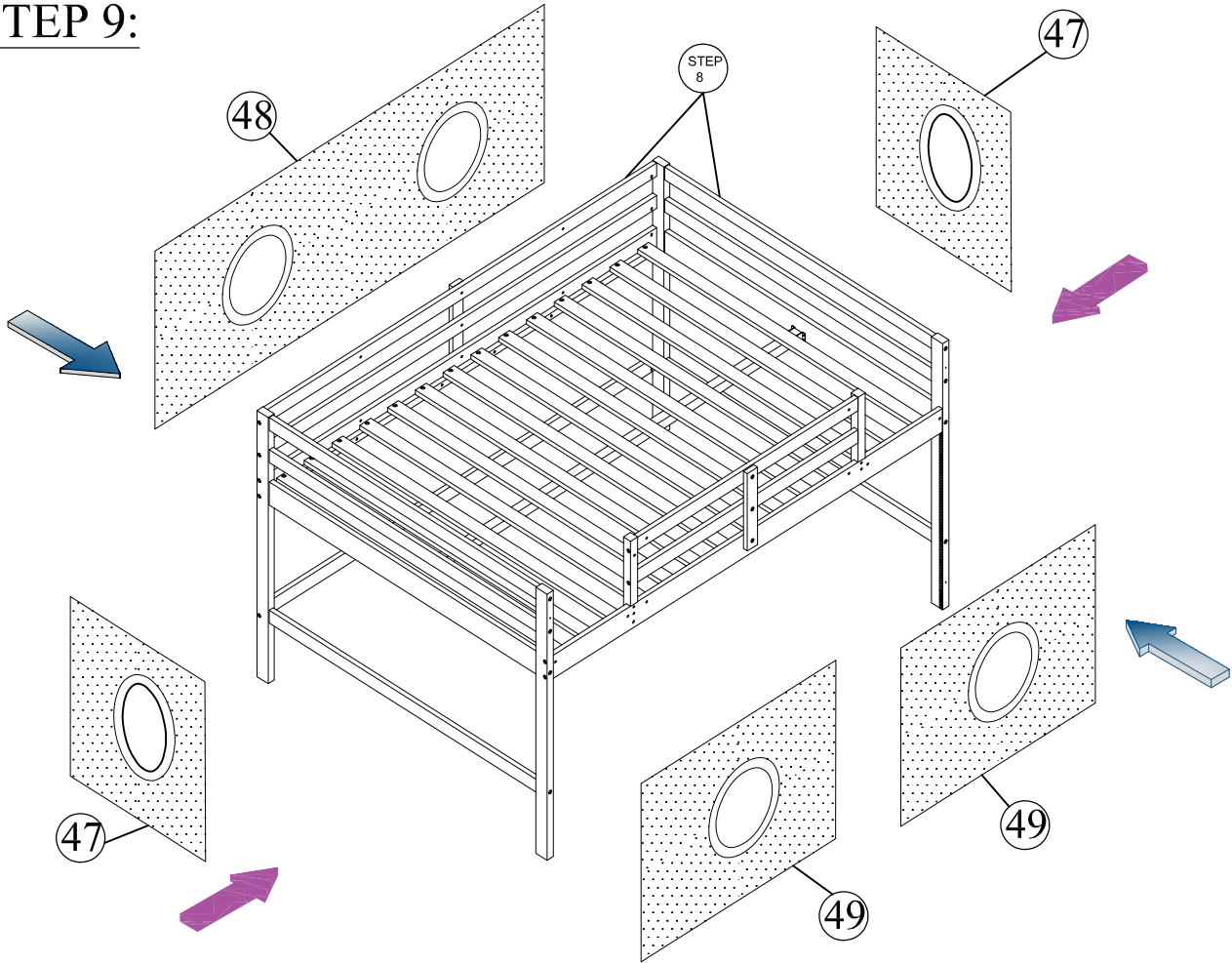
STEP 7:



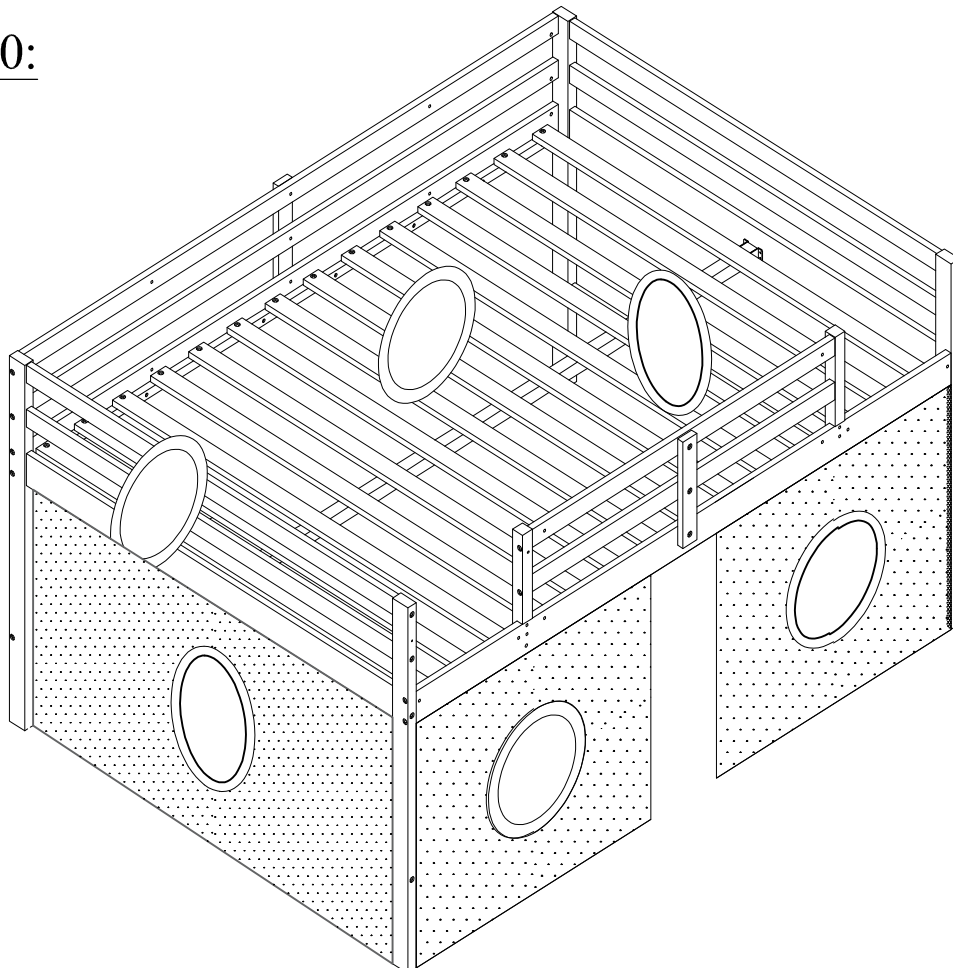
STEP 8:




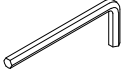
STEP 9:

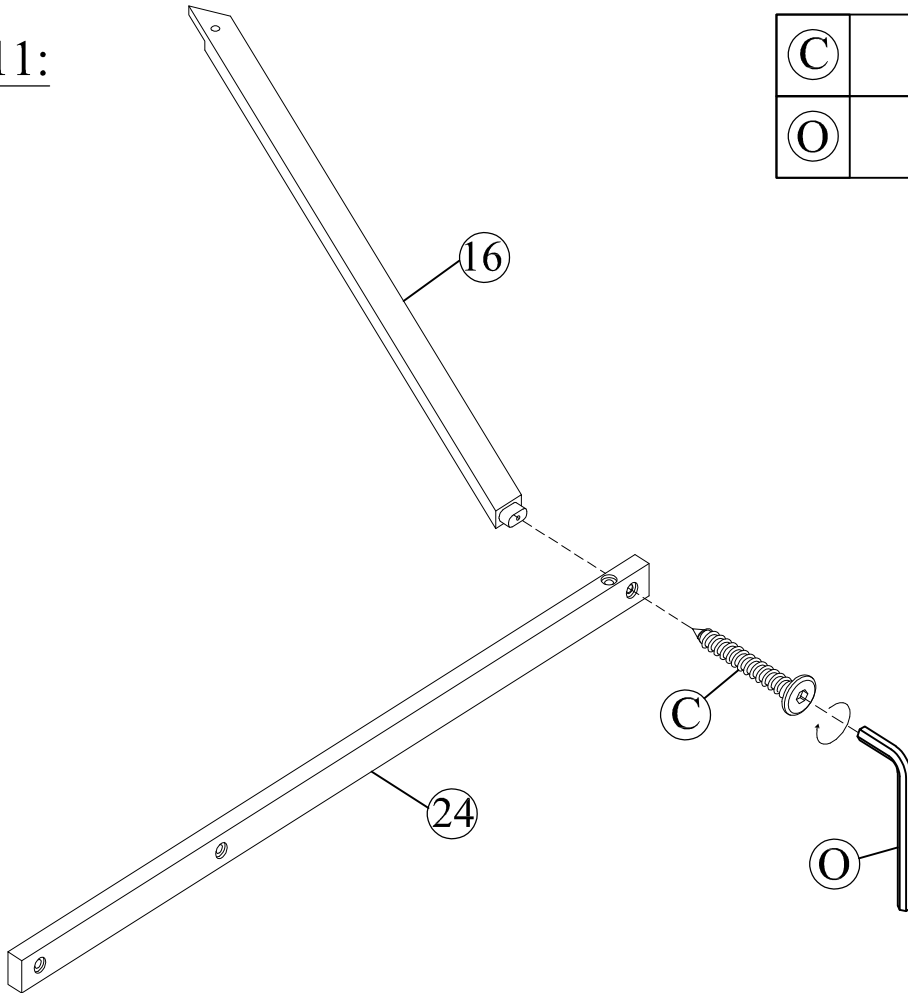


STEP 10:




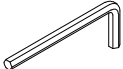
STEP 11:

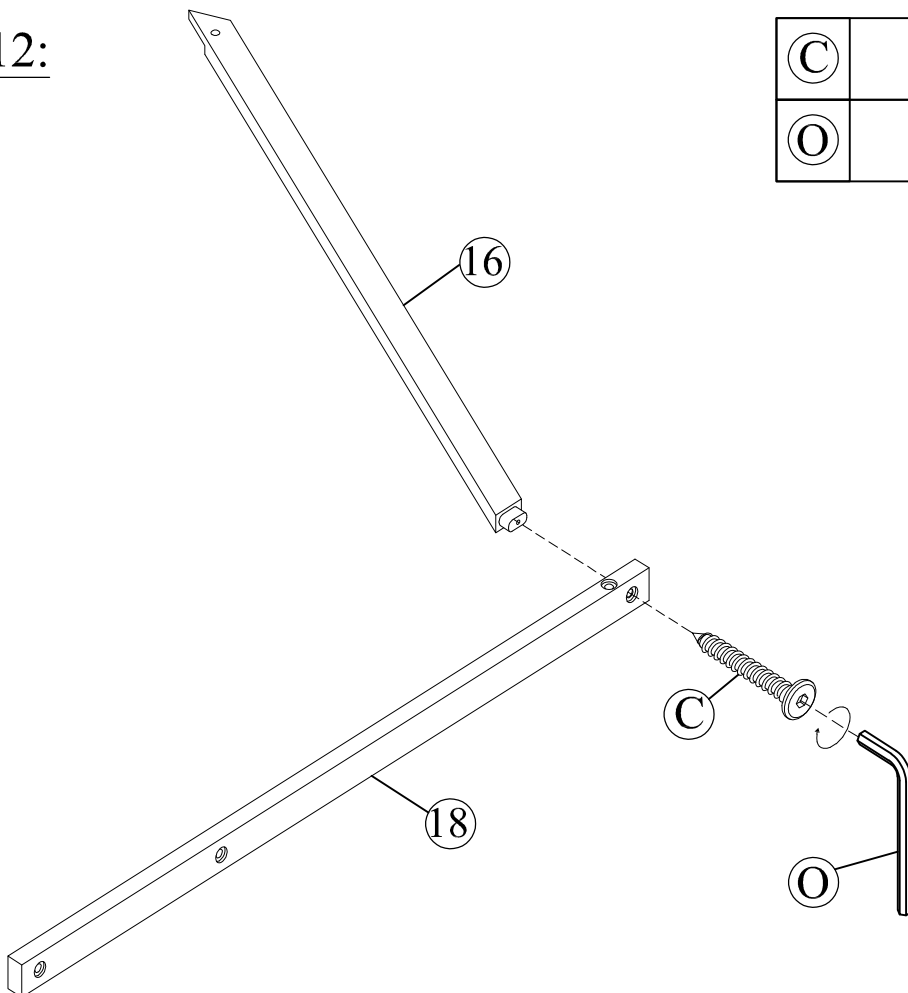
(C)		02
(O)		01



X2

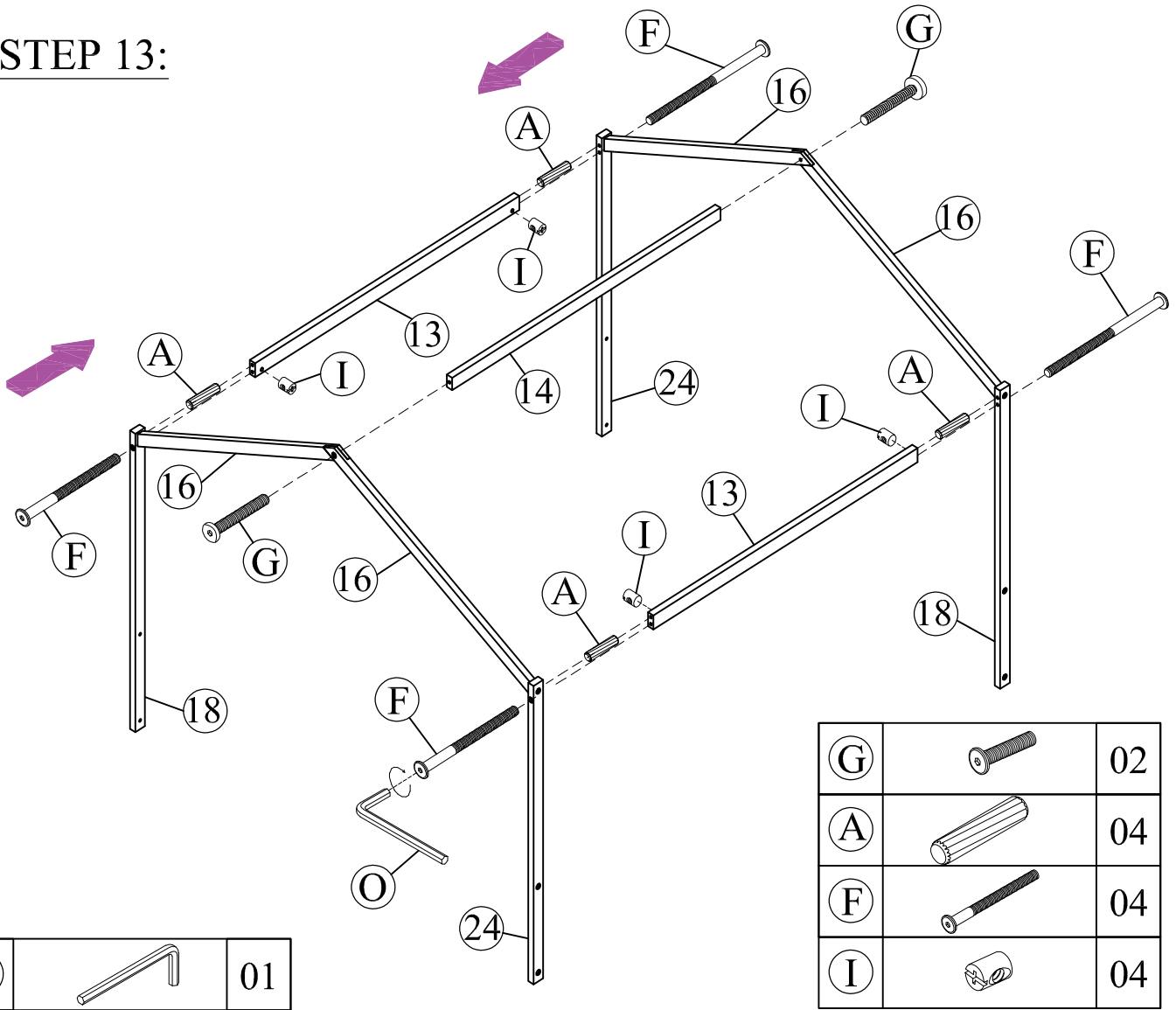
STEP 12:

(C)		02
(O)		01

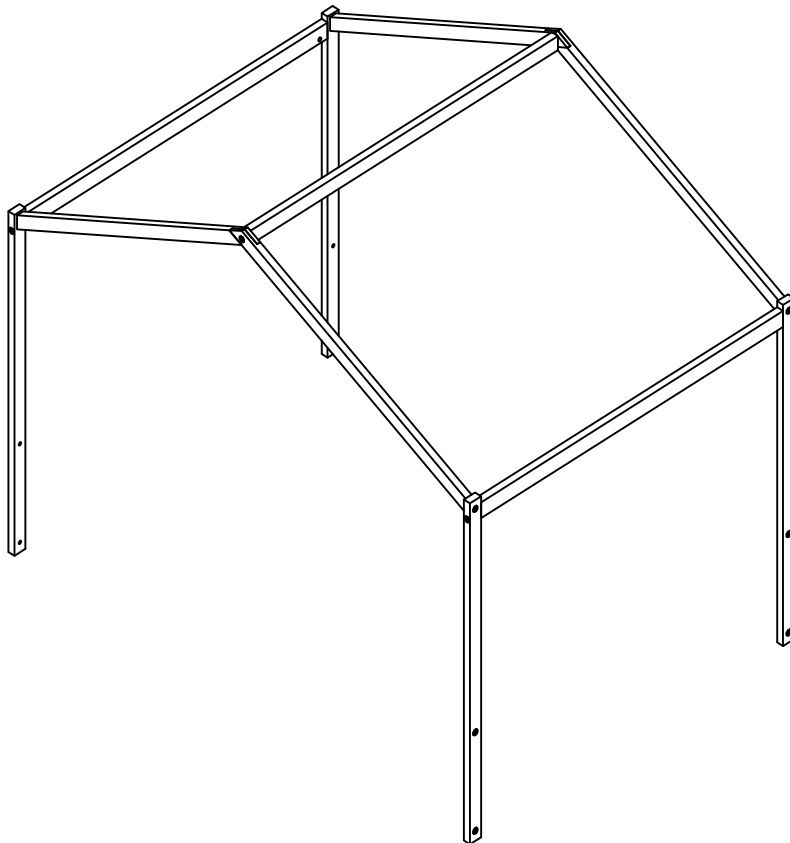


X2

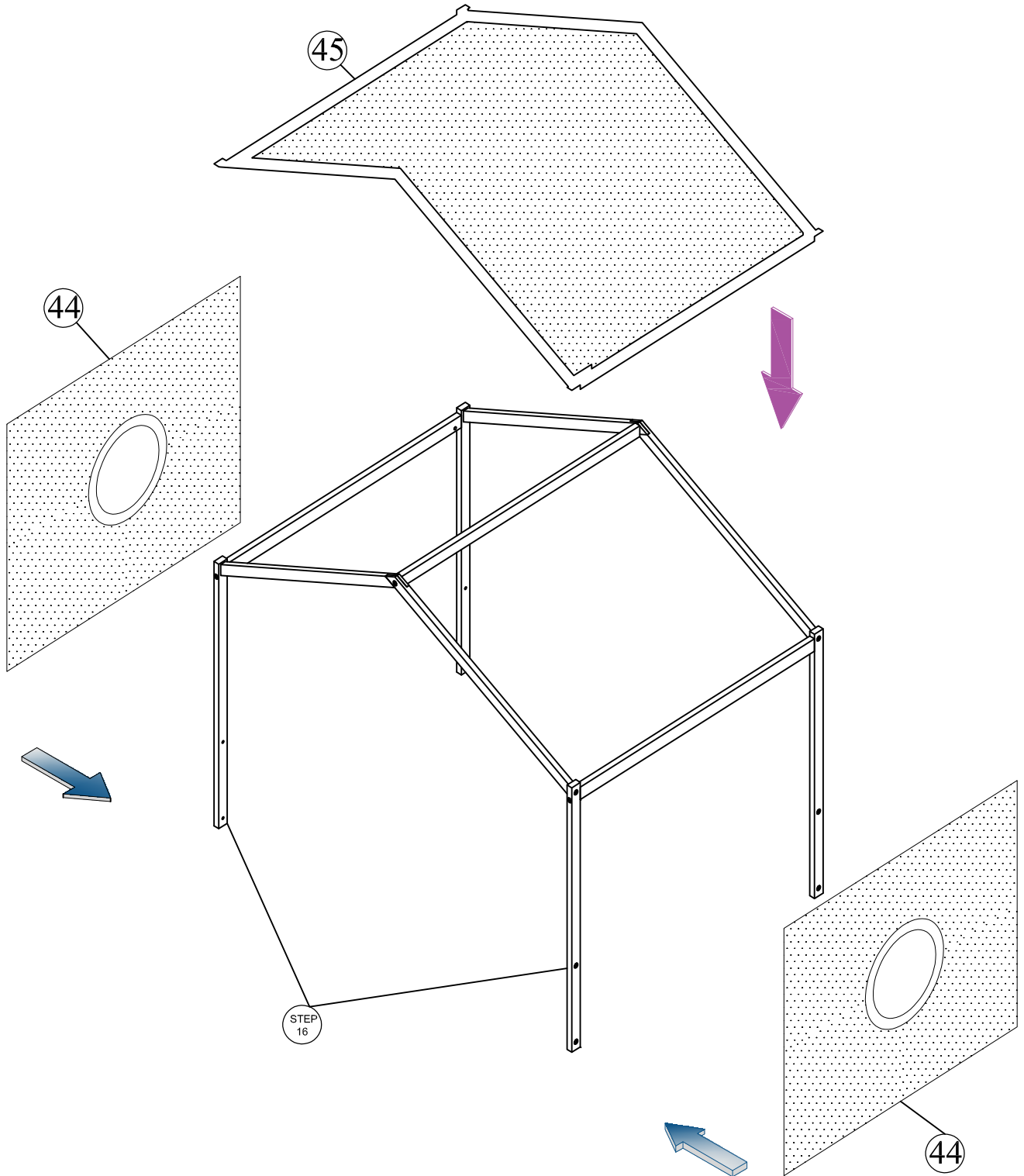
STEP 13:



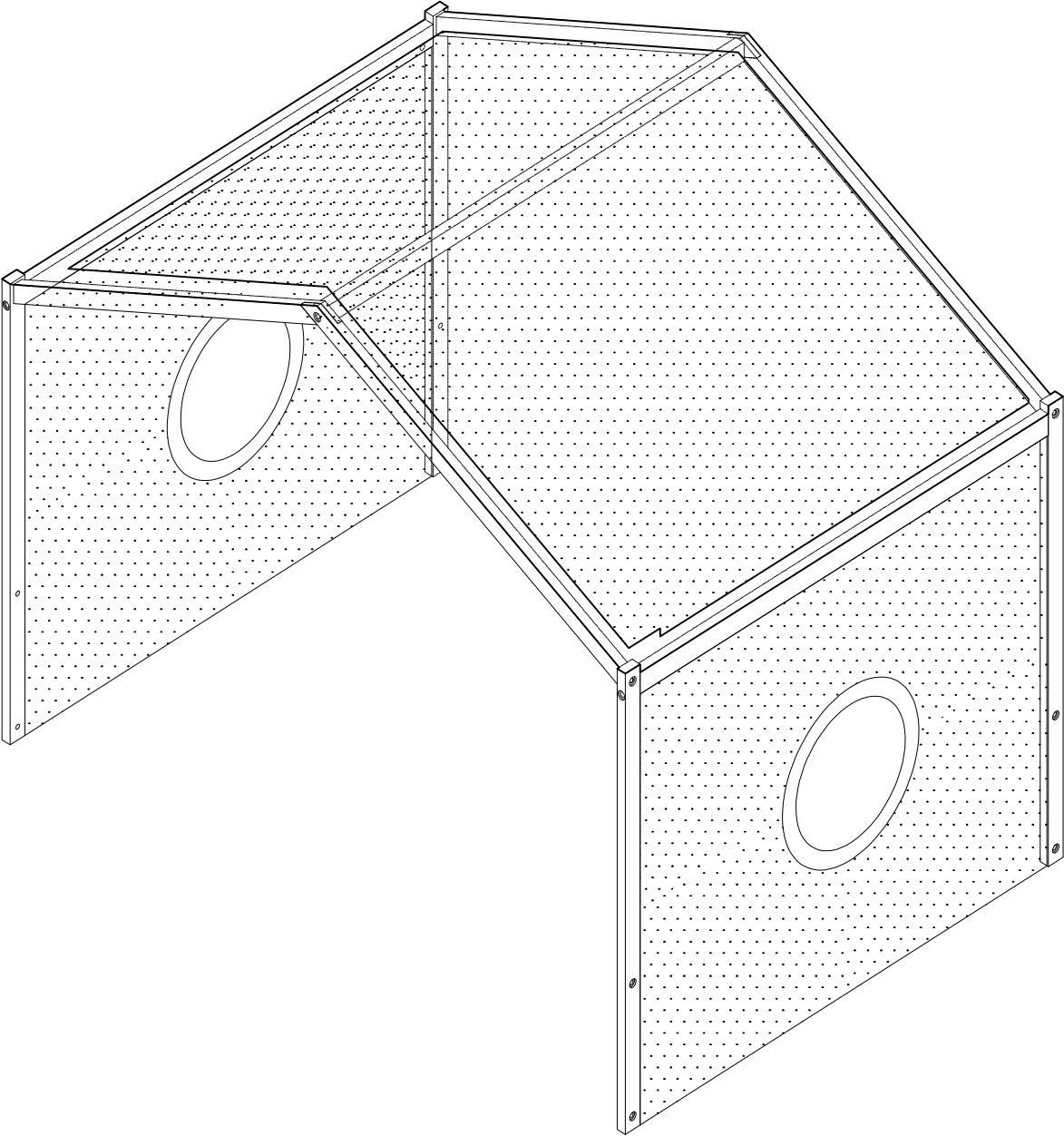
STEP 14:



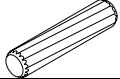

STEP 15:

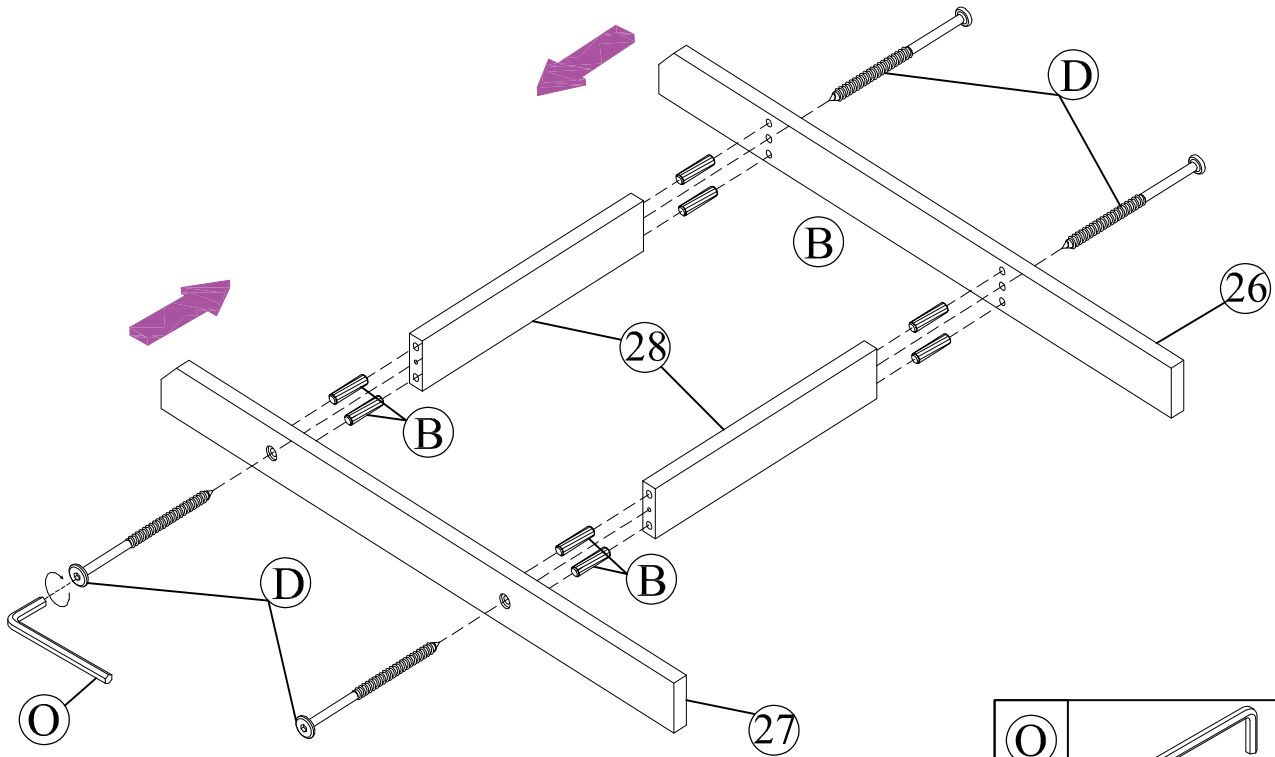


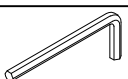
STEP 16:



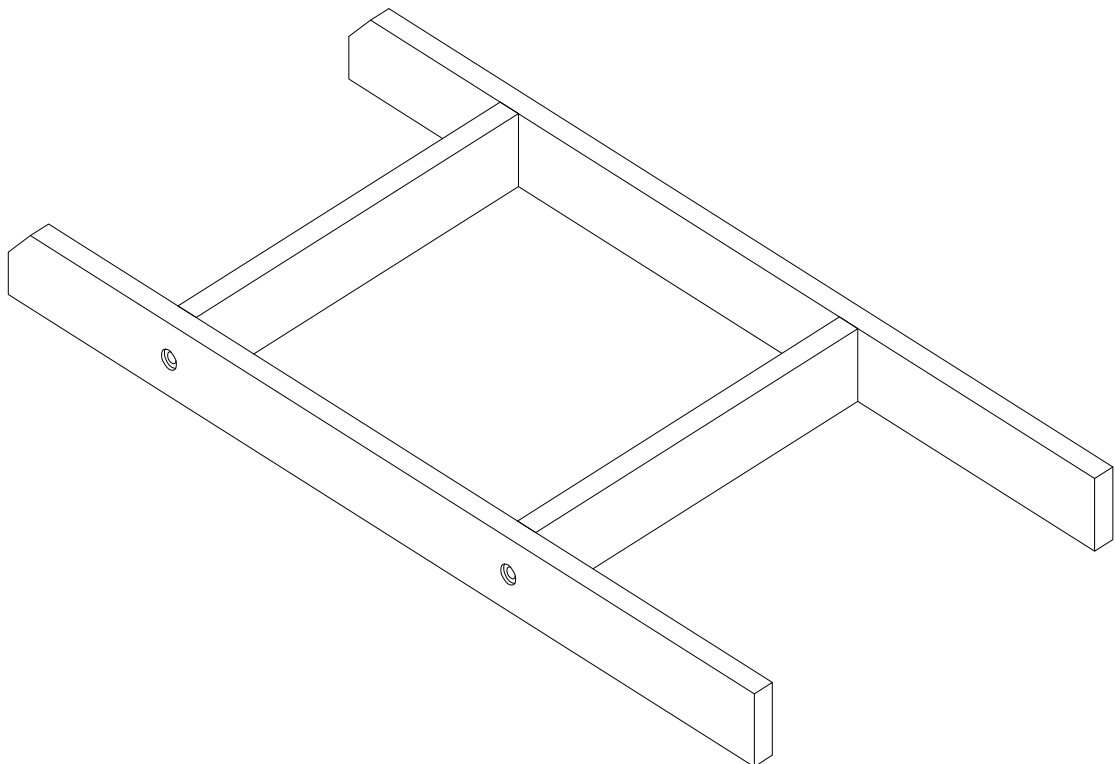
STEP 17:

(B)		08
(D)		04


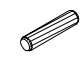
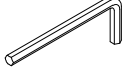


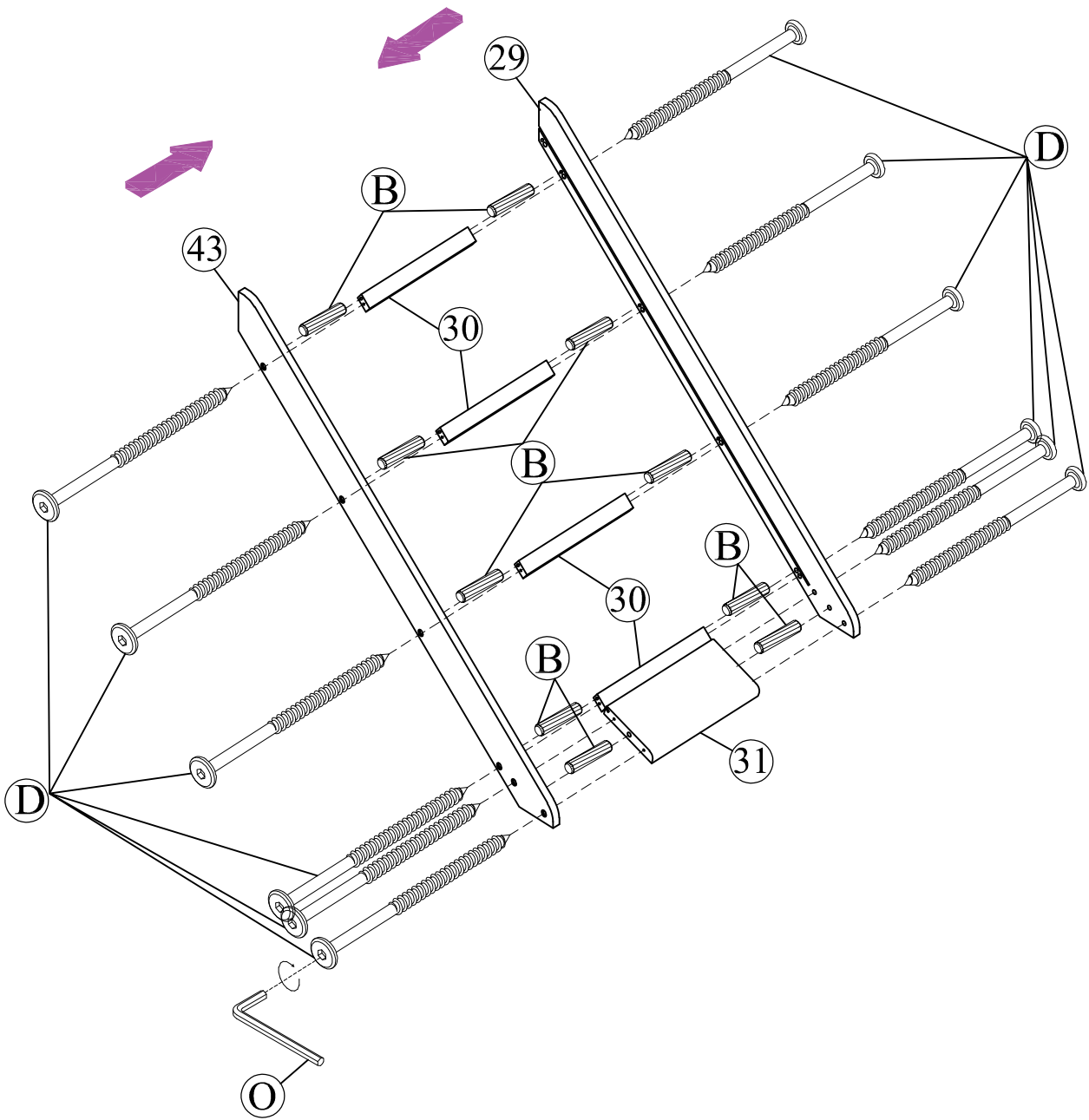
(O)		01
-----	---	----

STEP 18:

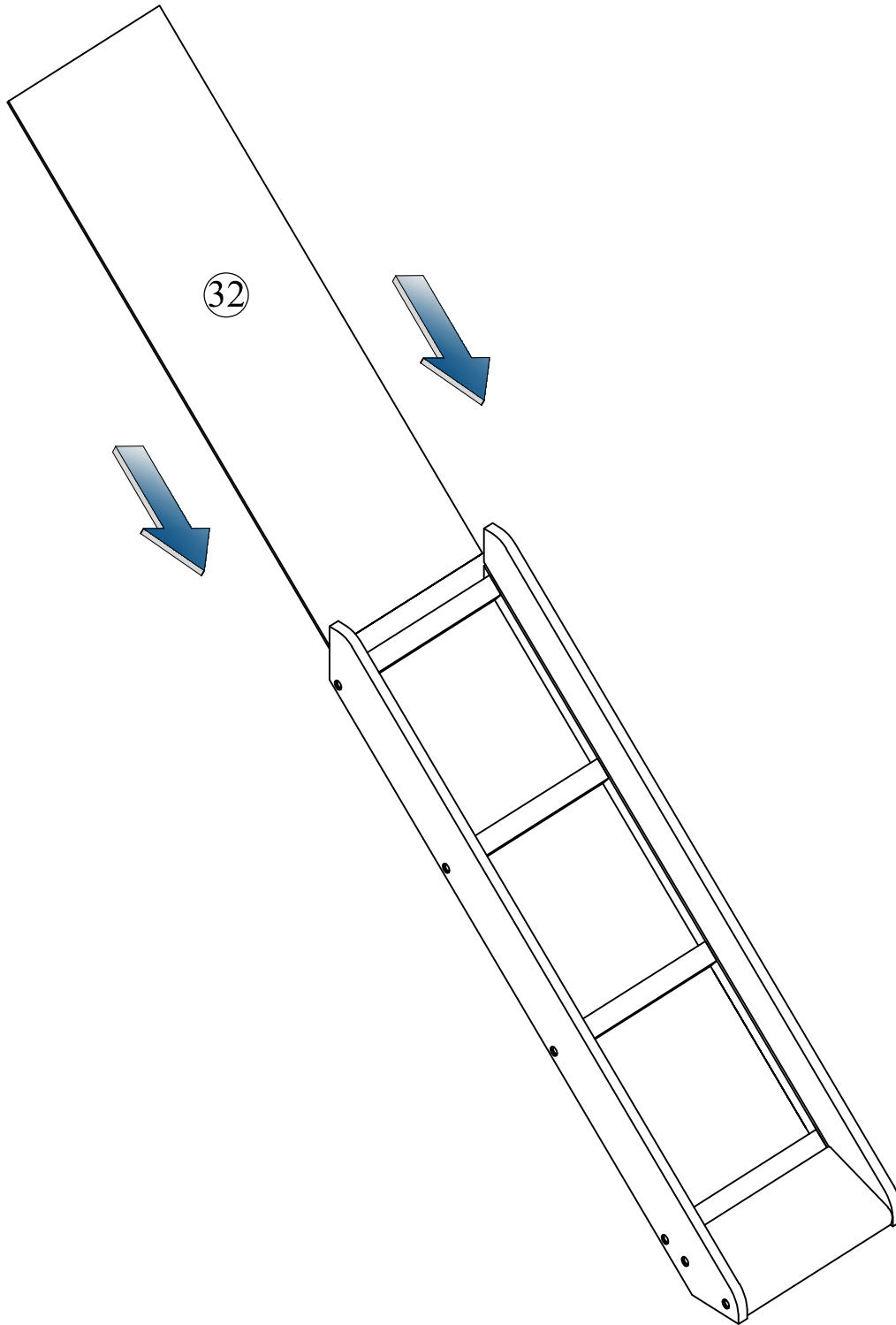


STEP 19:

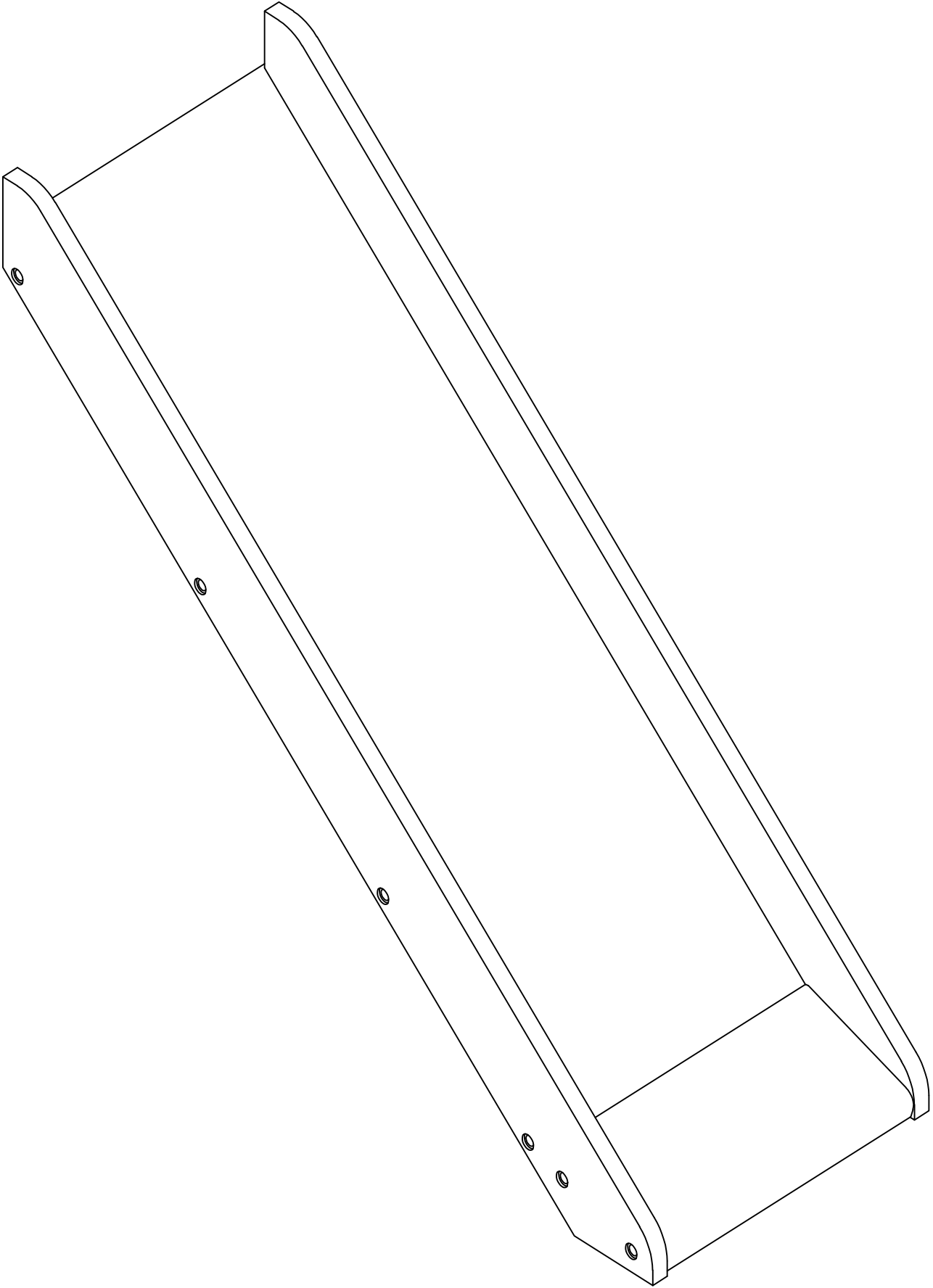
D		12
B		10
O		01



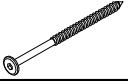
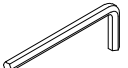
STEP 20:

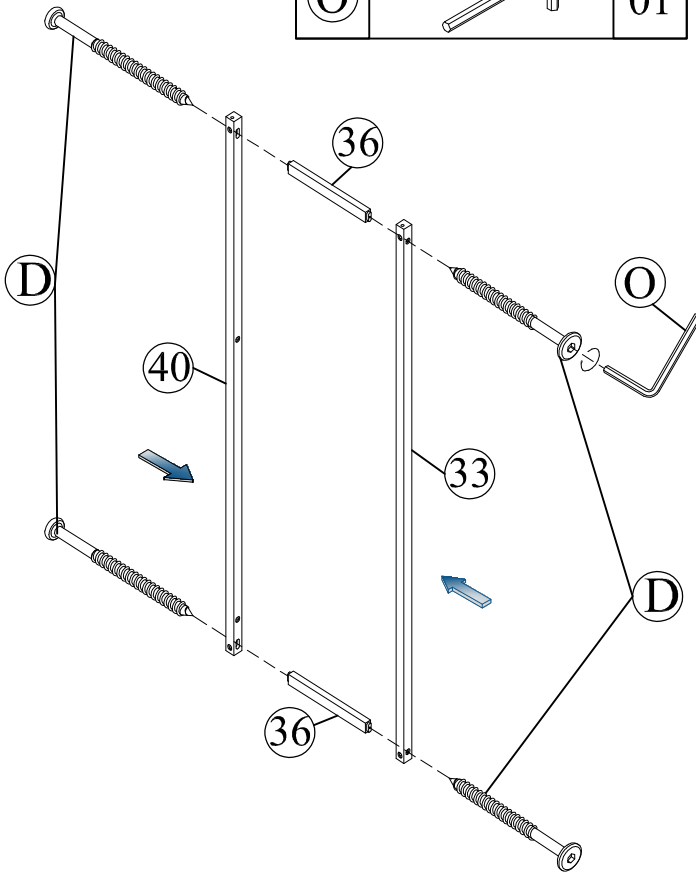


STEP 21:

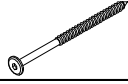
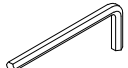


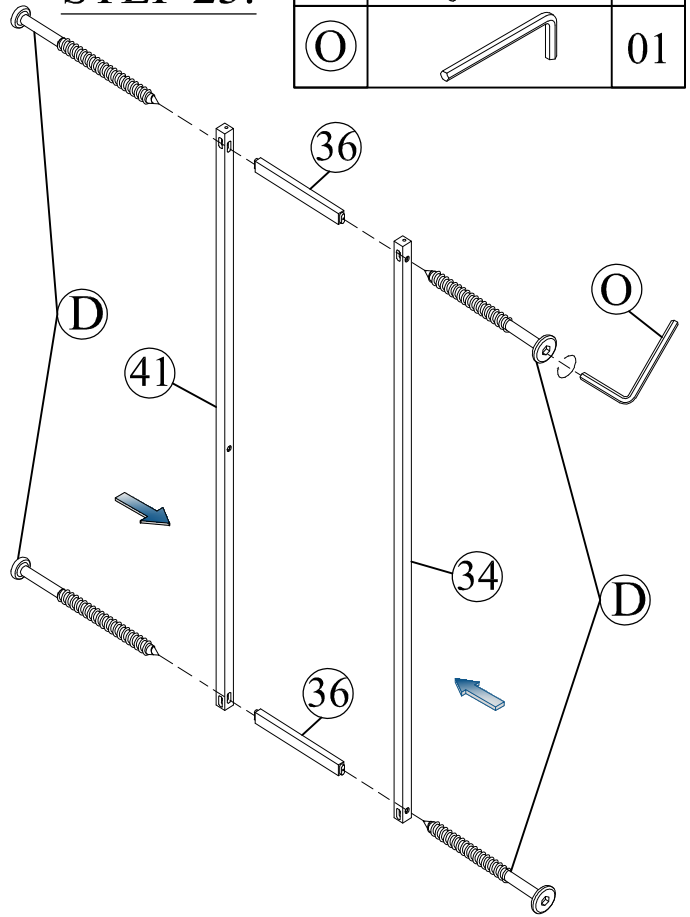
STEP 22:

(D)		04
(O)		01

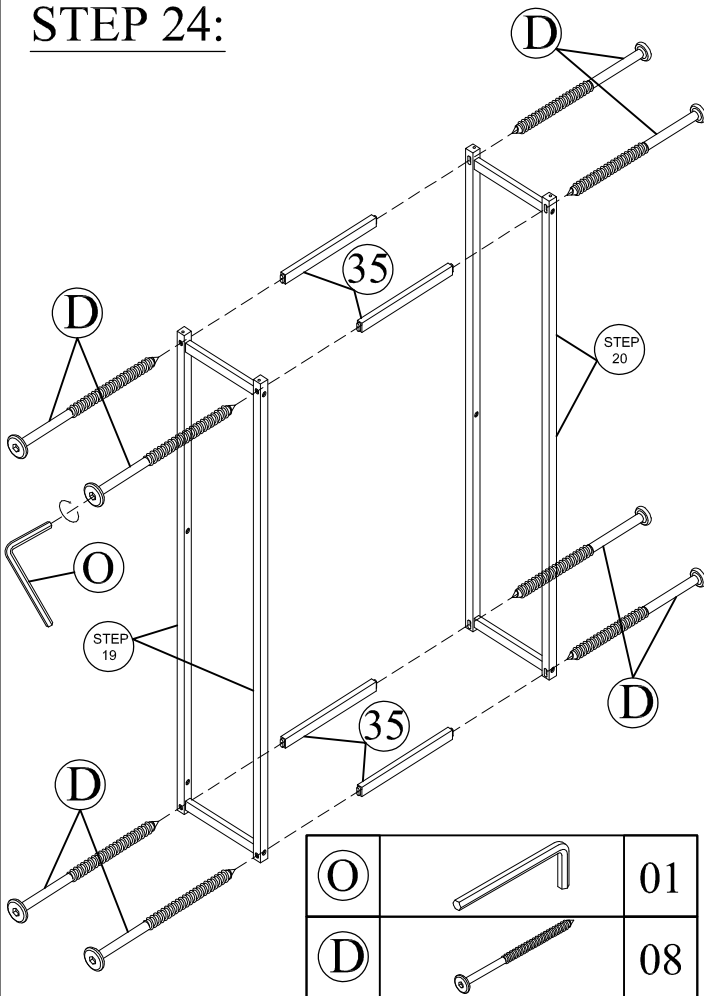


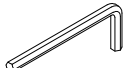
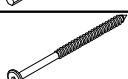
STEP 23:

(D)		04
(O)		01




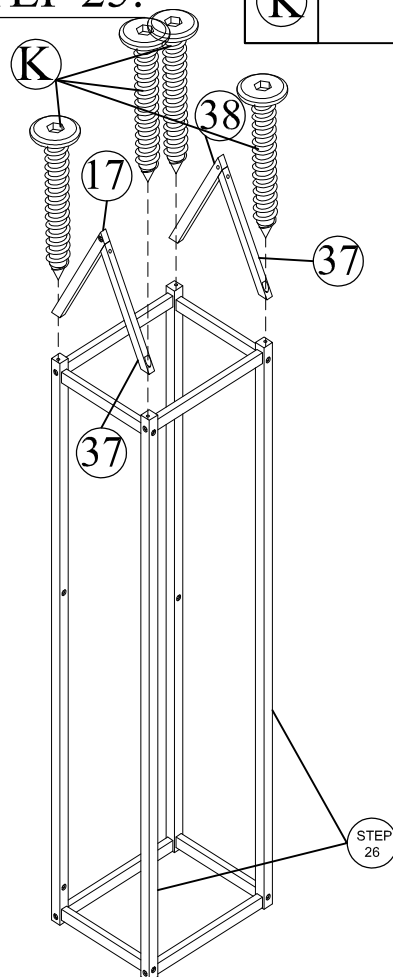
STEP 24:



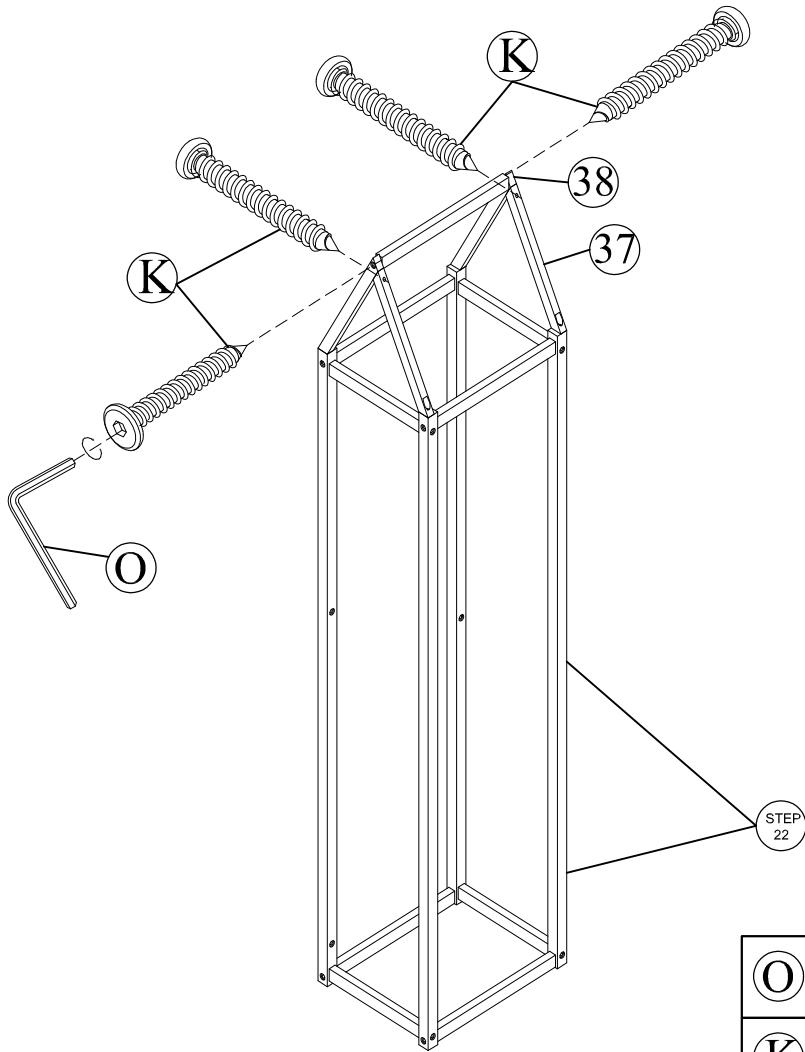
(O)		01
(D)		08

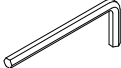

STEP 25:

(K)		04
-----	---	----

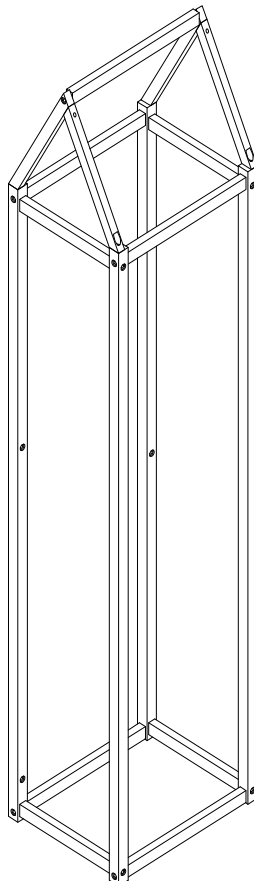


STEP 26:

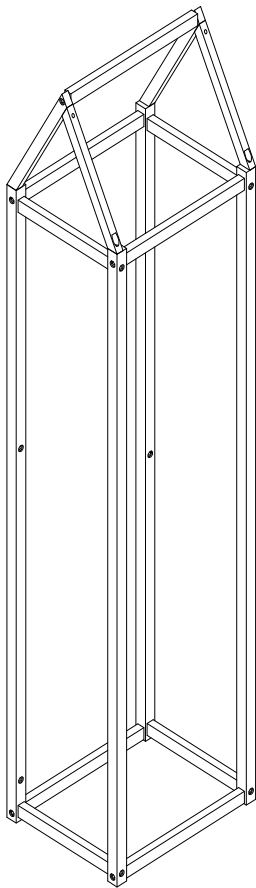
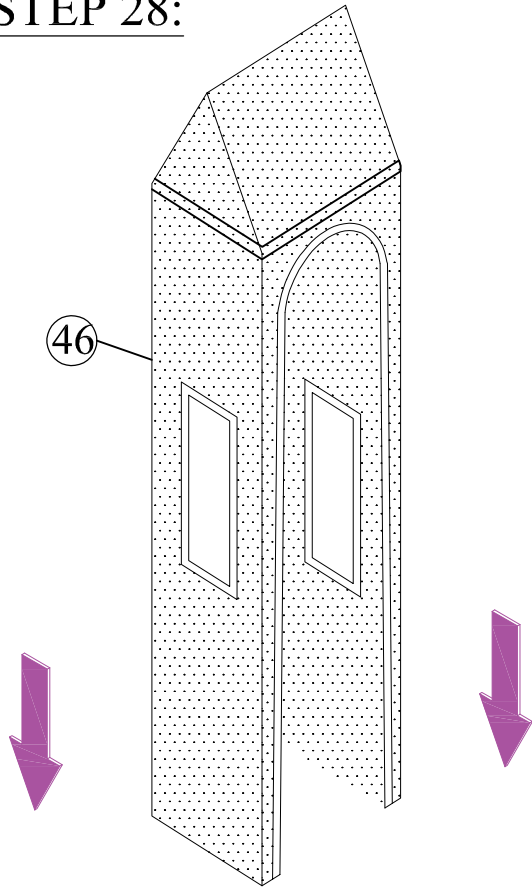


⓪		01
Ⓚ		04

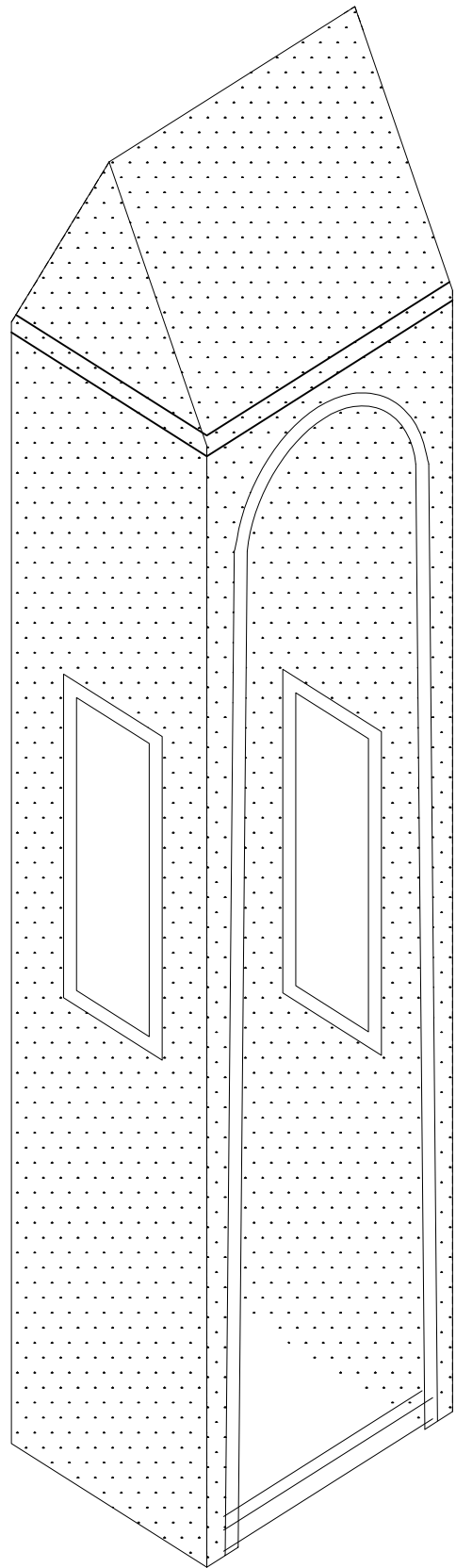
STEP 27:



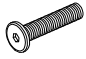
STEP 28:

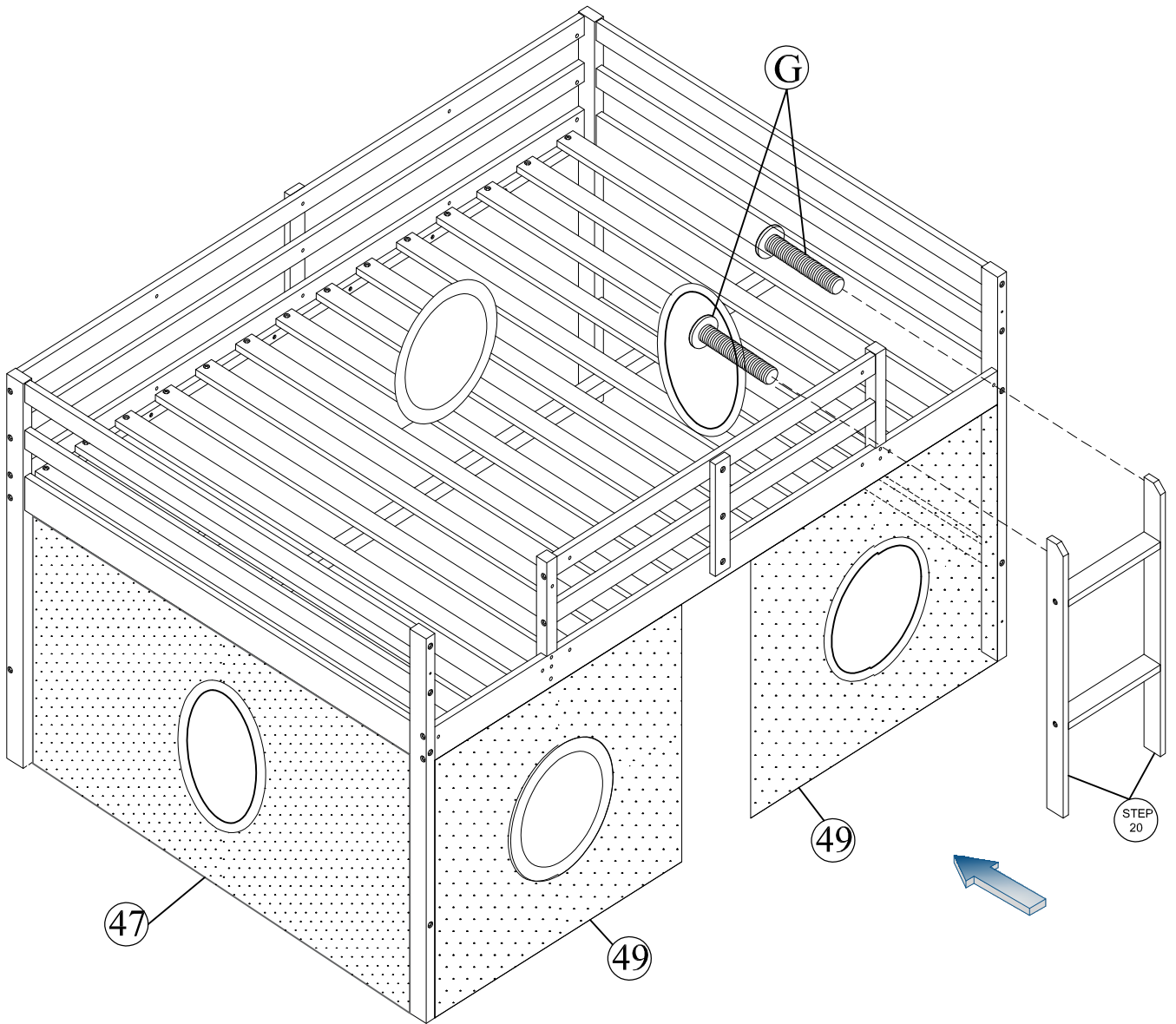


STEP 29:

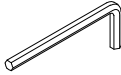
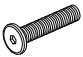



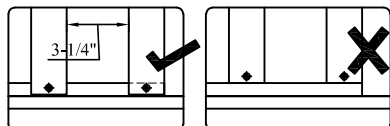
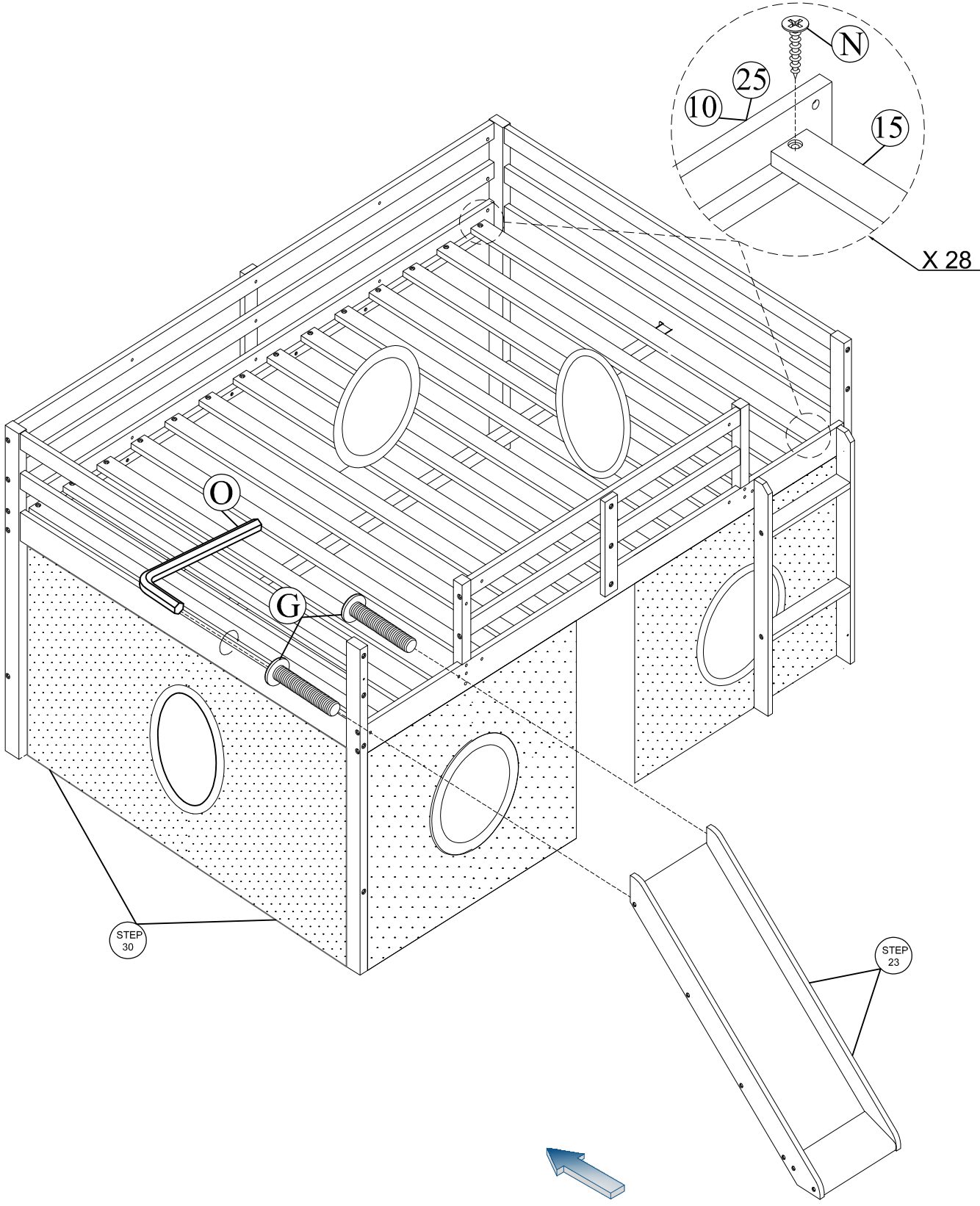
STEP 30:

G		02
---	---	----

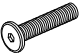



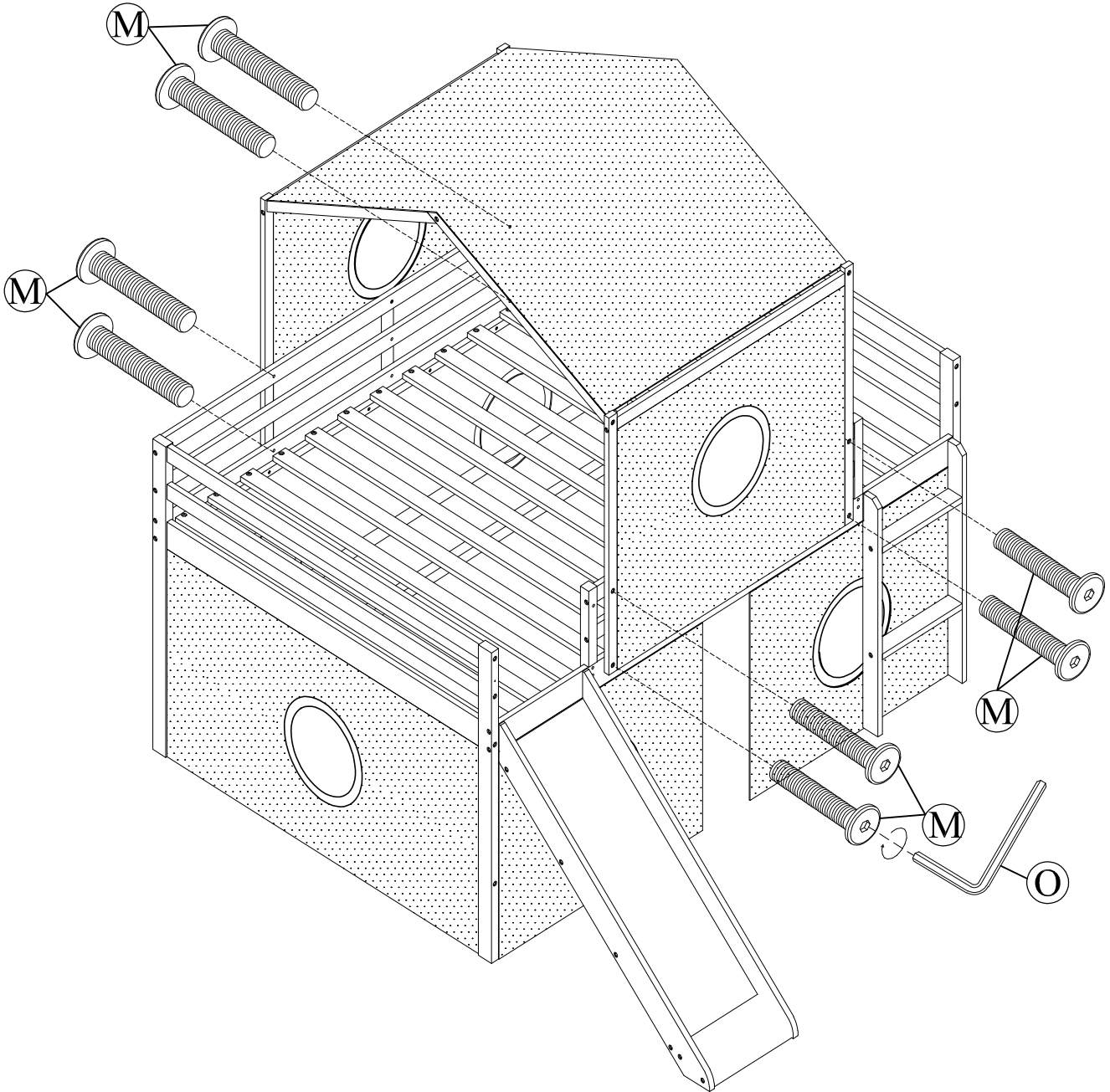
STEP 31:

O		01	G		02
			N		28

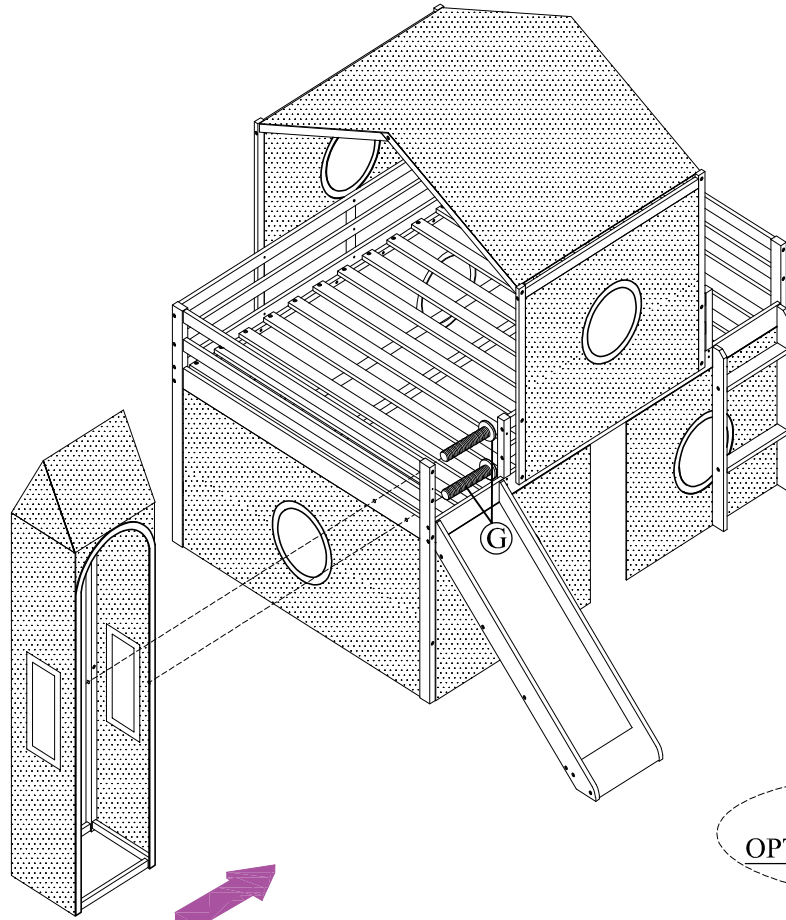


STEP 32:

M		08
O		01

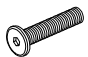


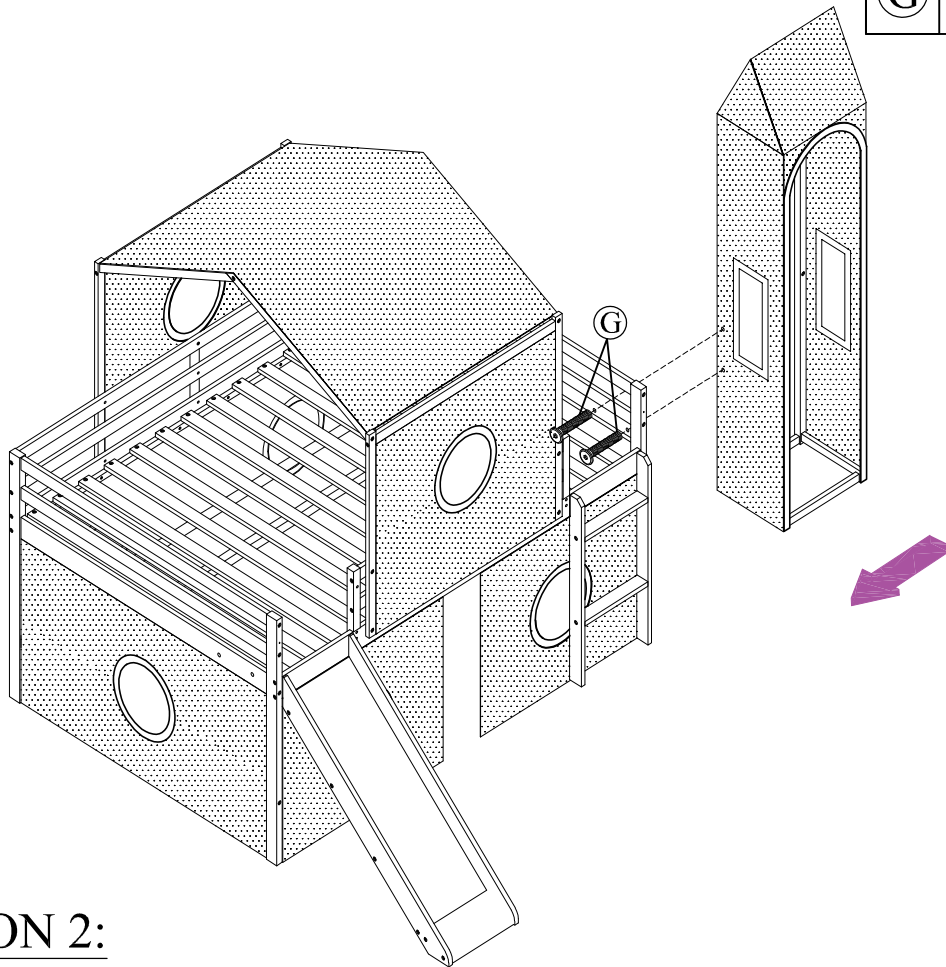
STEP 33:



OPTION 1:

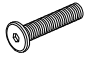

Note : Bolts (G)
OPTION 1 — OPTION 2

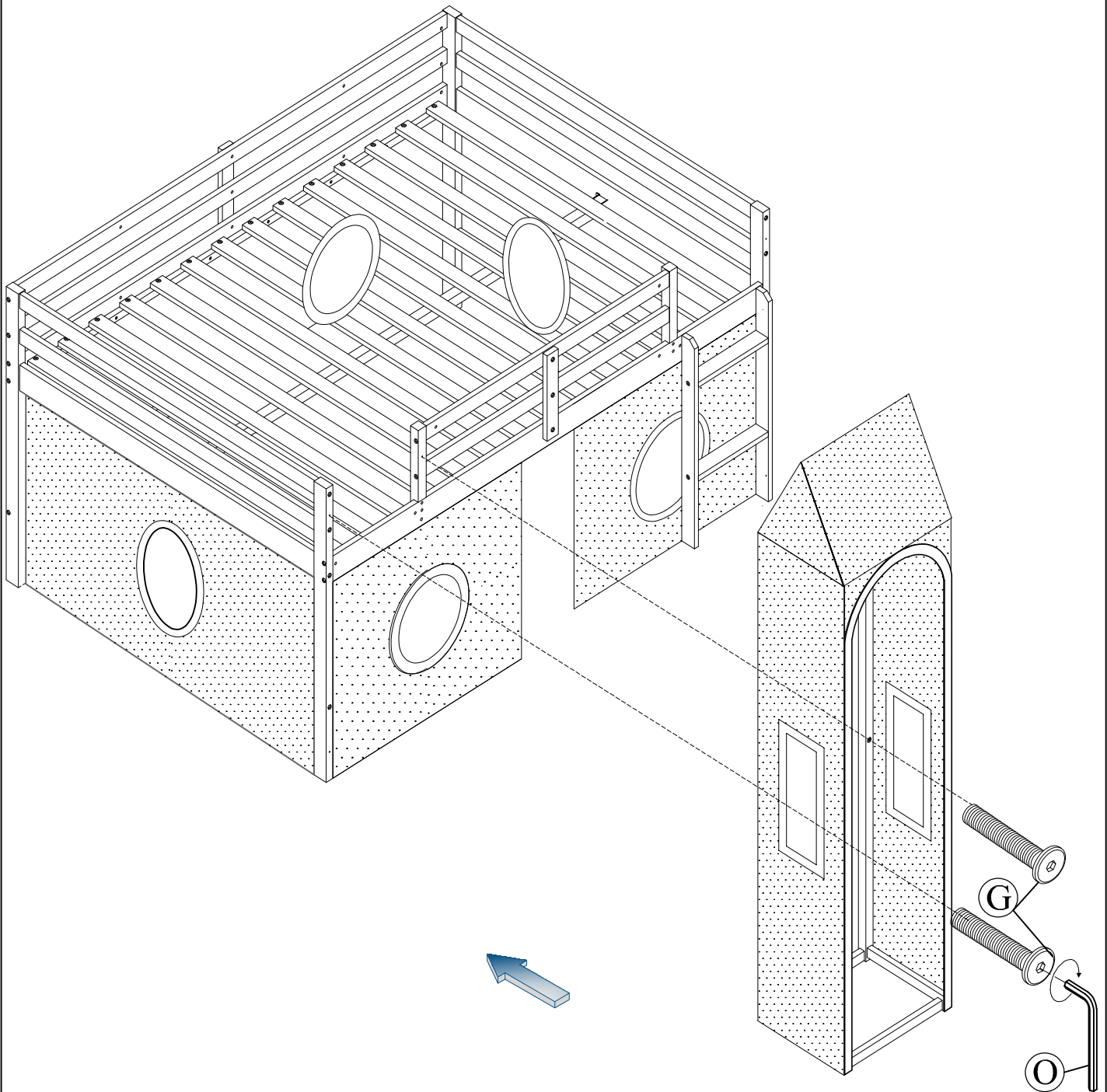
G		02
---	---	----



OPTION 2:

STEP 34:

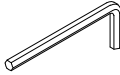
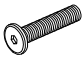

G		02
O		01

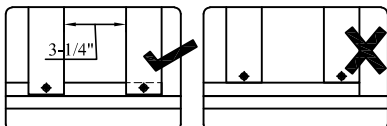
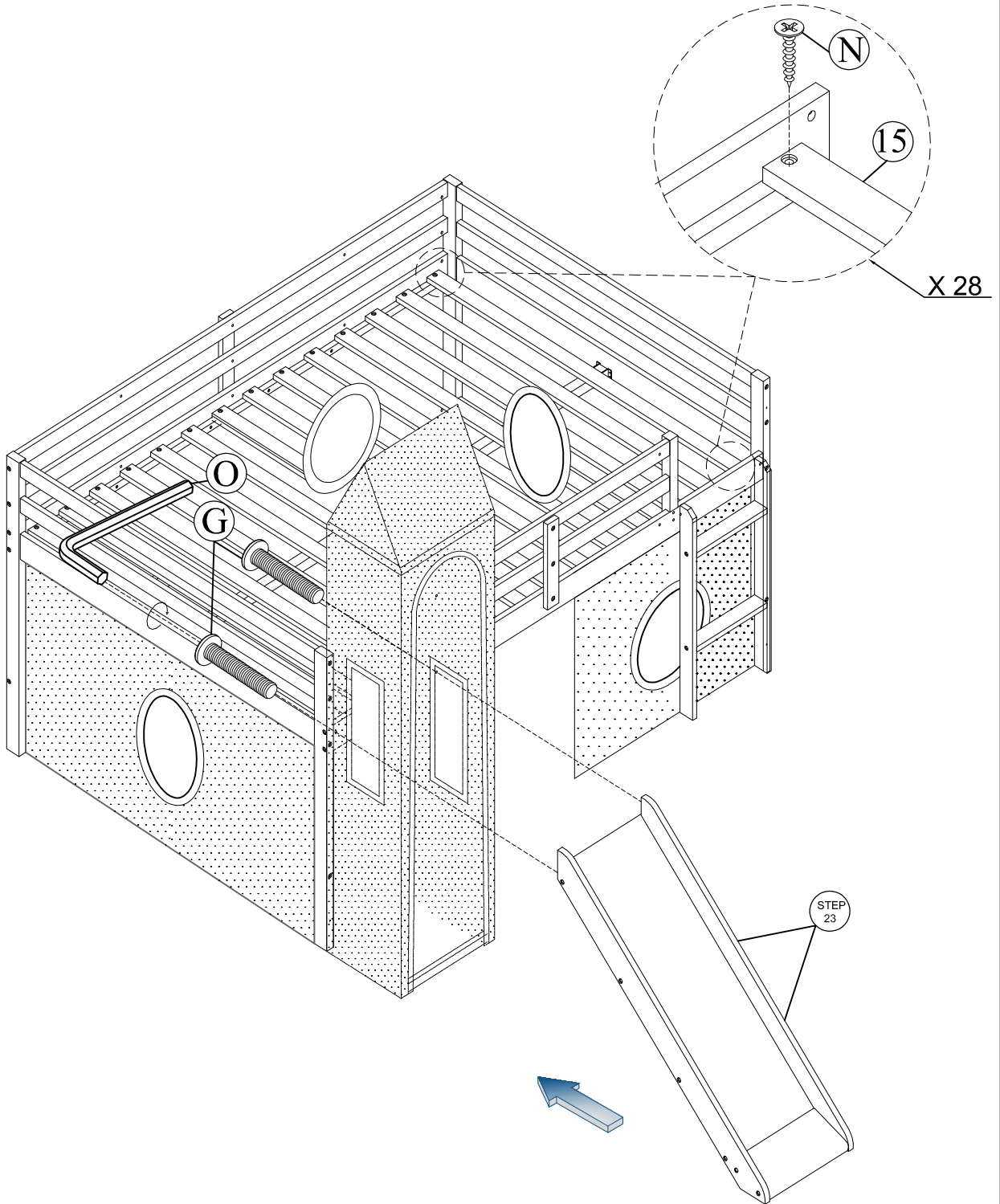


Note : Bolts (G), Allen key (O)
OPTION 2 — OPTION 3

OPTION 3:

STEP 35:

O		01	G		02
			N		28

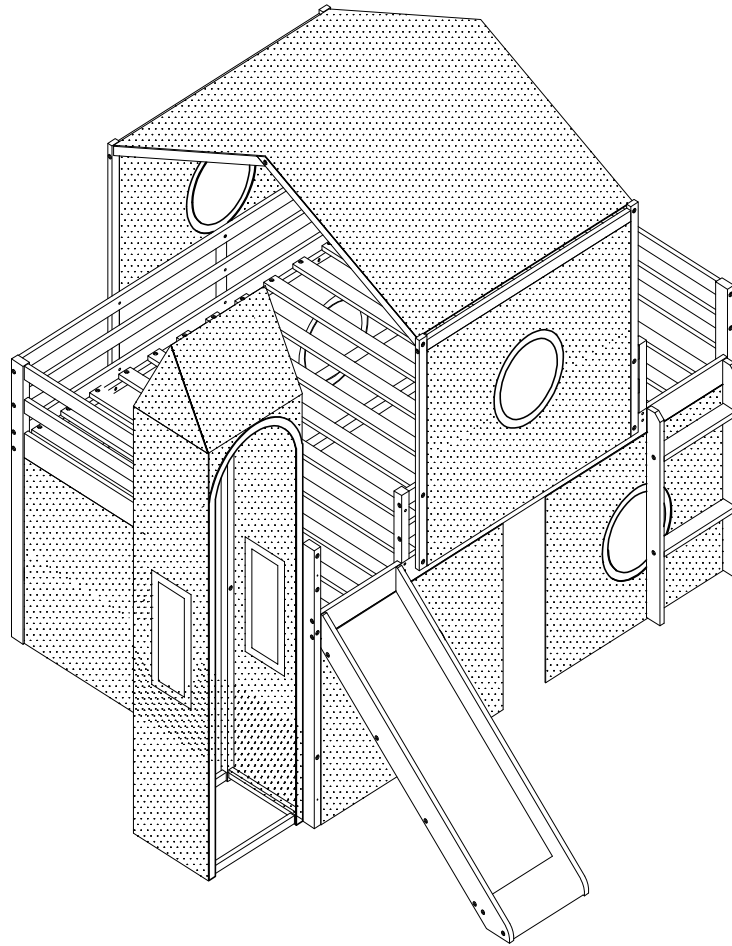


Note : Bolts (G), Screw (N), Allen key (O)

OPTION 2 — OPTION 3

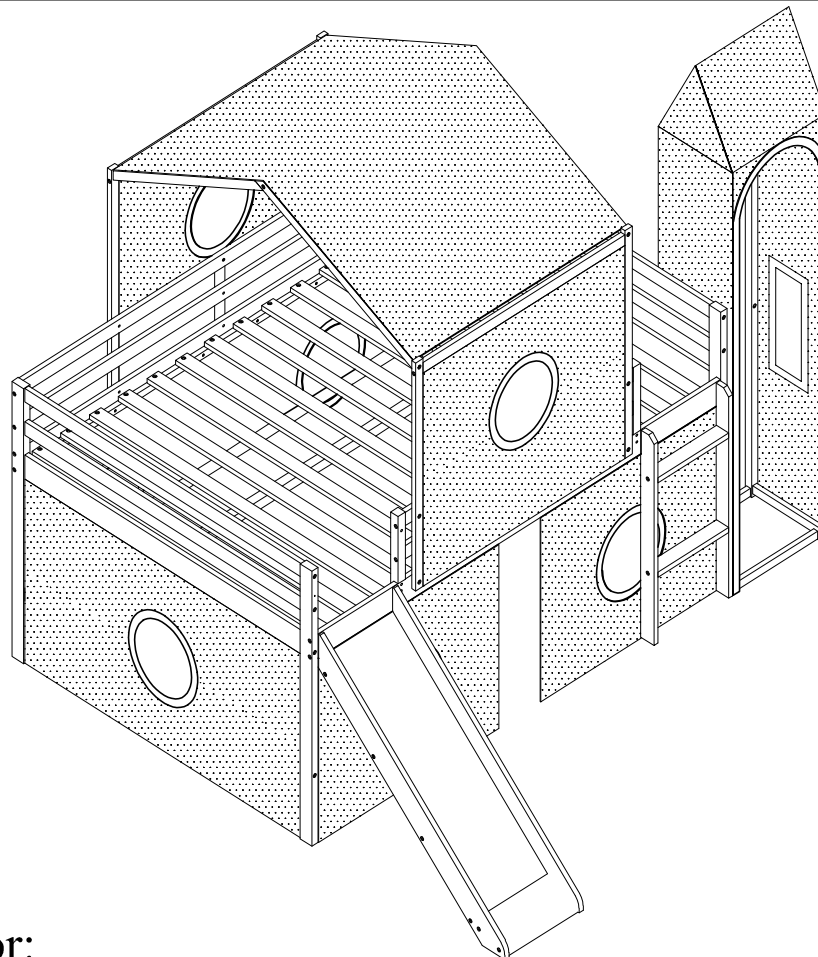
OPTION 3:

OPTION 1:



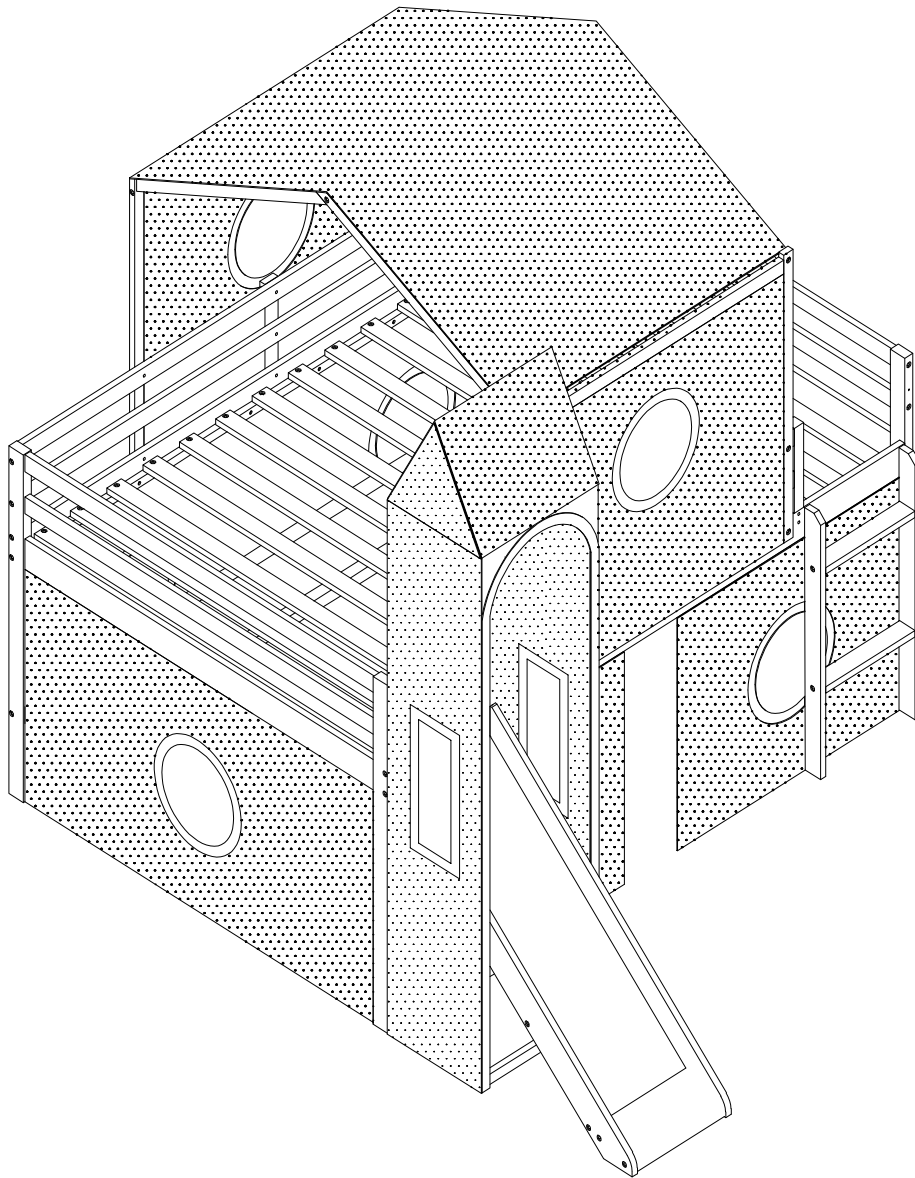
Assembly for:
Decorative frame on the left side of the tent.

OPTION 2:



Assembly for:
Decorative frame on the right side of the tent.

OPTION 3:



Assembly for:
Decorative frame on the mid side of the tent.