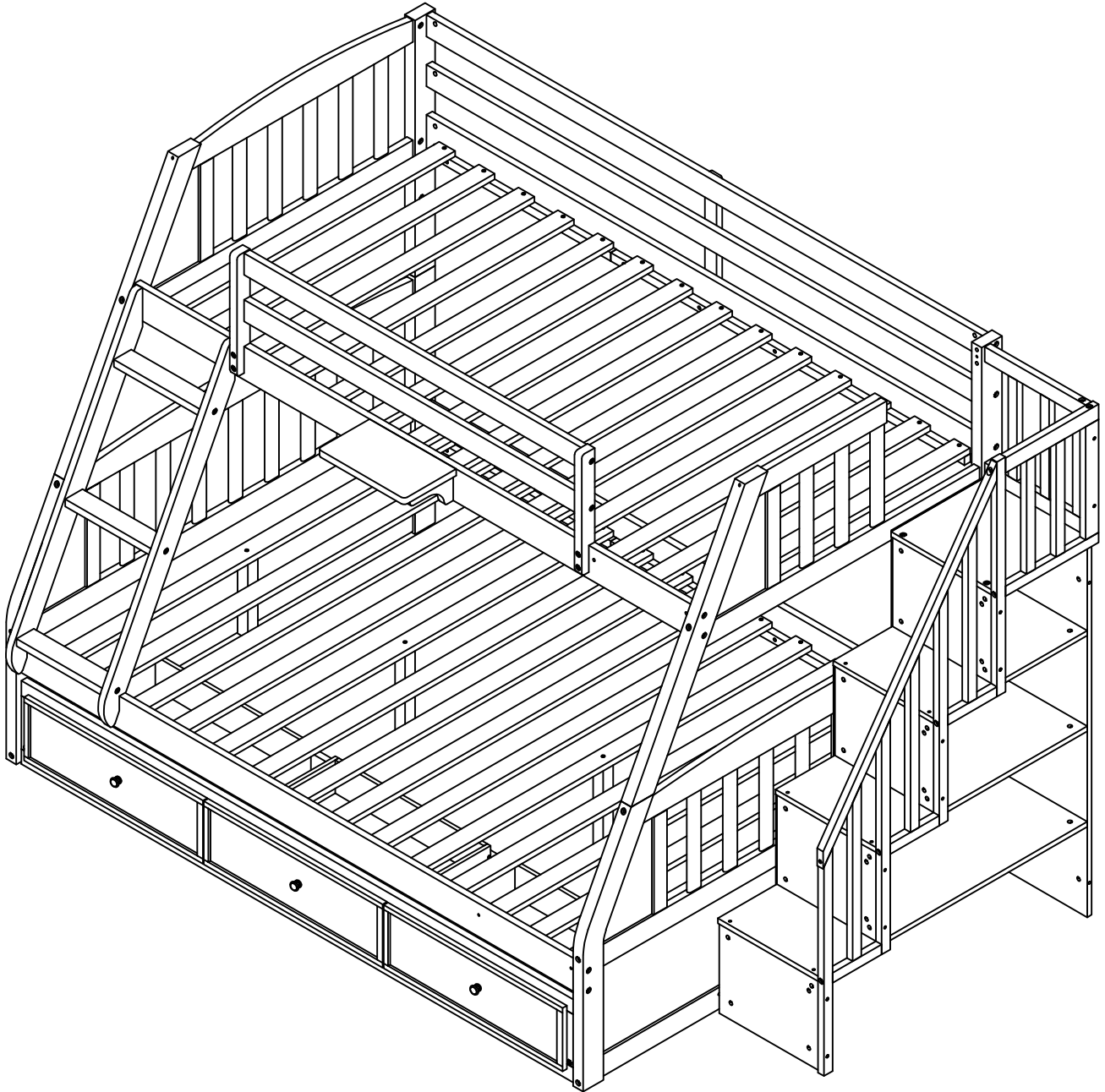


ASSEMBLY INSTRUCTIONS

TWIN OVER FULL WITH DRAWERS AND STORAGE STAIRCASE



WF297871/WF297872/WF297873

SAFETY WARNING

1. This bed is designed for use only mattress(es) meeting the following specifications on the upper bunk, and lower bunk:

Upper bunk

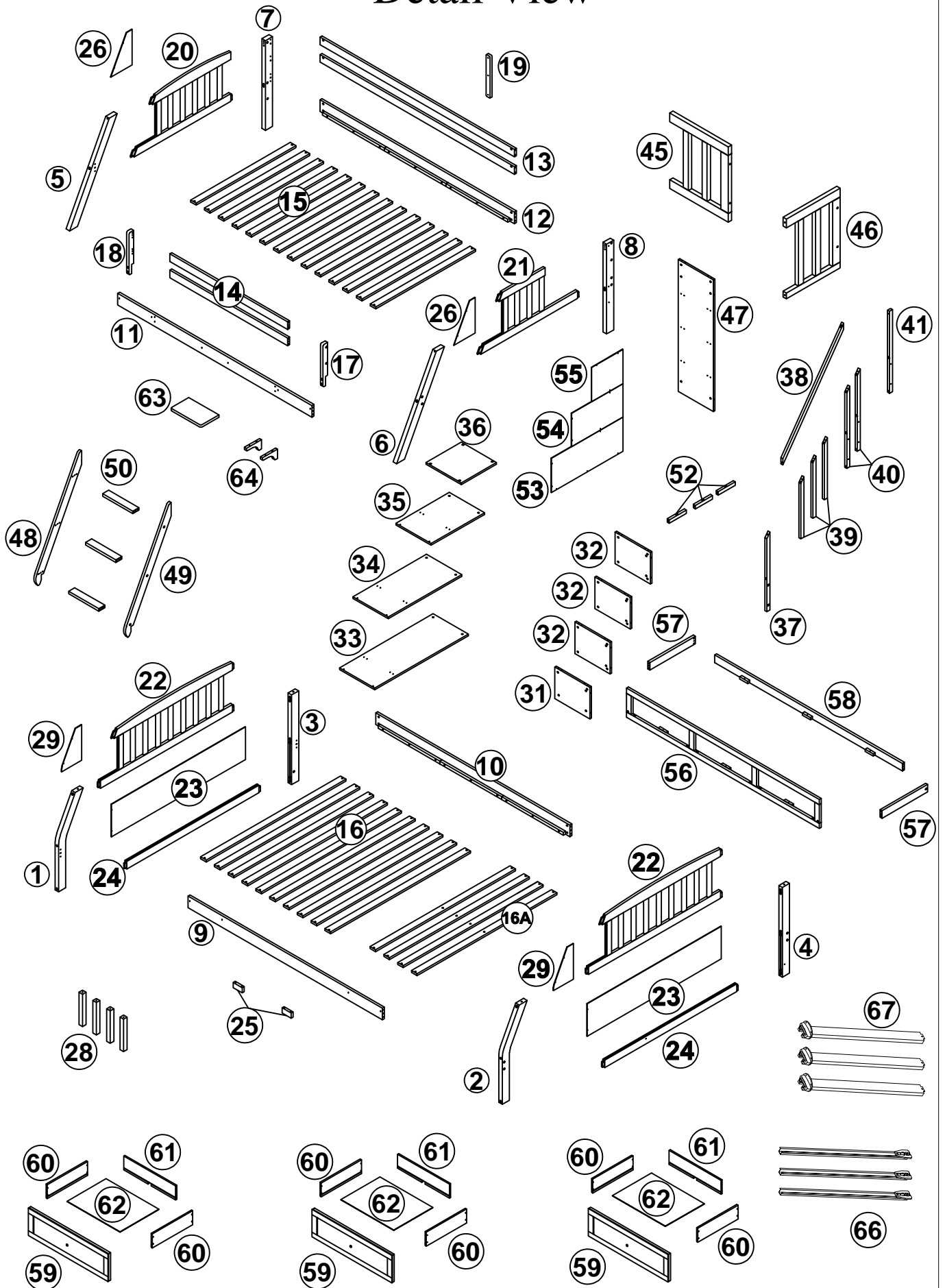
Bed Type	Length	Width	Thickness
Twin Standard	74" - 75"	38 1/2"	6"

Lower bunk


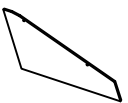

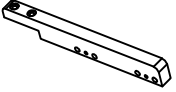
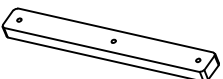
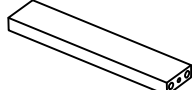
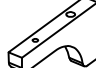
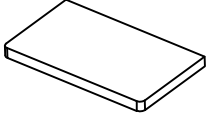
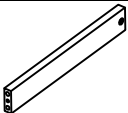
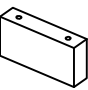
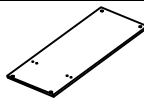
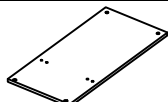
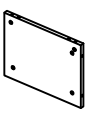
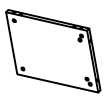
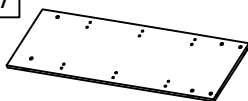

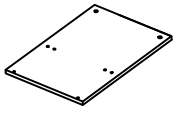
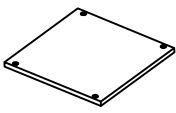

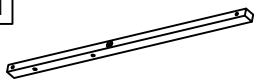

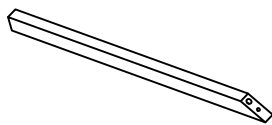

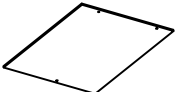
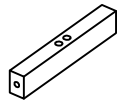


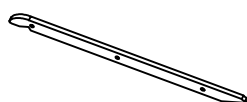
Bed Type	Length	Width	Thickness
Full Standard	74" - 75"	53 1/2"	6"

2. Replacement parts, including additional guardrails, may be obtained from any of our GIGACLOUD TECHNOLOGY (USA) INC.
3. Follow the information on the warnings appearing on the upper bunk bed end structure and on the carton. Do not remove warning label from bed.
4. Always use the recommended size mattresses or mattress supports, or both, to help prevent the likelihood of entrapment or falls.
5. Surface of the mattress must be at least 5 in. (127 mm) below the upper edge of guardrails.
6. Do not allow children under 6 years of age to use the upper bunk.
7. Periodically check and ensure that the guardrail, ladder, and other components are in their proper position, free from damage, and that all connectors are tight.
8. Do not allow horseplay on or under the bed and prohibit jumping on the bed
9. Always use the ladder for entering and leaving the upper bunk.
10. Do not use substitute parts. Contact the manufacturer or dealer for replacement parts.
11. Use of a night light may provided added safety precaution for a child using the upper bunk.
12. Always use guardrails on both long sides of the upper bunk. If the bunk bed will be placed next to the wall, the guardrail that runs the full length of the bed should be placed against the wall to prevent entrapment between the bed and wall.
13. The use of water or sleep flotation mattresses is prohibited.
14. **STRANGULATION HAZARD** – Never attach or hang items to any part of the bunk bed that are not designed for use with the bed; for example, but not limited to, hook, belts and jump ropes.
15. Keep these instructions for future reference
16. We recommend assembling your bunk bed on a shipping carton to protect your floor or carpet
17. Be certain all staples are out of the box before beginning assembly on the shipping carton
18. Prohibit more than one person on upper bunk

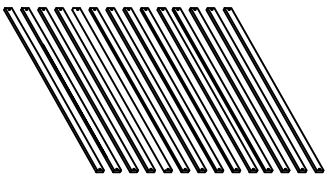
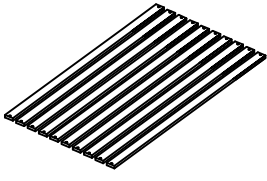

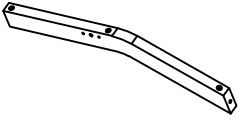
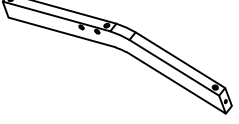
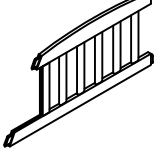
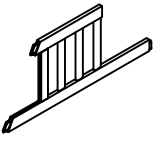
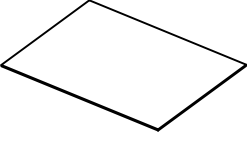
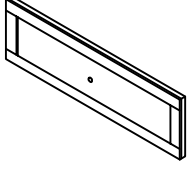
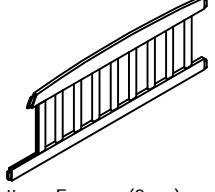
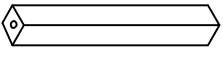
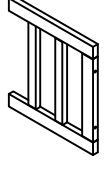
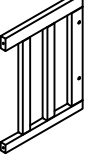
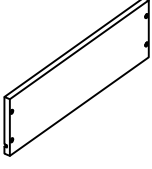
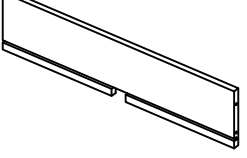
Detail View



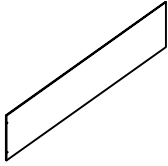
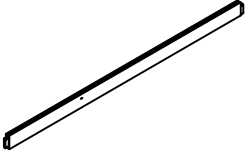


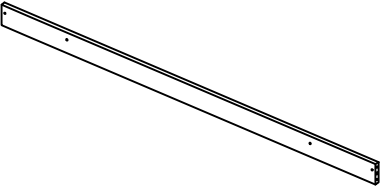
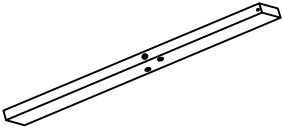
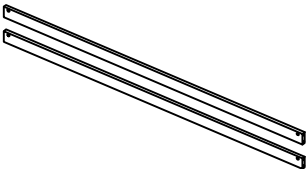


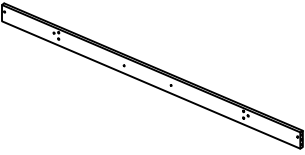
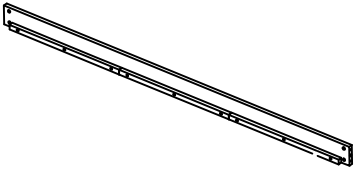
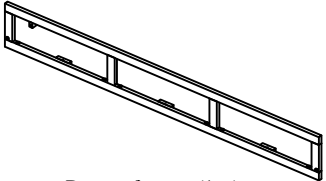
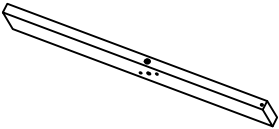

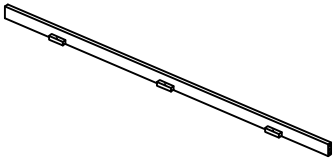
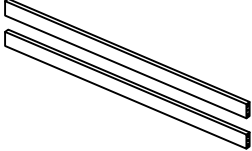
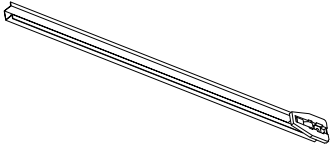
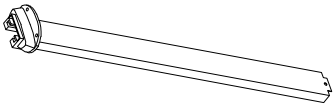
PART LISTS : WF297871

26  Upper panel - (2pcs)	29  Bottom panel - (2pcs)	17  Guardrail front posts (Right) - (1pc)	18  Guardrail front posts (Left) - (1pc)
19  Back Guardrail reinforce bar - (1pc)	50  Ladder steps - (3pcs)	64  Support shelf - (2pcs)	63  Shelf - (1pc)
57  Drawer blocking hip - (2pcs)	25  Wood block - (2pcs)	33  Lower horizontal plank - (1pc)	34  Horizontal midboard - (1pc)
31  Bottom plank - (1pc)	32  Middle plank - (3pcs)	47  Plank standing behind - (1pc)	37  Bottom bar - (1pc)
35  Upper middle plank - (1pc)	36  Top plank - (1pc)	40  Upper bar - (2pcs)	41  Top bar - (1pc)
38  Handrail - (1pc)	39  Middle bar - (3pcs)	54  Middle panel (1pc)	55  Top panel - (1pc)
52  Balustrade - (3pcs)	53  Bottom panel - (1pc)	48  Ladder rail Left - (1pc)	49  Ladder rail Right - (1pc)


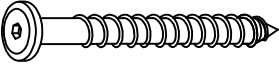
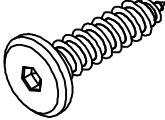
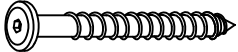
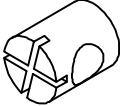


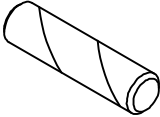
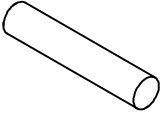

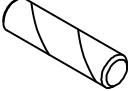


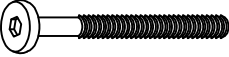

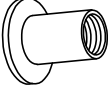
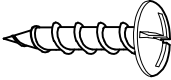

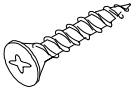


PART LISTS : WF297872

<p>15</p>  <p>Upper slats - (14pcs)</p>	<p>16</p>  <p>Bottom slats - (10pcs)</p>	<p>16A</p>  <p>Bottom 3 holes slats - (4pcs)</p>
<p>1</p>  <p>Bottom front leg (Left) - (1pc)</p>	<p>2</p>  <p>Bottom front leg (Right) - (1pc)</p>	<p>20</p>  <p>Upper Frame left- 1pc</p>
<p>21</p>  <p>Upper Frame Right- 1pc</p>	<p>62</p>  <p>Bottom drawer - (3pcs)</p>	<p>59</p>  <p>Drawer front - (3pcs)</p>
<p>22</p>  <p>Bottom Frame - (2pcs)</p>	<p>28</p>  <p>Center support leg - (4pcs)</p>	<p>45</p>  <p>Stair frame (back) (1pc)</p>
<p>46</p>  <p>Stair frame (right) (1pc)</p>	<p>60</p>  <p>Drawer side panels - (6pcs)</p>	<p>61</p>  <p>Drawer Back panels - (3pcs)</p>

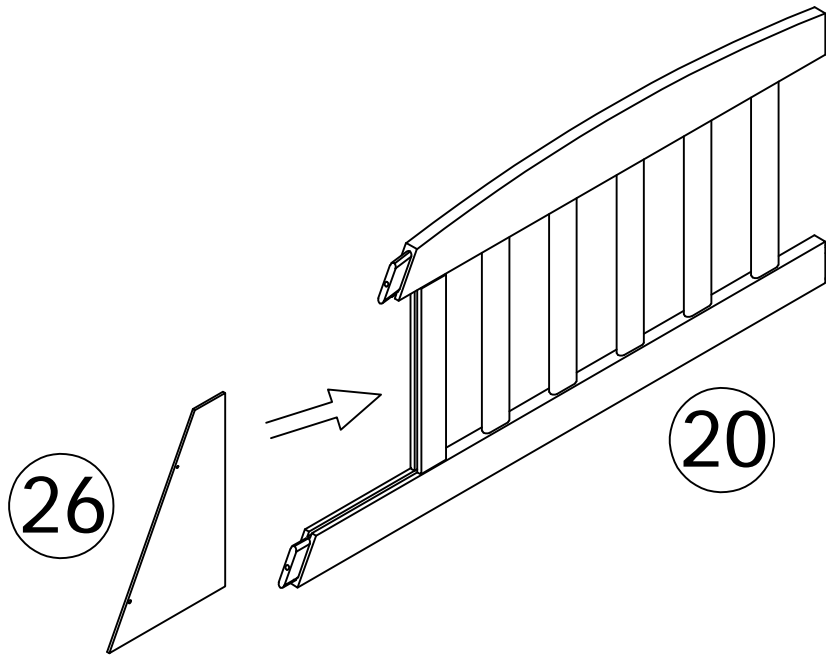
PART LISTS : WF297873

<p>23</p>  <p>Bottom panel - (2pcs)</p>	<p>24</p>  <p>Bottom rail - (2pcs)</p>	<p>4</p>  <p>Bottom back leg (Right) - (1pc)</p>
<p>10</p>  <p>Bottom back side rail - (1pc)</p>	<p>9</p>  <p>Bottom front side rail - (1pc)</p>	<p>6</p>  <p>Upper front leg (Left) - (1pc)</p>
<p>13</p>  <p>Back upper side rail - (2pcs)</p>	<p>3</p>  <p>Bottom back leg (Left) - (1pc)</p>	<p>7</p>  <p>Upper front leg (Right) - (1pc)</p>
<p>11</p>  <p>Front upper side rail - (1pc)</p>	<p>12</p>  <p>Back upper side rail - (1pc)</p>	<p>56</p>  <p>Drawer frame - (1pc)</p>
<p>5</p>  <p>Upper front leg (Right) - (1pc)</p>	<p>8</p>  <p>Upper back leg (Left) - (1pc)</p>	<p>58</p>  <p>Drawer stop bar - (1pc)</p>
<p>14</p>  <p>Front upper side rails - (2pcs)</p>	<p>66</p>  <p>Kenlin glide (+) - (3pcs)</p>	<p>67</p>  <p>Kenlin glide (-) - (3pcs)</p>

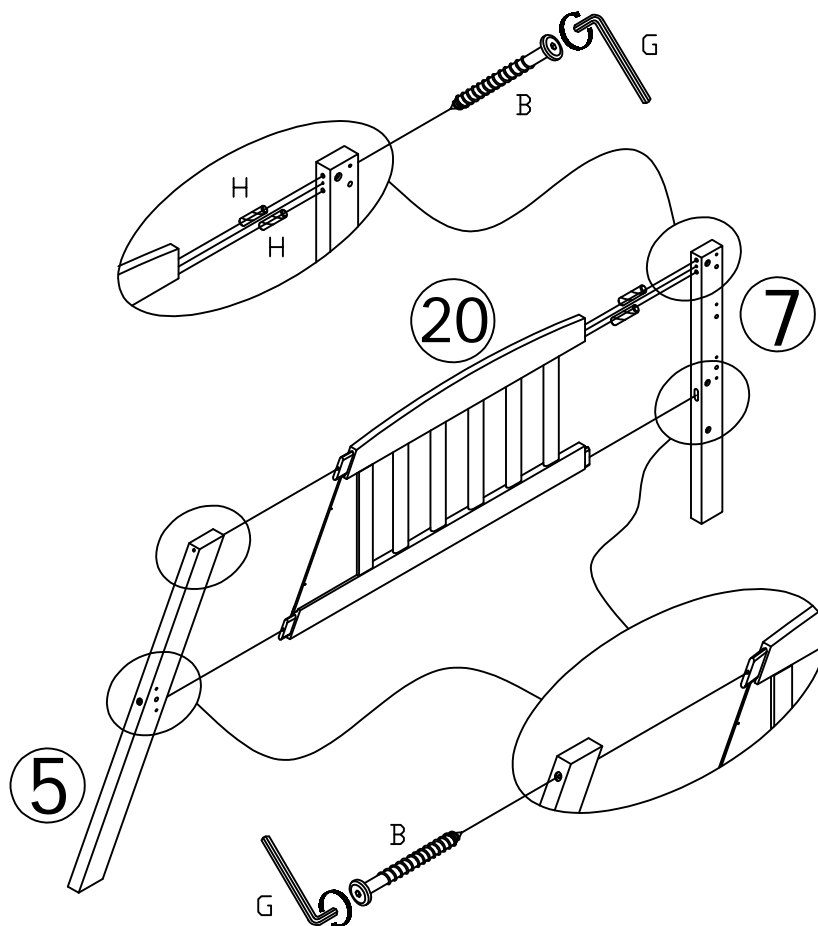
HARDWARE LISTS : WF297873



<p>A</p>  <p>Hex-Head bolt: Ø1/4**65mm - (5pcs)</p>	<p>B</p>  <p>Hex-Head bolt: Ø6**100mm - (19pcs)</p>	<p>C</p>  <p>Hex-Head bolt: Ø6**30mm - (5pcs)</p>
<p>D</p>  <p>Hex-Head bolt: Ø6**85mm - (1pc)</p>	<p>E</p>  <p>Hole bolt: Ø1/4**9.5*12mm - (57pcs)</p>	<p>F</p>  <p>Hex-Head bolt: Ø6**50mm - (18pcs)</p>
<p>G</p>  <p>Allen key - (1pc)</p>	<p>H</p>  <p>Wood dowel: Ø10*30 - (44pcs)</p>	<p>J</p>  <p>Metal dowel: Ø10*90mm - (4pcs)</p>
<p>K</p>  <p>Screw: Ø4*30mm (87pcs)</p>	<p>R</p>  <p>Wood dowel: Ø8*30 - (34pcs)</p>	<p>P</p>  <p>Hex-Head bolt: Ø1/4**30mm - (8pcs)</p>
<p>V</p>  <p>Holder - (3pcs)</p>	<p>Z</p>  <p>Hex-Head bolt: Ø1/4**85mm - (22pcs)</p>	<p>Y</p>  <p>Bolts: 5/32**25mm - (3pcs)</p>
<p>Q</p>  <p>Knot: Ø1/4" - (4pcs)</p>	<p>O</p>  <p>Umbrella head screw: Ø3.5*15mm - (25pcs)</p>	<p>X</p>  <p>Hex-Head bolt: Ø6**70mm - (9pcs)</p>
<p>W</p>  <p>Screw: Ø4*25mm - (6pcs)</p>	<p>N</p>  <p>Hex-Head bolt: Ø1/4**50mm - (22pcs)</p>	<p>L</p>  <p>Hex-Head bolt: Ø1/4**70mm - (8pcs)</p>

Step 1

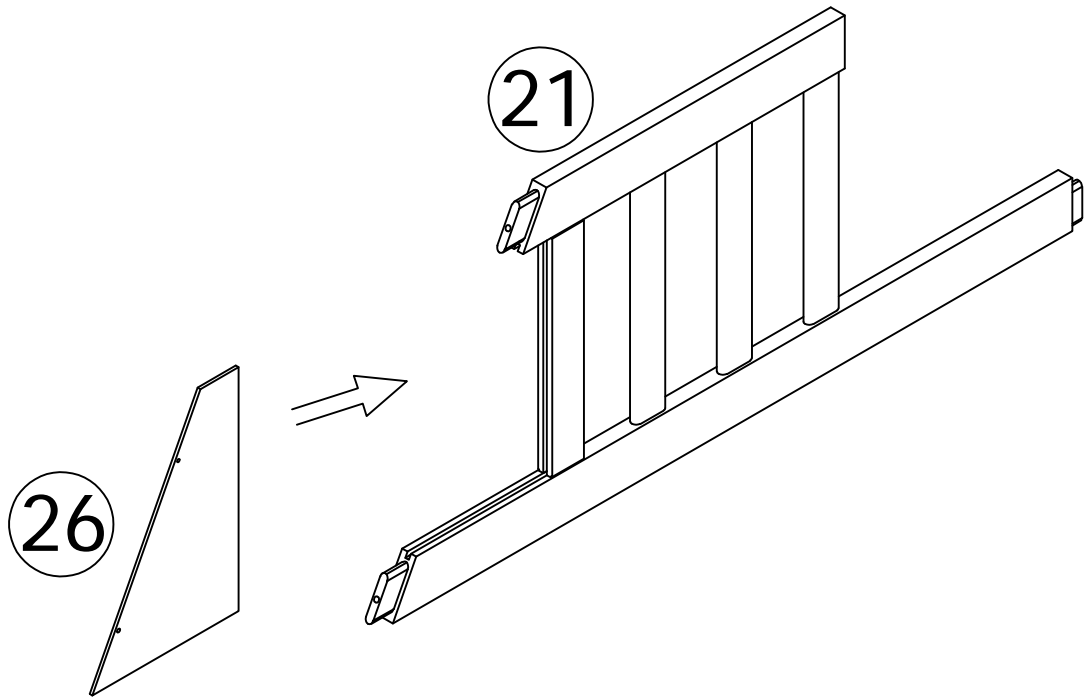


Step 2

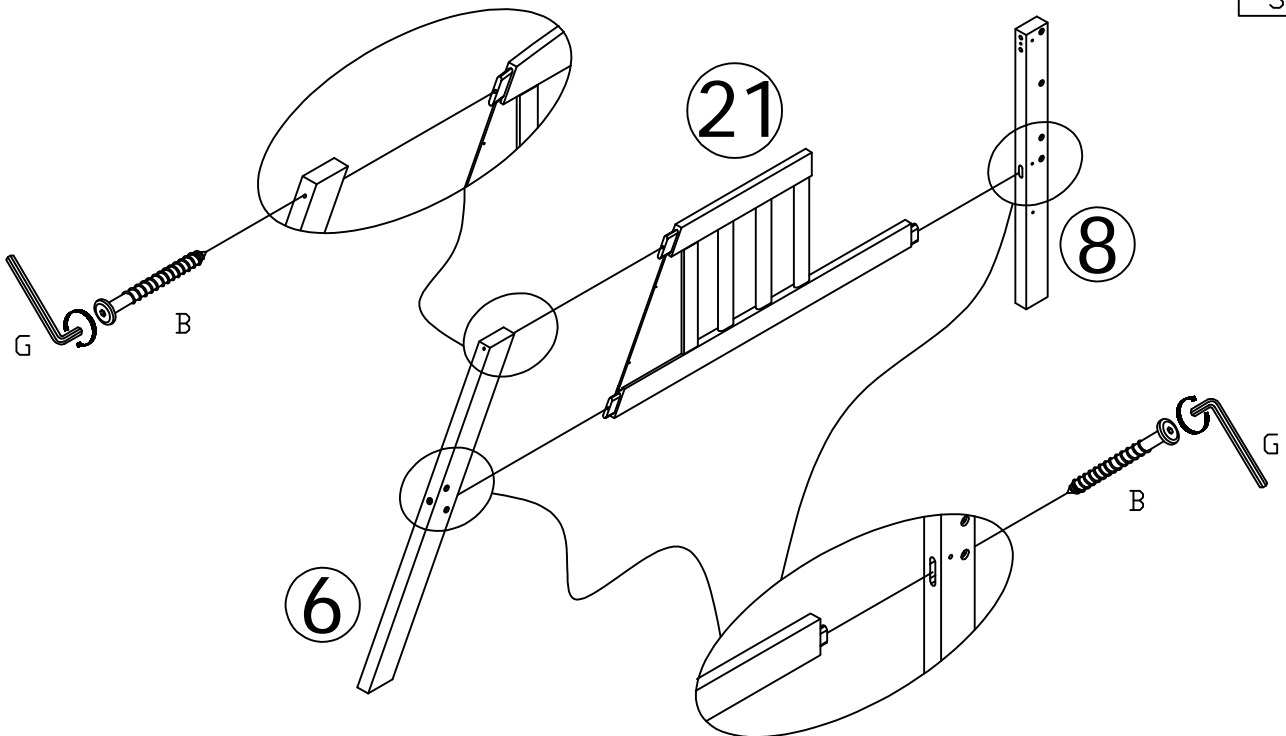
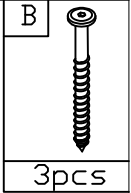


H	B
	
2pcs	4pcs

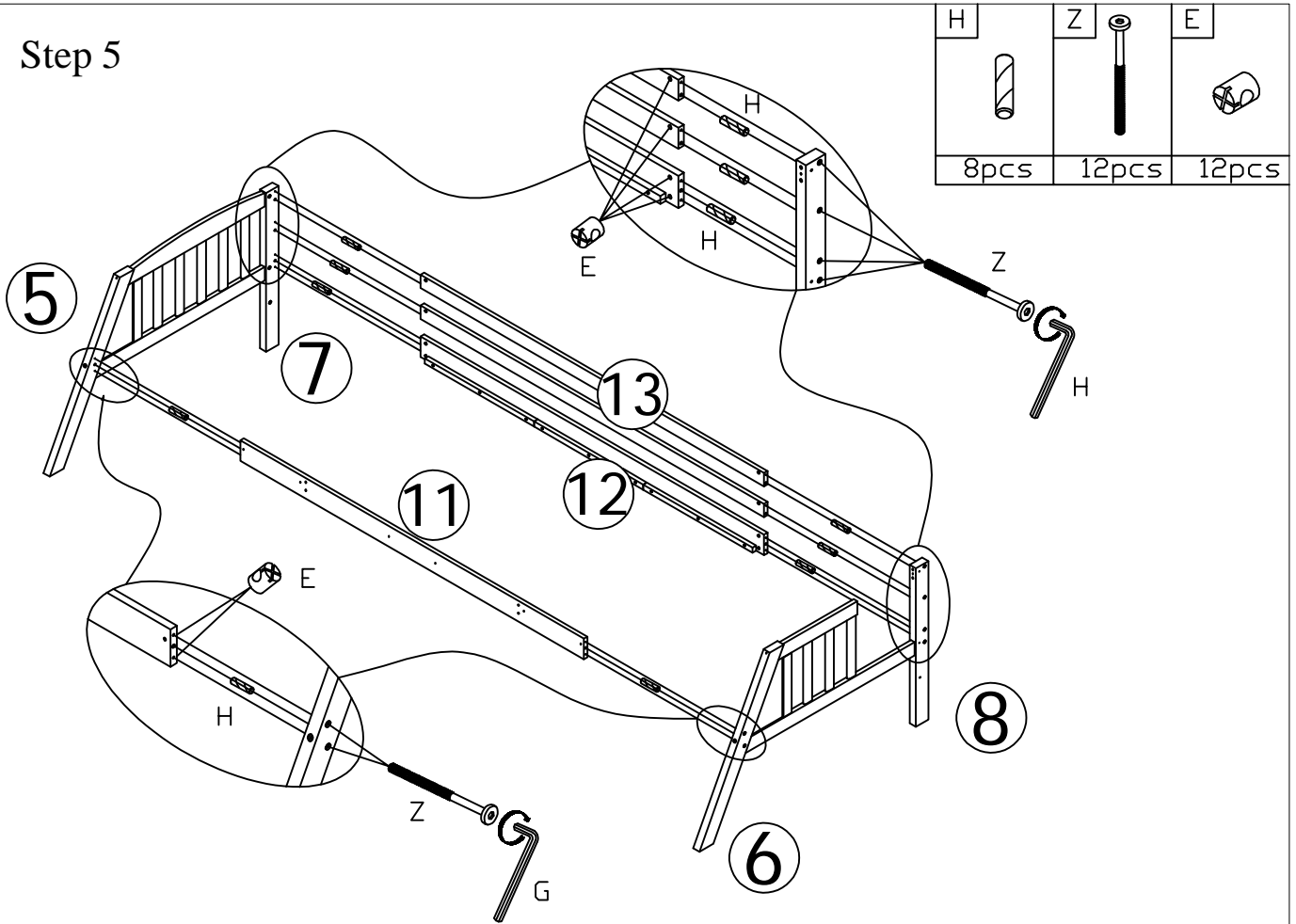
Step 3



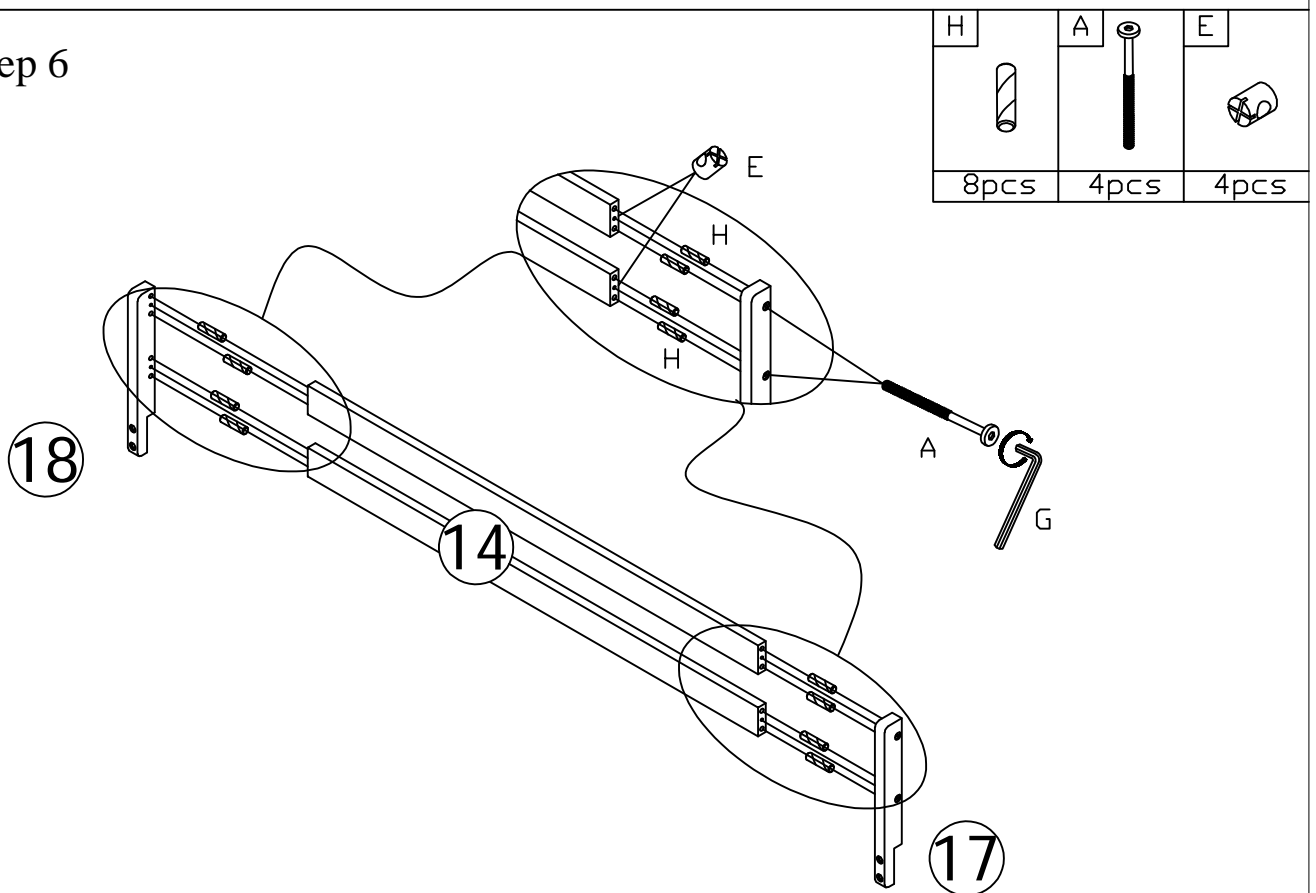
Step 4



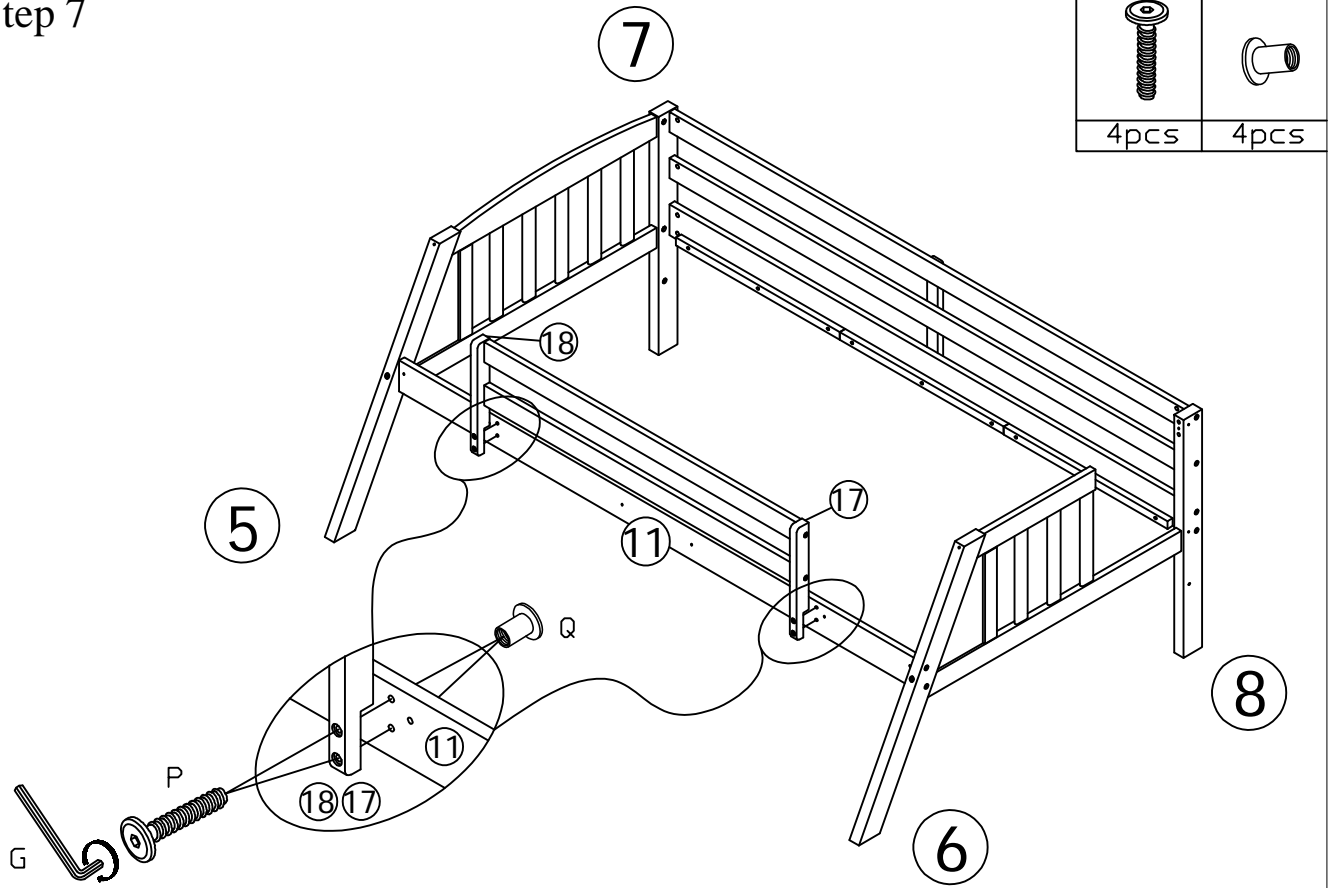
Step 5



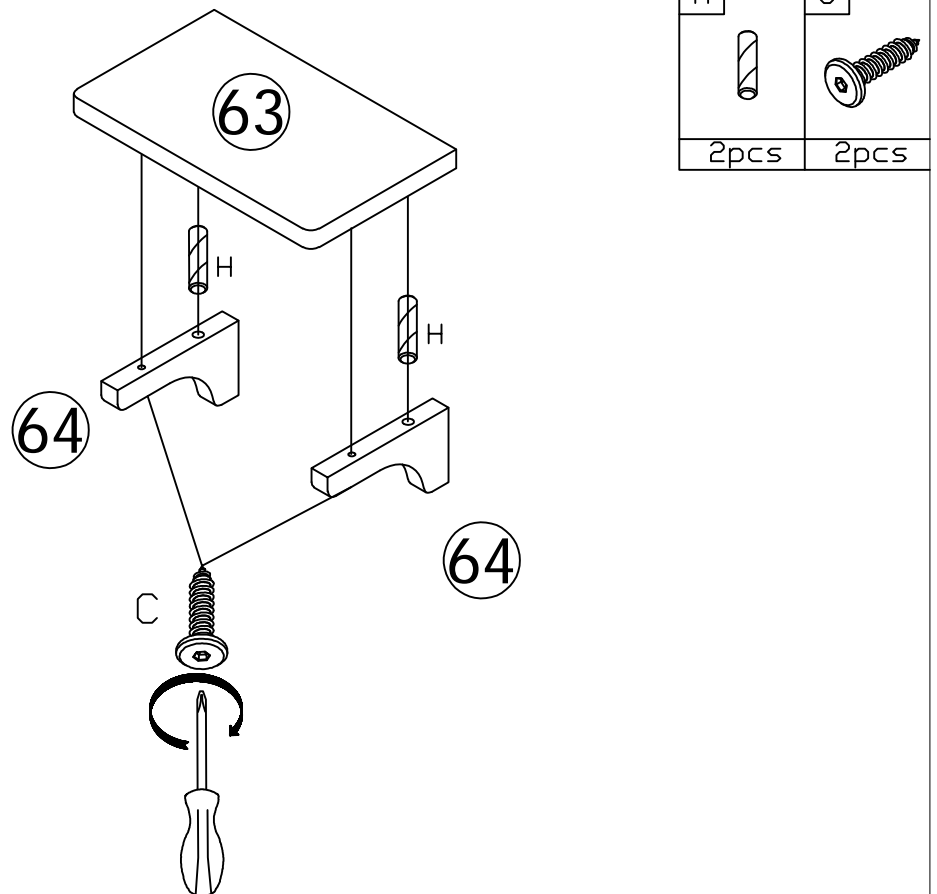
Step 6



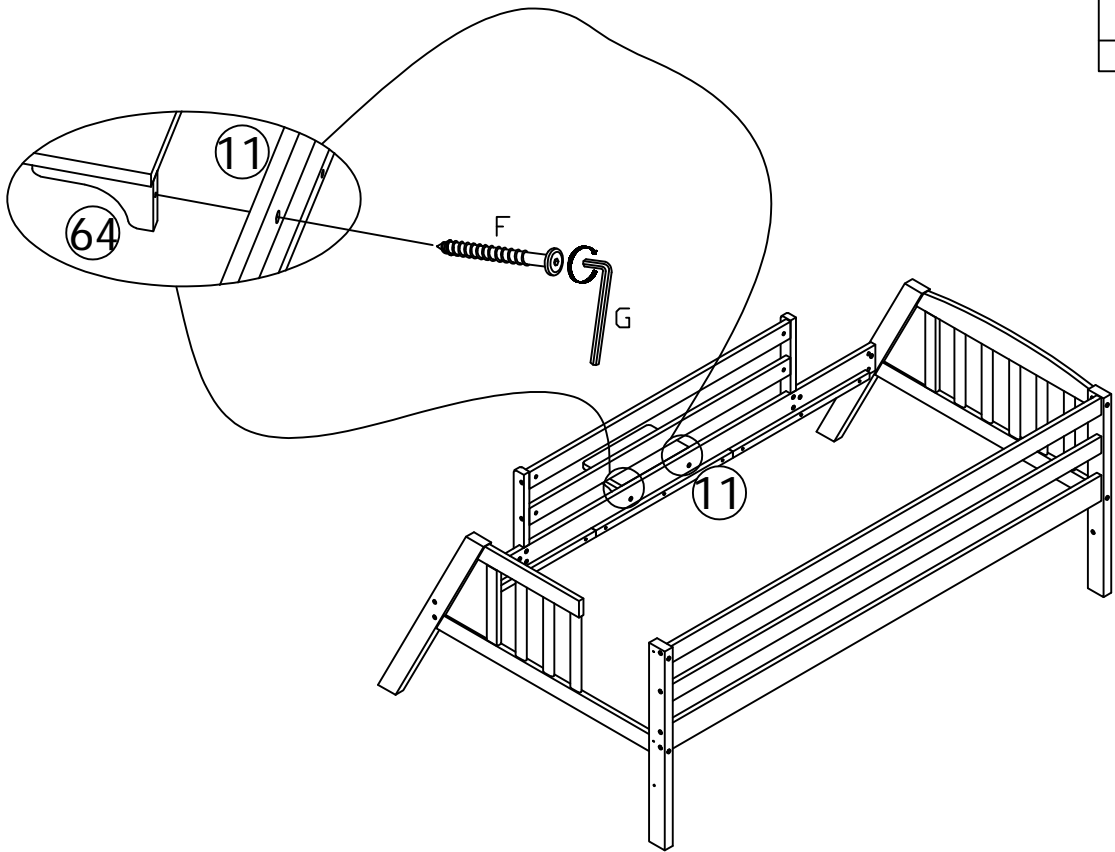
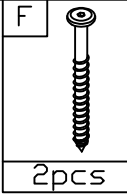
Step 7



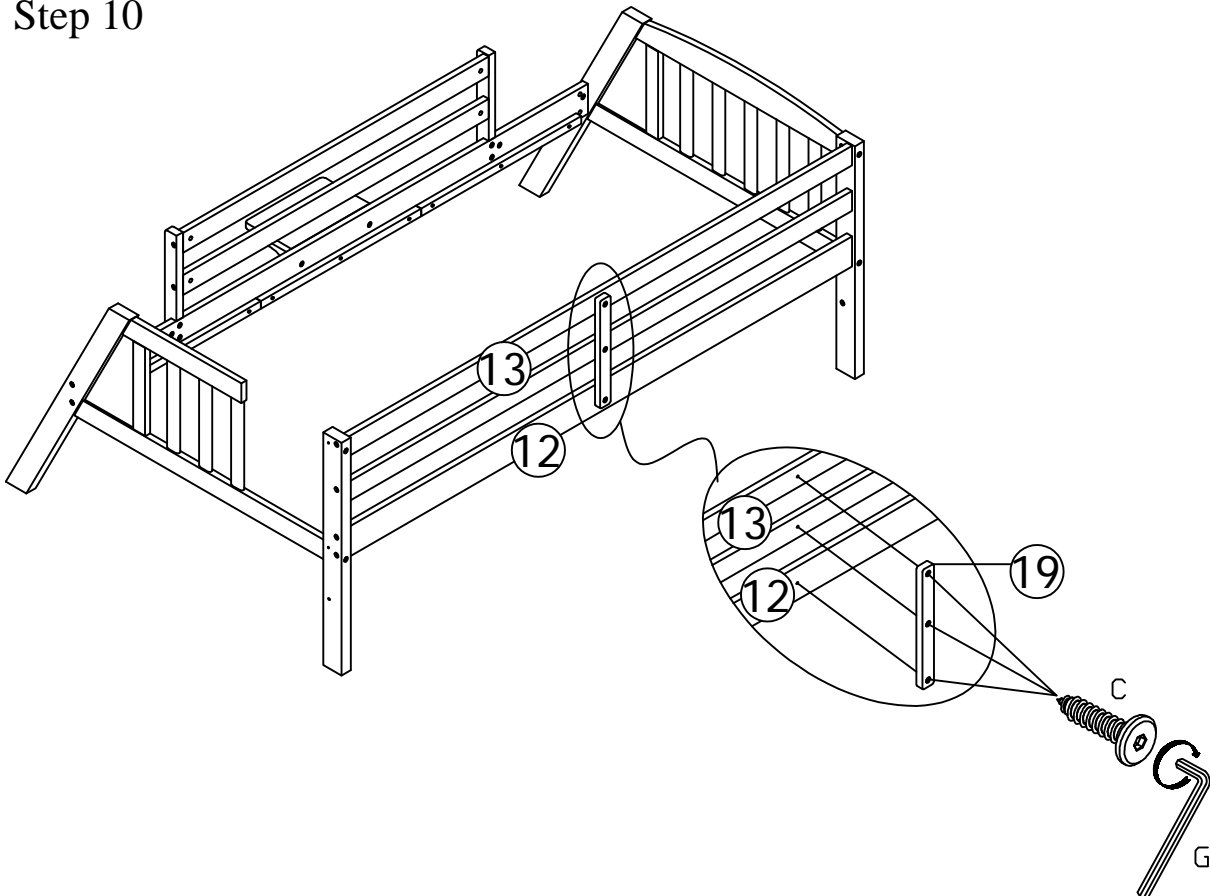
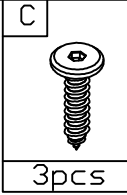
Step 8



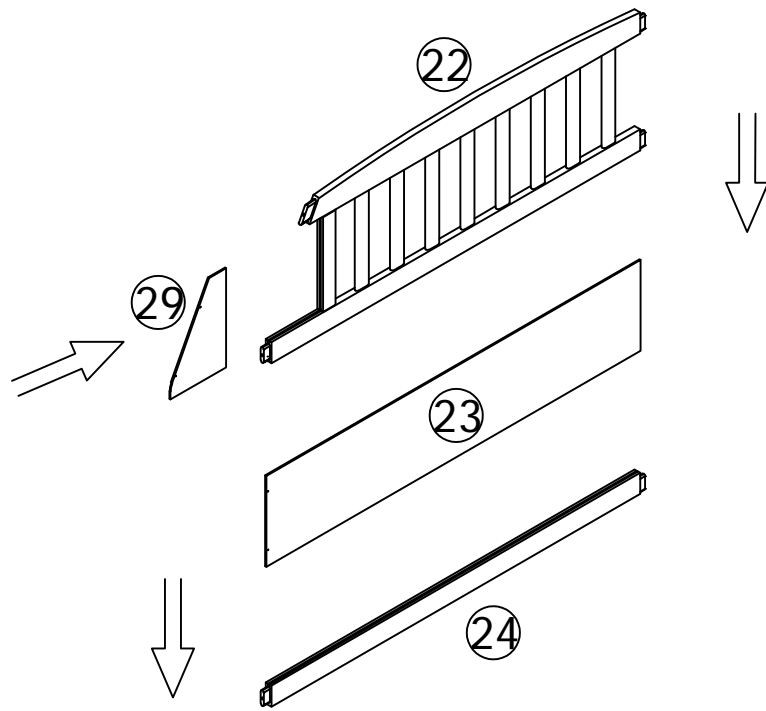
Step 9



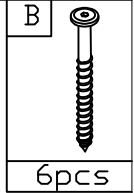
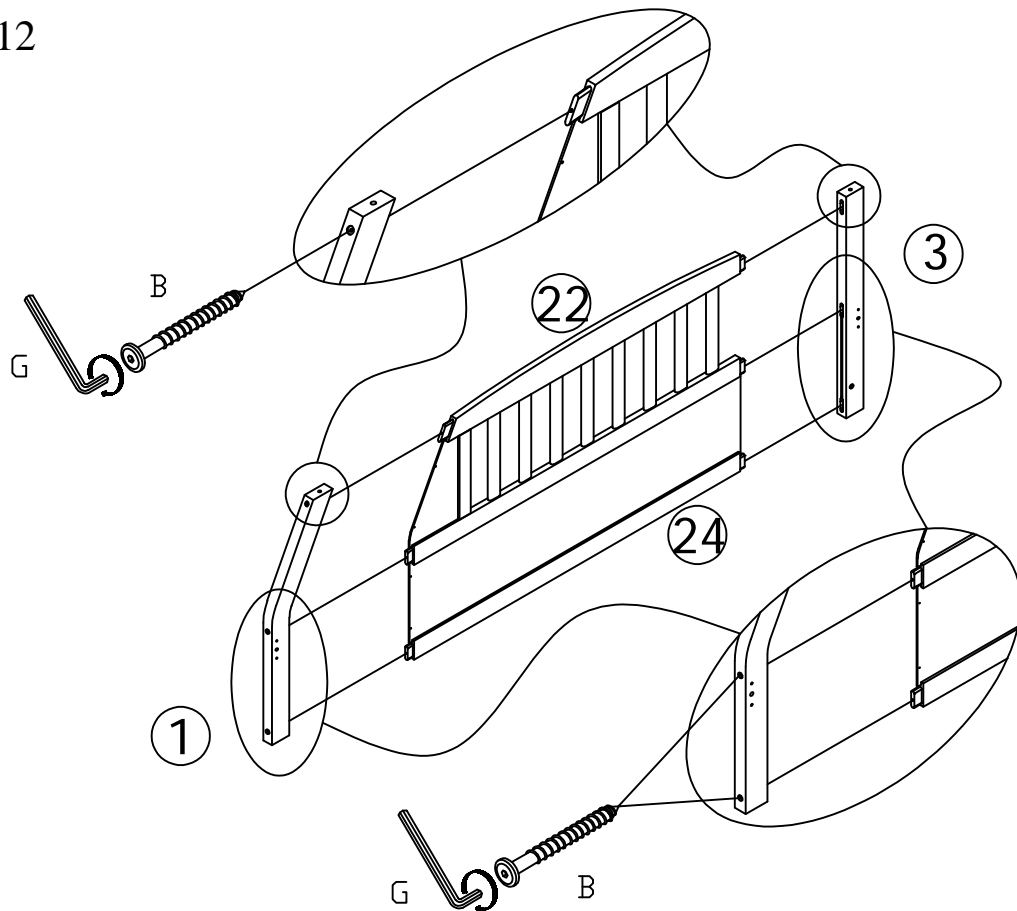
Step 10



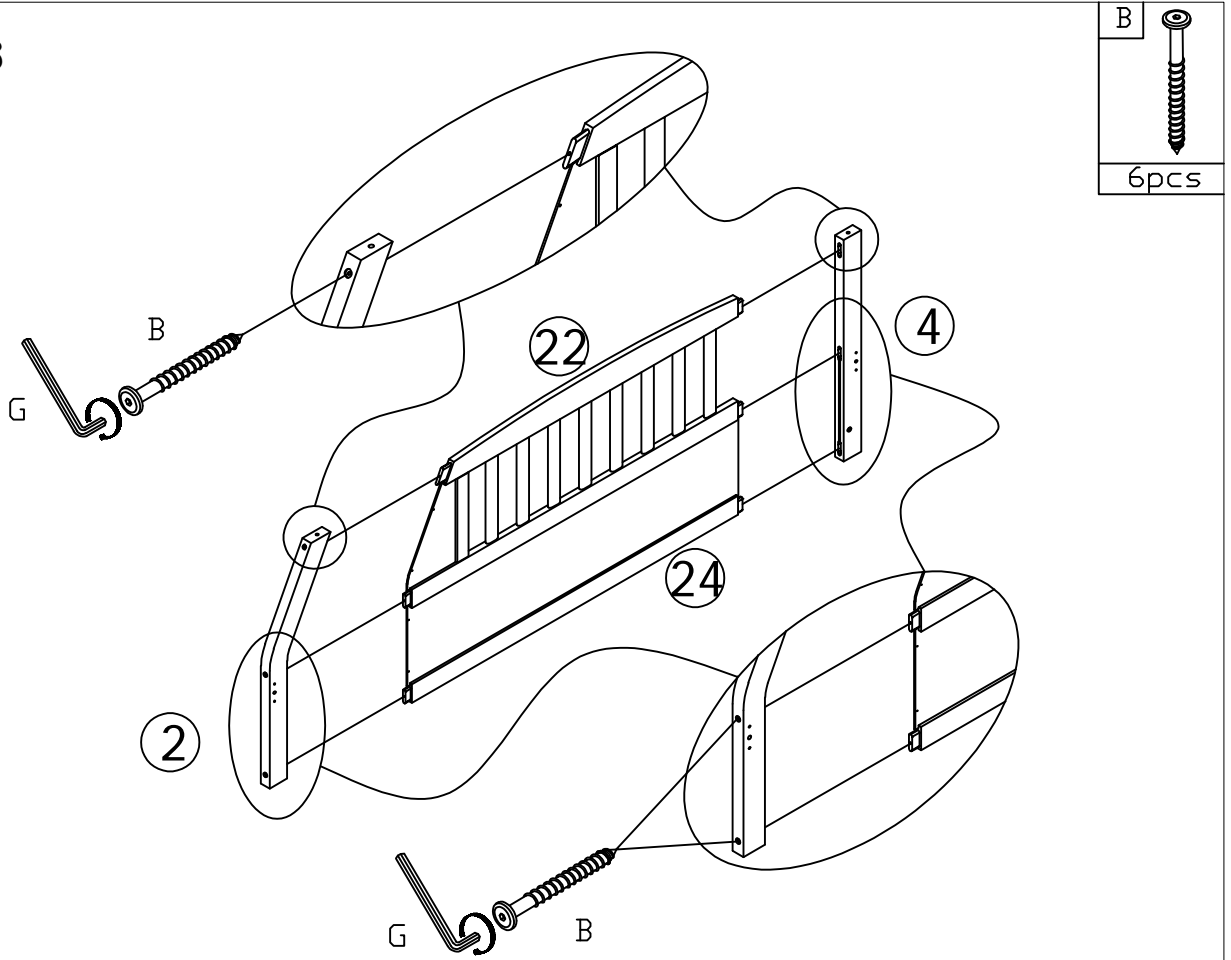
Step 11



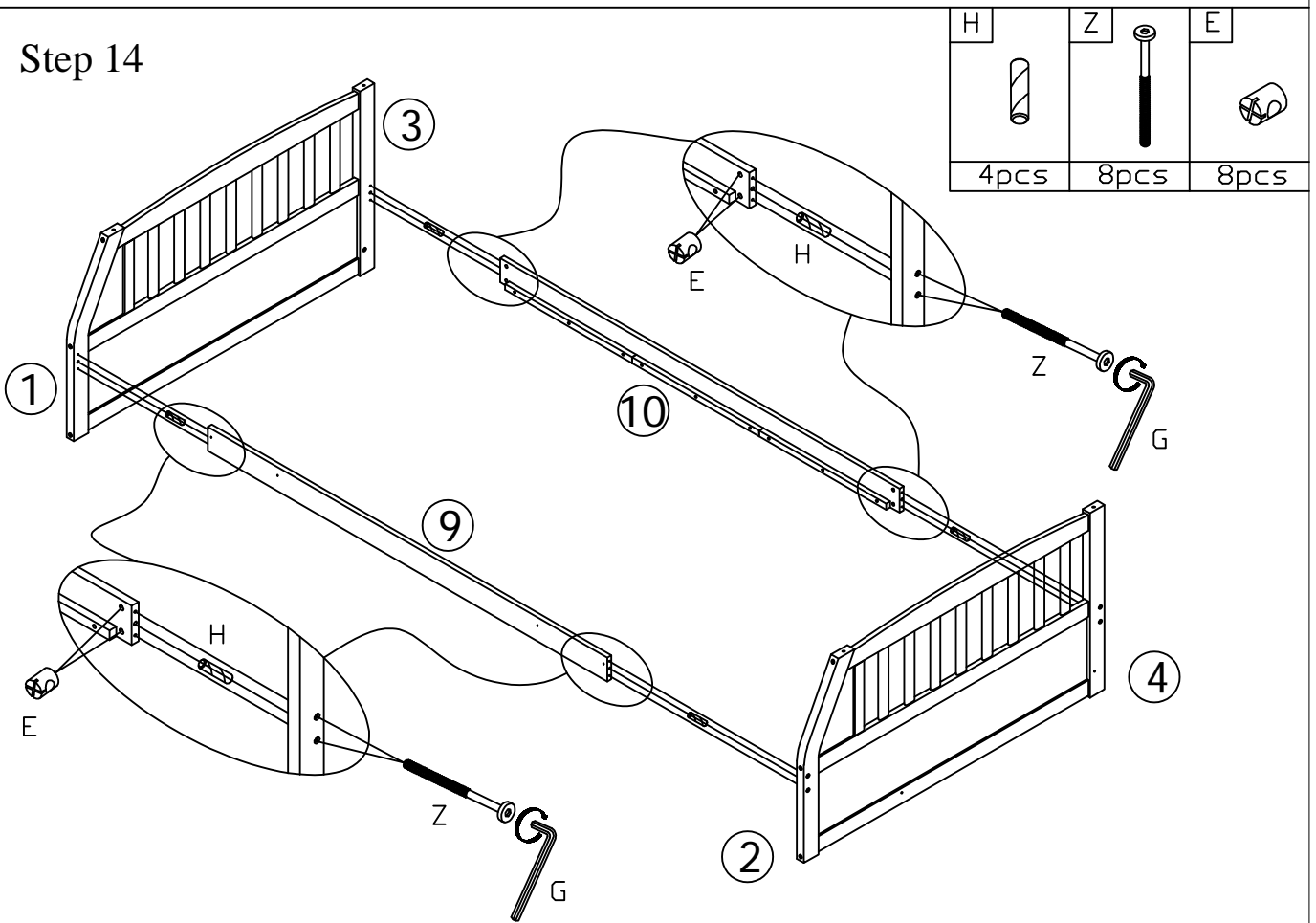
Step 12



Step 13

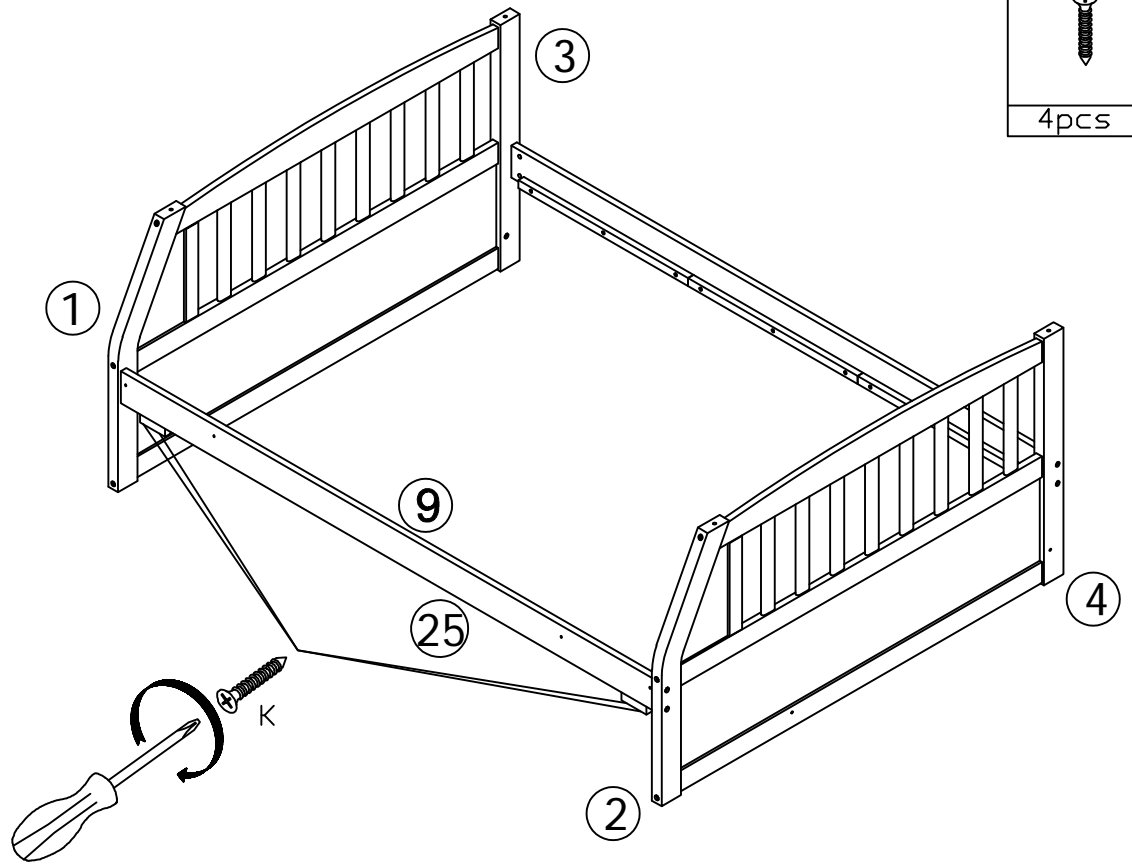


Step 14



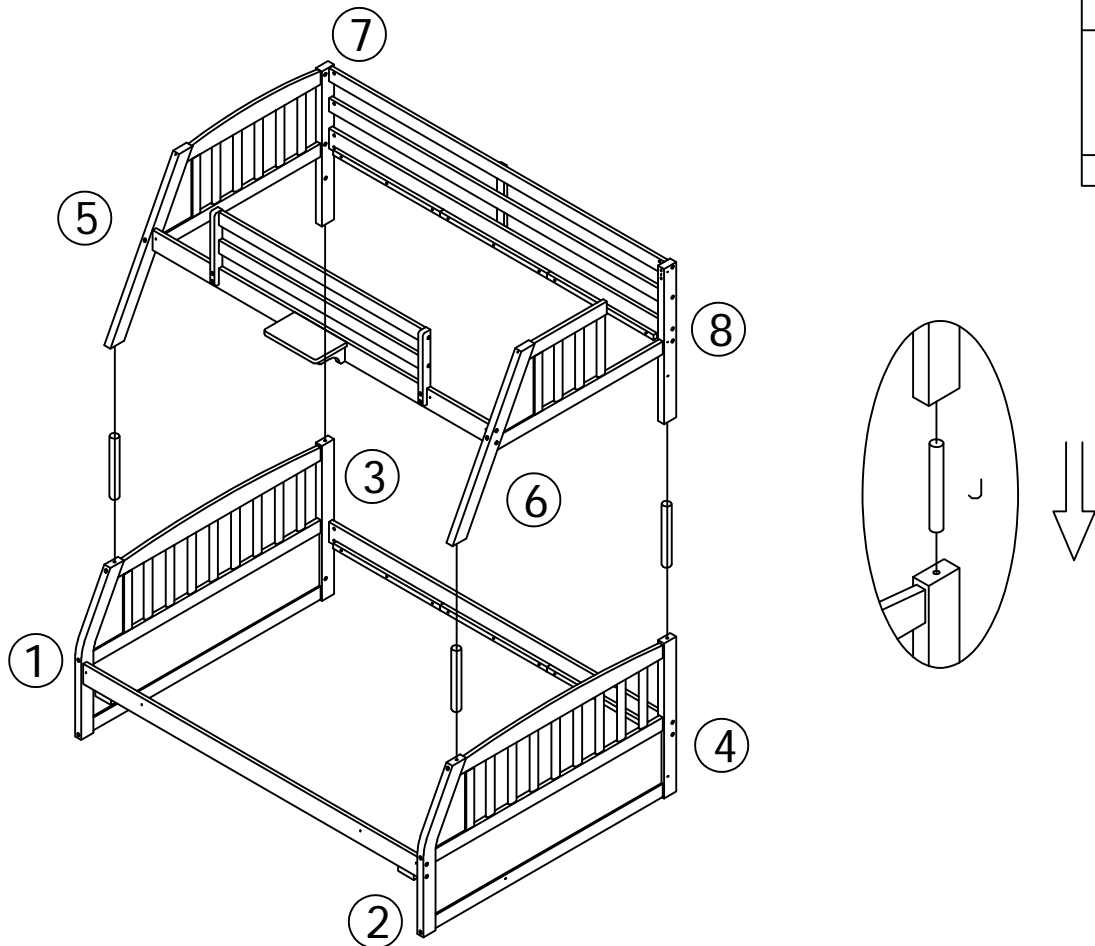
Step 15

K
4pcs





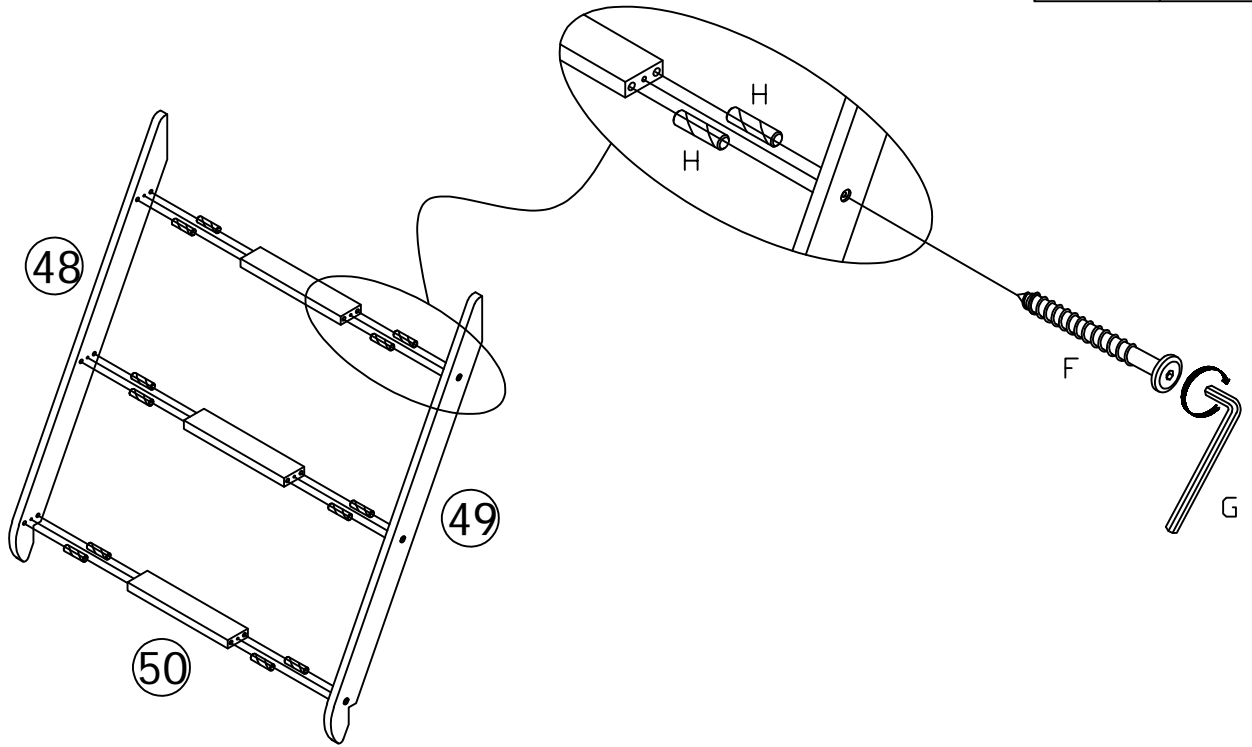
Step 16

J
4pcs

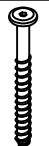


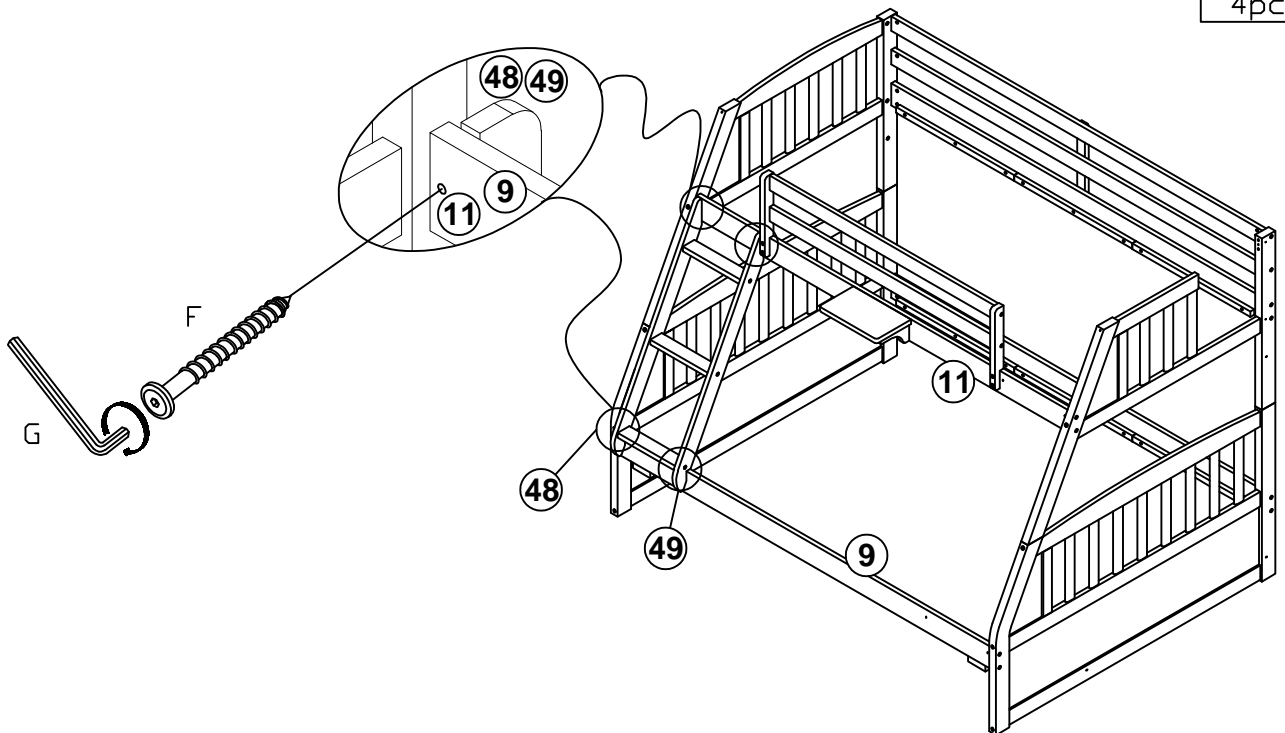
Step 17

H	F
	
12pcs	6pcs






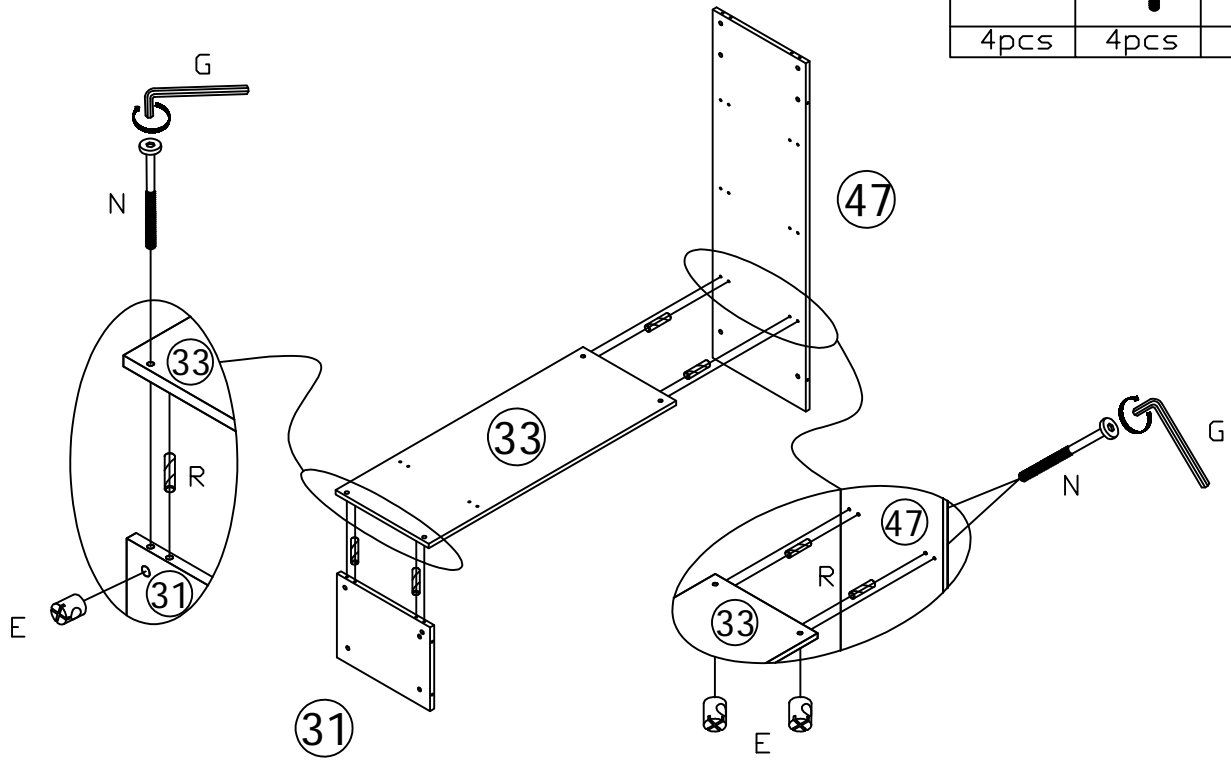
Step 18

F

4pcs






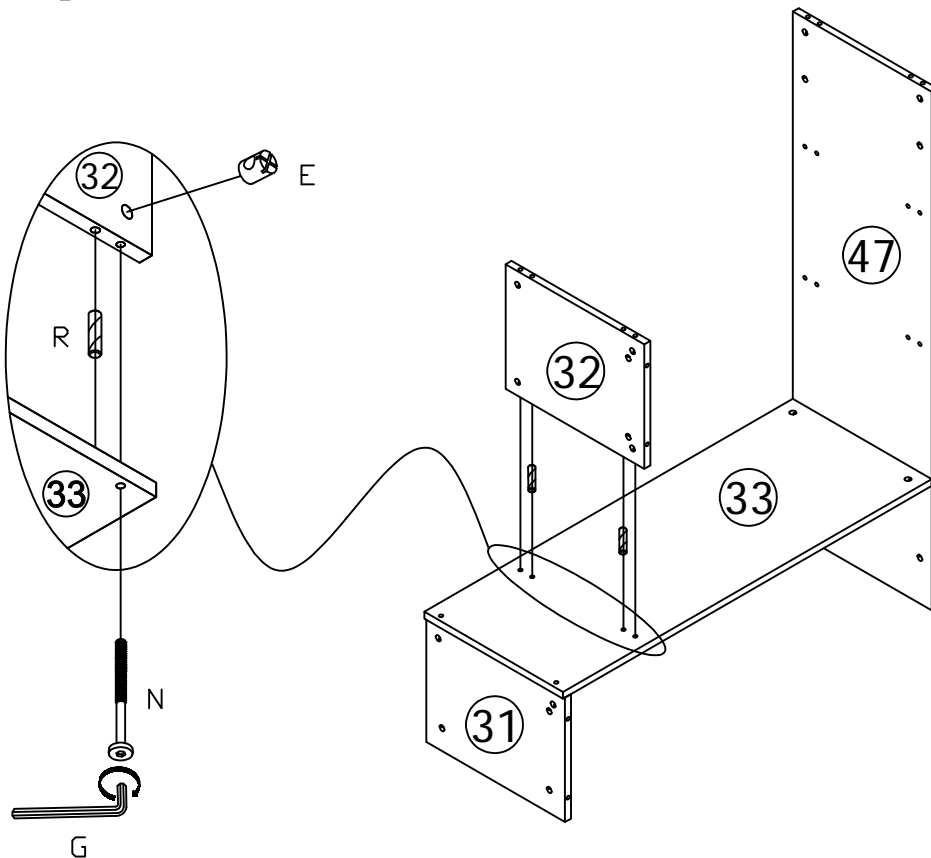
Step 19

R	N	E
		
4pcs	4pcs	4pcs

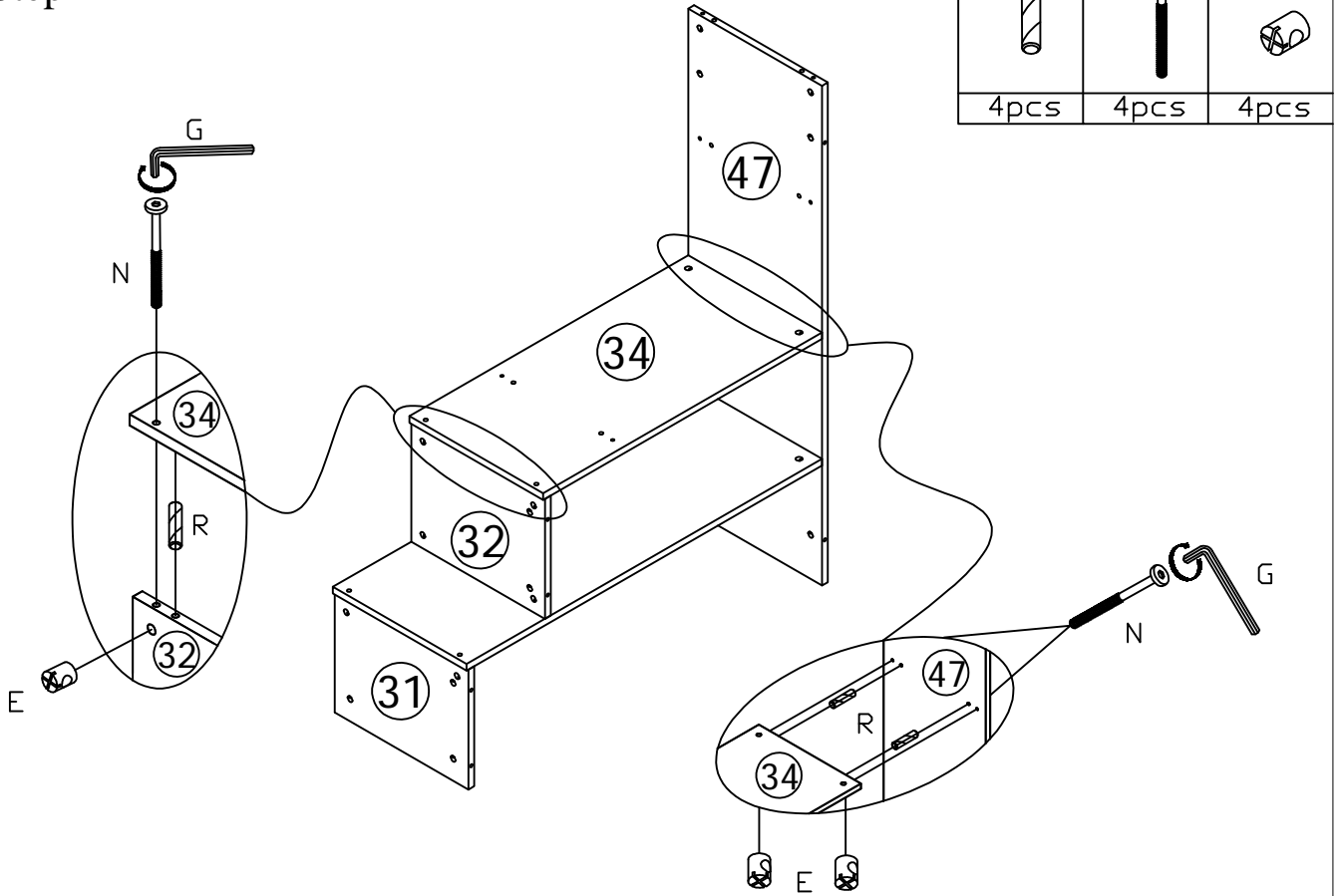


Step 20

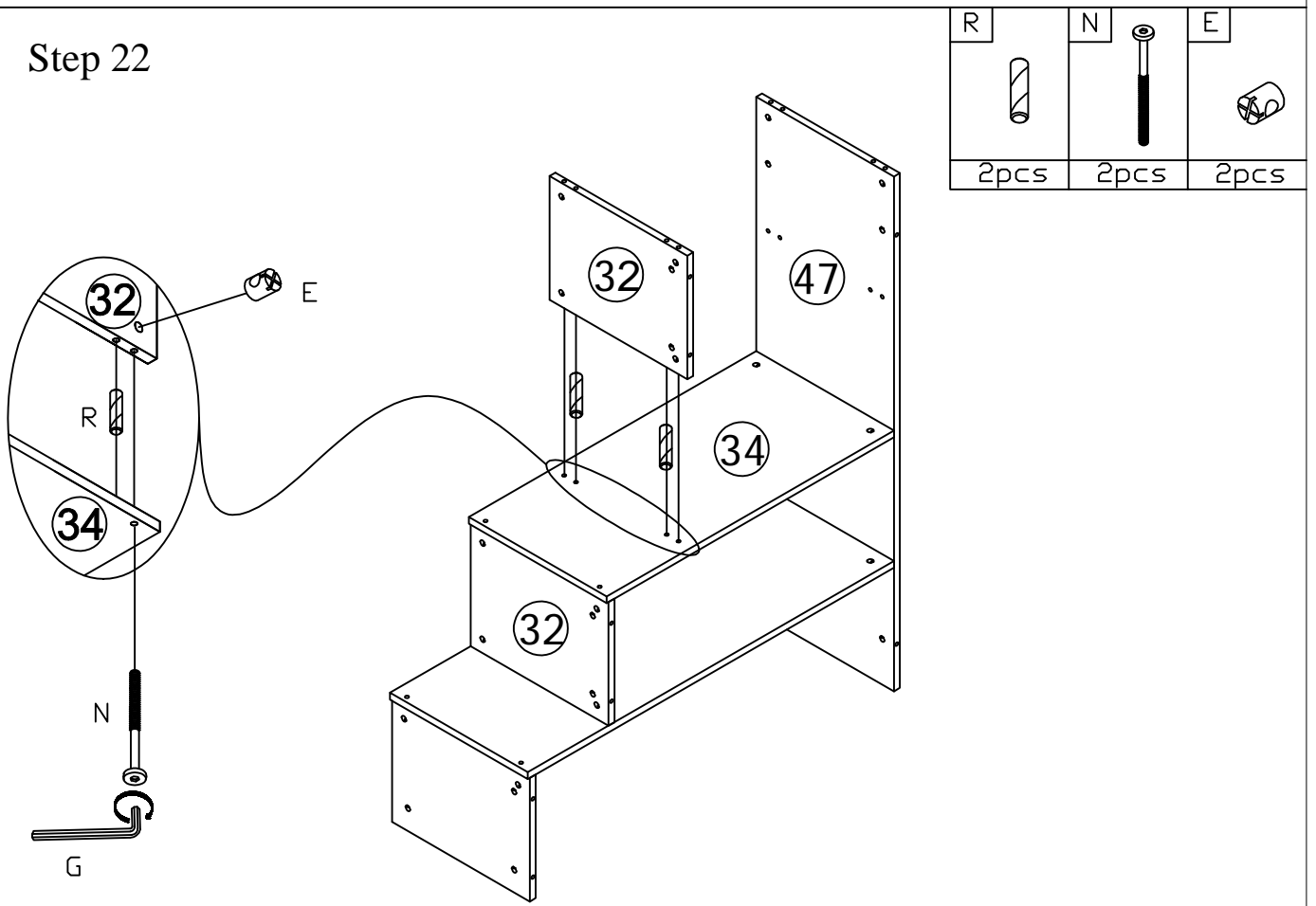
R	N	E
		
2pcs	2pcs	2pcs



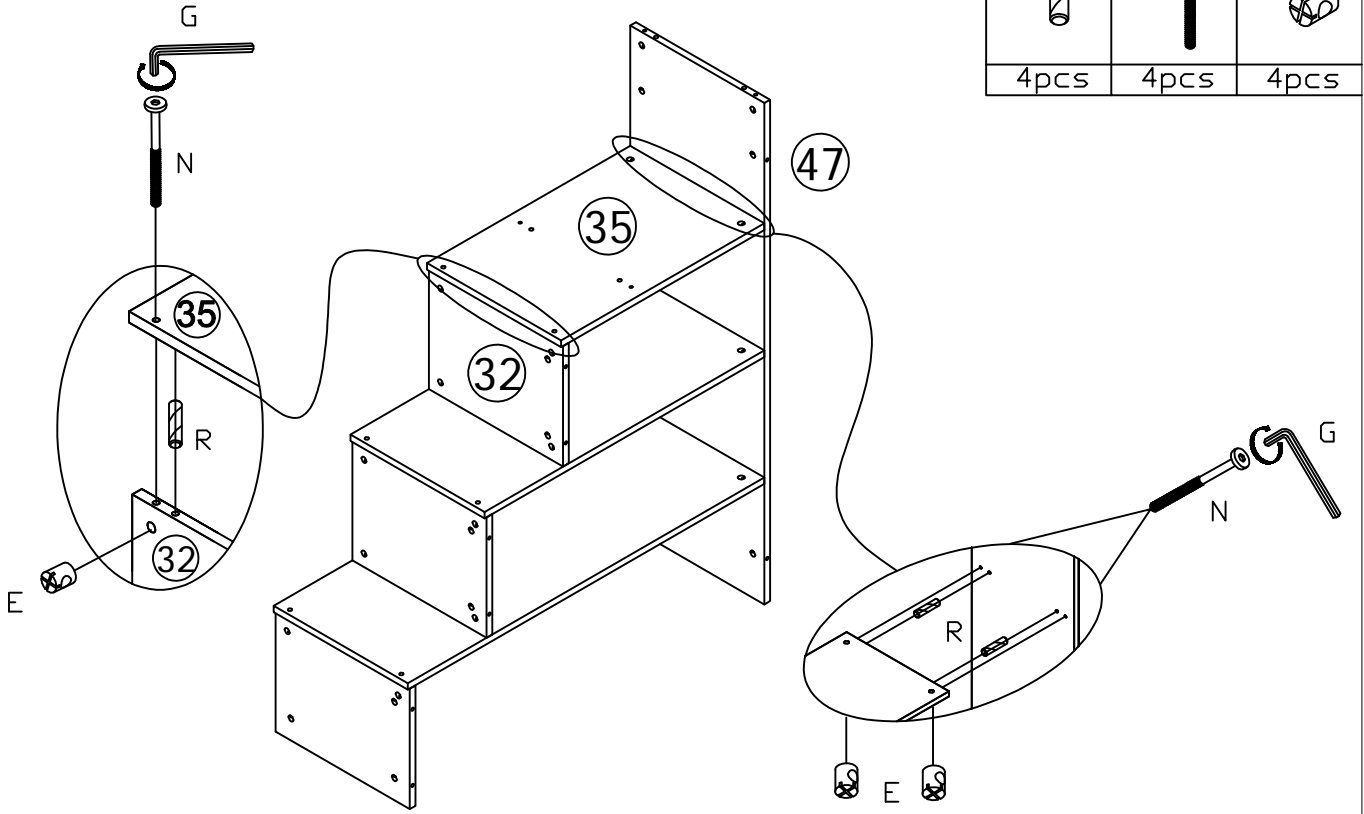
Step 21



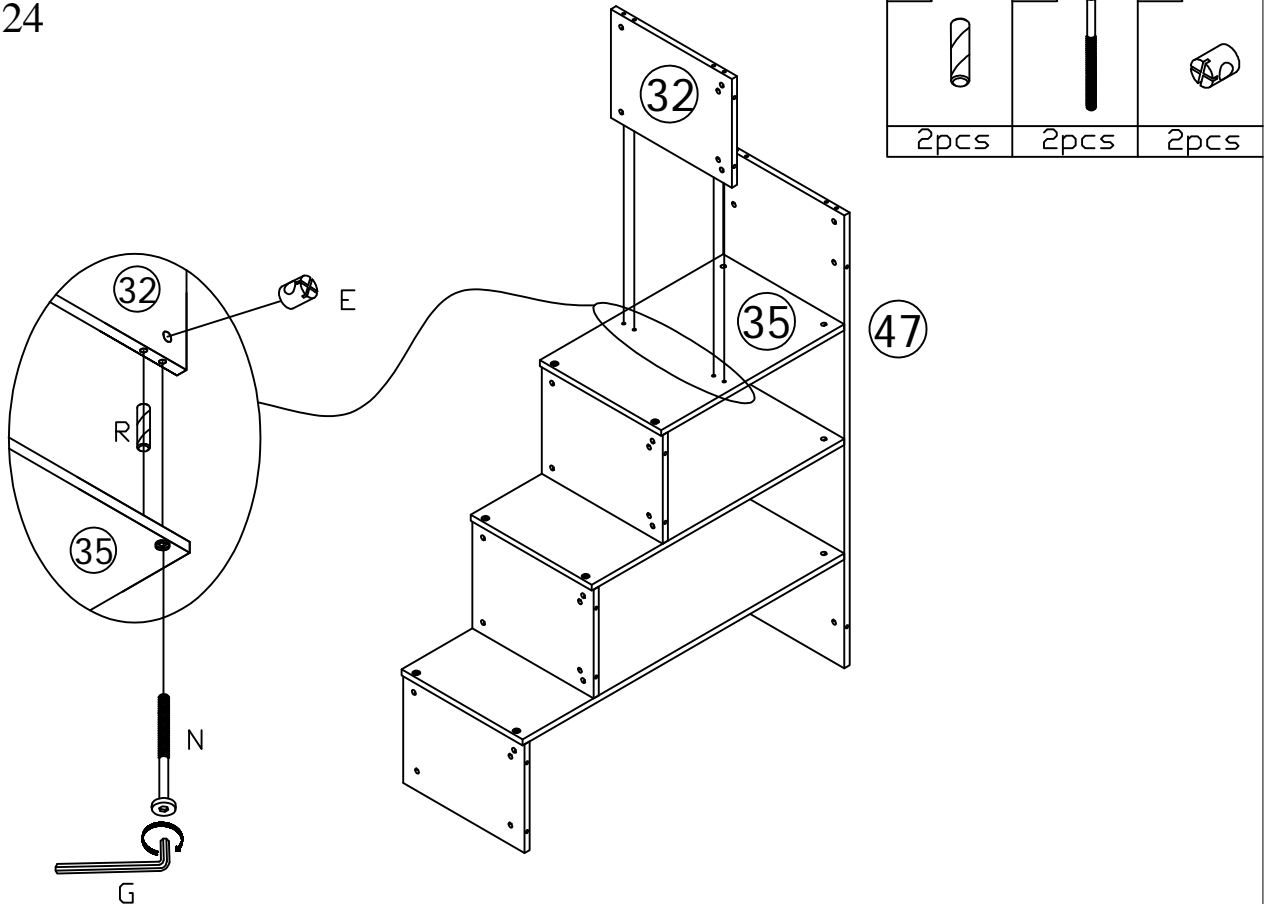
Step 22



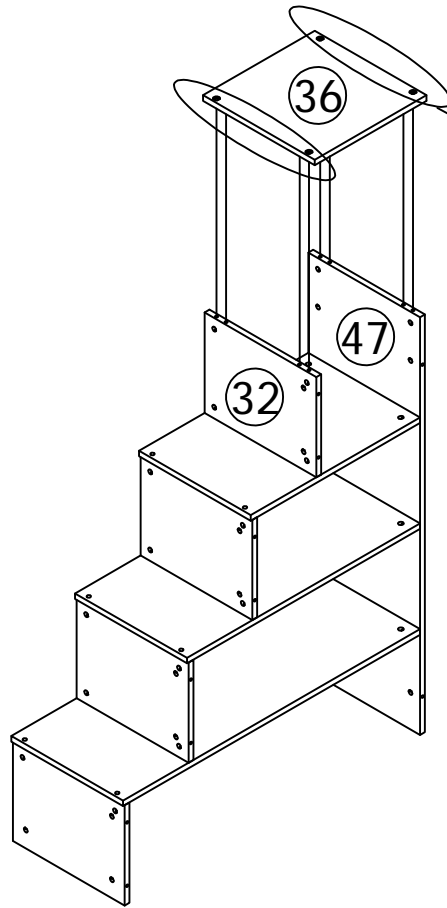
Step 23






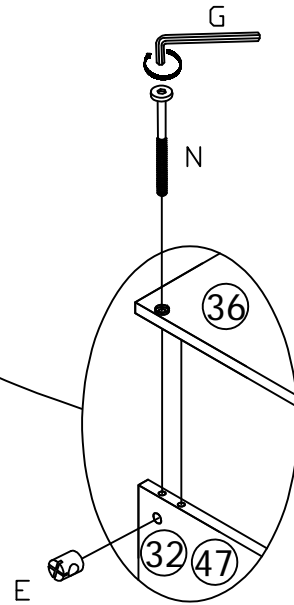
Step 24



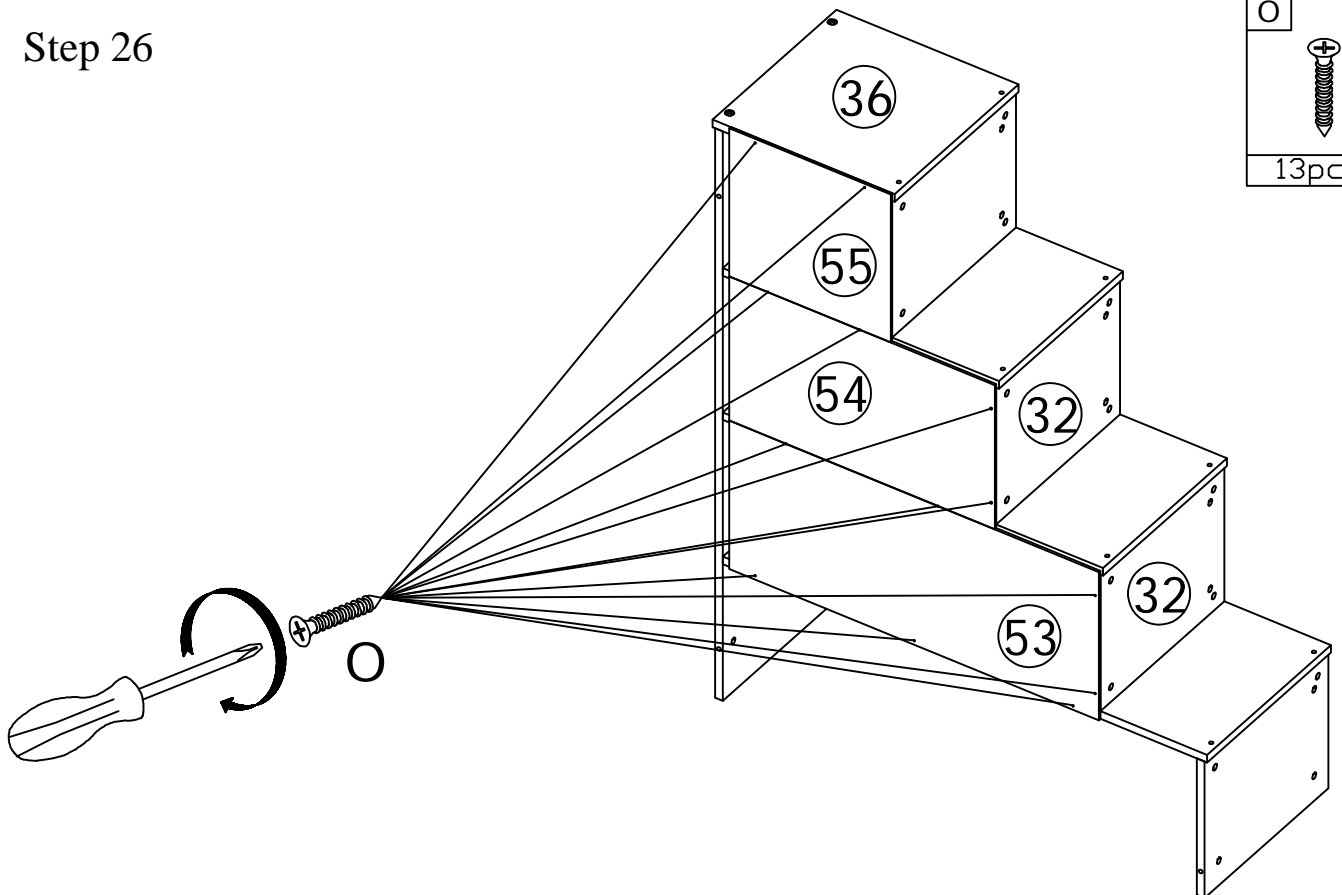
Step 25




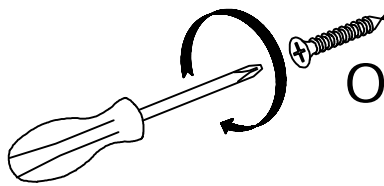
R	N	E
		
4pcs	4pcs	4pcs



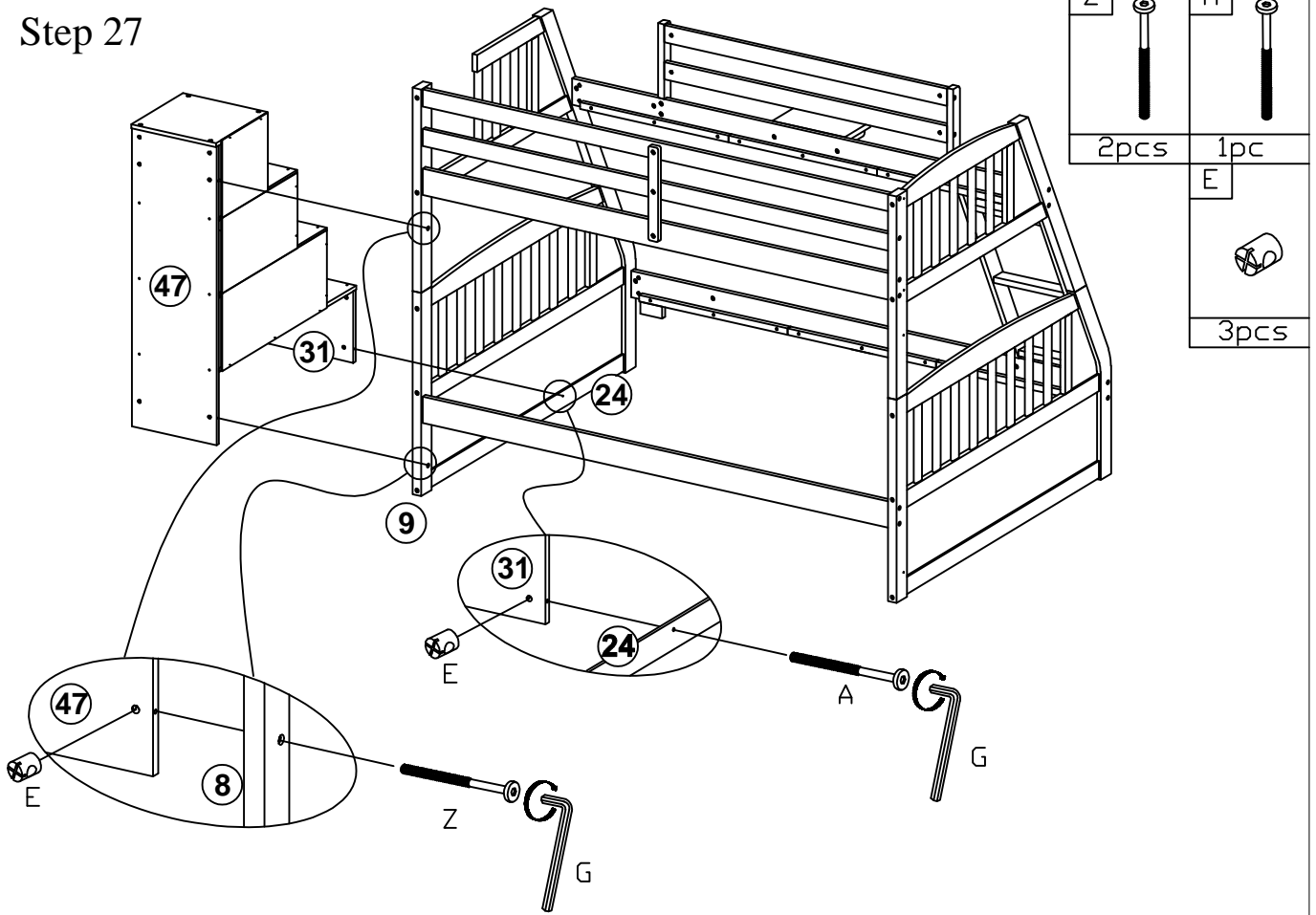
Step 26



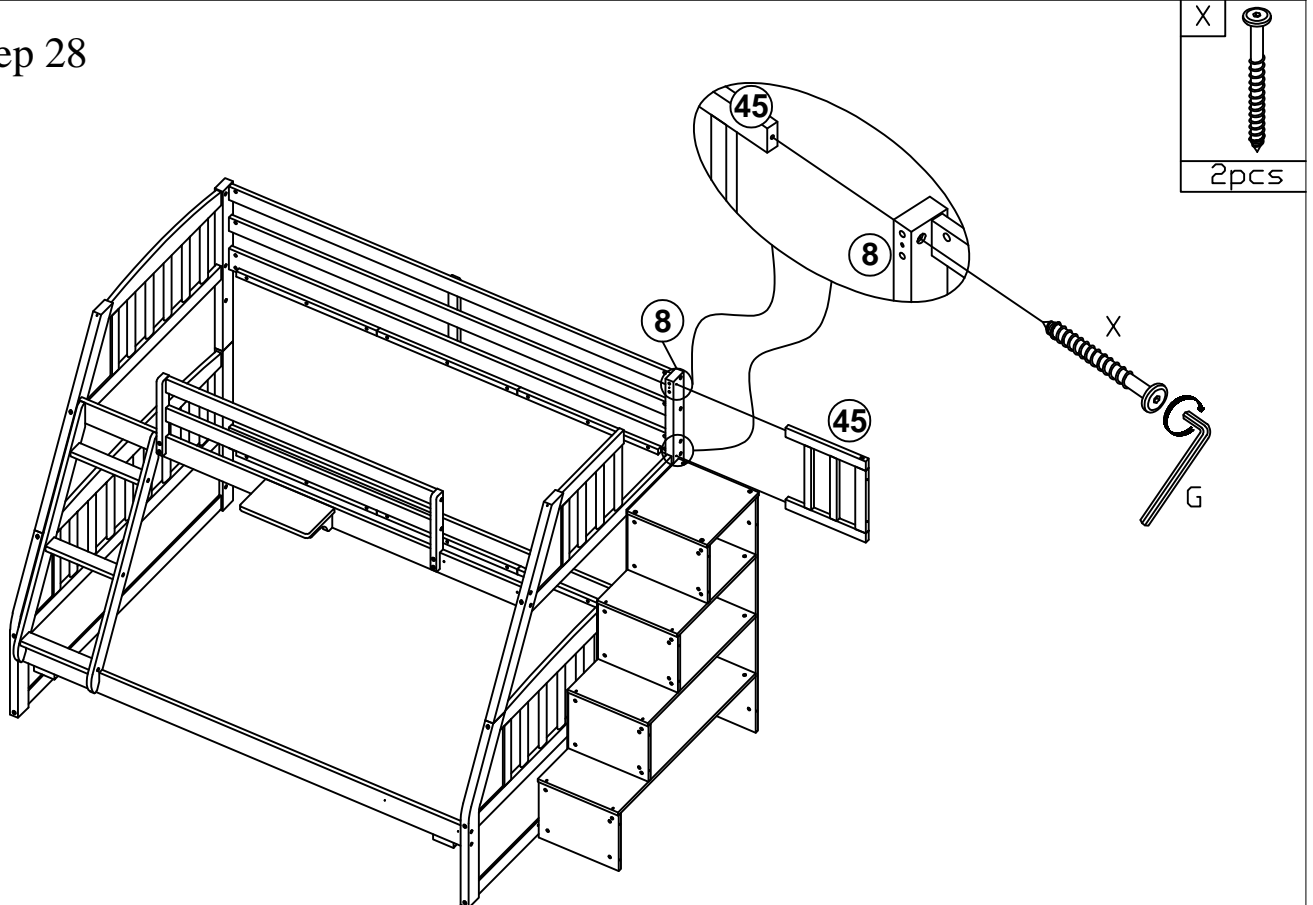
O

13pcs



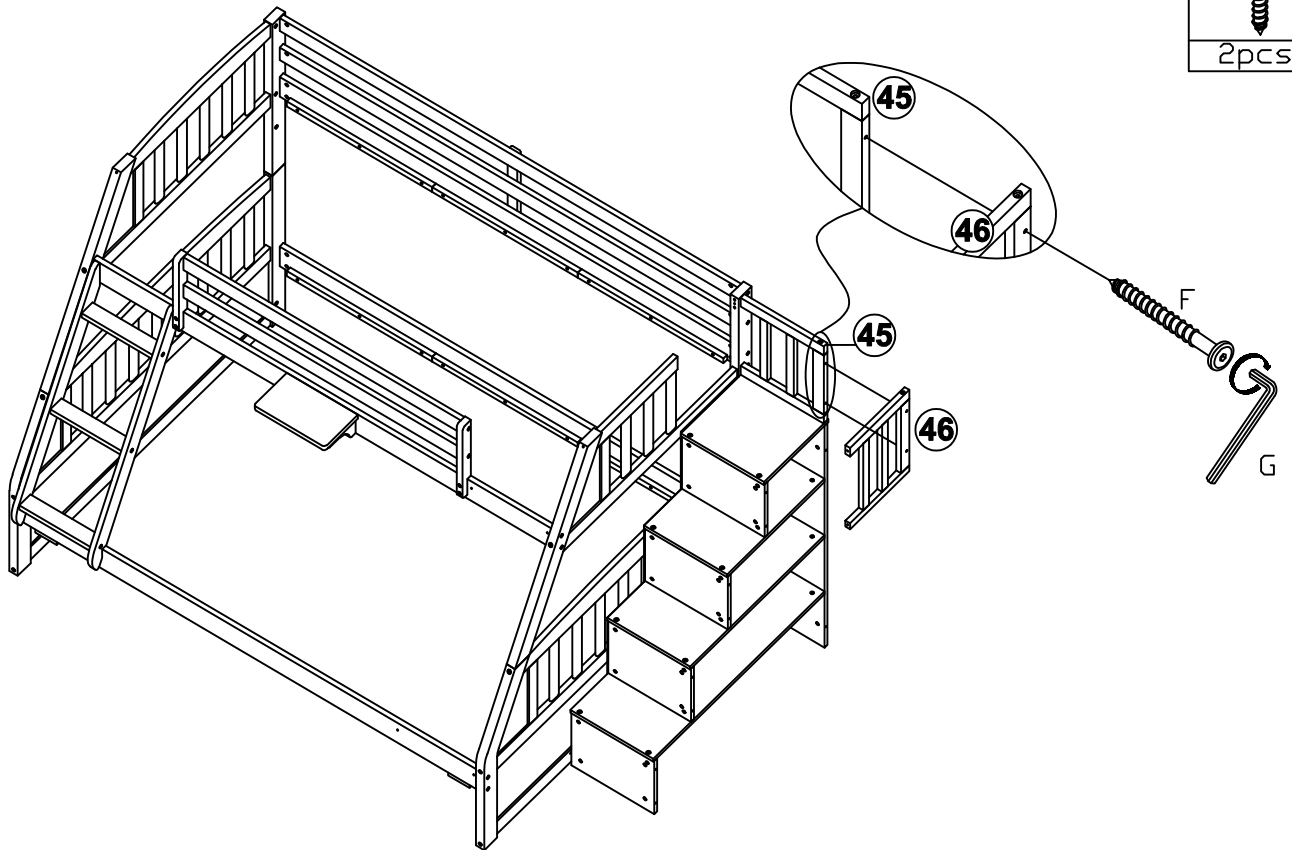
Step 27



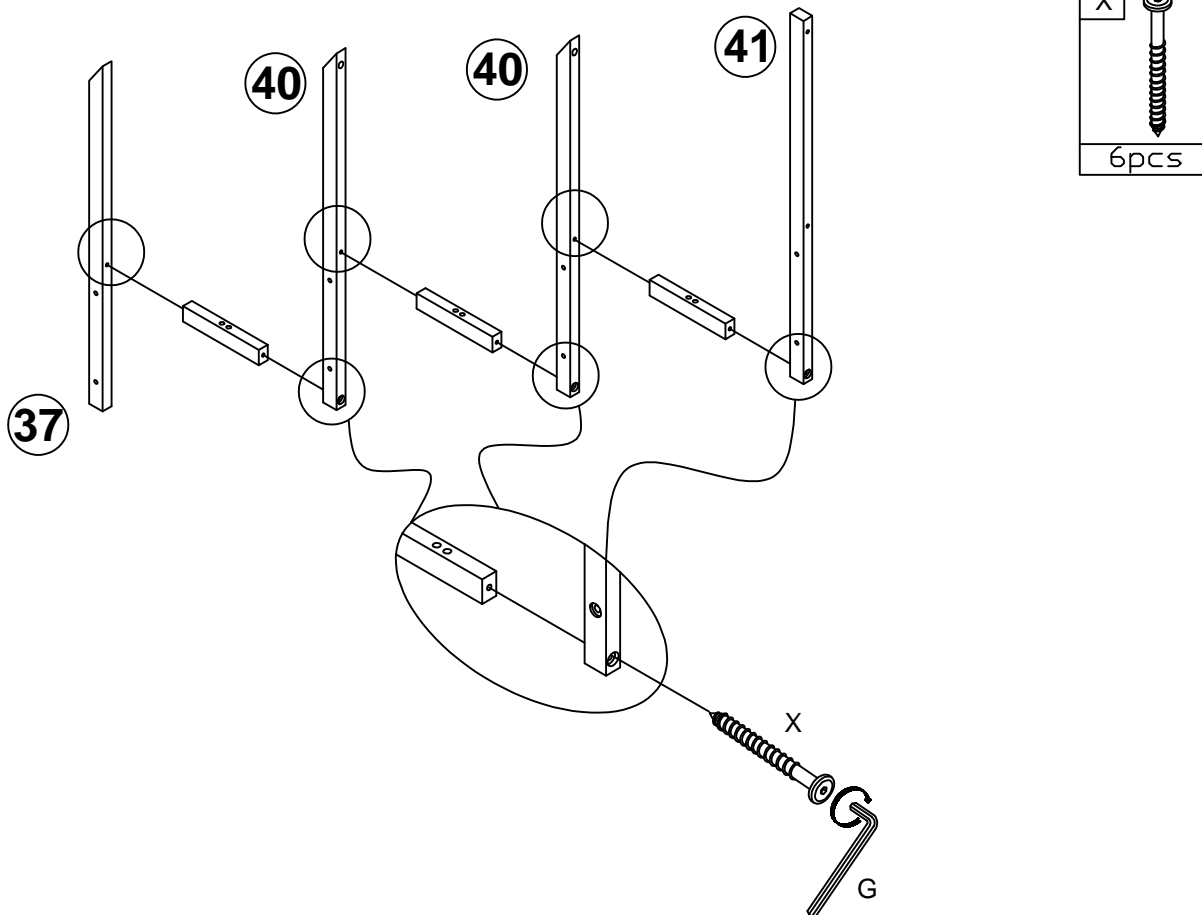
Step 28





Step 29

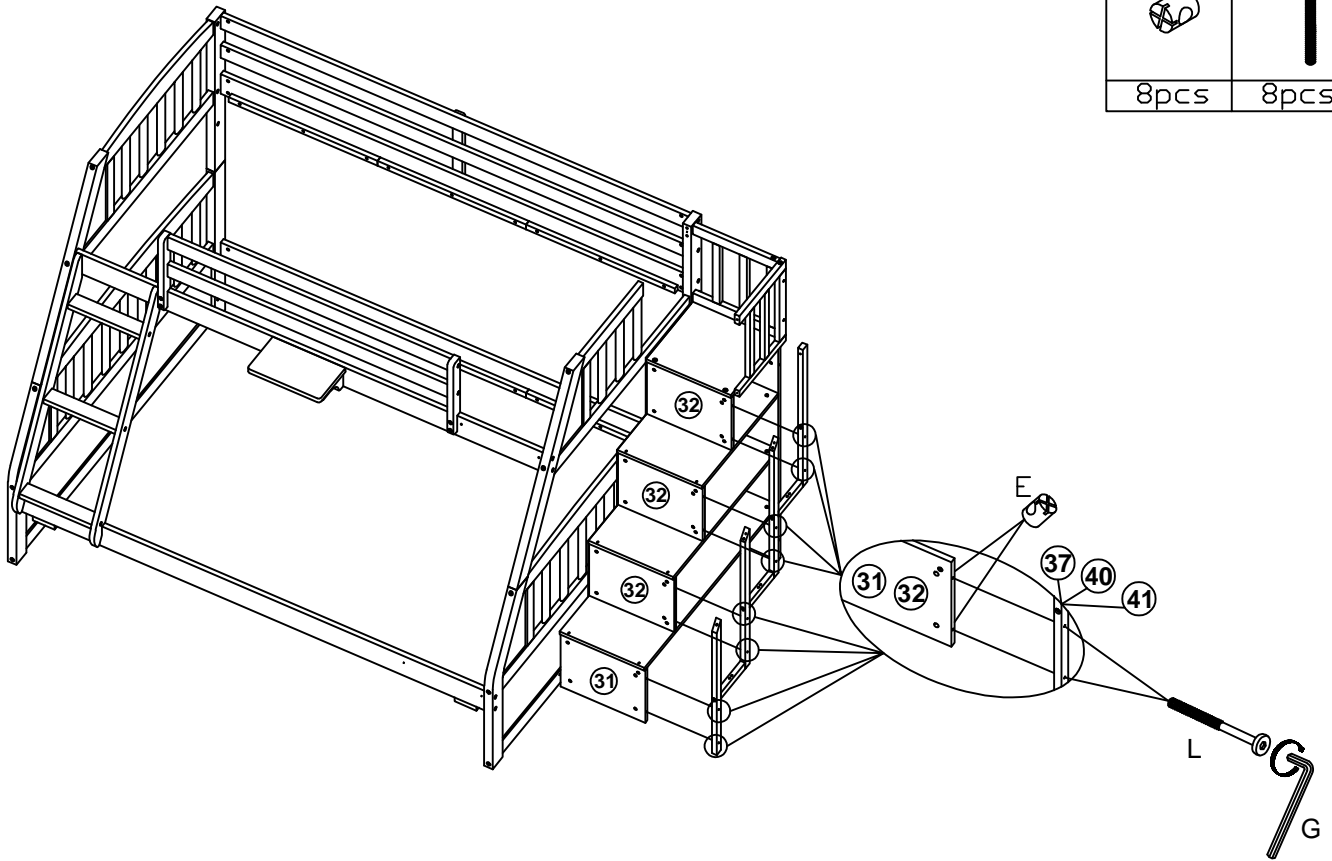


Step 30




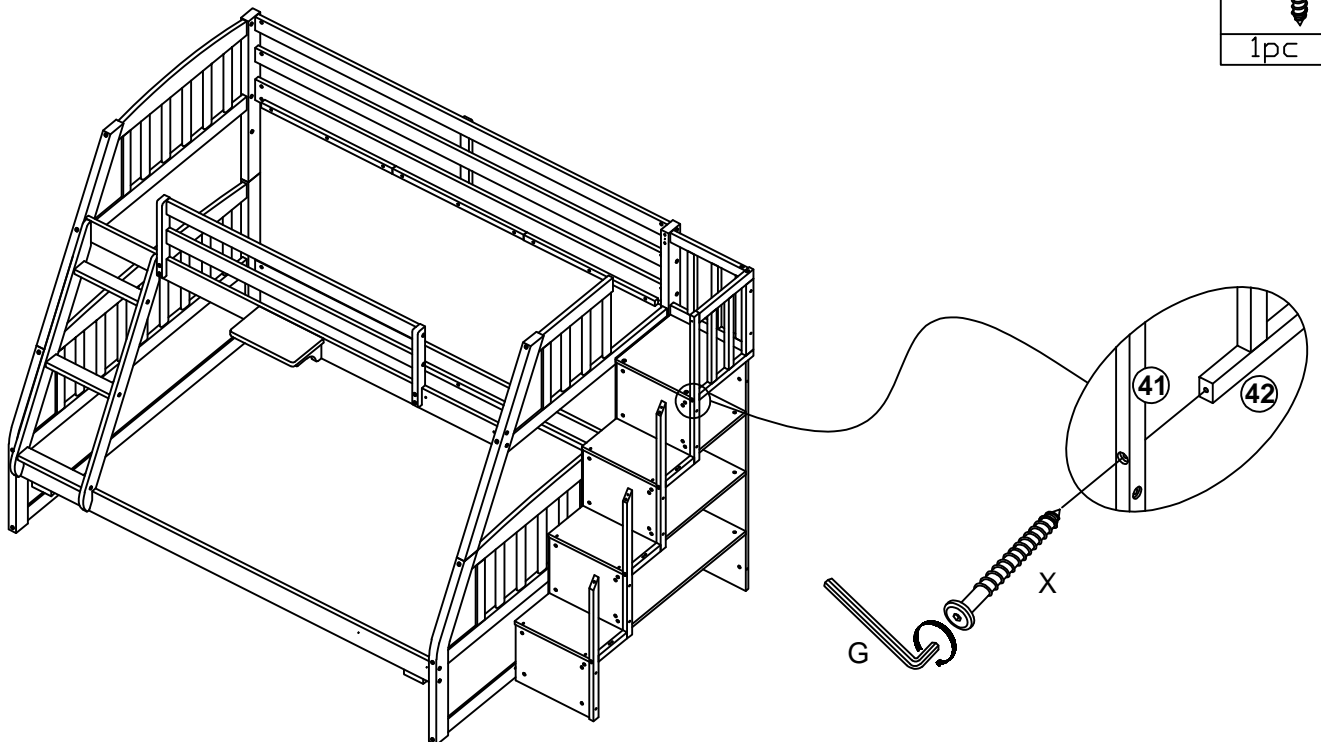
Step 31

E	L
	
8pcs	8pcs




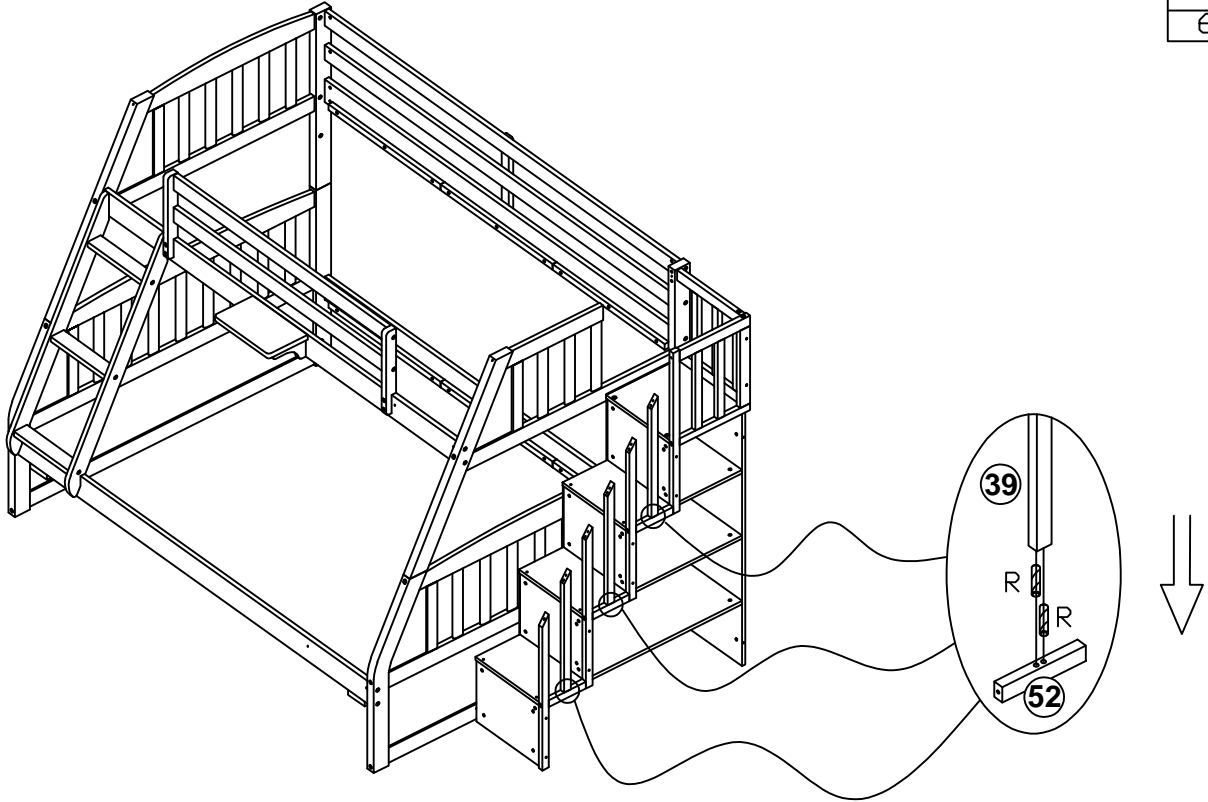
Step 32

X

1pc







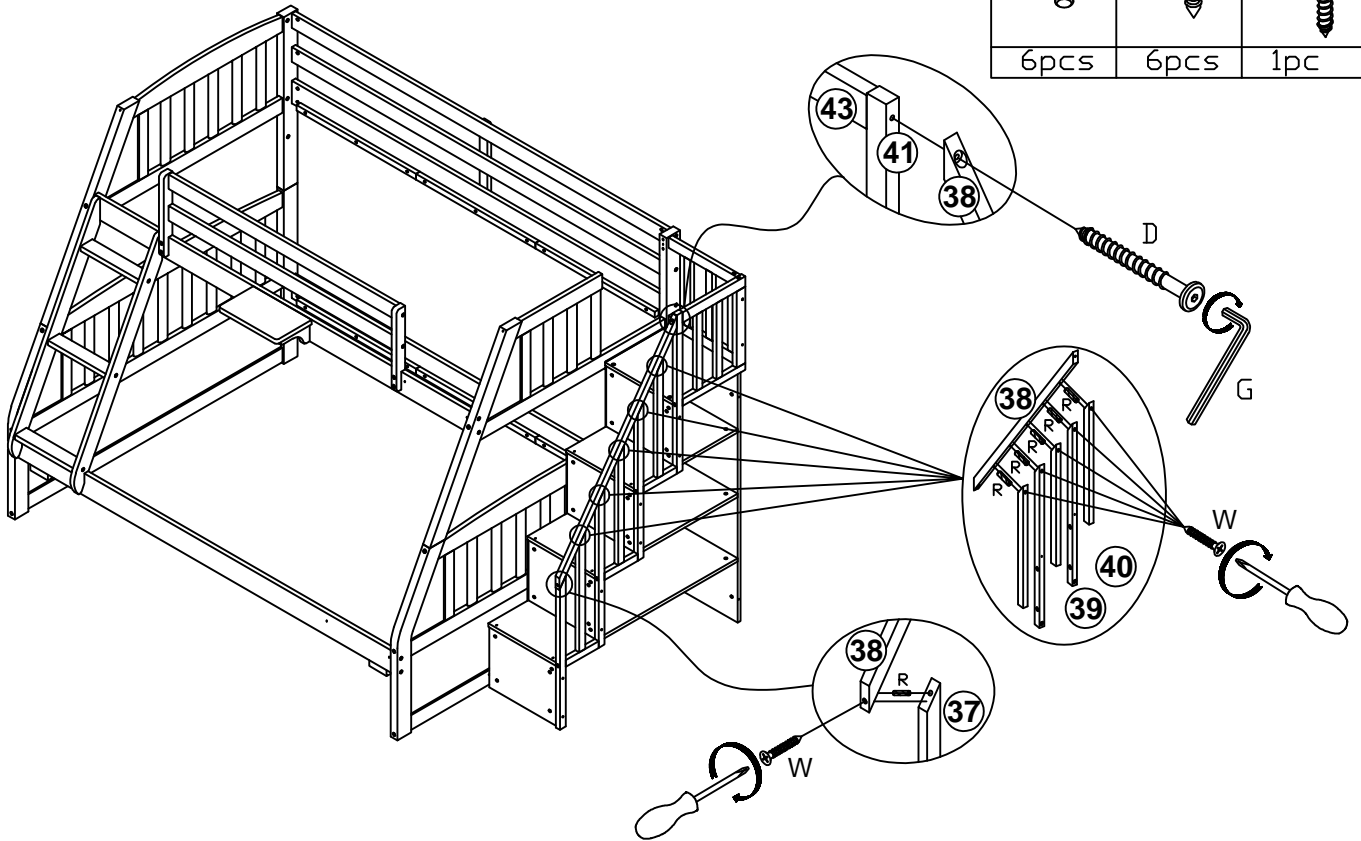
Step 33

R	
6pcs	





Step 34

R	W	D	
			
6pcs	6pcs	1pc	

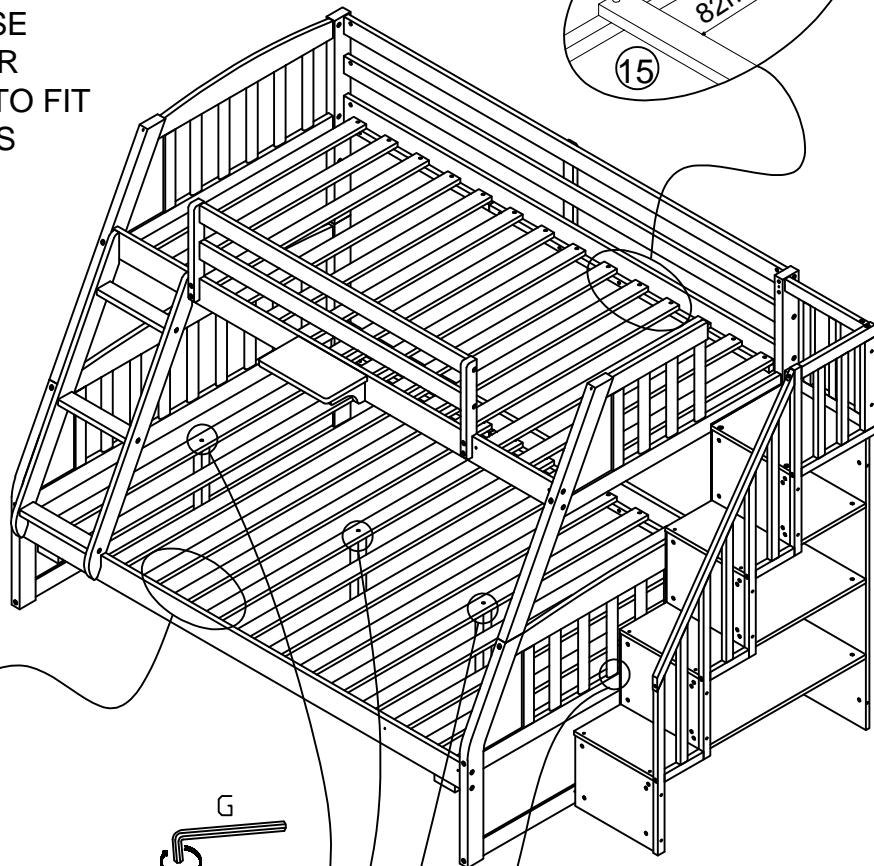
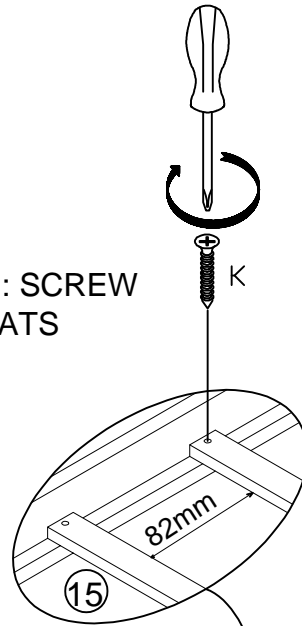
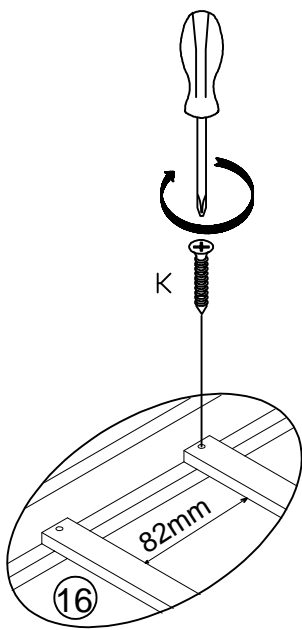


Step 35

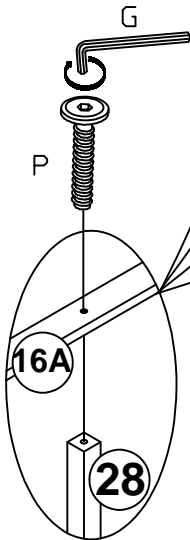
K	
	56pcs
P	
	4pcs

STEP 1: PULL SIDE RAIL CLOSE TOGETHER ENOUGH TO FIT THE SLATS



STEP 2: SCREW ALL SLATS

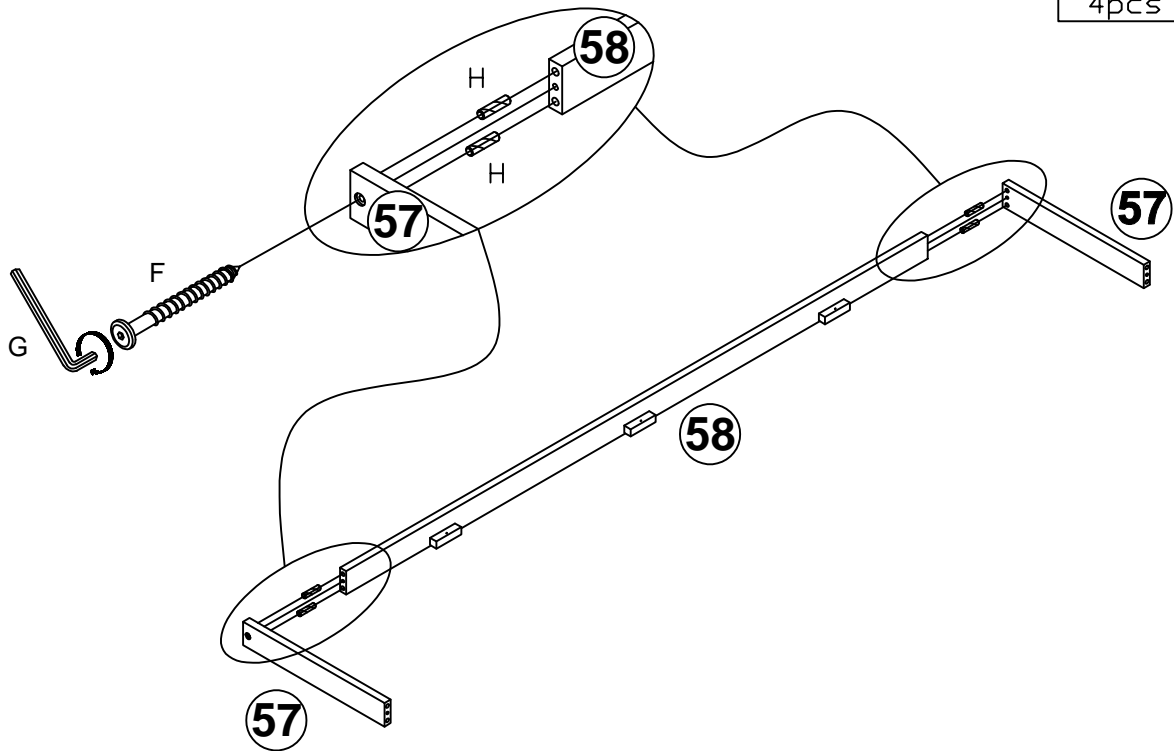


STEP 3: TIGHTEN 100% ALL HEXAGON BOLTS





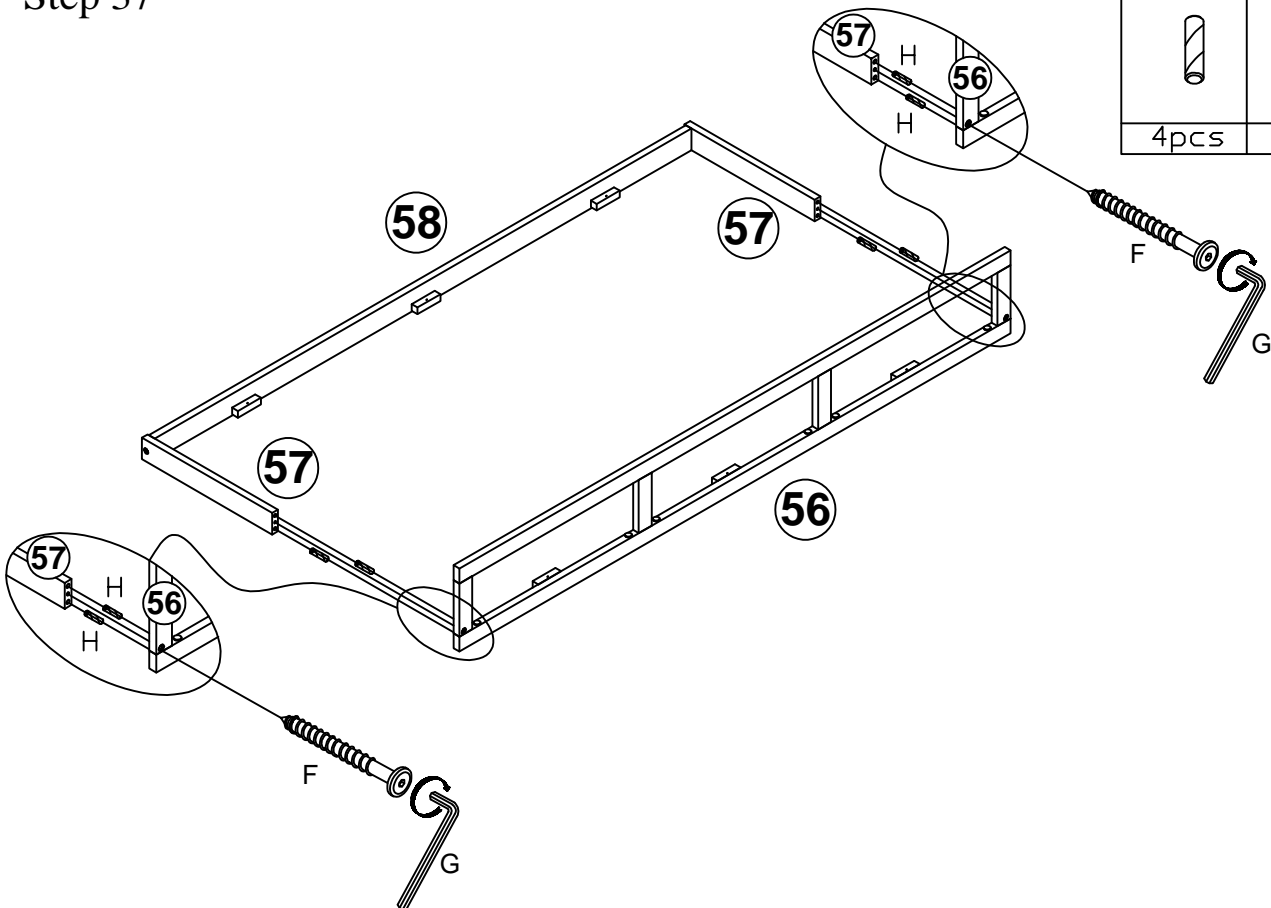
Step 36

H	F
	
4pcs	2pcs

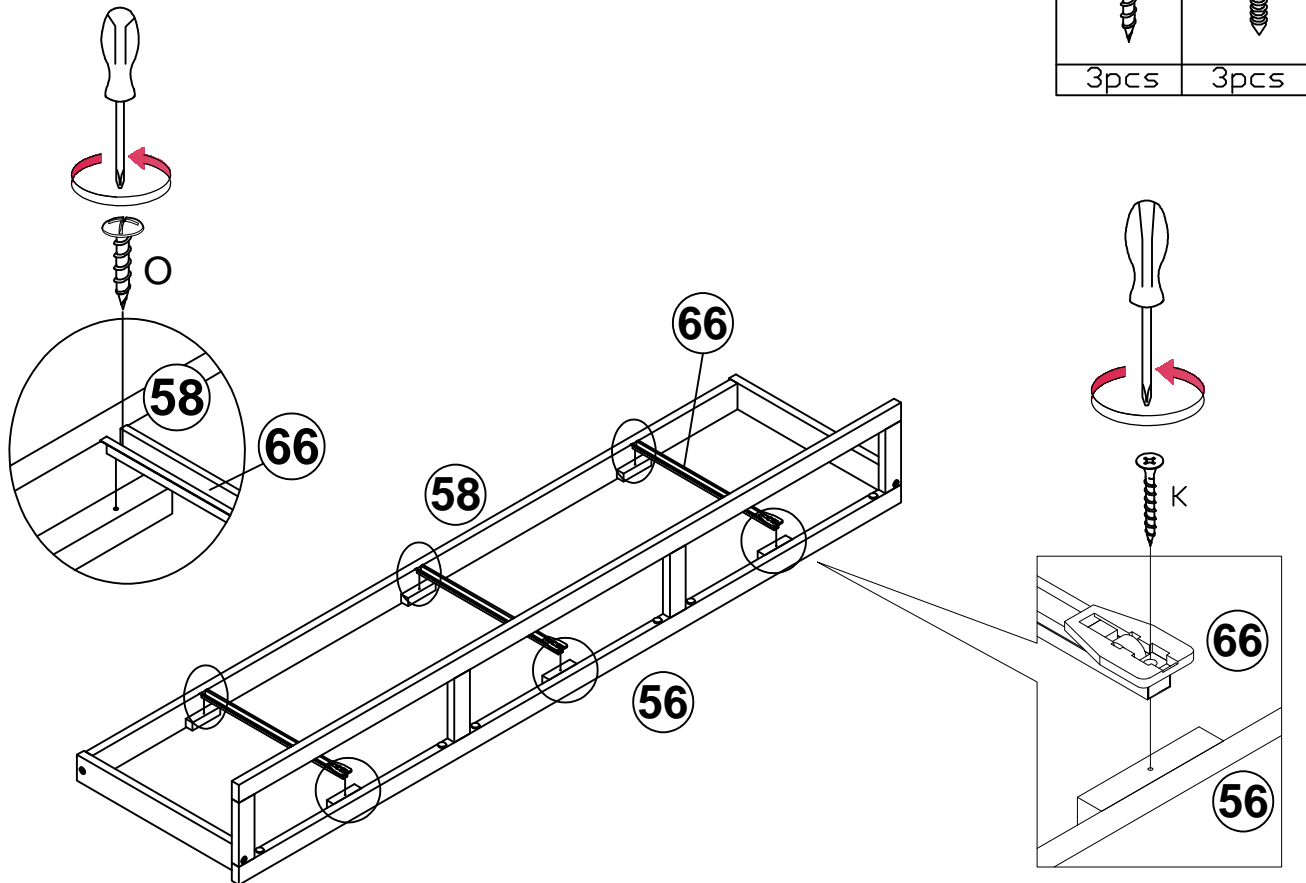


Step 37

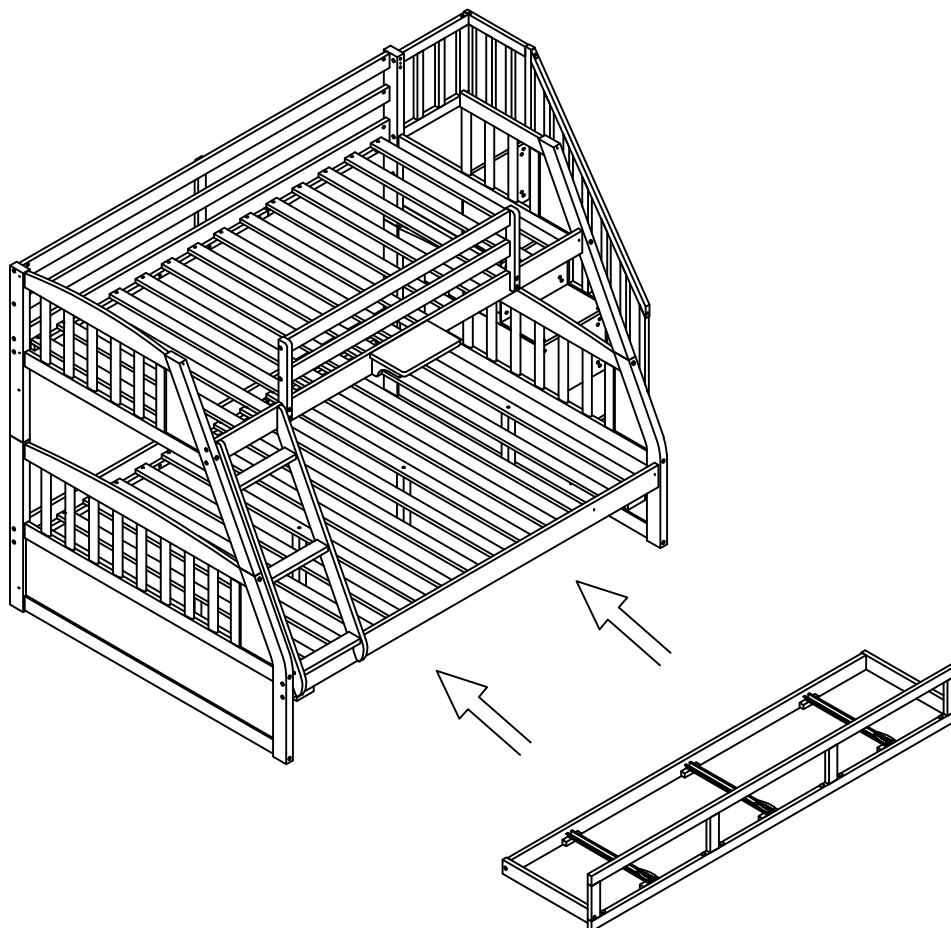
H	F
	
4pcs	2pcs



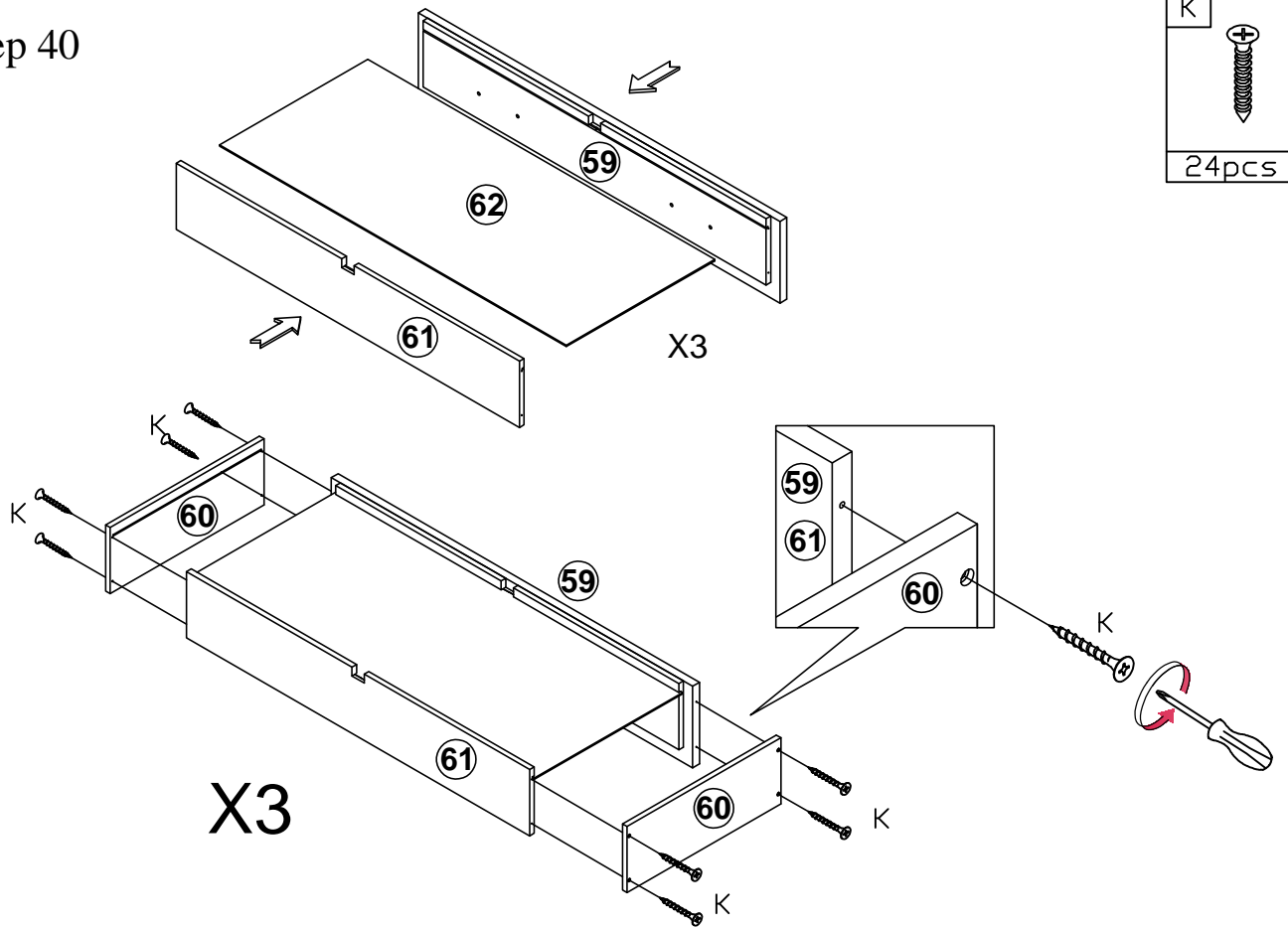
Step 38



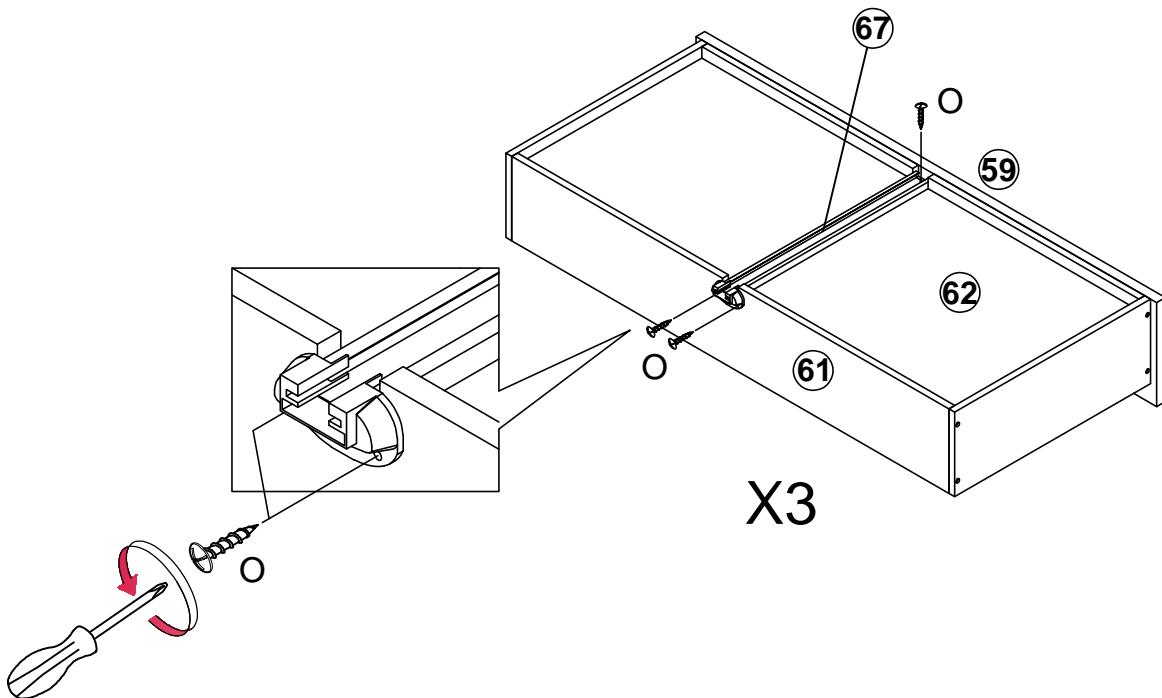
Step 39





Step 40

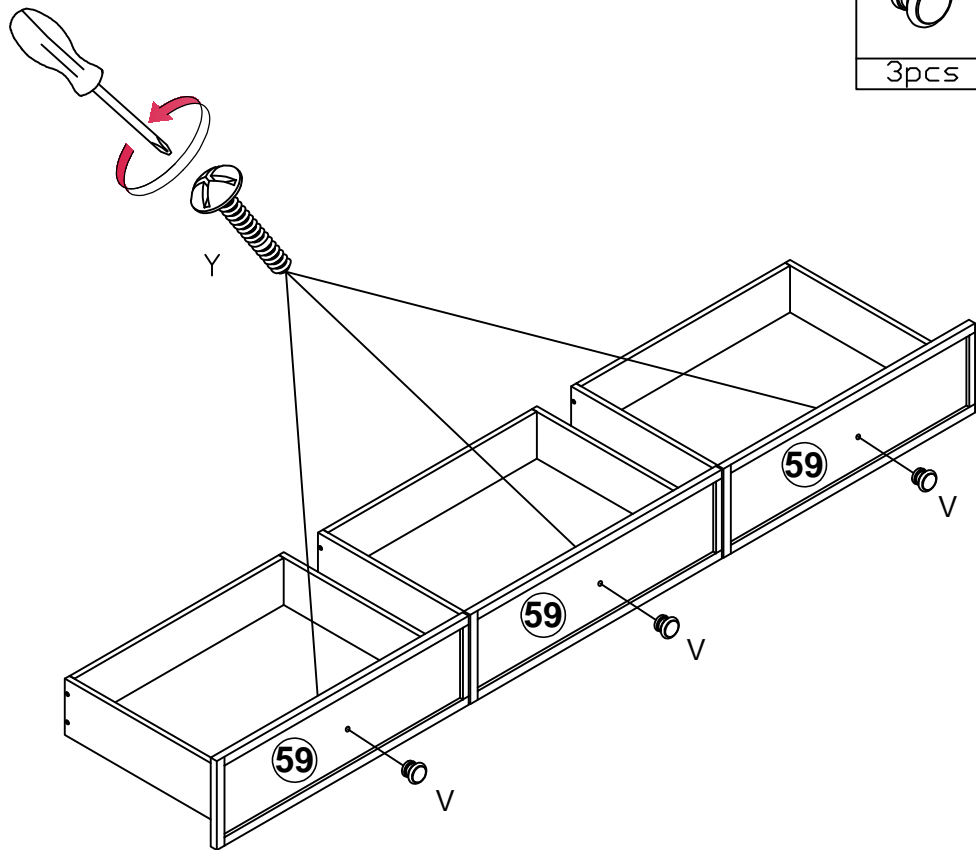


Step 41

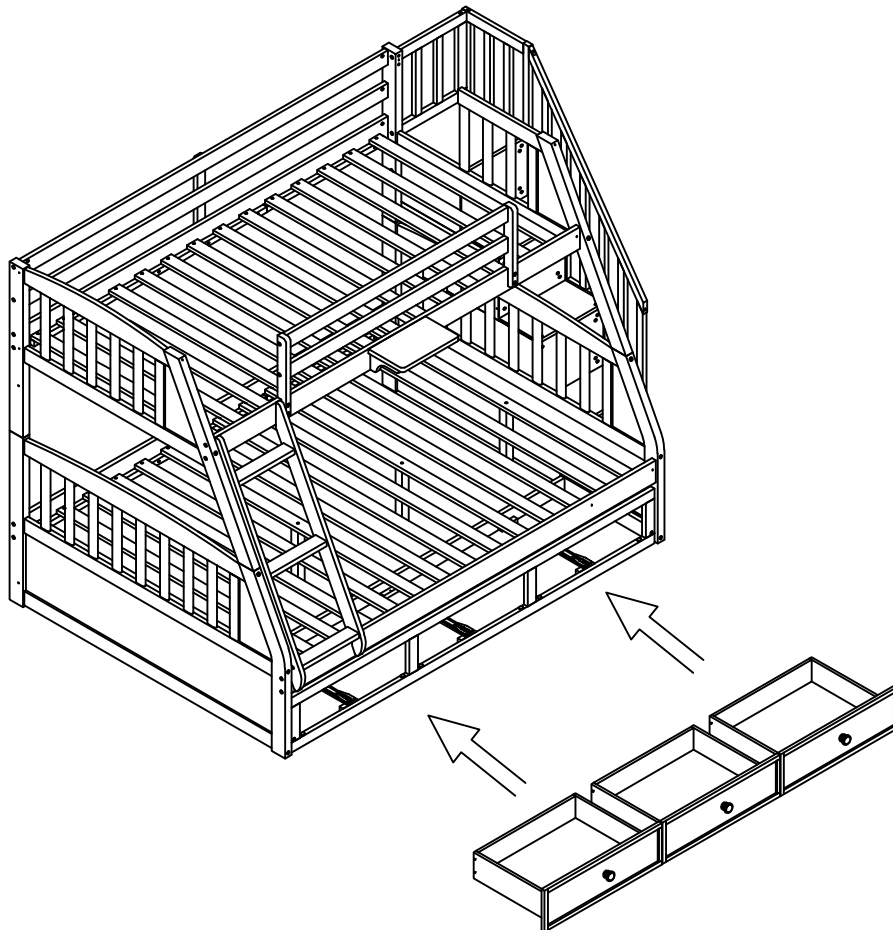


Step 42

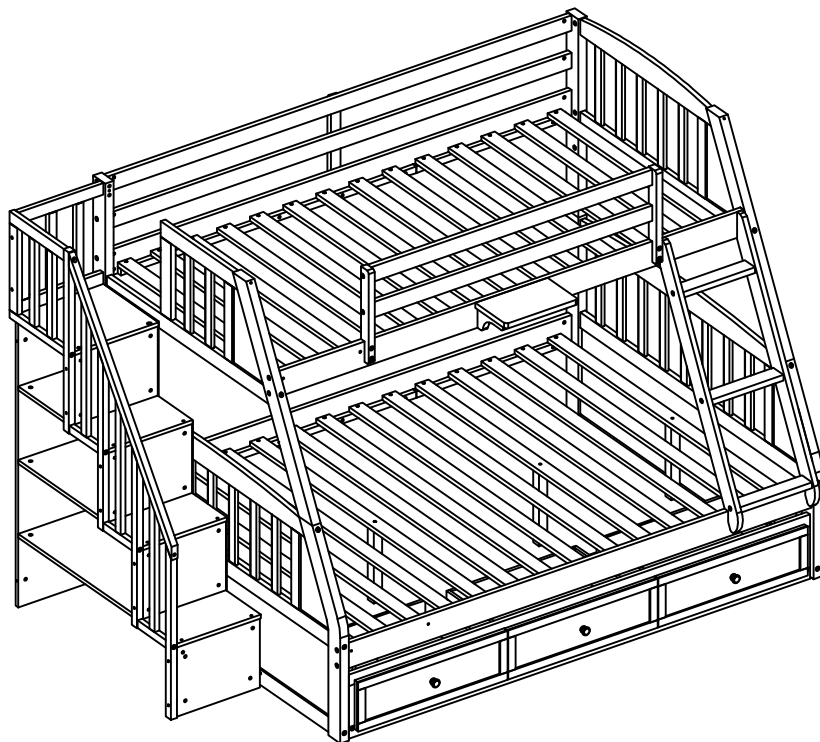
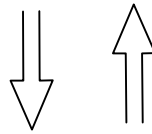
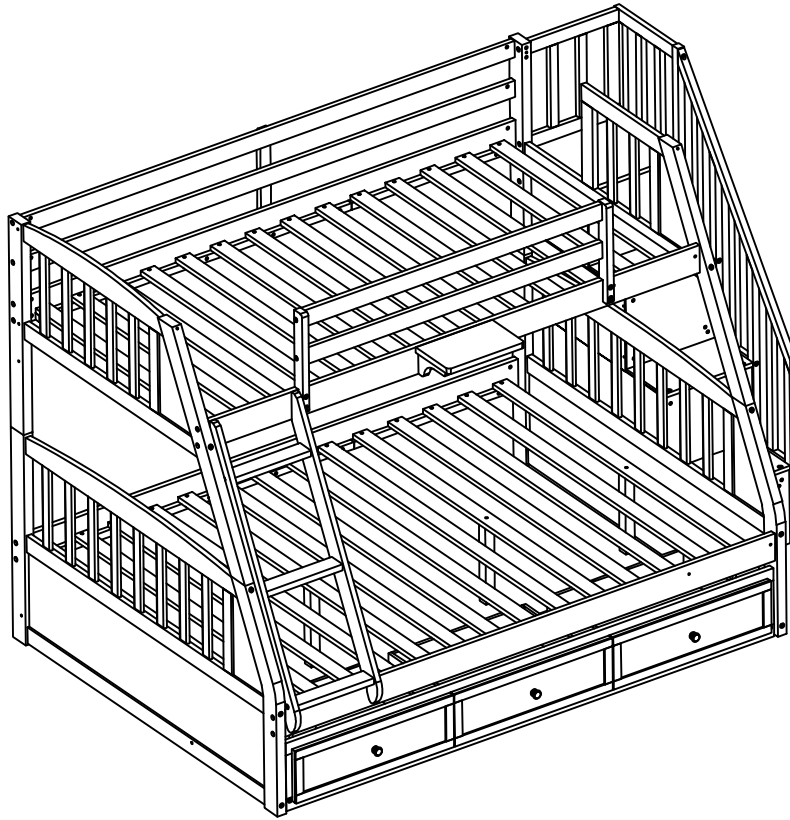
V	Y
	
3pcs	3pcs



Step 43



Step 44



Note: Stairs and steps can be moved left or right.

COMPLETED

