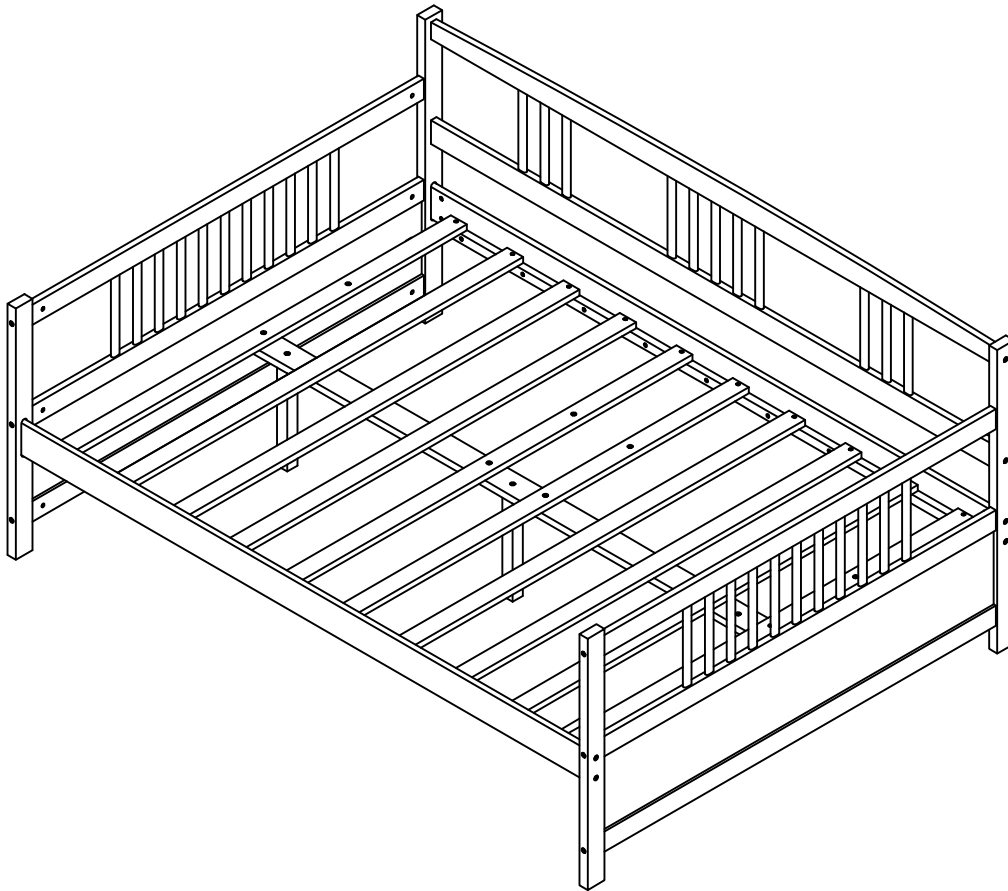


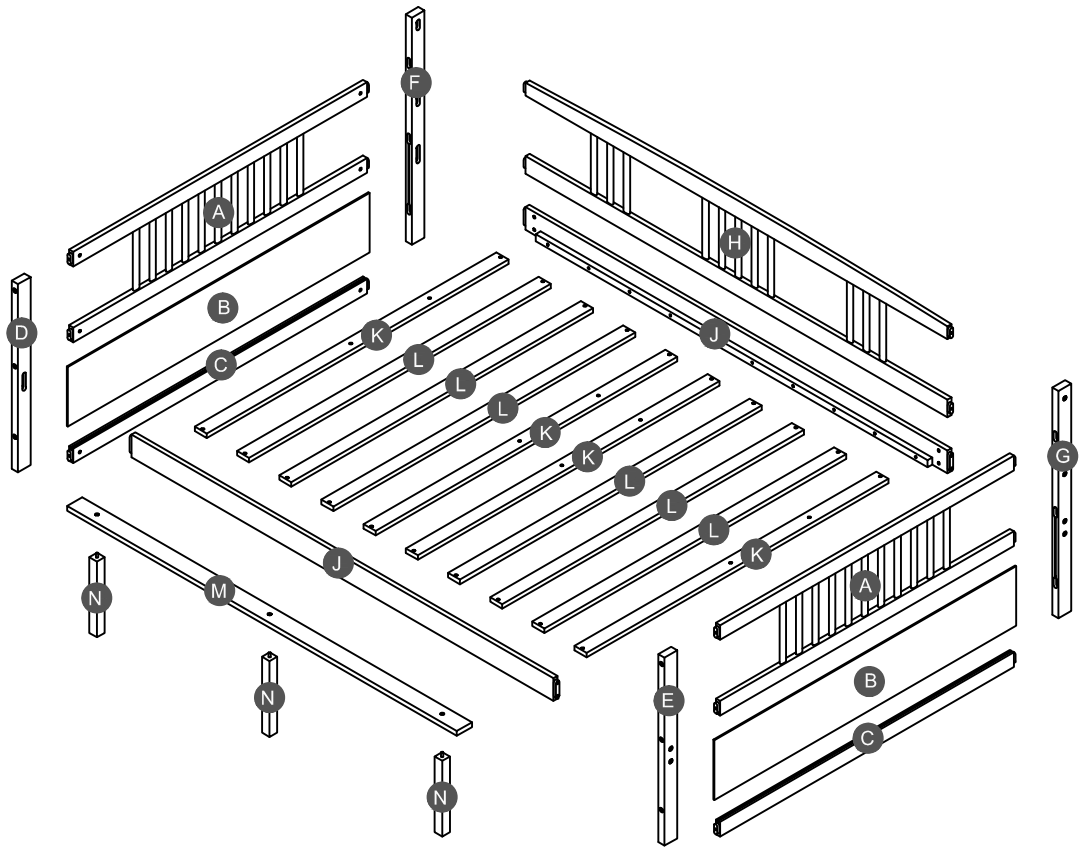
ASSEMBLY INSTRUCTIONS

FULL DAYBED



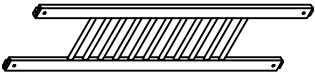
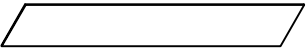
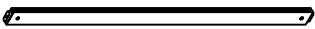
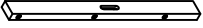
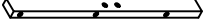
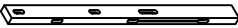
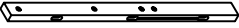
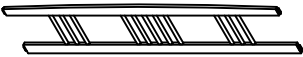


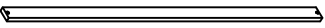

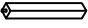
WF295130

Detail View

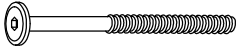
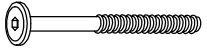

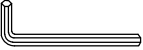
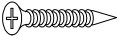


Part List

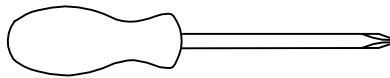
WF295130

<p>A</p>  <p>Frame HB/FB - 2pcs</p>	<p>B</p>  <p>Side panel - 2pcs</p>	<p>C</p>  <p>Horizontal bar - 2pcs</p>
<p>D</p>  <p>Leg (Left Front) - 1pc</p>	<p>E</p>  <p>Leg (Right Front) - 1pc</p>	<p>F</p>  <p>Leg (Left Back) - 1pc</p>
<p>G</p>  <p>Leg (Right Back) - 1pc</p>	<p>H</p>  <p>Long guard rail - 1pc</p>	<p>J</p>  <p>Side rail - 2pcs</p>
<p>K</p>  <p>Slats - 4pcs</p>	<p>L</p>  <p>Slats - 6pcs</p>	<p>M</p>  <p>Lower support slat - 1pc</p>
<p>N</p>  <p>Leg support - 3pcs</p>		

Hardware List

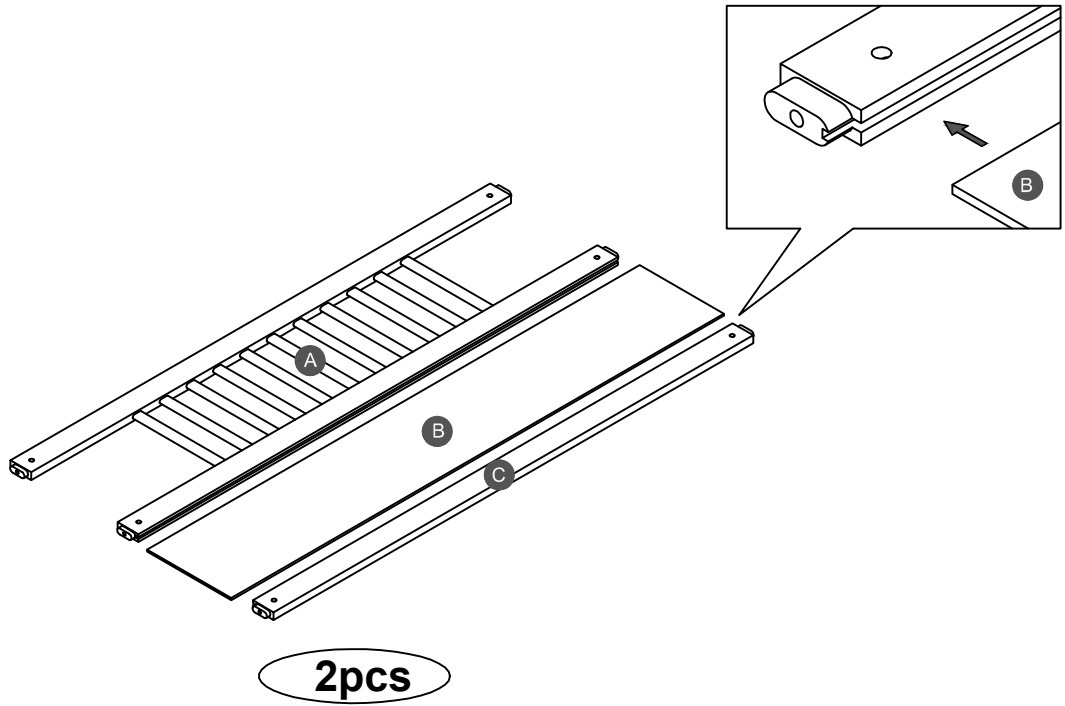
1  (Ø15)1/4"*100mm	2  (Ø15)1/4"*80mm	3  1/4"*15 (9.5mm)
Hex-Head bolts (12pcs)	Hex-Head bolts (12pcs)	Horizontal-Hole bolts(24pcs)
4  (1/4")4.5*58mm	5  Ø4*30mm	
Allen key (1pc)	Wood screws (24pcs)	

ASSEMBLY TOOLS REQUIRED (NOT INCLUDED)





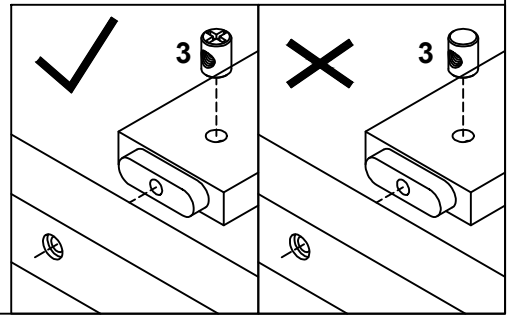
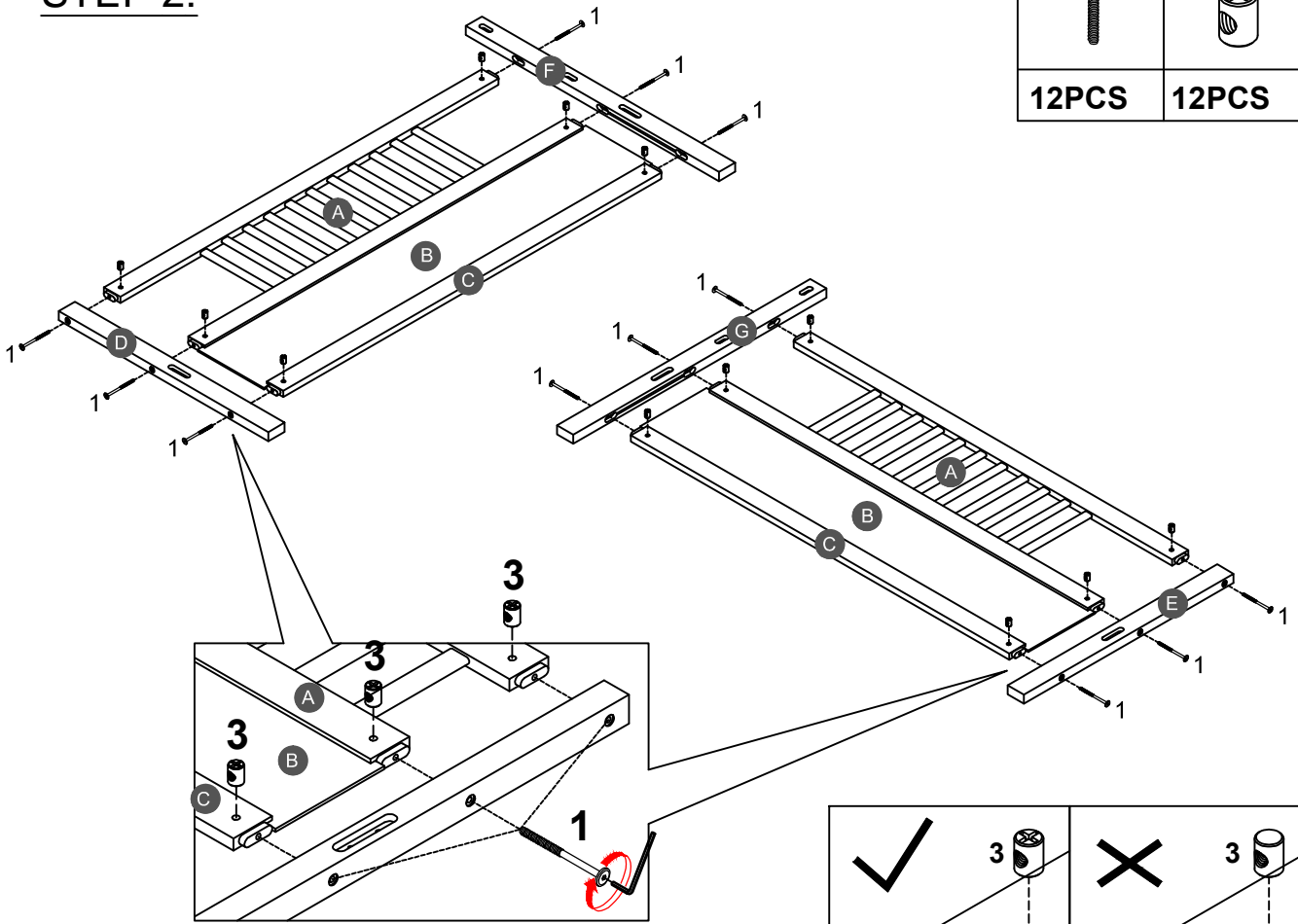
PLEASE BE CAREFUL DO NOT DAMAGE THE HOLE POSITION WHEN YOU USE POWER TOOLS !

STEP 1:





STEP 2:

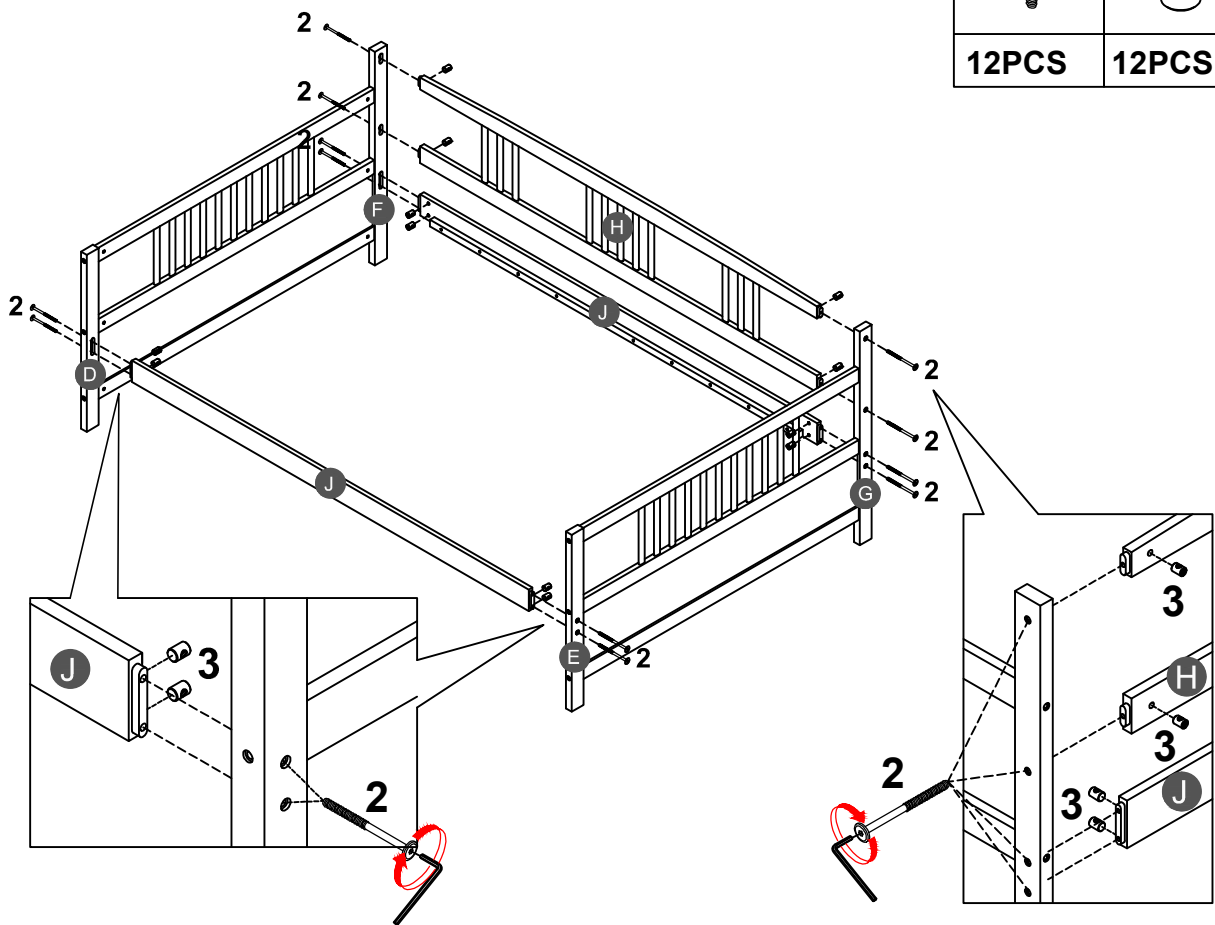
1		3	
12PCS		12PCS	



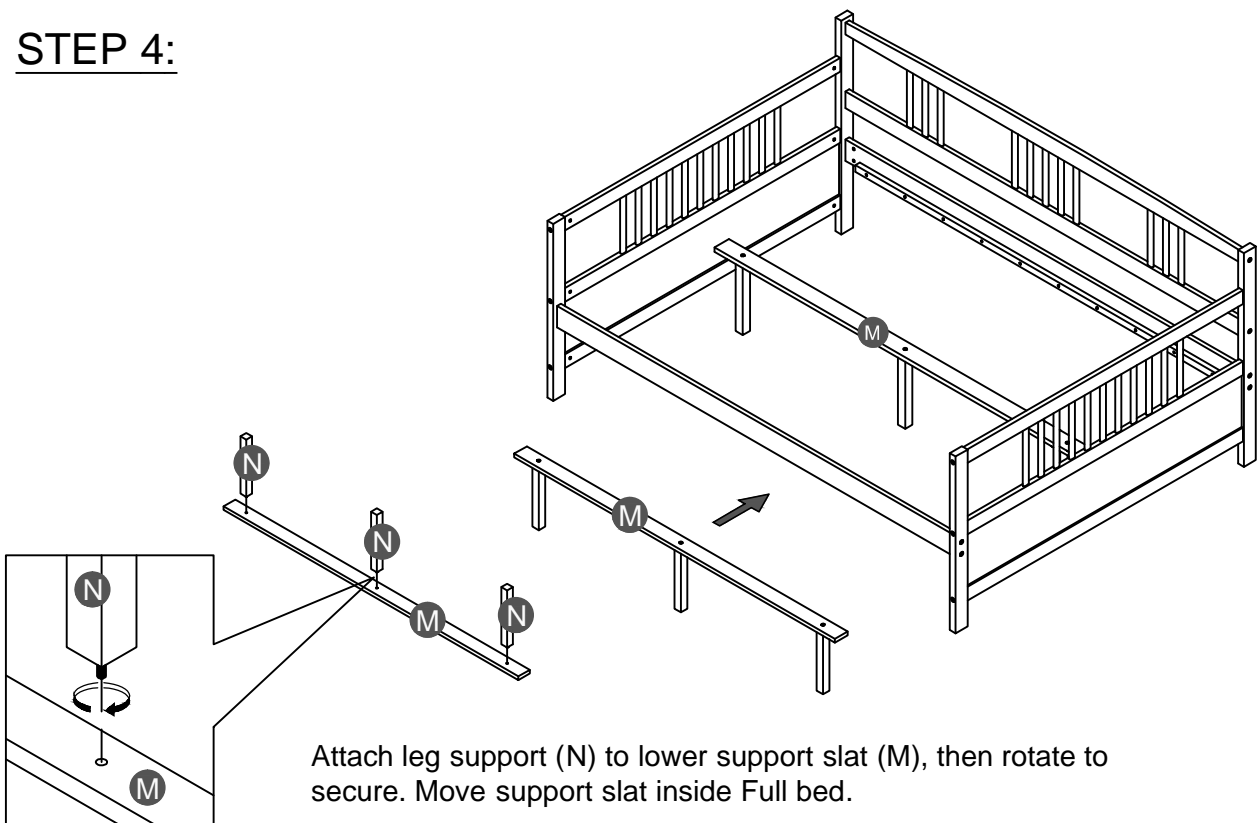
Note: Part 3 will face up with the "x" mark on it, otherwise it cannot be tightened

STEP 3:

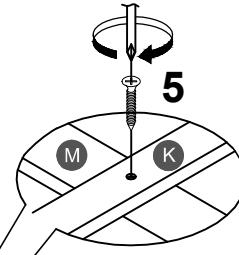
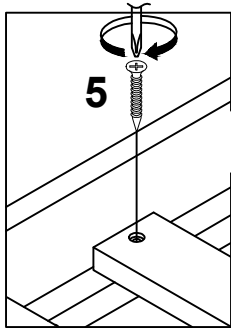
2		3	
12PCS		12PCS	



STEP 4:



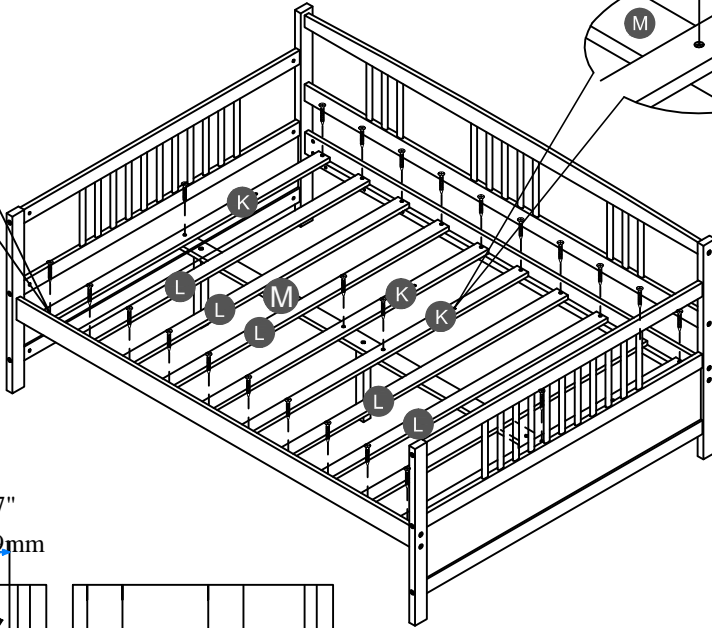
STEP 5:



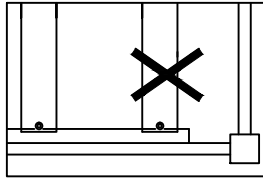
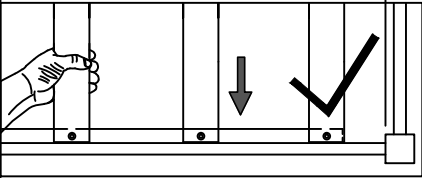
5



24PCS



5.4" 5.4" 2.7"
138mm 138mm 69mm



Note: Do not lock the screws of the bed slats to the outermost edge of the bed slats, you need to leave a certain space at the edges, otherwise it will cause the board to break. Do not lock the bed slats on the edge of the wood, please hold firmly before screwing, hold it in place with one hand, then lock the screw.

