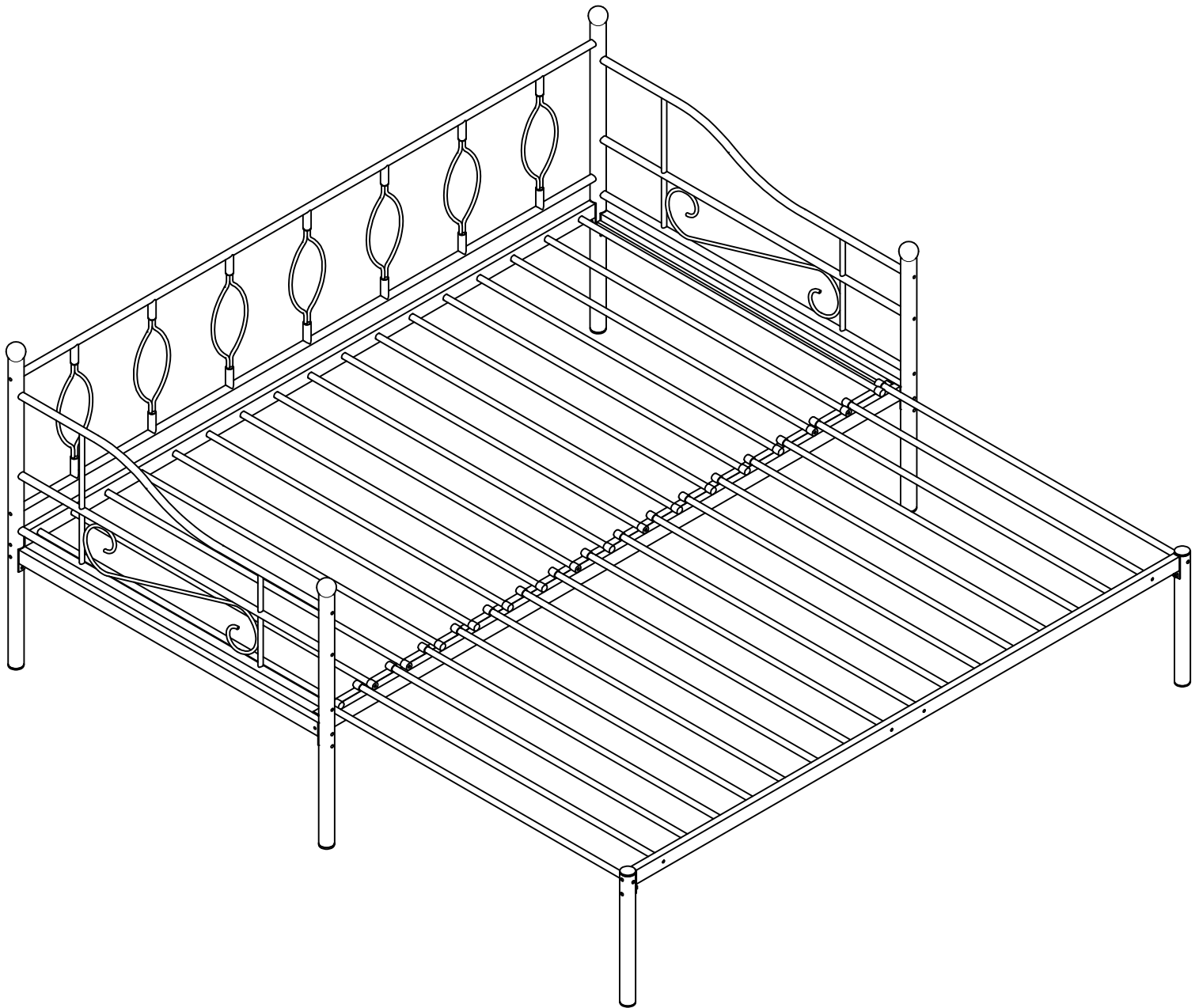
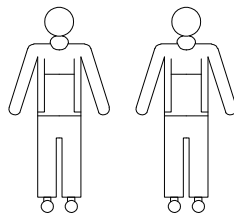


ASSEMBLY INSTRUCTION



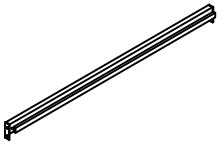
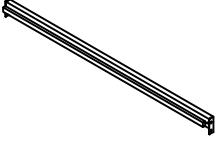
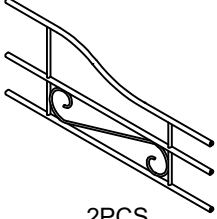
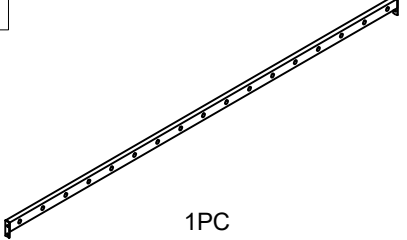
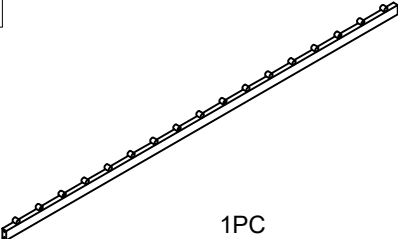
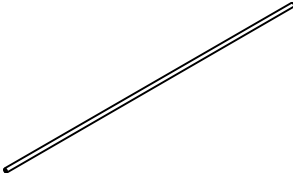
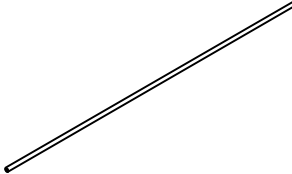
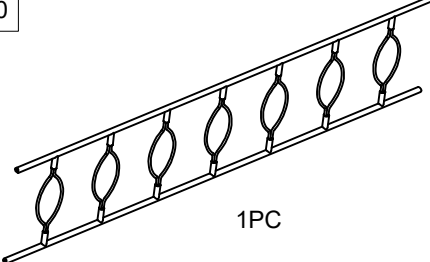

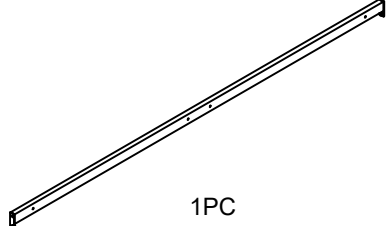
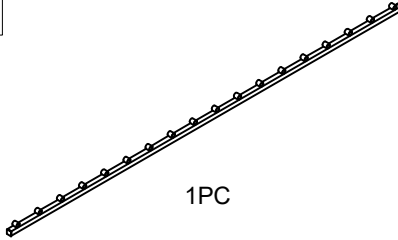
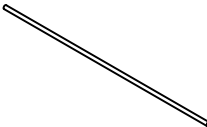
MF296396AAB/AAK/AAH





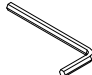
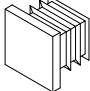

Minimum no. 2 of people
recommended to assemble
this product: Approx.
assembly time: 60 mins

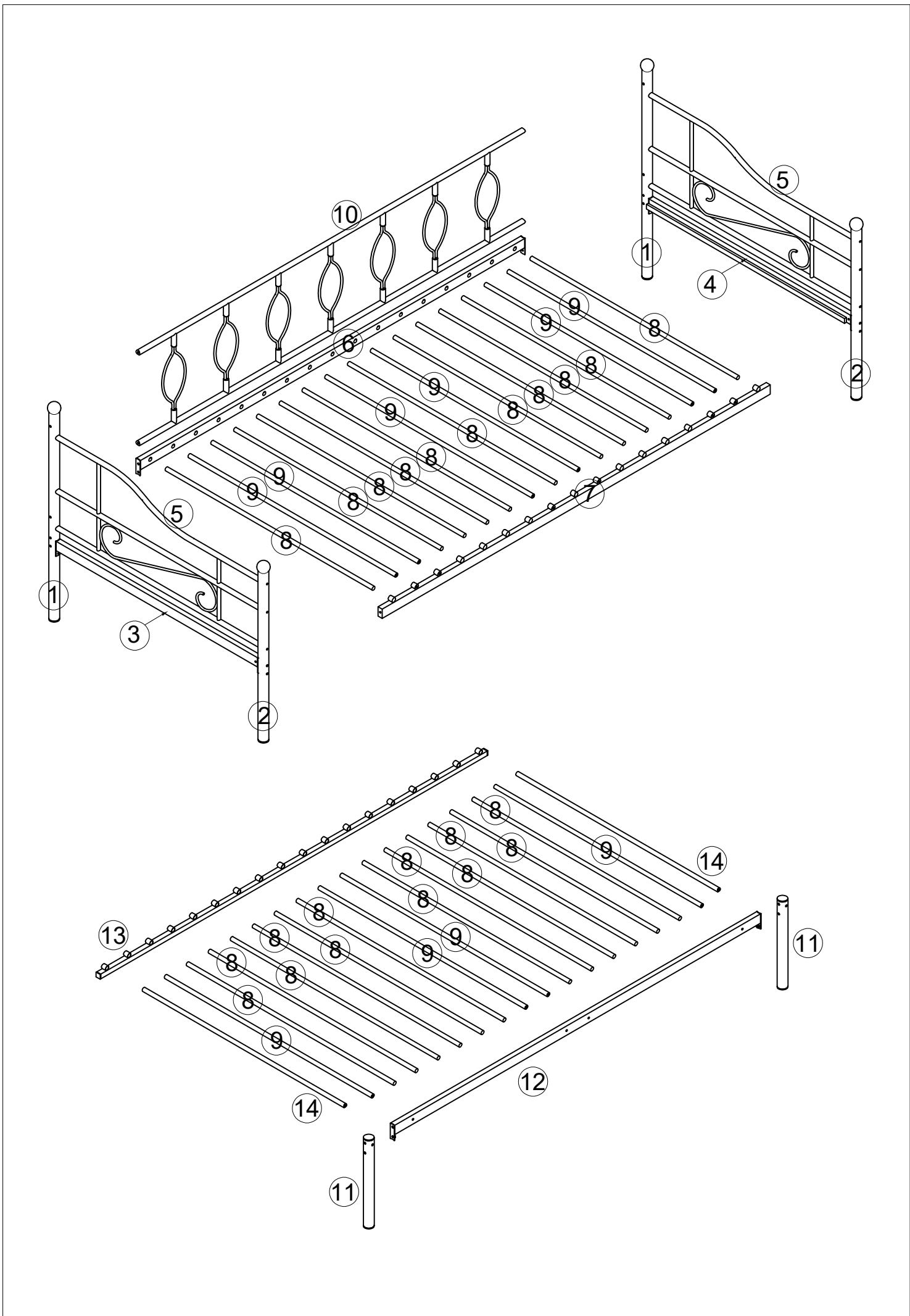


PART LIST

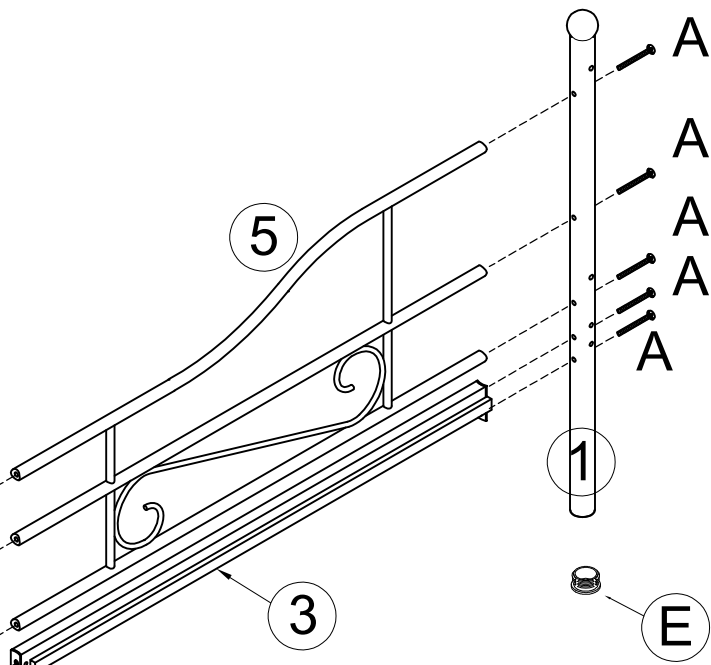
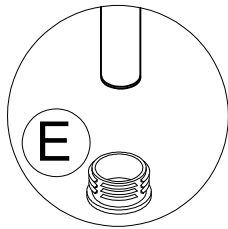
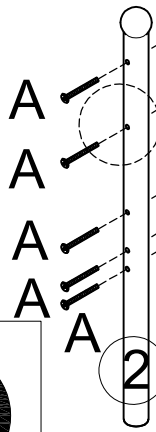
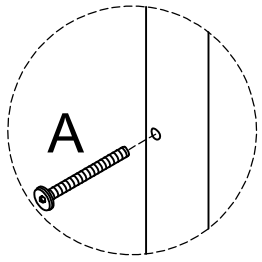
<p>1</p>  <p>2PCS</p>	<p>2</p>  <p>2PCS</p>	<p>3</p>  <p>1PC</p>
<p>4</p>  <p>1PC</p>	<p>5</p>  <p>2PCS</p>	<p>6</p>  <p>1PC</p>
<p>7</p>  <p>1PC</p>	<p>8</p>  <p>23PCS</p>	<p>9</p>  <p>10PCS</p>
<p>10</p>  <p>1PC</p>	<p>11</p>  <p>2PCS</p>	<p>12</p>  <p>1PC</p>
<p>13</p>  <p>1PC</p>	<p>14</p>  <p>2PCS</p>	



HARDWARE LIST

<p>A</p>  <p>36PCS M$\frac{1}{4}$"X45</p>	<p>B</p>  <p>22PCS M$\frac{1}{4}$"X15</p>	<p>C</p>  <p>1PC M4X23X57</p>	<p>D</p>  <p>2PCS foot nail #20x20</p>
<p>E</p>  <p>8PCS foot nail Ø38x20</p>			

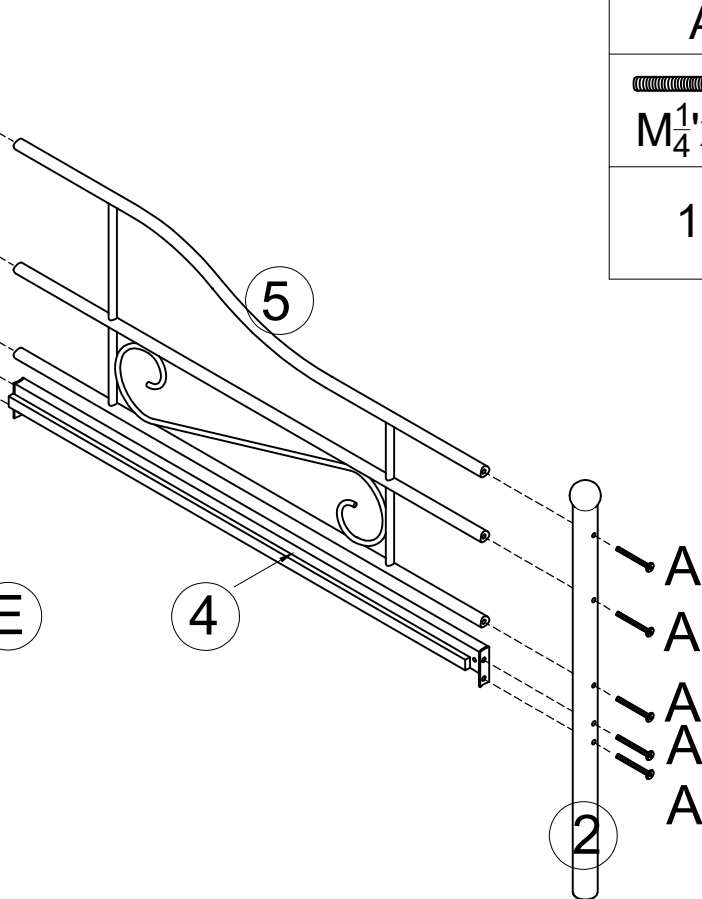
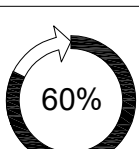
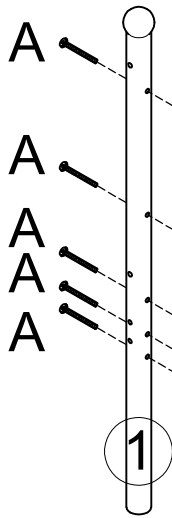




STEP 1

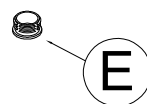
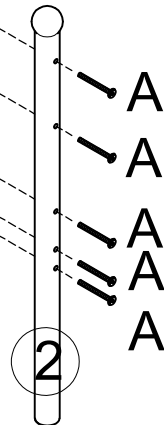


A	E
 M $\frac{1}{4}$ "x45	
10	2

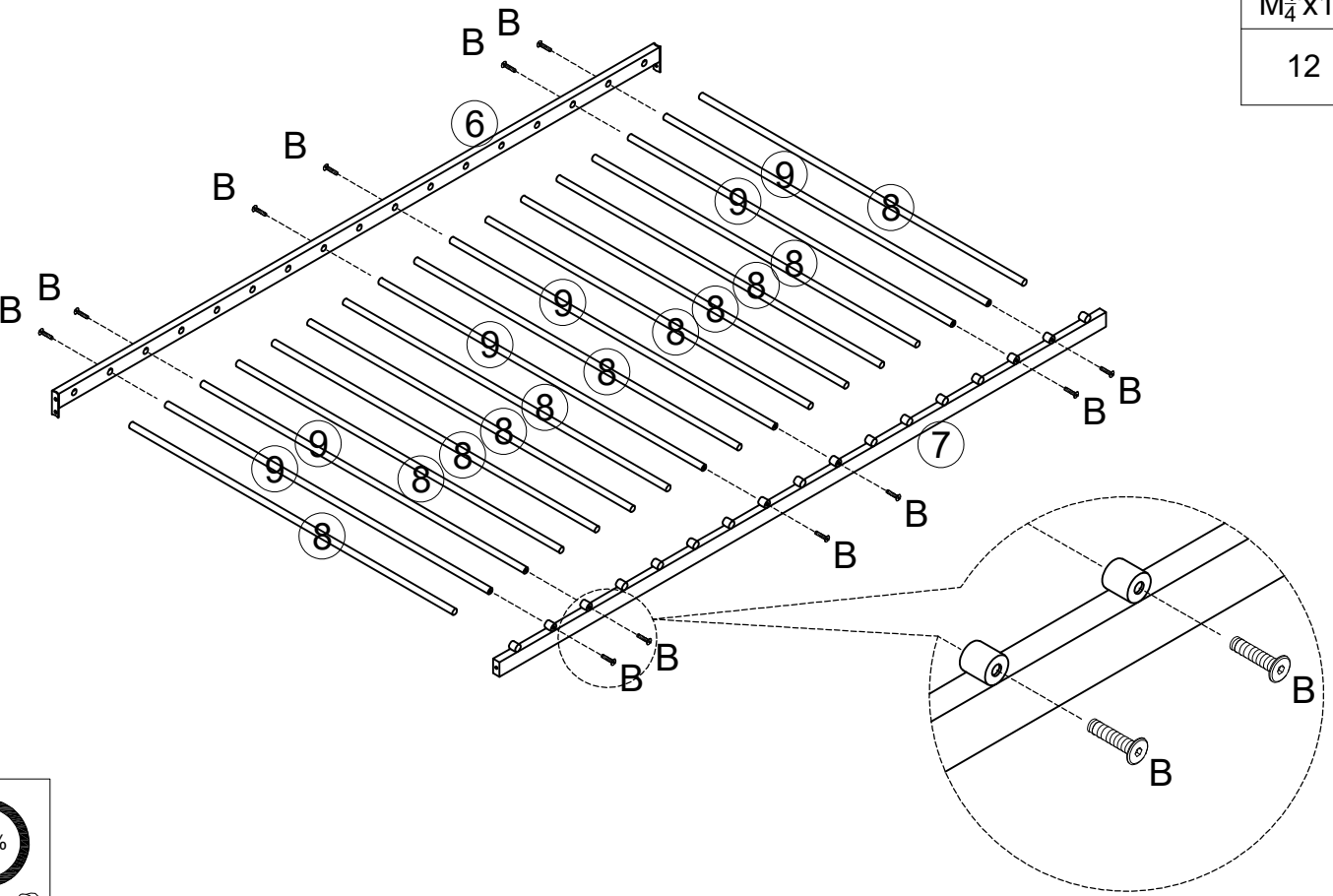
STEP 2




A	E
 M $\frac{1}{4}$ "x45	
10	2

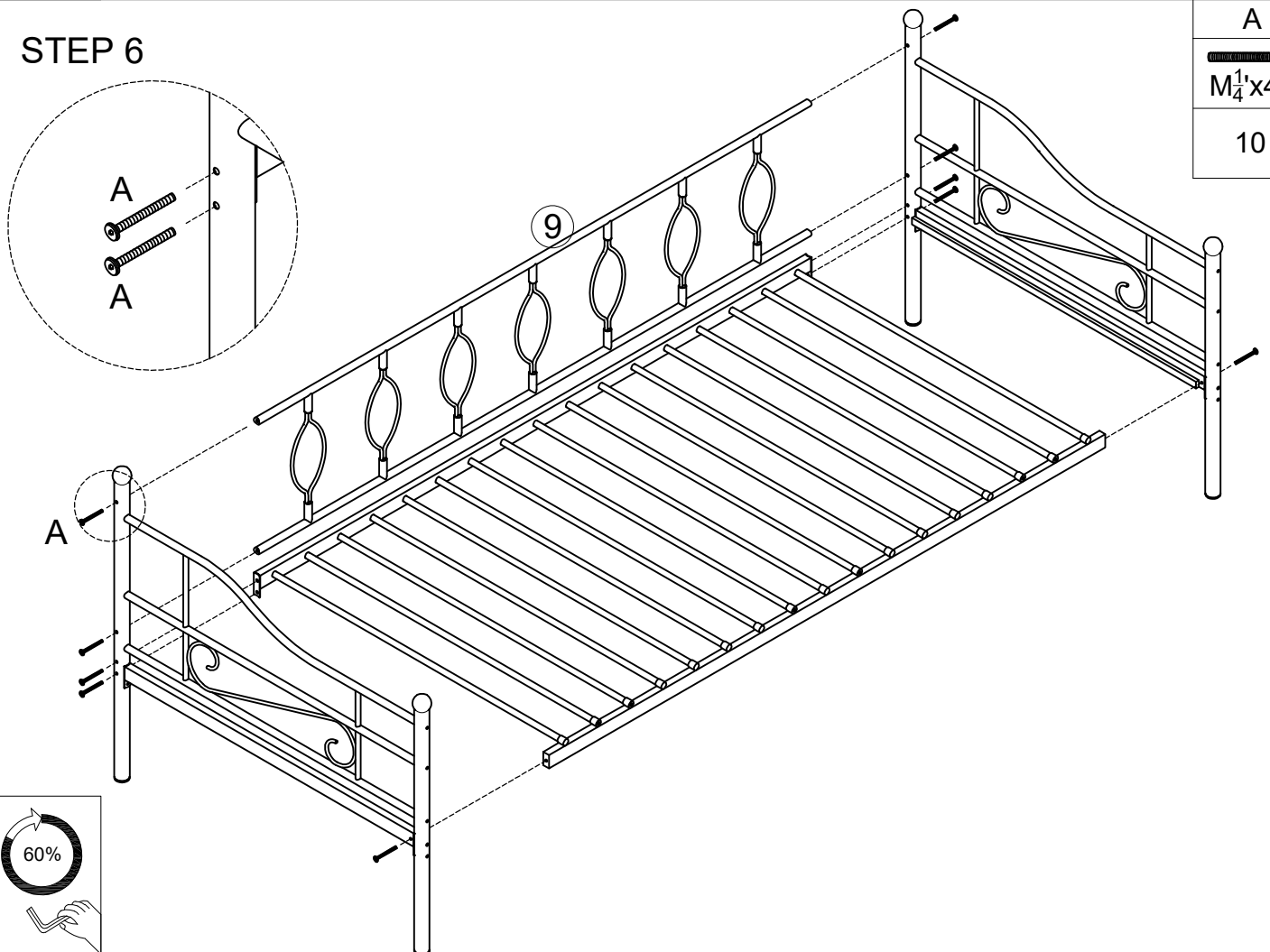


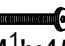
STEP 5



B
 M $\frac{1}{4}$ "x15
12

STEP 6



A
 M $\frac{1}{4}$ "x45
10

