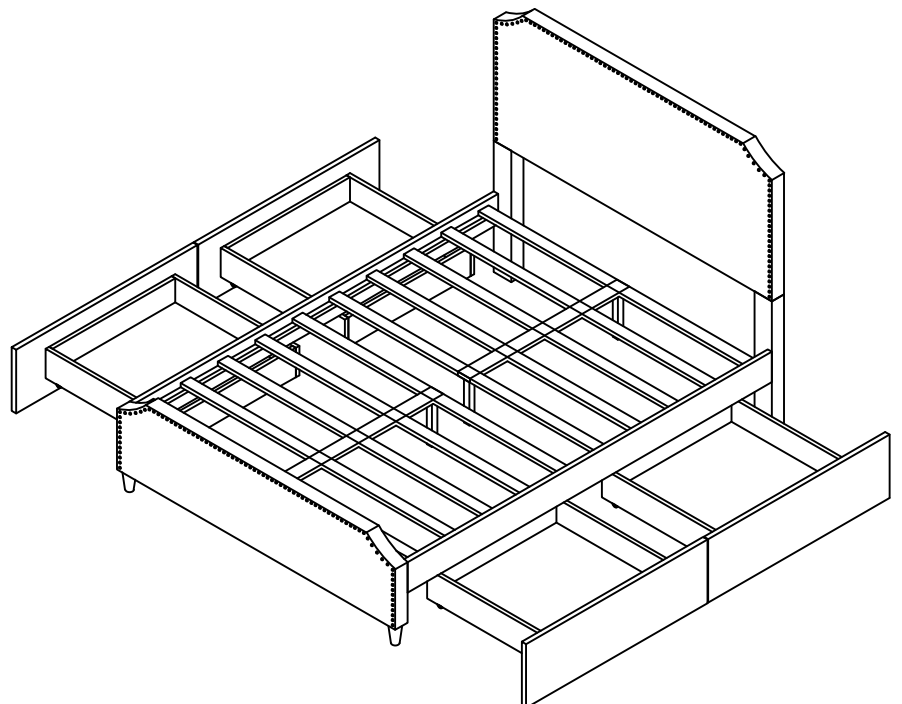
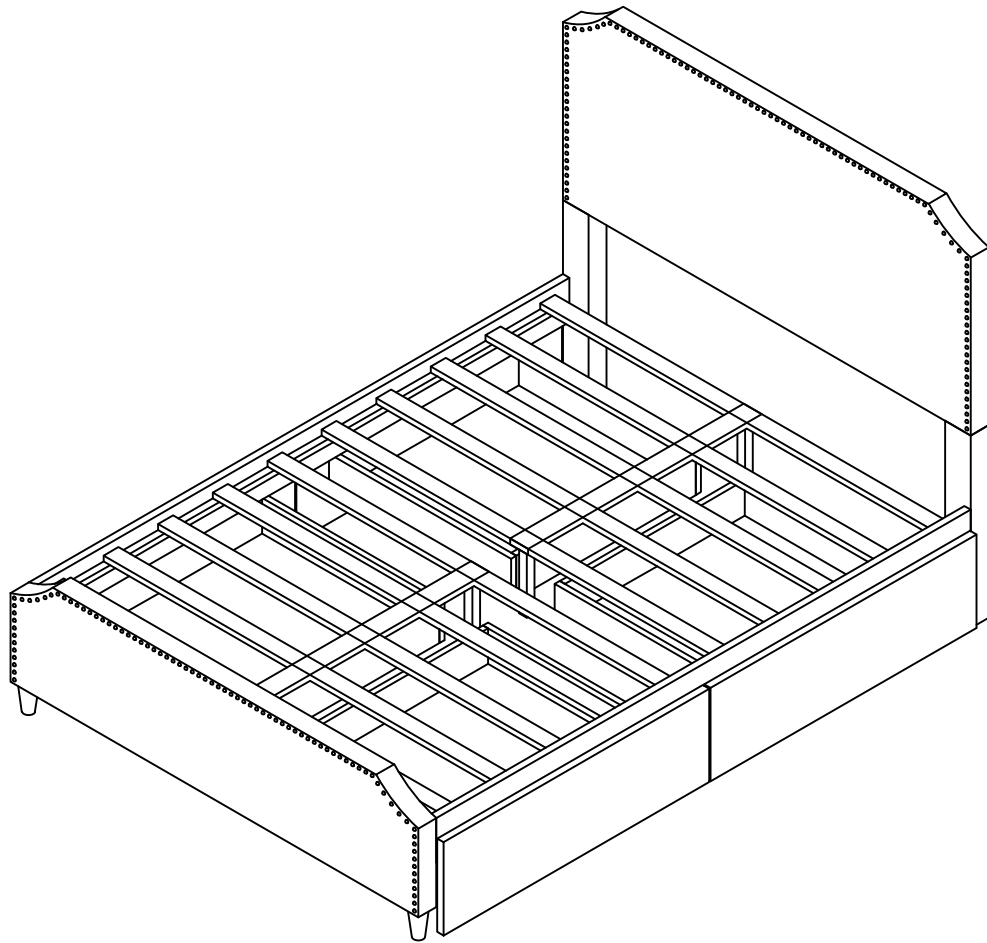
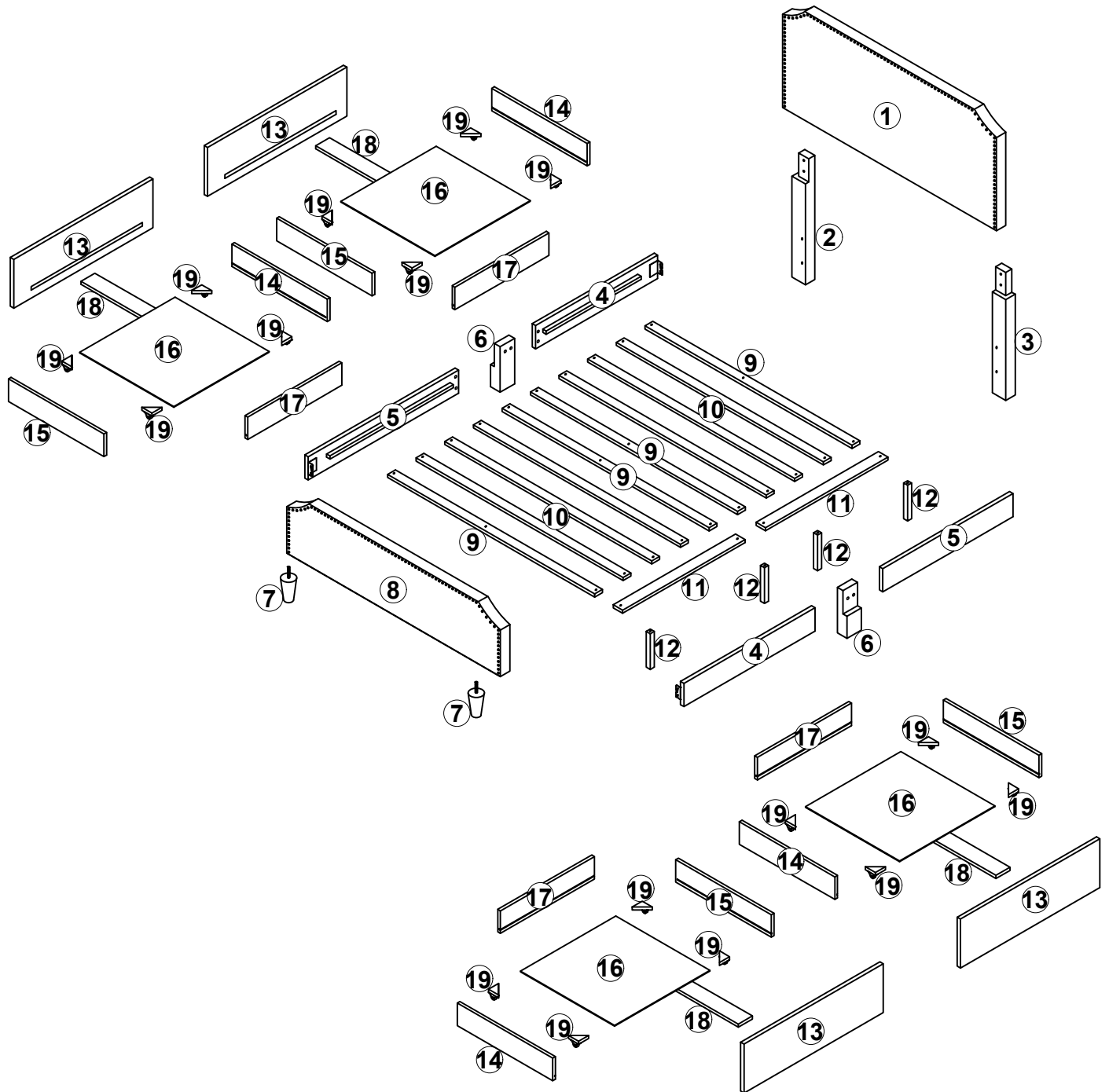


ASSEMBLY INSTRUCTION

SKU CODE: WF296831/ WF296832

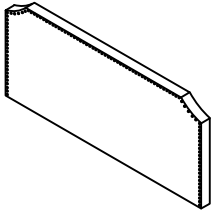


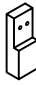

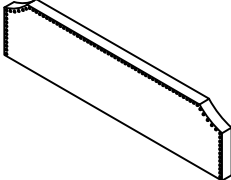
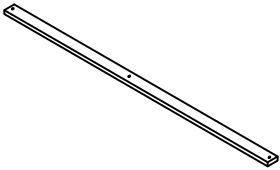
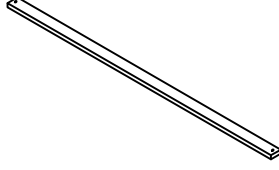


Detail View - QUEEN BED WITH 4 DRAWERS

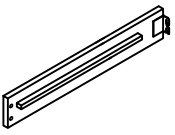
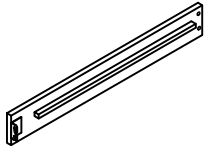
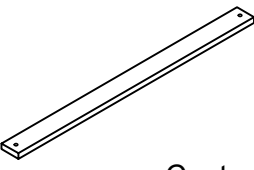

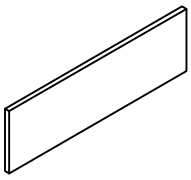
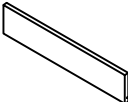
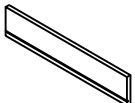
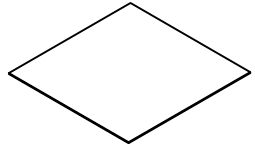


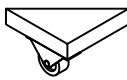


Identifying the Hardware - Identify the hardware using the illustrations below.


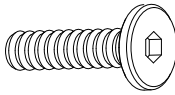
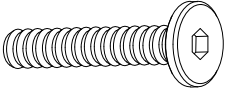


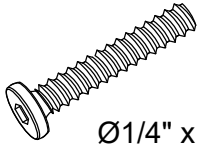
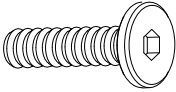
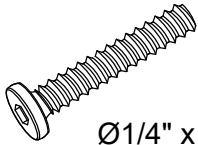
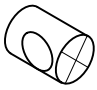


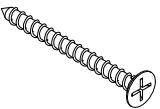
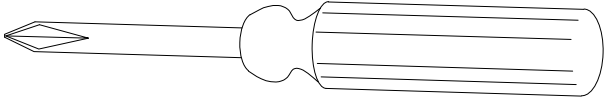
Part Lists: WF296831

1  Headboard-1pc	2  Headboard left leg -1pc
3  Headboard right leg-1pc	6  Side rail support leg - 2pcs
7  Footboard leg -2pcs	8  Footboard - 1pc
9  Bed slat 1 - 4pcs	10  Bed slat 2 -6pcs

Part Lists: **WF296832**

<p>4</p>  <p>Side rail 1 - 2pcs</p>	<p>5</p>  <p>Side rail 2 - 2pcs</p>
<p>11</p>  <p>Center support bar -2pcs</p>	<p>12</p>  <p>Center support leg - 4pcs</p>
<p>13</p>  <p>Drawer front -4pcs</p>	<p>14</p>  <p>Drawer side left -4pcs</p>
<p>15</p>  <p>Drawer side right -4pcs</p>	<p>16</p>  <p>Drawer bottom -4pcs</p>
<p>17</p>  <p>Drawer back -4pcs</p>	<p>18</p>  <p>Drawer bottom support bar -4pcs</p>
<p>19</p>  <p>Corner block -16pcs</p>	

HARDWARE LISTS: WF296832

<p>A</p>  <p>4mm Allen key (1pc)</p>	<p>B</p>  <p>Ø5/16" x 20mm Hex-head bolt (8pcs)</p>
<p>C</p>  <p>Ø5/16" x 50mm Hex-head bolt (4pcs)</p>	<p>D</p>  <p>Ø5/16" Spring washer (12pcs)</p>
<p>E</p>  <p>Ø5/16" Flat washer(12pcs)</p>	<p>F</p>  <p>Ø1/4" x 45mm Hex-head bolt (4pcs)</p>
<p>G</p>  <p>Ø1/4" x 30mm Hex-head bolt (4pcs)</p>	<p>H</p>  <p>Ø1/4" x 50mm Hex-head bolt (16pcs)</p>
<p>I</p>  <p>Ø1/4" Barrel nut (16pcs)</p>	<p>J</p>  <p>Ø1/4" Spring washer (24pcs)</p>
<p>K</p>  <p>Ø1/4" Flat washer(24pcs)</p>	<p>L</p>  <p>Ø4 x 30mm Wood screw (68pcs)</p>
 <p>ASSEMBLY TOOLS REQUIRED (NOT INCLUDED)</p>	



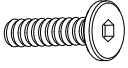
Read this instruction carefully. See hardware and furniture part list for guidance. Be sure all parts are complete, before you assemble. Place all wooden furniture parts on a clean and flat soft surface to prevent from being scratched. Follow the figure to start assembling.

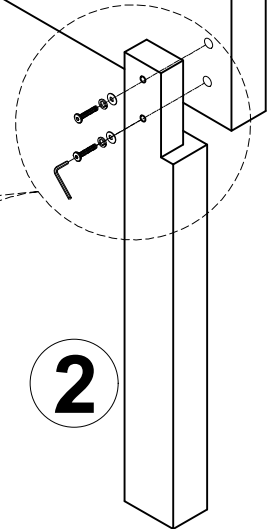
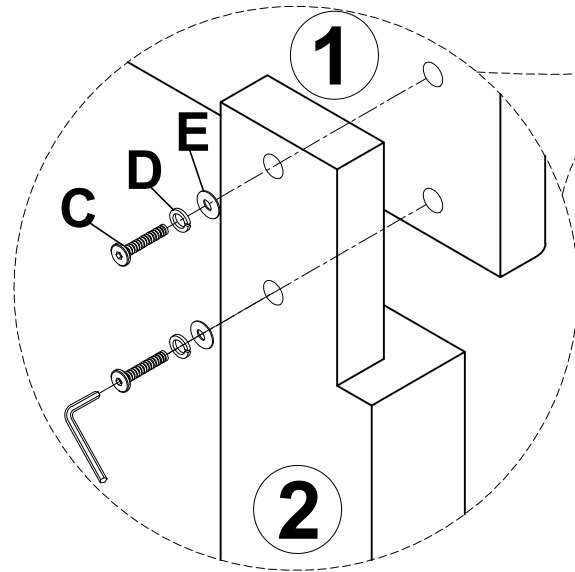
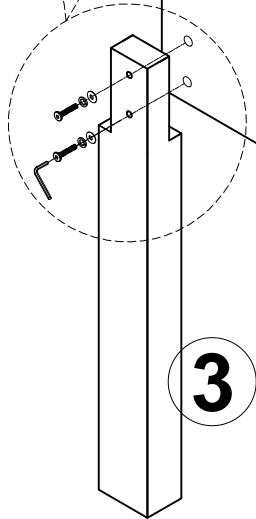
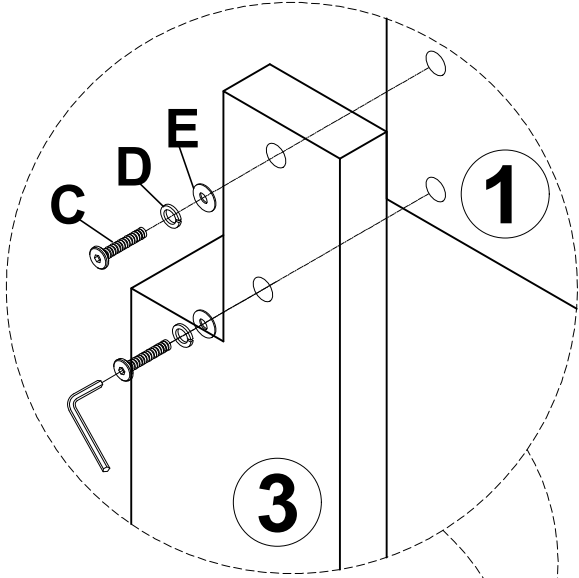
CAUTIONS :

1. Do not FULLY - TIGHTEN the nut or nut bolt until all nut or bolt is ready assembled.
2. Do not OVER - TIGHTEN the nut or bolt to avoid causing damages to the thread.
3. Keep all hardware parts out of reach of children.

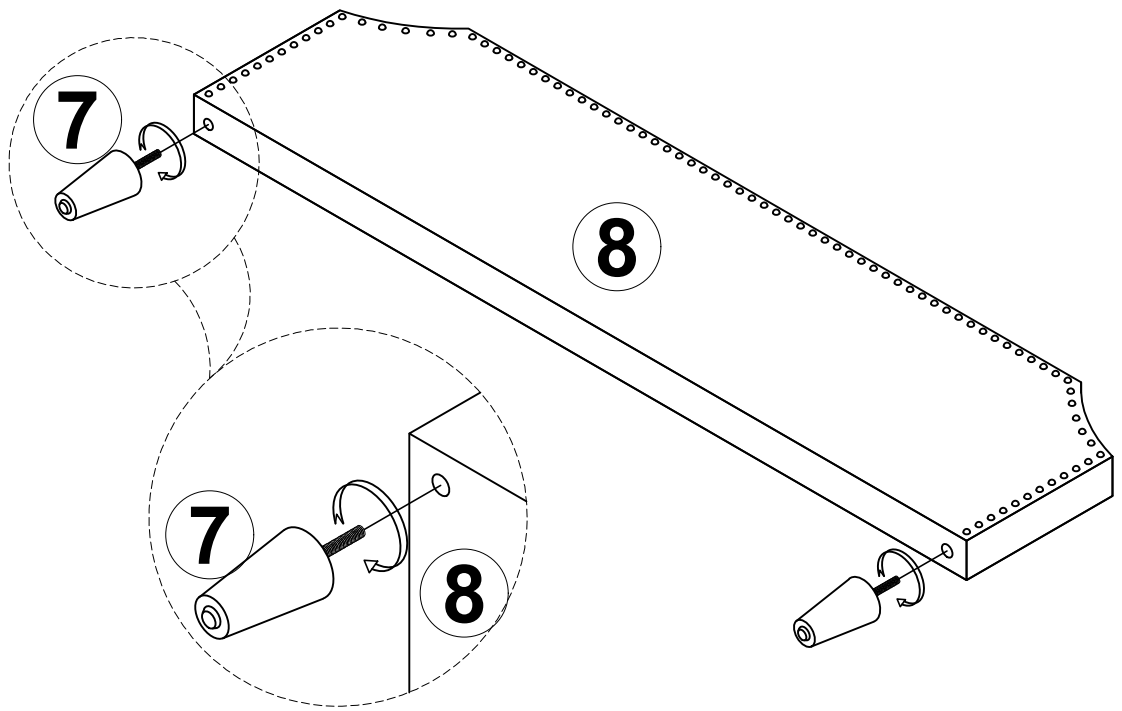
NOTE : THE LIST AND QUANTITY SHOWN ARE FOR 1 UNIT ASSEMBLY.

STEP 1

E 	D 	C 
4PCS	4PCS	4PCS

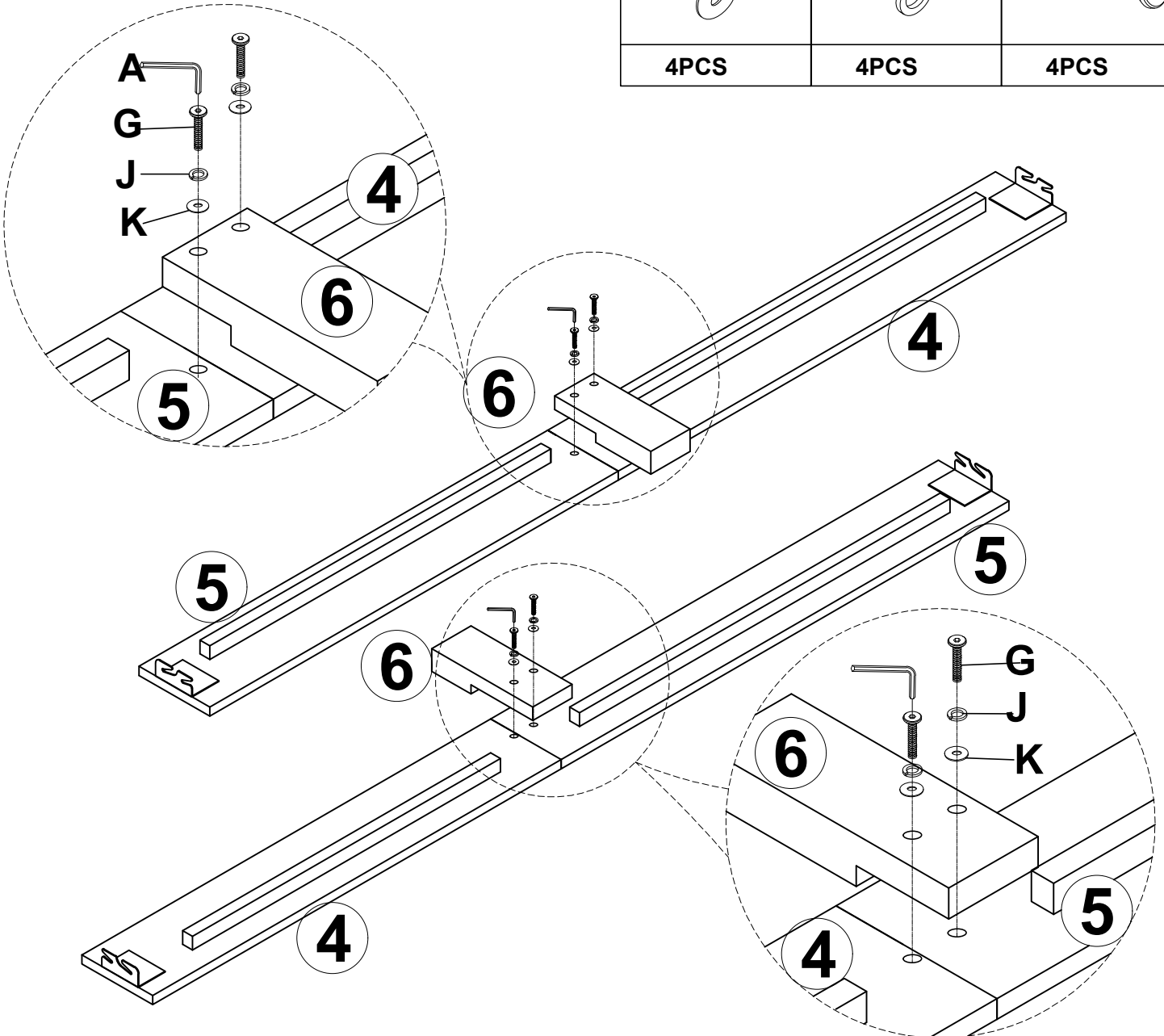


STEP 2



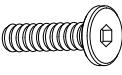


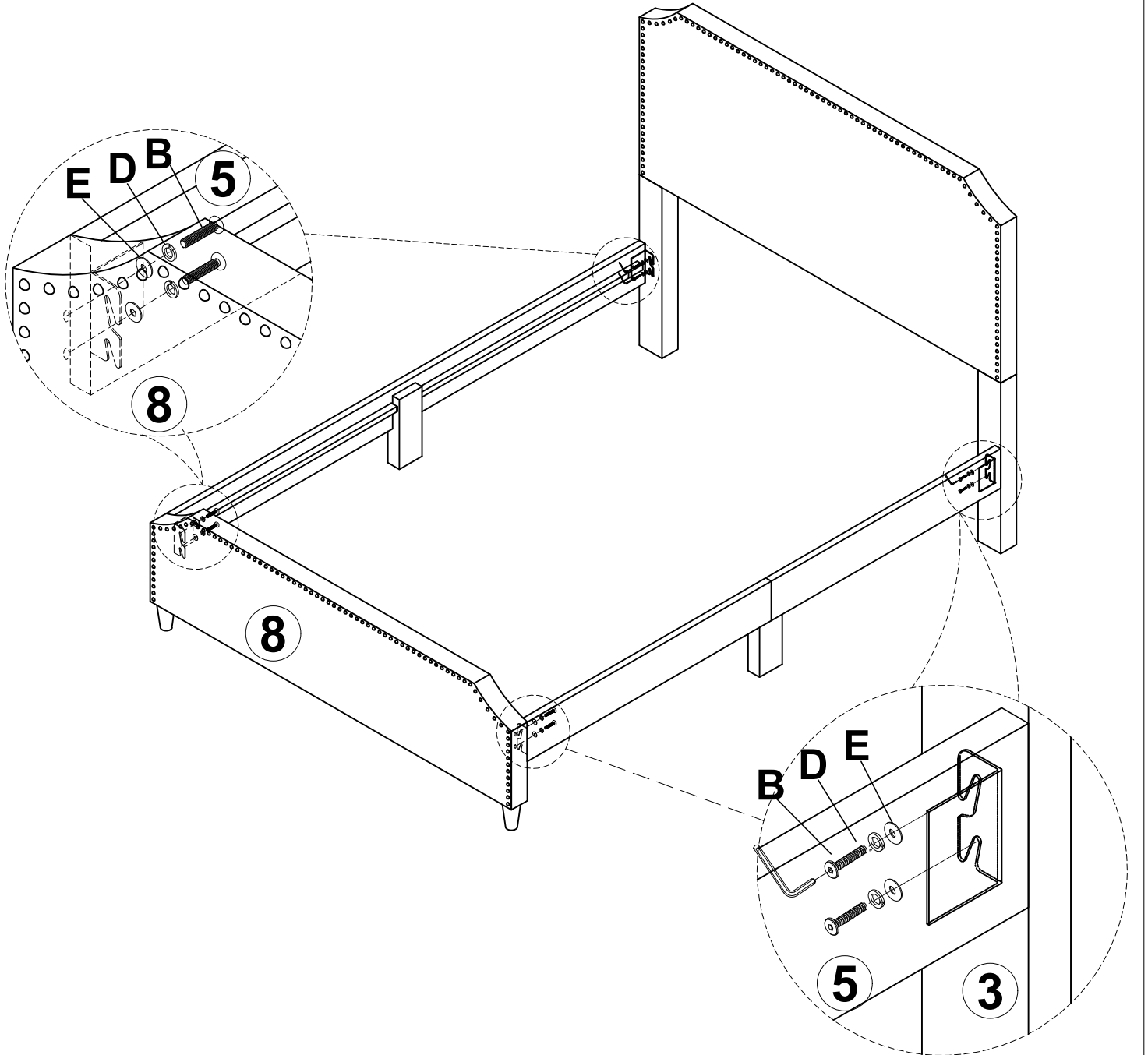
STEP 3

K		J		G	
	4PCS		4PCS		4PCS



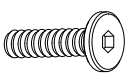


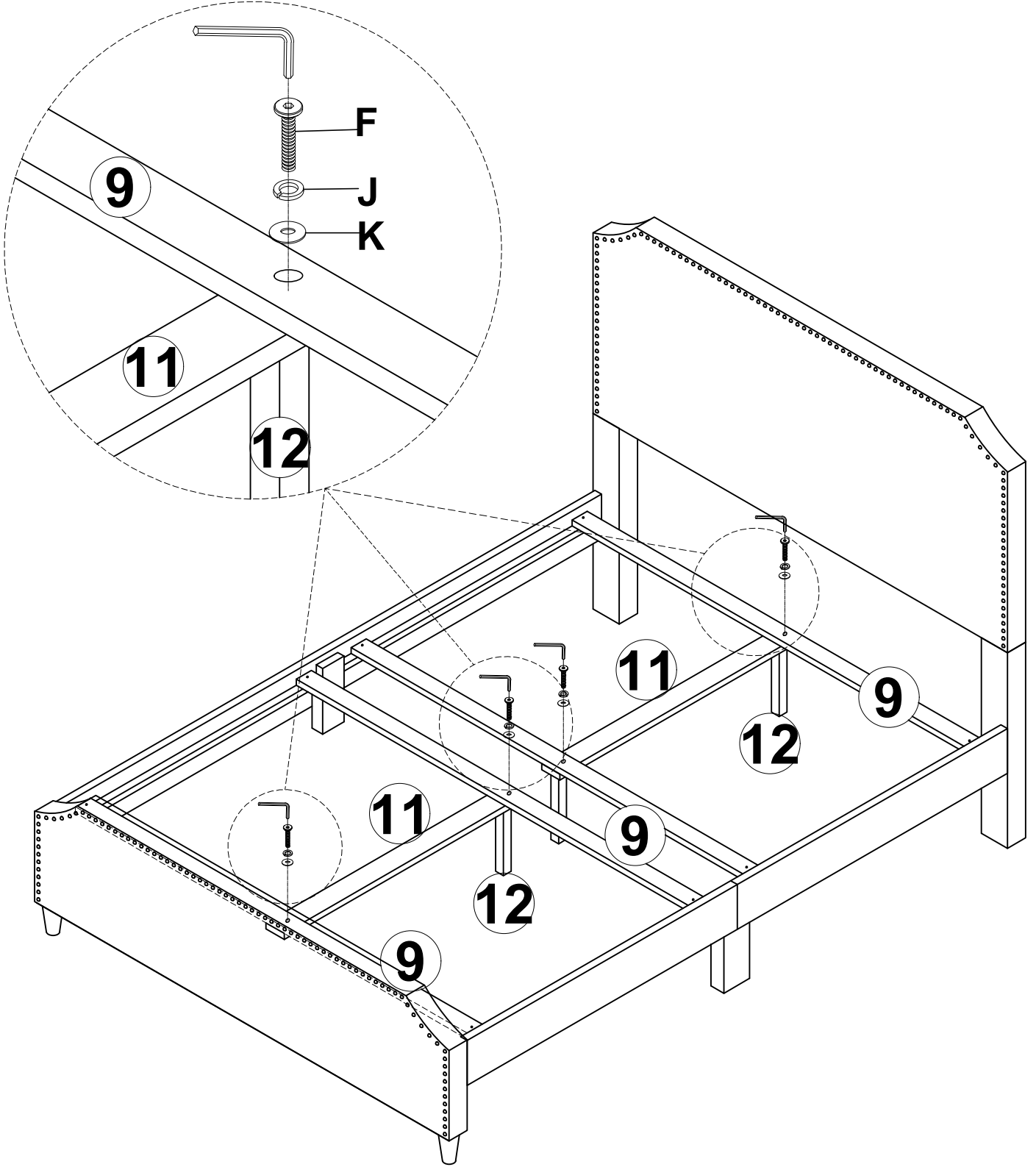
STEP 4

E 	D 	B 
8PCS	8PCS	8PCS



STEP 5

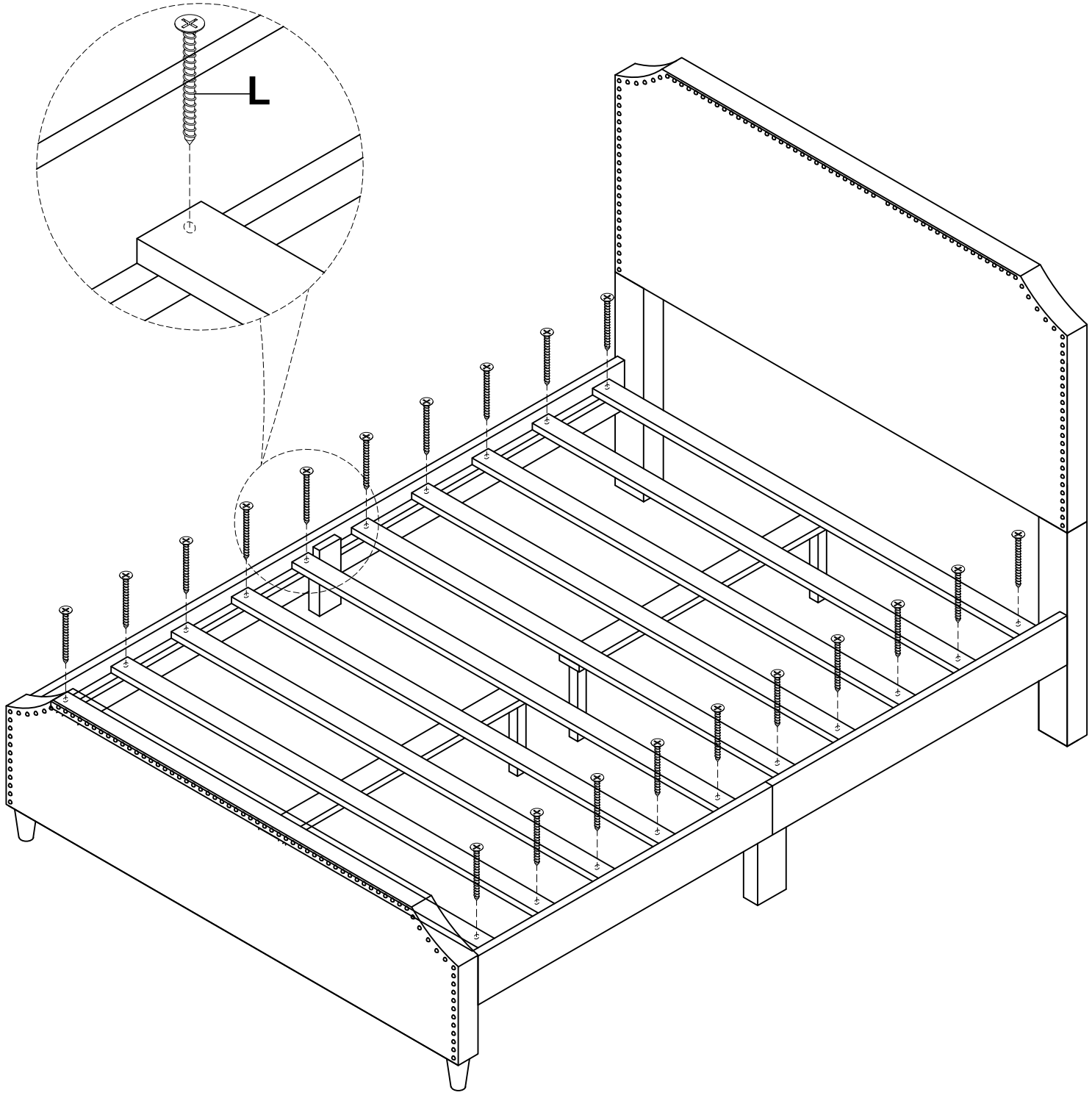
K 	J 	F 
4PCS	4PCS	4PCS



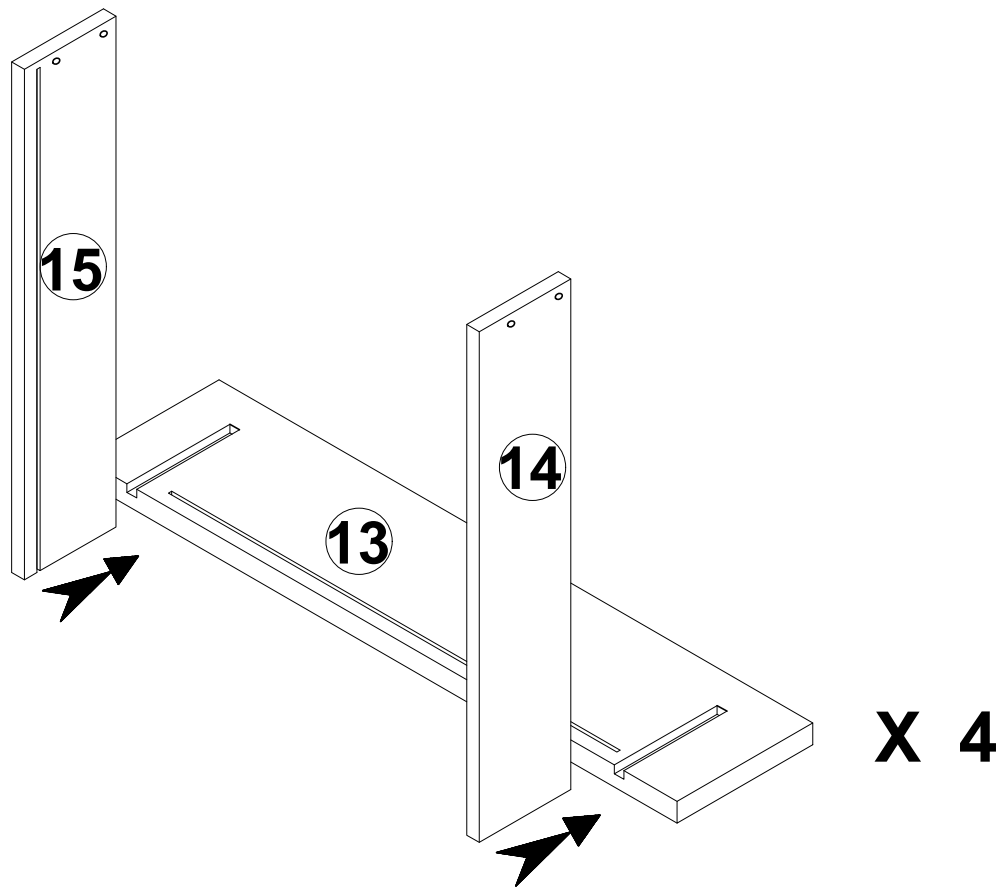
STEP 6



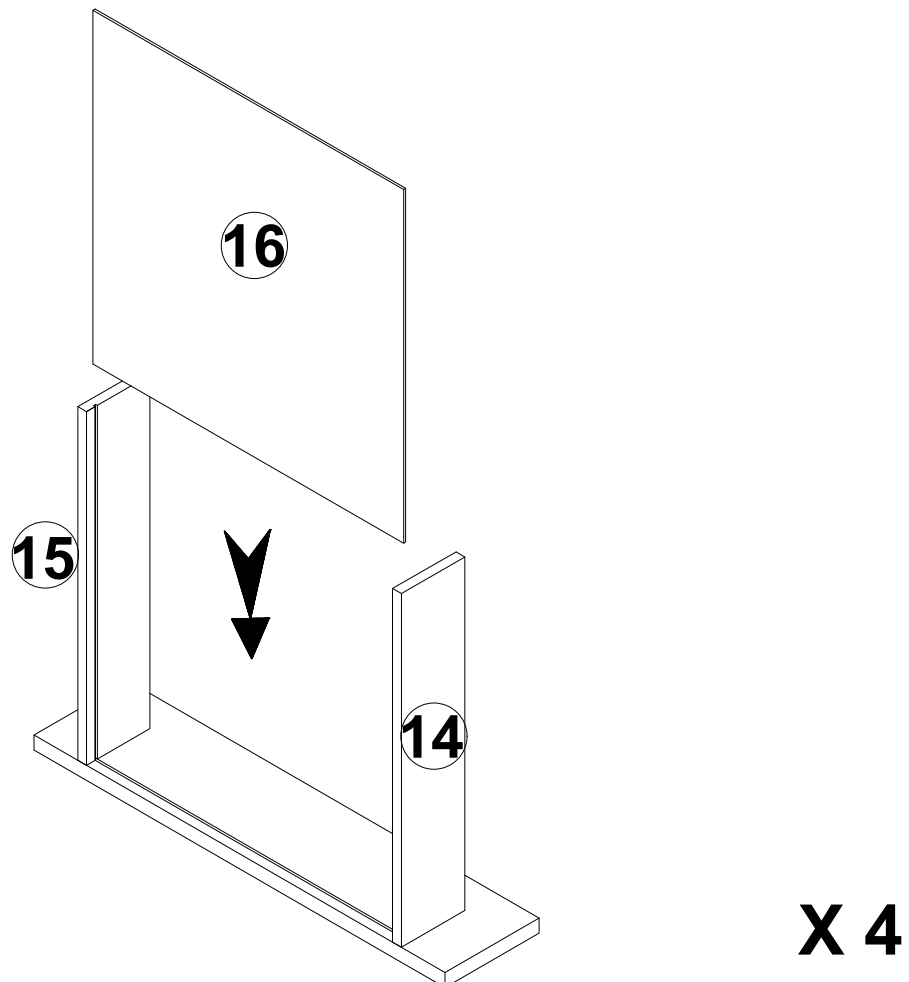
20PCS




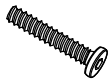
STEP 7

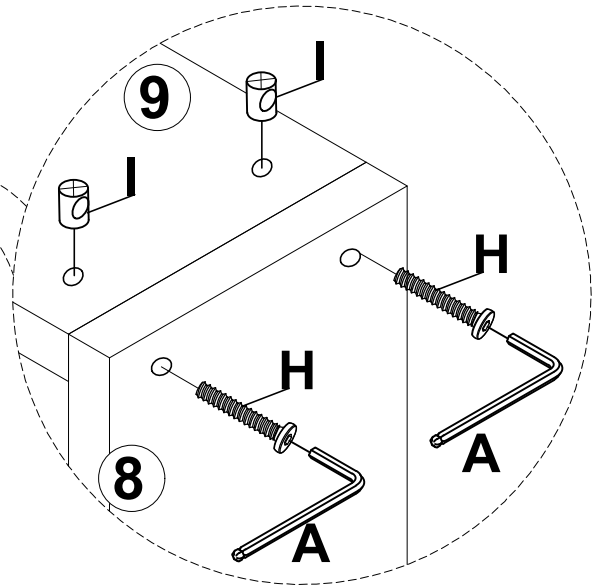
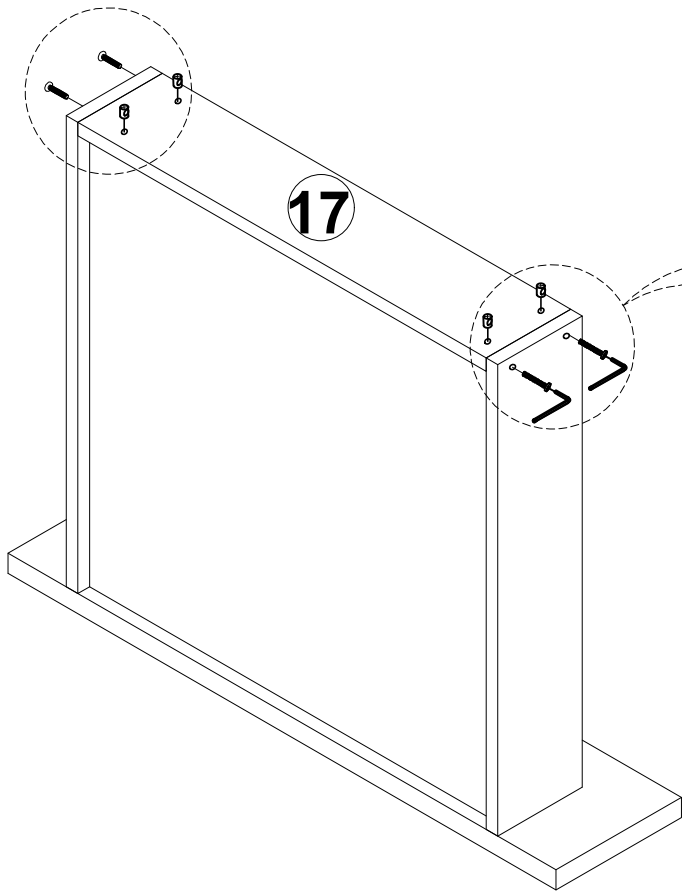


STEP 8



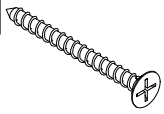
STEP 9

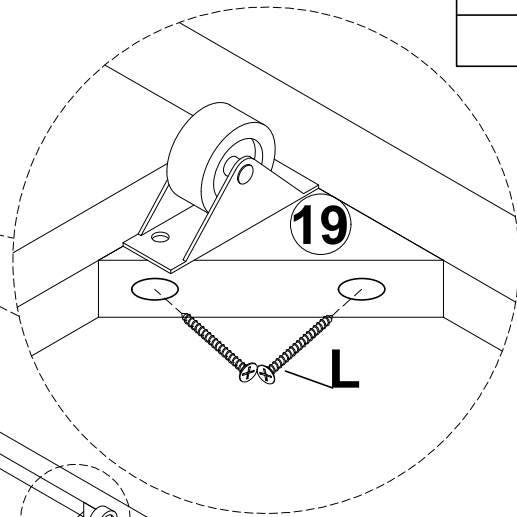
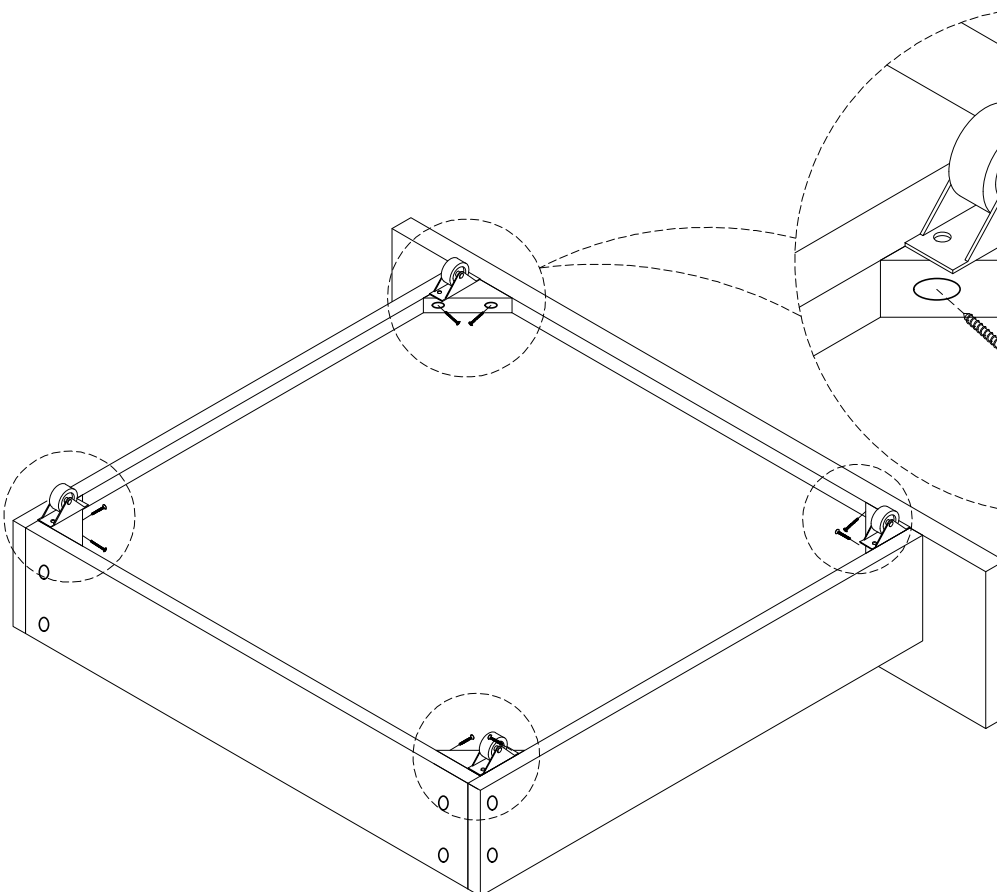
I		H	
16PCS		16PCS	



X 4

STEP 10

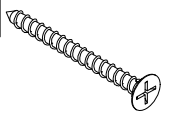
L	
32PCS	



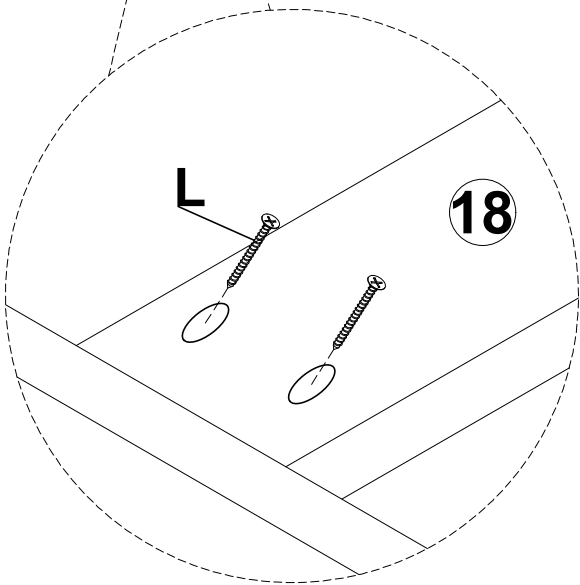
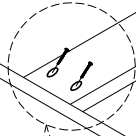
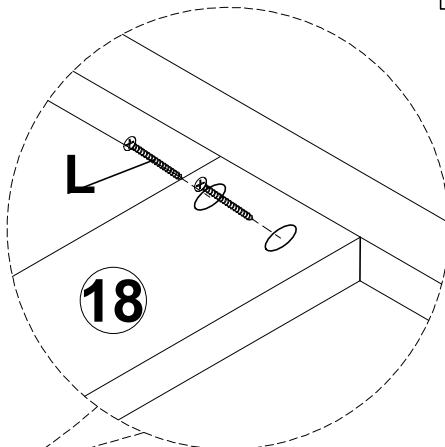
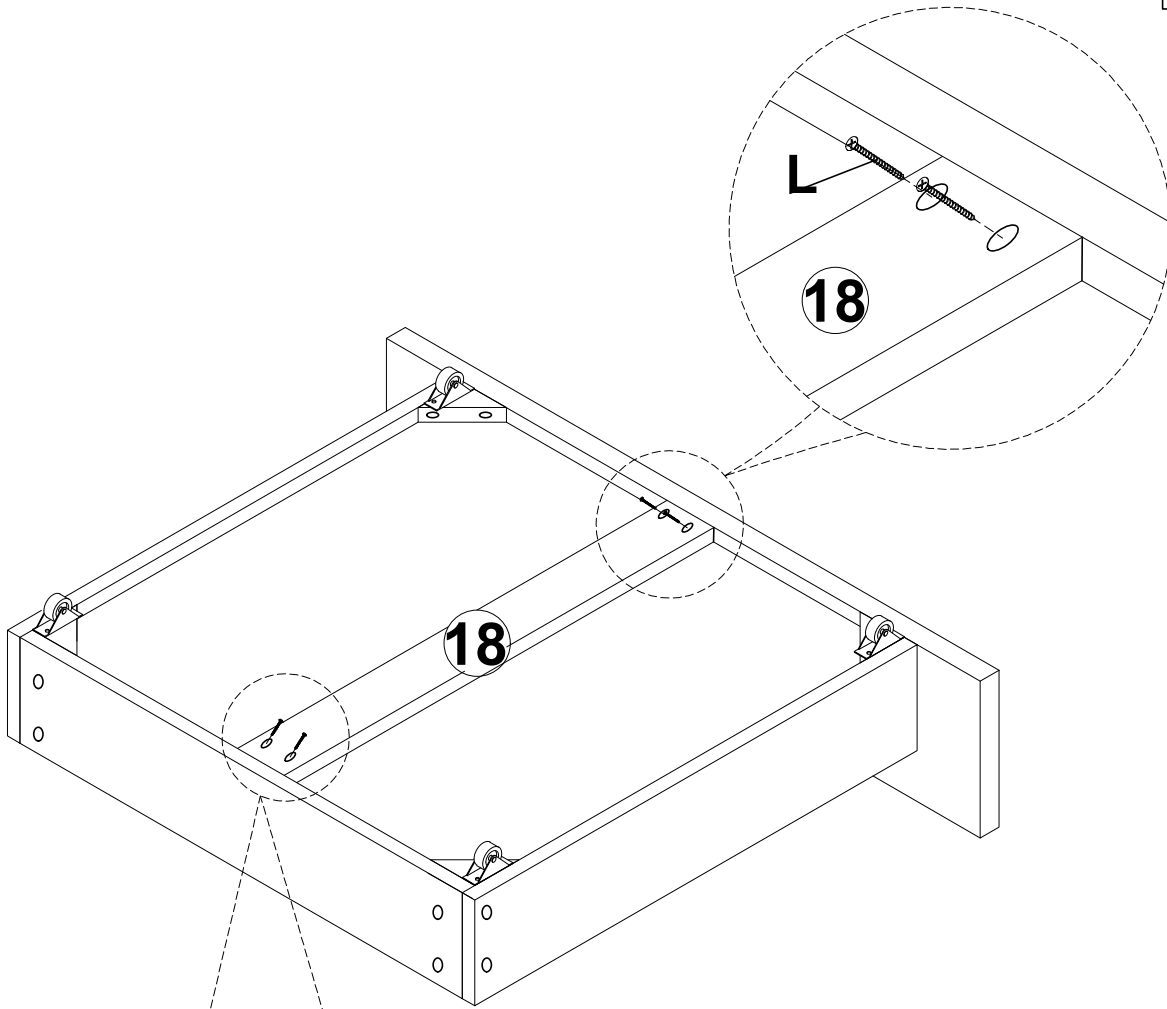
X 4

STEP 11

L



16PCS



X 4

STEP 12

