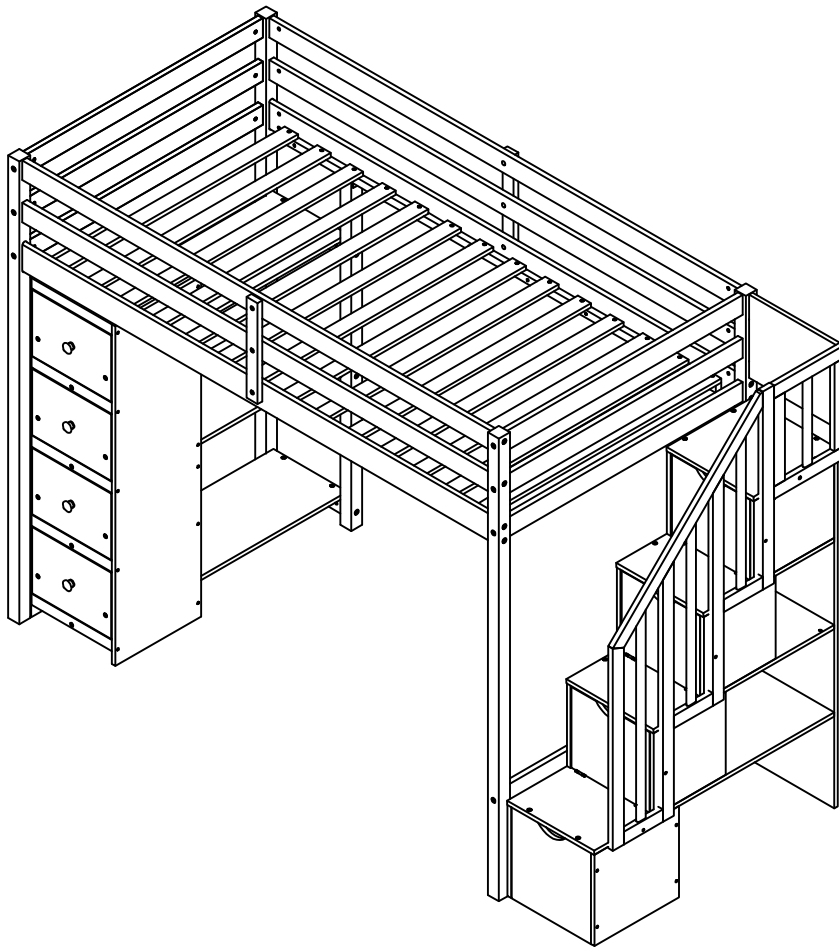


ASSEMBLY INSTRUCTIONS

LOFT BED WITH 4 DRAWERS CHEST



WF296605/WF296606/WF296607



SAFETY WARNING



1. This bed is designed for use only mattress (es) meeting the following specifications on the upper bunk, and lower bunk:

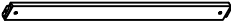
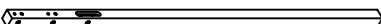
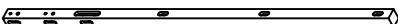
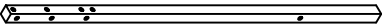
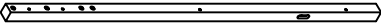
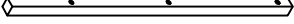
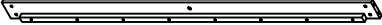

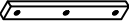

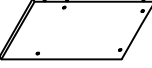

Upper bunk (Bunk bed and tribed included)

Bed type	Length	Width	Thickness
Twin Standard	74"-75"	38 1/2"	6"

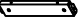


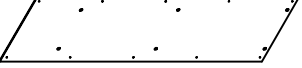
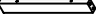
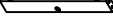
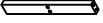
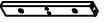
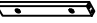

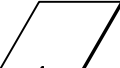

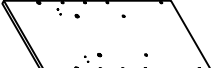


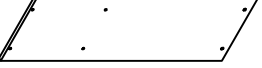

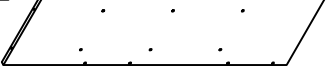
2. Replacement parts, including additional guardrails, maybe obtained from any of our (GIGACLOUD TECHNOLOGY (USA) INC . 18961 ARENTH AVENUE, CITY OF INDUSTRY , CA, 91748.) dealers
3. Follow the information on the warnings appearing on the upper bunk bed end structure and on the carton. Do not remove warning label from bed.
4. Always use the recommended size mattresses or mattress supports, or both, to help prevent the likelihood of entrapment or falls.
5. Surface of mattress must be at least 5" (127mm) below the upper edge of guardrails.
6. Do not allow children under 6 years of age to use the upper bunk.
7. Periodically check and ensure that the guardrail, ladder, and other components are in their proper position, free from damage, and that all connectors are tight.
8. Do not allow horseplay on or under the bed and prohibit jumping on the bed.
9. Always use the ladder for entering and leaving the upper bunk.
10. Do not use substitute part. Contact the manufacture or dealer for replacement part.
11. Use of a night light may provide added safety precaution for a child using the upper bunk.
12. Always use guardrails on both long sides of the upper bunk. If the bunk bed will be placed next to the wall, the guardrail that runs the full length of the bed should be placed against the wall to prevent entrapment between the bed and wall.
13. The use of water or sleep flotation mattresses is prohibited.
14. STRANGULATION HAZARD - Never attach or hang items to any part of the bunk bed that are not designed for use with the bed; for example, but not limited to, hook, belts and jump ropes.
15. Keep these instruction for future reference.
16. Prohibit more than one person on upper bunk
17. We recommend assembling your bunk bed on the shipping carton to protect your floor or carpet.
18. Be certain all staples are out of the box before beginning assembly on the shipping carton.

Part List

WF296605

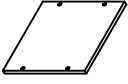

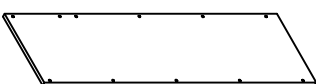
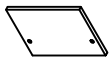
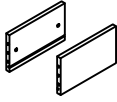
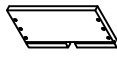
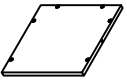

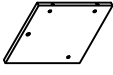
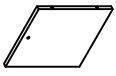
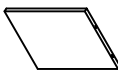
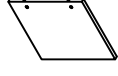
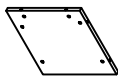
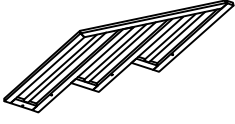
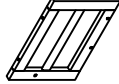
A  Horizontal bar - 7pcs	B  Leg (Left front) - 1pc	C  Leg (Left back) - 1pc
D  Leg (Right front) - 1pc	E  Leg (Right back) - 1pc	F  Leg short HB (Back) - 1pc
H  Side rail - 2pcs	I  Long guard rail - 4pcs	J  Vertical guard rail - 2pcs
T1  Center left/right side panel - 3pcs	T2  Center left side panel - 1pc	Y  Slat - 14pcs

Hardware List WF296606



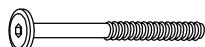





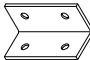




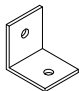


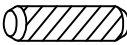
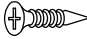
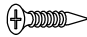
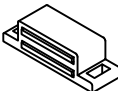

G  Support horizontal bar(back) - 3pcs	K  Shelf panel HB - 3pcs	L  Support horizontal bar - 3pcs
M3  Upper horizontal bar - 2pcs	N  Upper horizontal bar - 2pcs	O  Horizontal bar (Front) - 4pcs
O1  Horizontal bar (Back) - 2pcs	O2  Lower horizontal bar (Back) - 2pcs	O3  Horizontal bar (Back) - 1pc
P  Support drawer - 4pcs	Q3  Drawer bottom - 4pcs	R  Lower step ladder panel -1pc
R1  Lower center step ladder panel -1pc	R2  Upper center step ladder panel -1pc	S  Lower front panel - 1pc
T  Lower left side panel - 1pc	T5  Lower right side panel - 1pc	U  Back panel - 1pc

Part List

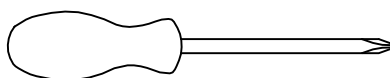
WF296607

<p>M</p>  <p>Top panel - 1pc</p>	<p>M1</p>  <p>Side panel (Left) - 1pc</p>	<p>M2</p>  <p>Side panel (Right) - 1pc</p>
<p>Q</p>  <p>Front drawer panel - 4pcs</p>	<p>Q1</p>  <p>Left / right drawer panel - 8pcs</p>	<p>Q2</p>  <p>Back drawer panel - 4pcs</p>
<p>R3</p>  <p>Upper step ladder panel - 1pc</p>	<p>S1</p>  <p>Upper front panel - 3pcs</p>	<p>T3</p>  <p>Upper left side panel - 1pc</p>
<p>T4</p>  <p>Upper right side panel - 1pc</p>	<p>U1</p>  <p>Upper guard back - 1pc</p>	<p>V</p>  <p>Support panel - 2pcs</p>
<p>V1</p>  <p>Support lower panel - 1pc</p>	<p>W</p>  <p>Guard rail - 1pc</p>	<p>X</p>  <p>Upper guard rail - 1pc</p>

Hardware List WF296606

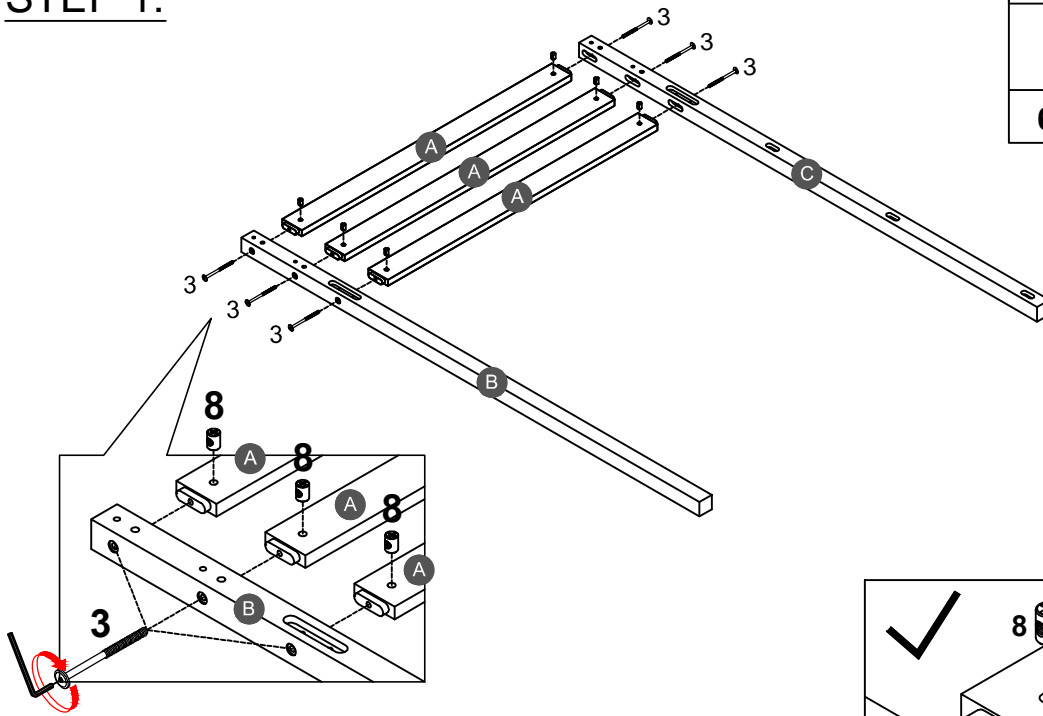
1  Ø8*30mm Wood dowel (74pcs)	2  (Ø15)1/4"*100mm Hex-Head bolts (16pcs)	3  (Ø15)1/4"*80mm Hex-Head bolts (24pcs)
4  (Ø12)1/4"*60mm Hex-Head bolts (74pcs)	5  (Ø12)1/4"*40mm Hex-Head bolts (6pcs)	6  (Ø12)1/4"*30mm Hex-Head bolts (9pcs)
7  (Ø12)1/4"*40mm Hex-Head bolts (40pcs)	8  1/4"*15 (9.5mm) Horizontal-Hole bolts(112pcs)	9  40*17*17*1.6mm Metal bracket (3pcs)
10  (1/4")4.5*58mm Allen key (1pc)	11  Ø3.5*15mm Wood screws (10pcs)	12  266*30mm Upper slider drawer (4pcs)
13  Ø4*30mm Wood screws (28pcs)	14  24*28*28*2mm Metal bracket (1pc)	15  Ø38*31mm Pine Knob (4pcs)
16  3/16"*25mm Ph zinc(Knob) (4pcs)	17  Ø10*40mm Wood dowel (8pcs)	18  Ø3.5*15mm Wood screws (26pcs)
19  Ø3.5*12 mm Wood screws (24pcs)	20  45*17*13mm Door catch (3pcs)	21  42*12*1mm Metal magnet (3pcs)



ASSEMBLY TOOLS REQUIRED (NOT INCLUDED)



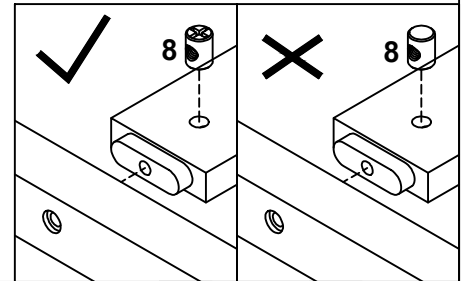
PLEASE BE CAREFUL DO NOT DAMAGE THE HOLE POSITION WHEN YOU USE POWER TOOLS !

STEP 1:

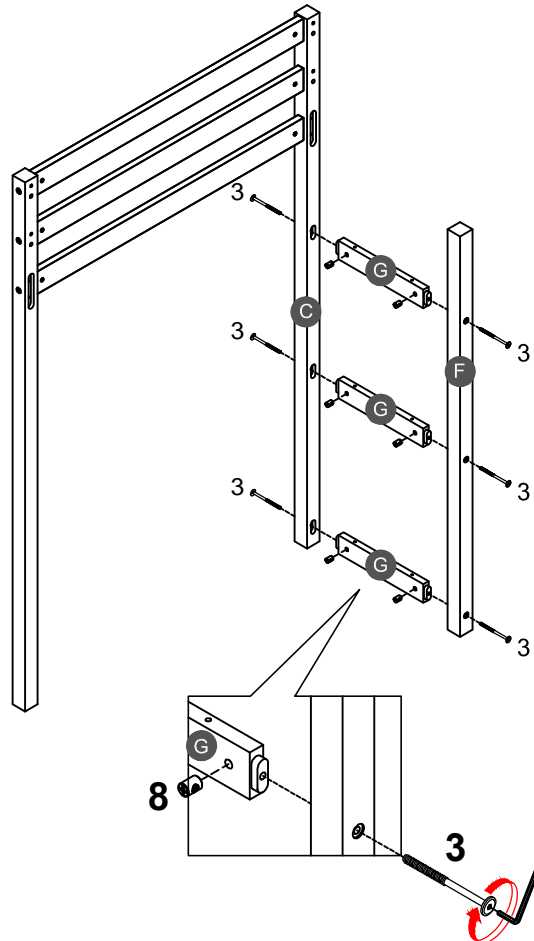




3		8	
6PCS		6PCS	

Note: Part 8 will face up with the "x" mark on it, otherwise it cannot be tightened

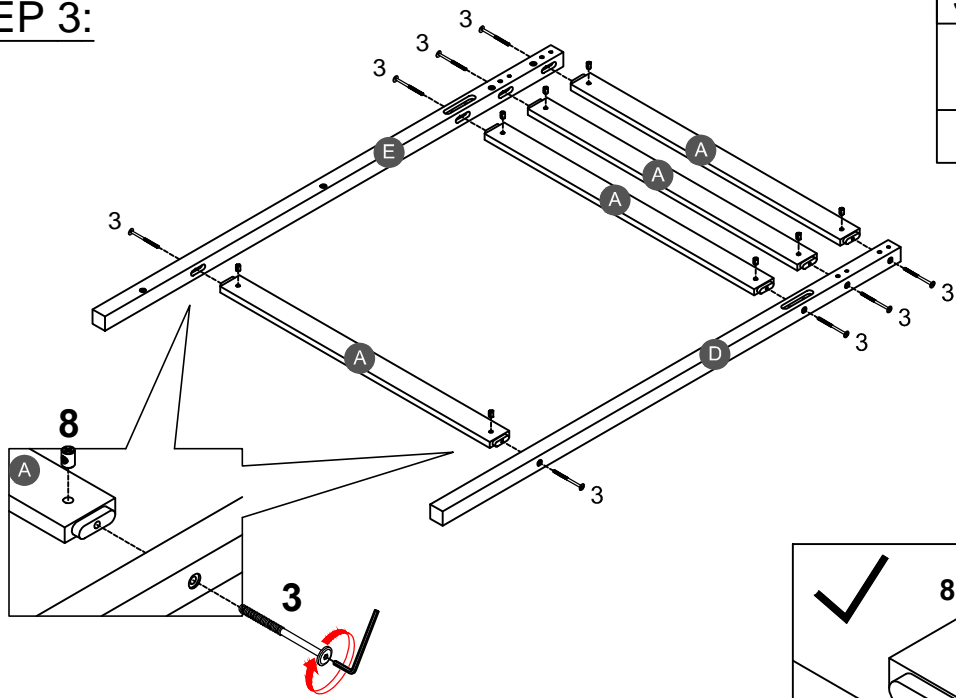




STEP 2:



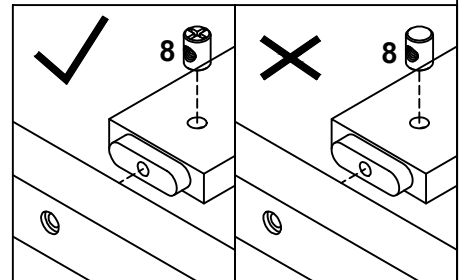
3		8	
6PCS		6PCS	

STEP 3:

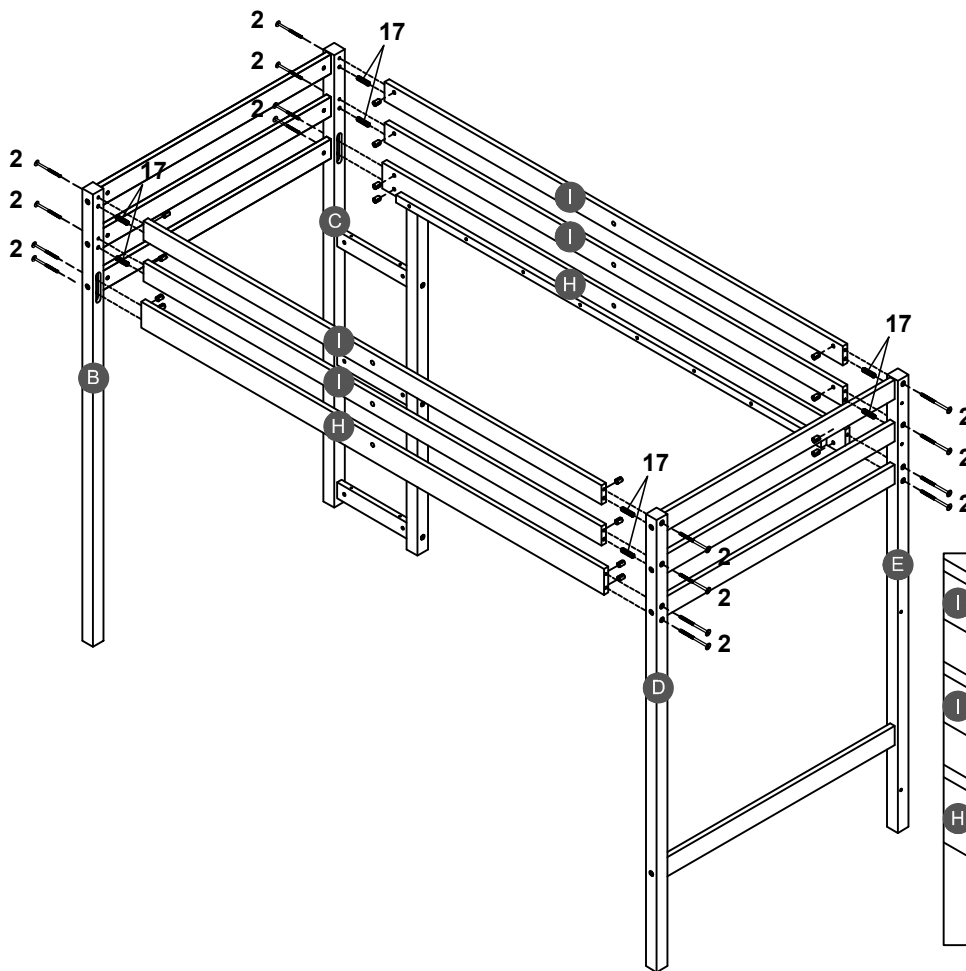





3		8	
8PCS		8PCS	

Note: Part 8 will face up with the "x" mark on it, otherwise it cannot be tightened

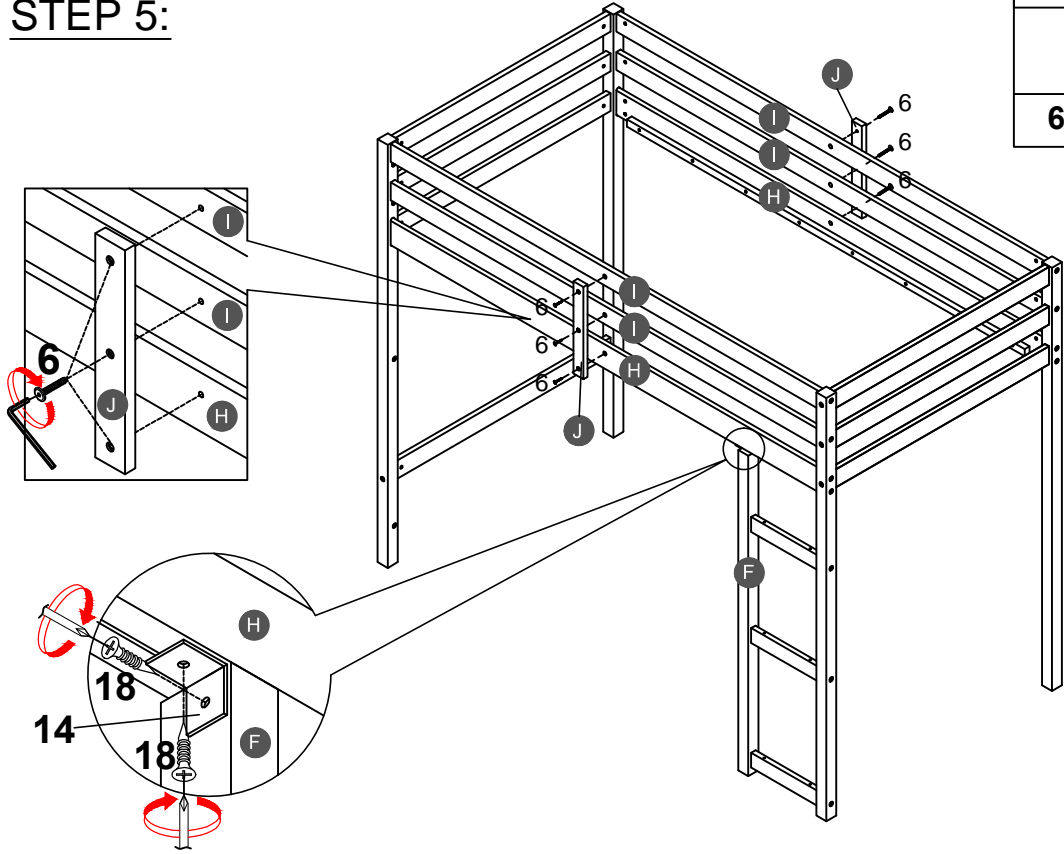


STEP 4:



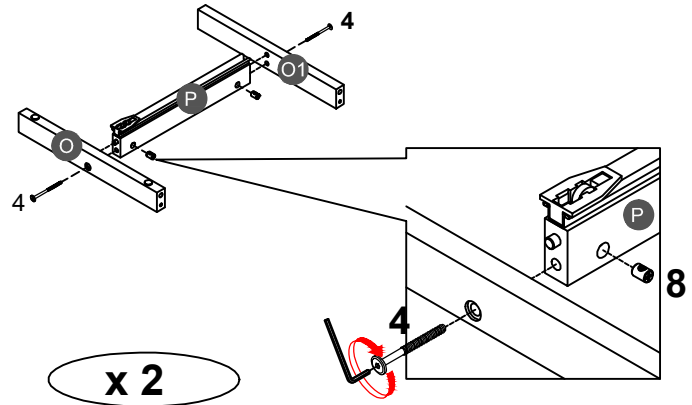
2		8	
16PCS		16PCS	
17		8PCS	

STEP 5:



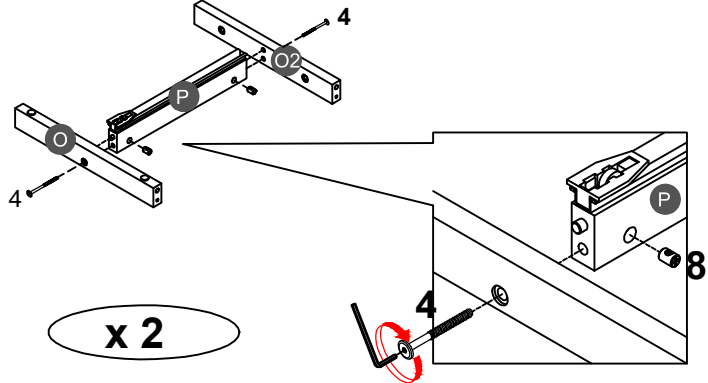
6		14	
6PCS		1PC	
		18	
		2PCS	

STEP 6:





4		8	
4PCS		4PCS	

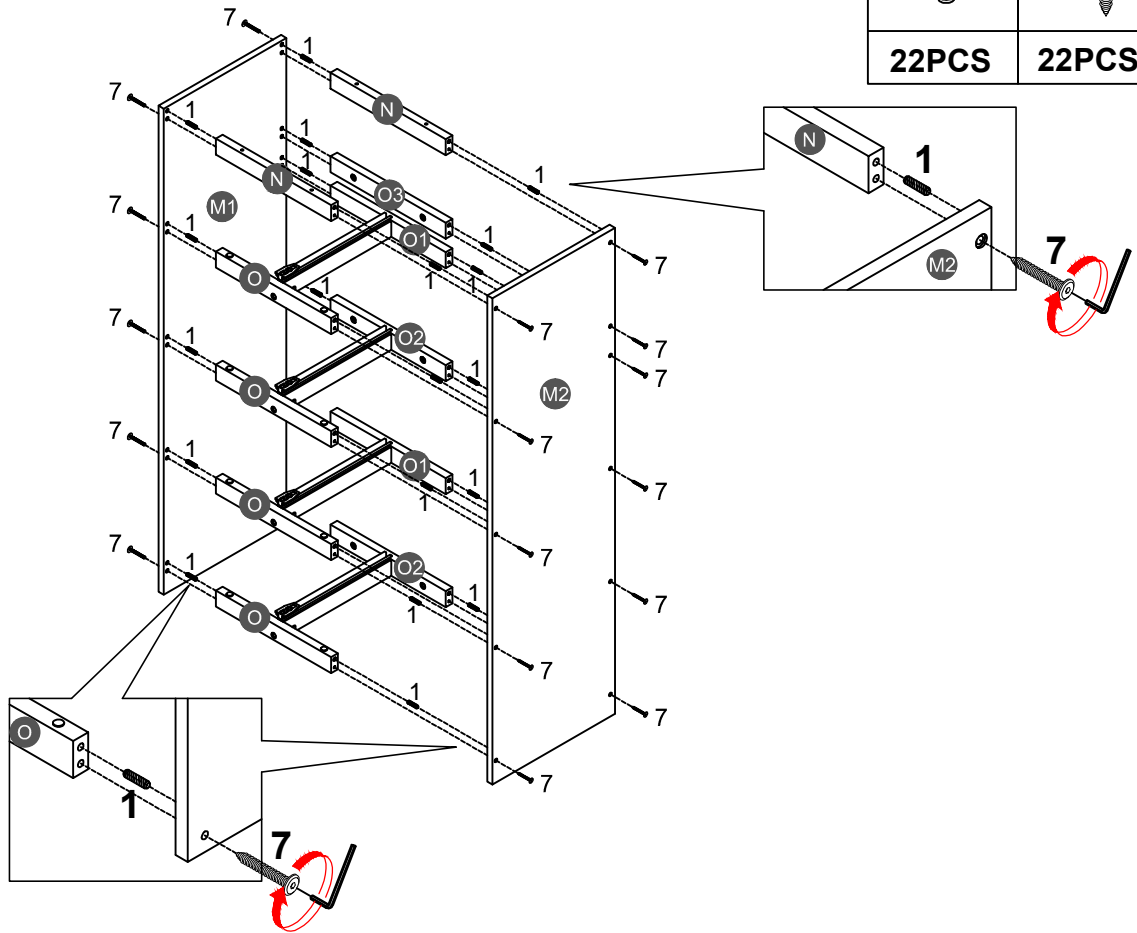
STEP 7:




4		8	
4PCS		4PCS	

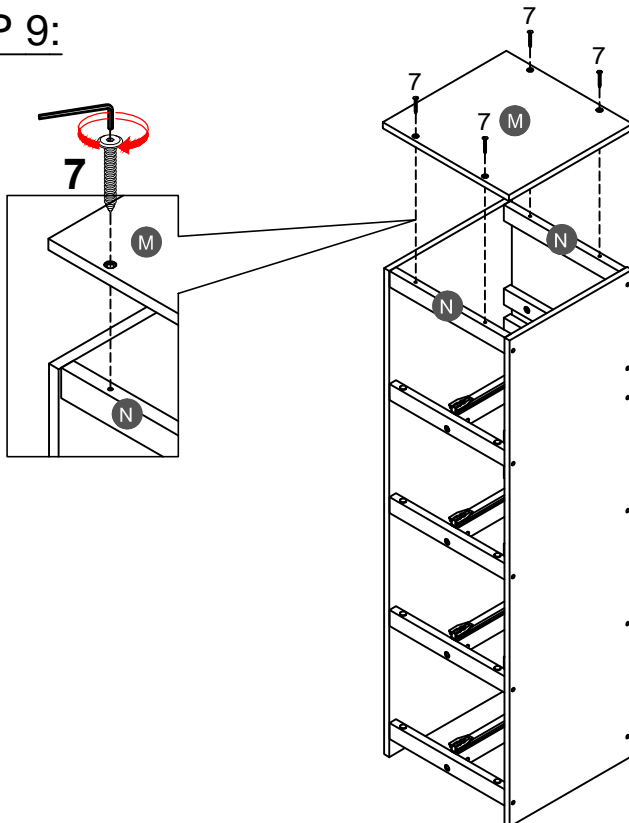
STEP 8:

1		7	
22PCS		22PCS	



STEP 9:

7	
4PCS	

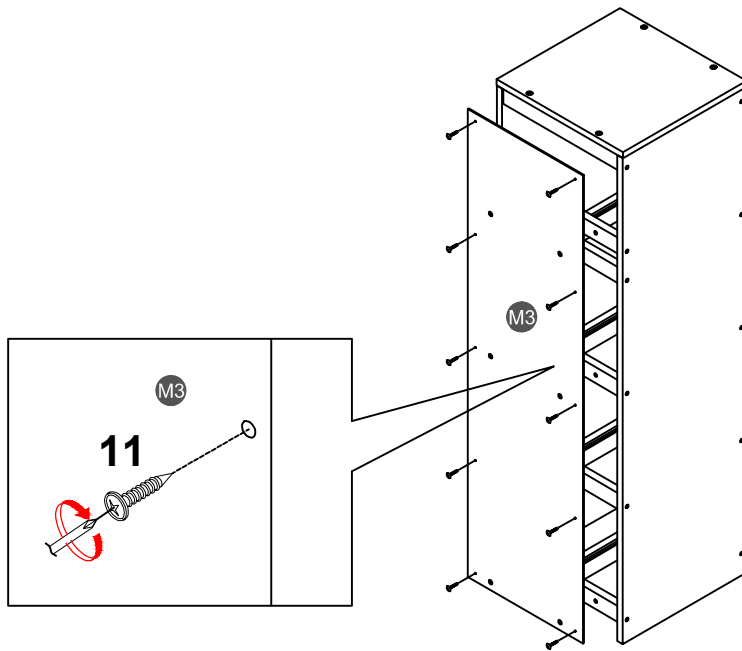


STEP 10:

11



10PCS

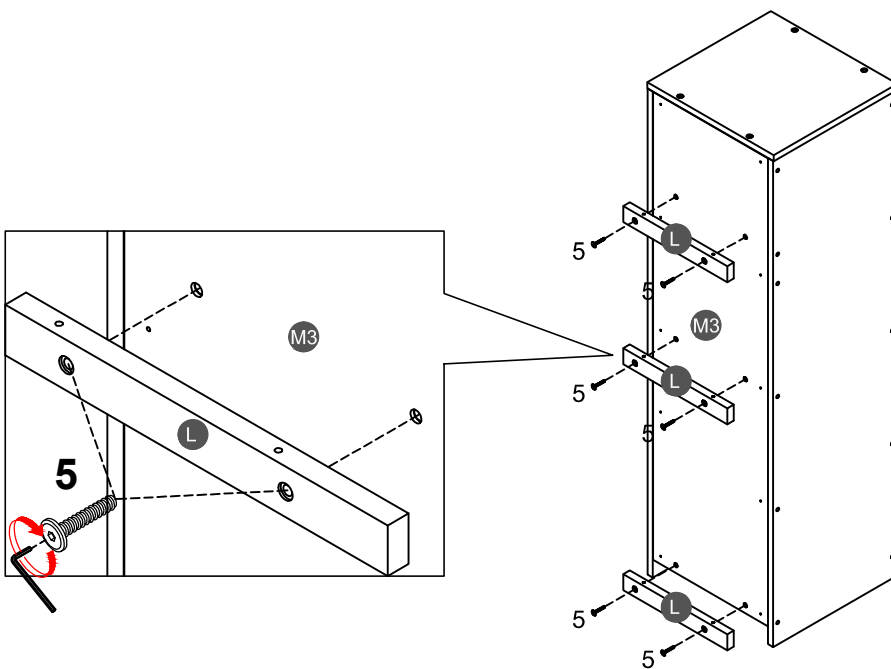


STEP 11:

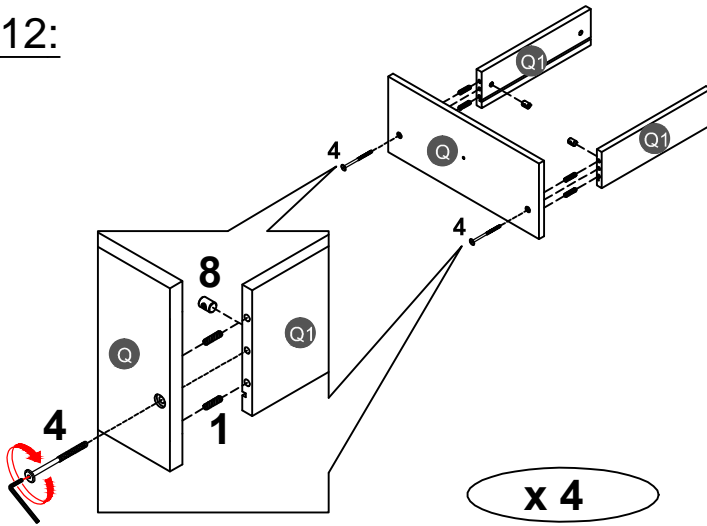
5






6PCS

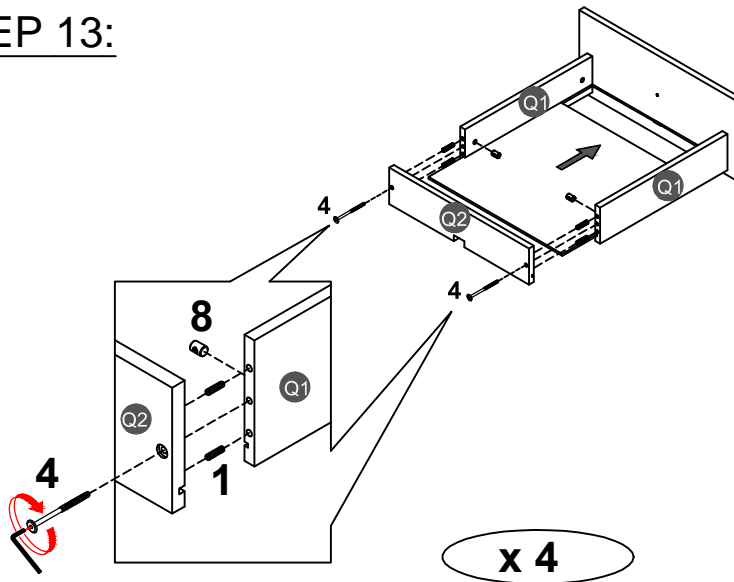





STEP 12:



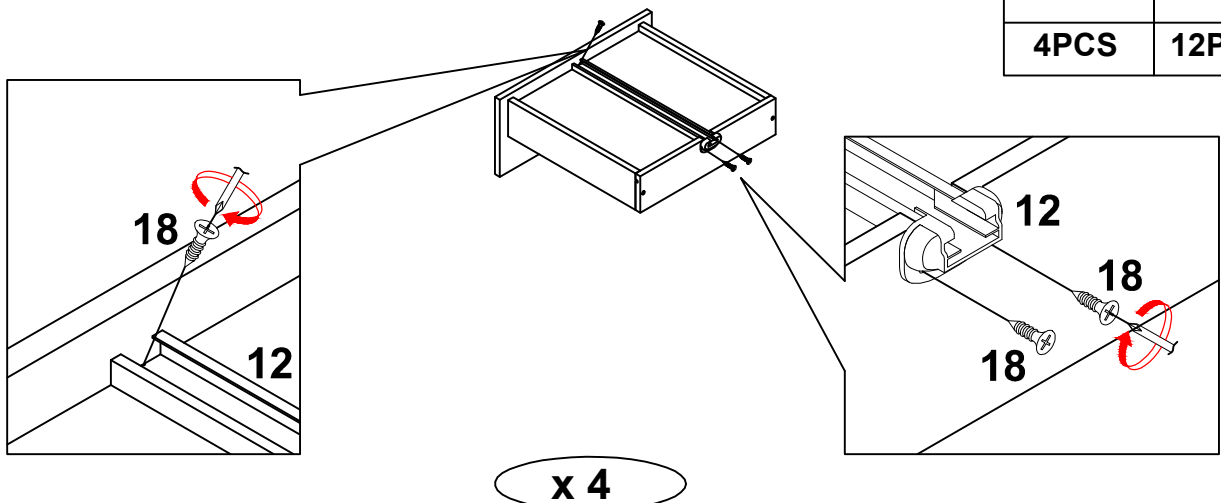
1		8	
16PCS		8PCS	
		4	
		8PCS	



STEP 13:



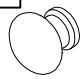

1		8	
16PCS		8PCS	
		4	
		8PCS	

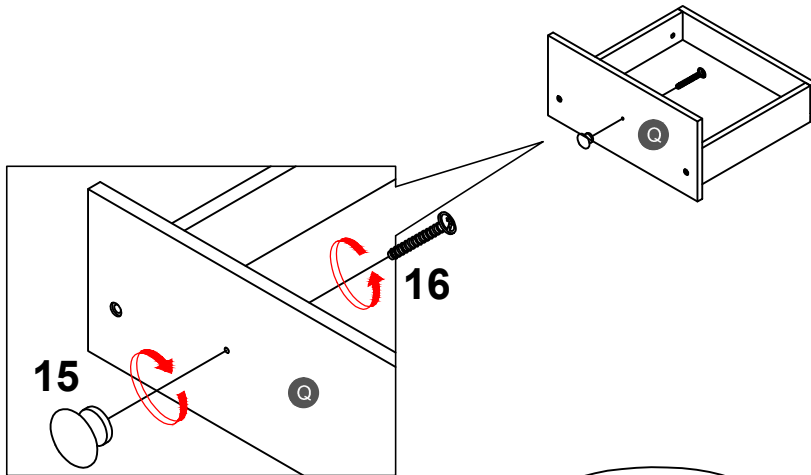
STEP 14:



12		18	
4PCS		12PCS	

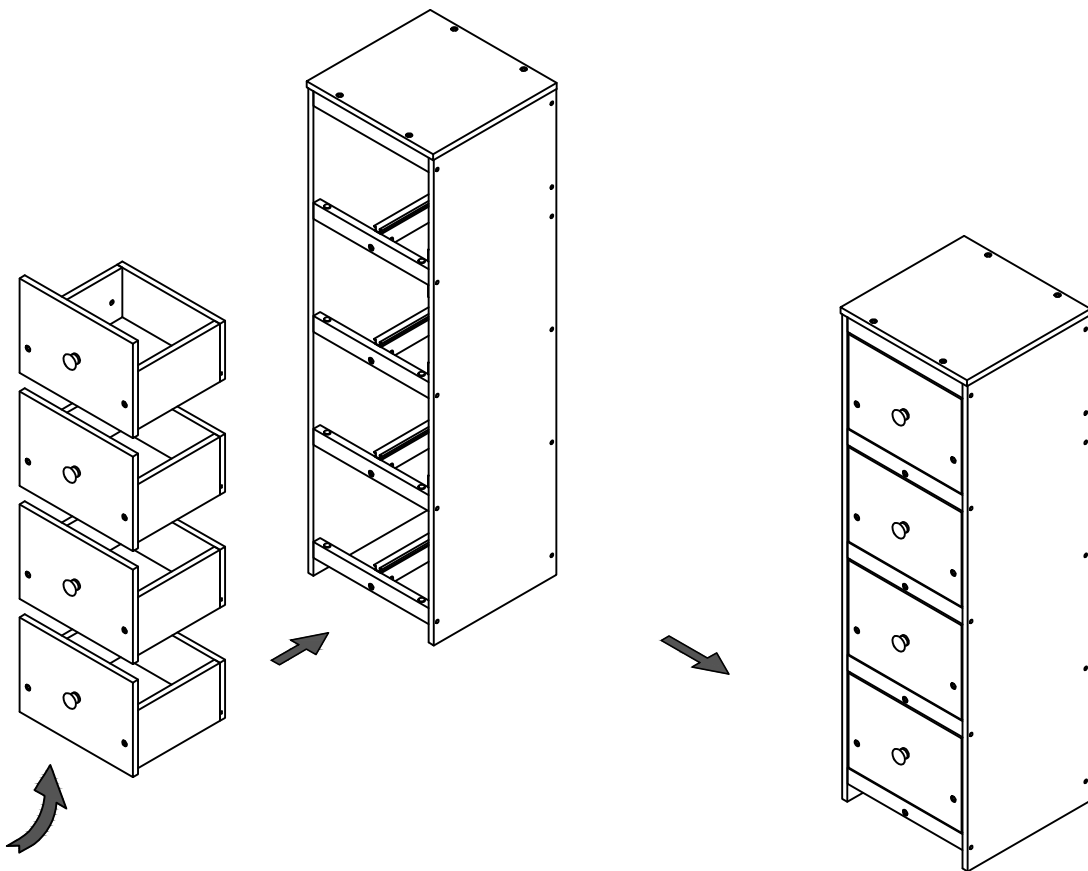
STEP 15:

15	16
	
4PCS	4PCS

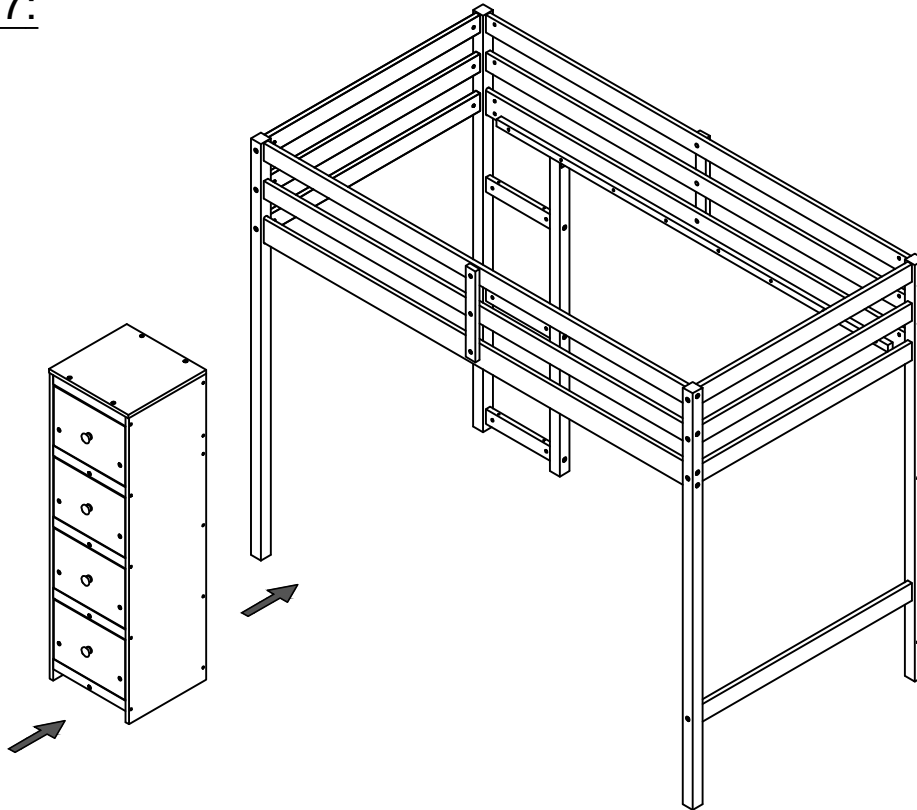


x 4


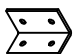

STEP 16:

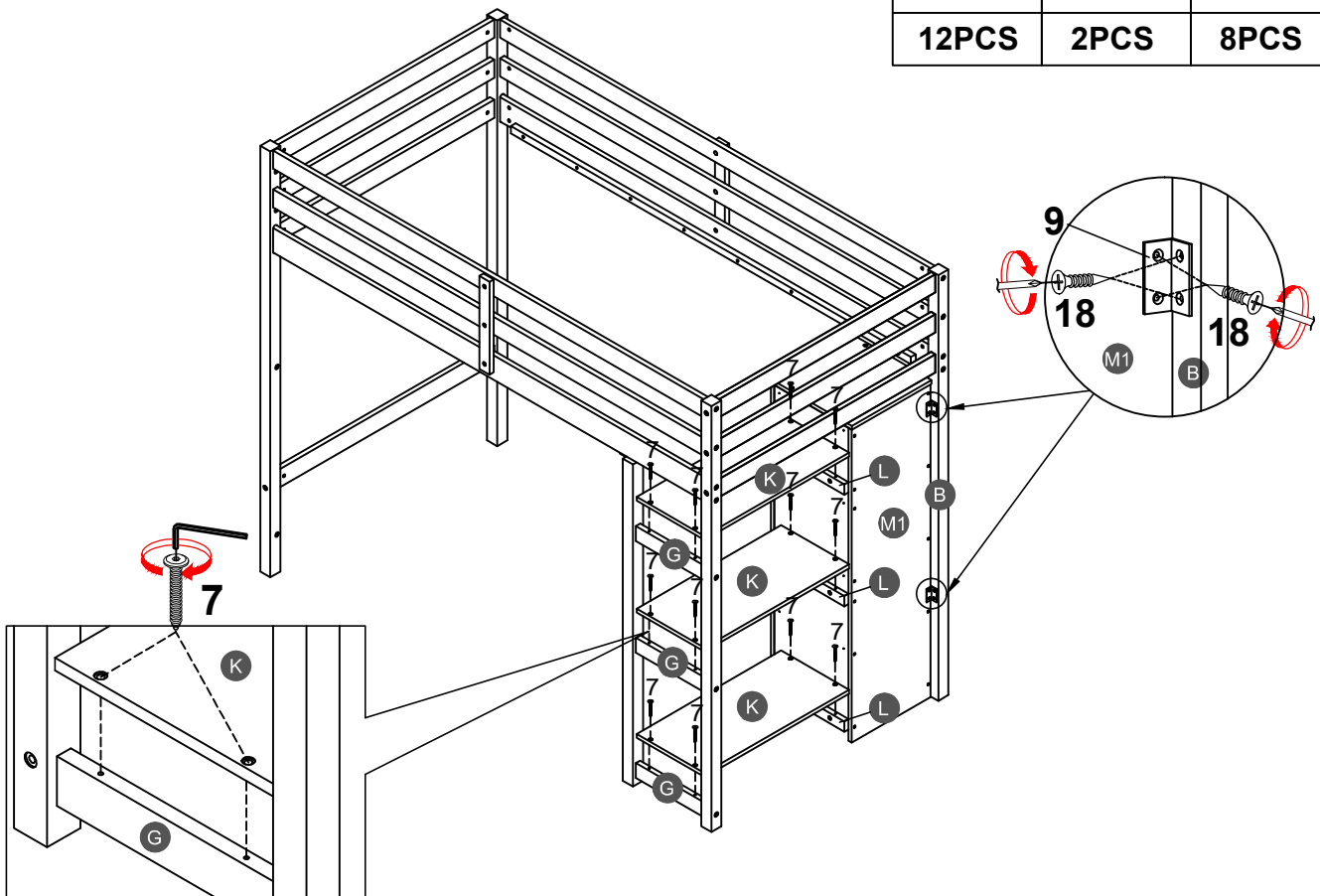


STEP 17:





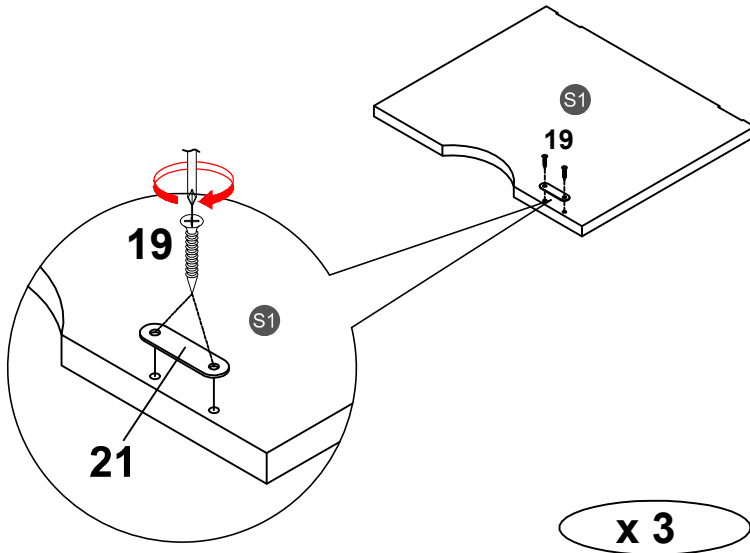
STEP 18:

7 	9 	18 
12PCS	2PCS	8PCS


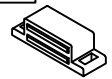


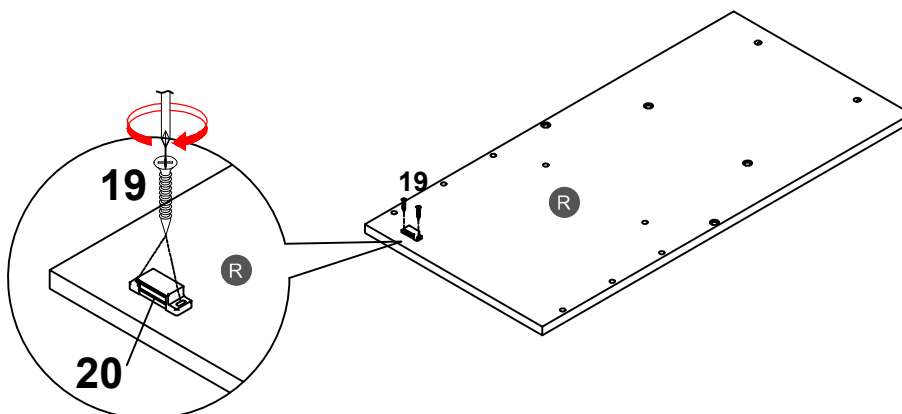
STEP 19:

19		21	
6PCS		3PCS	


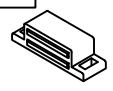


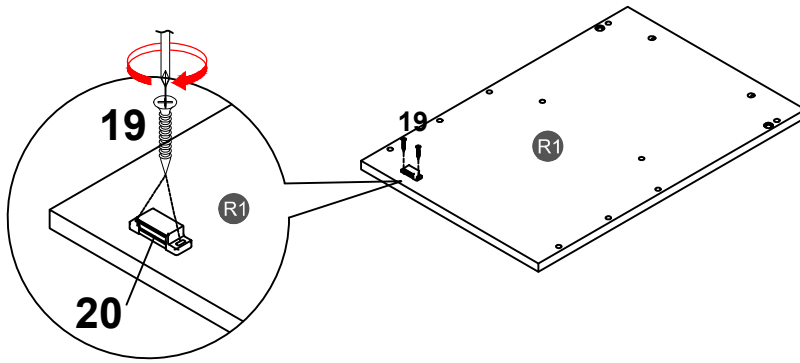
STEP 20:

19		20	
2PCS		1PC	


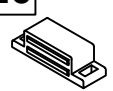


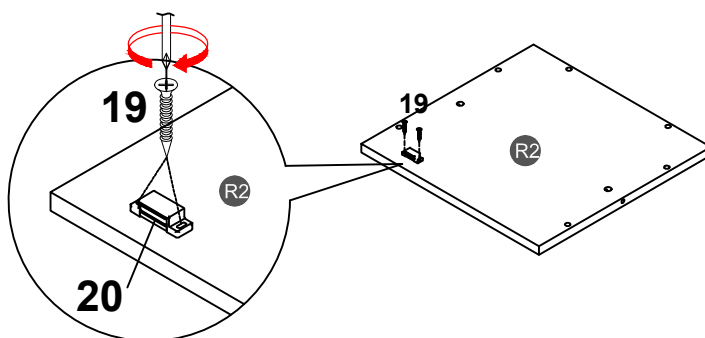
STEP 21:

19		20	
2PCS		1PC	





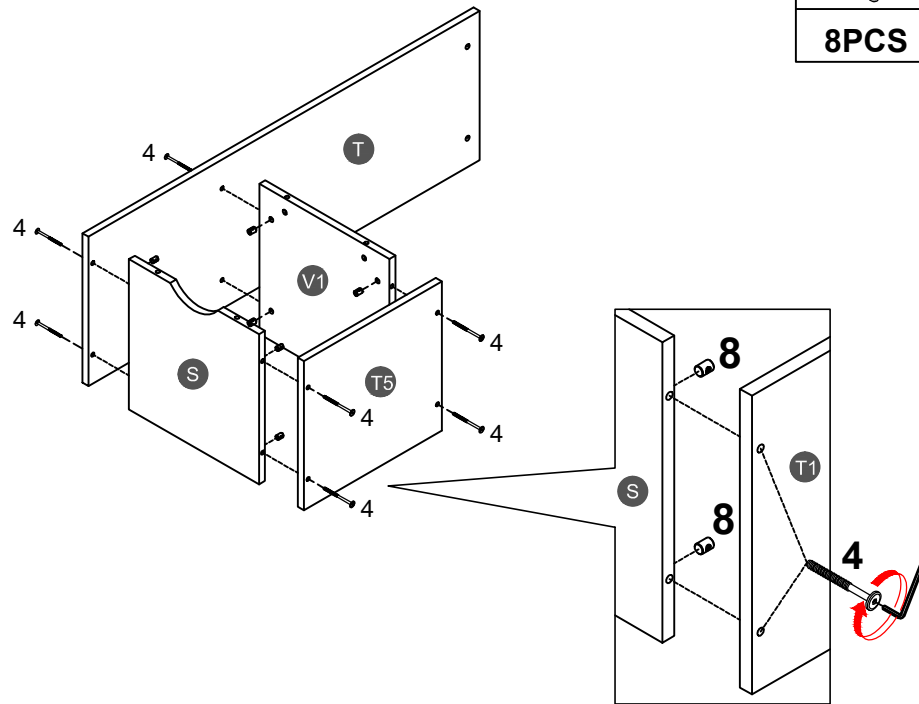
STEP 22:

19		20	
2PCS		1PC	






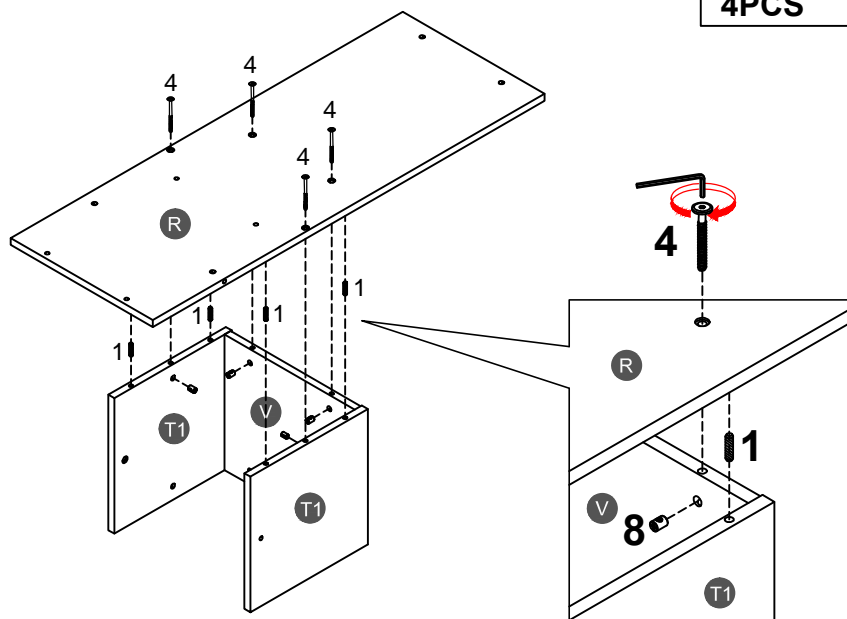
STEP 23:

4		8	
8PCS		8PCS	






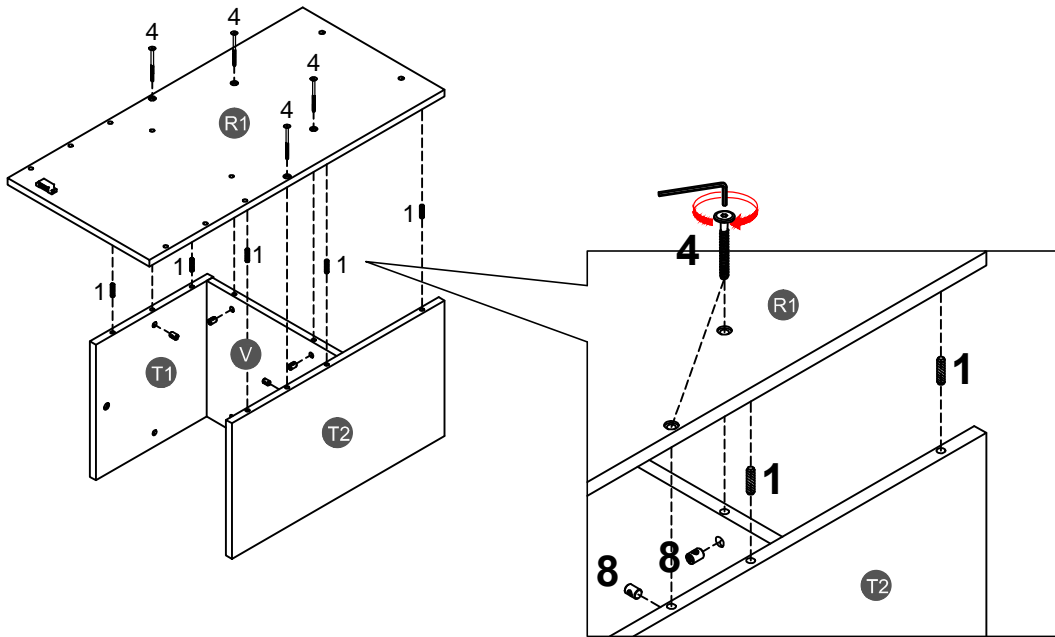
STEP 24:

1		4		8	
4PCS		4PCS		4PCS	





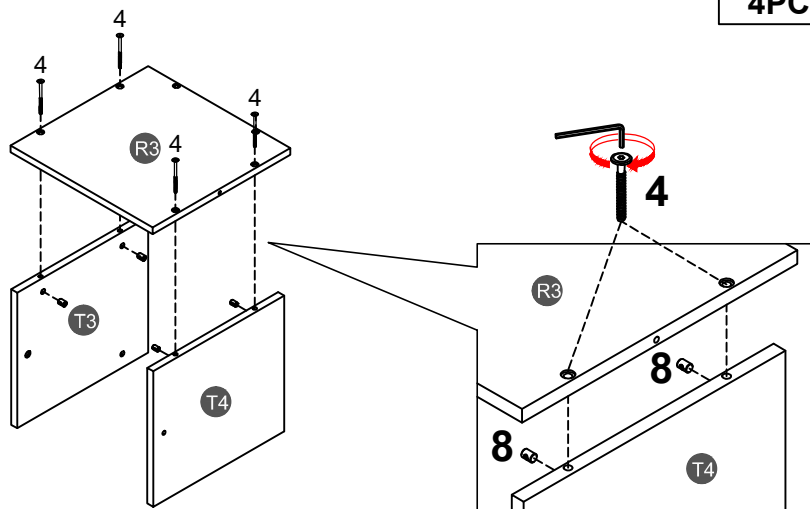
STEP 25:

1 	4 	8 
5PCS	4PCS	4PCS






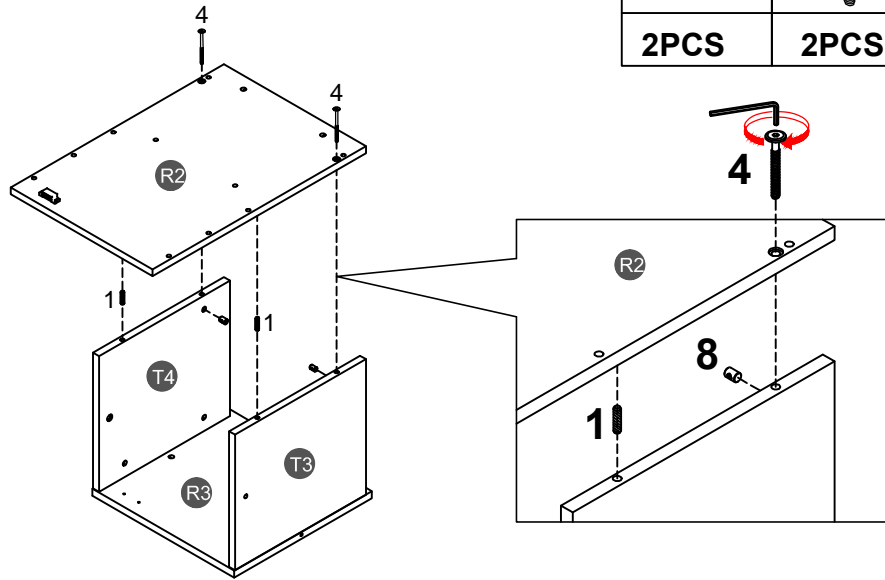
STEP 26:

4 	8 
4PCS	4PCS





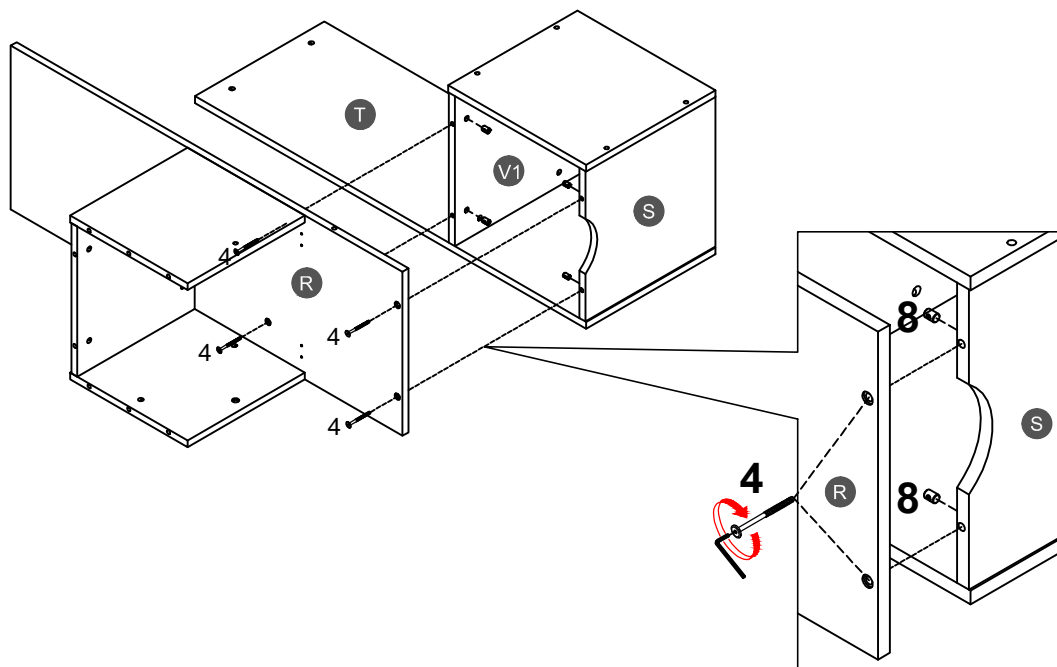
STEP 27:

1		4		8	
2PCS		2PCS		2PCS	






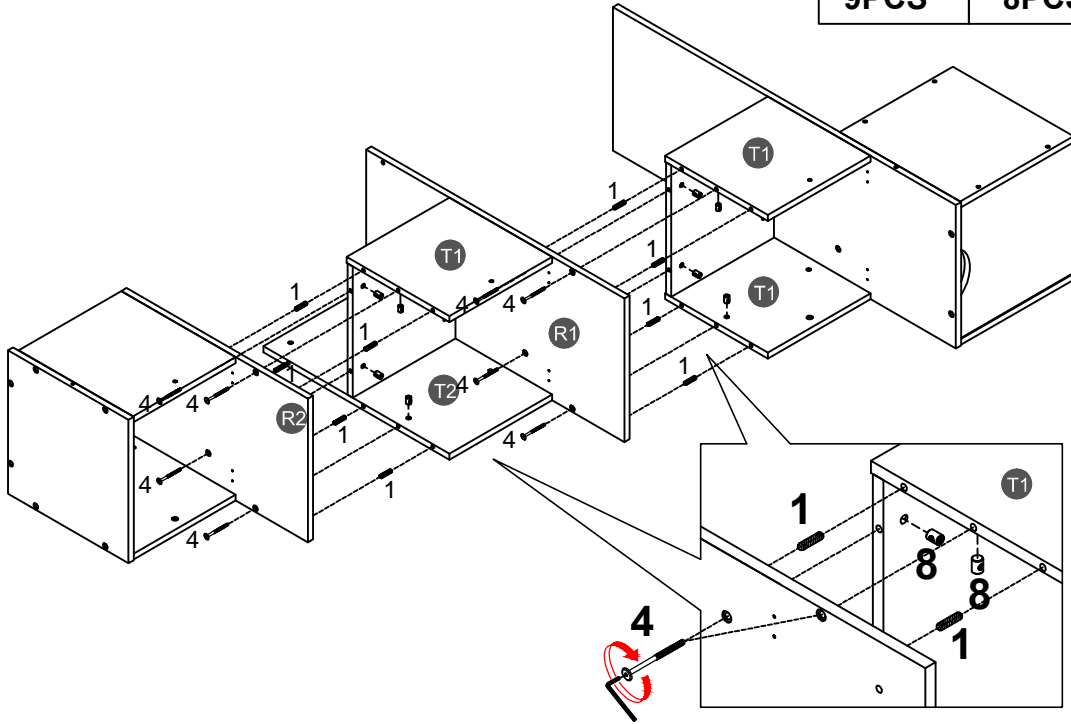
STEP 28:

4		8	
4PCS		4PCS	






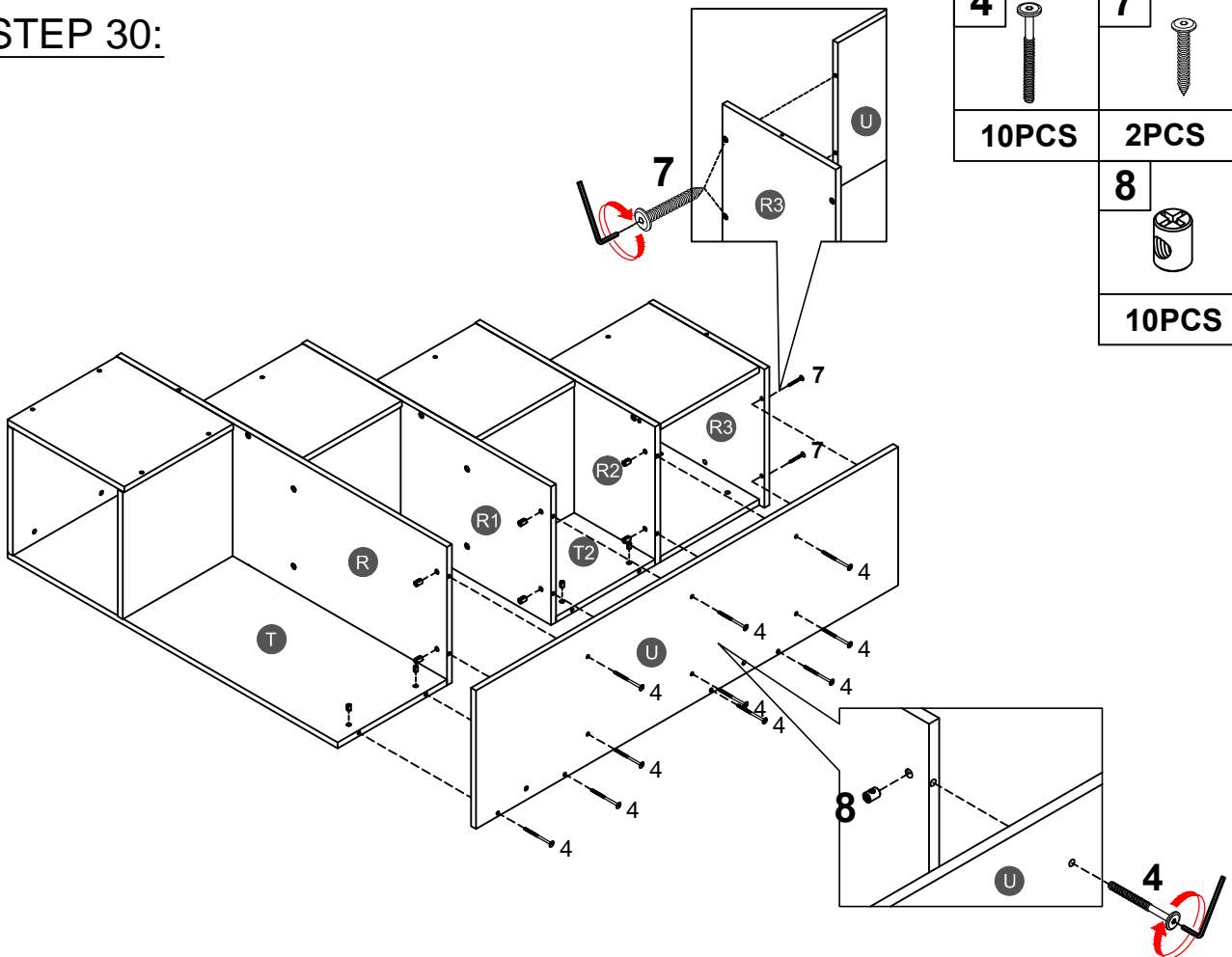
STEP 29:

1		4		8	
9PCS		8PCS		8PCS	




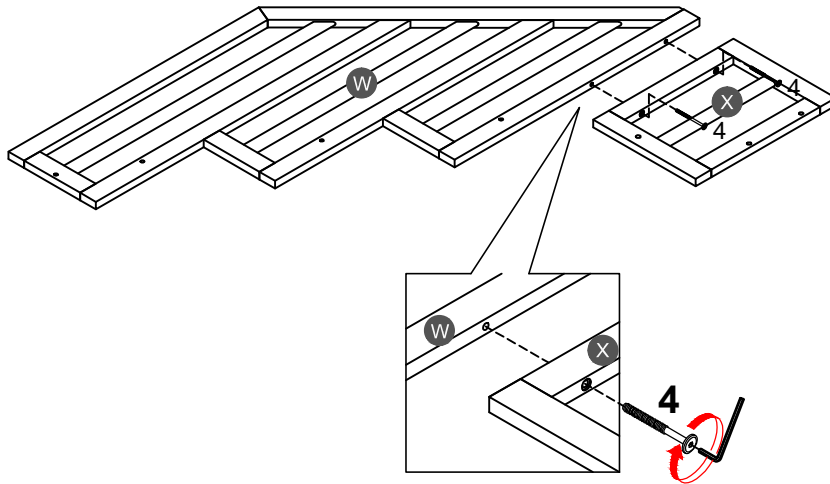
STEP 30:

4		7	
10PCS		2PCS	
		8	
10PCS			


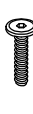



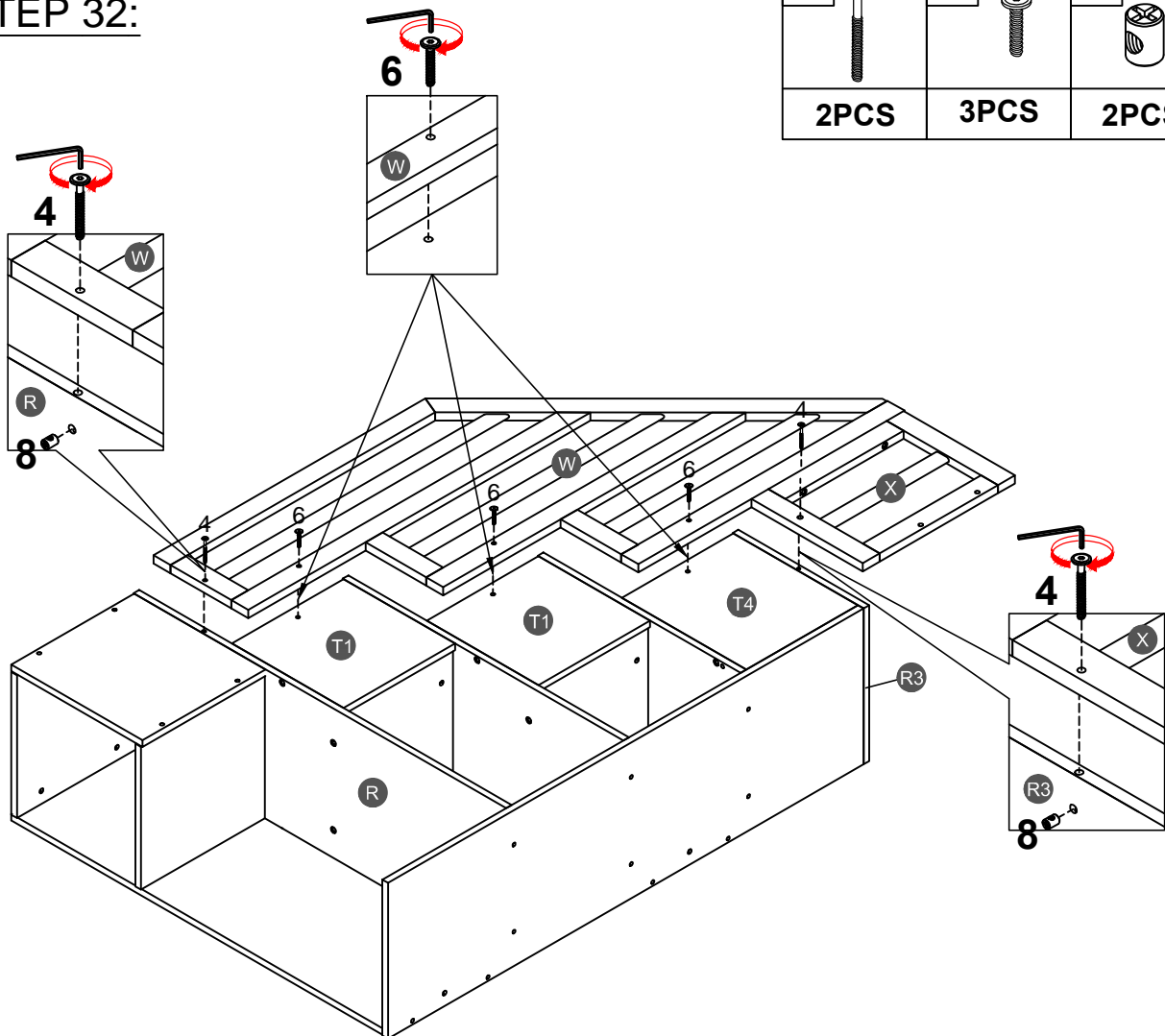
STEP 31:

4	
2PCS	

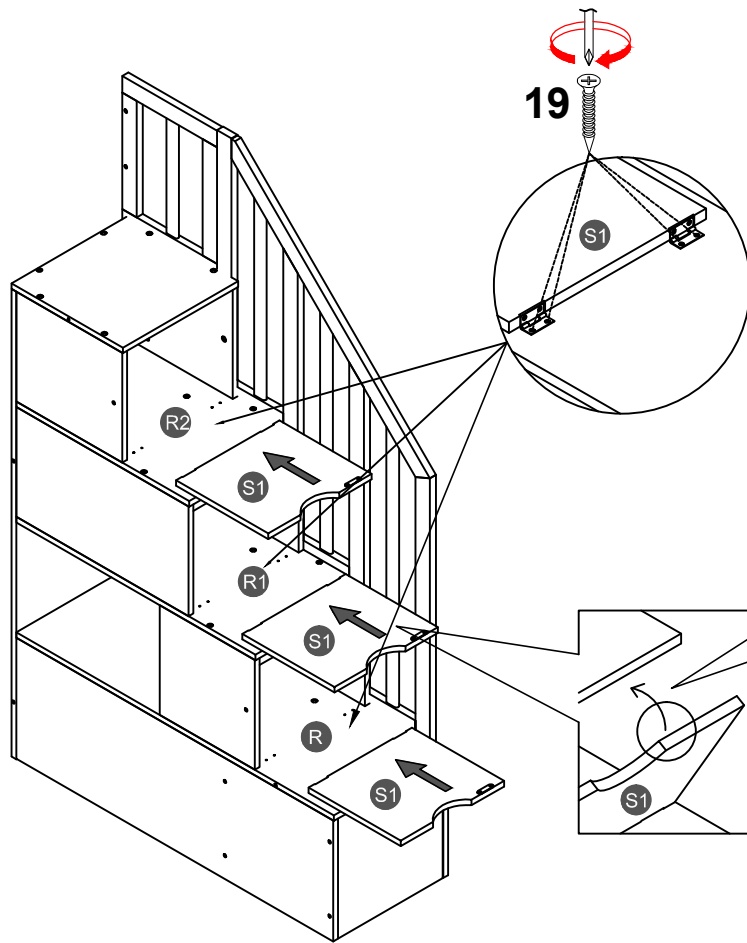


STEP 32:

4	6	8
		
2PCS	3PCS	2PCS

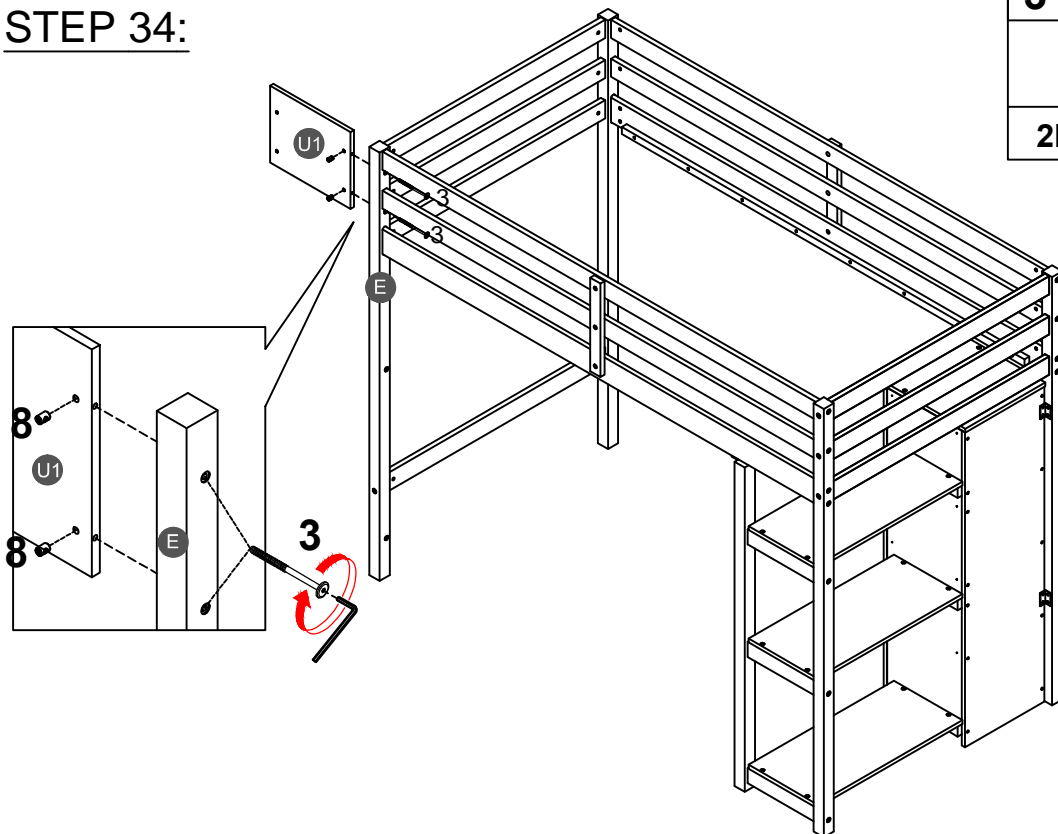


STEP 33:




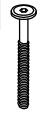



19	
12PCS	

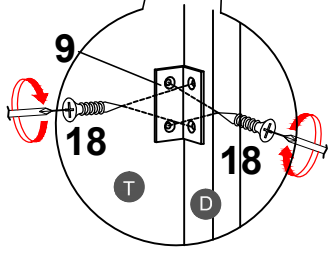
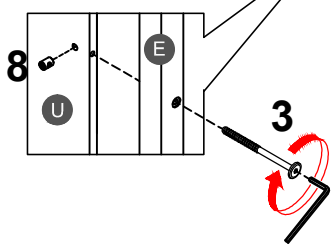
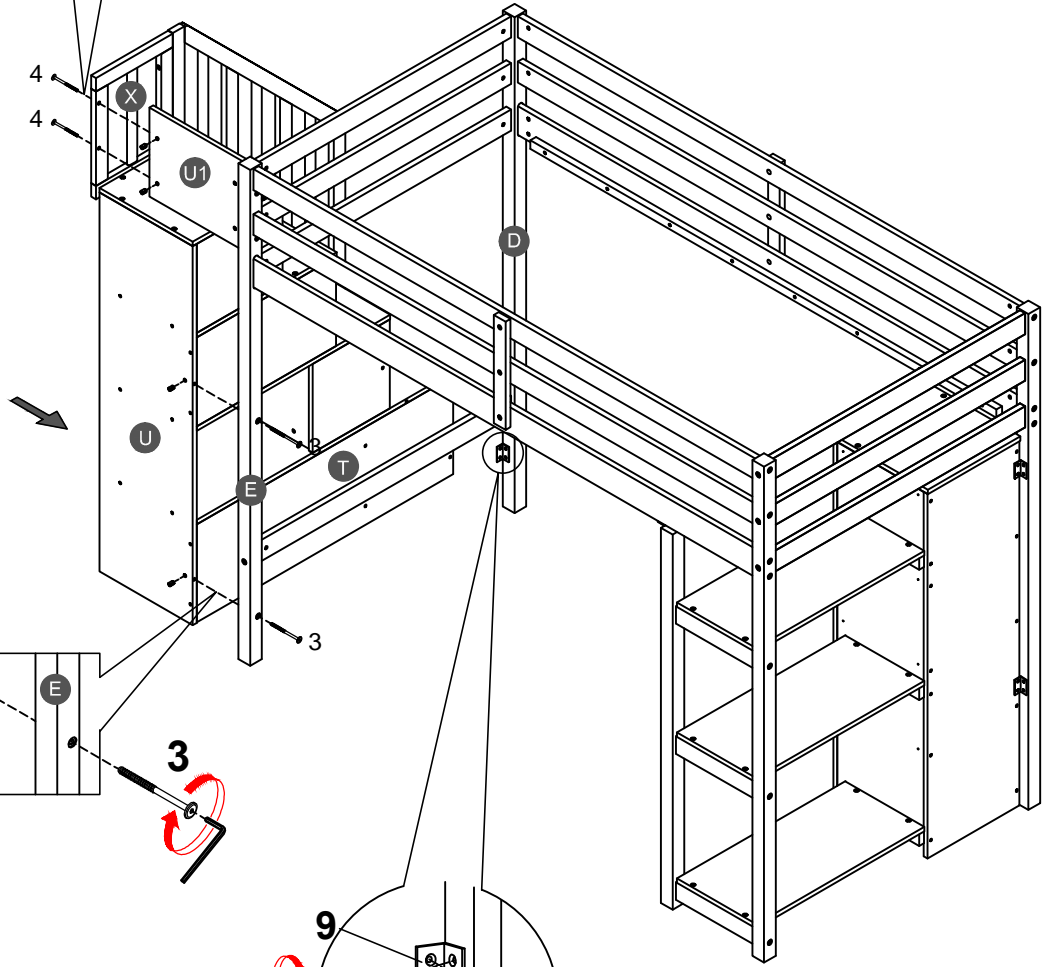
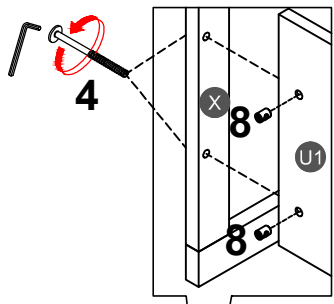
STEP 34:



3		8	
2PCS		2PCS	

STEP 35:

3		4		8		9		18	
2PCS		2PCS		4PCS		1PC		4PCS	

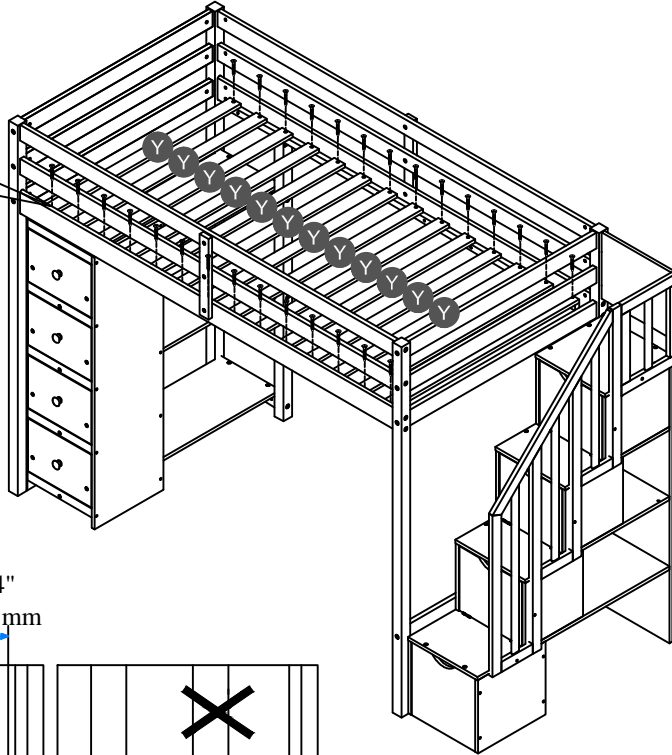
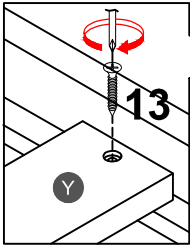


STEP 36:

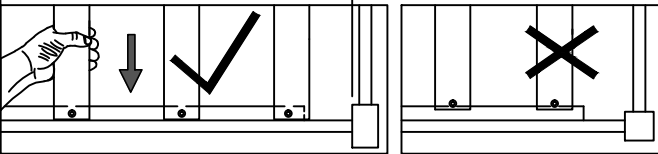
13



28PCS



3.1" 79mm 3.3" 84.5mm 2.4" 61mm



Note: Do not lock the screws of the bed slats to the outermost edge of the bed slats, you need to leave a certain space at the edges, otherwise it will cause the board to break. Do not lock the bed slats on the edge of the wood, please hold firmly before screwing, hold it in place with one hand, then lock the screw.

