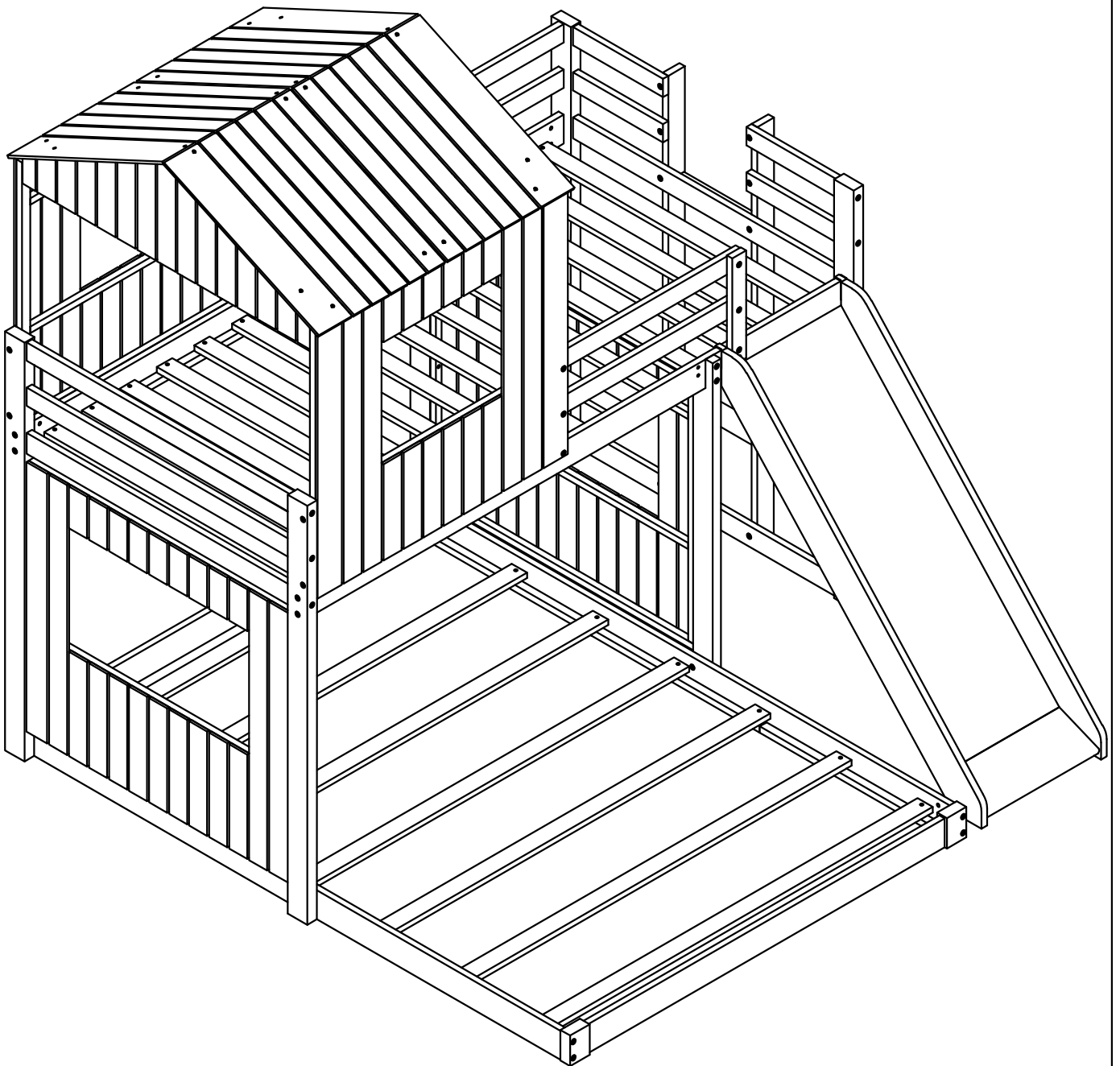


ASSEMBLY INSTRUCTION

SKU CODE: (WF298414-WF298415-WF298416)

This set is included 3 boxes if don't receive full 3 boxes please contact our customer service team



! SAFETY WARNINGS !

1. This bed is designed for use only mattress (es) meeting the following specifications on the upper bunk, and lower bunk

Upper bed

Bed Type	Length	Width	Thickness
<i>Twin Standard</i>	<i>74" - 75"</i>	<i>38 1/2"</i>	<i>6" max</i>

Lower bed

Bed Type	Length	Width	Thickness
<i>Full Standard</i>	<i>74" - 75"</i>	<i>53 1/2"</i>	<i>8" max</i>

2. Replacement parts, including additional guardrails, maybe obtained from any of our (GIGACLOUD TECHNOLOGY (USA) INC. 18961 ARENTH AVENUE CITY OF INDUSTRY, CA, 91748) dealers
3. Follow the information on the warnings appearing on the upper bunk bed end structure and on the carton. Do not remove warning label from bed
4. Always use the recommended size mattresses or mattress supports, or both, to help prevent the likelihood of entrapment or falls.
5. Surface of mattress must be at least 5" (127mm) below the upper edge of guardrails
6. Do not allow children under 6 years of age to use the upper bunk.
7. Periodically check and ensure that the guardrail, ladder, and other components are in their proper position, free from damage, and that all connectors are tight.
8. Do not allow horseplay on or under the bed and prohibit jumping on the bed.
9. Always use the ladder for entering and leaving the upper bunk Always use the ladder for entering and leaving the upper bunk.
10. Do not use substitute part. Contact the manufacture or dealer for replacement part
11. Use of a night light may provide added safety precaution for a child using the upper bunk..
12. Always use guardrails on both long sides of the upper bunk. If the bunk bed will be placed next to the wall, the guardrail that runs the full length of the bed should be placed against the wall to prevent entrapment between the bed and wall.
13. The use of water or sleep flotation mattresses is prohibited
14. **STRANGULATION HAZARD** - Never attach or hang items to any part of the bunk bed that are not designed for use with the bed; for example, but not limited to, hook, belts and jump ropes
15. Keep these instruction for future reference
16. Prohibit more than one person on upper bunk
17. We recommend assembling your bunk bed on the shipping carton to protect your floor or carpet
18. Be certain all staples are out of the box before beginning assembly on the shipping carton.

! SAFETY WARNINGS !

1. At the beginning :

Tighten all hardware.

Check metal parts for rust. If found, sand and repaint using a non-lead-based paint meeting the requirements of 16 CFR 1303.

Check all wood members for deterioration and splinters. Sand down splinters and replace deteriorating wood members.

Rake and check depth of loose fill protective surfacing materials to prevent compaction and to maintain appropriate depth. Replace as necessary.

2. Twice a month

Tighten all hardware.

Rake and check depth of loose fill protective surfacing materials to prevent compaction and to maintain appropriate depth. Replace as necessary.

3. Owners shall be responsible for maintaining the legibility of the warning labels.

4. Disposal Instructions-There shall be instructions advising the owner to disassemble and dispose of the playground equipment in such a way that no unreasonable hazards will exist at the time the playground equipment is discarded.

5. The instructions shall also include the information found in Section 4 of the United States Consumer Product Safety Commission's (USCPSC) Outdoor Home Playground Safety Handbook or specific surfacing guidelines for the product consistent with the USCPSC Handbook. A copy of this section may be found in Appendix X2.

6. Observing the following statements and warnings reduces the likelihood of serious or fatal injury.

7. Specifying the number and weight of occupants that may safely use the equipment singly or simultaneously,

8. Recommending on-site adult supervision for children of all ages,

9. Warning the owner to instruct children not to use the equipment in a manner other than intended,

10. Warning the owner to instruct children not to get off equipment while it is in motion,

11. Warning the owner not to allow children to wear inappropriate items, such as but not limited to, loose fitting clothing, hood and neck drawstrings, scarves, cord-connected items, capes and ponchos. These items can cause death by strangulation.

12. Warning the owner to instruct children not to climb when the equipment is wet.

13. Warning the owner to instruct children not to attach items to the playground equipment that are not specifically designed for use with the equipment, such as, but not limited to, jump ropes, clothesline, pet leashes, cables and chain as they may cause a strangulation hazard

14. Warning the owner to instruct children to remove their bike or other sports helmet before playing on the playground equipment.

15. Warning the owner to dress children with well-fitting and full foot enclosing footwear. Examples of inappropriate footwear are clogs, flip flops, and sandals.

16. Place the equipment on level ground, not less than 6 ft (1.8 m) from any structure or obstruction such as a fence, garage, house, overhanging branches, laundry lines, or electrical wires

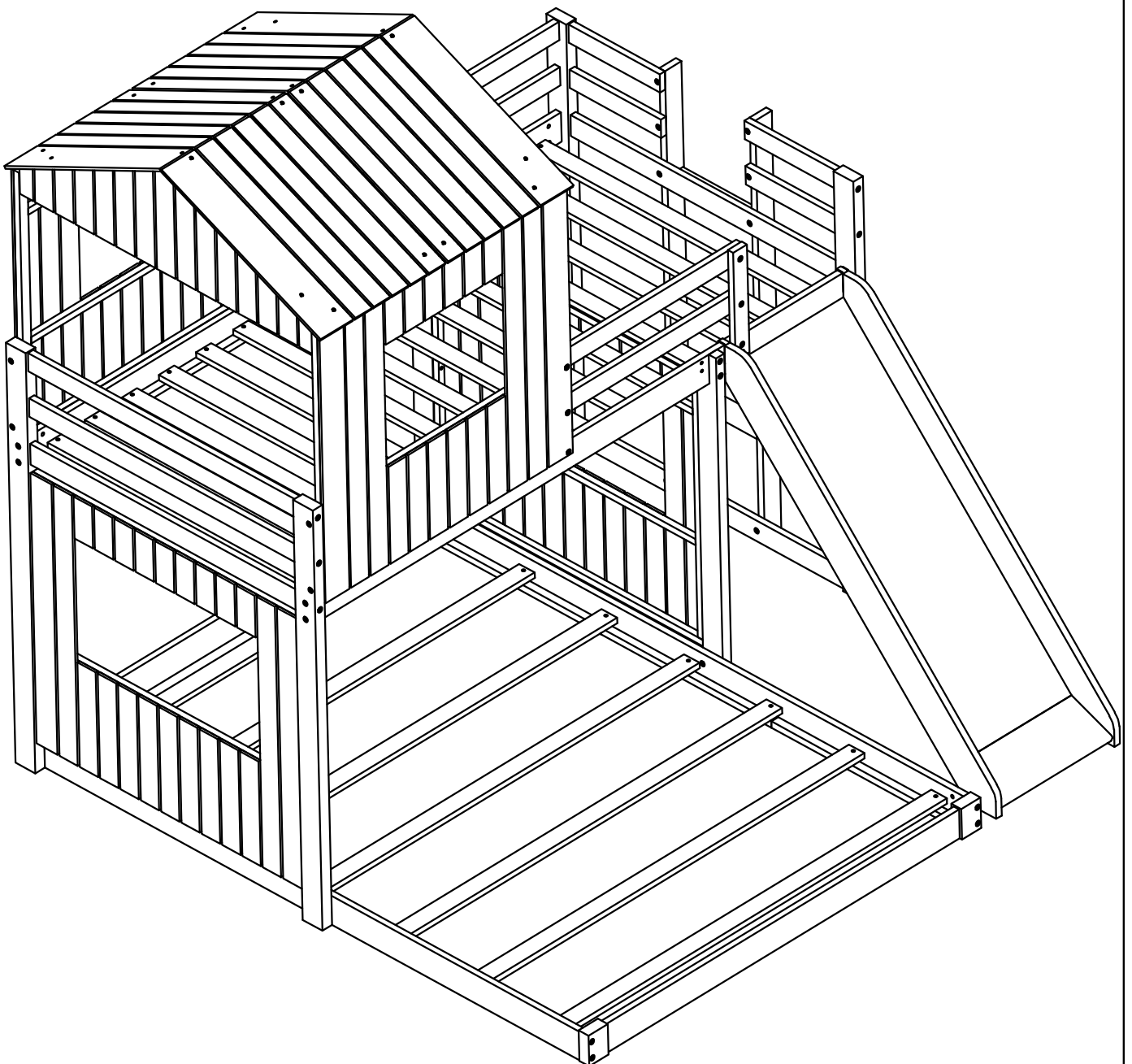
17. Do not install home playground equipment over concrete, asphalt, packed earth, grass, carpet, or any other hard surface. A fall onto a hard surface can result in serious injury or death to the equipment user

18. To prevent serious injury, cautionary statements shall be included which warn that children must not use the equipment until properly installed.

ASSEMBLY INSTRUCTION

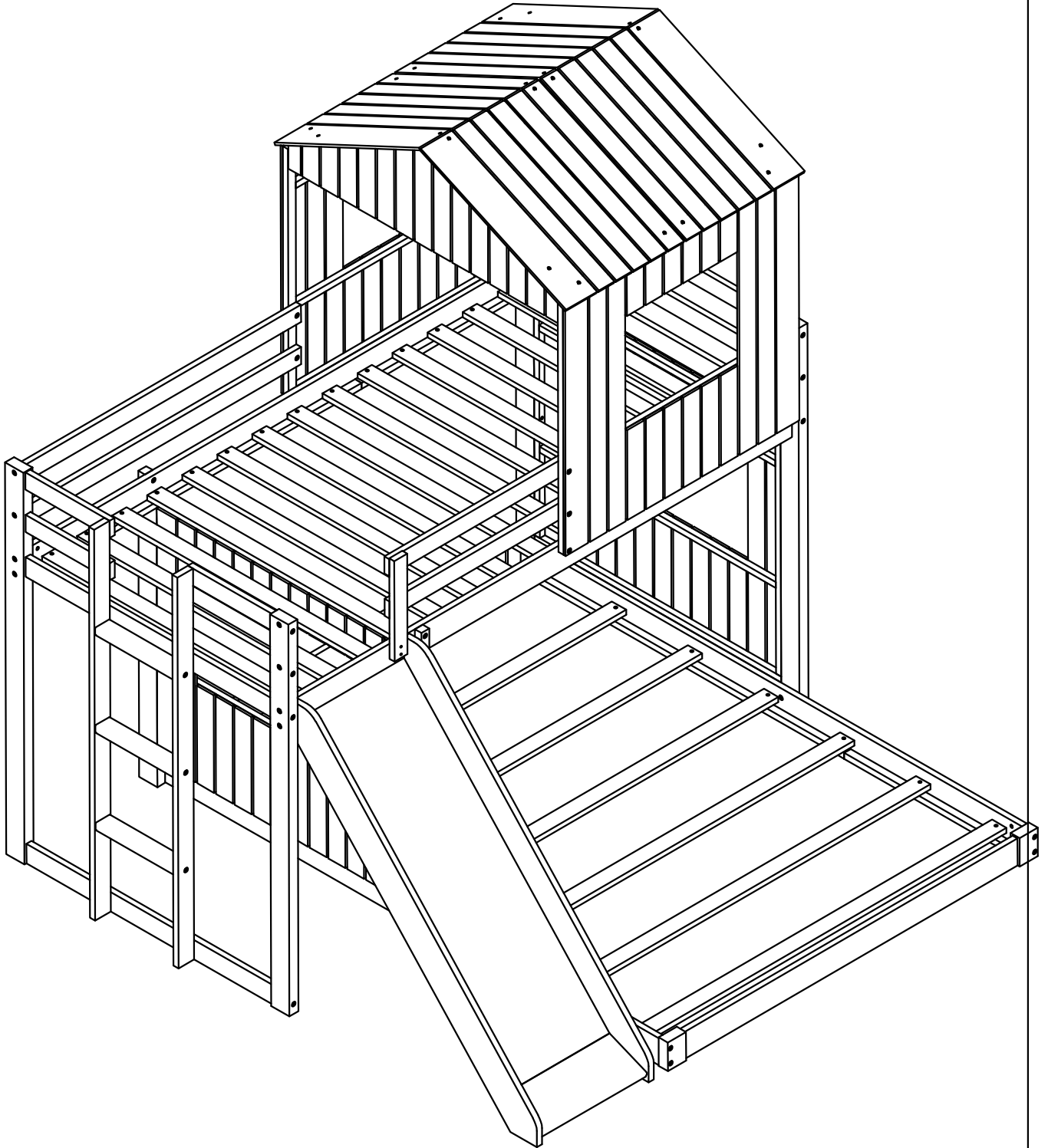
This item can be assemble full bed Right (OPTION 1) or Left (option 2)

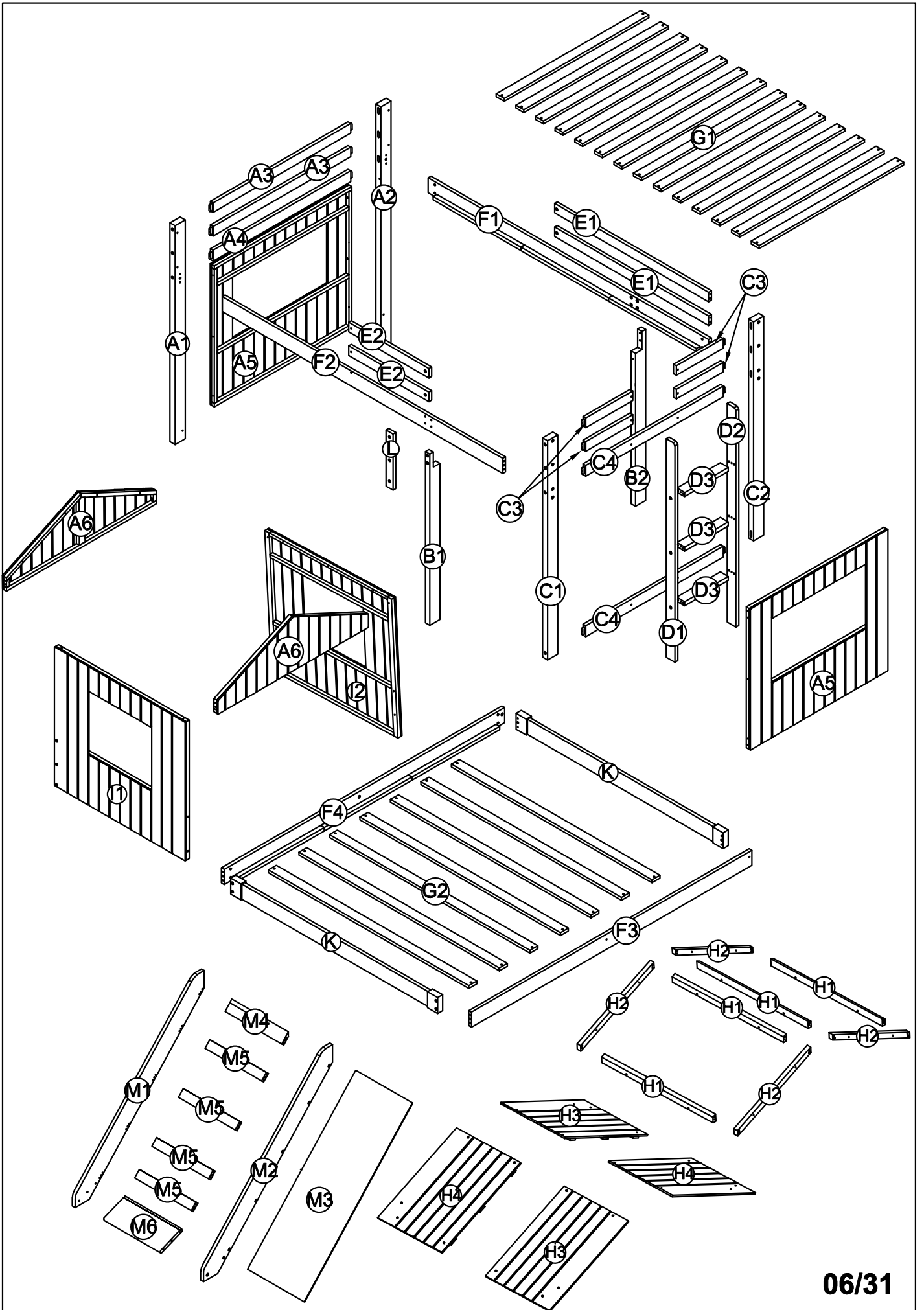
HOUSE BED OPTION 1 (Slide on the right side)



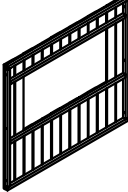
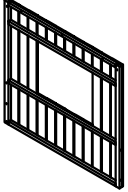

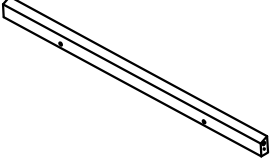
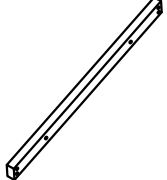
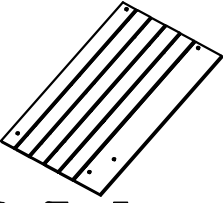
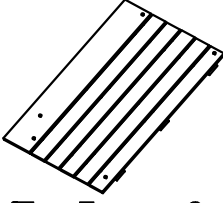
**HOUSE BED OPTION 2
(Slide on the left side)**

**if you are using option 1, you want to
using to option 2, start from step 18**

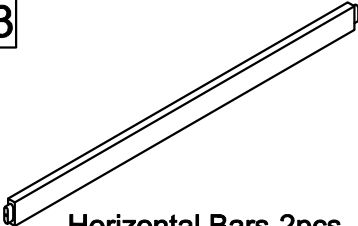
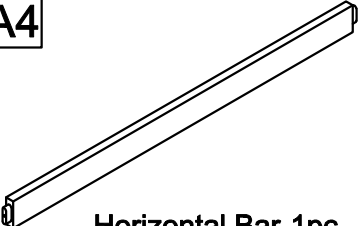
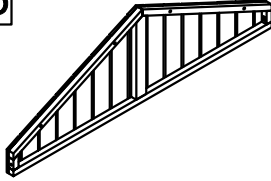
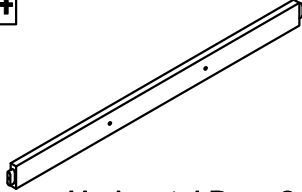
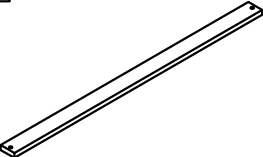
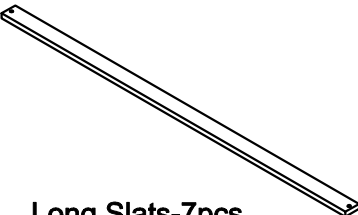


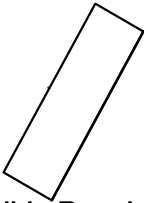
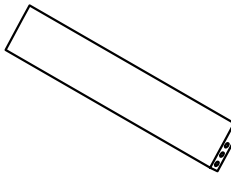
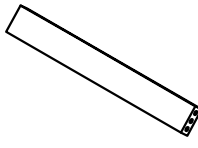
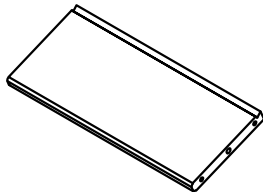

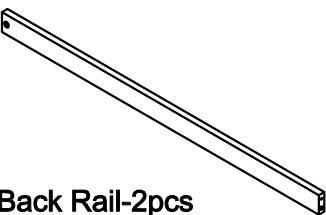
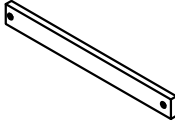








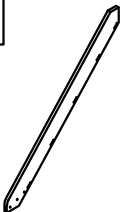
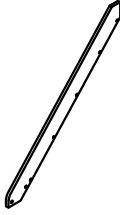


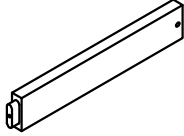
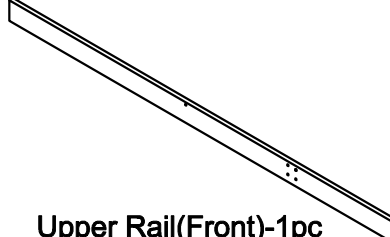
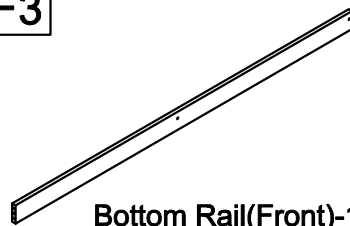
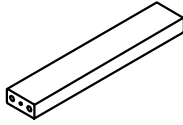
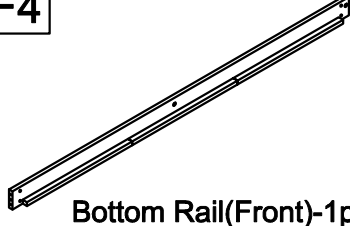
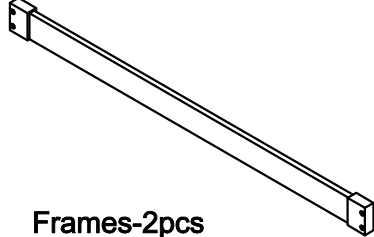
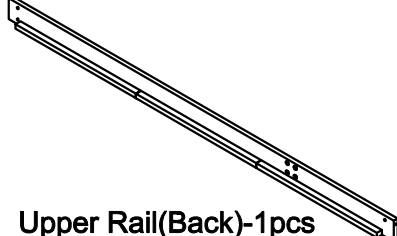
Part List(Box 1-WF298414)

A5  Side Frames-2pcs	I2  Back Frame-1pc	I1  Front Frame-1pc
H1  RoofTop-Wood Bars-4pcs	H2  RoofTop-Wood Bars-4pcs	H3  RoofTop-Frames-2pcs
H4  RoofTop-Frames-2pcs		


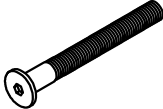

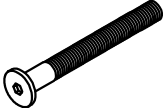
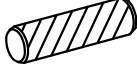





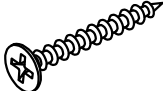

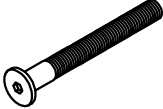
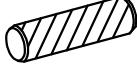
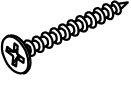
Part List(Box 2-WF298415)

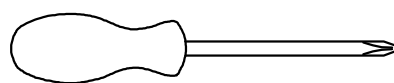
<p>A3</p>  <p>Horizontal Bars-2pcs</p>	<p>A4</p>  <p>Horizontal Bar-1pc</p>	<p>A6</p>  <p>Side Frames-2pcs</p>
<p>C4</p>  <p>Horizontal Bars-2pcs</p>	<p>G1</p>  <p>Short Slats-14pcs</p>	<p>G2</p>  <p>Long Slats-7pcs</p>
<p>D1</p>  <p>Side Ladder-1pc</p>	<p>D2</p>  <p>Side Ladder-1pc</p>	<p>M3</p>  <p>Top slide Panel-1pc</p>
<p>M4</p>  <p>Bottom Slide Bar-1pc</p>	<p>M5</p>  <p>Bottom Slide Bars-4pcs</p>	<p>M6</p>  <p>Bottom Slide Bar-1pc</p>
<p>L</p>  <p>Vertical Bar-1pc</p>	<p>E1</p>  <p>Back Rail-2pcs</p>	<p>E2</p>  <p>Front Rail-2pcs</p>
<p>B1</p>  <p>Leg(Front-Middle)-1pc</p>	<p>B2</p>  <p>Leg(Front-Middle)-1pc</p>	

Part List& Hardware List (Box 3-WF298416)

<p>A1</p>  <p>Leg(Front-Left)-1pc</p>	<p>A2</p>  <p>Leg(Back-Left)-1pc</p>	<p>M1</p>  <p>Side Slide-1pc</p>
<p>M2</p>  <p>Side Slide-1pc</p>	<p>C1</p>  <p>Leg(Front-Right)-1pc</p>	<p>C2</p>  <p>Leg(Back-Right)-1pc</p>
<p>C3</p>  <p>Horizontal Bars-4pcs</p>	<p>F2</p>  <p>Upper Rail(Front)-1pc</p>	<p>F3</p>  <p>Bottom Rail(Front)-1pc</p>
<p>D3</p>  <p>Step Ladders-3pcs</p>	<p>F4</p>  <p>Bottom Rail(Front)-1pc</p>	<p>K</p>  <p>Frames-2pcs</p>
<p>F1</p>  <p>Upper Rail(Back)-1pcs</p>		

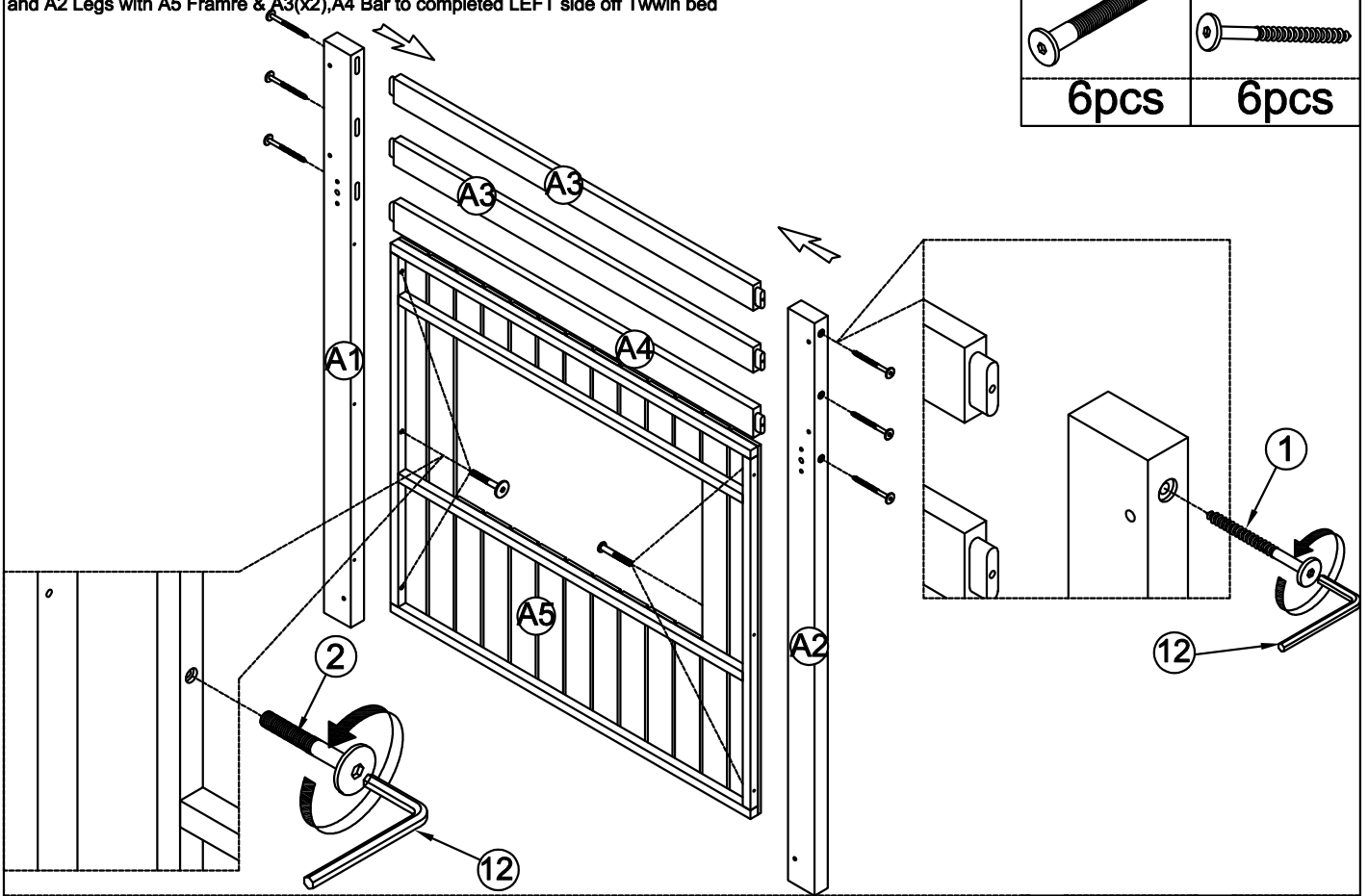
Hardware List (Box 3-WF298416)

<p>1</p>  <p>Screws 1/4" x100 14pcs</p>	<p>2</p>  <p>Ø1/4" x 30 mm Hex-Head bolts 27pcs</p>	<p>3</p>  <p>Screw 1/4" x 50 mm 28pcs</p>
<p>4</p>  <p>Ø1/4" x 35 mm Hex-Head bolts 28cs</p>	<p>5</p>  <p>Ø10x40mm Wood dowel 22pcs</p>	<p>6</p>  <p>Ø1/4" x 80 mm Hex-Head bolts 16pcs</p>
<p>7</p>  <p>Ø1/4" x 15 mm Canopy head through -15pcs</p>	<p>8</p>  <p>Bracket 2pcs</p>	<p>9</p>  <p>Ø1/4" x 13 mm Horizontal-Hole bolts 16pcs</p>
<p>10</p>  <p>Screws 1/4" x70 2pcs</p>	<p>11</p>  <p>M4 x 30 mm Wood Screws 42pcs</p>	<p>12</p>  <p>Allen Key 1pc</p>
<p>13</p>  <p>Ø1/4" x 50 mm Hex-Head bolts 4pcs</p>	<p>14</p>  <p>Ø8x30mm Wood dowel 30pcs</p>	<p>15</p>  <p>M4 x 20 mm Wood Screws 26pcs</p>



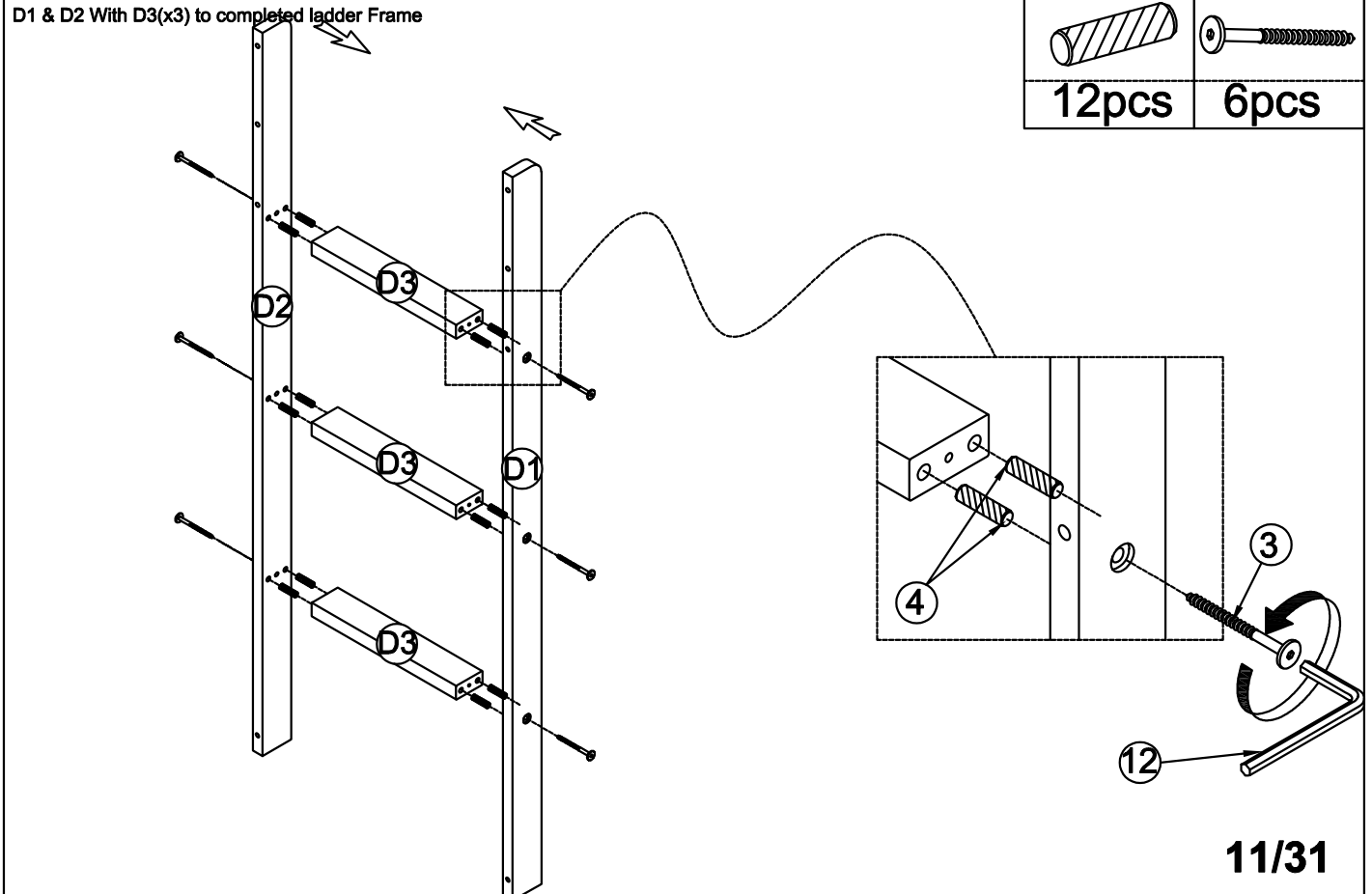
Assembly Tools Required (Not included)

STEP 1: Following below illustration Assembly Headboard. Using HW #1, #2 connect A1 and A2 Legs with A5 Frame & A3(x2), A4 Bar to completed LEFT side off Twin bed



2	1
6pcs	6pcs

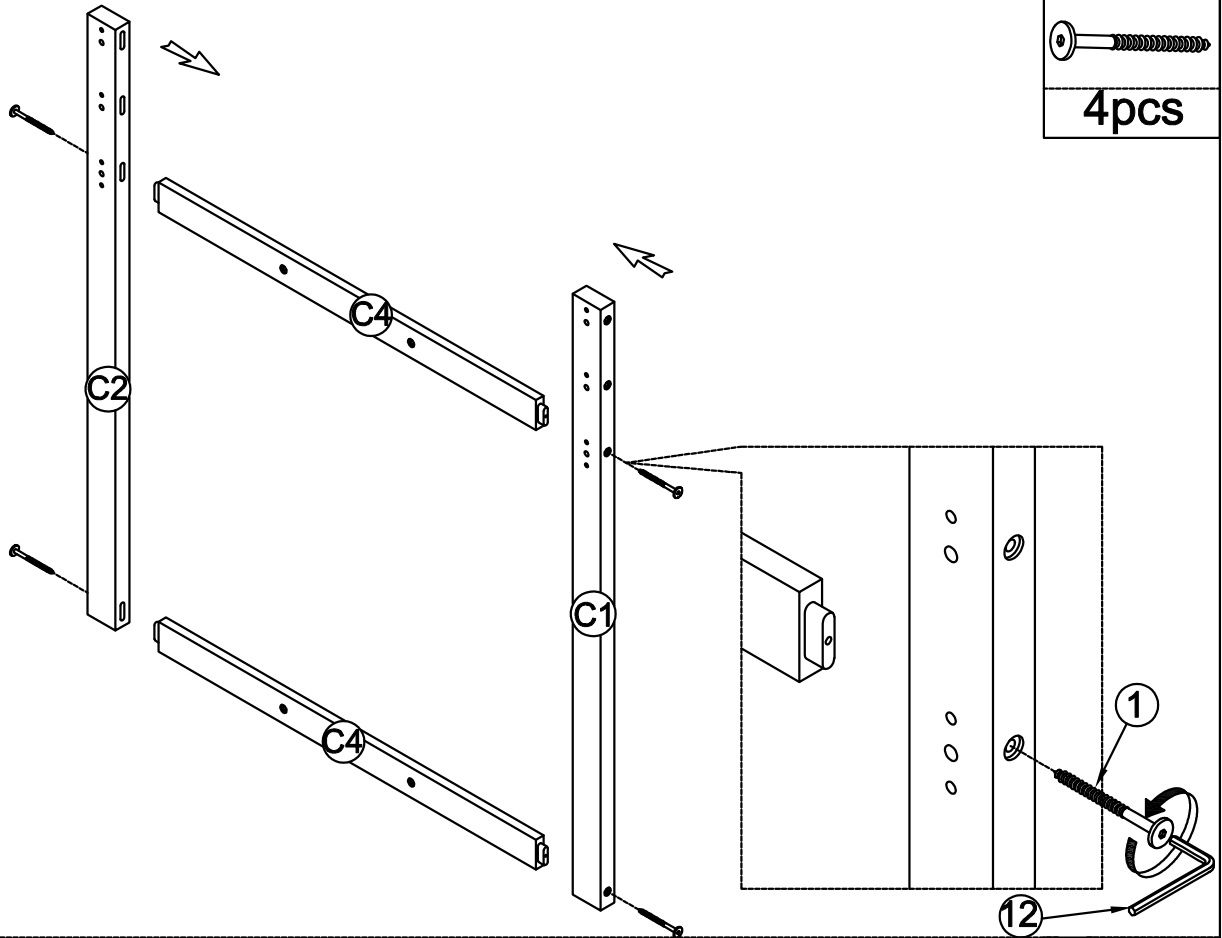
STEP 2-1: Following below illustration Assembly Ladder. Using HW #3 and Dowel #5 connect D1 & D2 With D3(x3) to completed ladder Frame



5	3
12pcs	6pcs

STEP 2-2:

Following below illustration Assembly Footboard. Using HW #1 connect C1, C2 Legs With C4(x2)



1

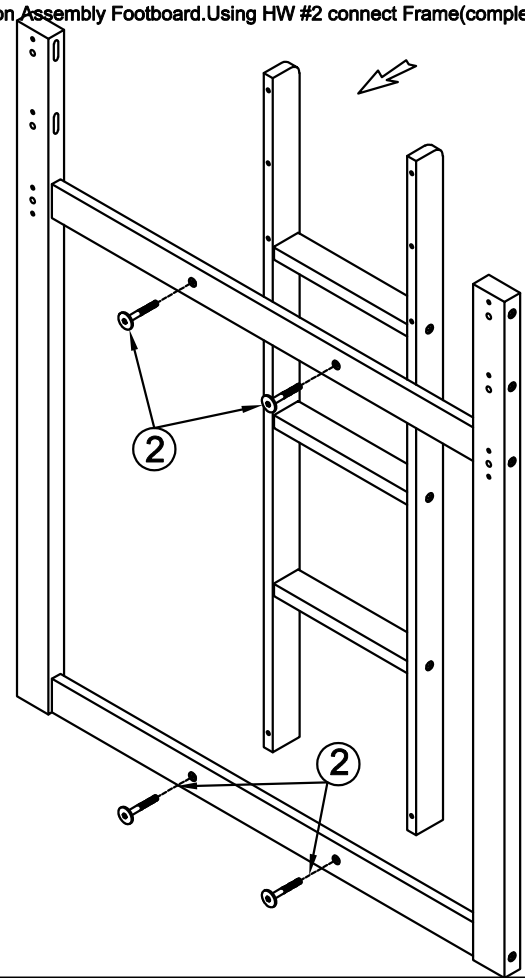


4pcs

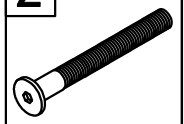
STEP 2-3:

Following below illustration Assembly Footboard. Using HW #2 connect Frame (completed on step 2-2)

With Ladder Frame (completed on step 2-1)



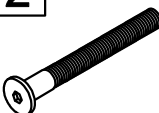
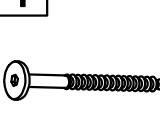
2

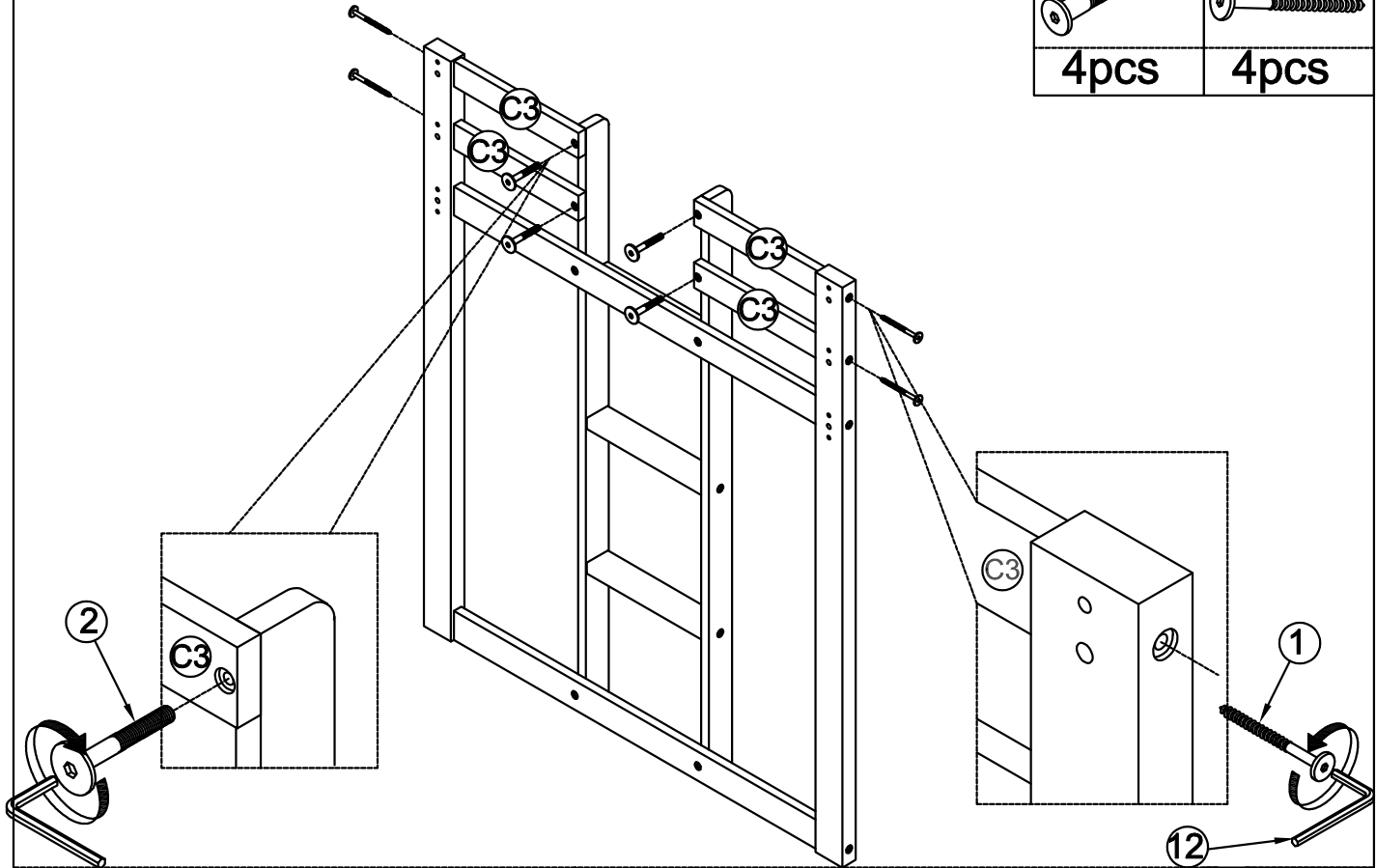


4pcs

STEP 2-4:

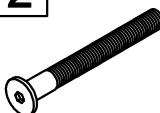
Following below illustration Assembly Footboard. Using HW #1, #2 connect Frame
(completed on step 2-3) With C3(x4)

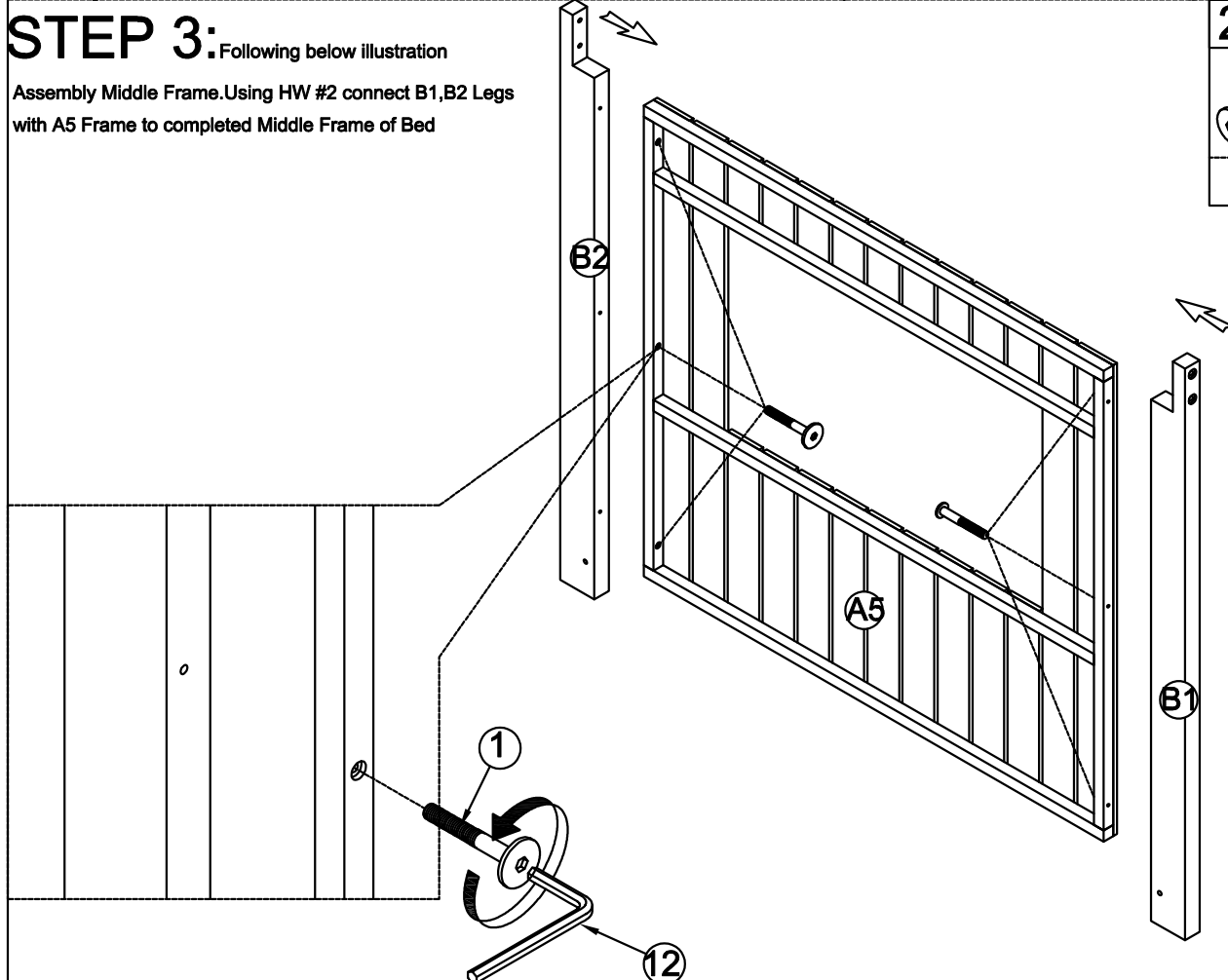
2	1
	
4pcs	4pcs



STEP 3:

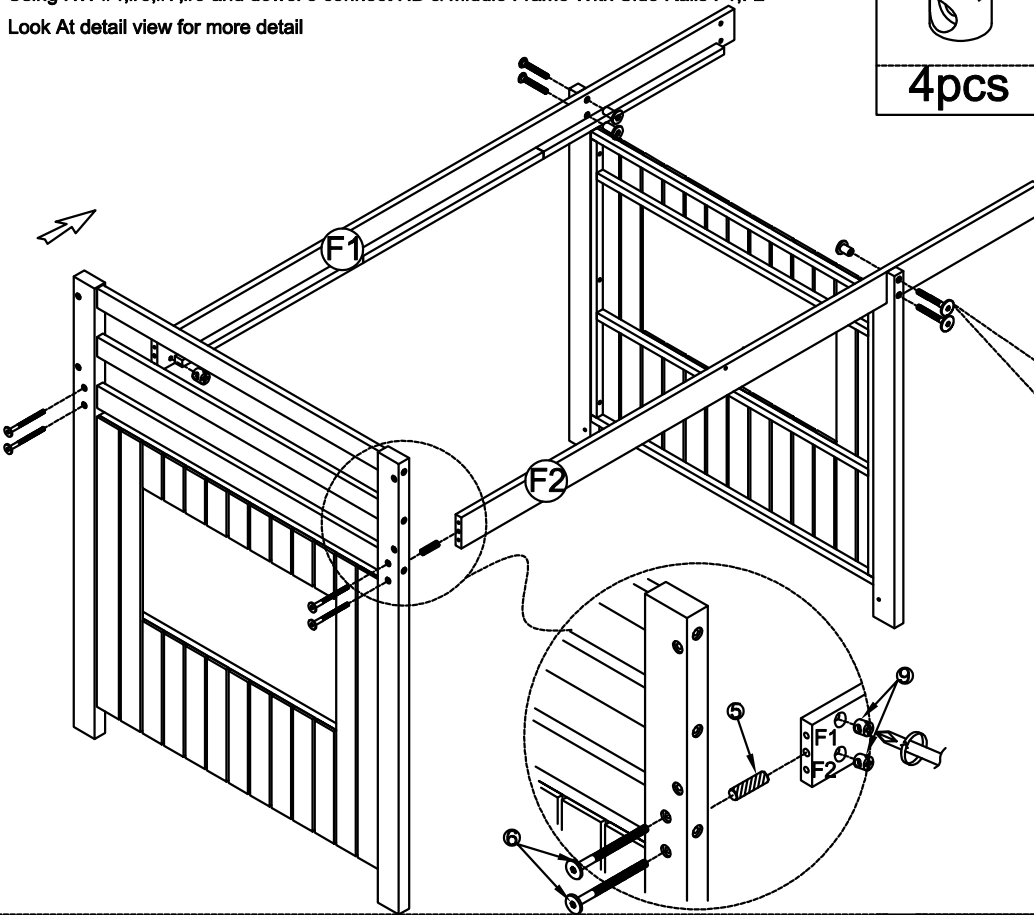
Following below illustration
Assembly Middle Frame. Using HW #2 connect B1, B2 Legs
with A5 Frame to completed Middle Frame of Bed

2

6pcs

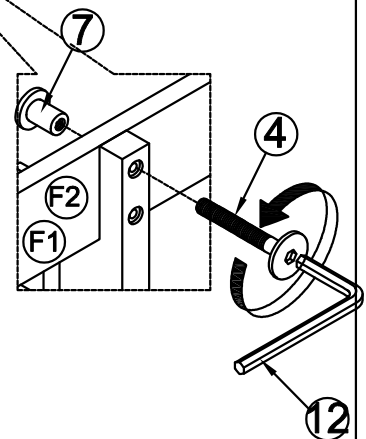


STEP 4:

Following below illustration.
 Using HW #4,#6,#7,#9 and dowel 5 connect HB & Middle Frame With Side Rails F1,F2
 Look At detail view for more detail

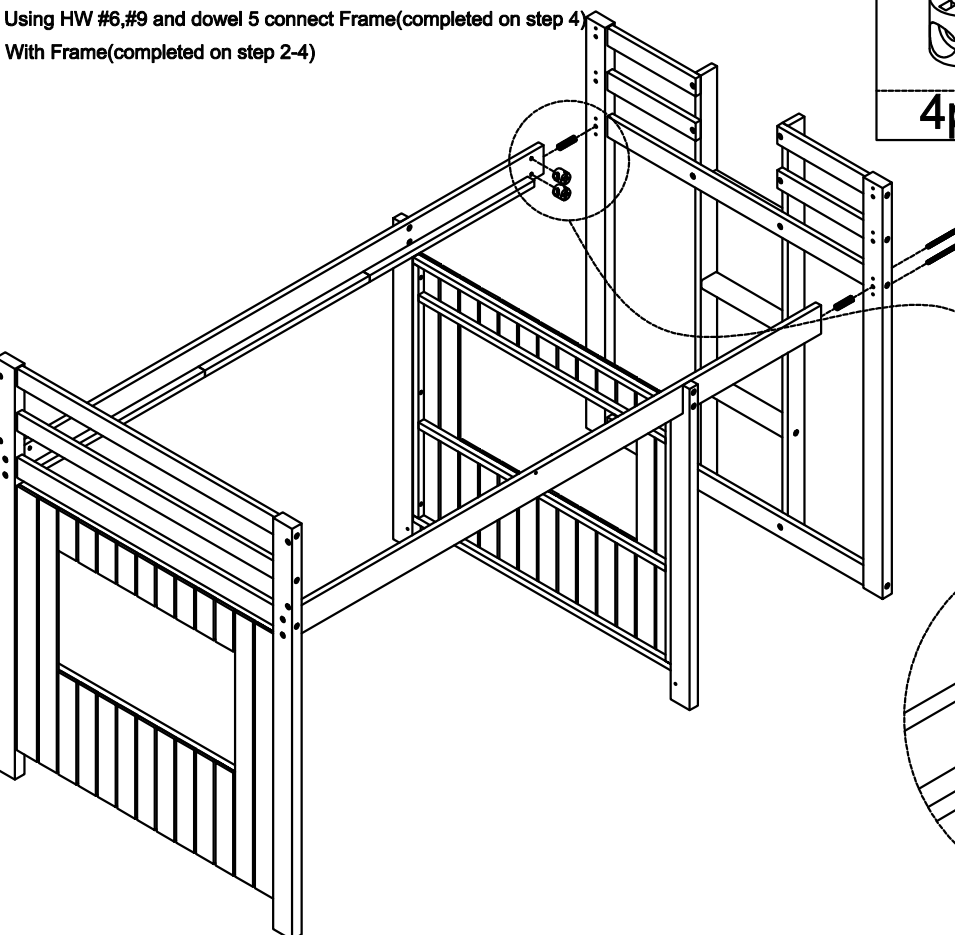


9	6	5
4pcs	4pcs	2pcs
7	4	
4pcs	4pcs	

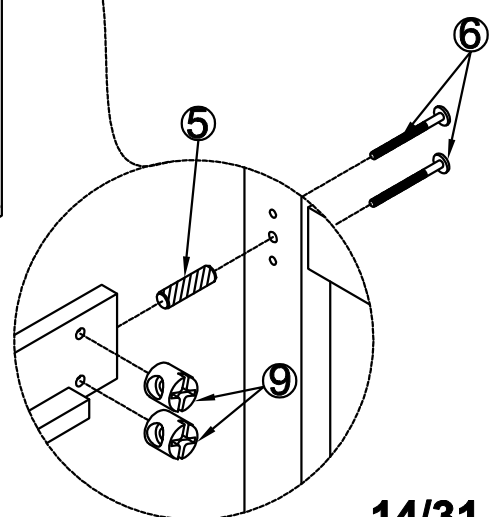


STEP 5:

Following below illustration.
 Using HW #6,#9 and dowel 5 connect Frame(completed on step 4)
 With Frame(completed on step 2-4)



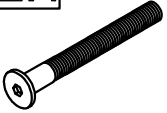


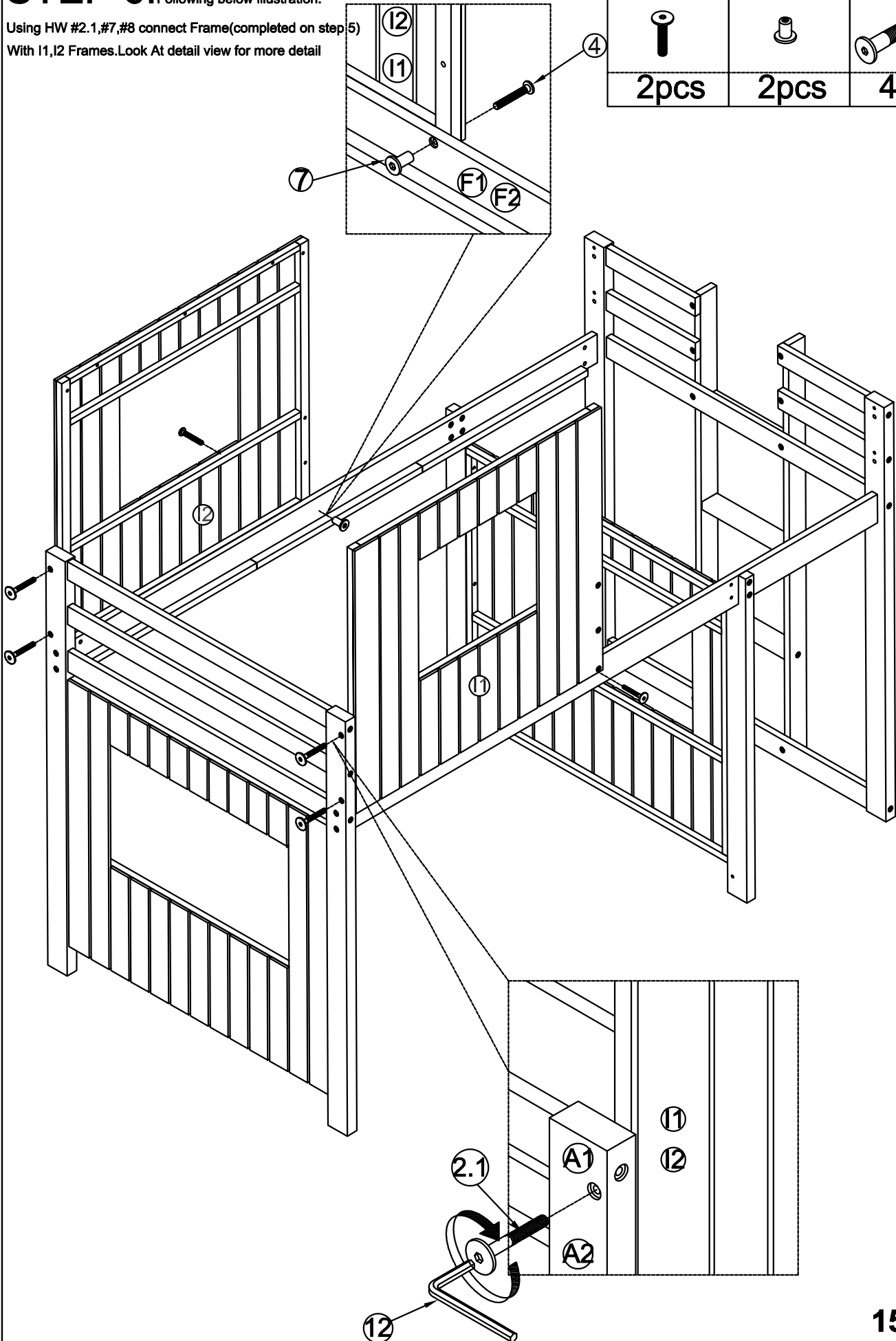
9	6	5
4pcs	4pcs	2pcs



STEP 6: Following below illustration.

Using HW #2.1, #7, #8 connect Frame (completed on step 5)
With I1, I2 Frames. Look At detail view for more detail



4	7	2.1
		
2pcs	2pcs	4pcs

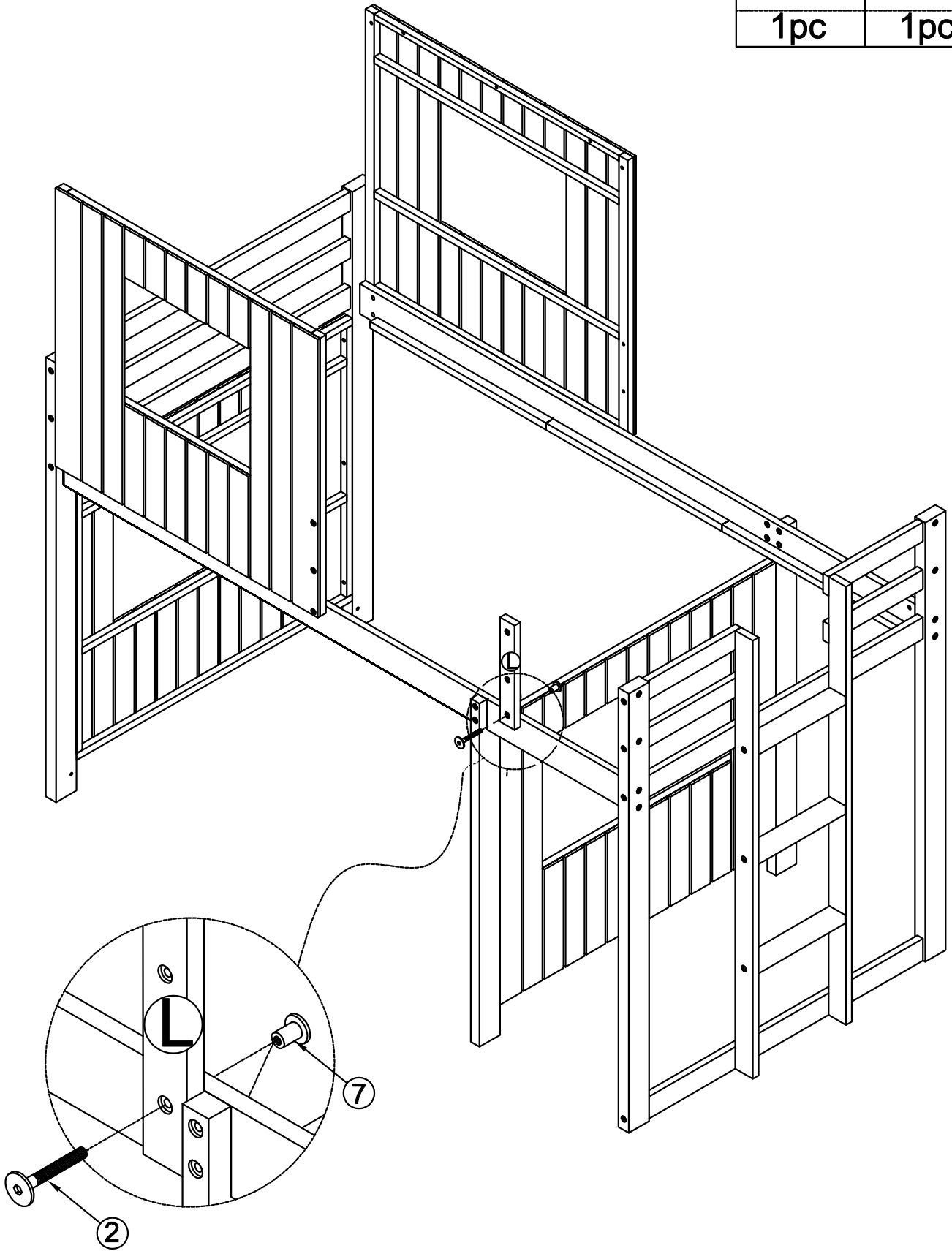


STEP 7: Following below illustration.

Using HW #2,#7 connect Frame(completed on step 5)






With Vertical Bar L.Look At detail view for more detail

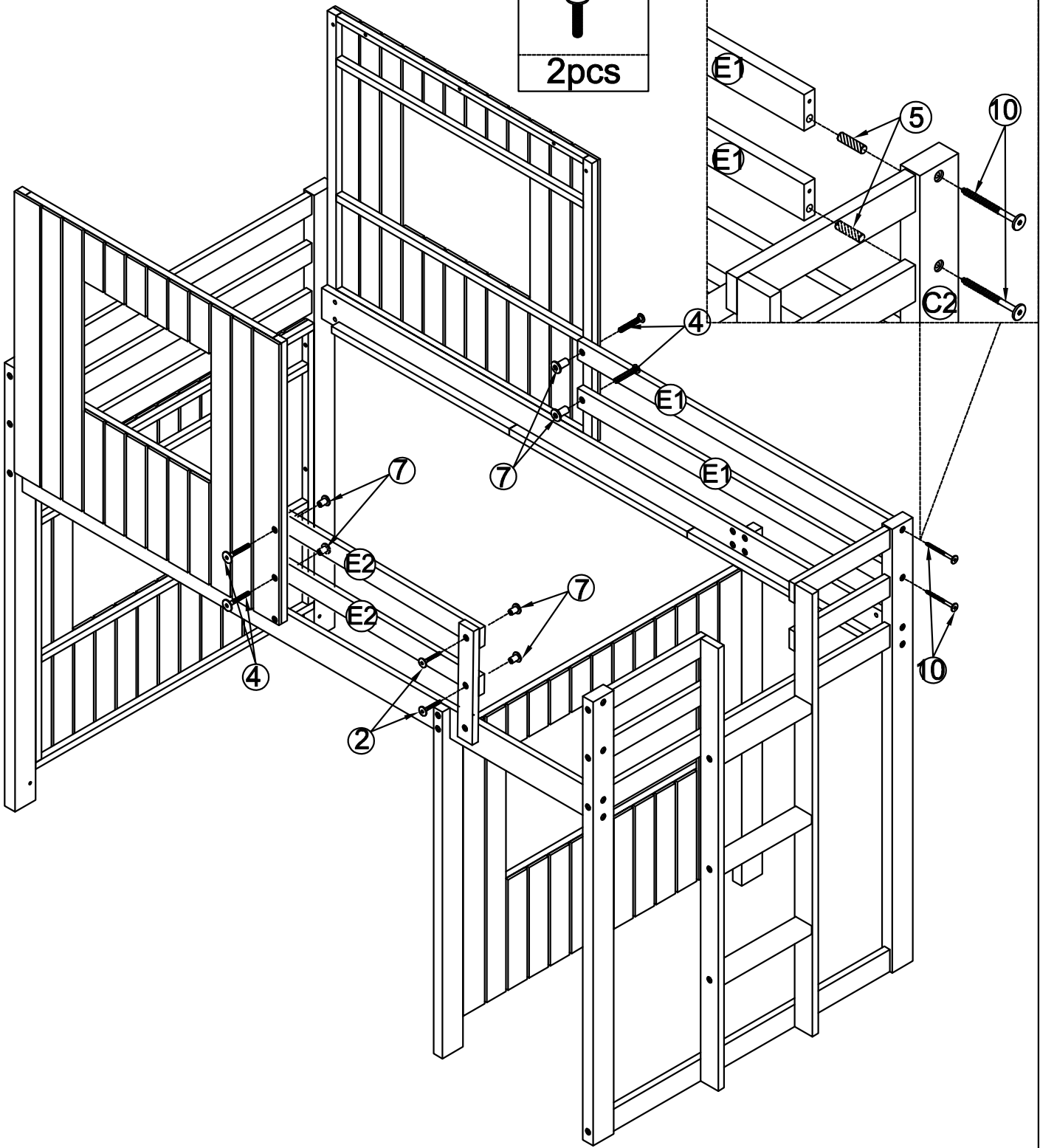
2	7
	
1pc	1pc



STEP 8:



Following below illustration. Connect the right frame with front Frame & back frame by Guardrail E1(x2) and Guardrail E2(x2). Using HW number listed in the right corner page also on picture to assembly

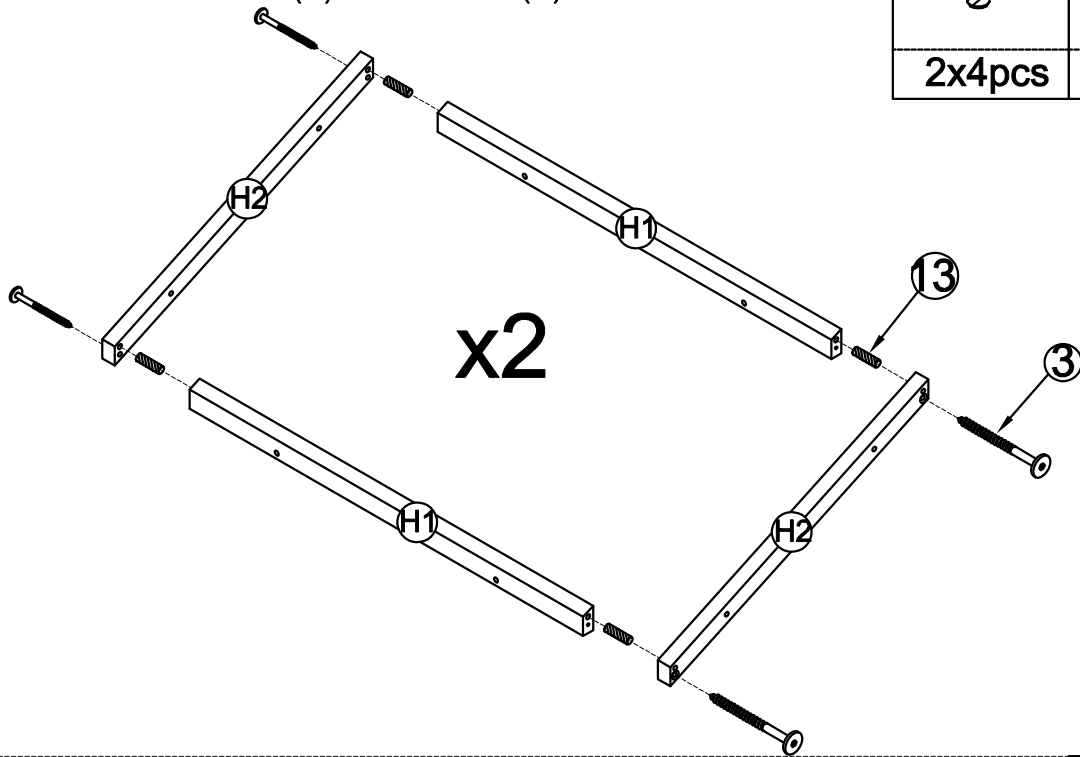
4	7	10	5
			
4pcs	6pcs	2pcs	2pcs
2			
			
2pcs			



STEP 9-1: Following below illustration.

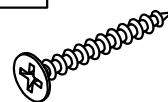
-Using hardware #3 and Dowel 13 connect H1(x2) Woodbars with H2(x2) Woodbars

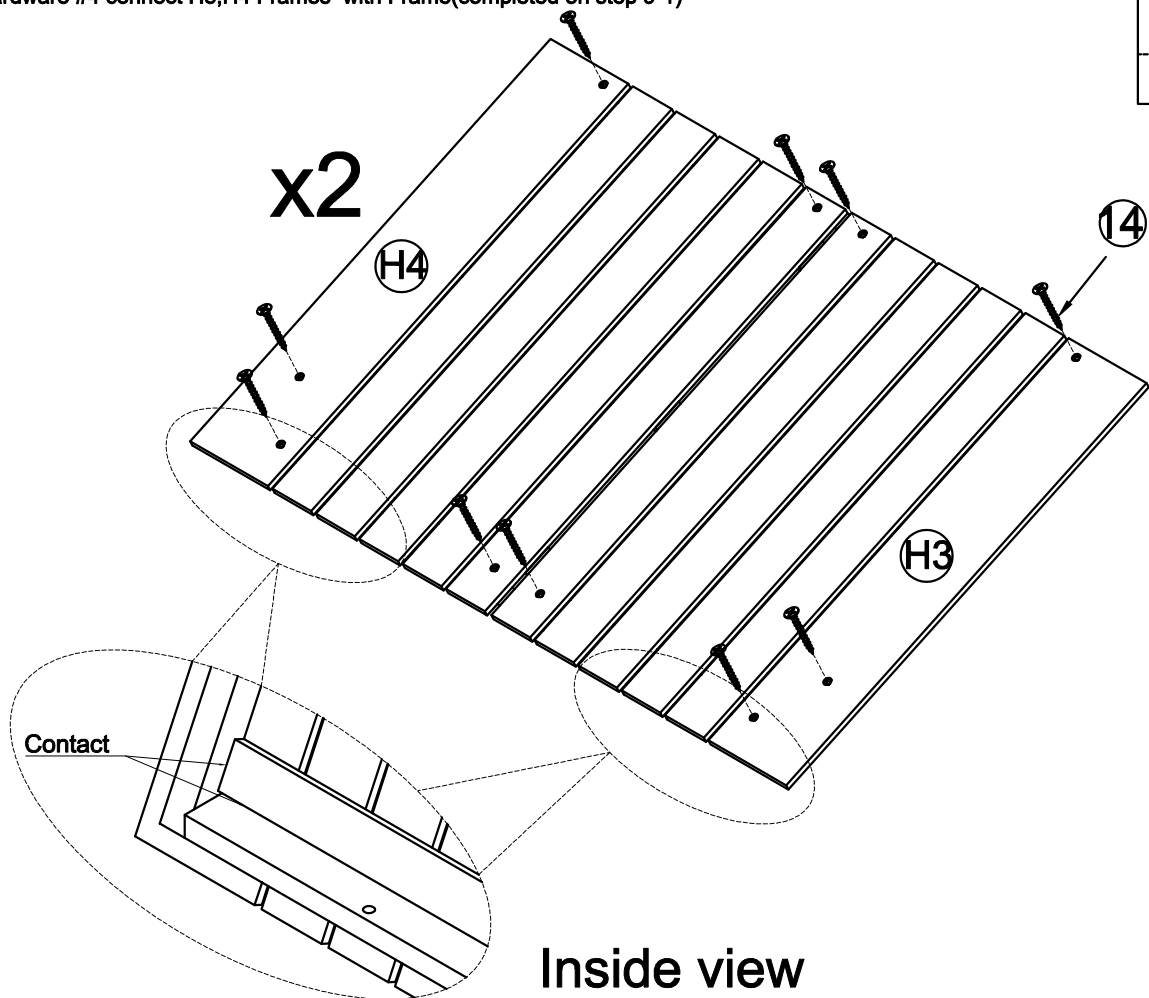
13		3	
2x4pcs		2x4pcs	



STEP 9-2: Following below illustration.



-Using hardware #4 connect H3,H4 Frames with Frame(completed on step 9-1)

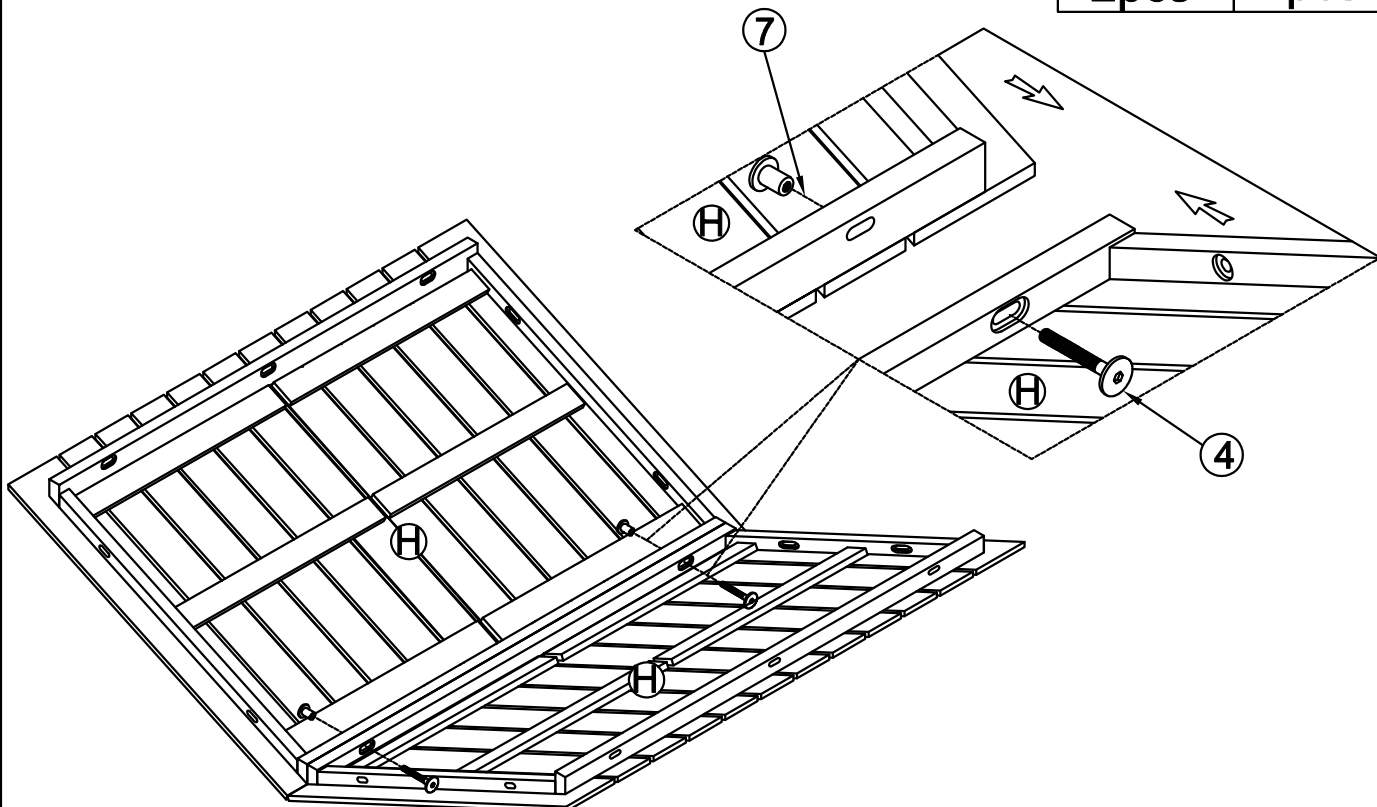
14	
10x2pcs	



STEP 9-3:

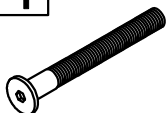
Following below illustration Assembly Roof top Frame. Using HW #4, #7 connect H Frame With H Frame, using HW number listed in the right corner

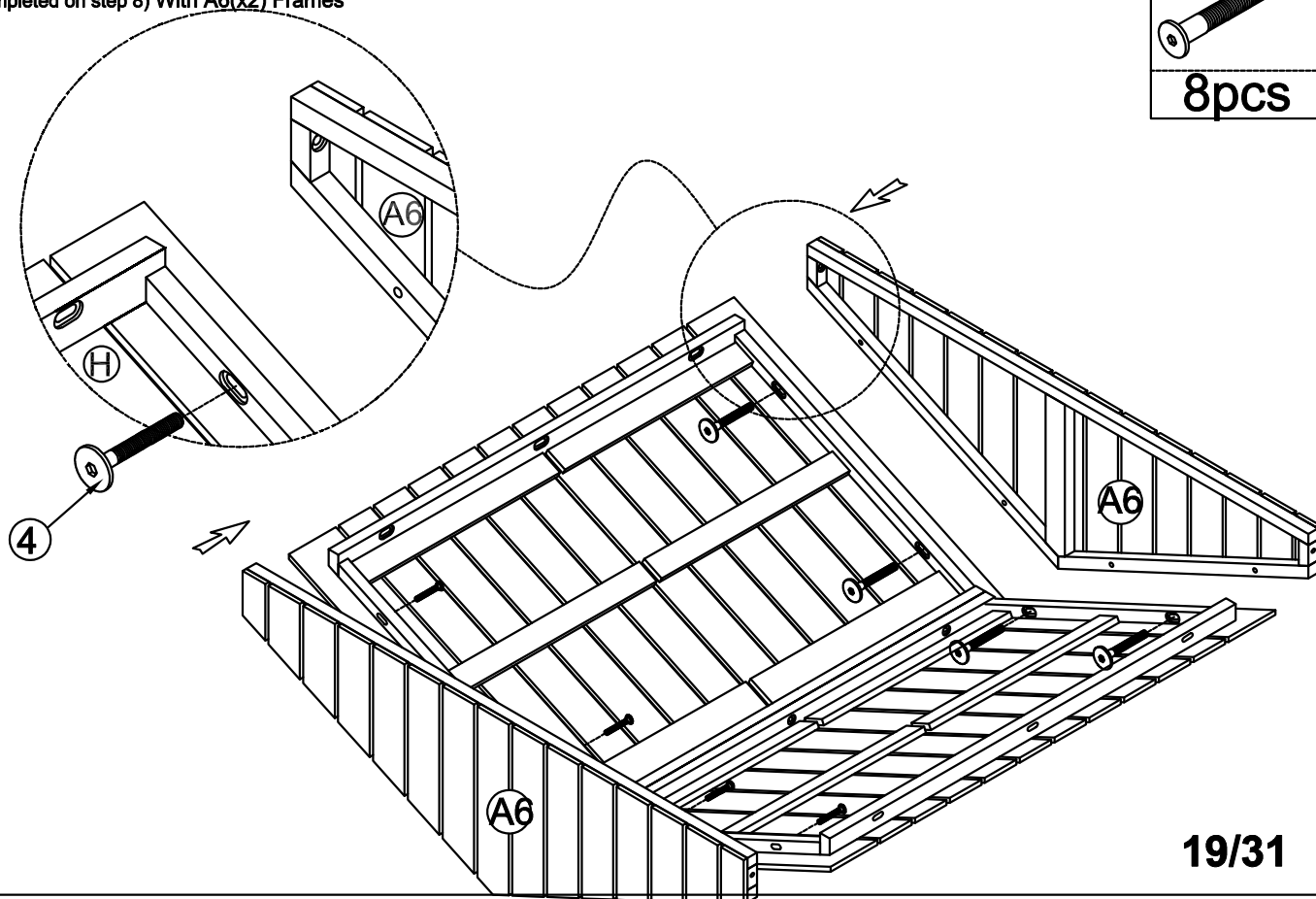
4	7
	
2pcs	2pcs



STEP 10:

Following below illustration Assembly Roof top Frame. Using HW #4 connect Frame (completed on step 8) With A6(x2) Frames

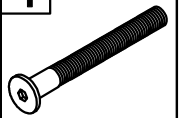
4

8pcs



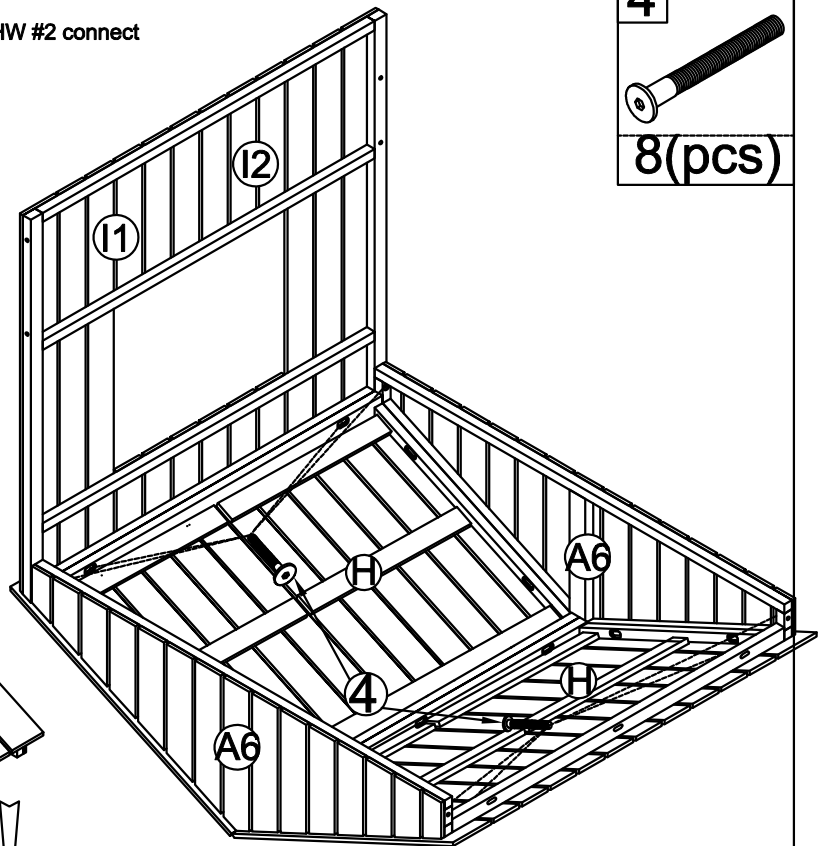
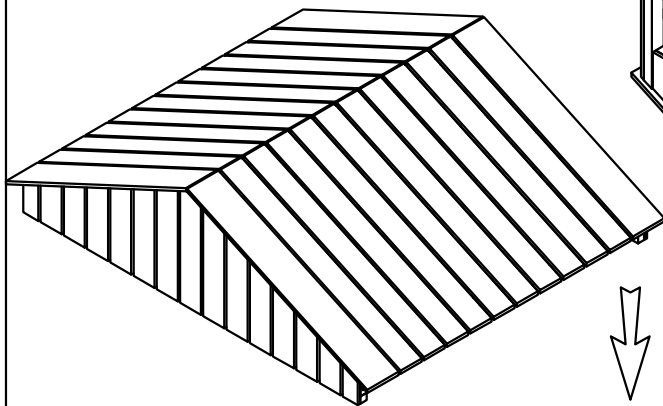
STEP 11: Following below illustration.Using HW #2 connect

Frame(completed on step 7) With Frame(completed on step 9)

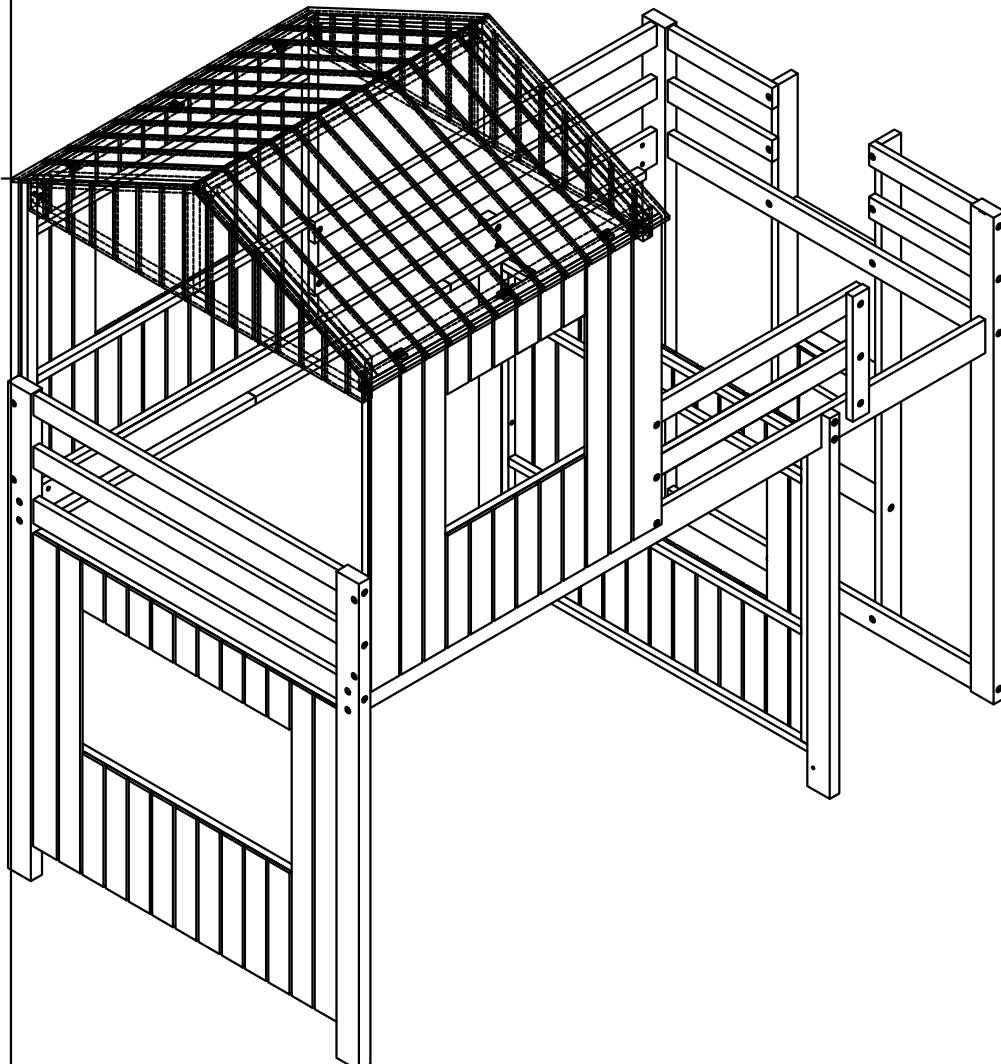
4



8(pcs)

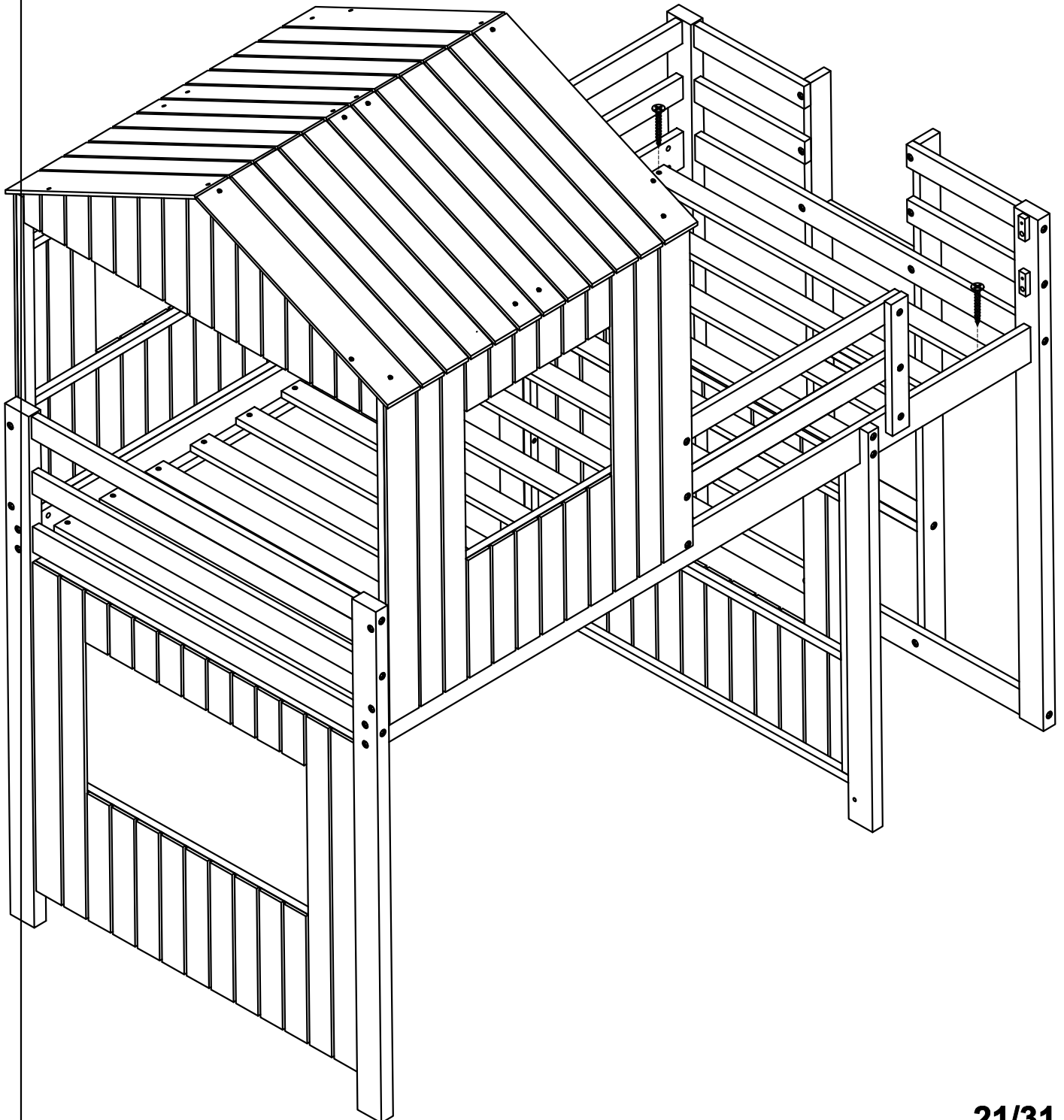
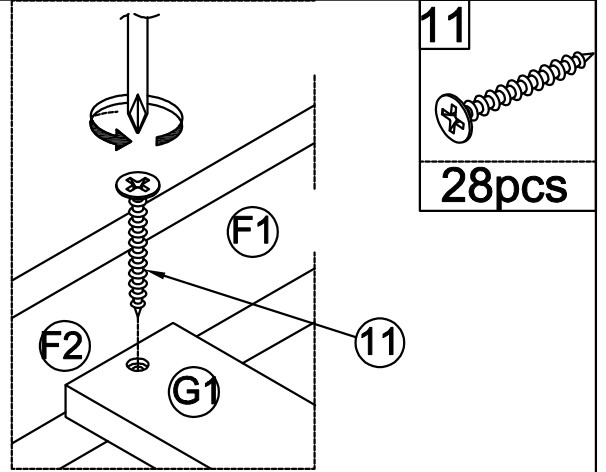


Under the roof view




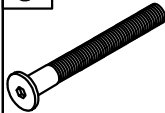

STEP 12: Following below illustration. Screw 14 Slats G1 with Side Rails F1,F2 by using HW #11

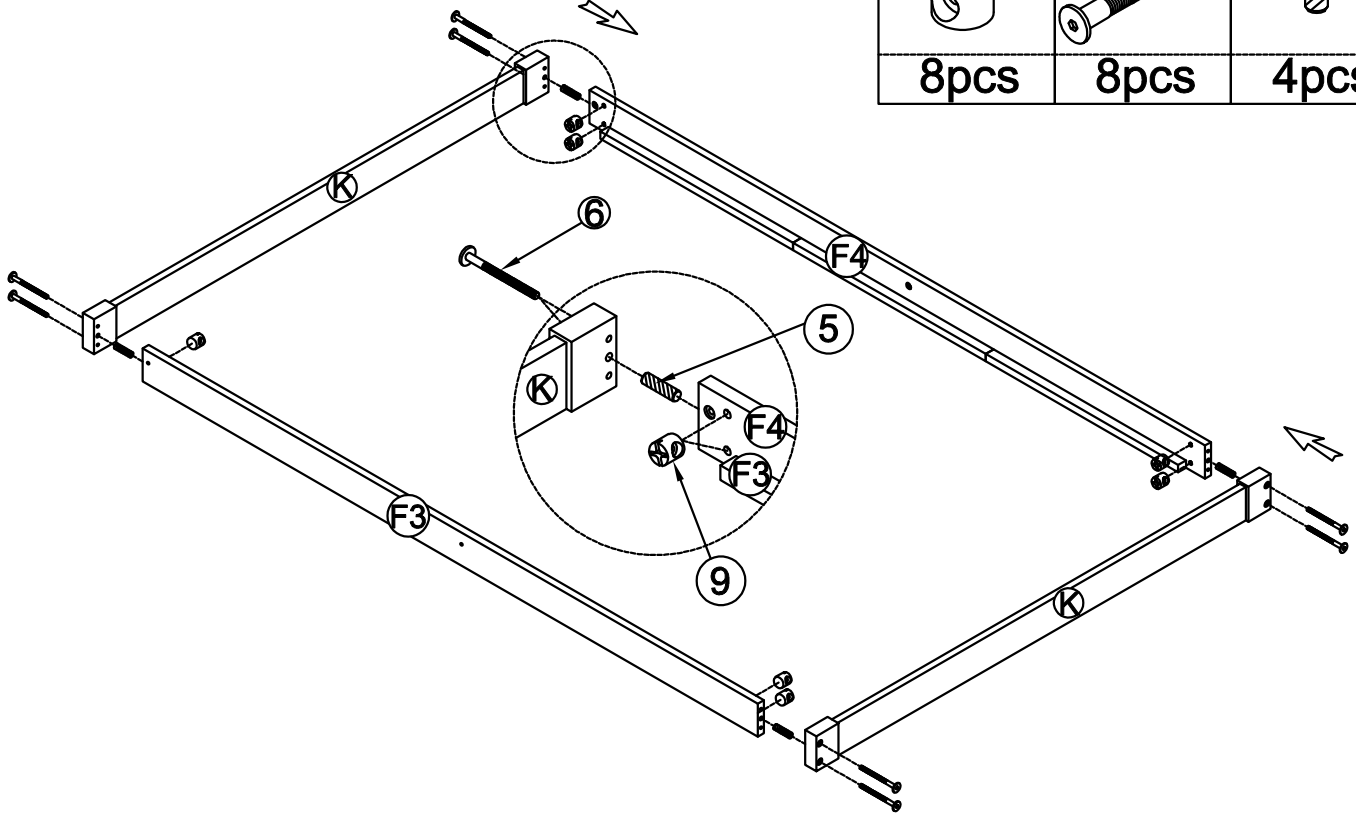
**ATTENTION:REMEMBER
TO COMPLETE SCREW ALL
SLATS WITH SIDE RAIL
BEFORE ÚING**



STEP 13: Following below illustration Assembly Full Bed.

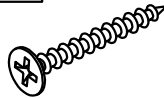
Using HW #6,#9 and dowel #5 connect HB & FB With Side rails F3,F4

9		6		5	
8pcs		8pcs		4pcs	

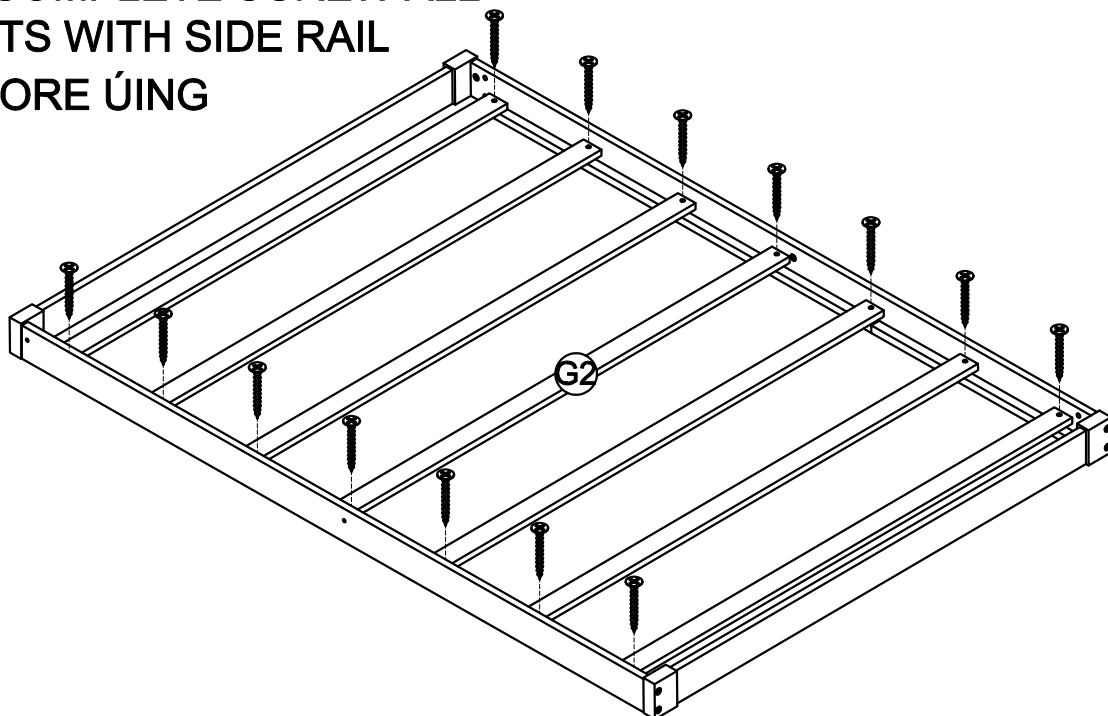


STEP 14: Following below illustration.Screw 7 Slats G2 with Side

Rails F3,F4 by using HW #11

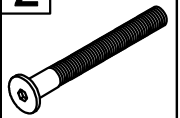
11	
14pcs	

**ATTENTION:REMEMBER
TO COMPLETE SCREW ALL
SLATS WITH SIDE RAIL
BEFORE ÚING**

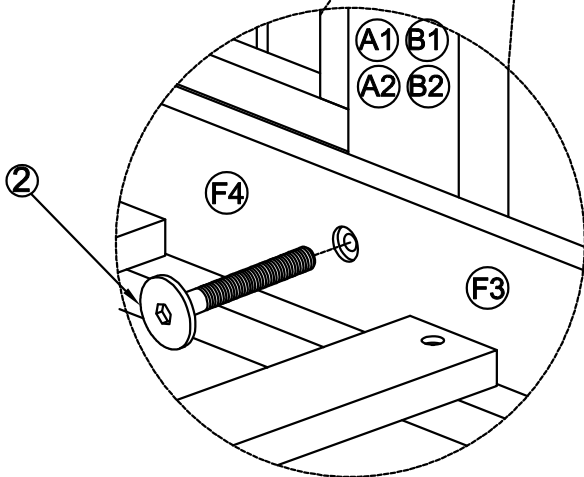
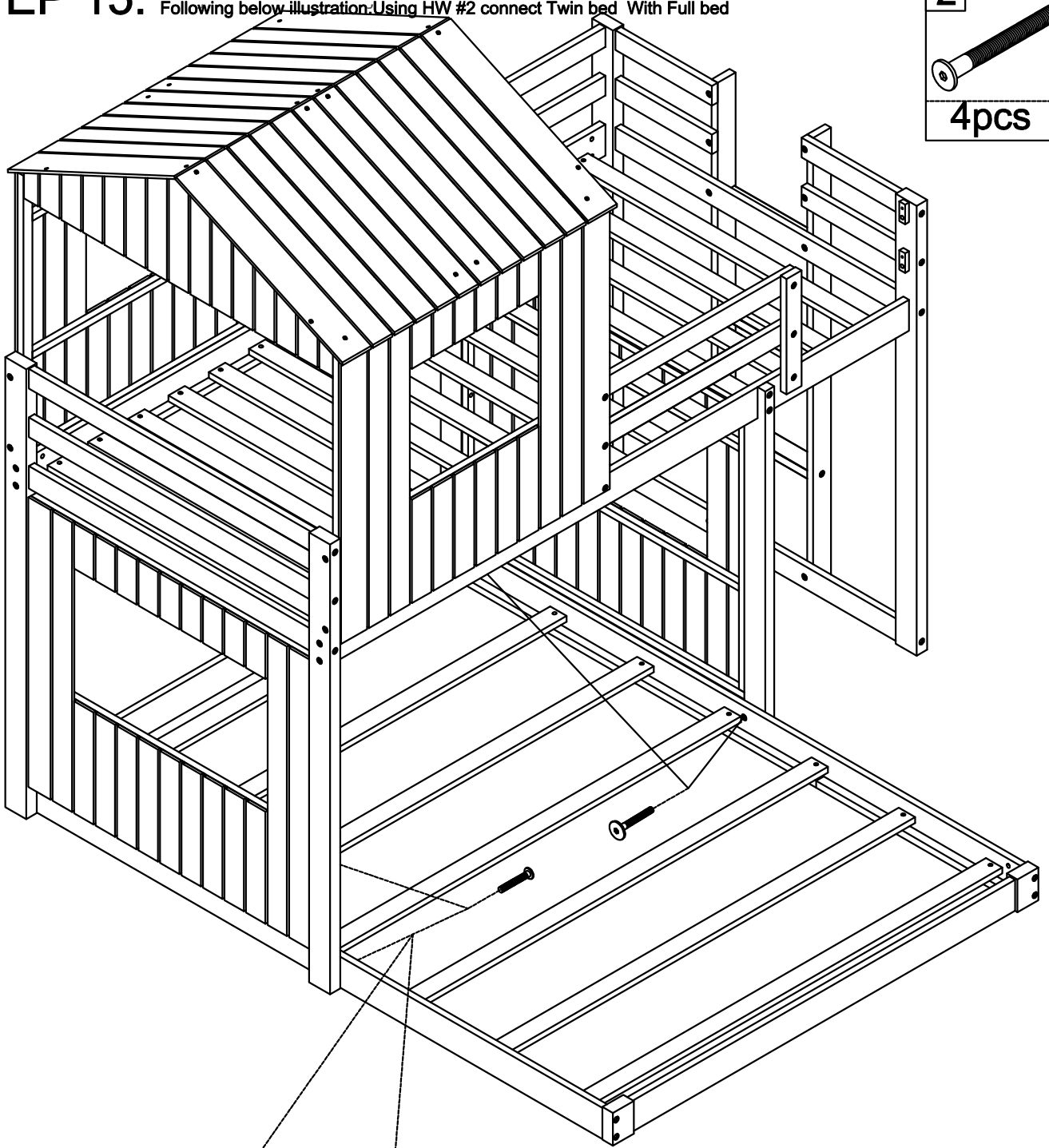


STEP 15: Following below illustration: Using HW #2 connect Twin bed With Full bed

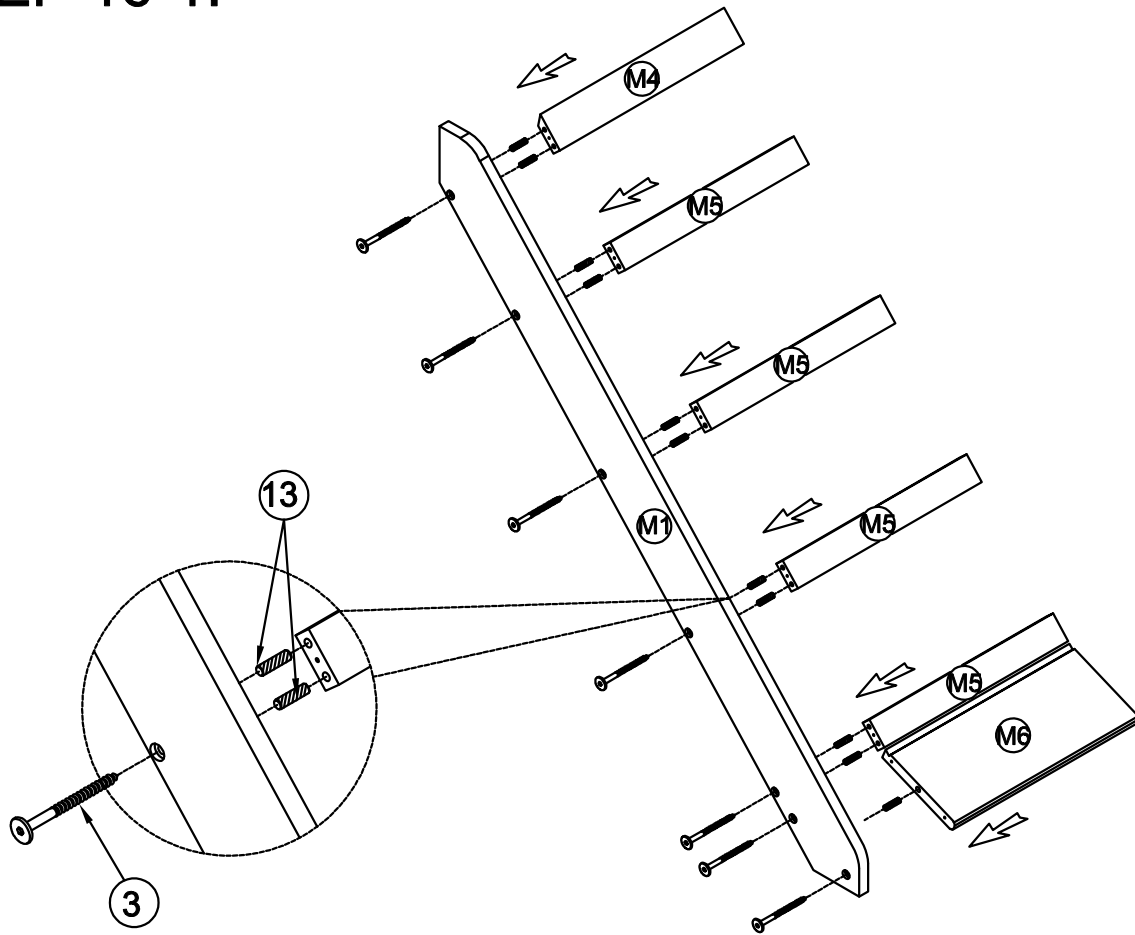
2



4pcs



STEP 16-1:

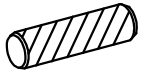


3



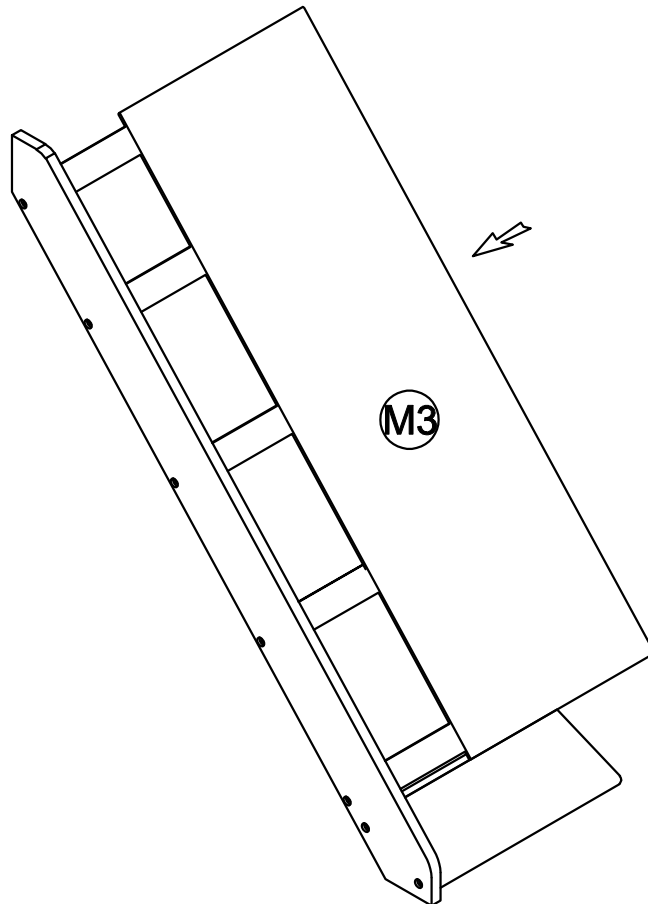
7pcs

13

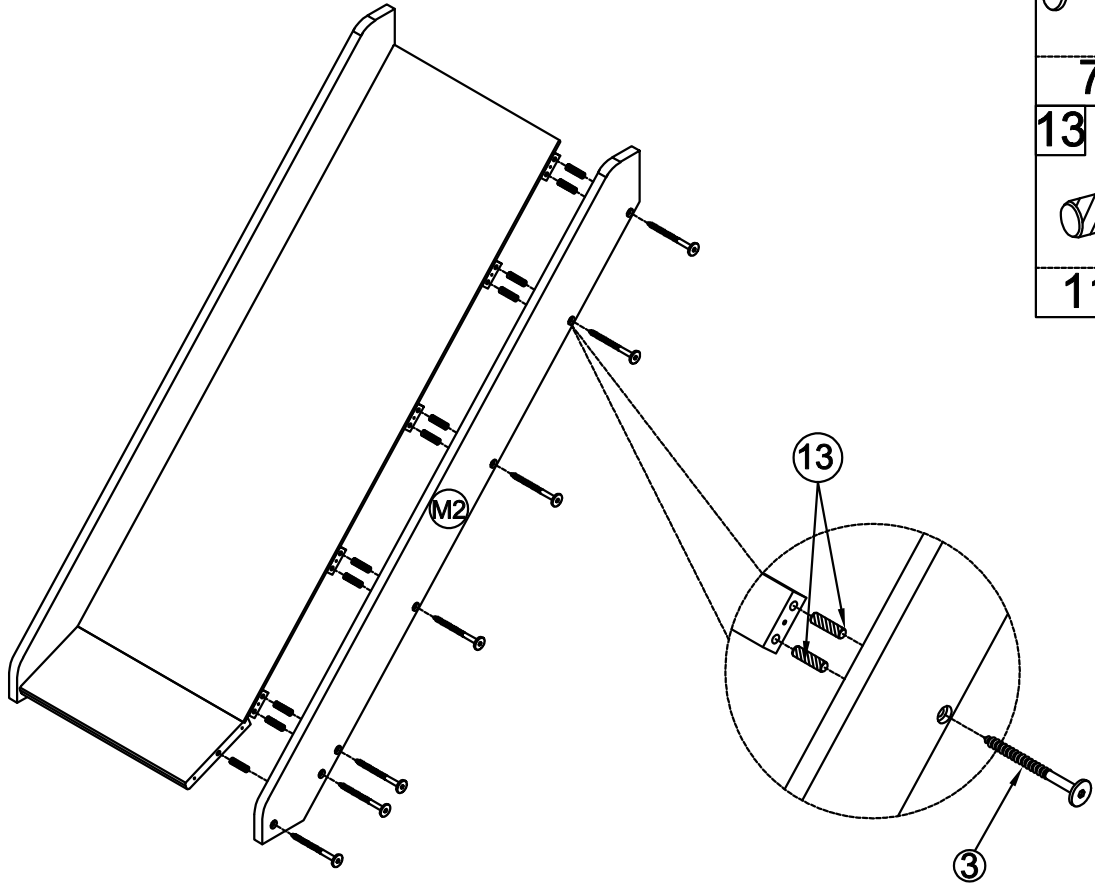


11pcs

STEP 16-2:



STEP 16-3:

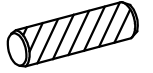


3



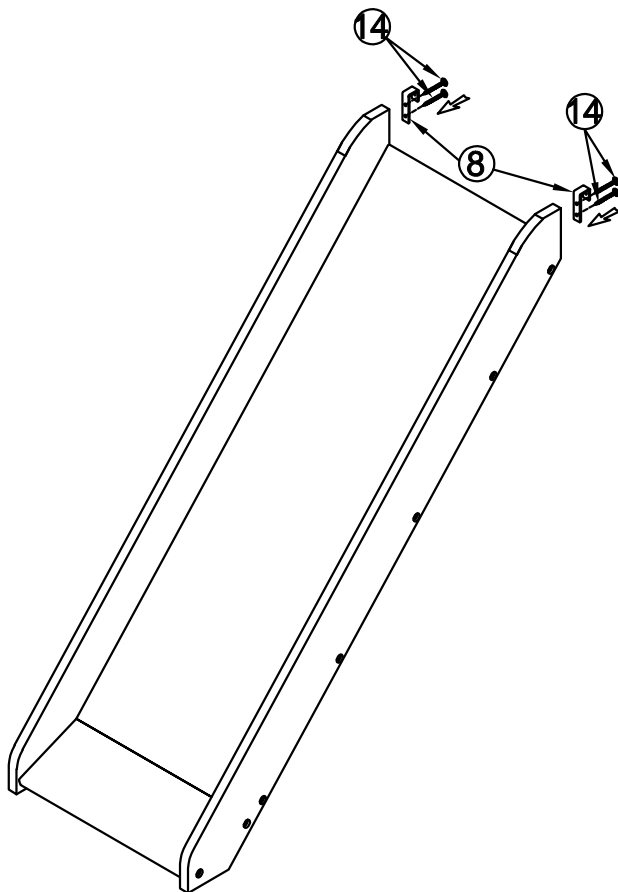
7pcs

13

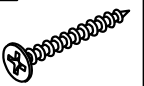


11pcs

STEP 16-4:



14



4pcs

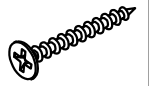
8



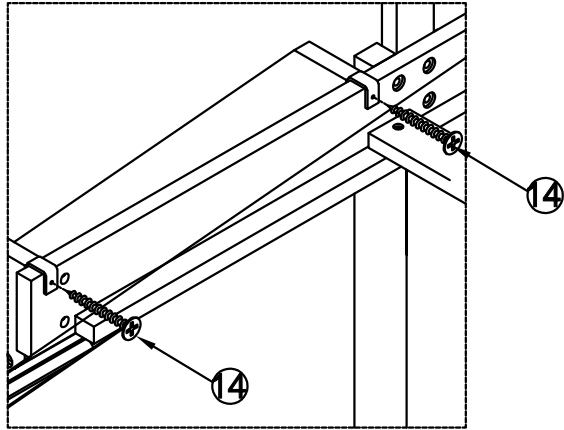
2pcs

STEP 17: Following below illustration. Using HW #1 connect Slide With Bed

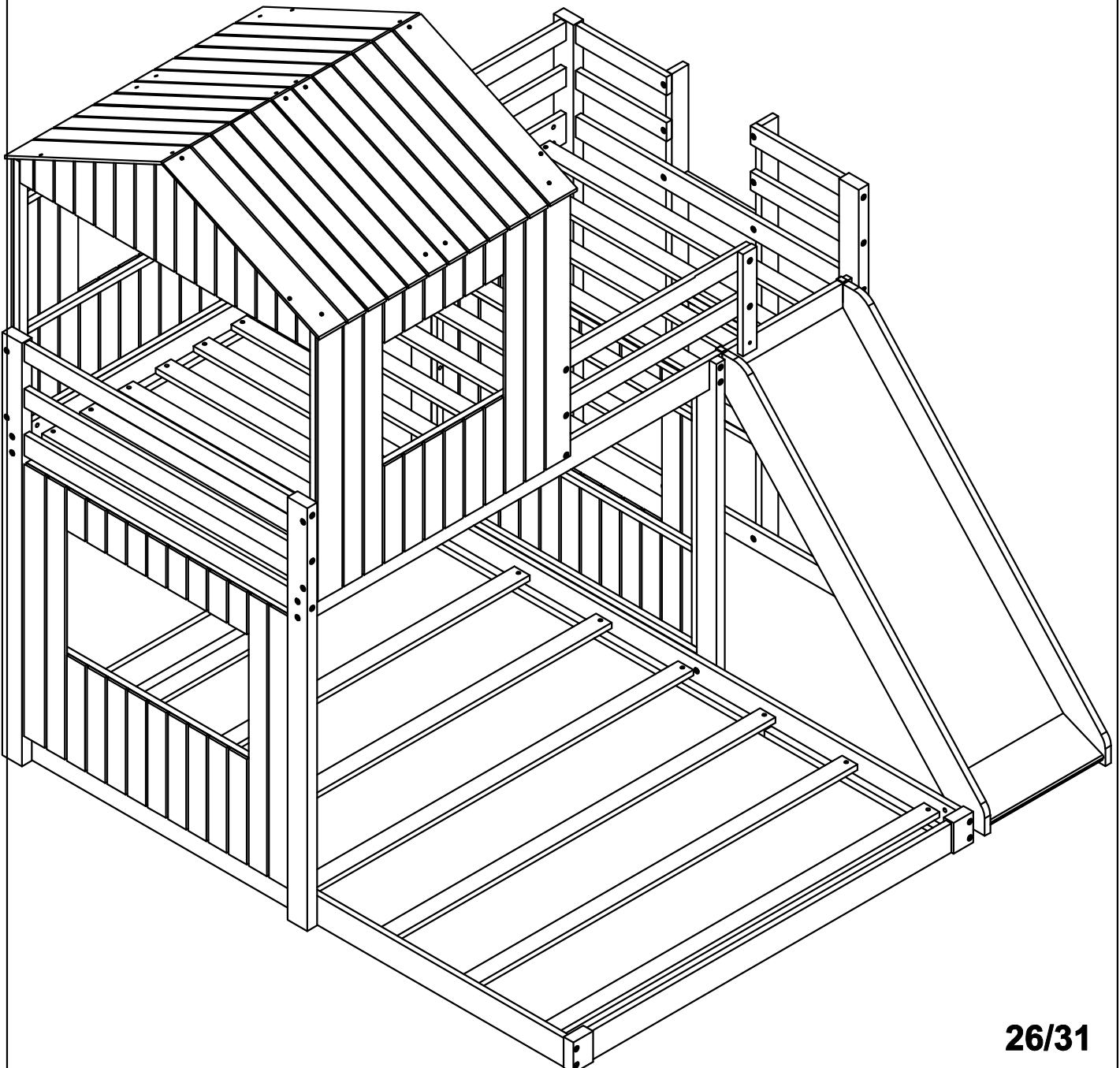
14



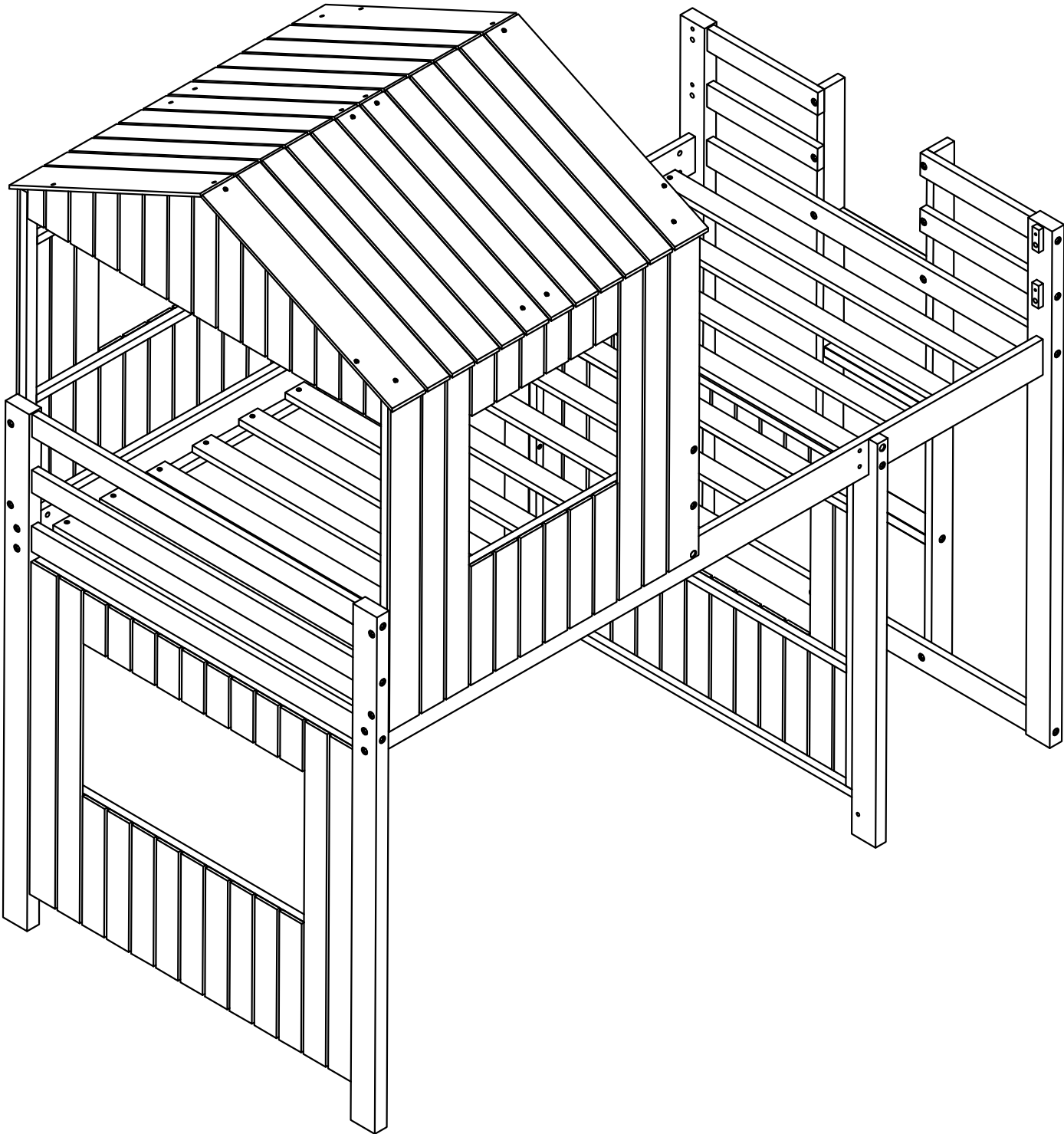
2pcs



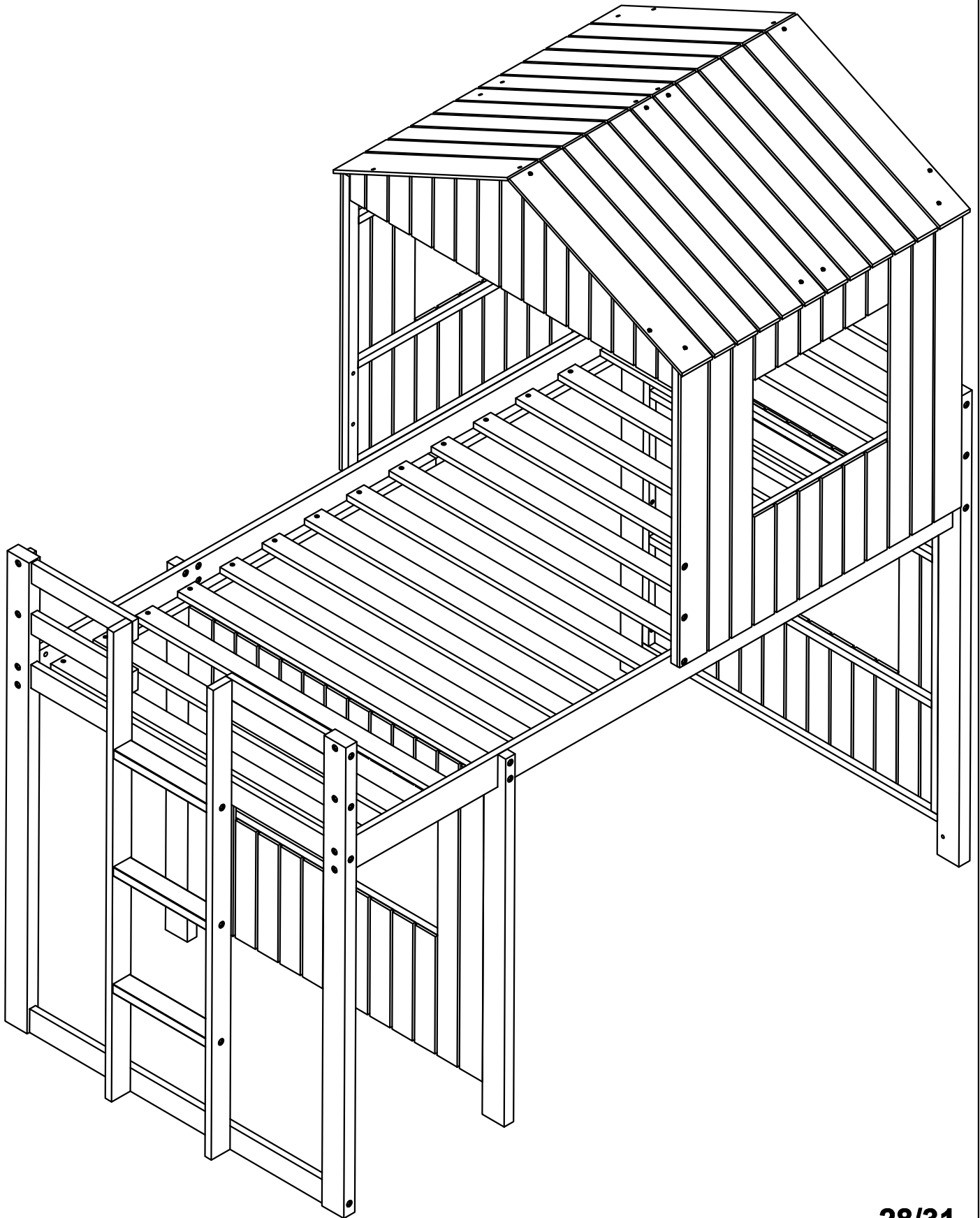
Inside side rail view



STEP 18: Disassembly the full bed,slide,guard rail.Following below illustration





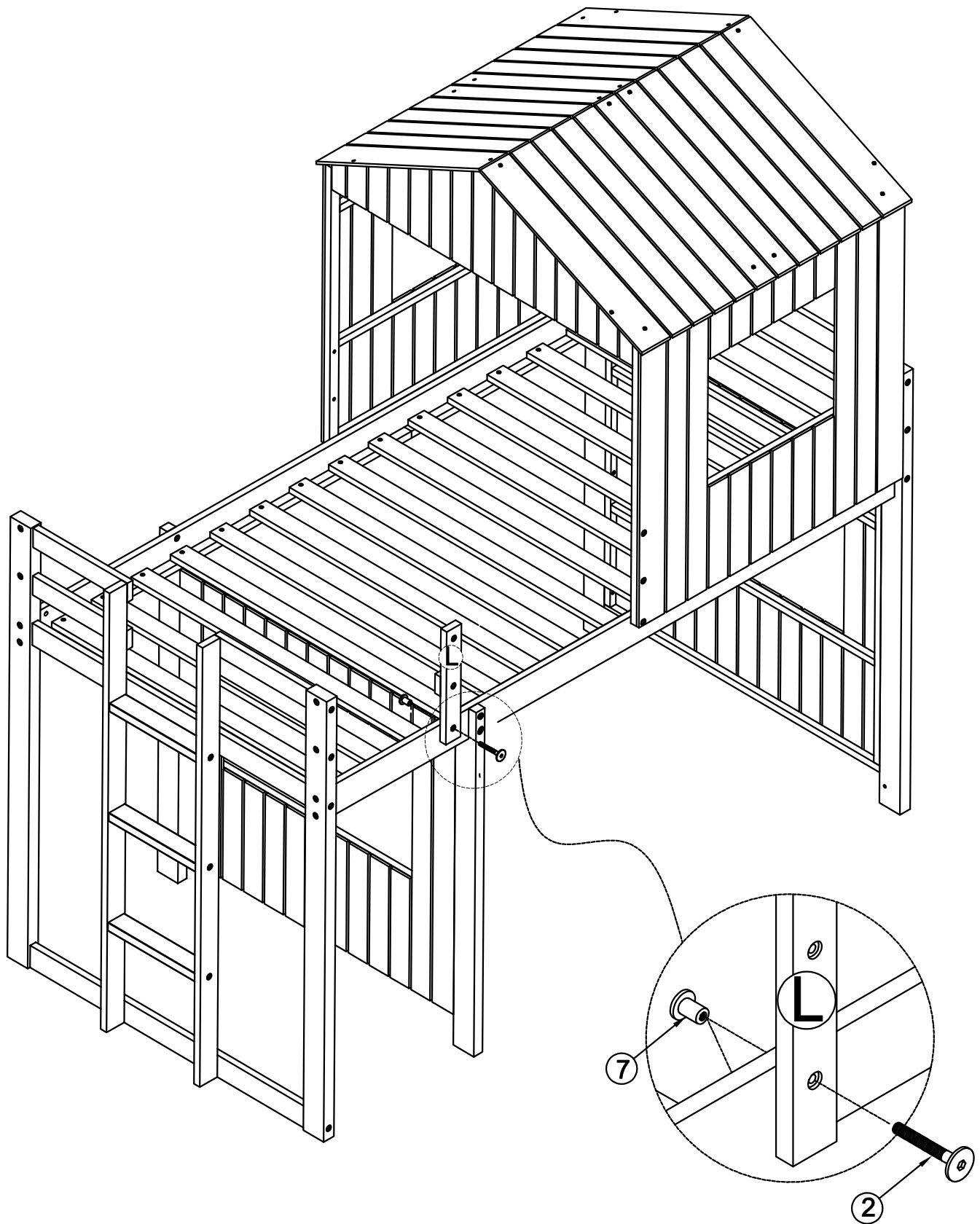
STEP 19: Rotate Twin bed 180 degrees



STEP 20:






Following below illustration. Connect the right frame with front Frame & back frame by Guardail E1(x2) and Guardail E2(x2). Using HW number listed in the right corner page also on picture to assembly

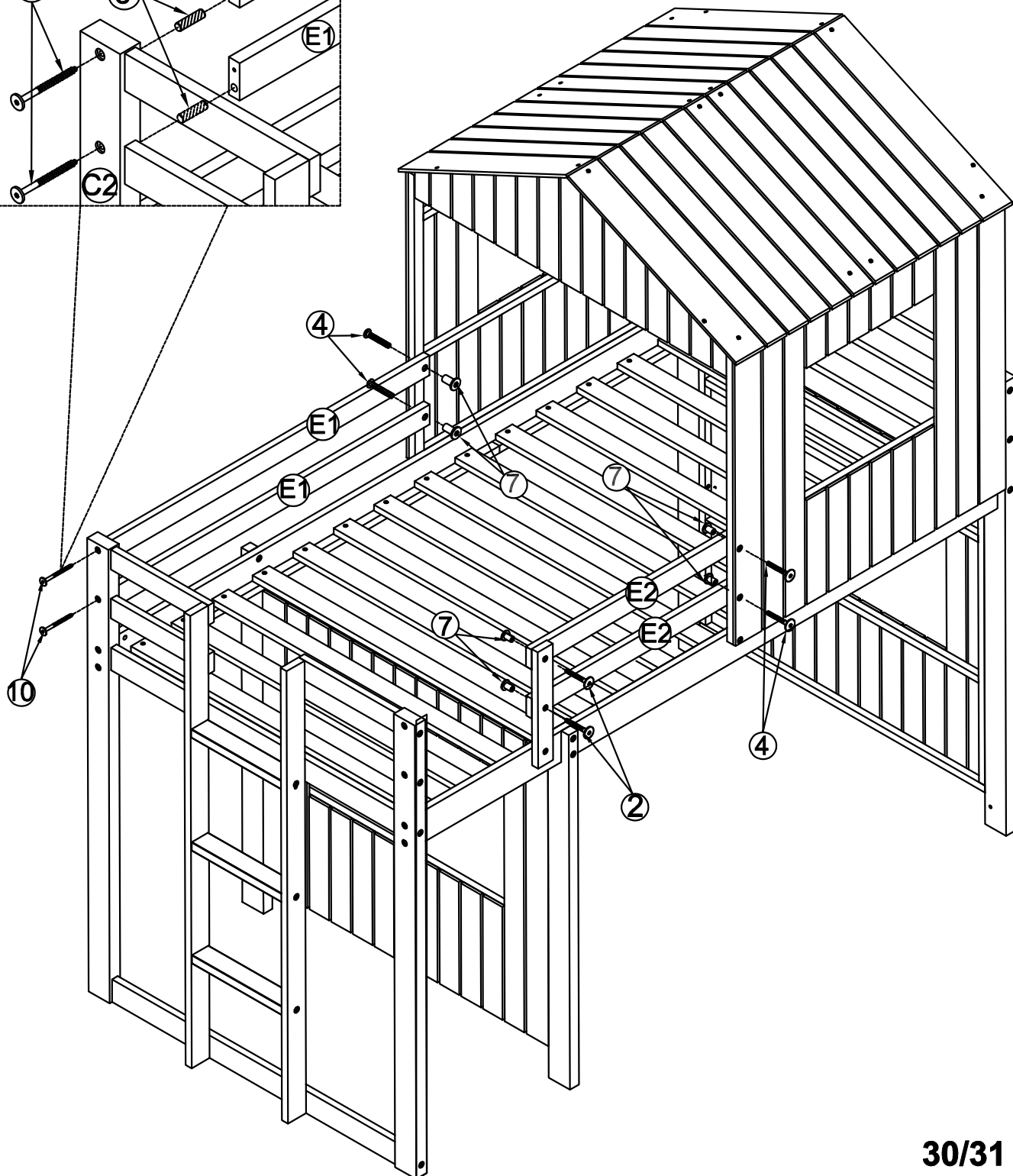
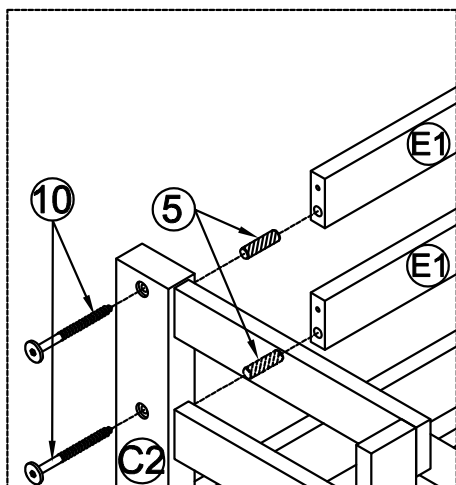
2	7
	
1pc	1pc



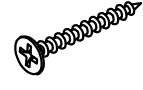
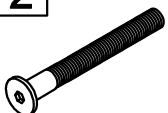
STEP 21:

Following below illustration. Connect the right frame with front Frame & back frame by Guardrail E1(x2) and Guardrail E2(x2). Using HW number listed in the right corner page also on picture to assembly

4		7		10		5	
	4pcs		6pcs		4pcs		4pcs
2							
	2pcs						



STEP 22: Following below illustration.Using HW #2 connect Twin bed With Full bed

14		2	
2pcs		4pcs	

