

ASSEMBLY INSTRUCTIONS

LOFT BED WITH TABLE AND STAIR



WF296928/WF296929



SAFETY WARNING



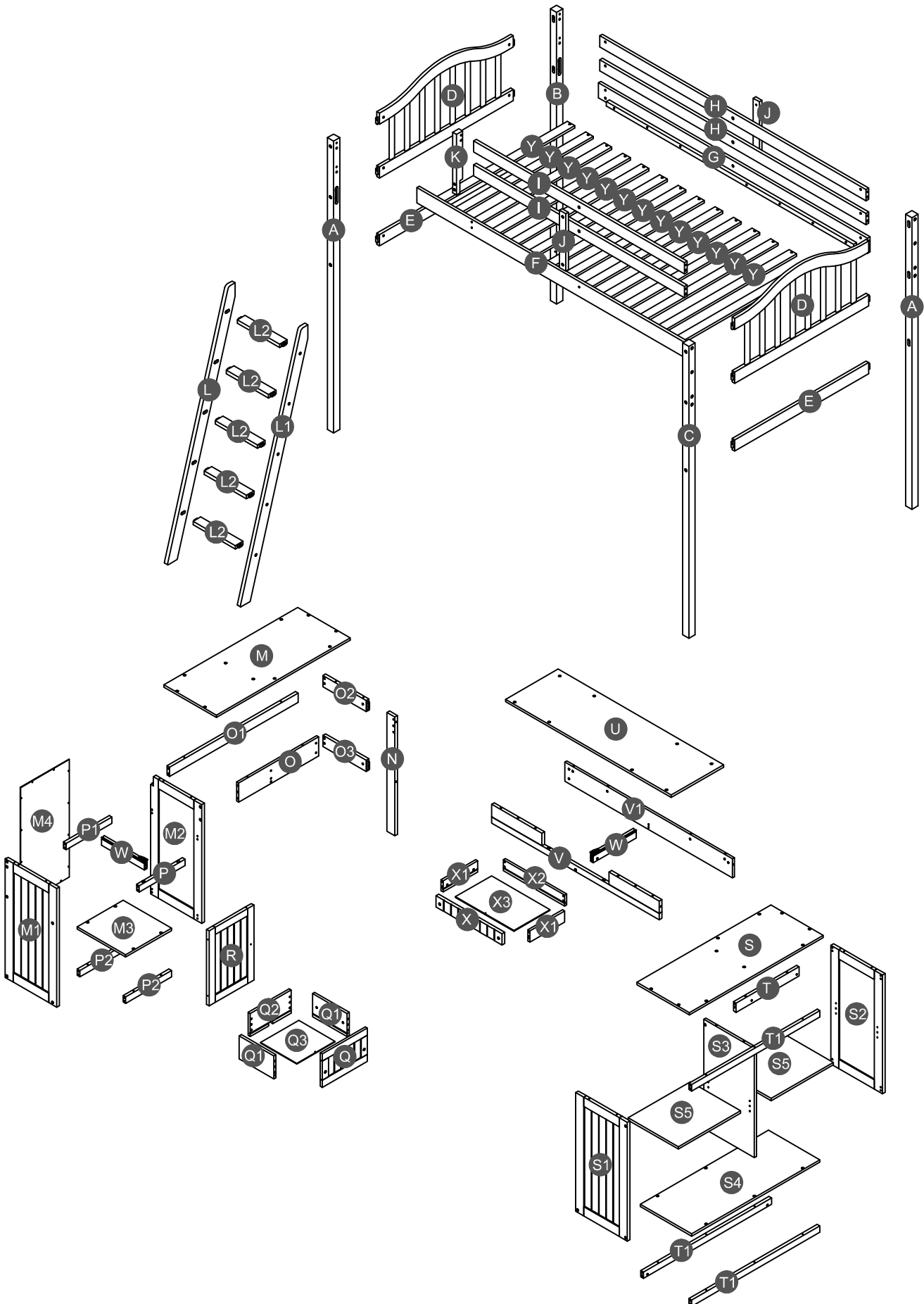
1. This bed is designed for use only mattress (es) meeting the following specifications on the loft bed:

Up bed (Loft bed and tribed included)

Bed type	Length	Width	Thickness
Twin Standard	74"-75"	38 1/2"	6" max

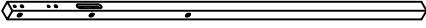
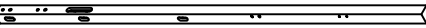
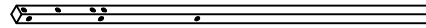
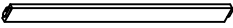



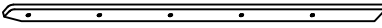
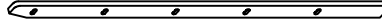
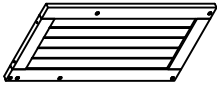
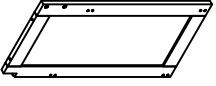
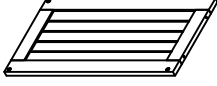
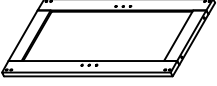
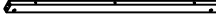
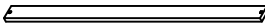
2. Replacement parts, including additional guardrails, maybe obtained from any of our (GIGACLOUD TECHNOLOGY (USA) INC. 18961 ARENTH AVENUE, CITY OF INDUSTRY , CA, 91748.) dealers
3. Follow the information on the warnings appearing on the loft bed. end structure and on the carton. Do not remove warning label from bed.
4. Always use the recommended size mattresses or mattress supports, or both, to help prevent the likelihood of entrapment or falls.
5. Surface of mattress must be at least 5" (127mm) below the upper edge of guardrails.
6. Do not allow children under 6 years of age to use the loft bed.
7. Periodically check and ensure that the guardrail, ladder, and other components are in their proper position, free from damage, and that all connectors are tight.
8. Do not allow horseplay on or under the bed and prohibit jumping on the bed.
9. Always use the ladder for entering and leaving the loft bed.
10. Do not use substitute part. Contact the manufacture or dealer for replacement part.
11. Use of a night light may provide added safety precaution for a child using the loft bed.
12. Always use guardrails on both long sides of the loft bed. If the loft bed will be placed next to the wall, the guardrail that runs the full length of the bed should be placed against the wall to prevent entrapment between the bed and wall.
13. The use of water or sleep flotation mattresses is prohibited.
14. STRANGULATION HAZARD - Never attach or hang items to any part of the loft bed that are not designed for use with the bed; for example, but not limited to, hook, belts and jump ropes.
15. Keep these instruction for future reference.
16. Prohibit more than one person on upper bunk
17. We recommend assembling your bunk bed on the shipping carton to protect your floor or carpet.
18. Be certain all staples are out of the box before beginning assembly on the shipping carton.

Detail View

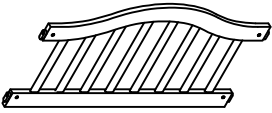


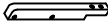
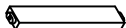
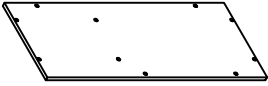
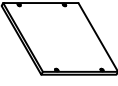

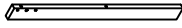


Part List

WF296928

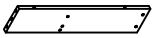
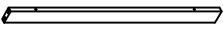
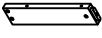
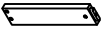
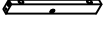
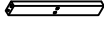
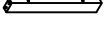
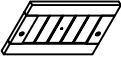
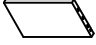
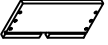

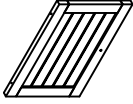
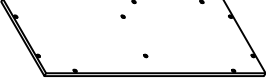

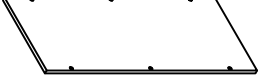
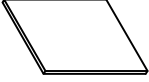
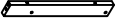


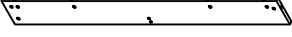

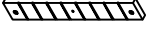
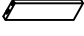

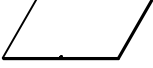
<p>A</p>  <p>Leg (Left Front / Right back) - 2pcs</p>	<p>B</p>  <p>Leg (Left back) - 1pc</p>	<p>C</p>  <p>Leg (Right Front) - 1pc</p>
<p>E</p>  <p>Horizontal bar - 2pcs</p>	<p>F</p>  <p>Side rail (front) - 1pc</p>	<p>G</p>  <p>Side rail (back) - 1pc</p>
<p>H</p>  <p>Long guard rail - 2pcs</p>	<p>L</p>  <p>Long ladder (left) - 1pc</p>	<p>L1</p>  <p>Long ladder (right) - 1pc</p>
<p>M1</p>  <p>Left side panel - 1pc</p>	<p>M2</p>  <p>Right side panel - 1pc</p>	<p>S1</p>  <p>Right side panel - 1pc</p>
<p>S2</p>  <p>Left side panel - 1pc</p>	<p>T1</p>  <p>Horizontal bar - 3pcs</p>	<p>Y</p>  <p>Slat - 14pcs</p>

Hardware List WF296929

<p>D</p>  <p>Frame HB/FB - 2pcs</p>	<p>I</p>  <p>Short guard rail - 2pcs</p>	<p>J</p>  <p>Vertical guard rail - 2pcs</p>
<p>K</p>  <p>Support guard rail (Left) - 1pc</p>	<p>L2</p>  <p>Step ladder - 5pcs</p>	<p>M</p>  <p>Top panel - 1pc</p>
<p>M3</p>  <p>Bottom panel - 1pc</p>	<p>M4</p>  <p>Back panel - 2pcs</p>	<p>N</p>  <p>Short leg - 1pc</p>

Part List

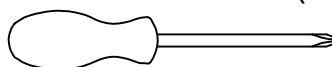
Hardware List WF296929

<p>O</p>  <p>Horizontal bar (Front) - 1pc</p>	<p>O1</p>  <p>Horizontal bar (Back) - 1pc</p>	<p>O2</p>  <p>Upper horizontal bar - 1pc</p>
<p>O3</p>  <p>Lower horizontal bar - 1pc</p>	<p>P</p>  <p>Horizontal bar (Front) - 1pc</p>	<p>P1</p>  <p>Horizontal bar (Back) - 1pc</p>
<p>P2</p>  <p>Lower horizontal bar - 2pcs</p>	<p>Q</p>  <p>Front drawer panel - 1pc</p>	<p>Q1</p>  <p>Left / right drawer panel - 2pcs</p>
<p>Q2</p>  <p>Back drawer panel - 1pc</p>	<p>Q3</p>  <p>Drawer bottom - 1pc</p>	<p>R</p>  <p>Door - 1pc</p>
<p>S</p>  <p>Top panel - 1pc</p>	<p>S3</p>  <p>Divider panel - 1pc</p>	<p>S4</p>  <p>Bottom panel - 1pc</p>
<p>S5</p>  <p>Shelf panel - 2pcs</p>	<p>T</p>  <p>Horizontal bar - 1pc</p>	<p>U</p>  <p>Top panel - 1pc</p>
<p>V</p>  <p>Horizontal bar (Front) - 1pc</p>	<p>V1</p>  <p>Horizontal bar (Back) - 1pc</p>	<p>W</p>  <p>Support drawer - 2pcs</p>
<p>X</p>  <p>Front drawer panel - 1pc</p>	<p>X1</p>  <p>Left / right drawer panel - 2pcs</p>	<p>X2</p>  <p>Back drawer panel - 1pc</p>
<p>X3</p>  <p>Drawer bottom - 1pc</p>		

Hardware List WF296929

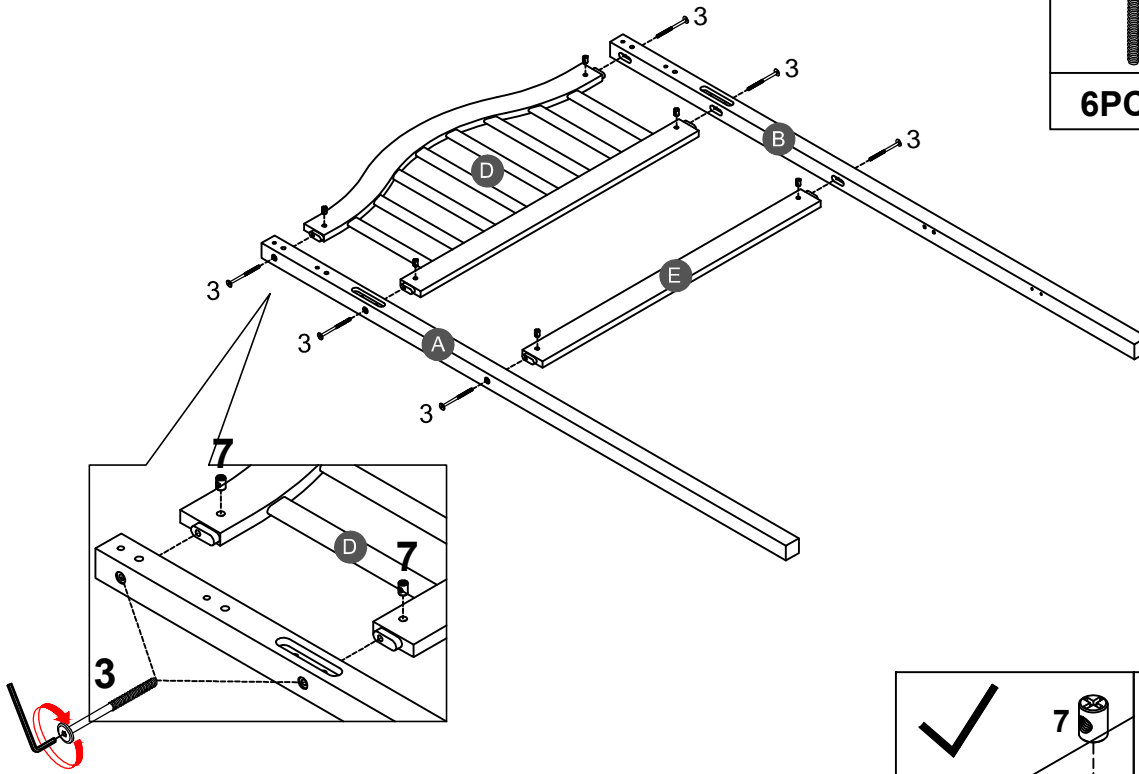
1  Ø8*30mm Wood dowel (33pcs)	2  (Ø15)1/4"*100mm Hex-Head bolts (18pcs)	3  (Ø15)1/4"*80mm Hex-Head bolts (14pcs)
4  (Ø12)1/4"*60mm Hex-Head bolts (52pcs)	5  (Ø12)1/4"*35mm Hex-Head bolts (2pcs)	6  (Ø12)1/4"*30mm Hex-Head bolts (6pcs)
7  1/4"*15 (9.5mm) Horizontal-Hole bolts(84pcs)	8  (Ø12)1/4"*40mm Hex-Head bolts (40pcs)	9  (1/4")4.5*58mm Allen key (1pc)
10  Ø10*40mm Wood dowel (8pcs)	11  Ø3.5*15mm Wood screws (12pcs)	12  Ø4*30mm Wood screws (28pcs)
13  81*26*21*(2.5mm) Hooks (2pcs)	14  Ø4*19mm Wood screws (6pcs)	15  266*30mm Upper slider drawer (2pcs)
16  Ø3.5*15mm Wood screws (40pcs)	17  70*37*28mm Metal bracket (2pcs)	18  45*17*13mm Door catch (1pc)
19  42*12*1mm Metal magnet (1pc)	20  29*16*14mm Shelf pin (8pcs)	21  40*17*17*1.6mm Metal bracket (4pcs)
22  Ø38*31mm Wood knob (3pcs)	23  3/16*30mm Hex-Head bolts (3pcs)	



ASSEMBLY TOOLS REQUIRED (NOT INCLUDED)



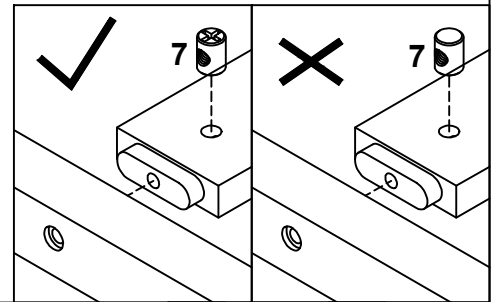
PLEASE BE CAREFUL DO NOT DAMAGE THE HOLE POSITION WHEN YOU USE POWER TOOLS !

STEP 1:

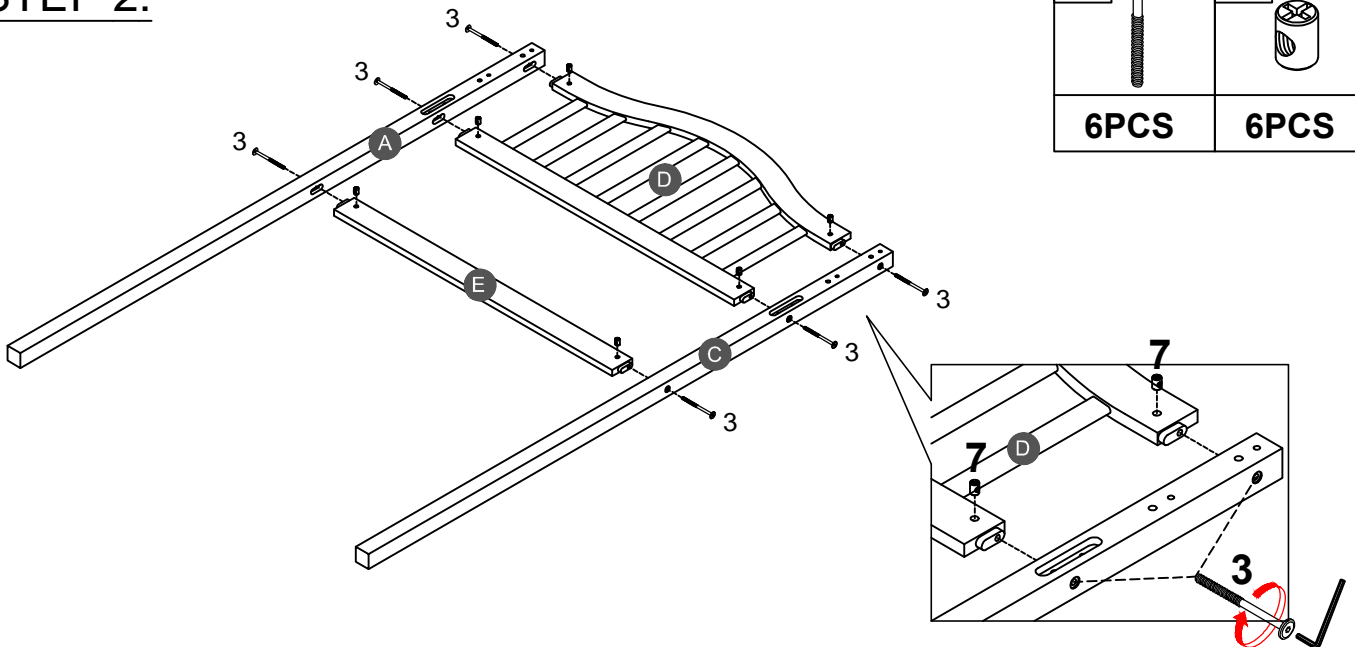




3	7
	
6PCS	6PCS

Note: Part 7 will face up with the "x" mark on it, otherwise it cannot be tightened

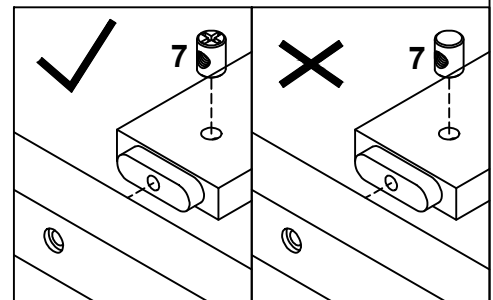


STEP 2:

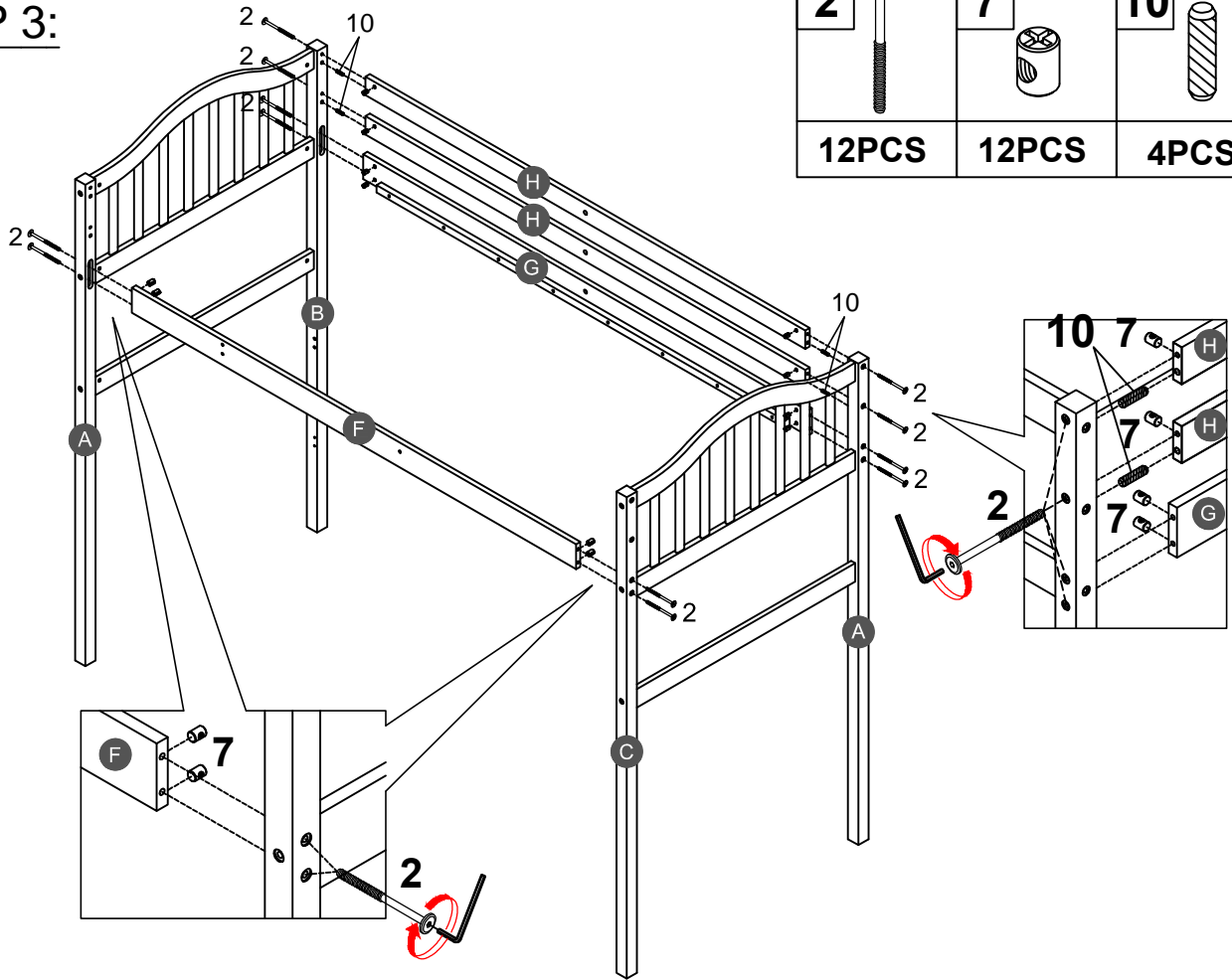


3	7
	
6PCS	6PCS

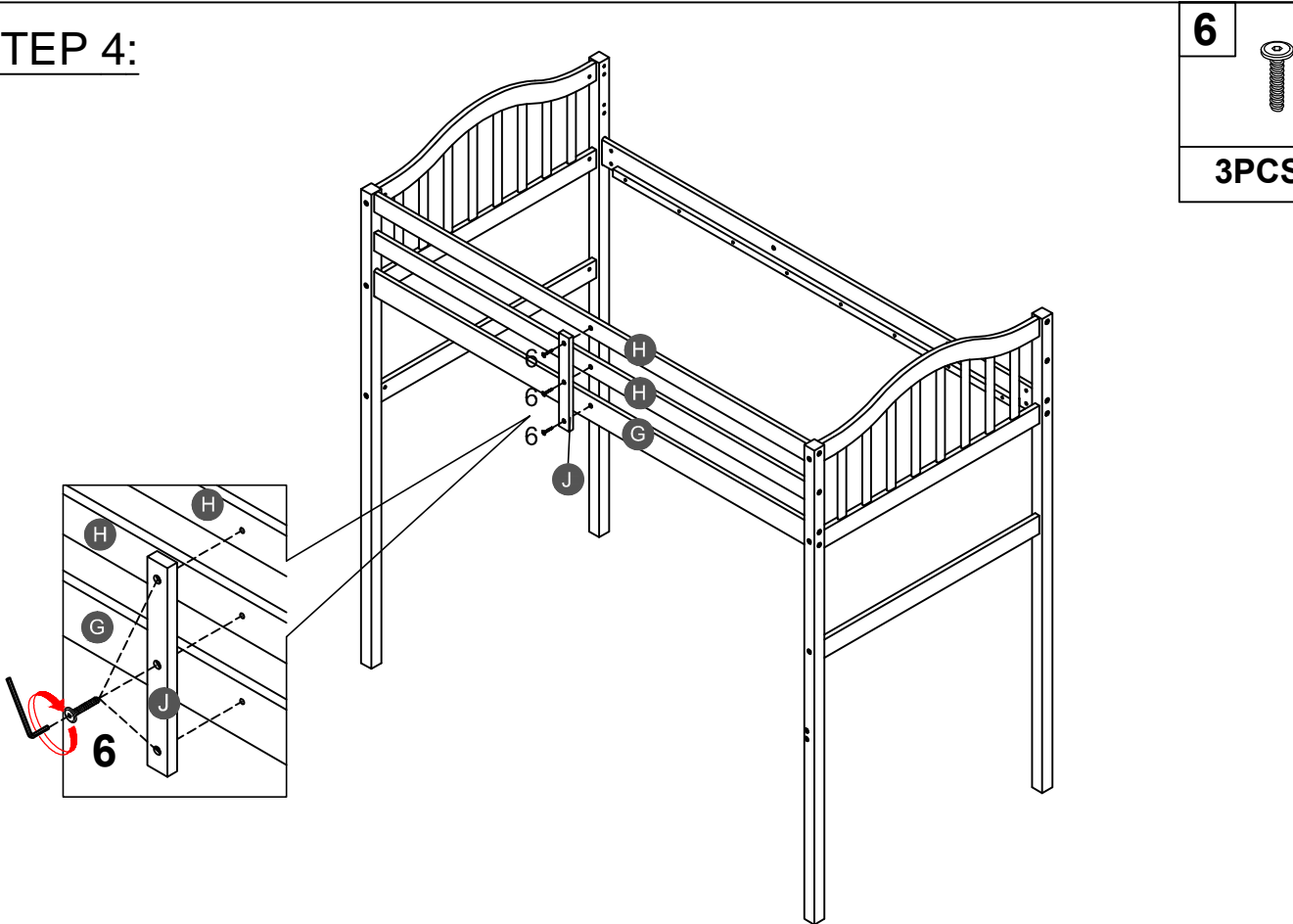
Note: Part 7 will face up with the "x" mark on it, otherwise it cannot be tightened





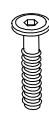


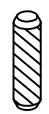
STEP 3:

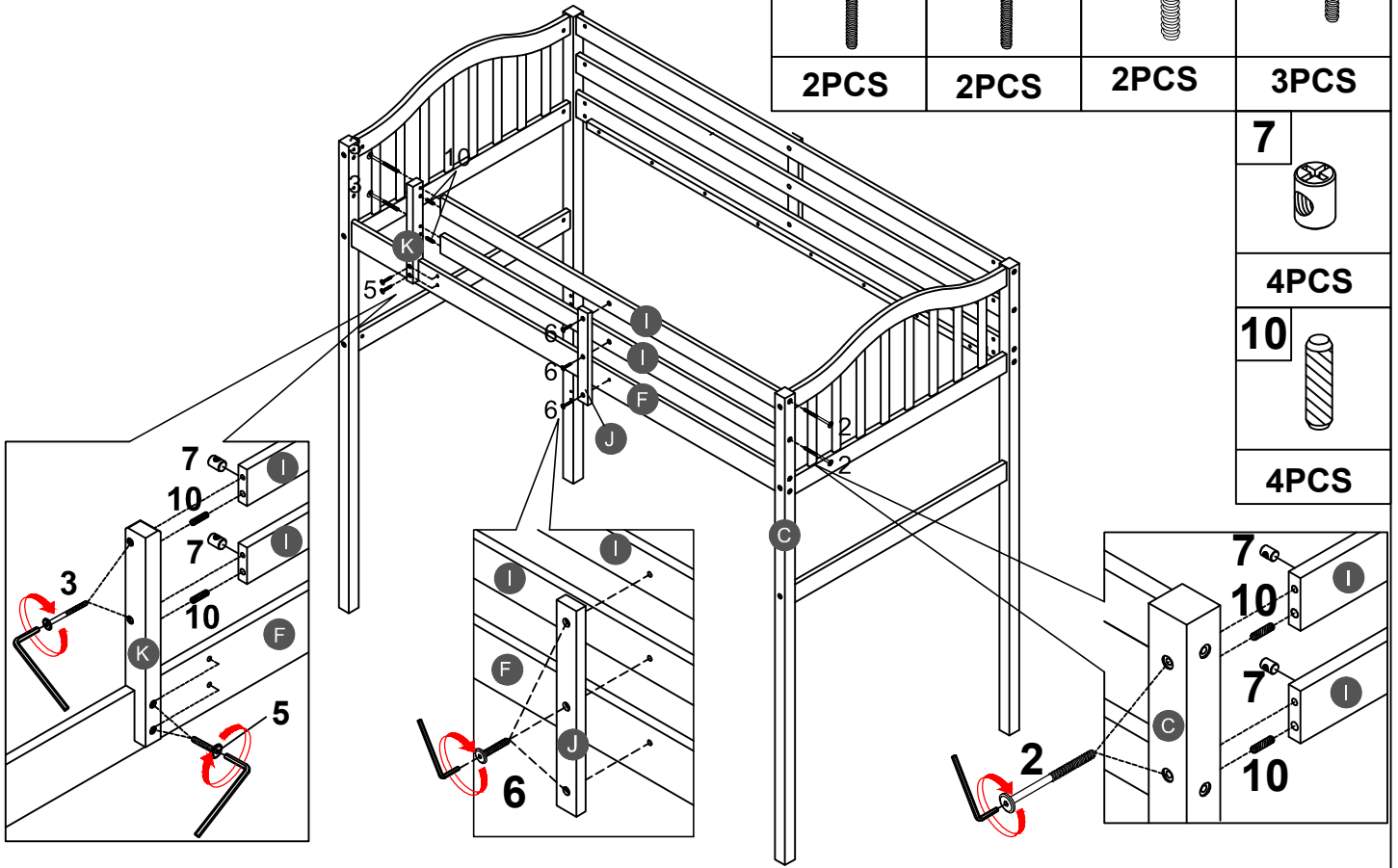


STEP 4:


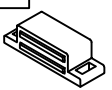


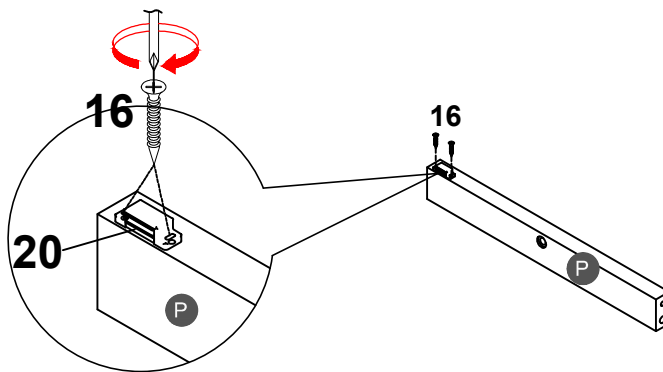
STEP 5:

2		3		5		6		
	2PCS		2PCS		2PCS		3PCS	
							7	
								4PCS
							10	
								4PCS





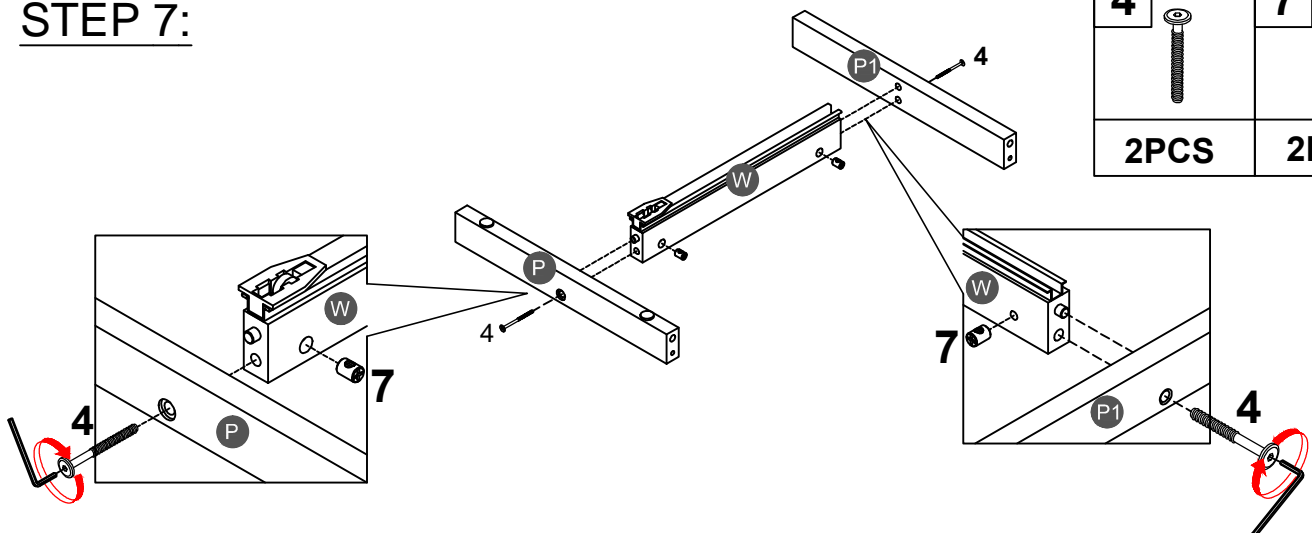
STEP 6:

16		18	
	2PCS		1PC

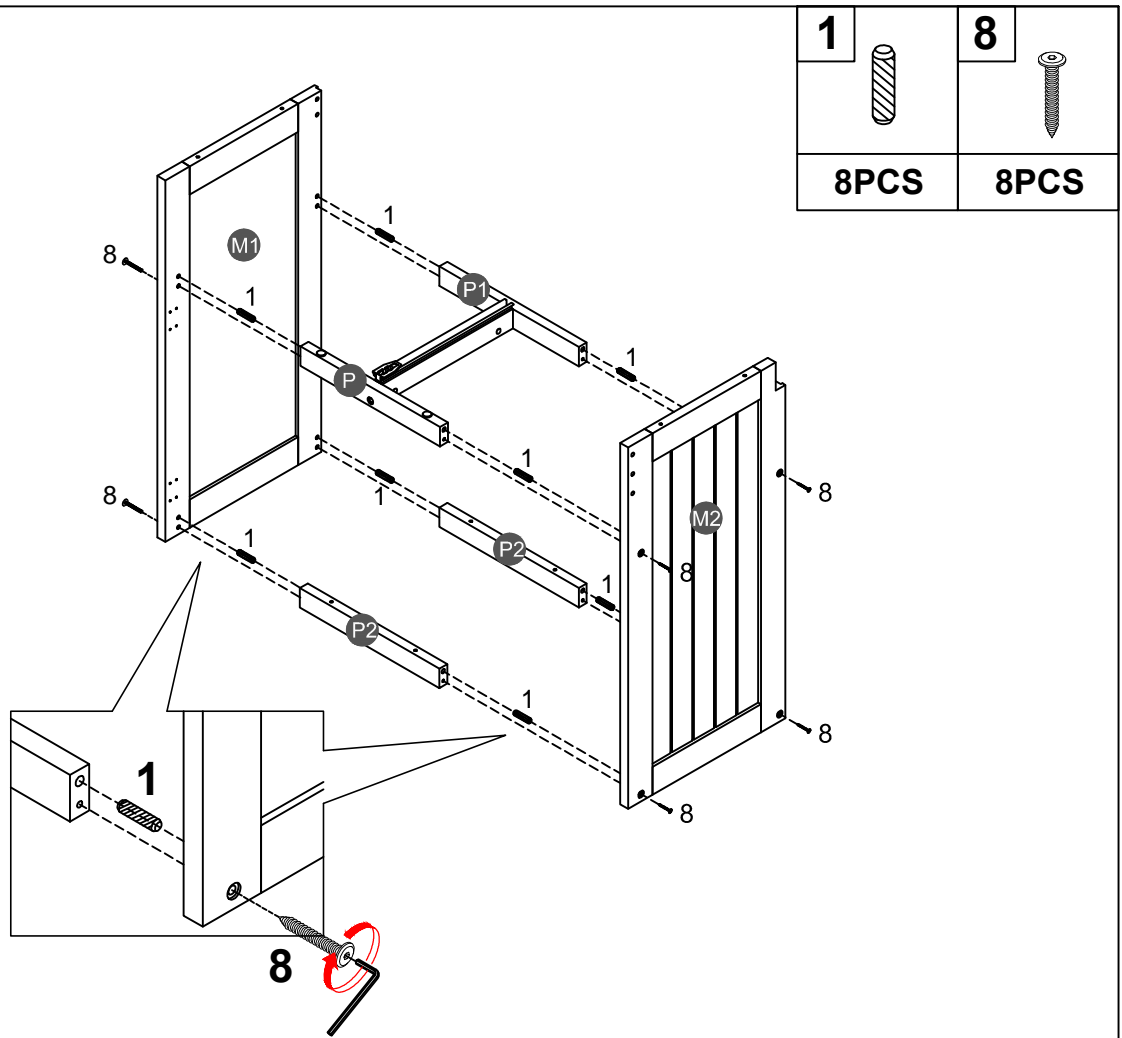


STEP 7:

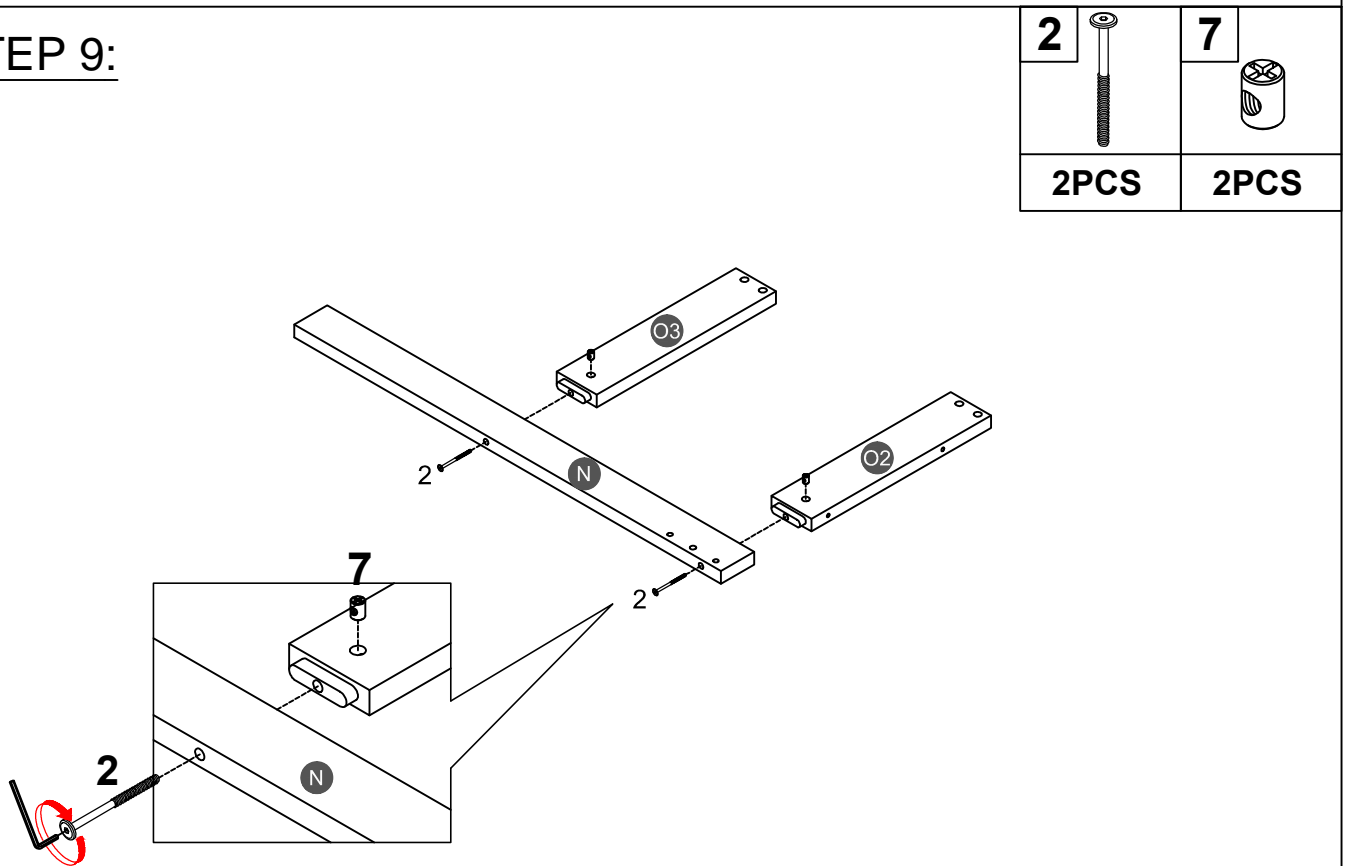
4		7	
	2PCS		2PCS



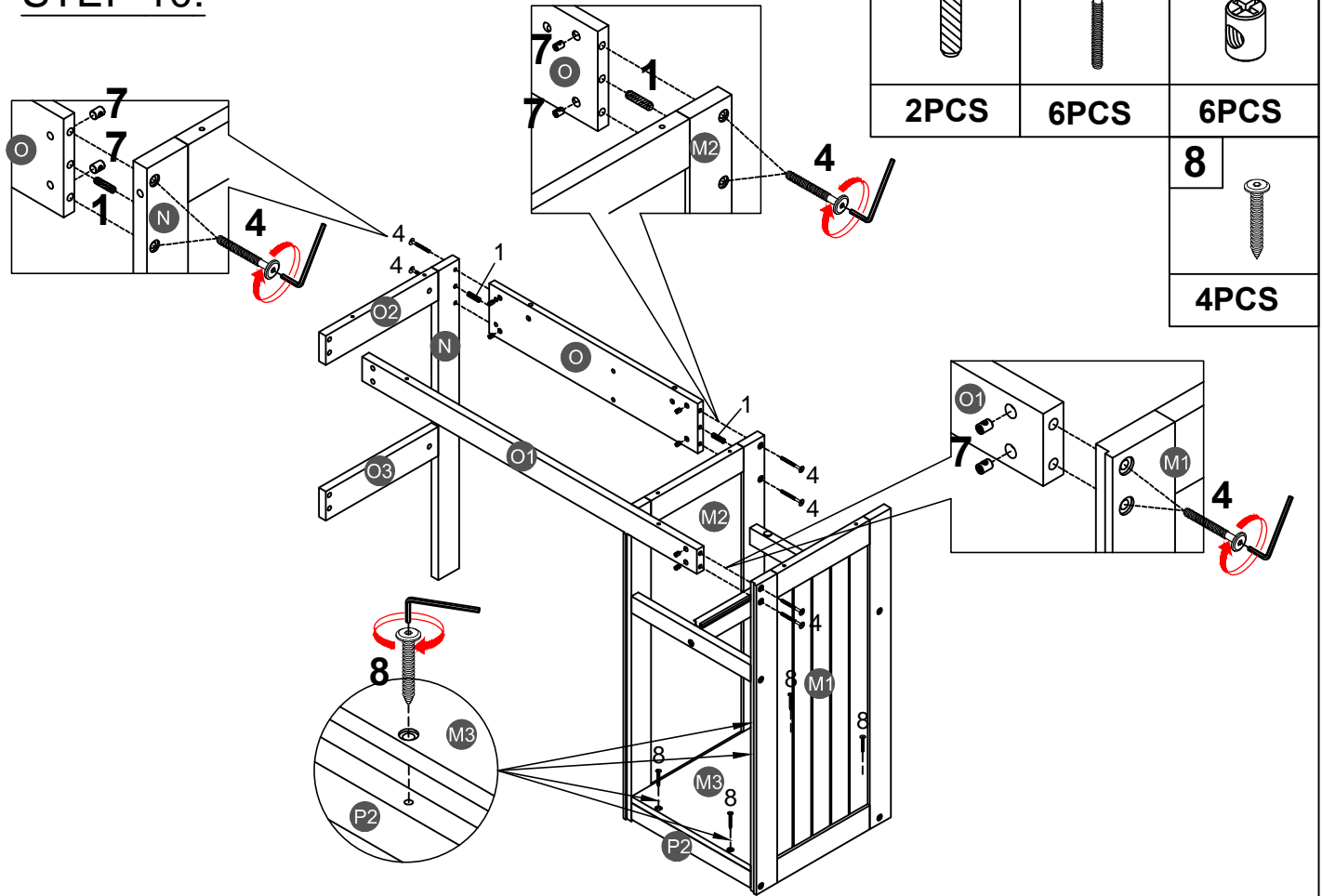
STEP 8:



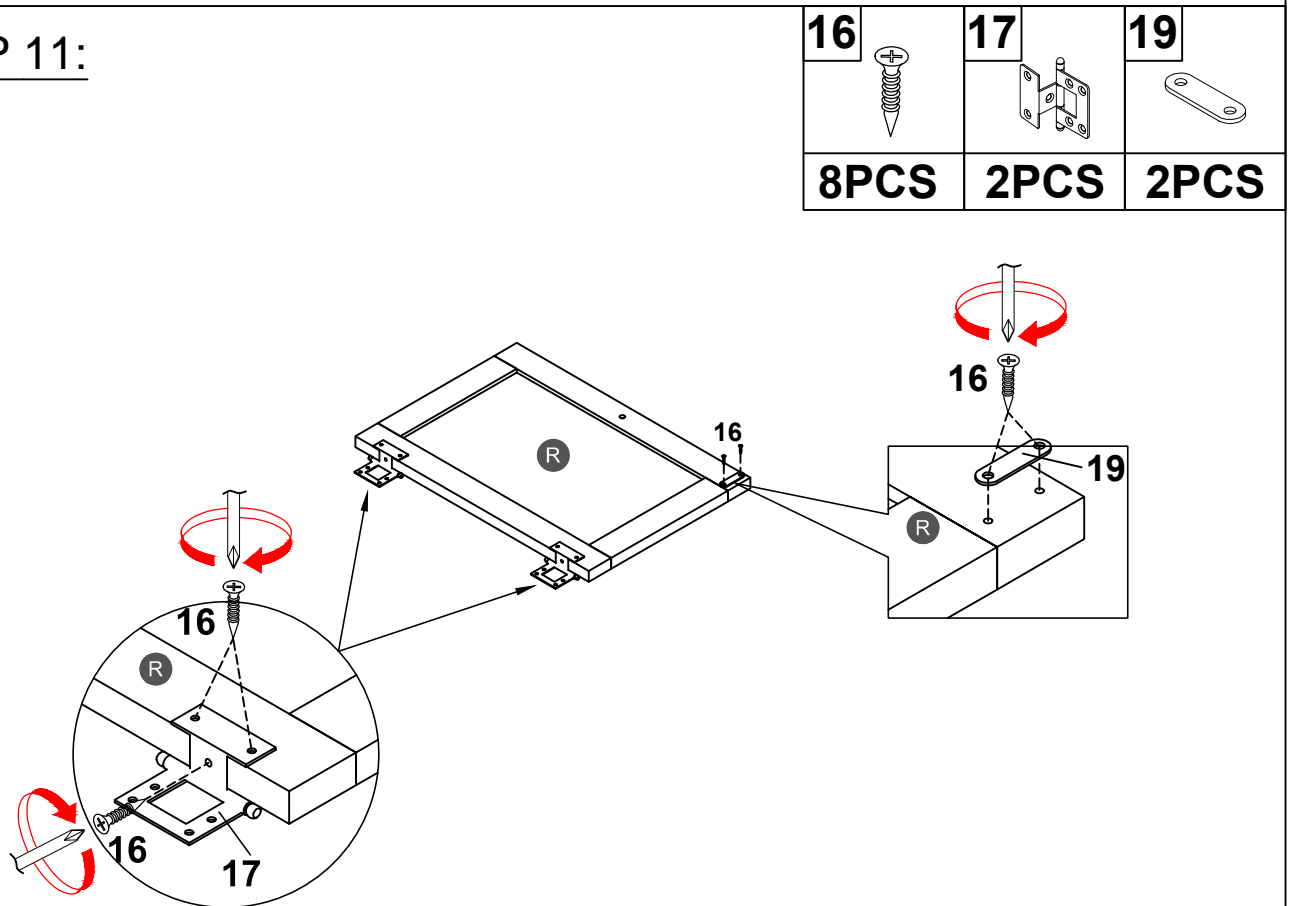
STEP 9:






STEP 10:

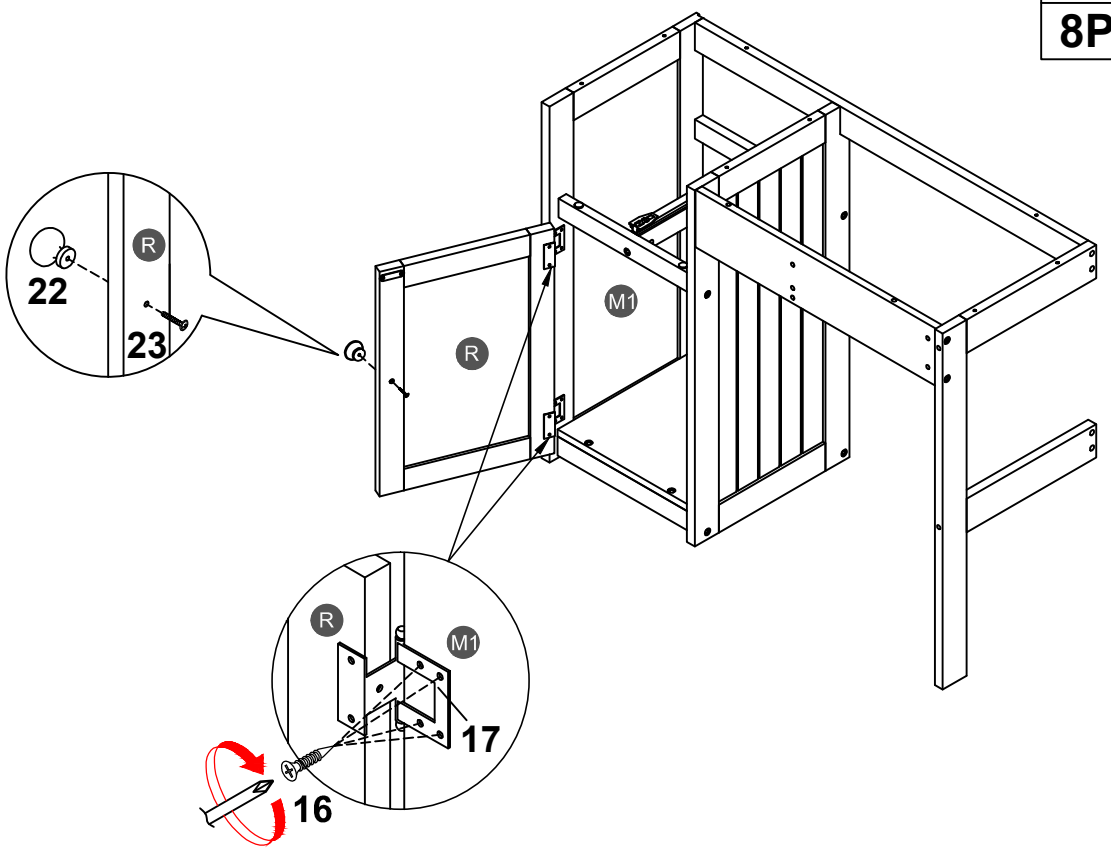


STEP 11:






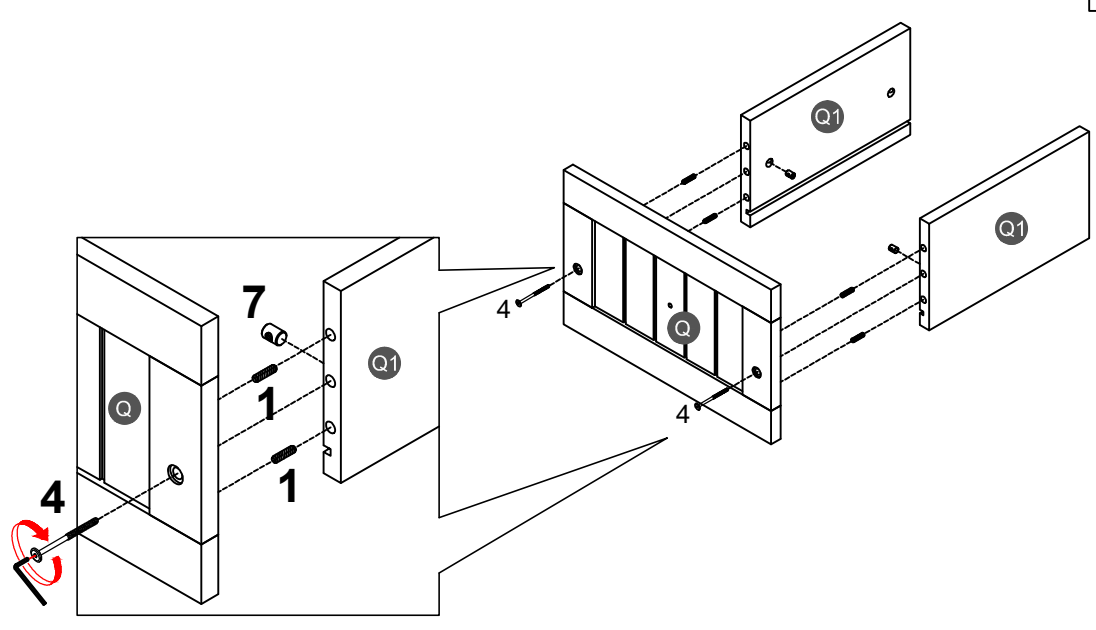
STEP 12:

16		22	
8PCS		1PC	
		23	
		1PC	

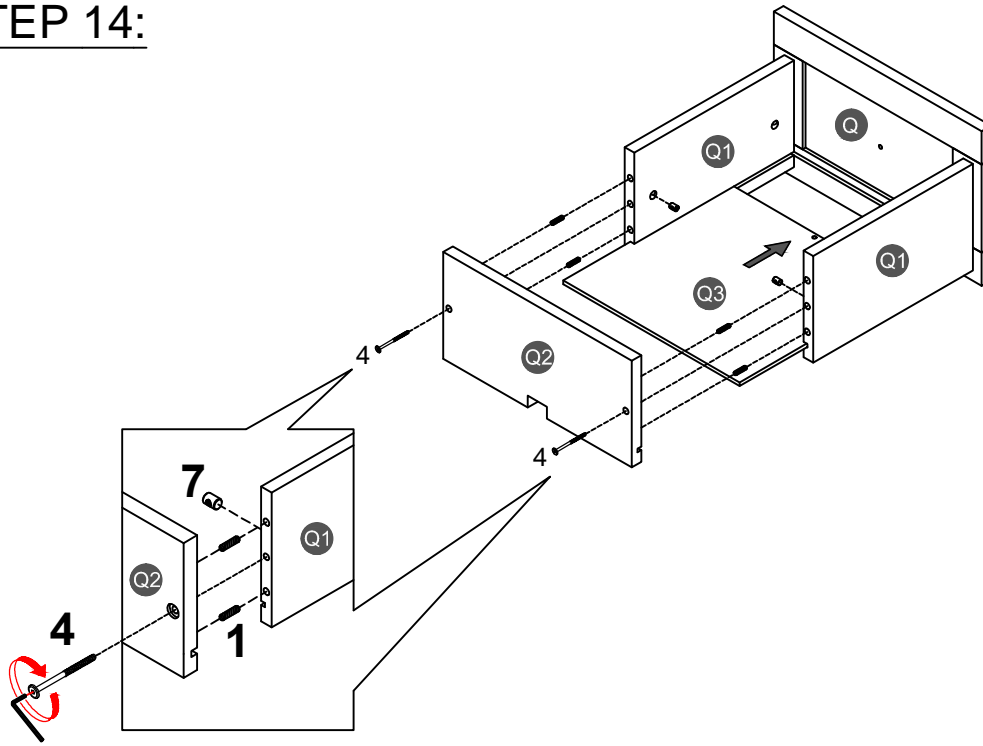


STEP 13:

1		4	
4PCS		2PCS	
		7	
		2PCS	

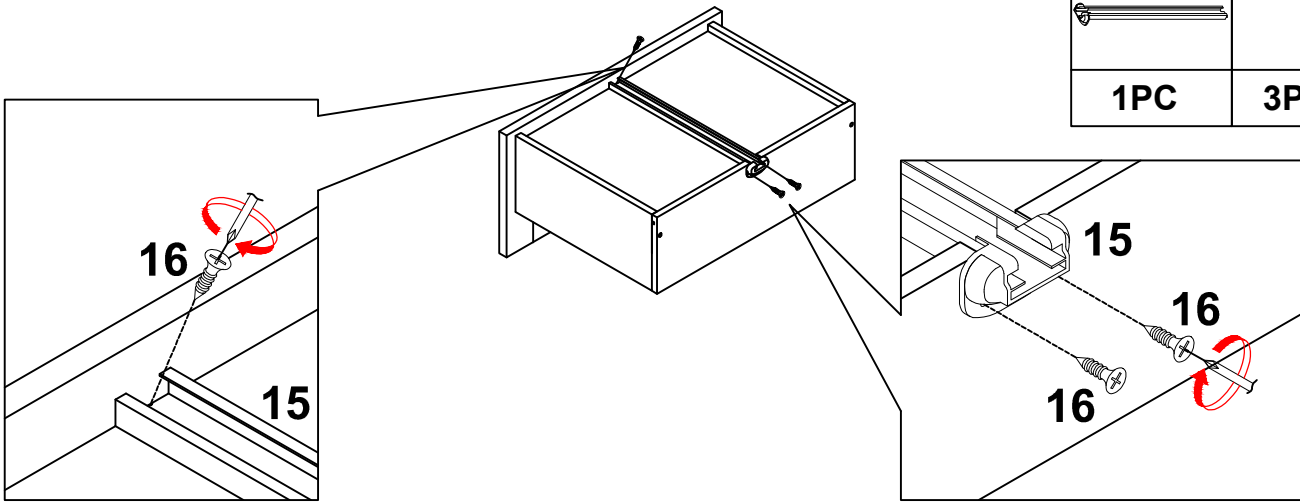


STEP 14:



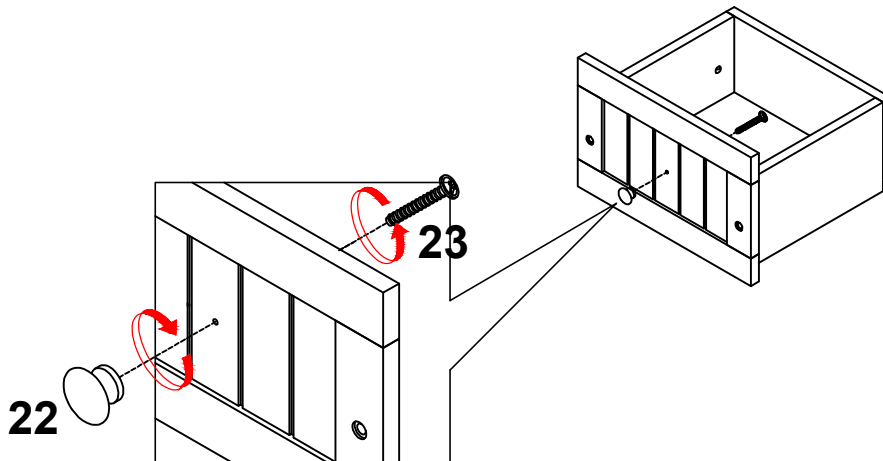
1		4	
4PCS		2PCS	
		7	
		2PCS	

STEP 15:



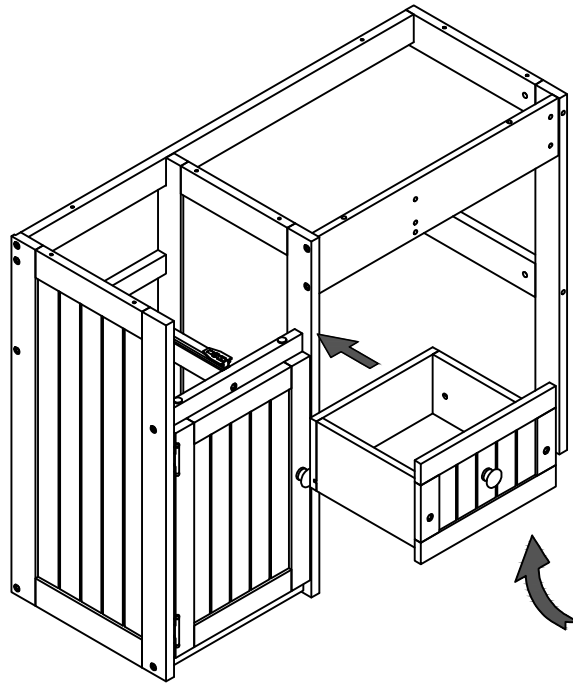
15		16	
1PC		3PCS	

STEP 16:

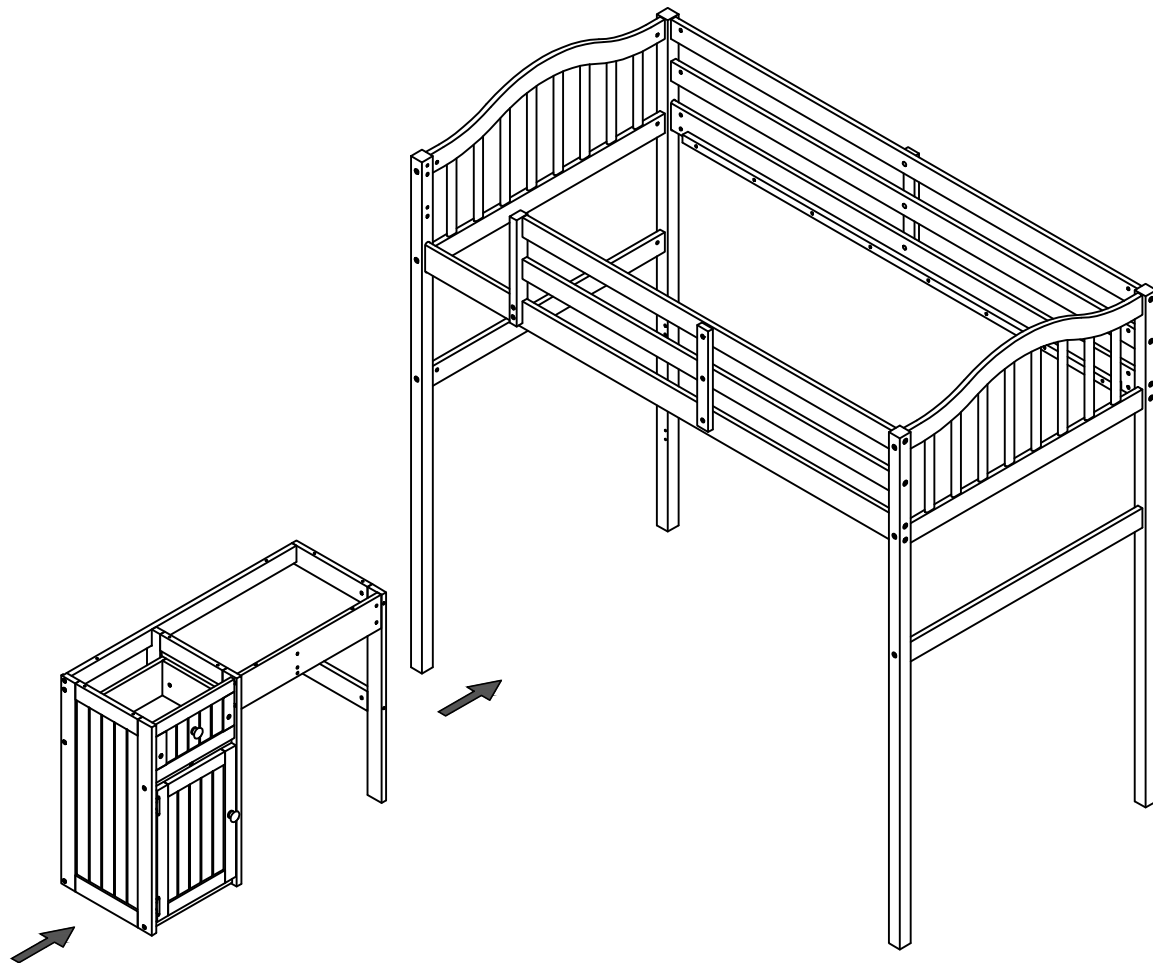


22		23	
1PC		1PC	

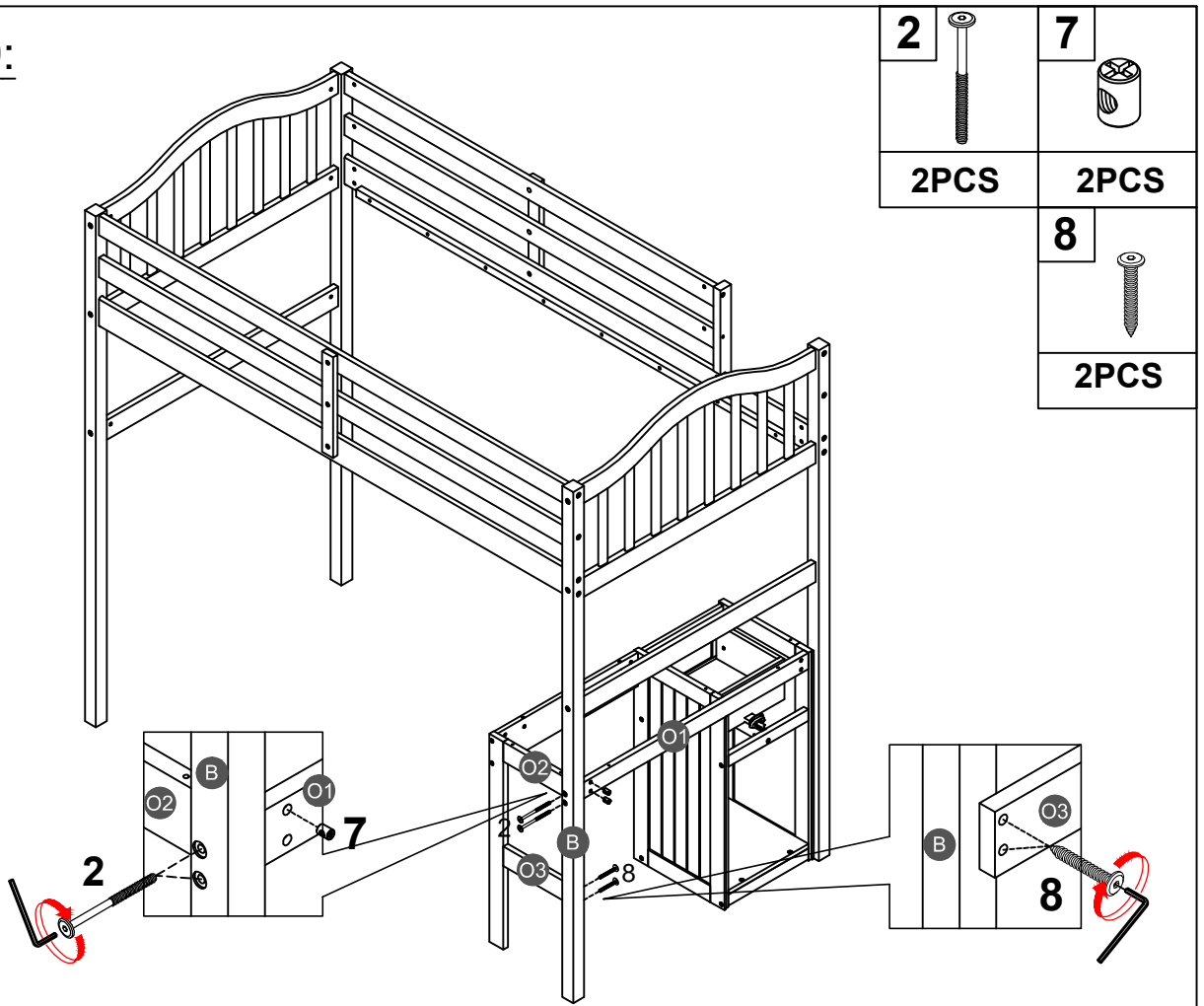
STEP 17:



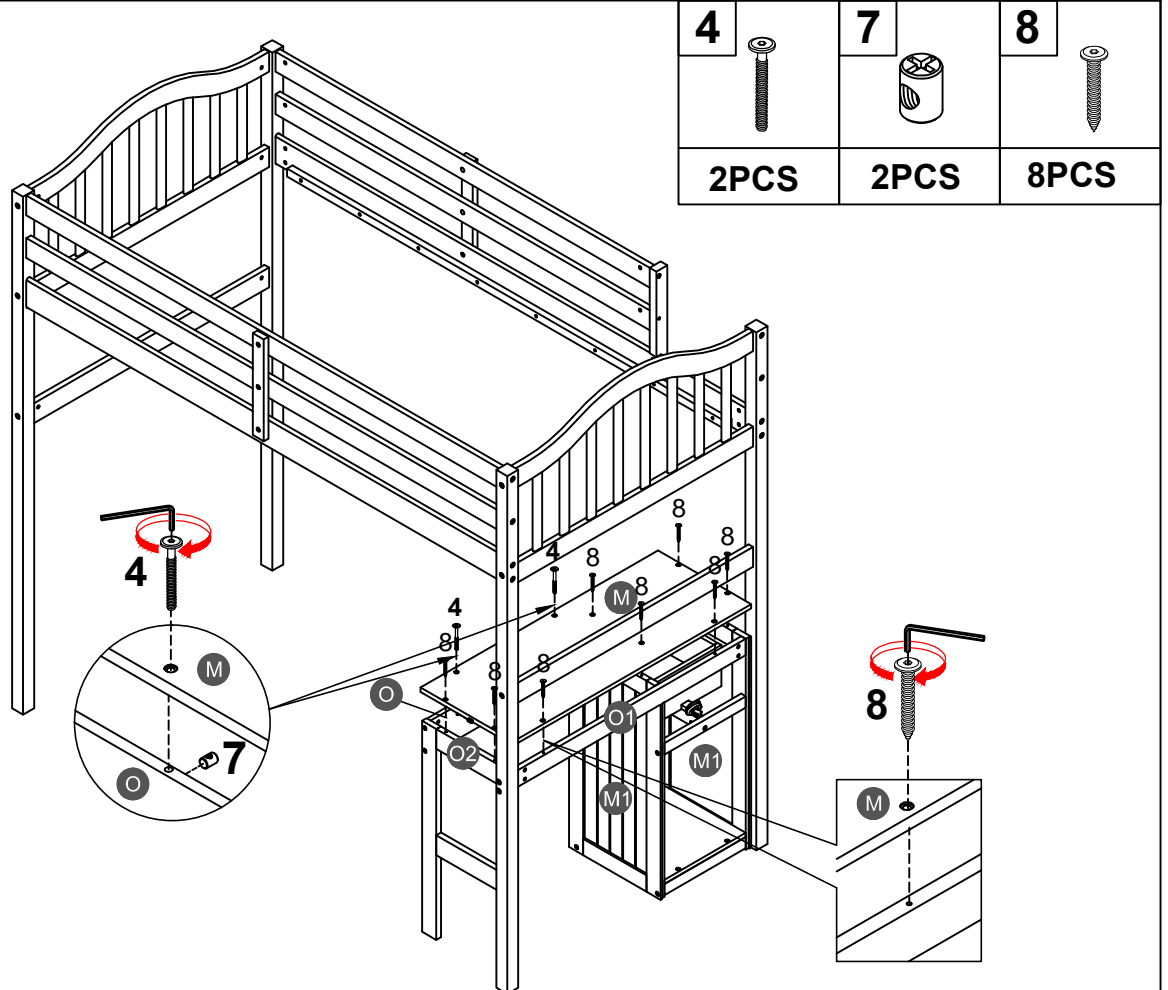
STEP 18:



STEP 19:



STEP 20:

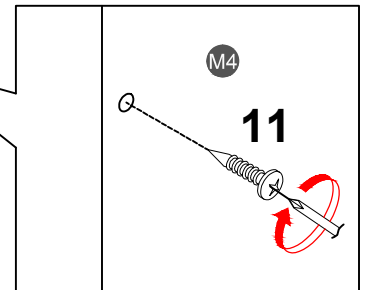
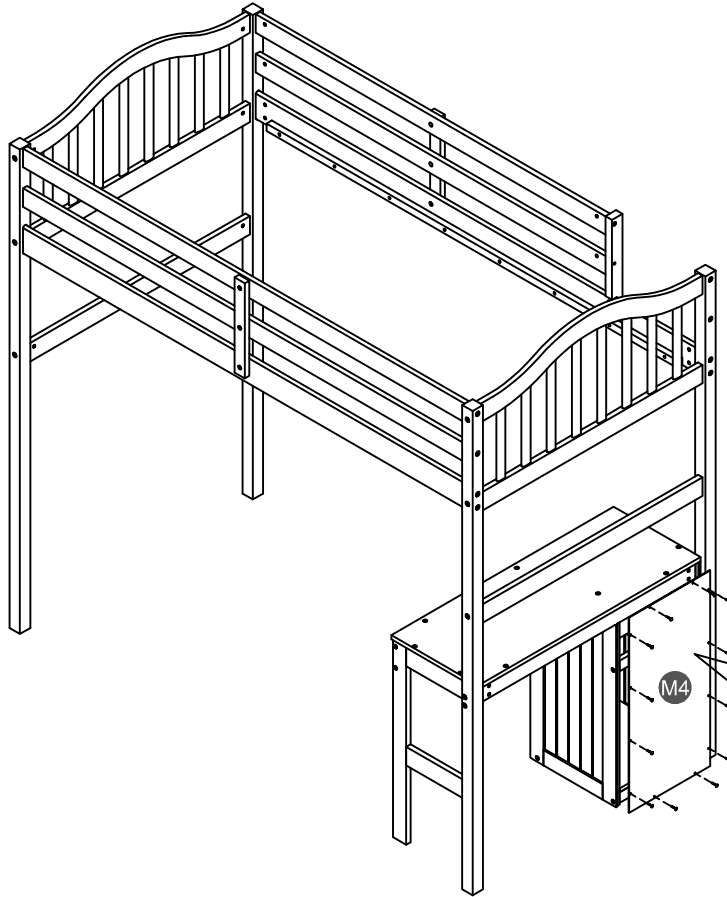


STEP 21:

11



12PCS

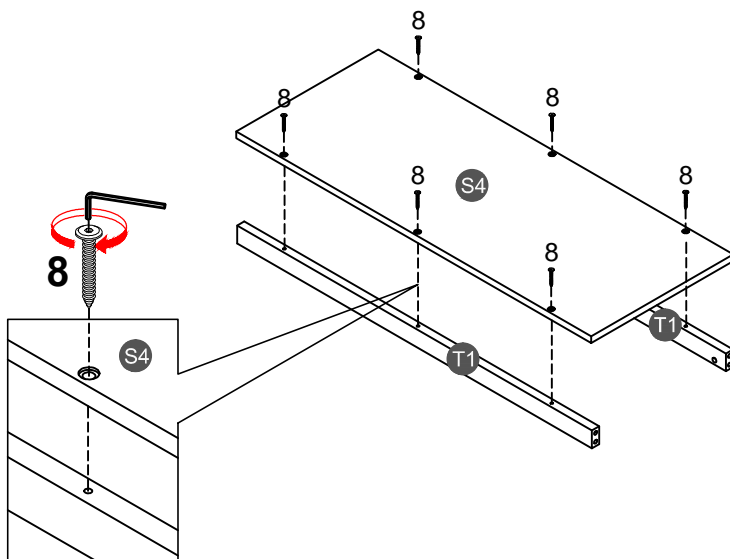


STEP 22:

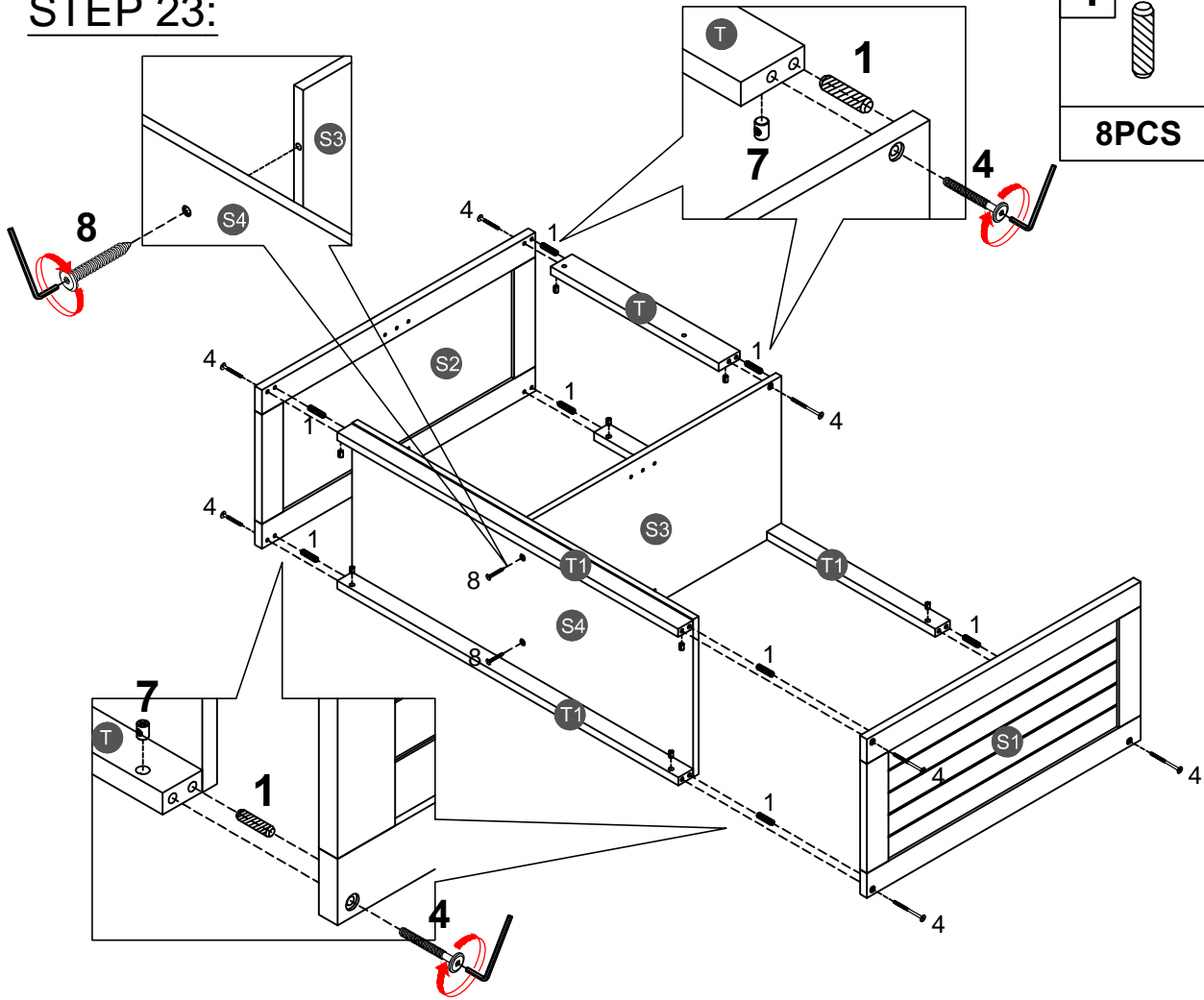
8



6PCS

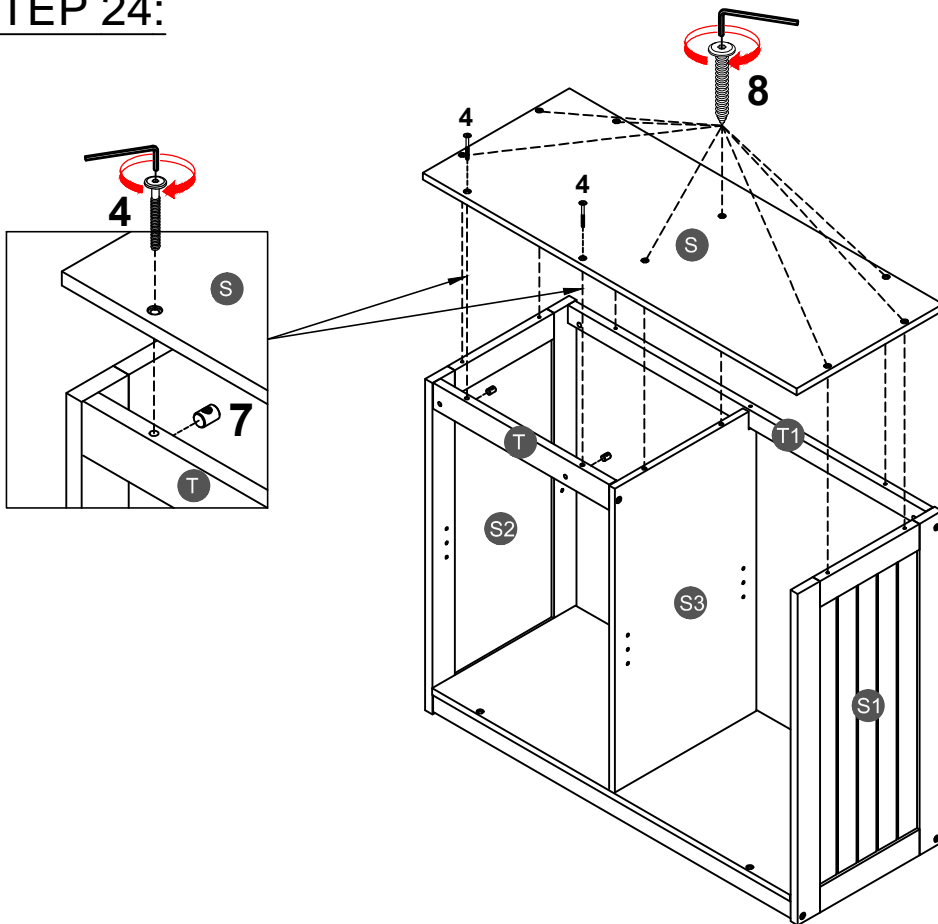


STEP 23:



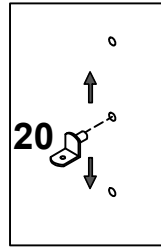
1		4	
8PCS		8PCS	
7			
8PCS			
8			
2PCS			

STEP 24:



4		7	
2PCS		2PCS	
8			
8PCS			

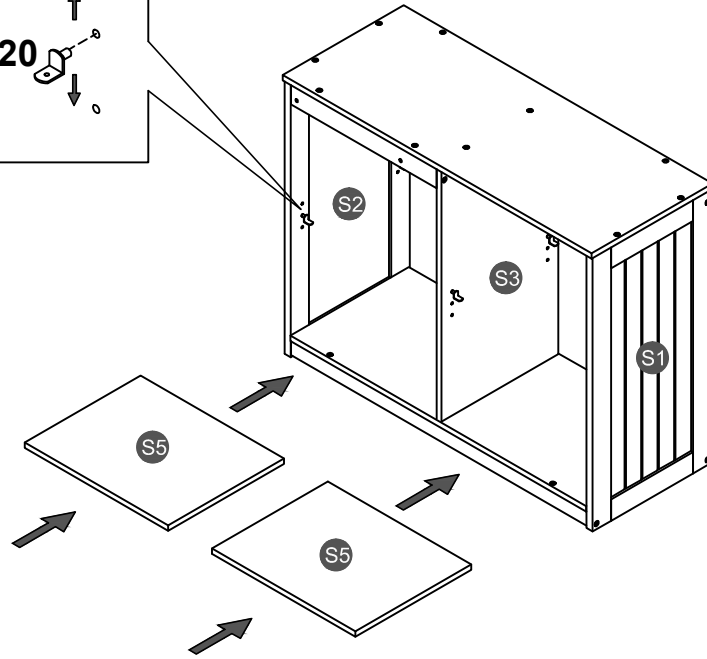
STEP 25:



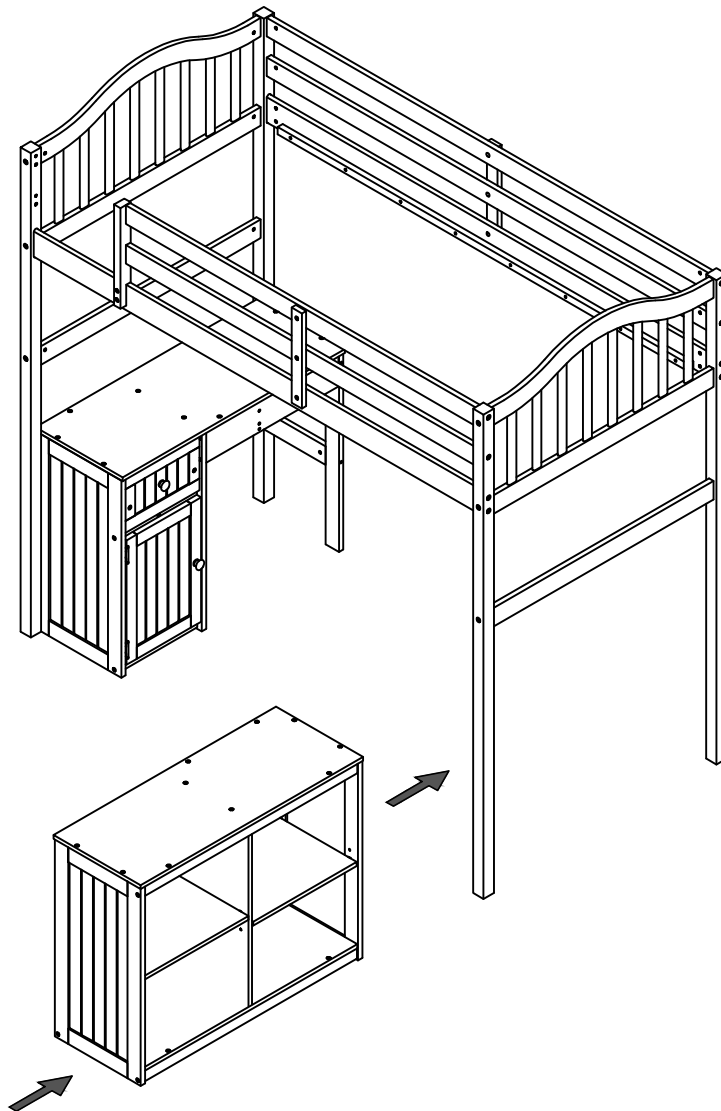
20



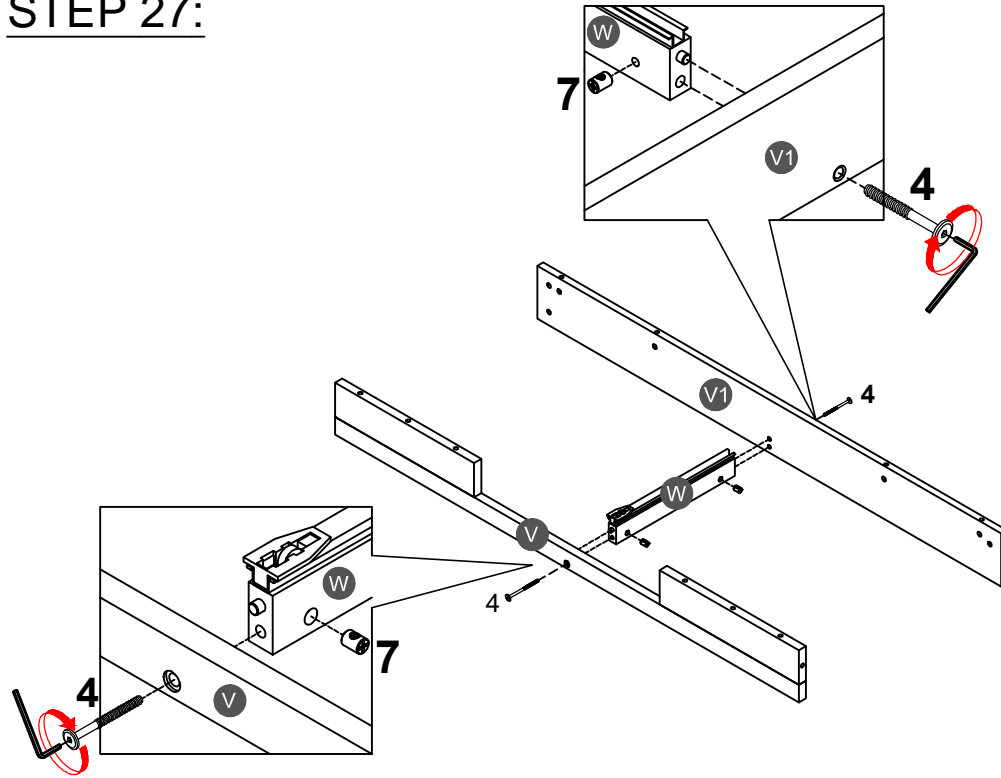
8PCS





STEP 26:

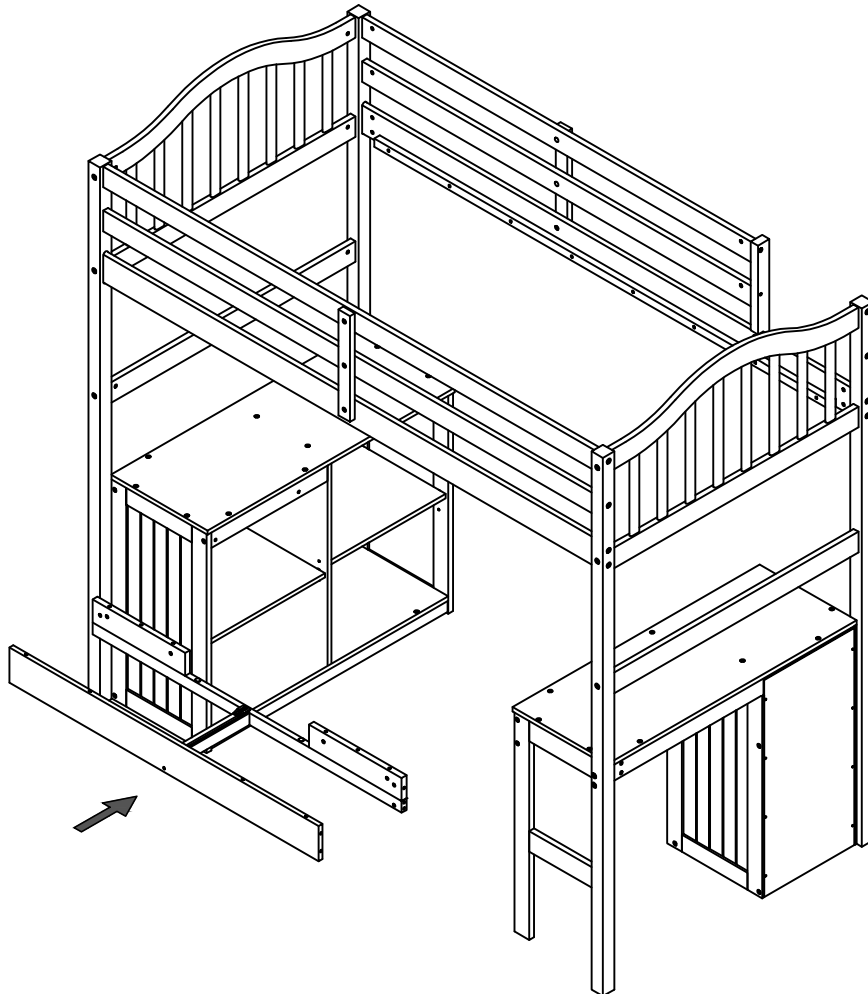


STEP 27:






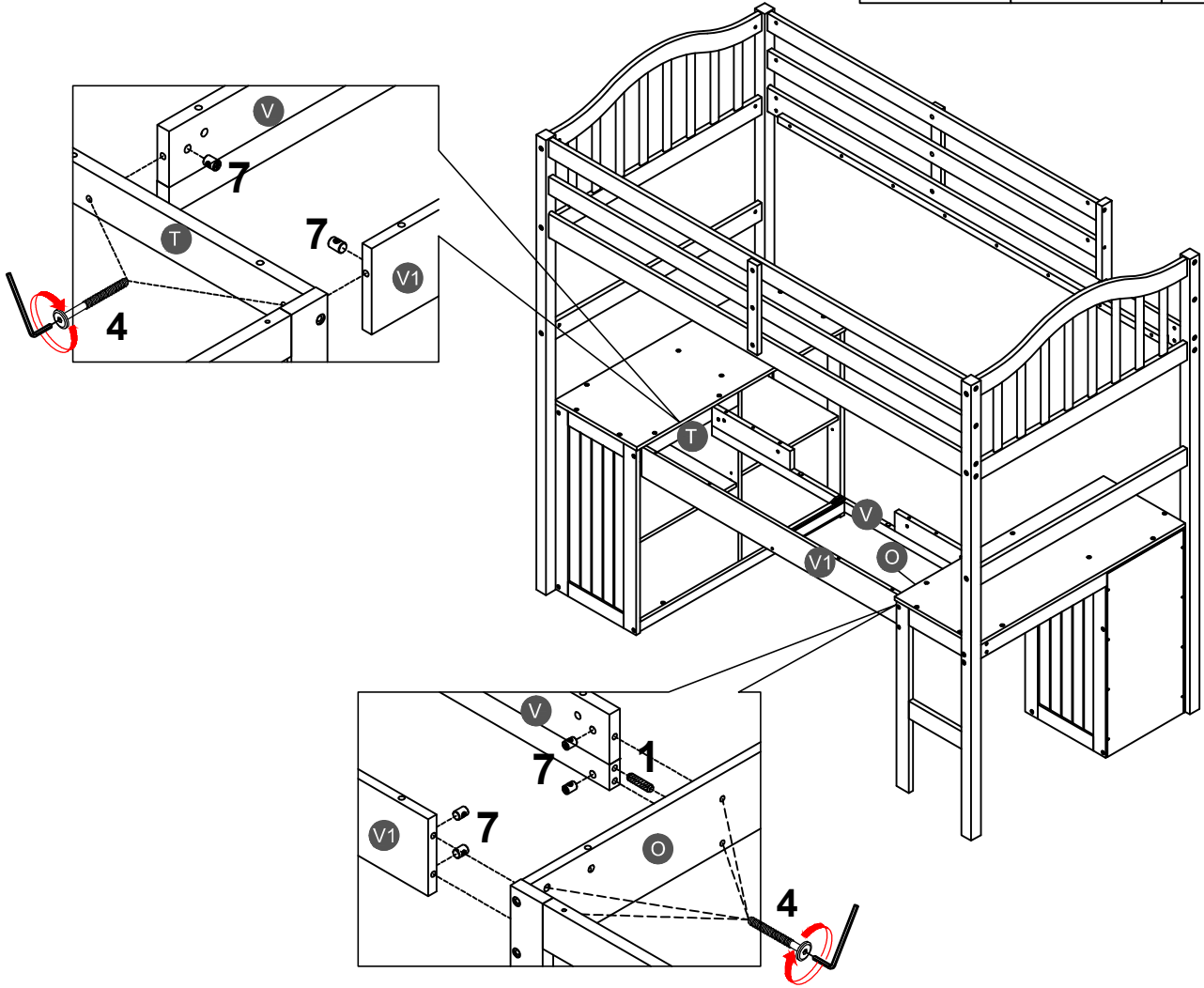
4		7	
2PCS		2PCS	

STEP 28:






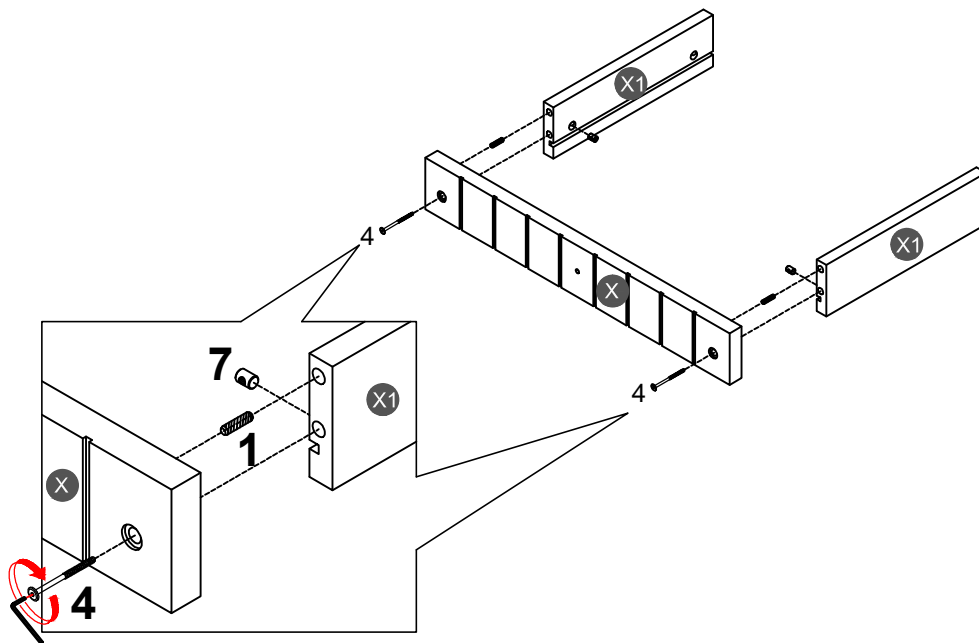
STEP 29:

1		4		7	
	1PC		6PCS		6PCS

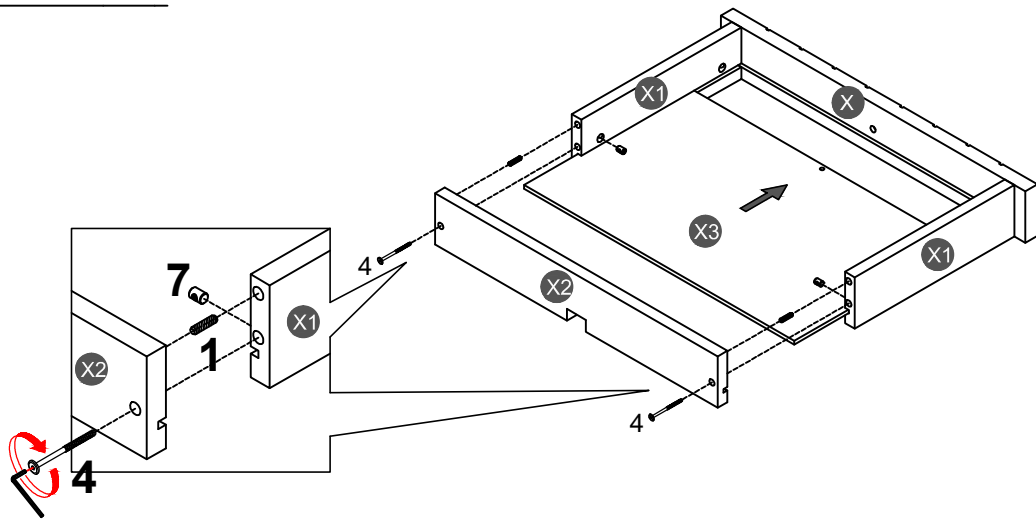


STEP 30:

1		4	
	2PCS		2PCS
		7	
			2PCS

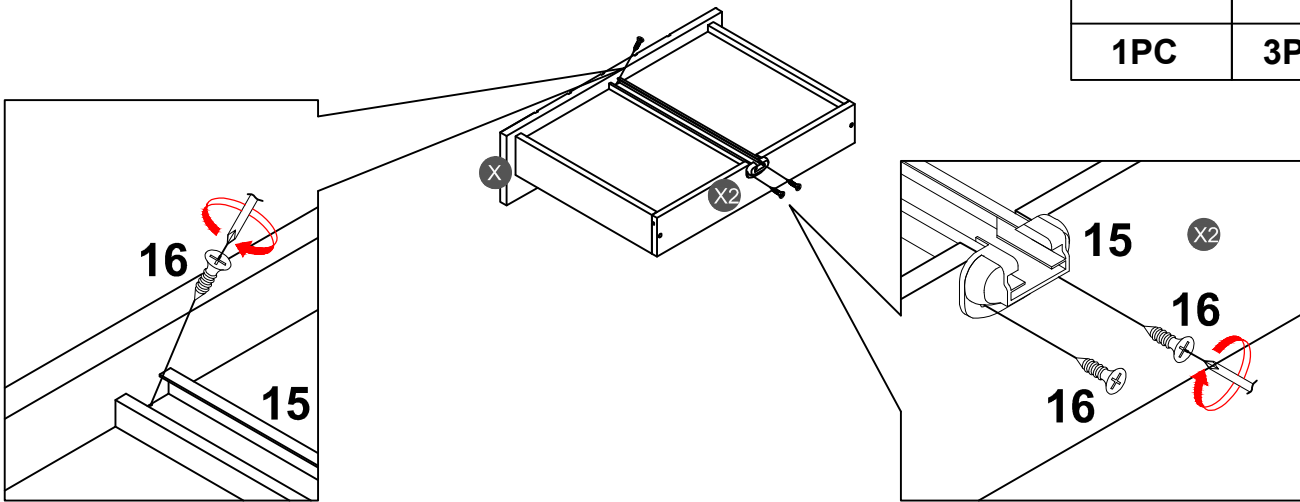


STEP 31:



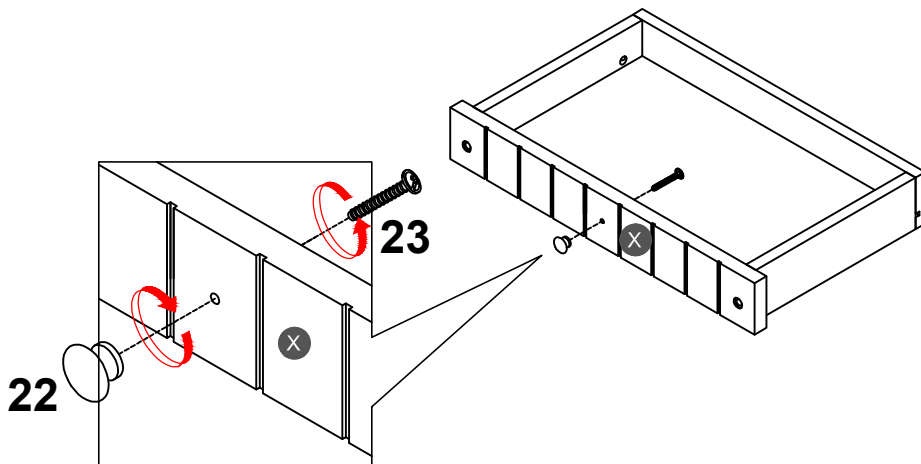
1		4	
2PCS		2PCS	
7			
2PCS			

STEP 32:






15		16	
1PC		3PCS	

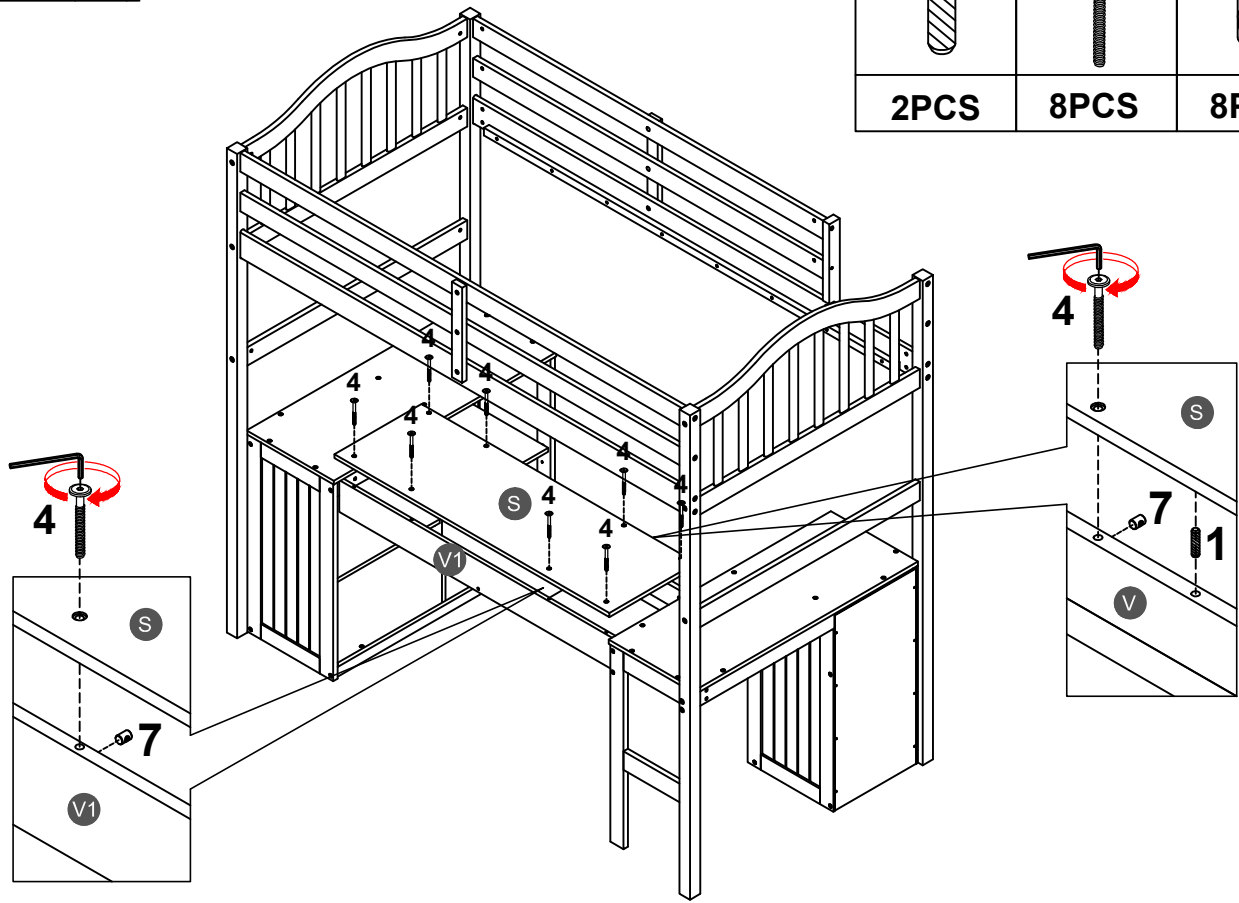
STEP 33:




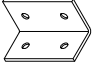
22		23	
1PC		1PC	

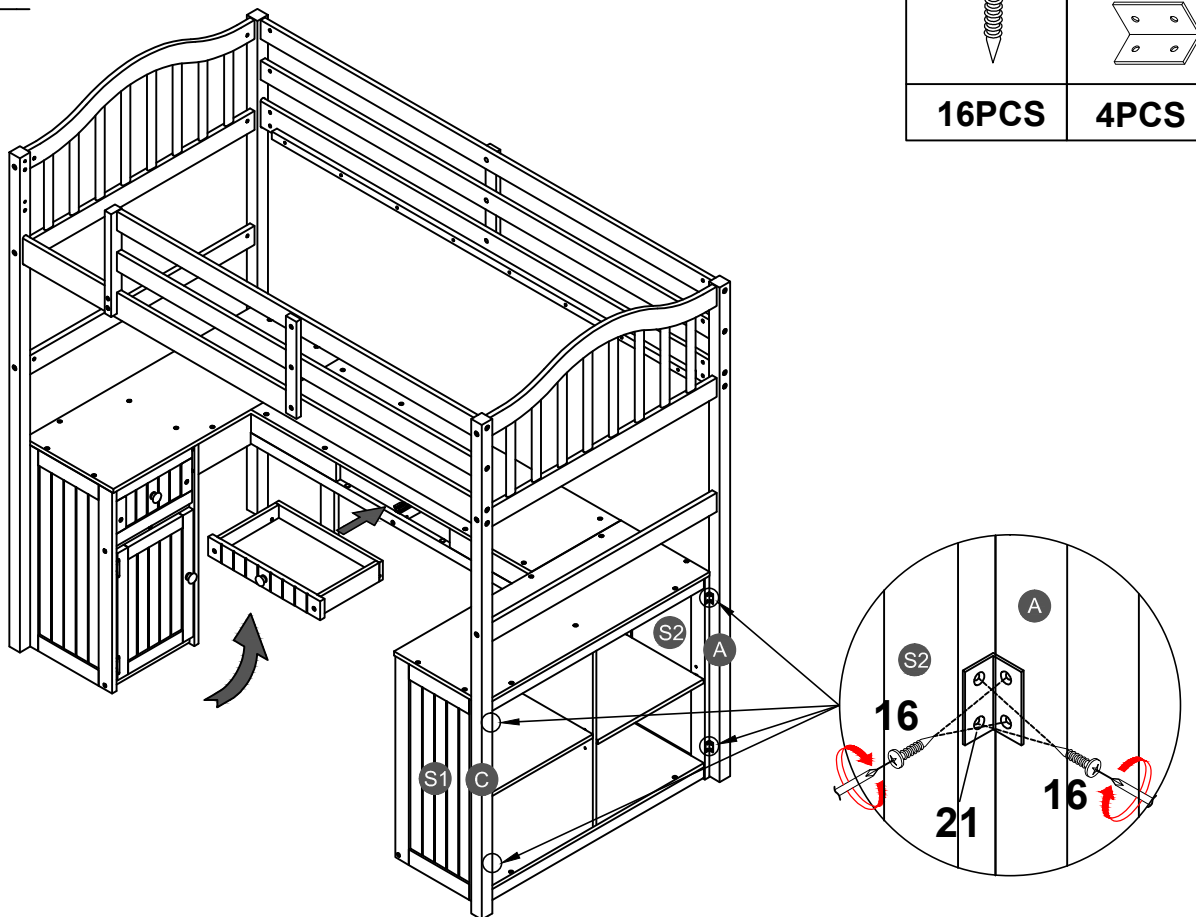
STEP 34:

1		4		7	
		2PCS	8PCS	8PCS	



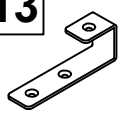



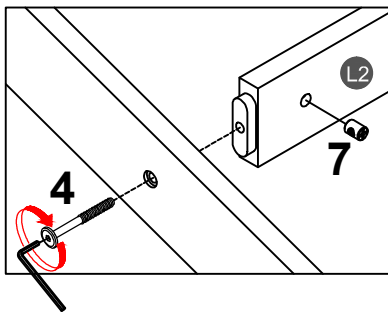
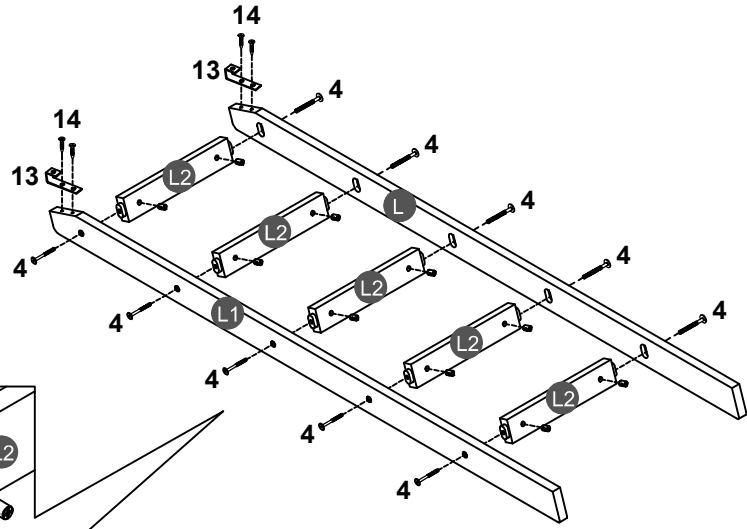
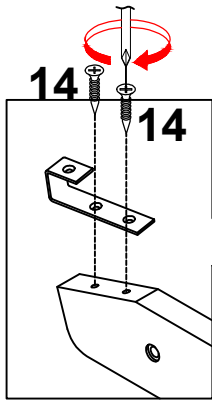
STEP 35:

16		21	
		16PCS	4PCS




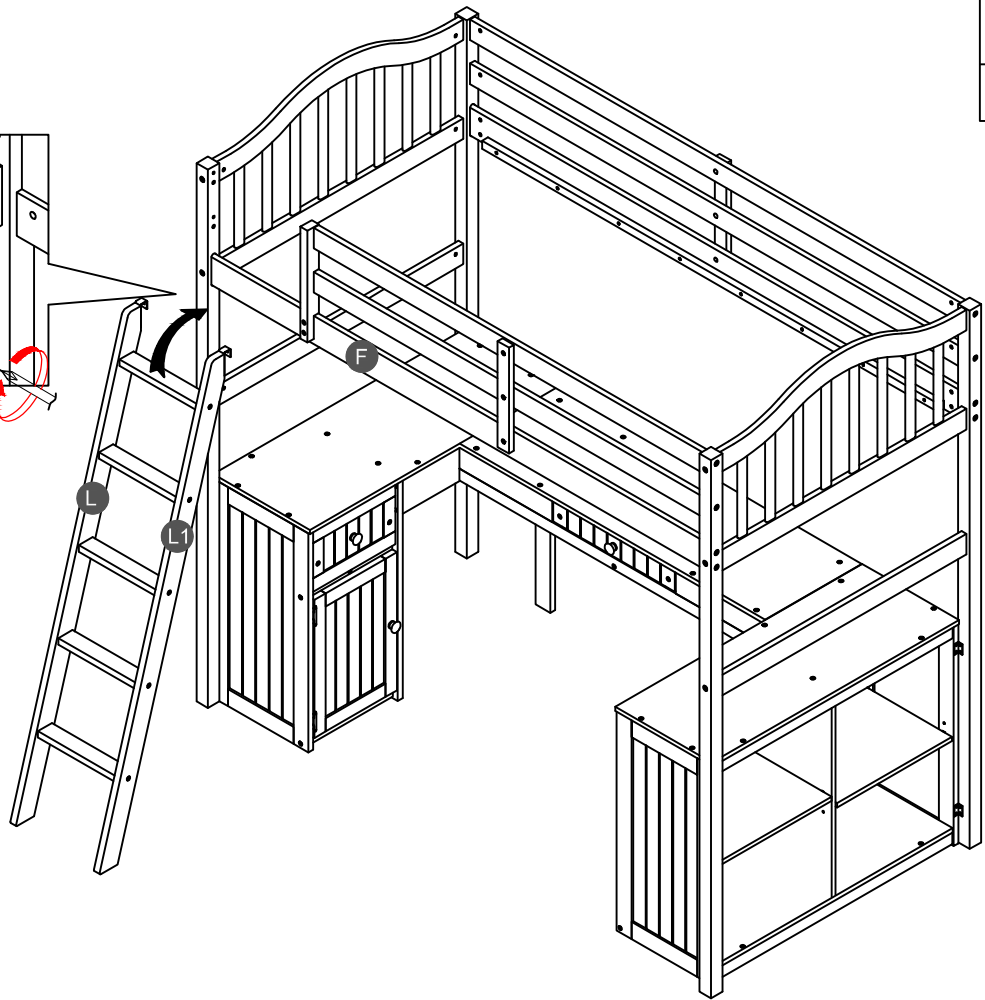
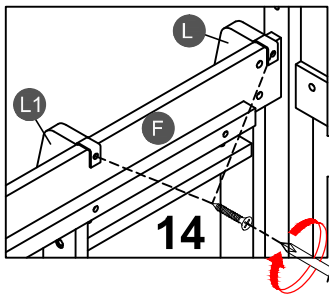
STEP 36:

4		7		13		14	
10PCS		10PCS		2PCS		4PCS	



STEP 37:

14	
2PCS	

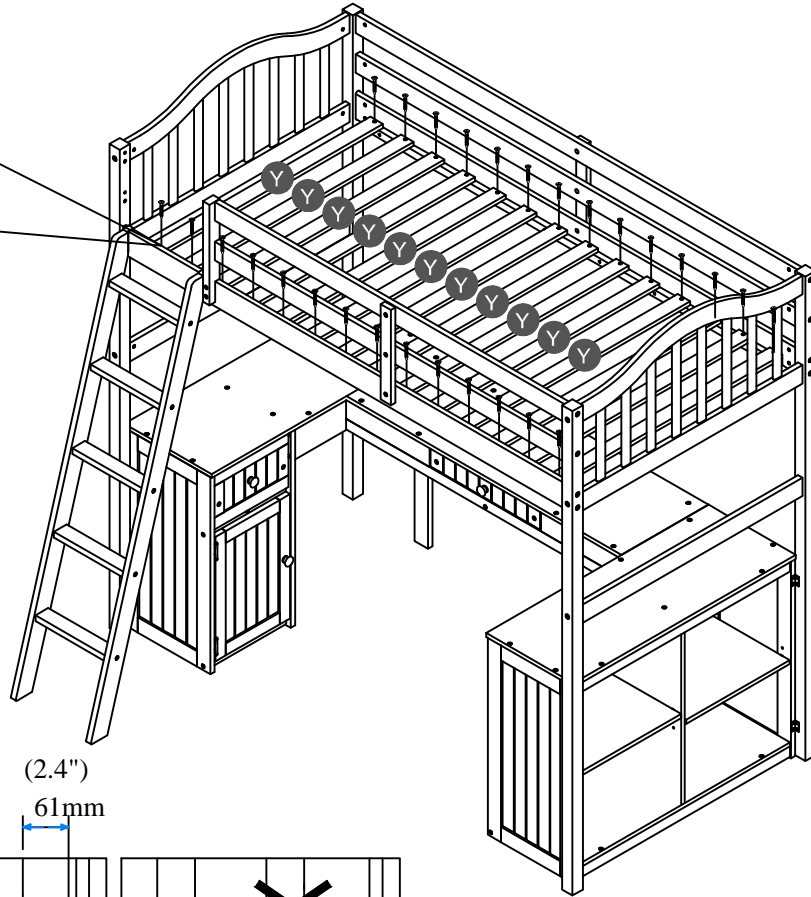
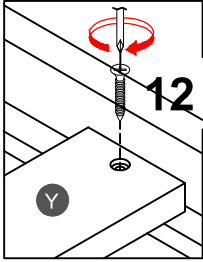


STEP 38:

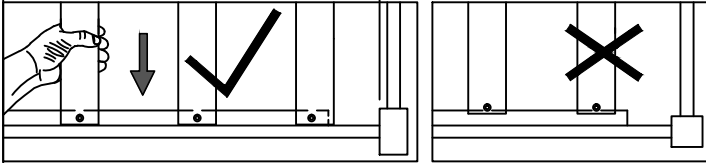
12



28PCS



(3.1") 79mm
(3.3") 84.5mm
(2.4") 61mm



Note: Do not lock the screws of the bed slats to the outermost edge of the bed slats, you need to leave a certain space at the edges, otherwise it will cause the board to break. Do not lock the bed slats on the edge of the wood, please hold firmly before screwing, hold it in place with one hand, then lock the screw.

