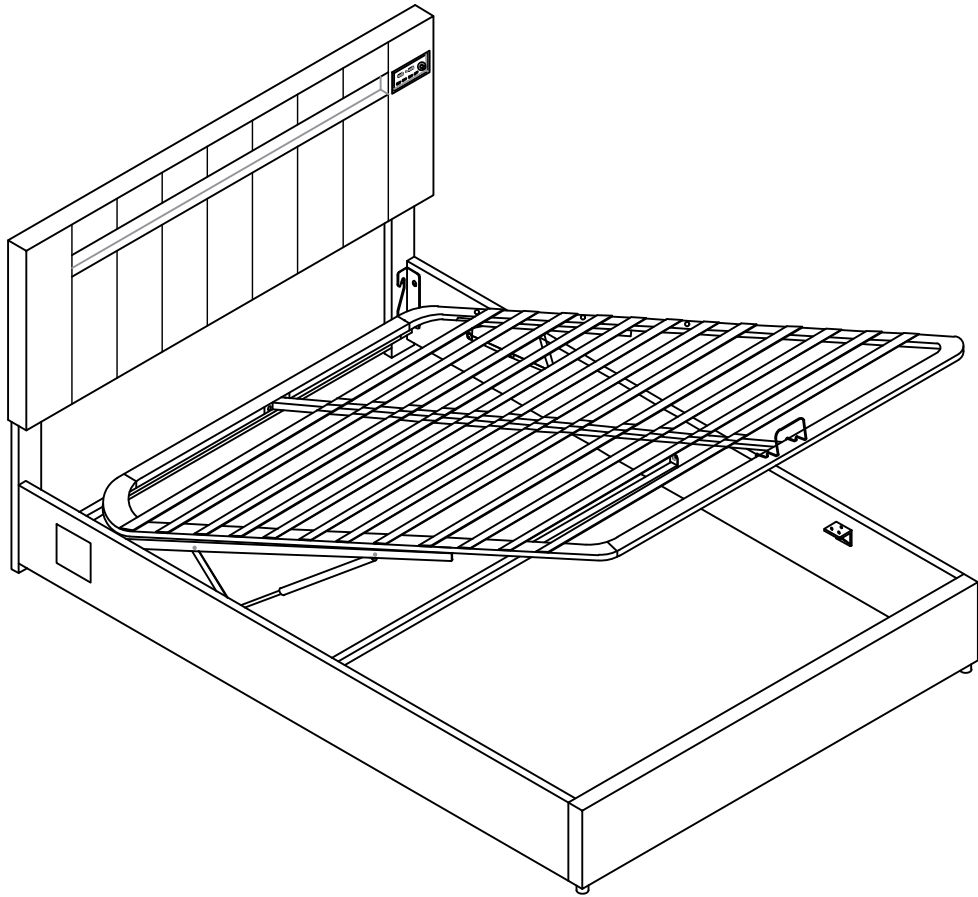
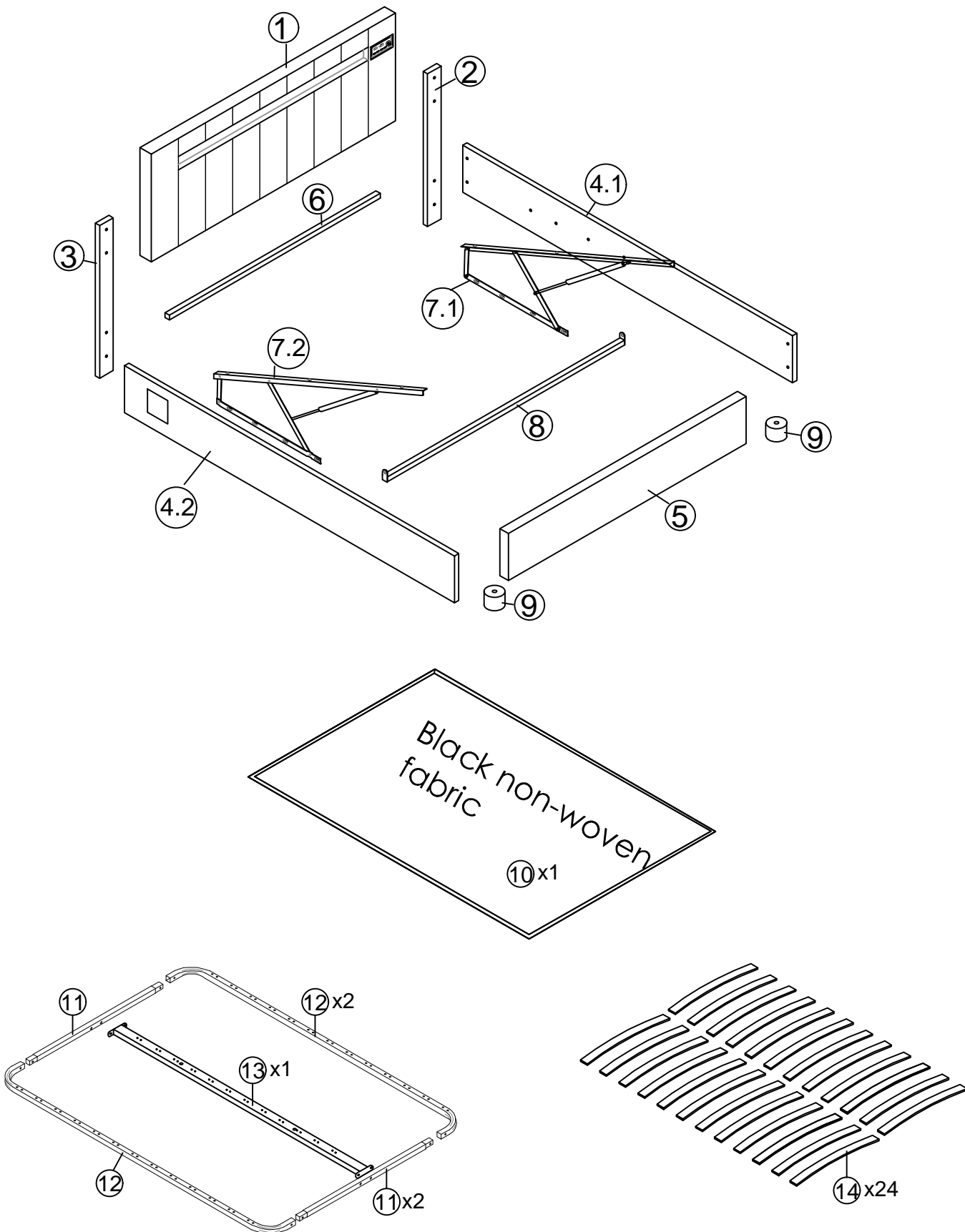


# ASSEMBLY INSTRUCTION

SKU:WF296825+WF296826

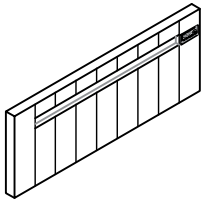


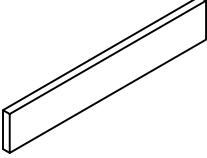
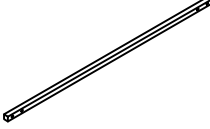
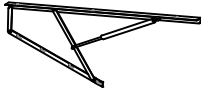
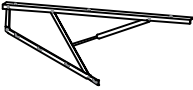
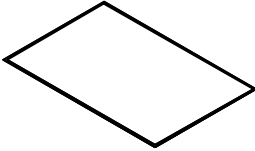

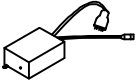




# Detail View

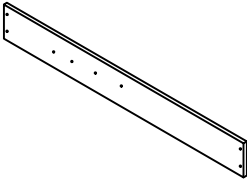
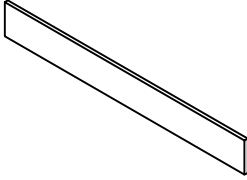
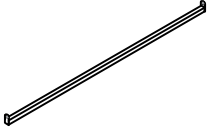
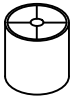
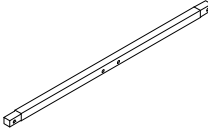
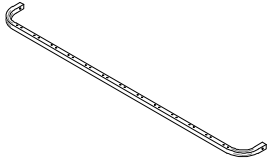
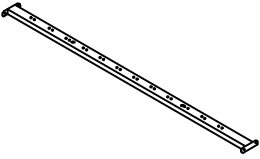
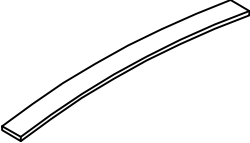


# Part List






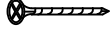
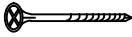







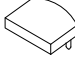
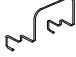

WF296825

<p><b>1</b></p>  <p>Head board-1pc</p>	<p><b>2</b></p>  <p>Head board leg-1pc</p>	<p><b>3</b></p>  <p>Head board leg-1pc</p>
<p><b>5</b></p>  <p>Foot board -1pc</p>	<p><b>6</b></p>  <p>Head board cross bar-1pc</p>	<p><b>7.1</b></p>  <p>Gas lift -1pcs</p>
<p><b>7.2</b></p>  <p>Gas lift -1pcs</p>	<p><b>10</b></p>  <p>Black non-woven fabric-1pc</p>	<p><b>R</b></p>  <p>Led adapter-1pc</p>
<p><b>S</b></p>  <p>Color controller-1pc</p>	<p><b>T</b></p>  <p>Music adapter-1pc</p>	<p><b>U</b></p>  <p>AUX Line-1pc</p>

## Hardware List+WF296826

<p><b>4.1</b></p>  <p>Side rails-1pcs</p>	<p><b>4.2</b></p>  <p>Side rails-1pcs</p>	<p><b>8</b></p>  <p>Cross bar-1pc</p>
<p><b>9</b></p>  <p>Legs-4pcs</p>	<p><b>11</b></p>  <p>Metal frame cross bar-2pcs</p>	<p><b>12</b></p>  <p>Metal frame side bar-2pcs</p>
<p><b>13</b></p>  <p>Metal frame middle bar-1pc</p>	<p><b>14</b></p>  <p>Slat-24pcs</p>	

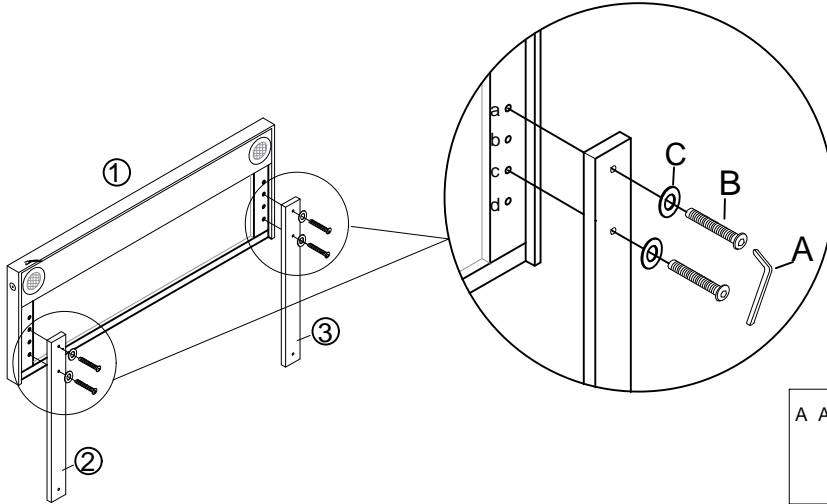
# Hardware List




<b>A</b>  20*70mm	<b>B</b>  Ø8*45mm	<b>C</b>  Ø22
Allen Key(1PC)	Bolts(20PCS)	Washer(4pcs)
<b>D</b>  Ø8*18mm	<b>E</b>  Ø15mm	<b>F</b>  Ø4*25mm
Bolts(22PCS)	Nuts(14pcs)	Nails(9pcs)
<b>G</b>  Ø4*50mm	<b>H</b>  Ø12mm	<b>I</b>  Ø6*25mm
Nails(2pcs)	Nuts(2pcs)	Bolts(10pcs)
<b>J</b>  70*23mm	<b>K</b>  150*40mm	<b>L</b>  43*33mm
Spanner(1pc)	Hinge(4pc)	Poly support(3pcs)
<b>M</b>  25*25*215mm	<b>N</b>  55*52*11mm	<b>O</b>  55*27*11mm
Middle legs(2pcs)	Middle slats cap(12pcs)	End slats cap(24pcs)
<b>P</b>  140*118mm	<b>Q</b>  156*24*2mm	
Stopper(1pcs)	Three hole iron(2pcs)	

Attention: Do not tighten the screws before completing the entire installation. If you have any difficulty with the installation process, please feel free to contact us.

### Step 1x2

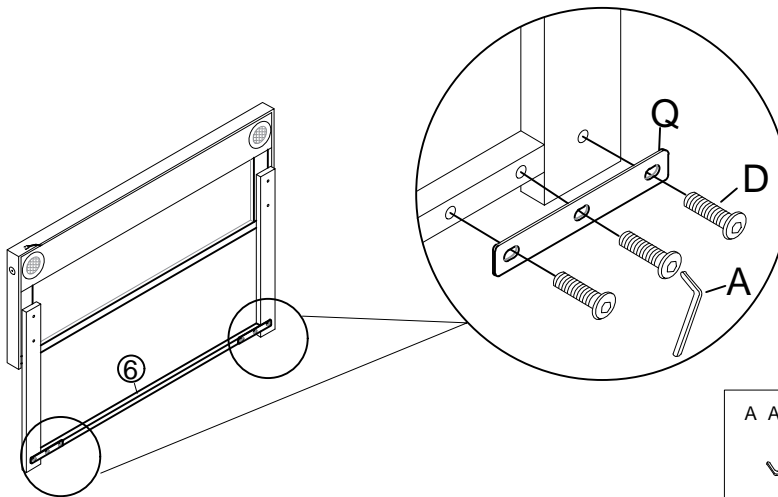
Fix the Headboard legs ②/③ To the headboard ① With Bolts B and Washers C by using Allen key A, you can chose the holes a and c or b and d .


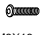
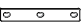


A Allen Key x1	C Washer x 4	B Bolts x 4 M8X45mm
		

### Step 2x2

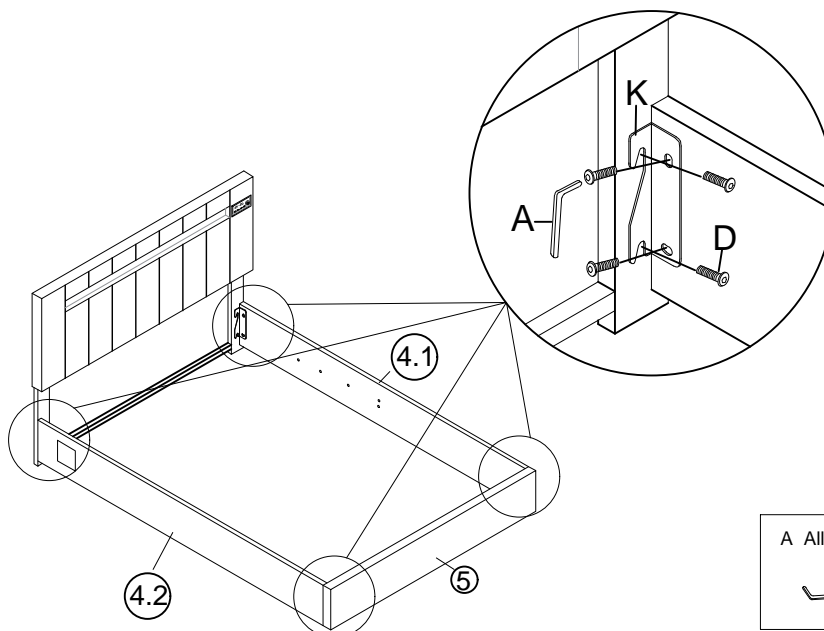
Fix the Headboard cross bar ⑥ to the Headboard legs ②/③ with Bolt D and Three hole iron Q by using Allen key A.






A Allen Key	D Bolts x 6 M8X18mm	Q Three hole iron x2
		

### Step 3

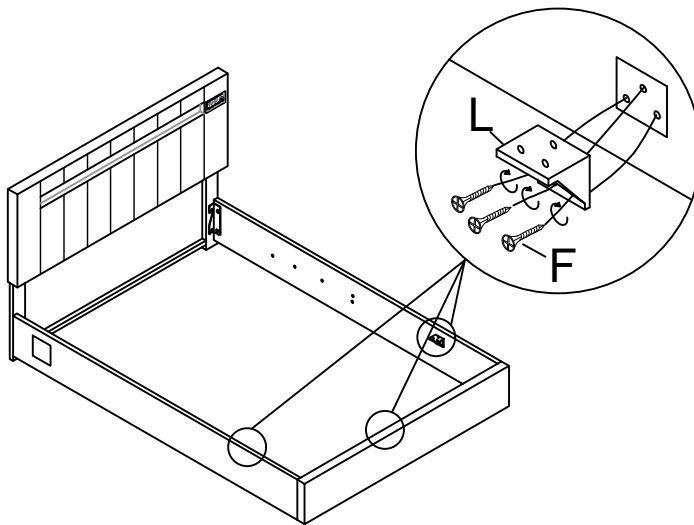
Fix the side rails ④.1 and ④.2 to the side head board legs ② and ③, footboard ⑤ with Bolts D and hinges K by using Allen key A

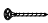



A Allen Key	D Bolts x 16 M8X18mm	K Hinge x4
		

## Step 4

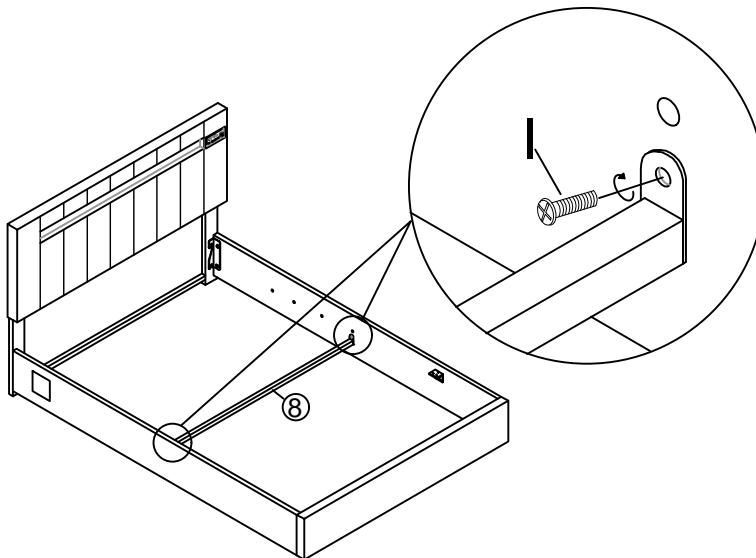
Fix the plastic support L to the side rails (4.1) and (4.2) and footboard (5) with nails F by using electric drill or screw driver




F Nails x9  M4X25mm	L Plastic support x3 
--	---

## Step 5

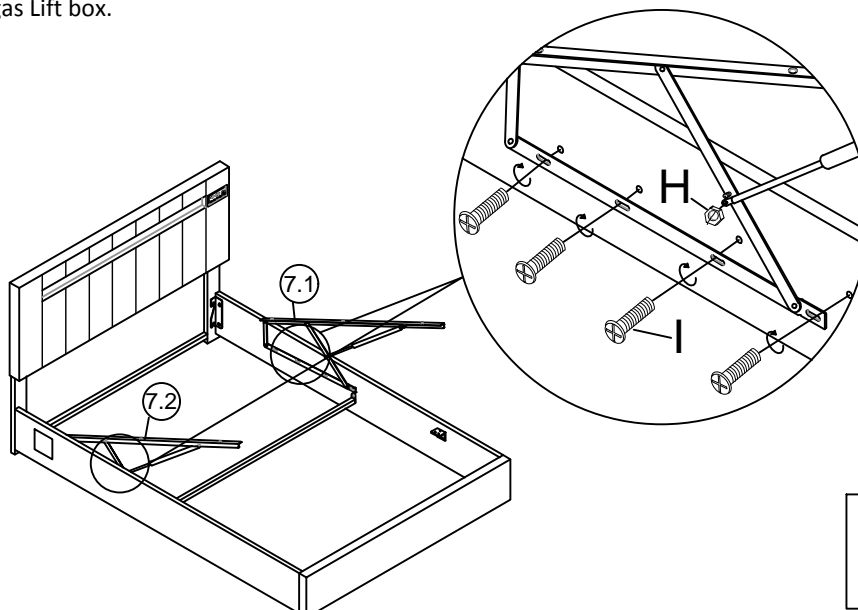
Fix the cross bar (8) to the side rails (4.1) and (4.2) with bolts I by using electric drill or screw driver.





I Bolts x 2  M6X25mm
---

## Step 6 x2

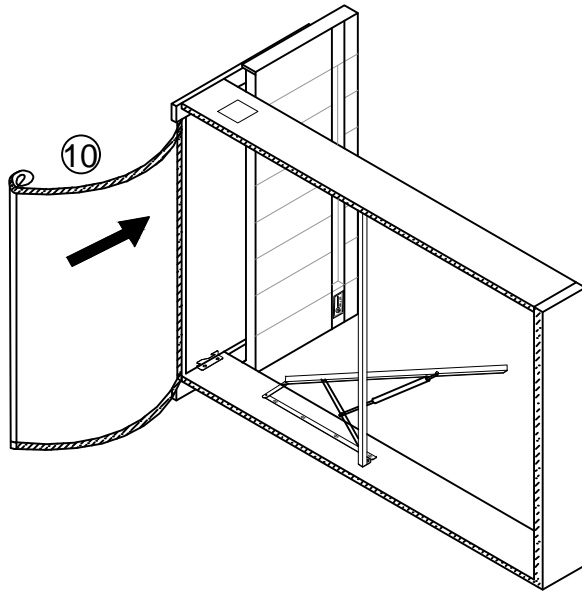
Fix the gas lifts (7.1) and (7.2) to the side rails (4.1) and (4.2) with bolts I by using electric drill. fix the gas bar to the gas lifts (7.1) and (7.2) with nuts H. Nuts H is the gas Lift box.



H Nuts x2 	I Bolts x 8  M6X25mm
--	---

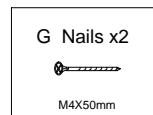
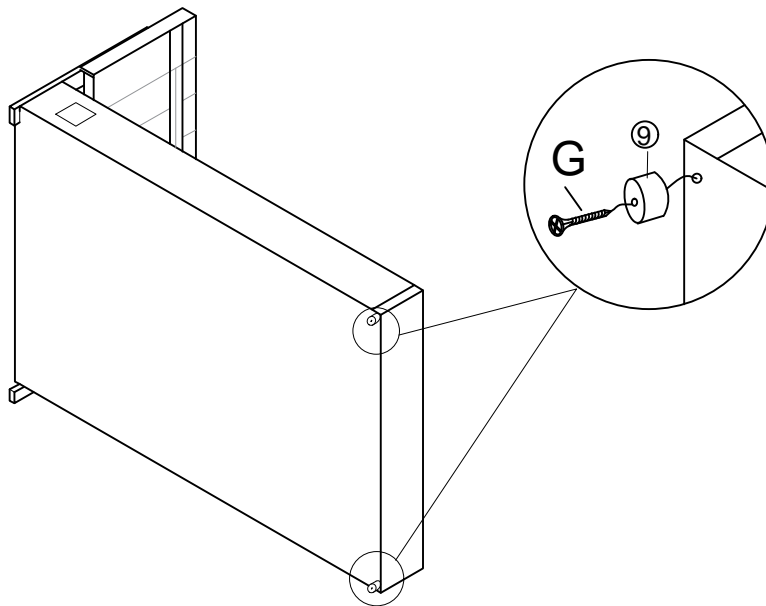
## Step 7

Stick the black non-woven fabric ⑩ To the bottom of bed



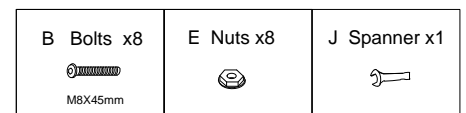
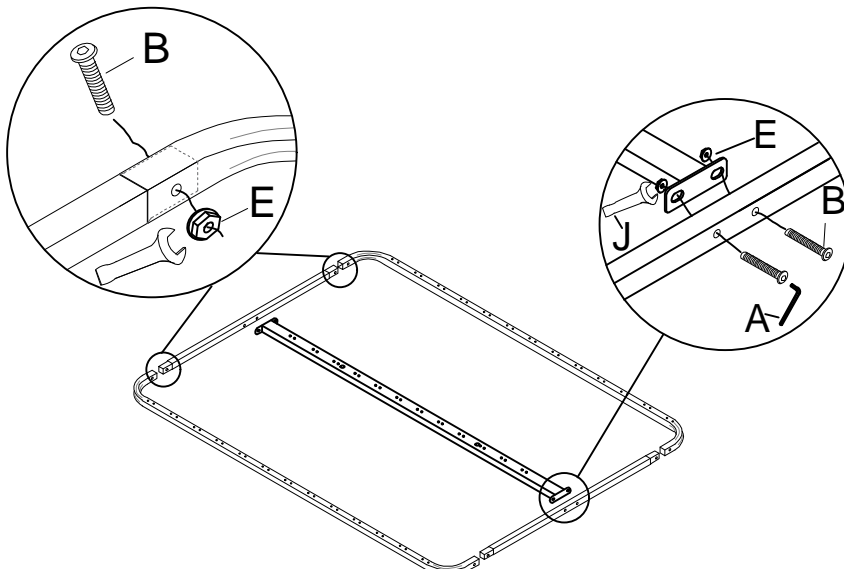
## Step 8 x2

Fix the legs ⑨ to the footboard ⑤ with nails G by using electric drill or screw driver



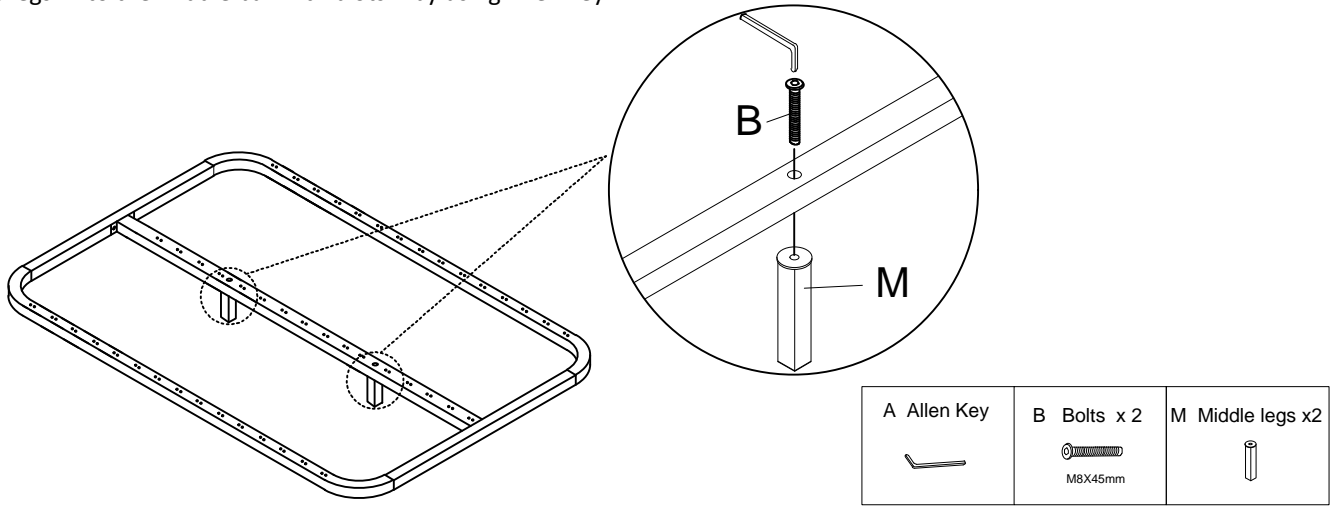
## Step 9

Assemble the slats frame with bolts B and nuts E by using Spanner J



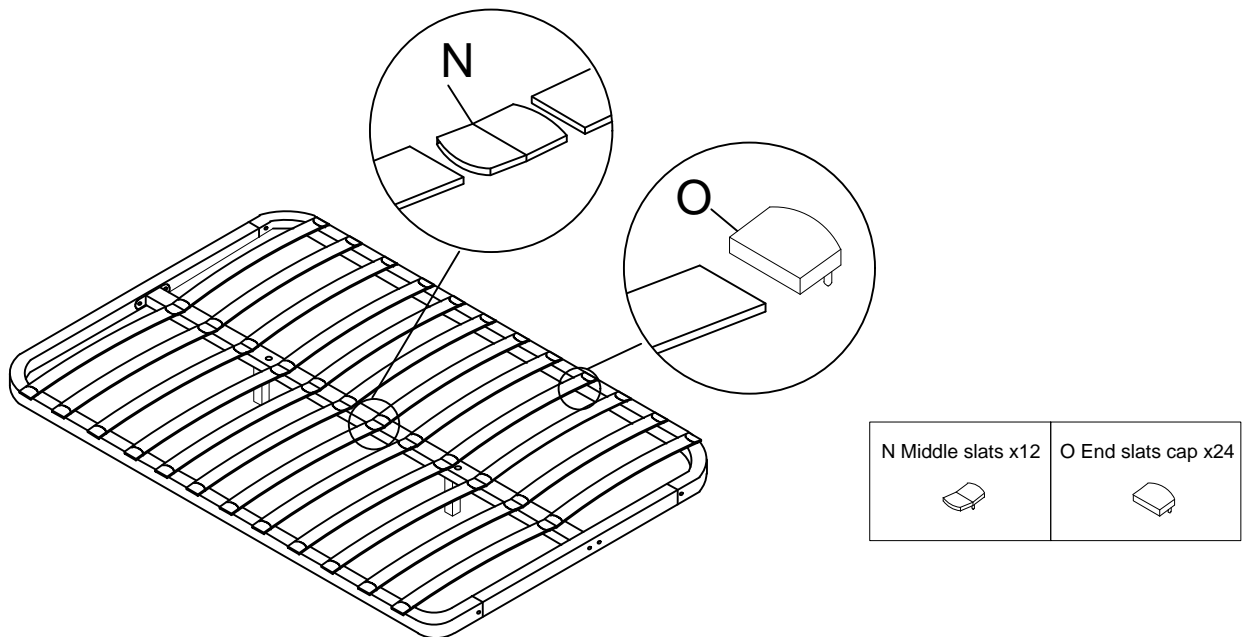
## Step 10 x2

Fix middle legs M to the middle bar with bolts B by using Allen key A



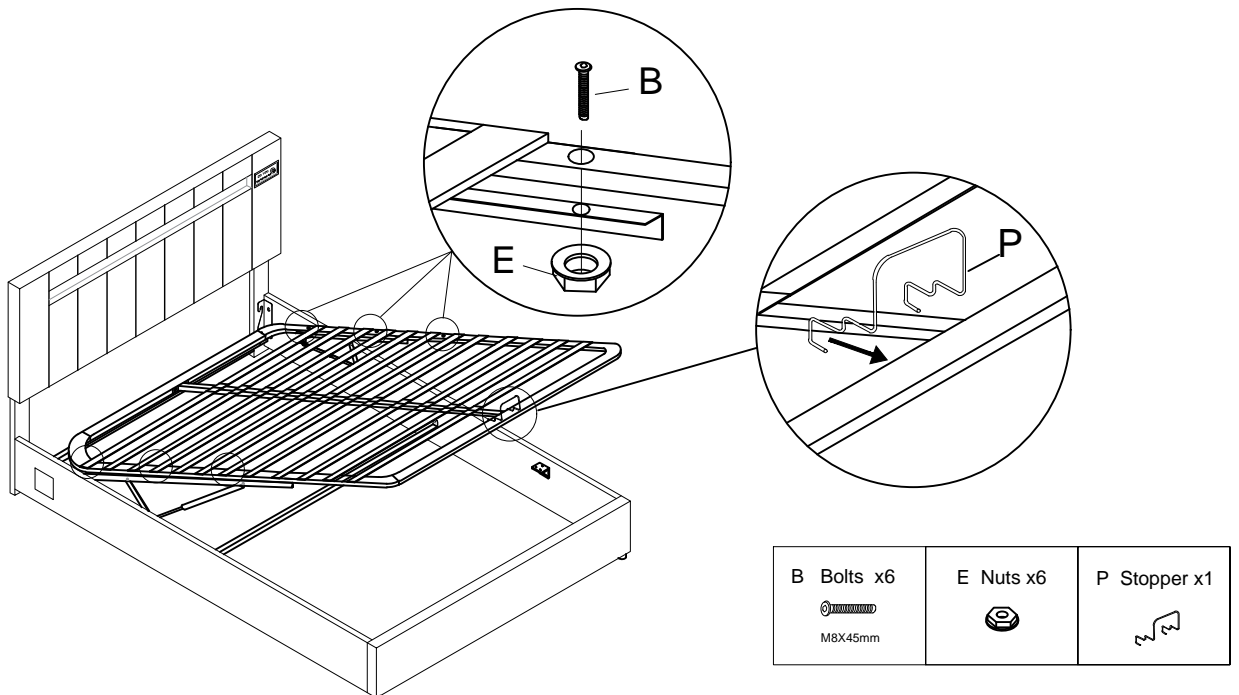
## Step 11

Assemble the slats into the assembled slats frame with middle slats cap N and end slats cap O



## Step 12

Assemble the slats frame ⑫ to the gas lifts ⑦ with bolts B and nuts E, put the stopper P in the end of the slat frame, then assemble is finished, now please tighten all hardware



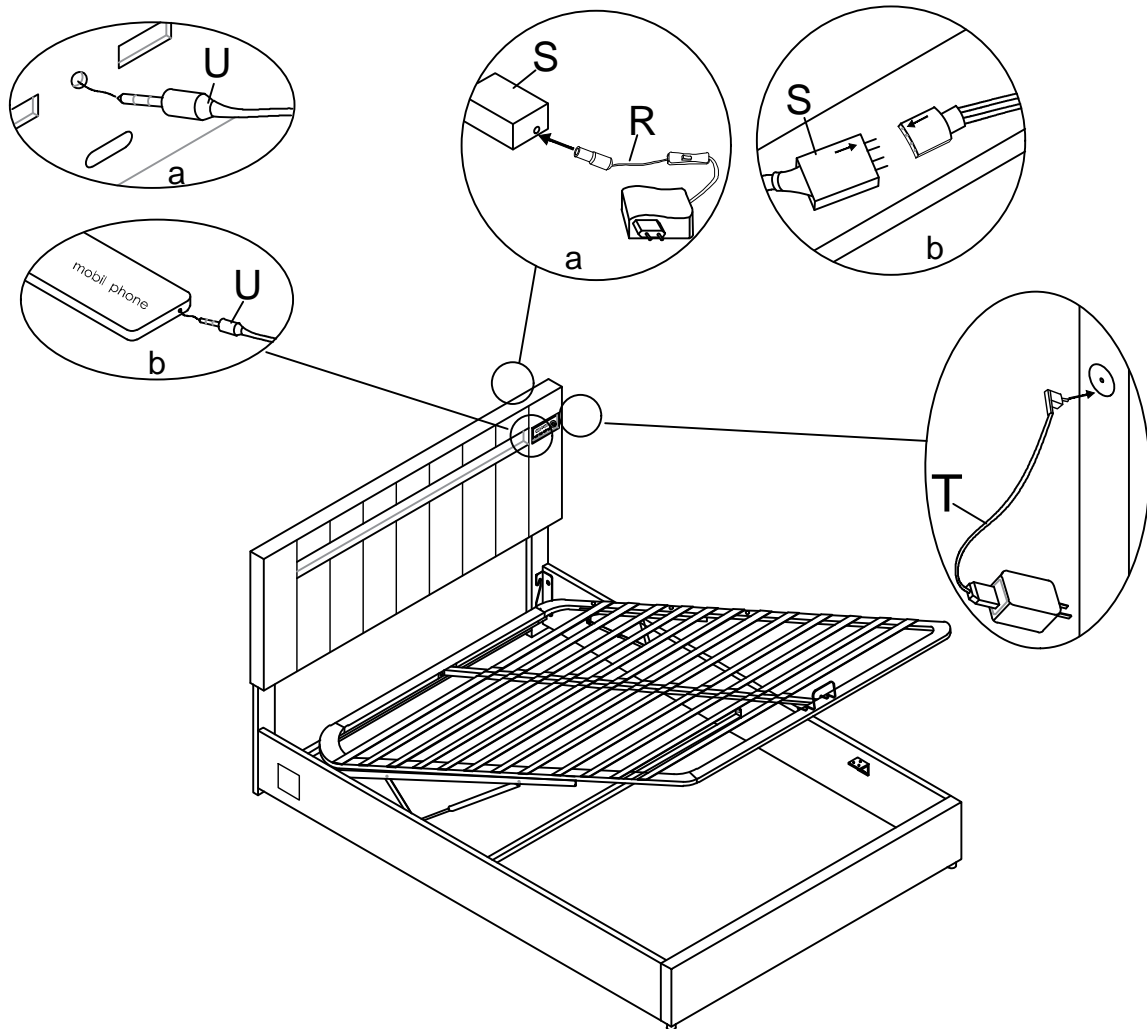






## Step 13

Put the color controller S to the light line ,please notice that → ←.

Fix the Led adapter R to the Color controller S. Put one end of T into the headboard. Finally connect the power, and enjoy the bed.

At last ,if you want to use the AUX function, you can plug one end of the AUX Line into the AUX hole, and the other end into your mobile phone or MP3



R Led adapter x1	S Color controller x1	T Music adapter x1	U AUX Line x1
			

## Bluetooth speaker Startup instructions

Find the audio power interface and plug in the power supply (5V2A). After connecting the power supply, turn on the main controller-4 .turn on the power by Turning the volume knob to the right to hear a “click” . turn off the power by Turning the volume knob to the left to hear a “click” .when The indicator light is on, the default is Bluetooth mode (note the use of power supply: the audio power supply can only use the audio dedicated power supply 5V2A)

### \* Bluetooth mode instructions

1.The Bluetooth mode is set by default. After startup ,The voice prompt: "Bluetooth mode, waiting for connection", Turn on the phone settings to find Bluetooth. Open the search and pairing (device name: Bluetooth / 916) connection. After The voice prompt "Bluetooth connected" ,you can play music. please pull out the audio cable / USB flash disk when using Bluetooth mode.

2. The indicator light is always on, if the device is turned off or not in the connecting range, the connection fails, you need to search again. The voice will prompt "Bluetooth disconnected"

3.when playing in Bluetooth mode, you can control the playing by pressing the “Previous track” / “next track” /”play” /” pause” on-screen buttons on your mobile phone.

### \* USB mode instructions

1. Please unplug the audio cable first and then plugged in the USB device. The file will be loaded (file loading completed) and the playback indicator will flash automatically for 1 second, and the voice prompts "USB play mode"

2. In the "USB" playing state, short press the "play / pause" button to enter the pause state, the system will automatically mute. The indicator light is always on.

3. Short press the "Previous track" and "Next track" buttons on the panel to select the

previous or the next song.

\* AUX mode instructions

1. Please pull out the USB device precede Inserting the 3.5 audio cable to switch to the "AUX" state, the blue indicator flashes for 3 seconds, and the voice prompts "external audio mode".

2. In the "AUX" playing state, press "Any key" the system will be silent, you need to pull out the 3.5 audio cable before the next operation.

3. In AUX mode, playing can only be controlled by the volume of the source device.

Problem: :	Solution
No sound	The volume setting is too low or the speakers are not well connected. Please check the volume of the phone / sound knob and the power supply wire
Cannot turn on	The power supply is not well plugged in. If it is confirmed that there is a problem with the power supply, replace the power supply. If there is no problem with the power supply, the control box may be faulty. Replace the control box
The device does not respond	Please turn the power off and restart it, check whether the audio power is connected, whether the Bluetooth model is connected to 916, and the USB device / AUX should be connected separately
The buttons does not work	please try again after power off, do not press hard, check if there is any foreign matter or water, please restart the machine and try again.
music stuttering	Make sure the buttons are clean. Do not press the buttons hard
Bluetooth cannot be paired	Please turn off all other paired Bluetooth devices, restart and search. Check if the Bluetooth search device menu is full, delete useless Bluetooth and connect again. Search and connect Bluetooth model "916"
No sound in AUX mode	Please make sure that the volume of the source device TV or mobile phone is turned on and available to play music , check whether the audio cable is plugged in steady . Please pull out the USB device when connecting to AUX
Remarks	Any other abnormalities, please contact the manufacturer for help