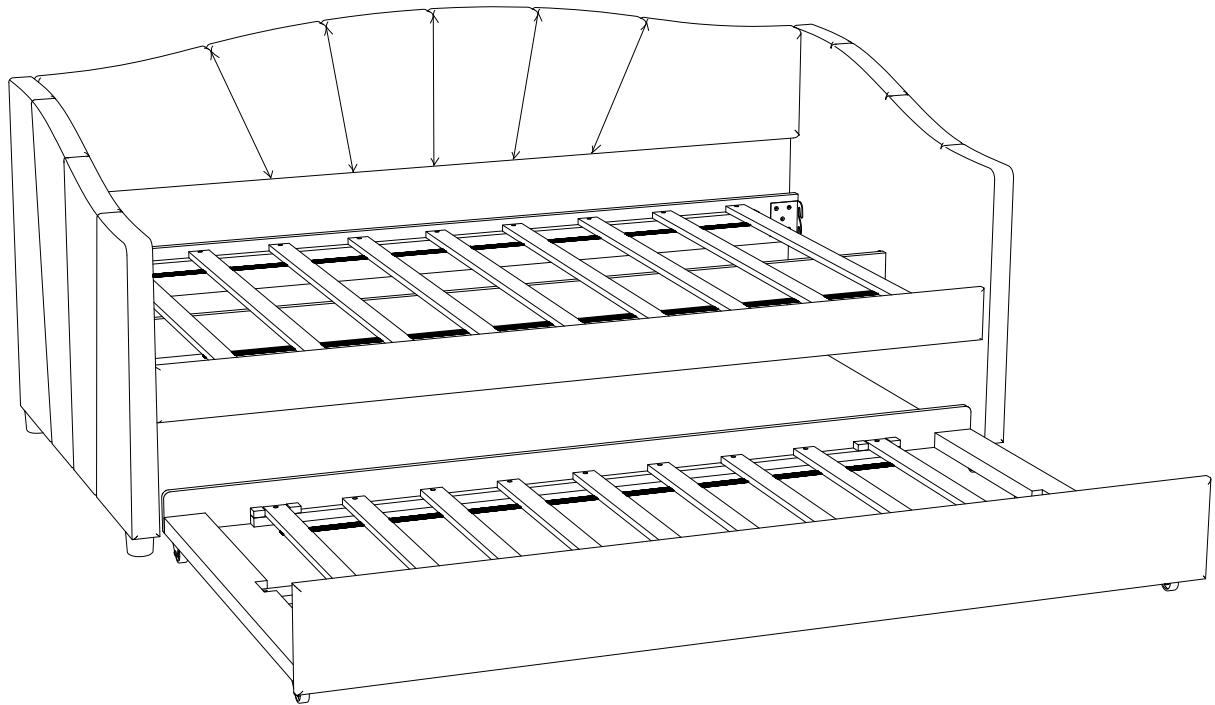


ASSEMBLY INSTRUCTIONS

Item No : WF295782/81

Description : TRUNDLE BED

Thank you for purchasing this quality product. Be sure to check all packing material carefully for small part that may have come loose inside the carton during shipment.

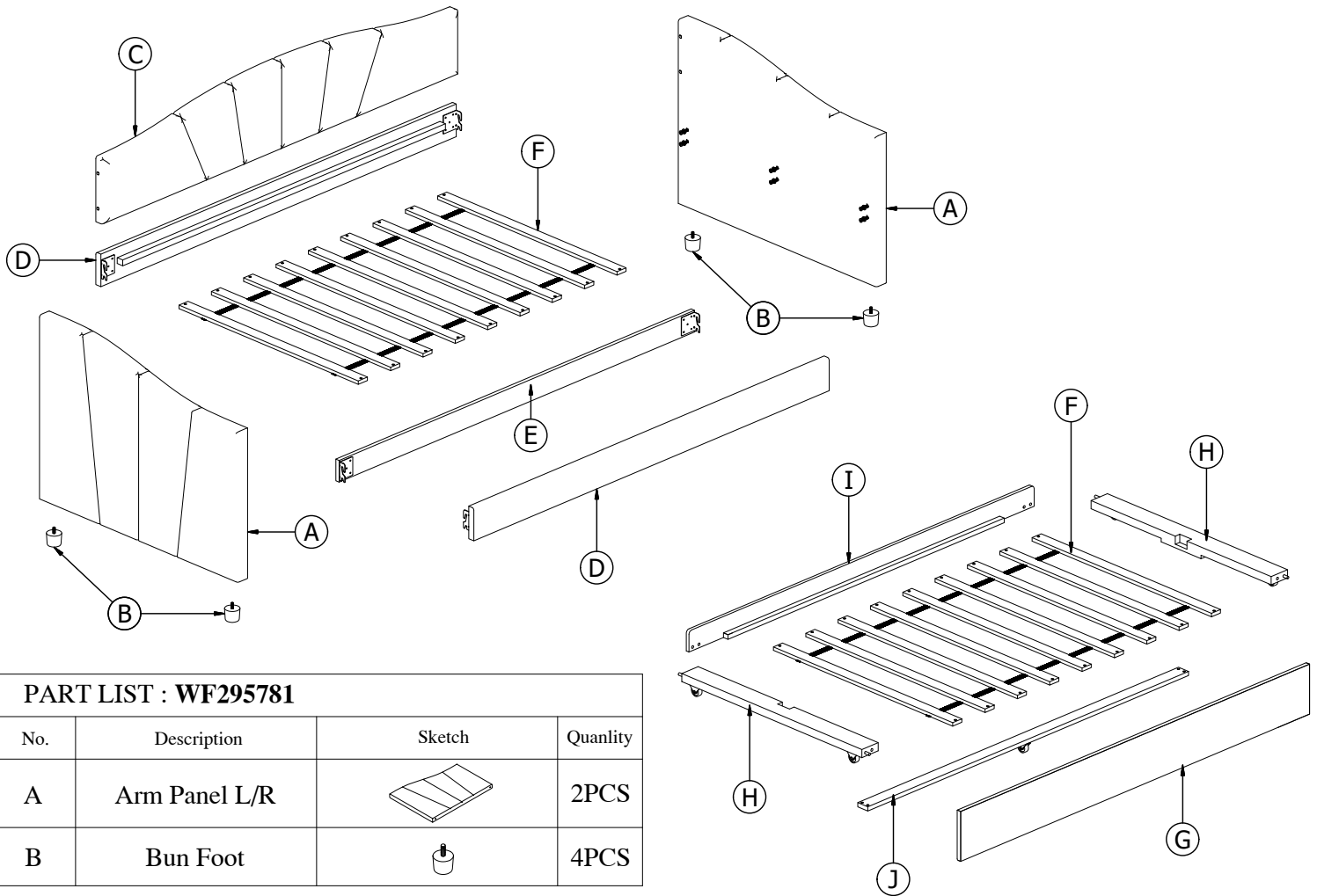


ASSEMBLY INSTRUCTIONS

Item No : WF295782/81

Description : TRUNDLE BED

Thank you for purchasing this quality product. Be sure to check all packing material carefully for small part that may have come loose inside the carton during shipment.



PART LIST : WF295781

No.	Description	Sketch	Quantity
A	Arm Panel L/R		2PCS
B	Bun Foot		4PCS

PART LIST : WF295782

No.	Description	Sketch	Quantity
C	Headboard panel		1PC
D	Side Rail		2PCS
E	Center Support Slat		1PC
F	Slats Rolls		2SET
G	Trundle Cushion		2PCS
H	Trundle Side		2PCS
I	Trundle Back		1PC
J	Trundle Support Slat		1PC

HARDWARE LIST : WF295781

No.	Description	Sketch	Size	Quantity
K	Washer Semicircle		Ø 5/16" * 25L	4PCS
L	Thread Bolt		Ø 5/16" * 2-3/4" L	8PCS
M	Flat Washer		Ø 5/16"	4PCS
N	Hexagonal Nut		Ø 5/16"	8PCS
O	Open Wrench		M12	1PC
P	Allen Key		M4 * 2-1/2" L	1PC
Q	Screw		Ø 8 * 1-1/4" L	40PCS

TOOLS REQUIRED (Not provided)

Screwdriver

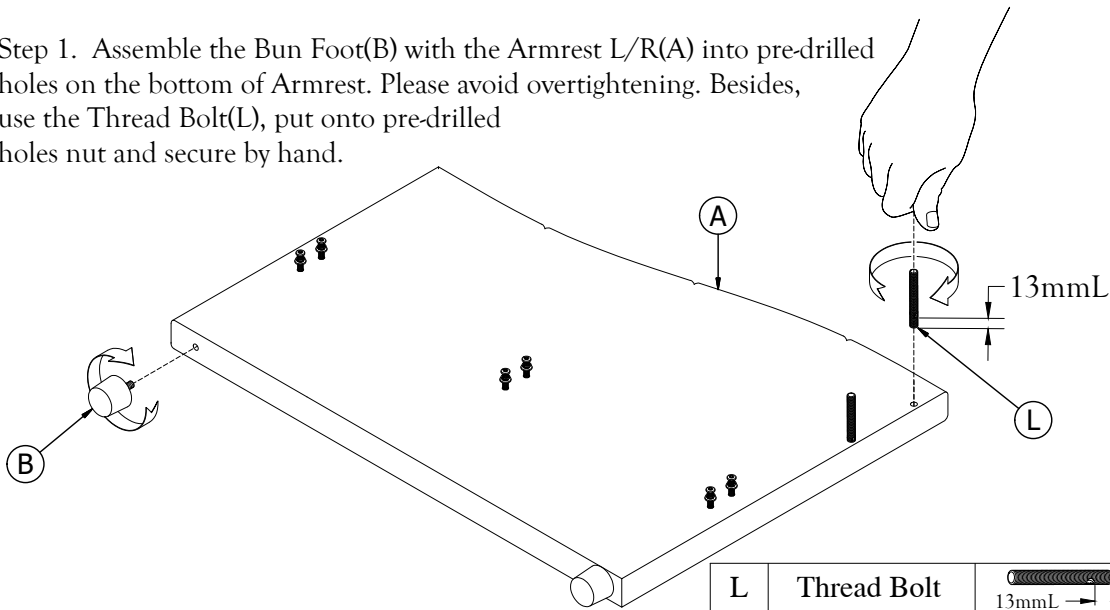
ASSEMBLY INSTRUCTIONS

Item No : WF295782/81

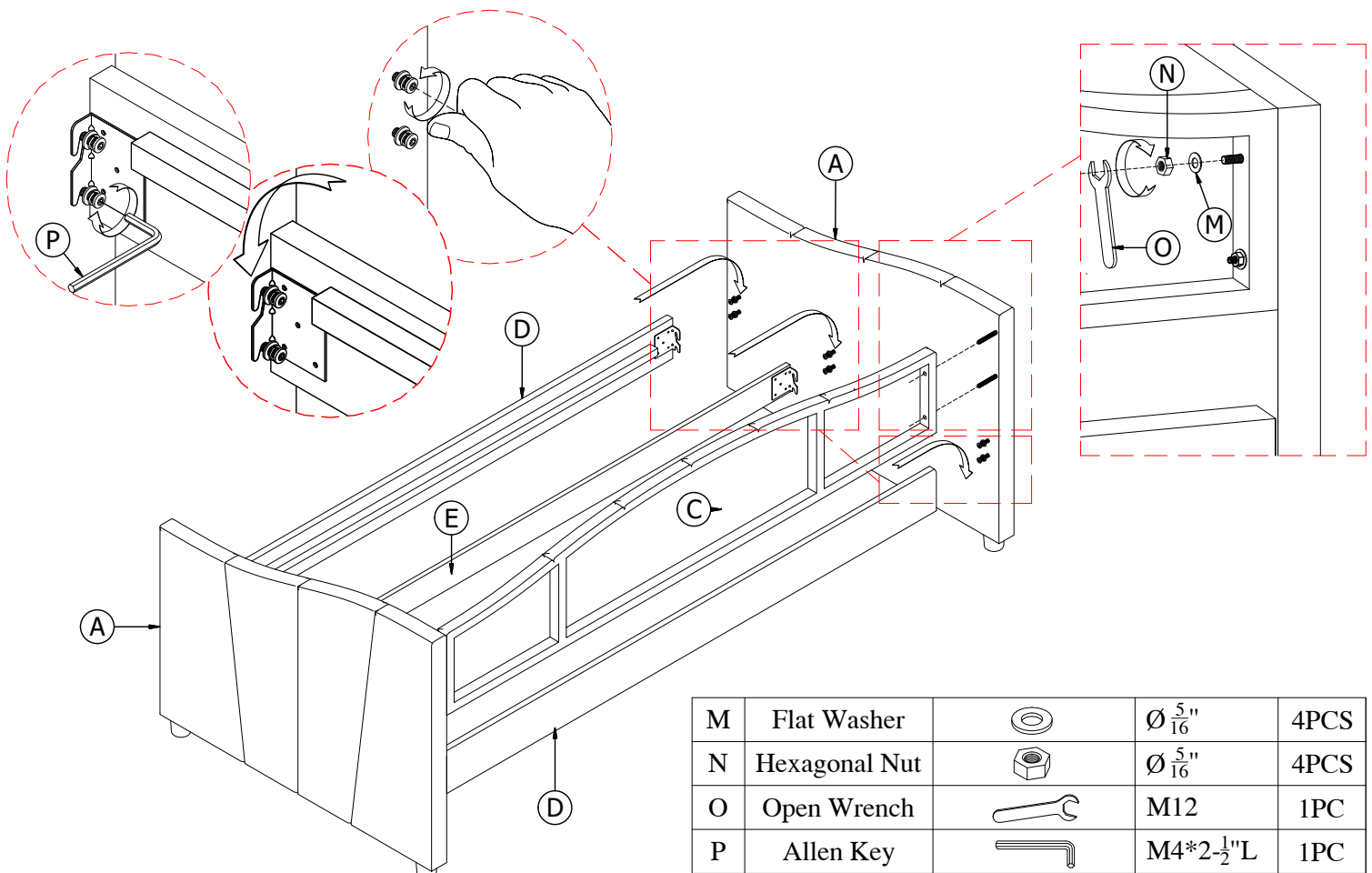
Description : TRUNDLE BED

Thank you for purchasing this quality product. Be sure to check all packing material carefully for small part that may have come loose inside the carton during shipment.

Step 1. Assemble the Bun Foot(B) with the Armrest L/R(A) into pre-drilled holes on the bottom of Armrest. Please avoid overtightening. Besides, use the Thread Bolt(L), put onto pre-drilled holes nut and secure by hand.



Step 2. Before performing this step, please loosen the bolts of the Arm Control Panel L/R(A), intended to hook metal Rail(D) and metal center(E) securely set to the bolt. Besides, pay attention to also bring the Headboard panel(C) which has pre-drilled holes at both ends, to the L/R Arm(A) with two pre-assembled threaded rods, by using the Flat Washer (M), Hex Nut(N). Finally, tighten them with the Allen Key(P), the Open Wrench(O) as guide.



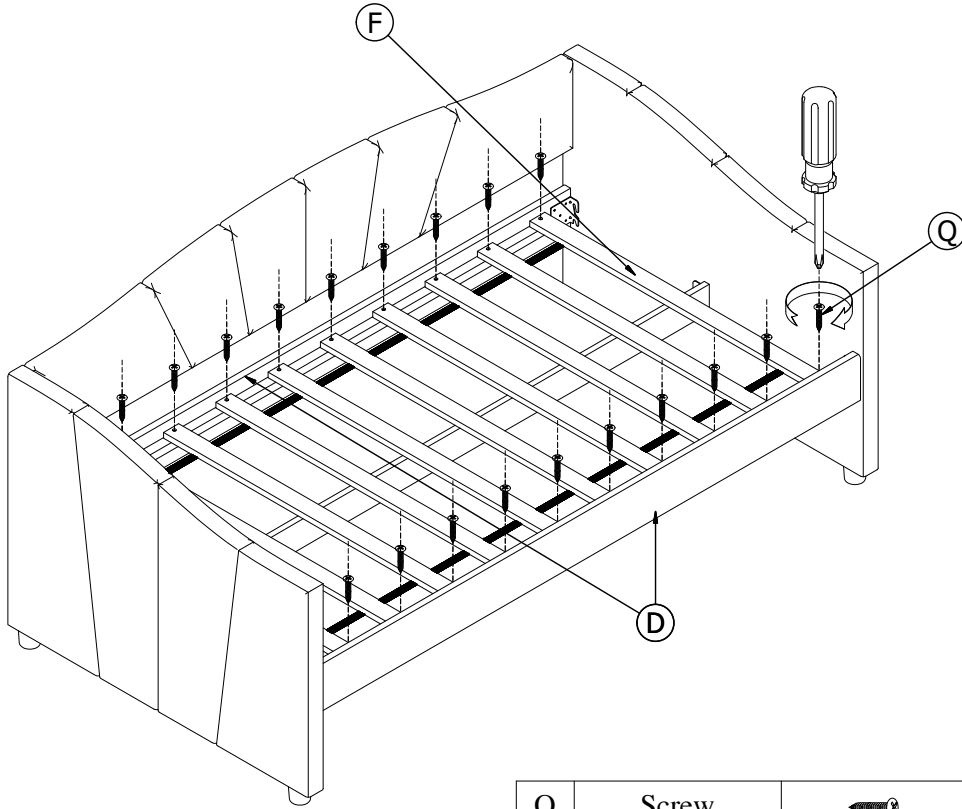
ASSEMBLY INSTRUCTIONS

Item No : WF295782/81

Description : TRUNDLE BED

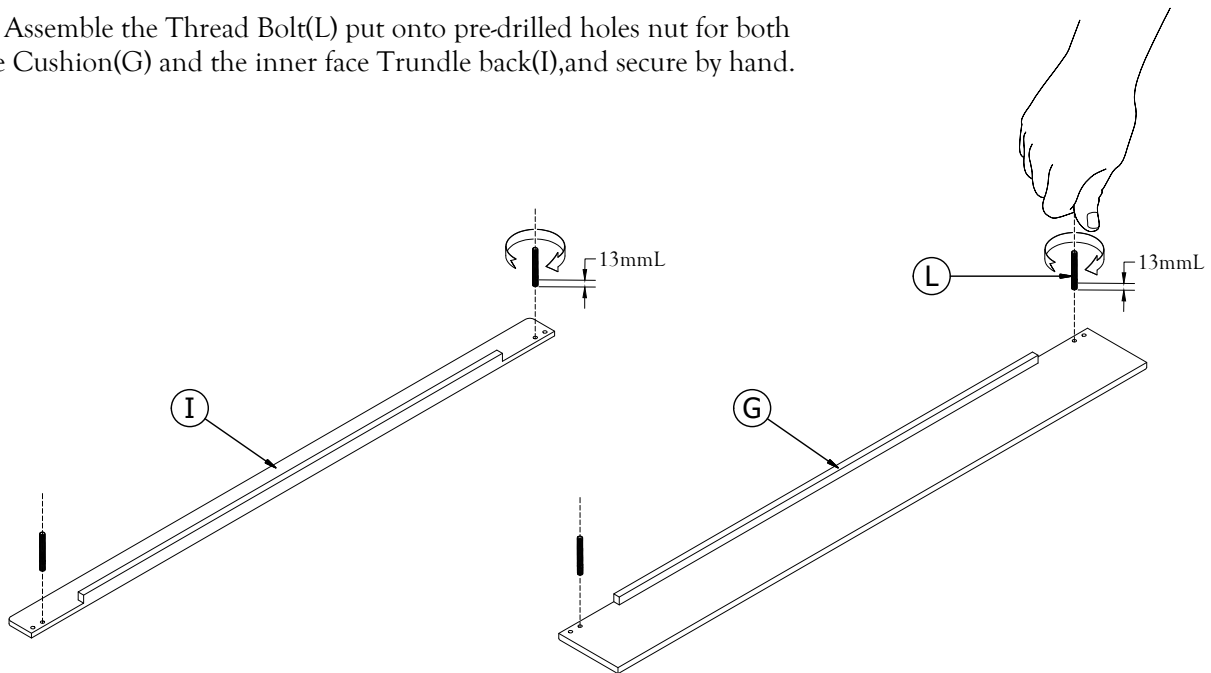
Thank you for purchasing this quality product. Be sure to check all packing material carefully for small part that may have come loose inside the carton during shipment.


Step 3. Note: before placing the pre-assemble clusters Slat roll(F) in the side rails(D), it is advisable to check the direction of the arrow, place it straight out ahead and arrange it neatly. Then, tighten they are by Screws(Q).



Q	Screw		Ø 8*1-¼" L	18PCS
---	-------	---	------------	-------

Step 4. Assemble the Thread Bolt(L) put onto pre-drilled holes nut for both Trundle Cushion(G) and the inner face Trundle back(I), and secure by hand.



L	Thread Bolt		Ø 5/16*2-¾" L	4PCS
---	-------------	---	---------------	------

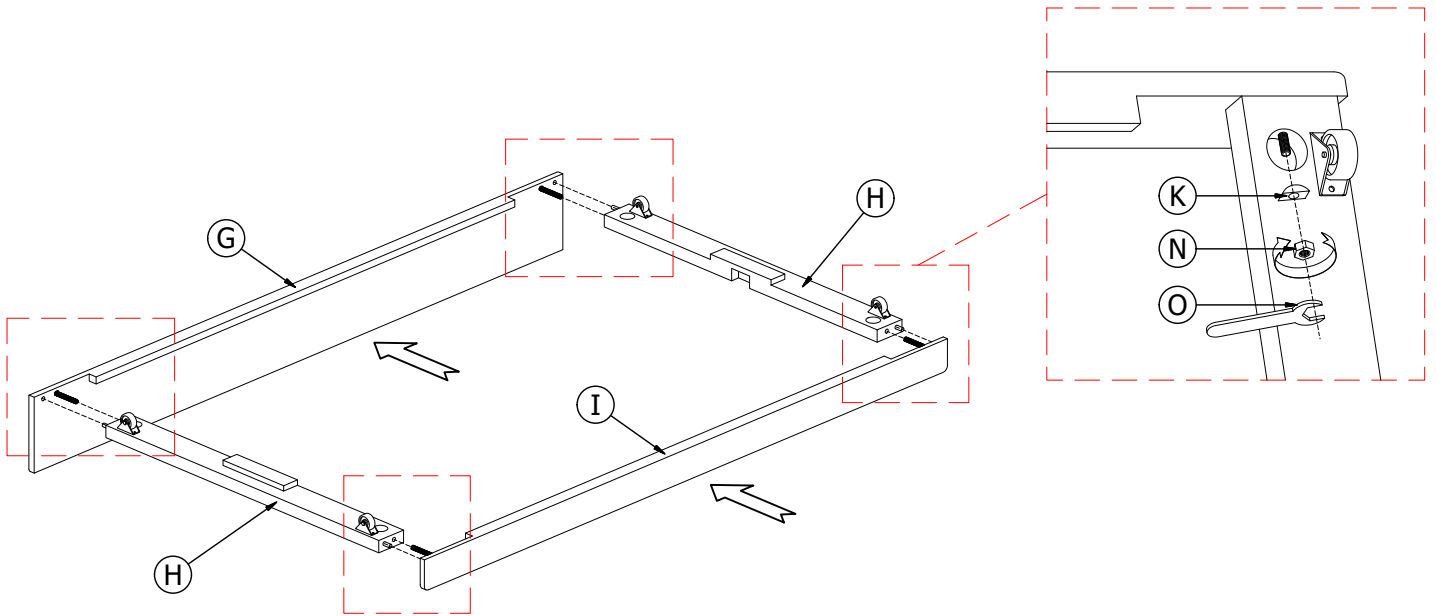
ASSEMBLY INSTRUCTIONS

Item No : WF295782/81

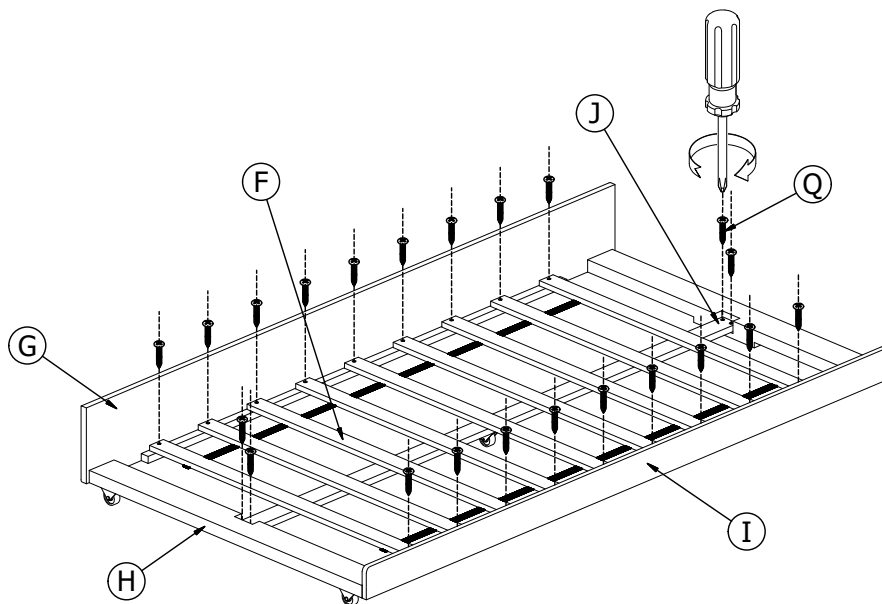
Description : TRUNDLE BED


Thank you for purchasing this quality product. Be sure to check all packing material carefully for small part that may have come loose inside the carton during shipment.

Step 5. Place the Trundle side plate(H) with mount wheels to put the back face Trundle Cushion(G) and the inner face Trundle back(I), which has four pre-assembled threaded rods, by using the Washer Semicircle(K), Hex Nut(N). Finally, tighten them with the Open Wrench(O) as guide.



Step 6. Place put the Trundle support slat(J) with mount wheels the into the Trundle side(H). Then, put the Slat roll(F) and arrange it neatly. Finally, all togethertighten they are by Screws(Q) as guide.



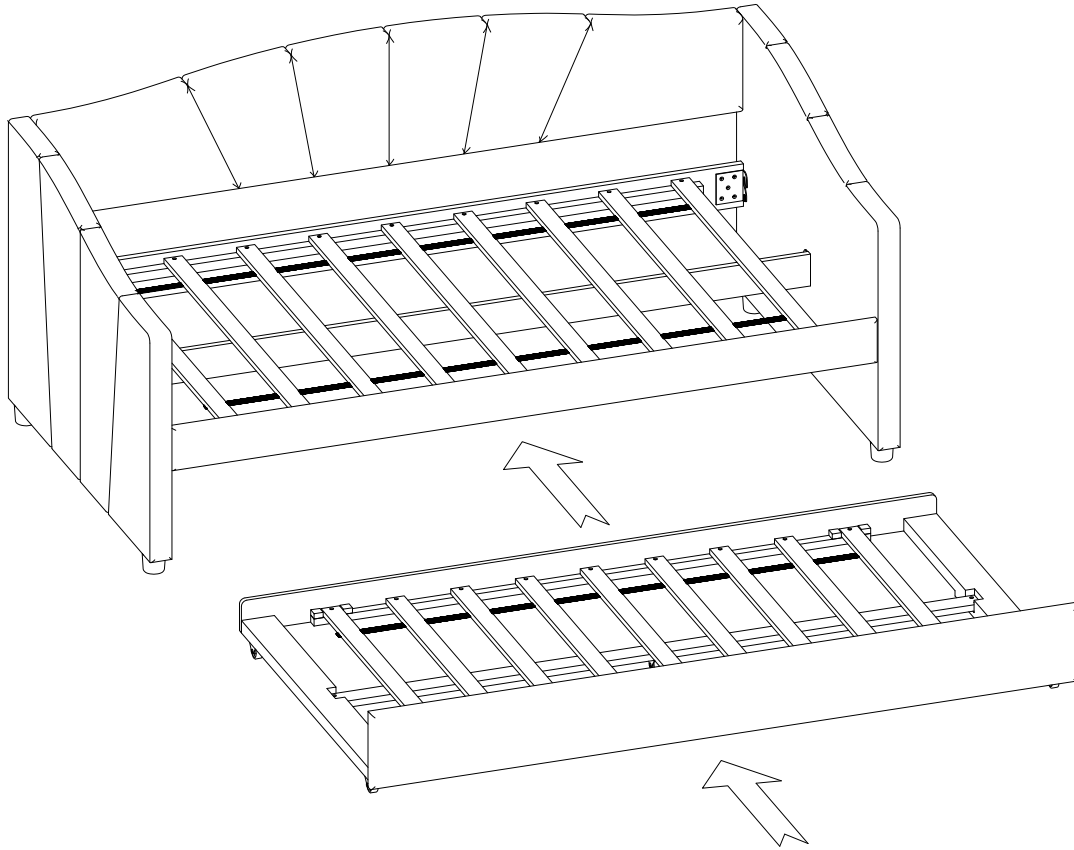
Q	Screw		Ø 8*1-¼" L	22PCS
---	-------	---	------------	-------

ASSEMBLY INSTRUCTIONS

Item No : WF295782/81

Description : TRUNDLE BED

Thank you for purchasing this quality product. Be sure to check all packing material carefully for small part that may have come loose inside the carton during shipment.



Step 7. Push drawers under the bottom of Bed.

