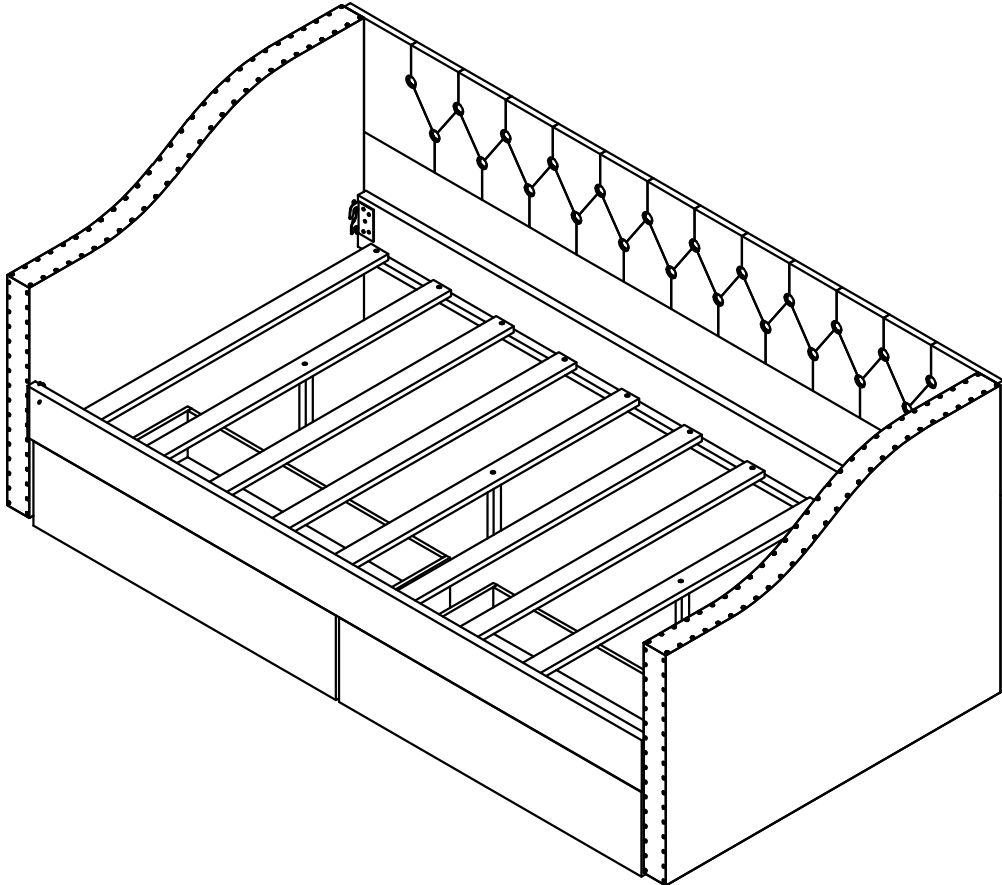


ASSEMBLY INSTRUCTION

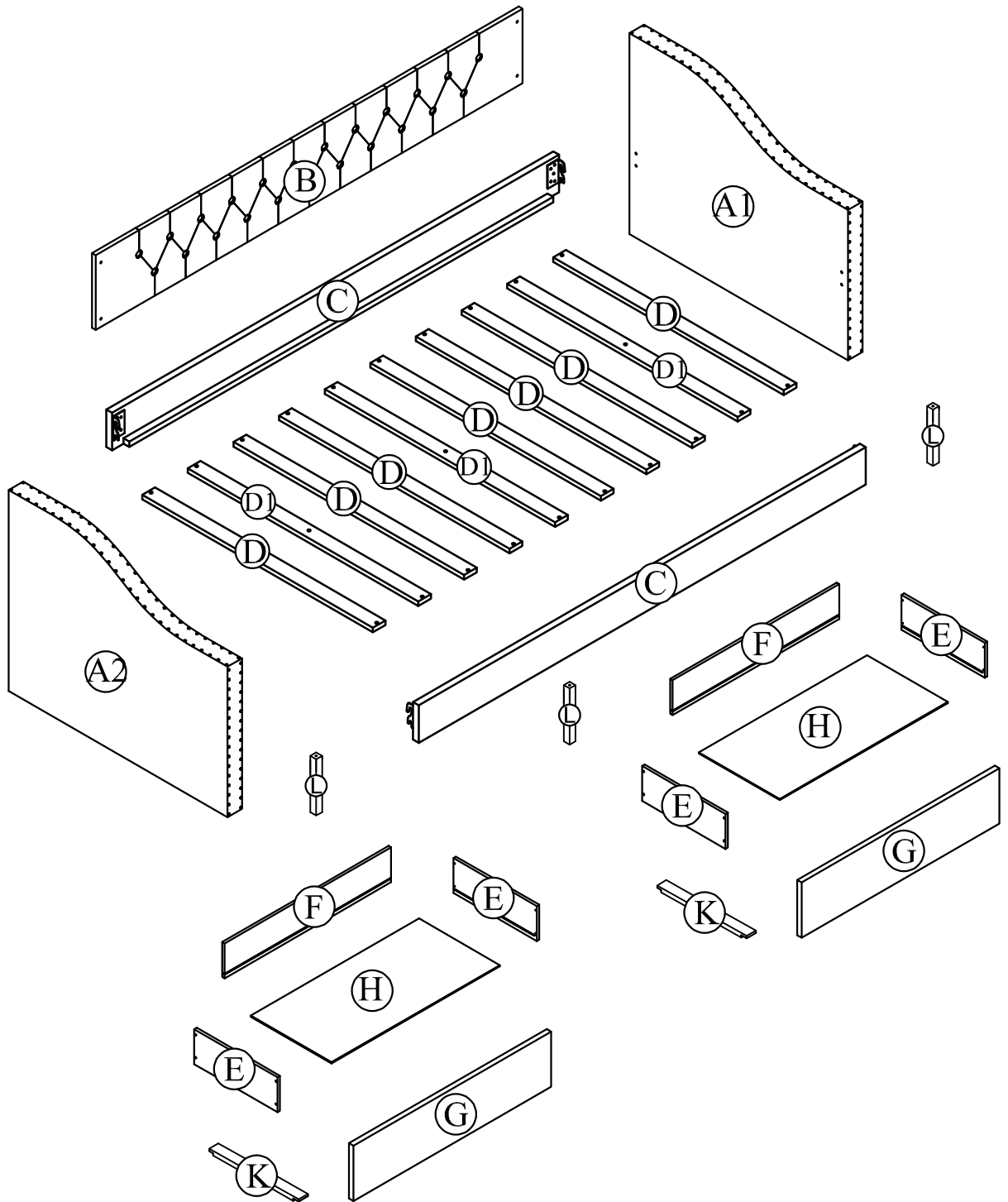
SKU CODE: (WF297128-WF297129)



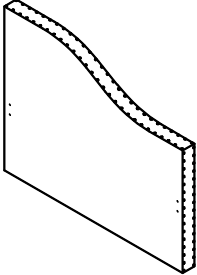
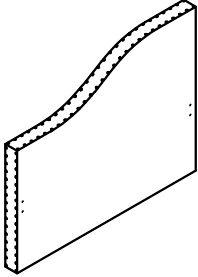
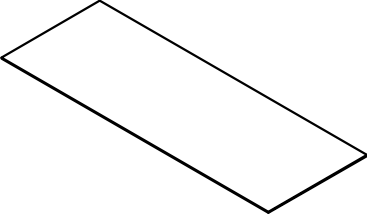
! SAFETY WARNINGS !

1. This bed is designed for use Twin Mattress 76" Long and 38 ½ " Wide and at least 4" thickness
2. Always use the recommended size mattresses or mattress supports, or both, to help prevent the likelihood of entrapment or falls.
3. Do not allow horseplay on or under the bed and prohibit jumping on the bed
4. Do not use substitute parts. Contact the manufacturer or dealer for replacement parts.
5. Keep these instructions for future reference


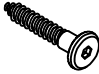
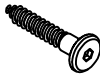




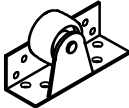

ASSEMBLY INSTRUCTION

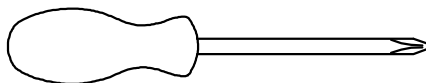


Part List (WF297128)

<p>A1</p>  <p>Right Arm-1 pc</p>	<p>A2</p>  <p>Left Arm - 1pc</p>
<p>H</p>  <p>Drawer-Bottom Panels-2pcs</p>	

Hardware List (WF297128)

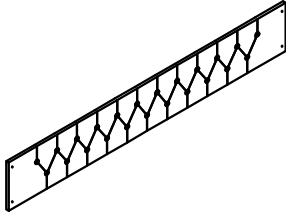
<p>1</p>  <p>Plastic Foot(Ø50x40) 4pcs</p>	<p>2</p>  <p>Ø1/4" x 50 mm Wood Screws 4pcs</p>	<p>3</p>  <p>Ø1/4" x 30 mm Wood Screws 8pcs</p>
<p>4</p>  <p>M4 x 15 mm Wood Screws 20 pcs</p>	<p>5</p>  <p>Plastic Drawer Stopper 4 pcs</p>	<p>6</p>  <p>Allen Key 1pc</p>
<p>7</p>  <p>M4 x 30 mm Wood Screws 36pcs</p>	<p>8</p>  <p>Wheels 8pcs</p>	<p>9</p>  <p>Ø1/4" x 25 mm Hex-Head bolts 3pcs</p>



Assembly Tools Required (Not Included)

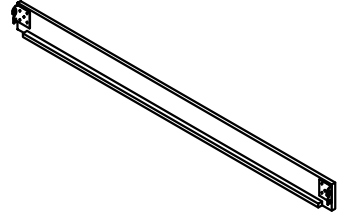
Part List (WF297129)

B



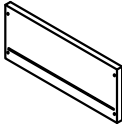
Back panel - 1 pc

C



Side Rails-2pcs

E



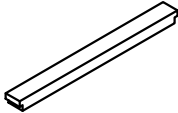
Drawer-Side Panels -4pcs

F



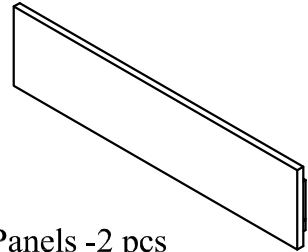
Drawer-Back Panels -2pcs

K



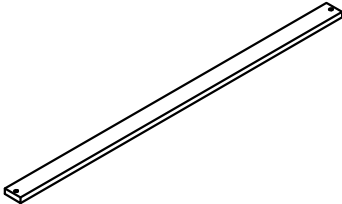
Drawer-Support Bottom-2pcs

G



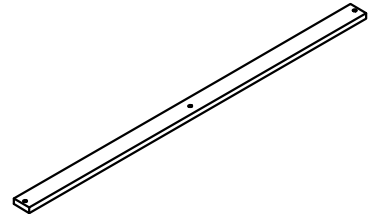
Drawer-Front Panels -2 pcs

D



Slats-7pcs

D1



Slats-3pcs

L



Leg Support-3pcs

STEP 1:

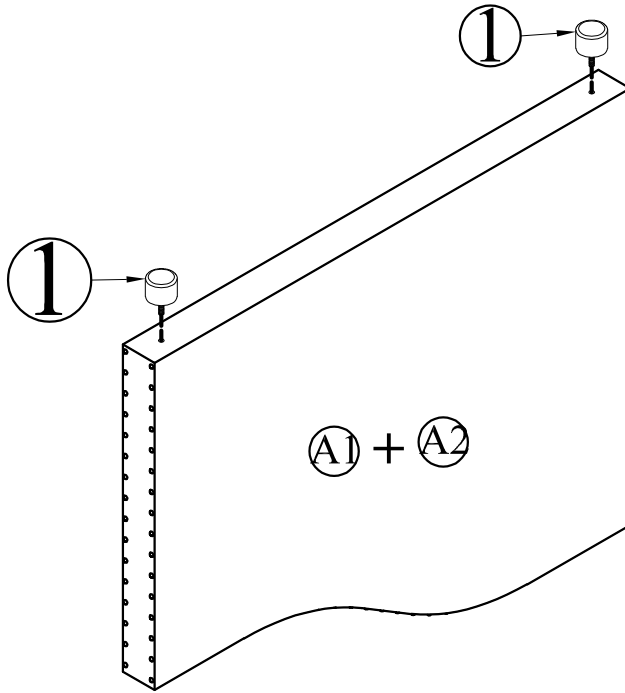
Following below illustration:

Assembly Plastic Foot #1 With Right Arm (A1) and Left Arm (A2).

1



4pcs



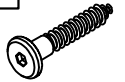
STEP 2:

Following below illustration

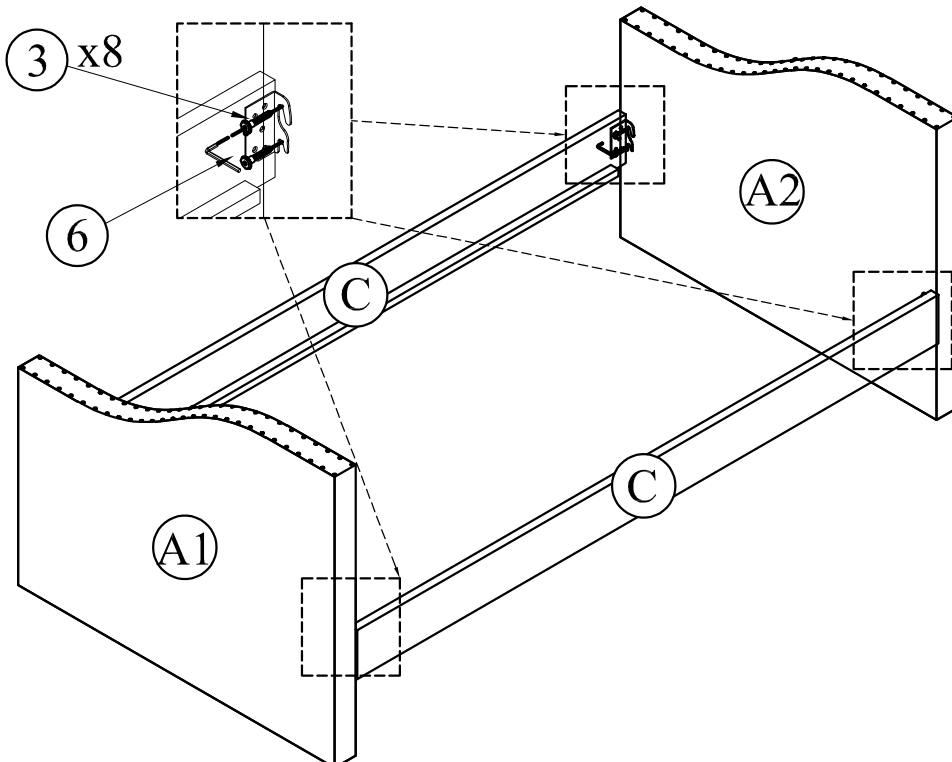
-Using hardward #3 to Assembly Arm left and right with side rail C(x2) .

-Look at detail view for more detail

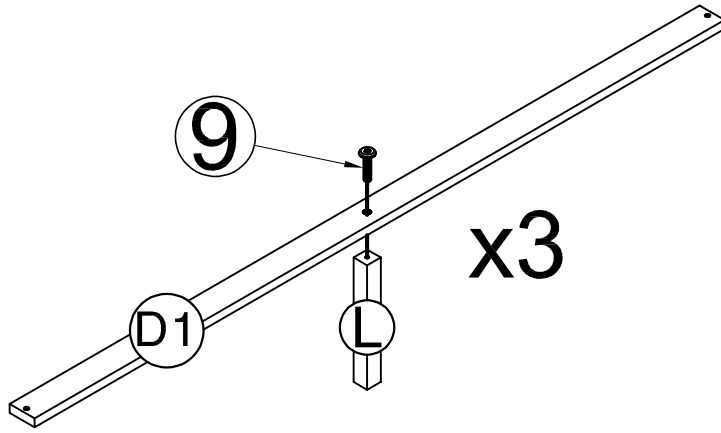
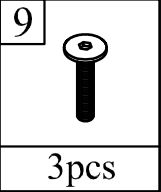
3



8pcs

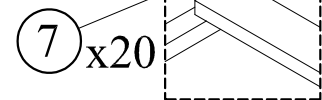
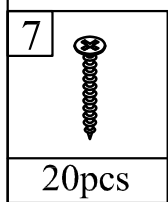
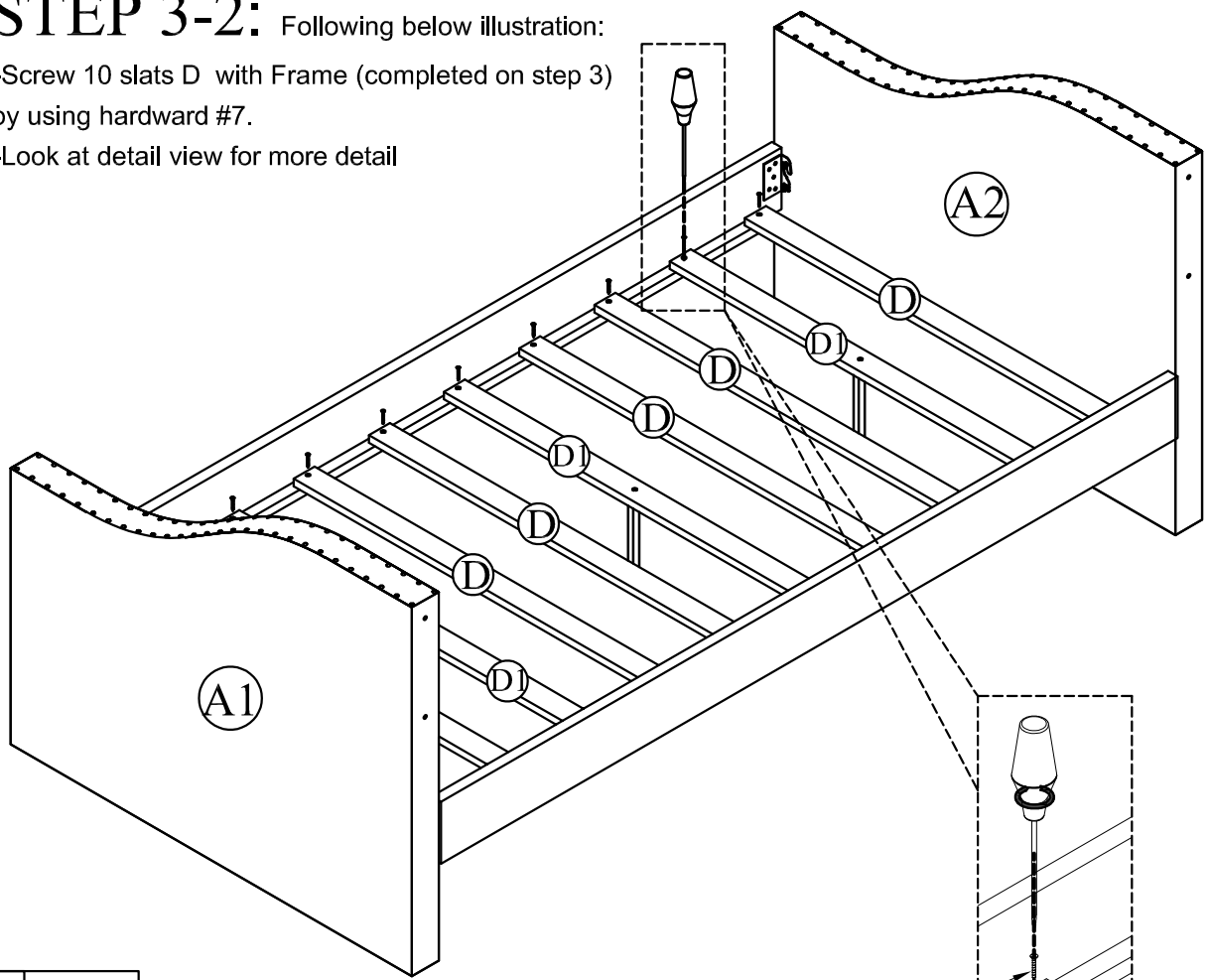


STEP 3-1: Following below illustration:



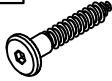
STEP 3-2: Following below illustration:

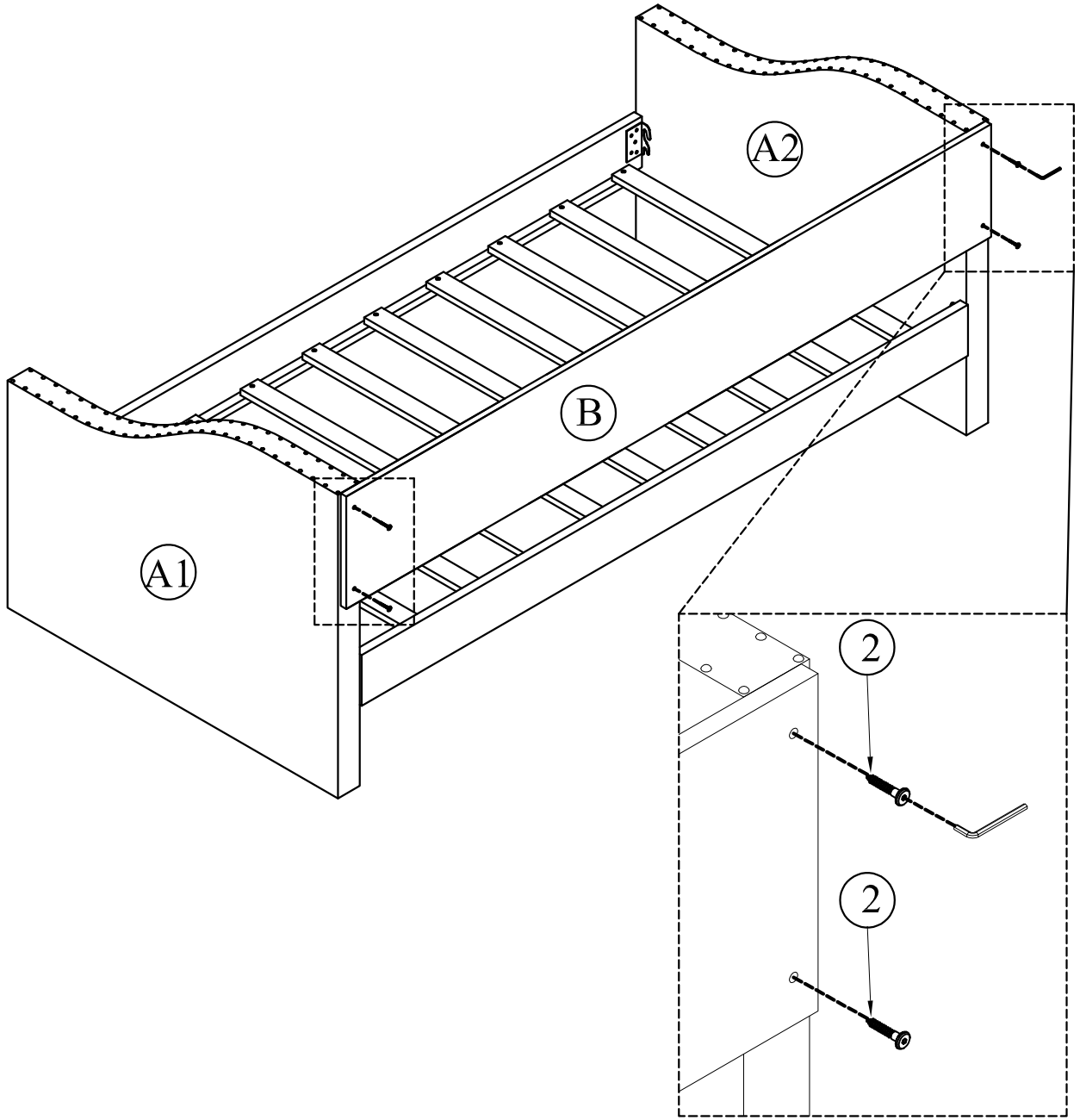
- Screw 10 slats D with Frame (completed on step 3) by using hardware #7.
- Look at detail view for more detail



STEP 4: Following below illustration:

- Using hardware #2 and allen key #6 install back panel #B with Right Arm and Left Arm.
- Look at detail view for more detail

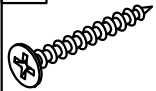

2	
4pcs	

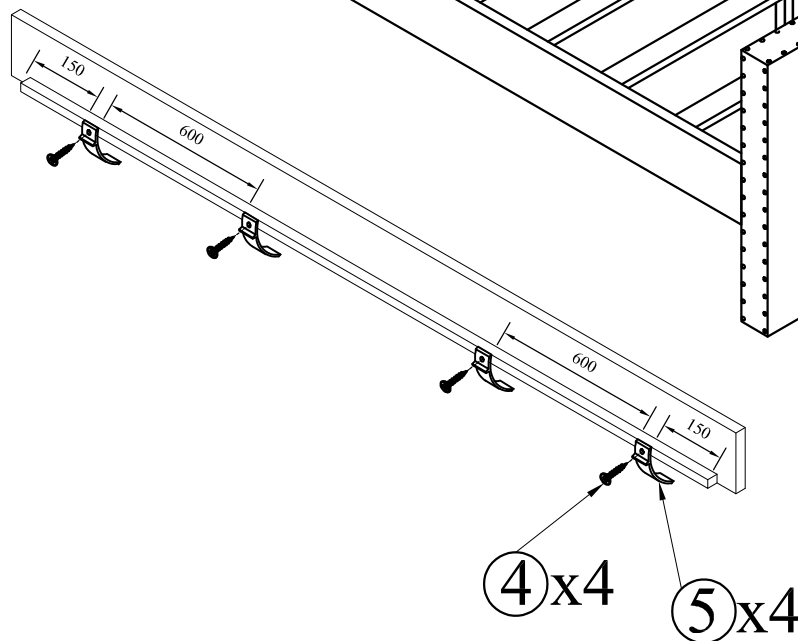
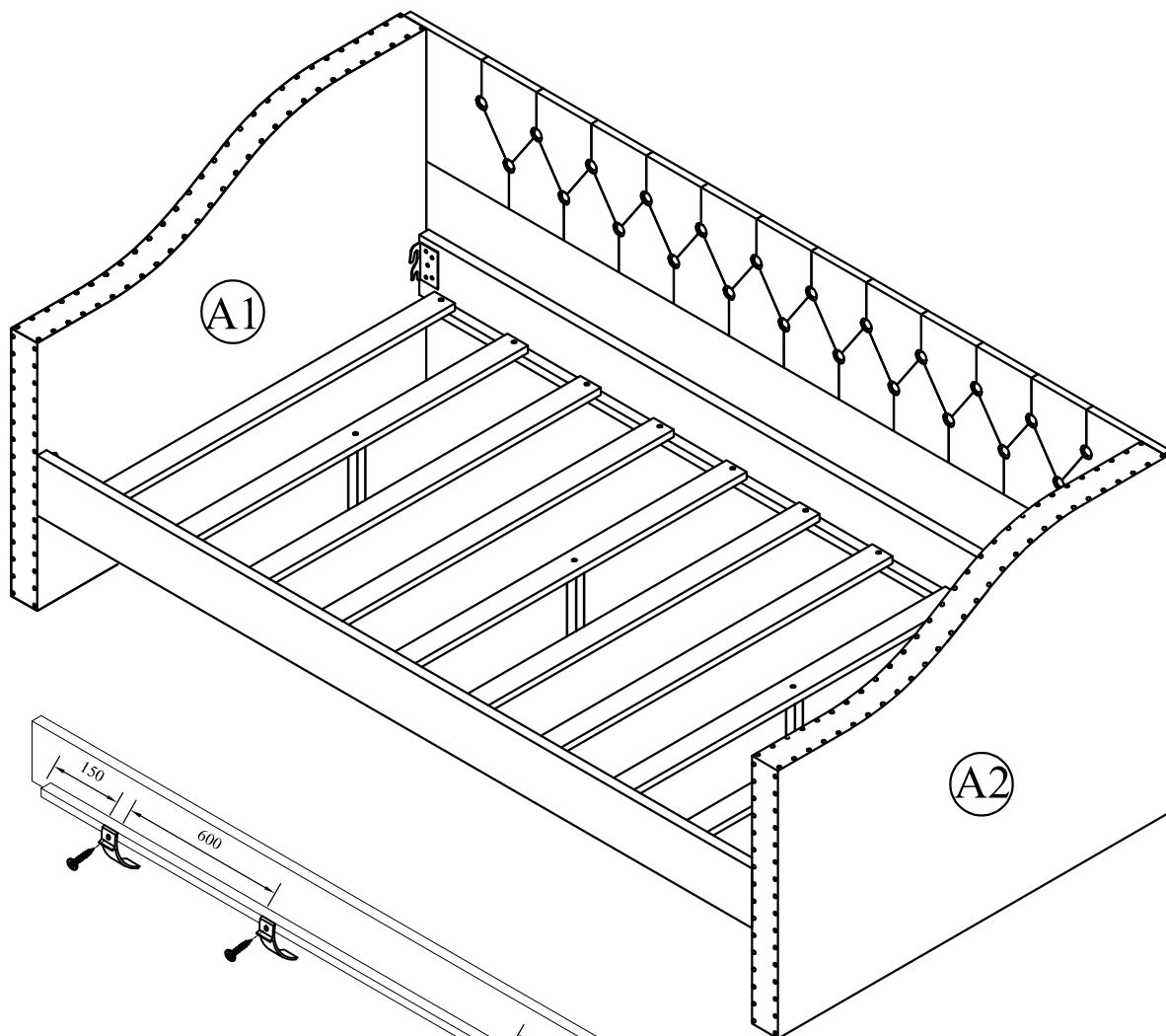


STEP 5: Following below illustration


-Using hardward #4 to Assembly Drawer Stopper #5 with Side rails

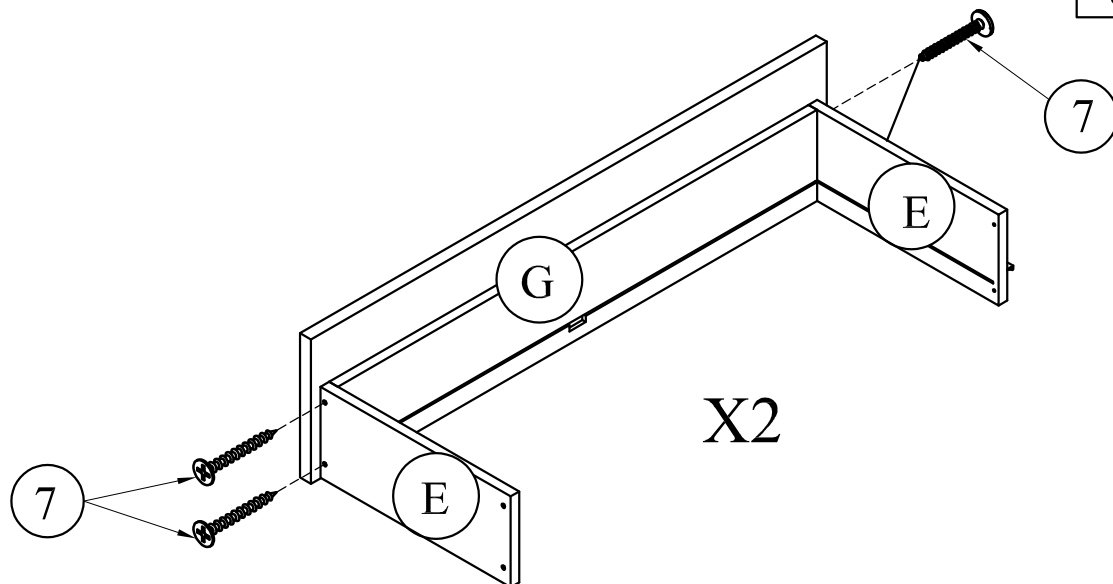
-Look at detail view for more detail

4	5
	
4pcs	4pcs

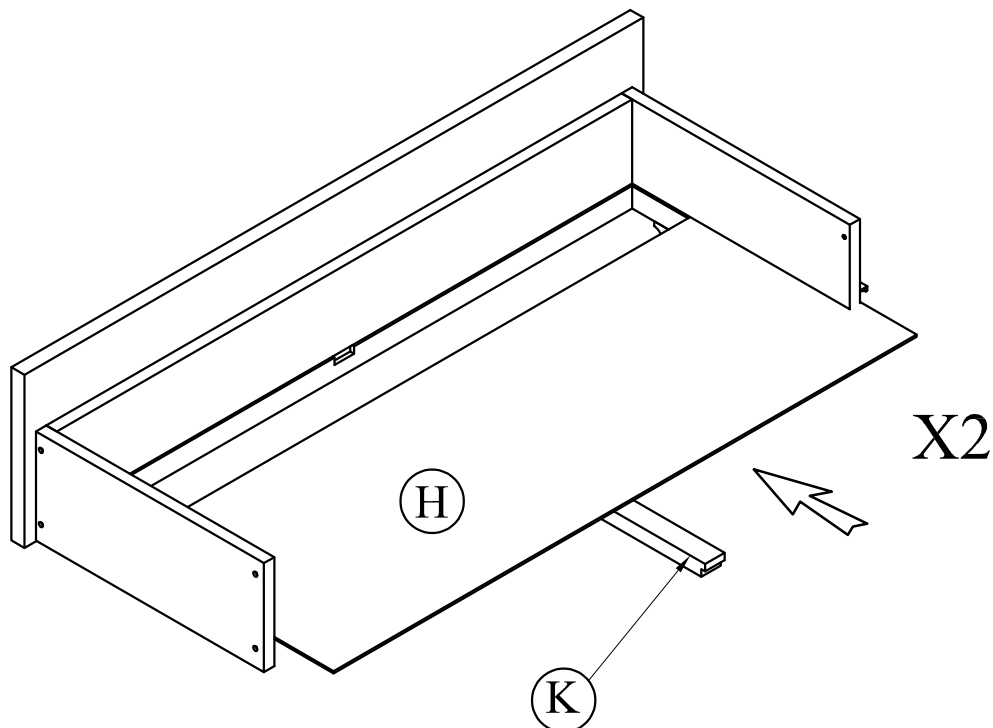


STEP 6-1: Following below illustration

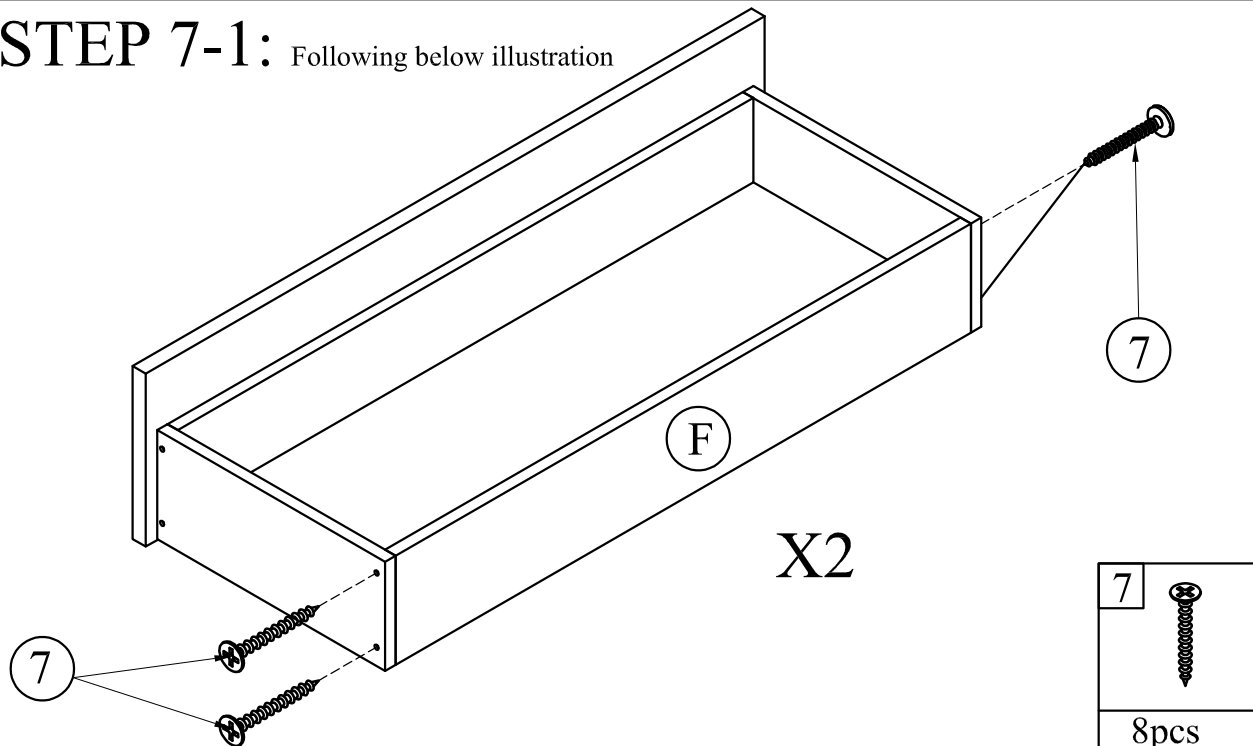
7	
8pcs	



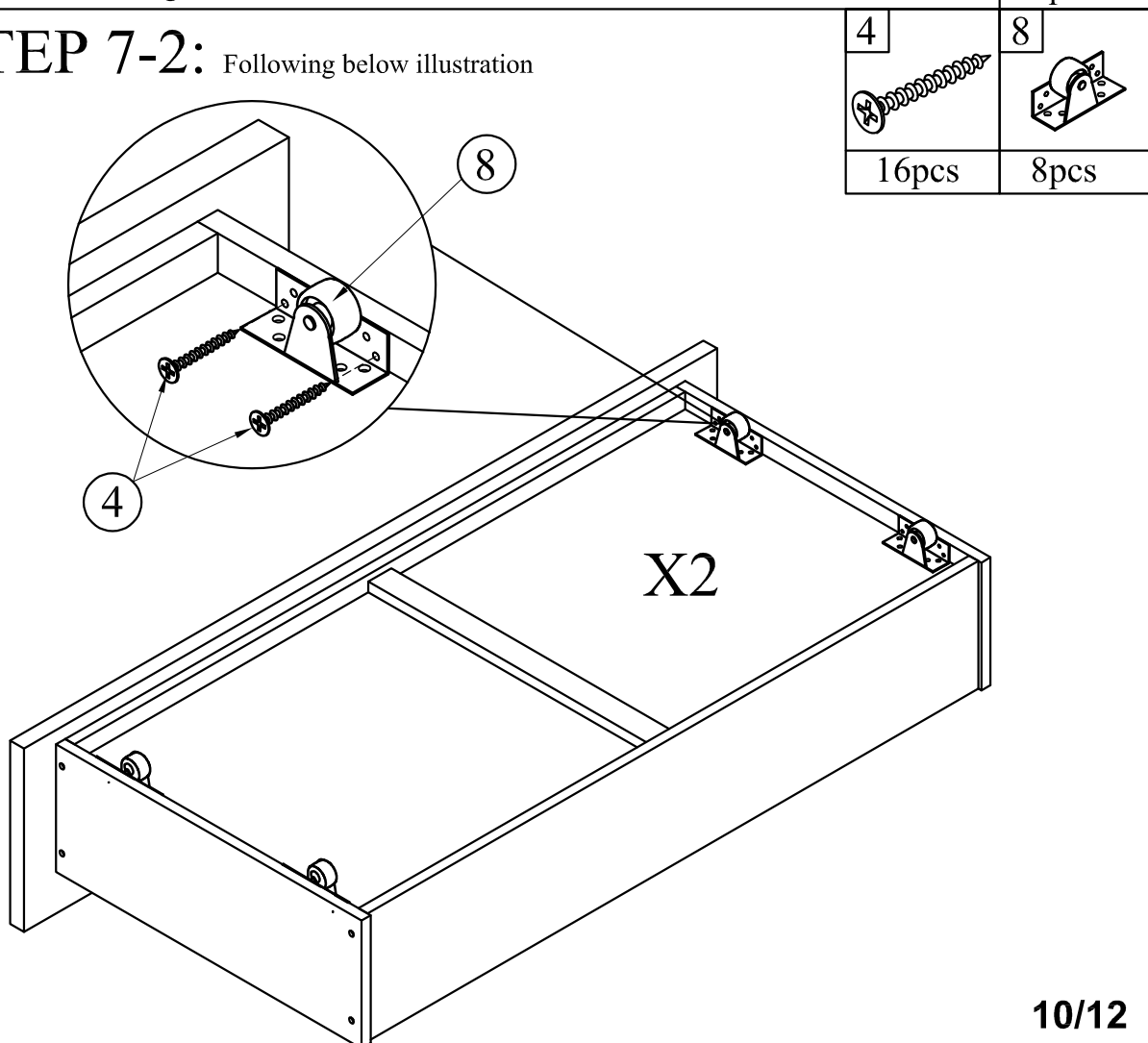
STEP 6-2: Following below illustration



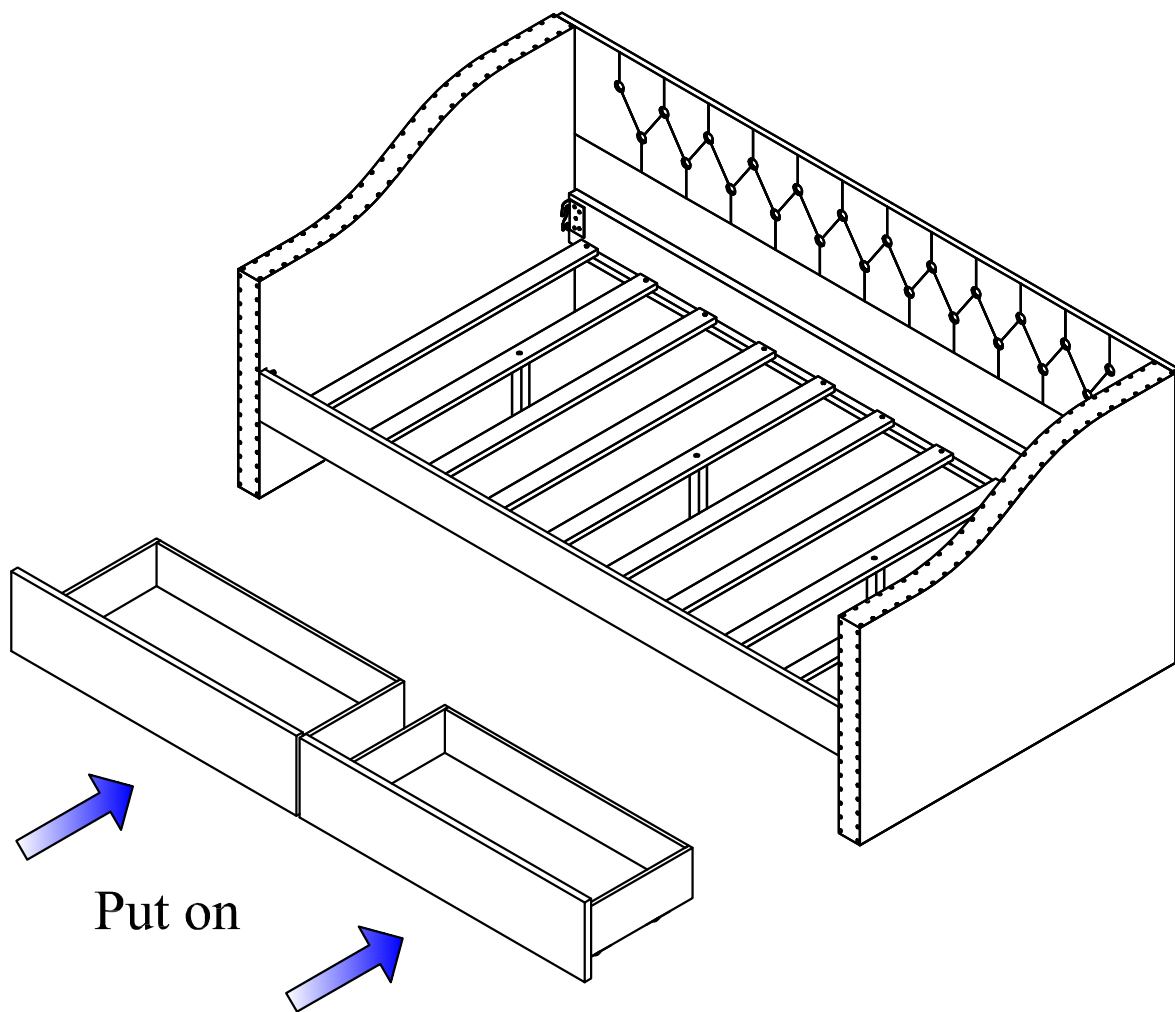
STEP 7-1: Following below illustration



STEP 7-2: Following below illustration



STEP 8: Following below illustration



Put on

FINISH

