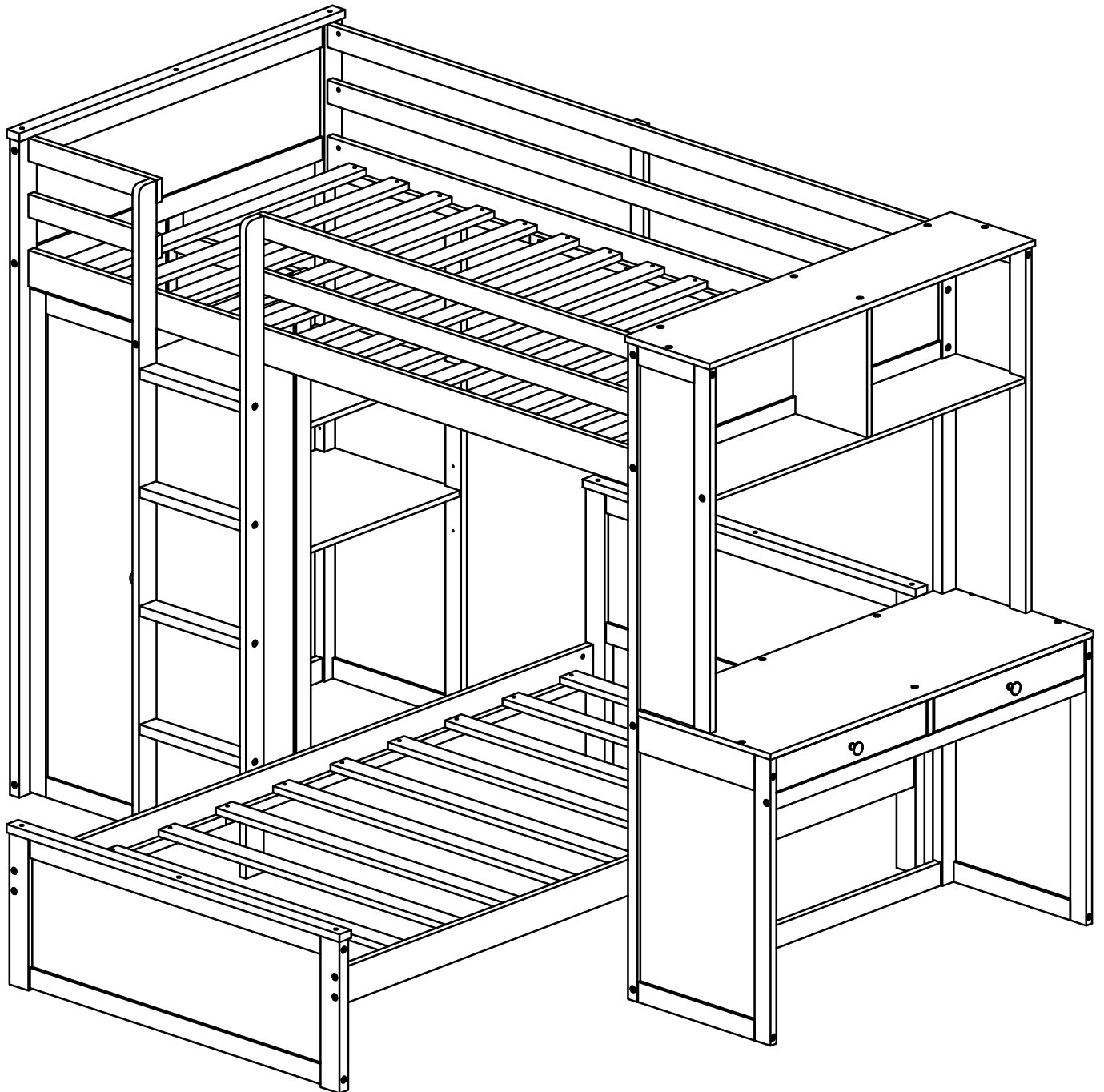


ASSEMBLY INSTRUCTION

SKU CODE: (WF294619-WF294620-WF294621)

This set included 3 boxex if do not receive full 3 boxex .Please contact our customer service team



! SAFETY WARNINGS !

1. This bed is designed for use only mattress (es) meeting the following specifications on the upper bunk, and lower bunk

Upper bed

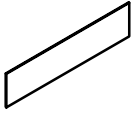
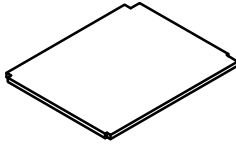
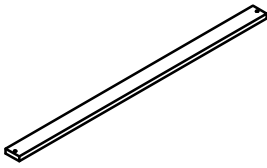
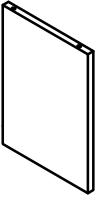

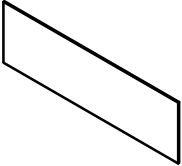




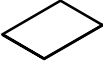
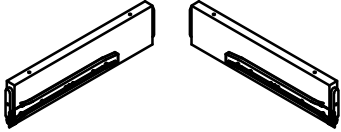

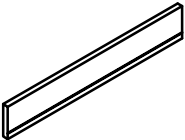


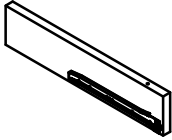
Bed Type	Length	Width	Thickness
<i>Twin Standard</i>	<i>74" - 75"</i>	<i>38 1/2"</i>	<i>6" max</i>

Lower bed





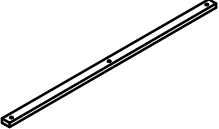
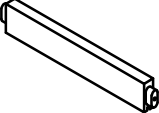
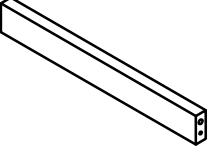
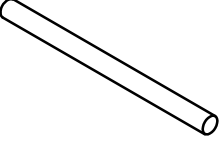





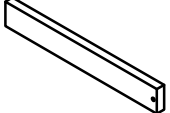

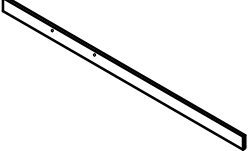
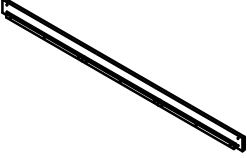
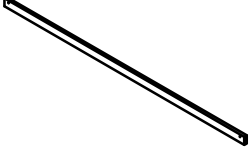
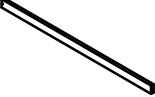


Bed Type	Length	Width	Thickness
<i>Twin Standard</i>	<i>74" - 75"</i>	<i>38 1/2"</i>	<i>8" max</i>

2. Replacement parts, including additional guardrails, maybe obtained from any of our (GIGACLOUD TECHNOLOGY (USA) INC. 18961 ARENTH AVENUE CITY OF INDUSTRY, CA, 91748) dealers
3. Follow the information on the warnings appearing on the upper bunk bed end structure and on the carton. Do not remove warning label from bed
4. Always use the recommended size mattresses or mattress supports, or both, to help prevent the likelihood of entrapment or falls.
5. Surface of mattress must be at least 5" (127mm) below the upper edge of guardrails
6. Do not allow children under 6 years of age to use the upper bunk.
7. Periodically check and ensure that the guardrail, ladder, and other components are in their proper position, free from damage, and that all connectors are tight.
8. Do not allow horseplay on or under the bed and prohibit jumping on the bed.
9. Always use the ladder for entering and leaving the upper bunkAlways use the ladder for entering and leaving the upper bunk.
10. Do not use substitute part. Contact the manufacture or dealer for replacement part
11. Use of a night light may provide added safety precaution for a child using the upper bunk..
12. Always use guardrails on both long sides of the upper bunk. If the bunk bed will be placed next to the wall, the guardrail that runs the full length of the bed should be placed against the wall to prevent entrapment between the bed and wall.
13. The use of water or sleep flotation mattresses is prohibited
14. **STRANGULATION HAZARD** - Never attach or hang items to any part of the bunk bed that are not designed for use with the bed; for example, but not limited to, hook, belts and jump ropes
15. Keep these instruction for future reference
16. Prohibit more than one person on upper bunk
17. We recommend assembling your bunk bed on the shipping carton to protect your floor or carpet
18. Be certain all staples are out of the box before beginning assembly on the shipping carton.

Part List (Box 1-WF294619)

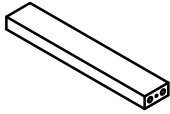
<p>A7</p>  <p>Panel-2pcs</p>	<p>D6</p>  <p>Panel-2pcs</p>	<p>D7</p>  <p>Slats-24pcs</p>
<p>E4</p>  <p>Panel-1pc</p>	<p>E7</p>  <p>Panel-2pcs</p>	<p>F3</p>  <p>Panel-2pcs</p>
<p>F4</p>  <p>Leg-1pc</p>	<p>F5</p>  <p>Leg-1pc</p>	<p>F6</p>  <p>Leg-1pc</p>
<p>F7</p>  <p>Leg-1pc</p>	<p>F9</p>  <p>Panel-2pc</p>	<p>G2</p>  <p>WoodBar- One pair</p>
<p>G3</p>  <p>Panel-2pcs</p>	<p>H2</p>  <p>Drawer Left-2pcs</p>	<p>H3</p>  <p>Drawer Right-2pcs</p>
<p>H4</p>  <p>Drawer Rear-2pcs</p>	<p>H5</p>  <p>WoodBar-1pc</p>	

Part List & Hardware List (Box 2-WF294620)

<p>A1</p>  <p>Leg-1pc</p>	<p>A2</p>  <p>Leg-1pc</p>	<p>A3</p>  <p>Leg-1pc</p>
<p>A4</p>  <p>Leg-1pc</p>	<p>A9</p>  <p>WoodBar-1pc</p>	<p>B3</p>  <p>WoodBar-2pcs</p>
<p>B4</p>  <p>WoodBar-1pc</p>	<p>B8</p>  <p>WoodBar-1pc</p>	<p>C2</p>  <p>WoodBar-1pc</p>
<p>C1</p>  <p>WoodBar-1pc</p>	<p>C6</p>  <p>WoodBar-1pc</p>	<p>C7</p>  <p>WoodBar-1pc</p>
<p>C8</p>  <p>WoodBar-1pc</p>	<p>C9</p>  <p>WoodBar-2pcs</p>	<p>D4</p>  <p>WoodBar-1pc</p>
<p>D1</p>  <p>Side Rail-1pc</p>	<p>D2</p>  <p>Side Rail-1pc</p>	<p>D3</p>  <p>WoodBar-2pcs</p>
<p>D5</p>  <p>WoodBar-2pcs</p>	<p>D8</p>  <p>WoodBar-1pc</p>	<p>D9</p>  <p>WoodBar-1pc</p>

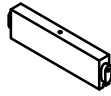
Part List & Hardware List (Box 2-WF294620)

E1



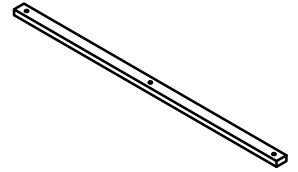
WoodBar-4pcs

E6



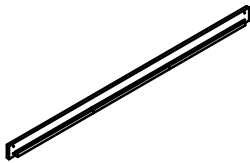
WoodBar-2pcs

F1



WoodBar-2pcs

F8



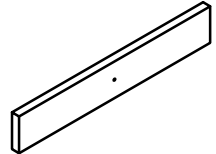
Side Rail-2pcs

G4



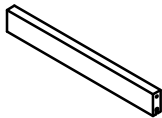
WoodBar-2pcs

H1



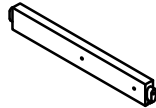
Drawer front panels-2pcs

H6



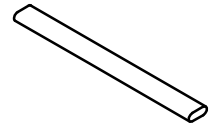
WoodBar-1pc

H7



WoodBar-1pc

H8



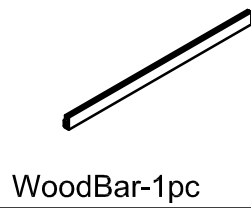
WoodBar-2pcs

Part List (Box 3-WF294621)

A5



A6



A8



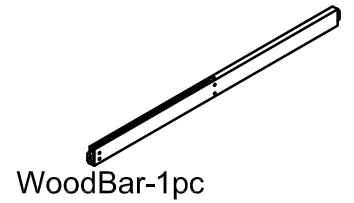
B1



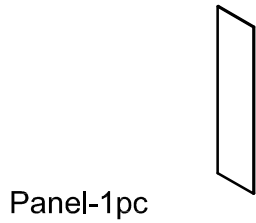
B2



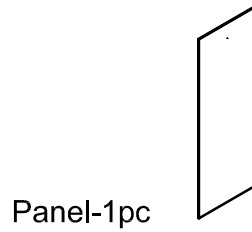
B5



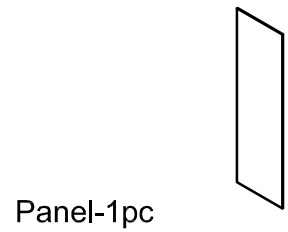
B6



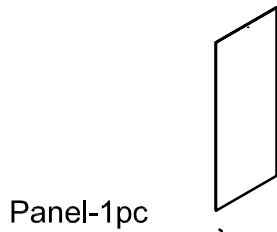
B7



B9



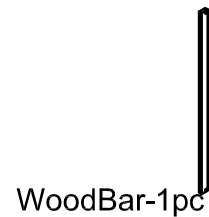
C3



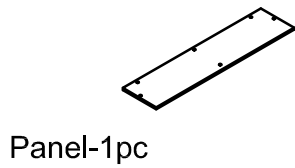
C4



C5



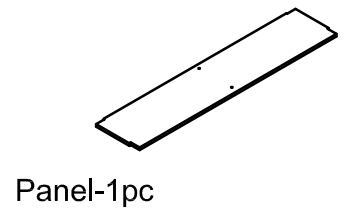
E2



E3



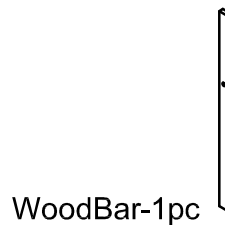
E5



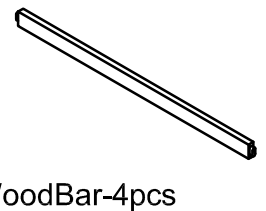
E8



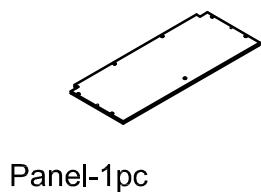
E9



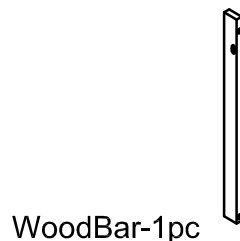
F2



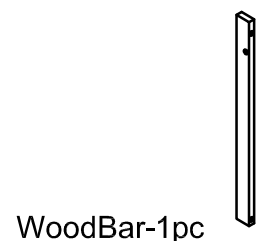
G1



G5

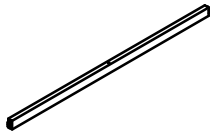


G6



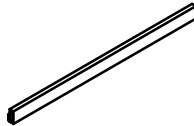
Part List (Box 3-WF294621)

G7



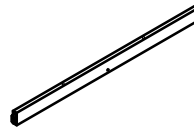
WoodBar-1pc

G8



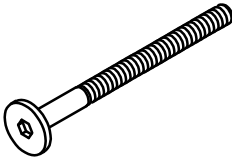







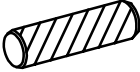
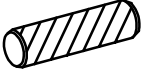

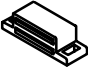








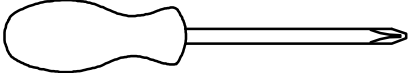
WoodBar-1pc

G9



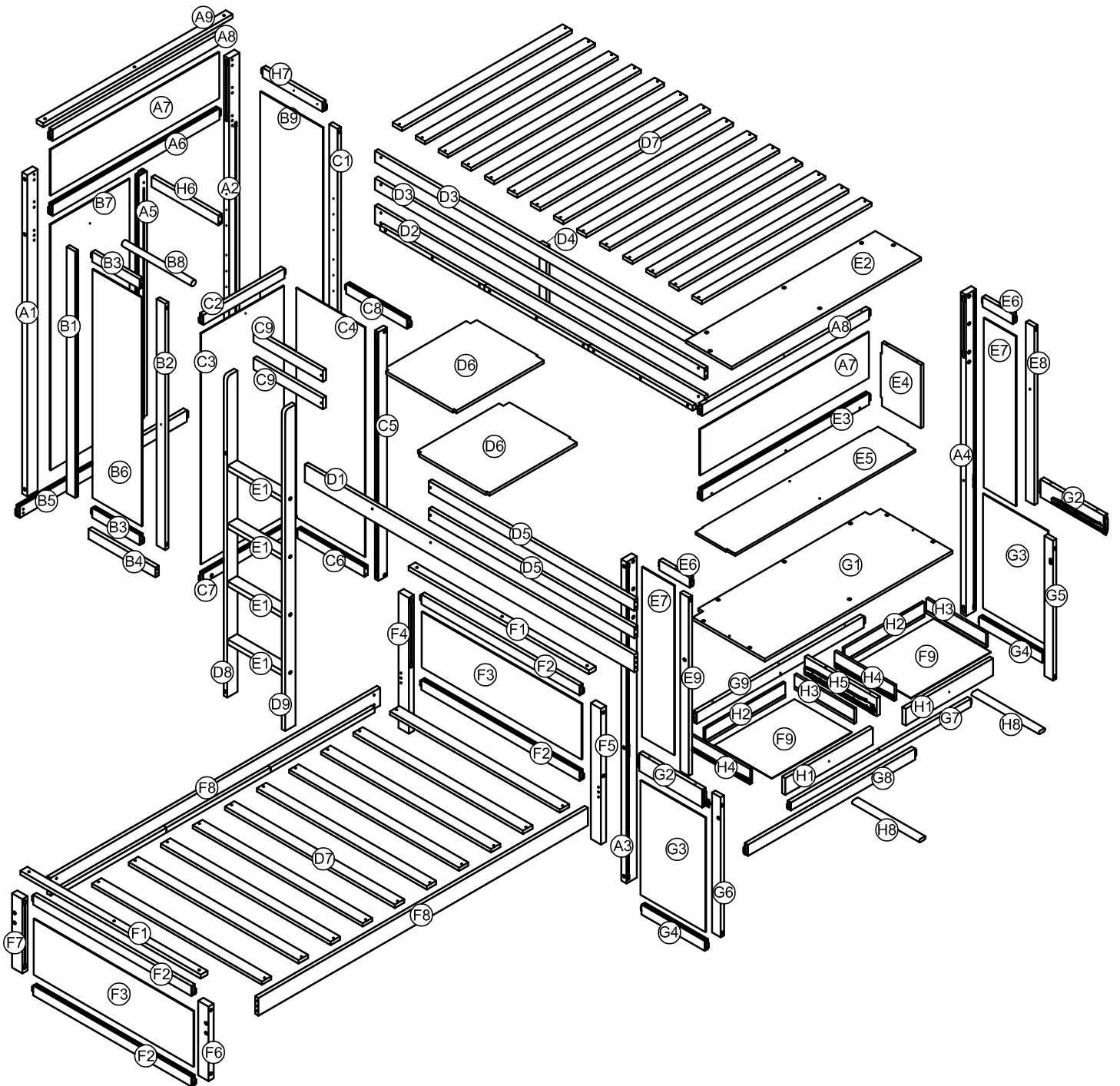
WoodBar-1pc

Hardware List (Box 2-WF294620)



<p>1</p>  <p>Ø1/4" x 70 mm Hex-Head bolts 24pcs</p>	<p>2</p>  <p>Ø1/4" x 30 mm Hex-Head bolts 7pcs</p>	<p>3</p>  <p>Screws 1/4" x30 15pcs</p>
<p>4</p>  <p>Screws 1/4" x40 21pcs</p>	<p>5</p>  <p>Screws 1/4" x50 8pcs</p>	<p>6</p>  <p>Screws 1/4" x60 14pcs</p>
<p>7</p>  <p>Screws 1/4" x70 24pcs</p>	<p>8</p>  <p>Ø1/4" x 13 mm Horizontal-Hole bolts 24pcs</p>	<p>9</p>  <p>Ø10 x 40 mm Wood dowel 32pcs</p>
<p>10</p>  <p>Ø8 x 30 mm Wood dowel 11pcs</p>	<p>11</p>  <p>Allen Key 1pc</p>	<p>12</p>  <p>Door Catches 45x17x13 2pcs</p>
<p>13</p>  <p>M4 x 30 mm Wood Screws 71pcs</p>	<p>14</p>  <p>M3 x 15 mm Wood Screws 9pcs</p>	<p>15</p>  <p>M3 x 12 mm Wood Screws 8pcs</p>
<p>16</p>  <p>Handle Wood 3pcs</p>	<p>17</p>  <p>M4 x 25 mm Wood Screws 3pcs</p>	<p>18</p>  <p>Dowel Remove Shelves 8pcs</p>
<p>19</p>  <p>M4 x 50 mm Wood Screws 1pc</p>	<p>20</p>  <p>M4 x 15 mm Wood Screws 4pcs</p>	

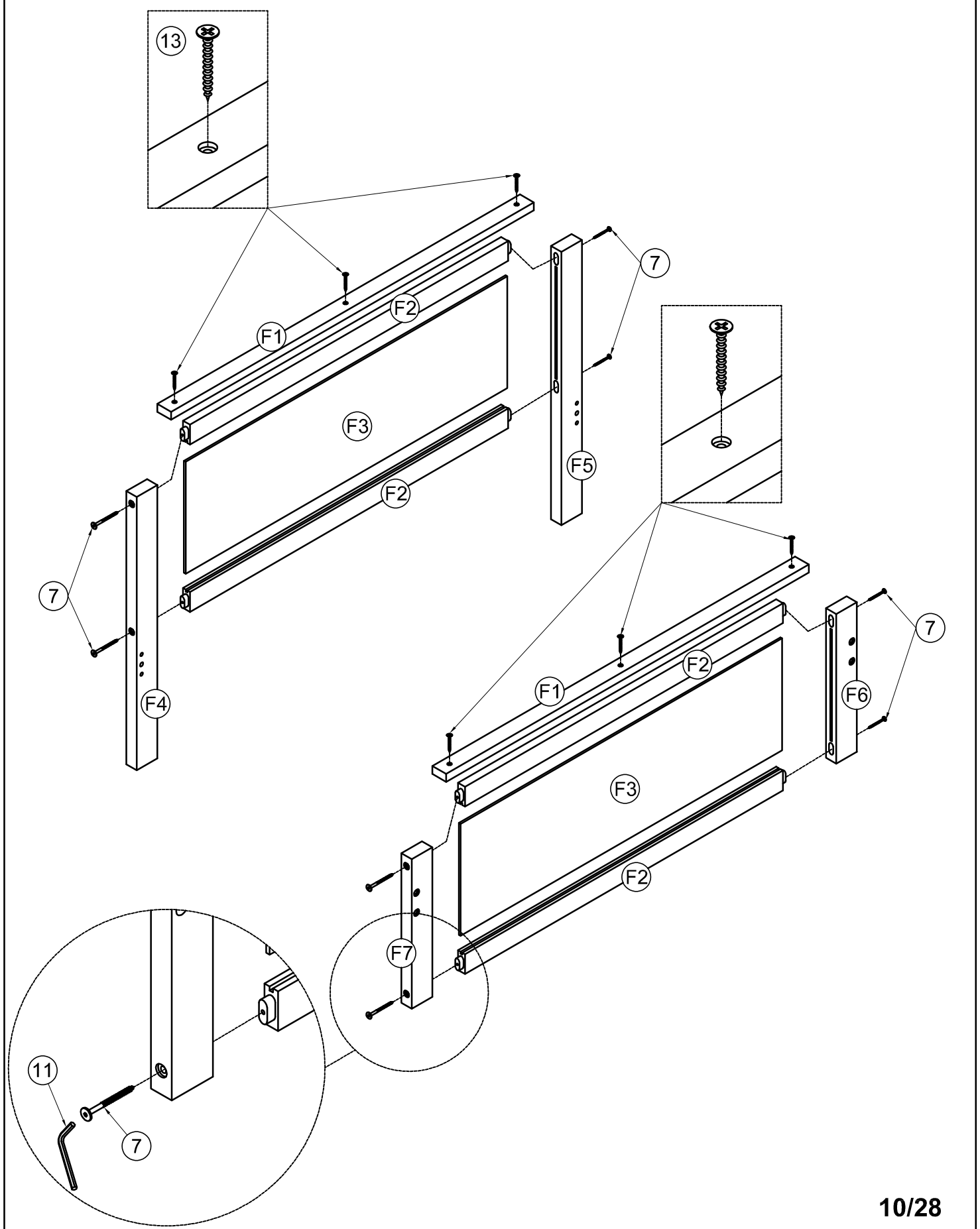
Assembly Tools Required (Not Included)

ASSEMBLY INSTRUCTION


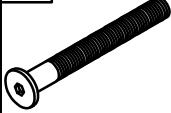



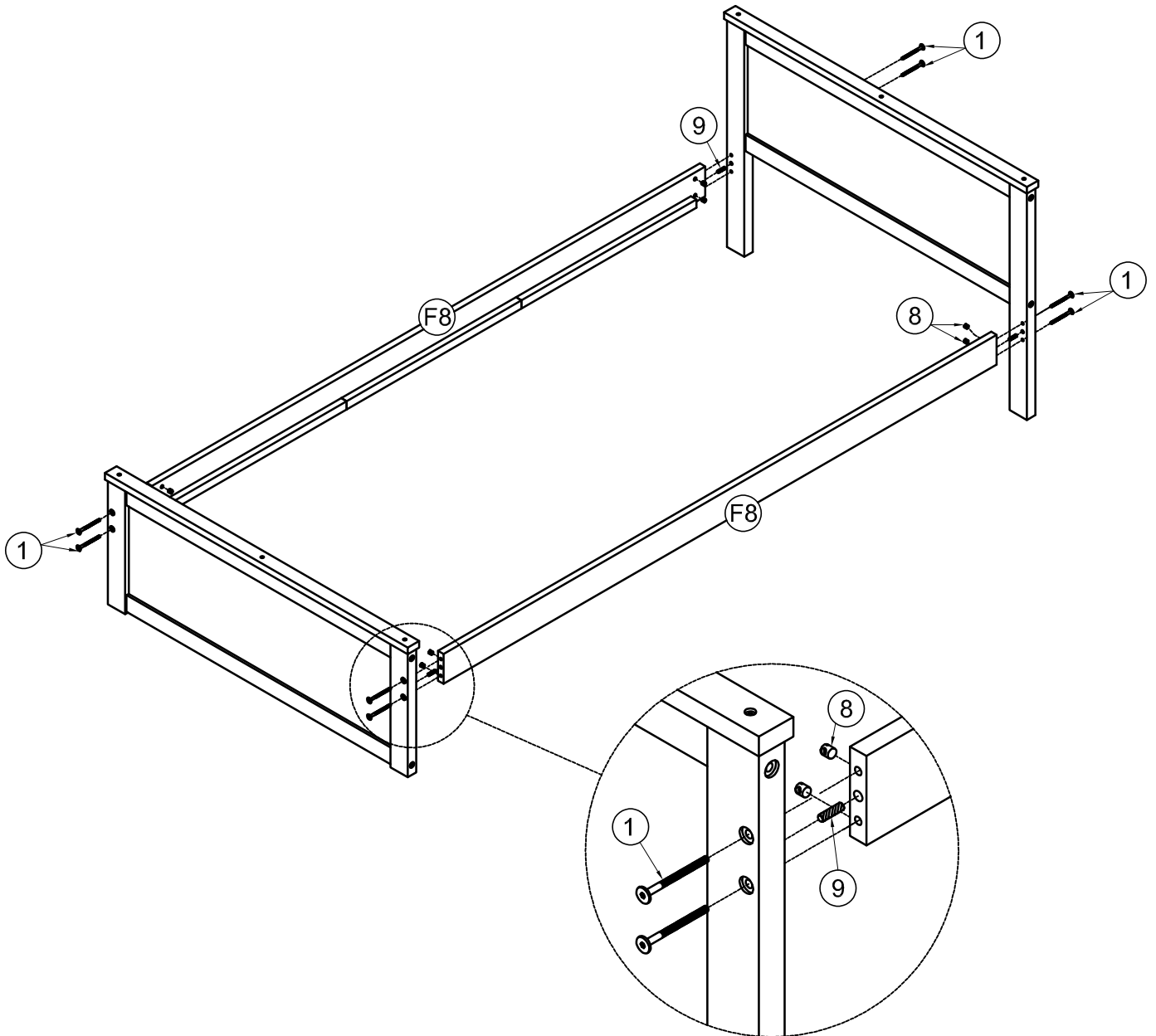
STEP1: Following below illustration.

7	13
	
8(pcs)	6(pcs)



STEP2: Following below illustration.

8		1		9	
8(pcs)		8(pcs)		4(pcs)	

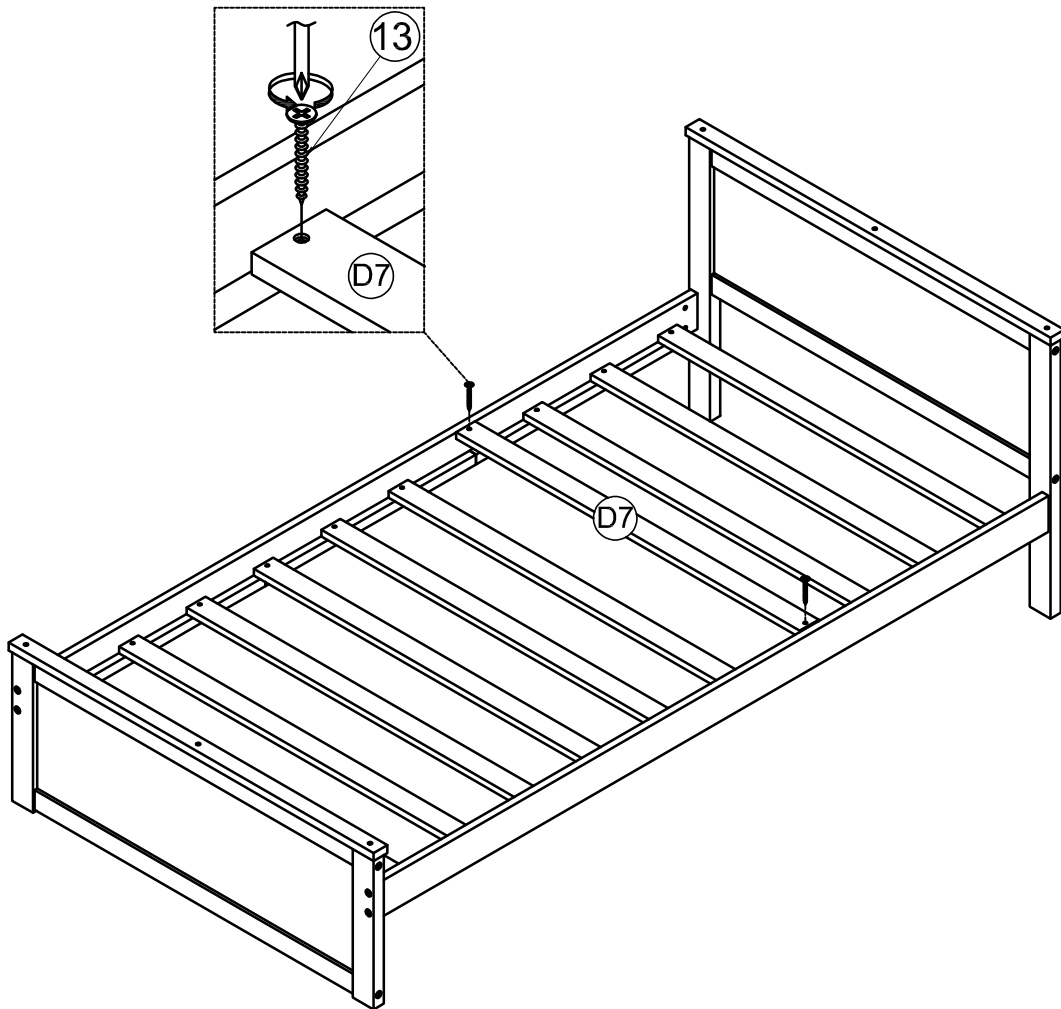


STEP3: Following below illustration.



13

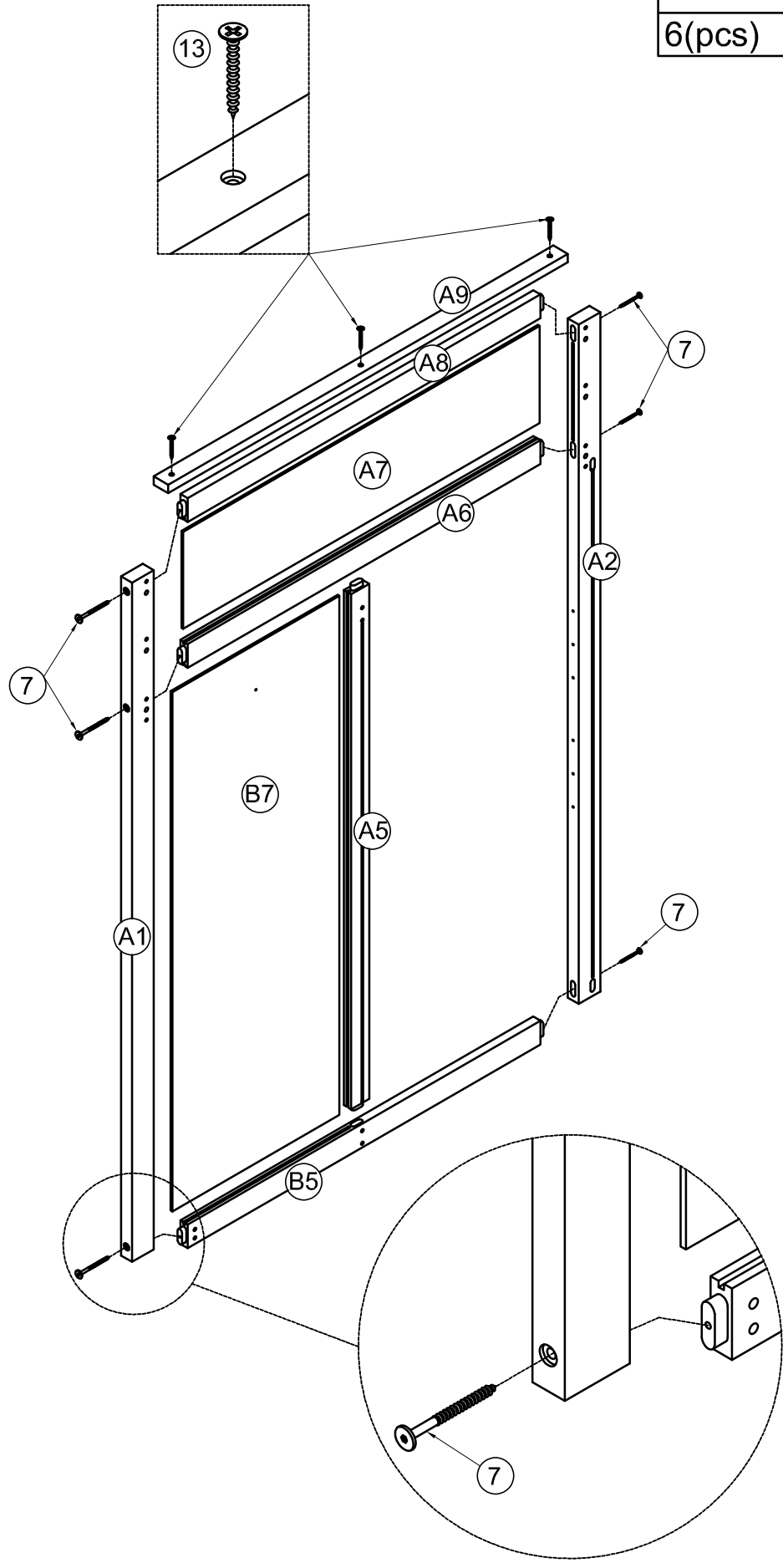


20(pcs)



STEP4: Following below illustration.

7	13
	
6(pcs)	3(pcs)

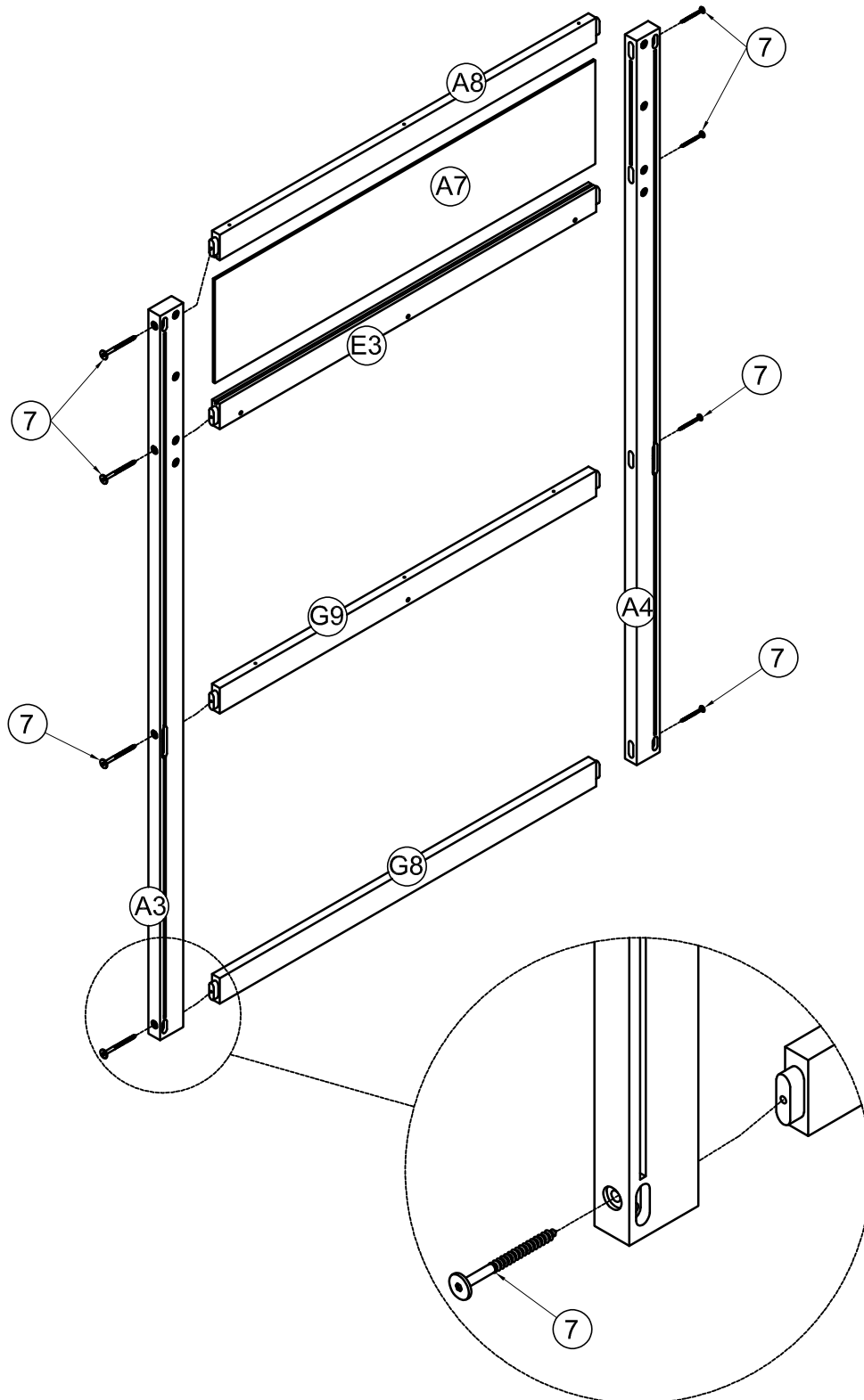


STEP5: Following below illustration.



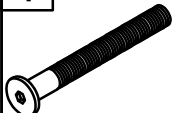

7

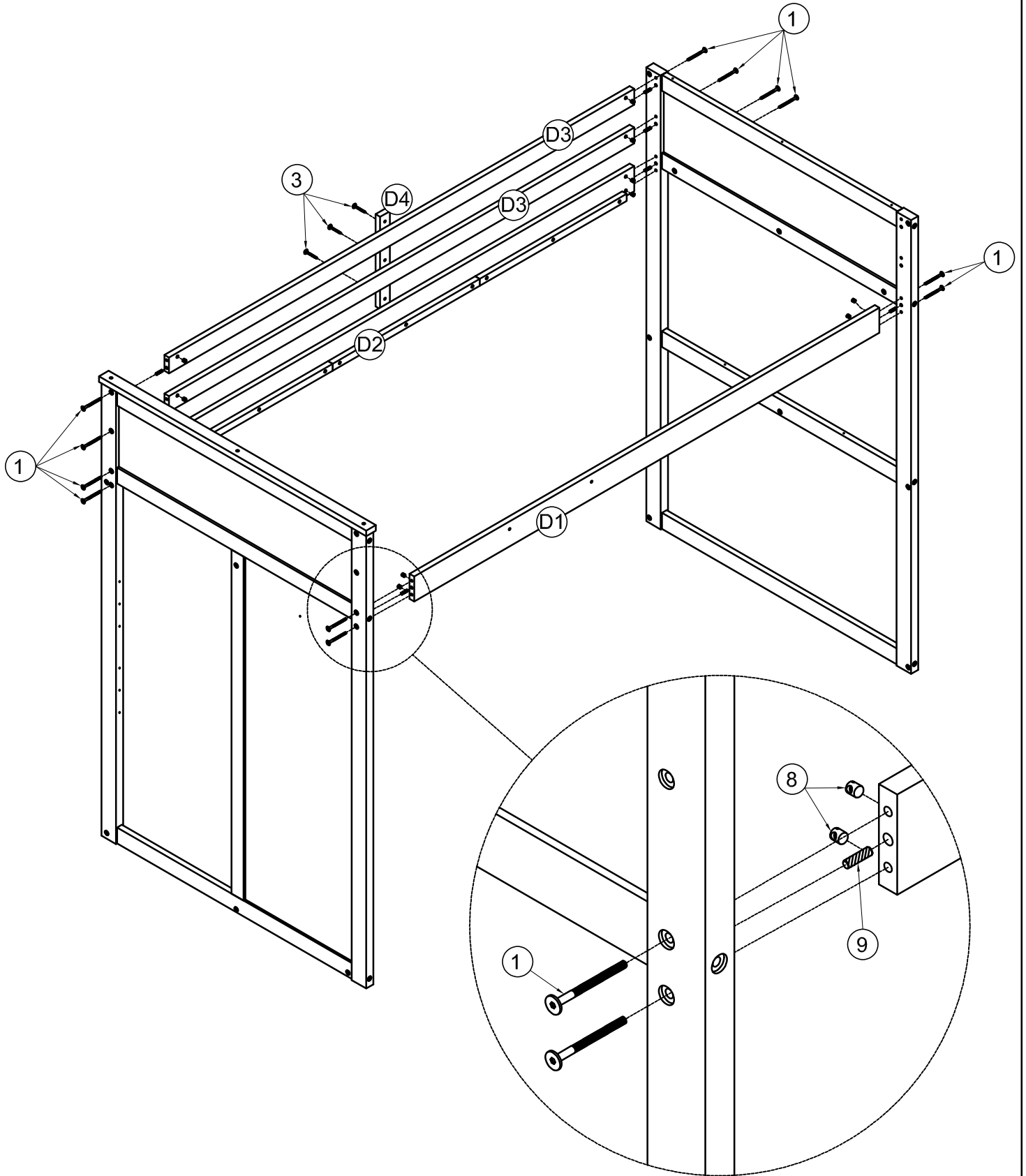


8(pcs)





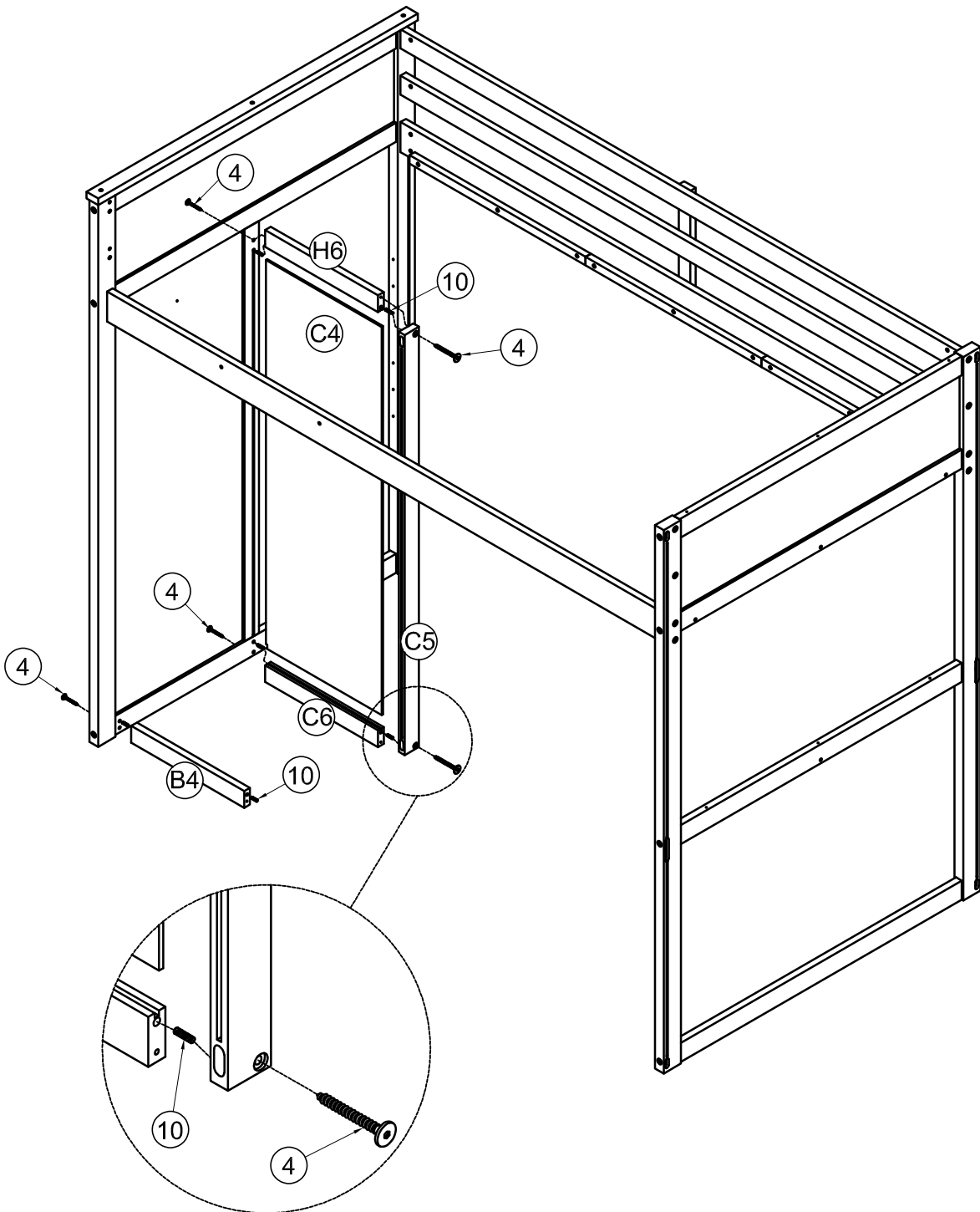
STEP6: Following below illustration.

3	8	1	9
			
3(pcs)	12(pcs)	12(pcs)	8(pcs)








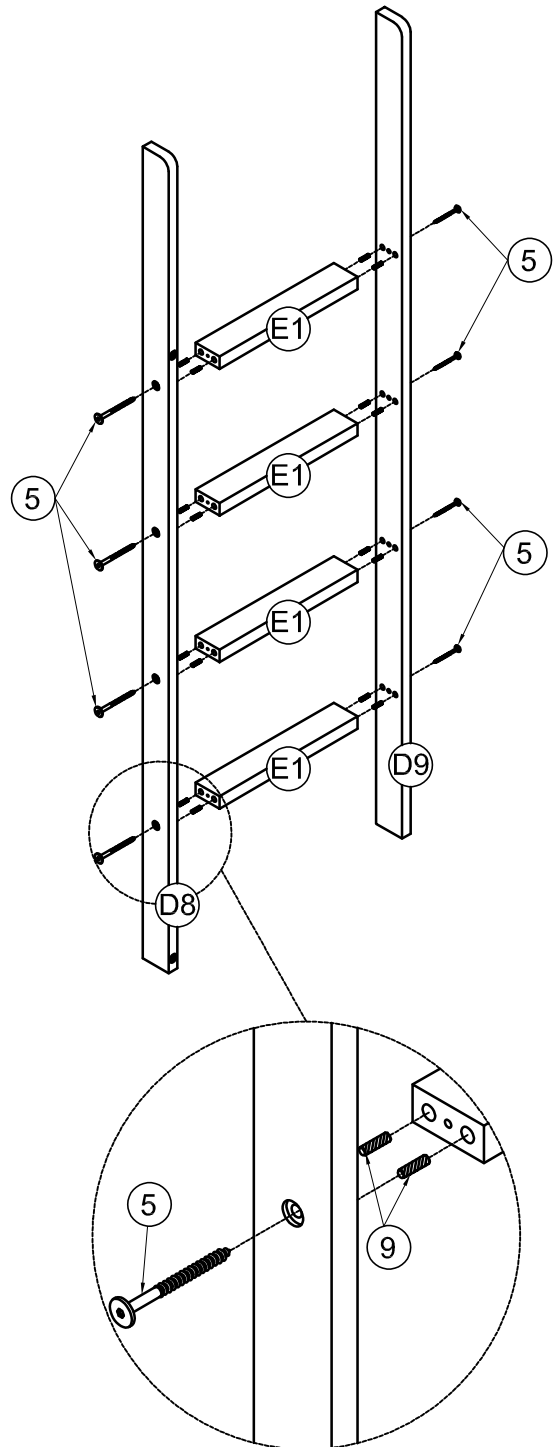
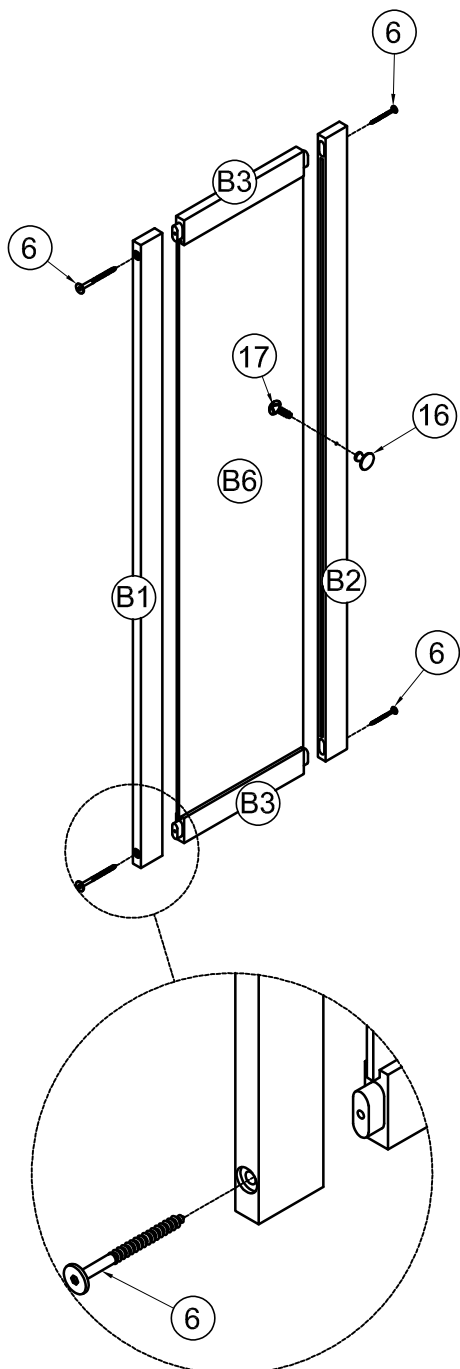
STEP7: Following below illustration.

10		4	
6(pcs)		5(pcs)	






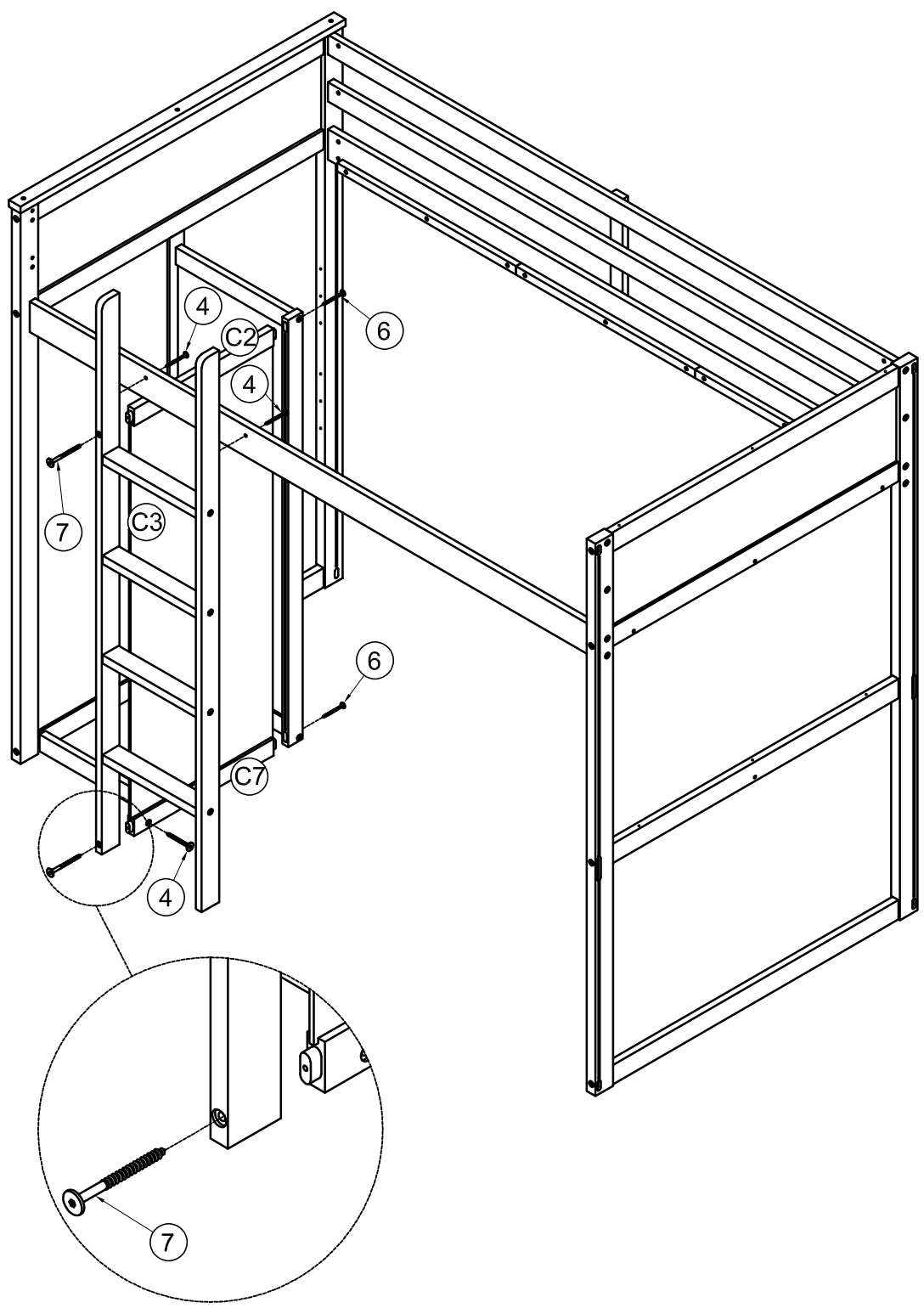
STEP8: Following below illustration.

17	6	9	5
			
1(pcs)	4(pcs)	16(pcs)	8(pcs)
			16
			
			1(pcs)



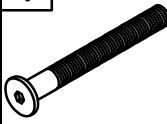





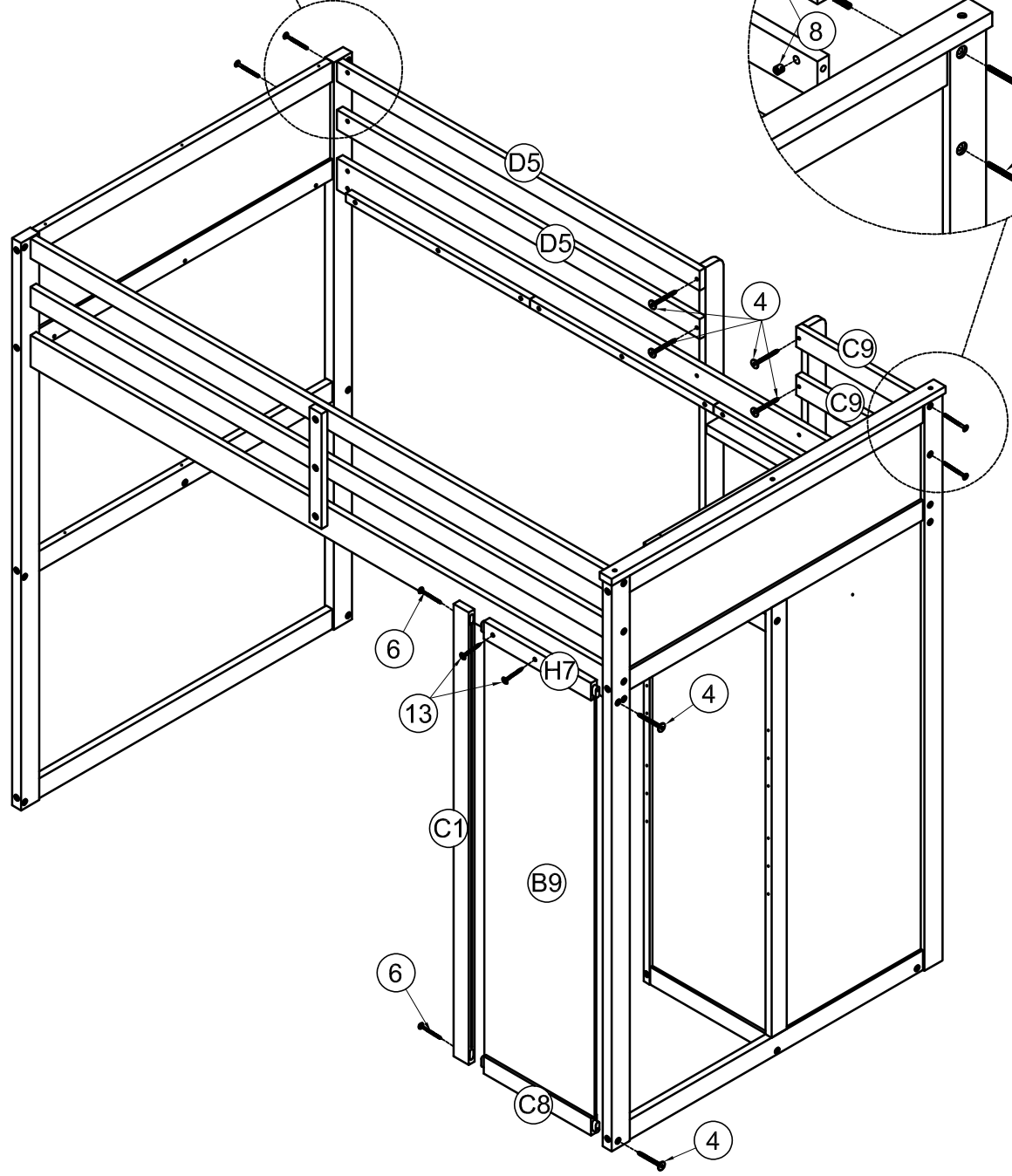
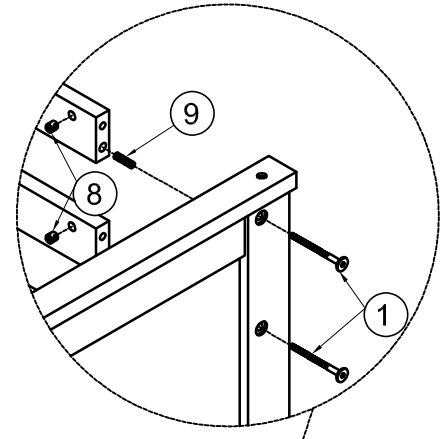
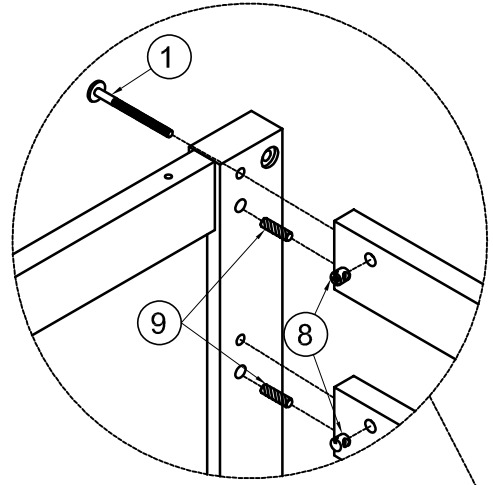
STEP9: Following below illustration.

7	4	6
		
2(pcs)	3(pcs)	2(pcs)

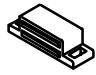






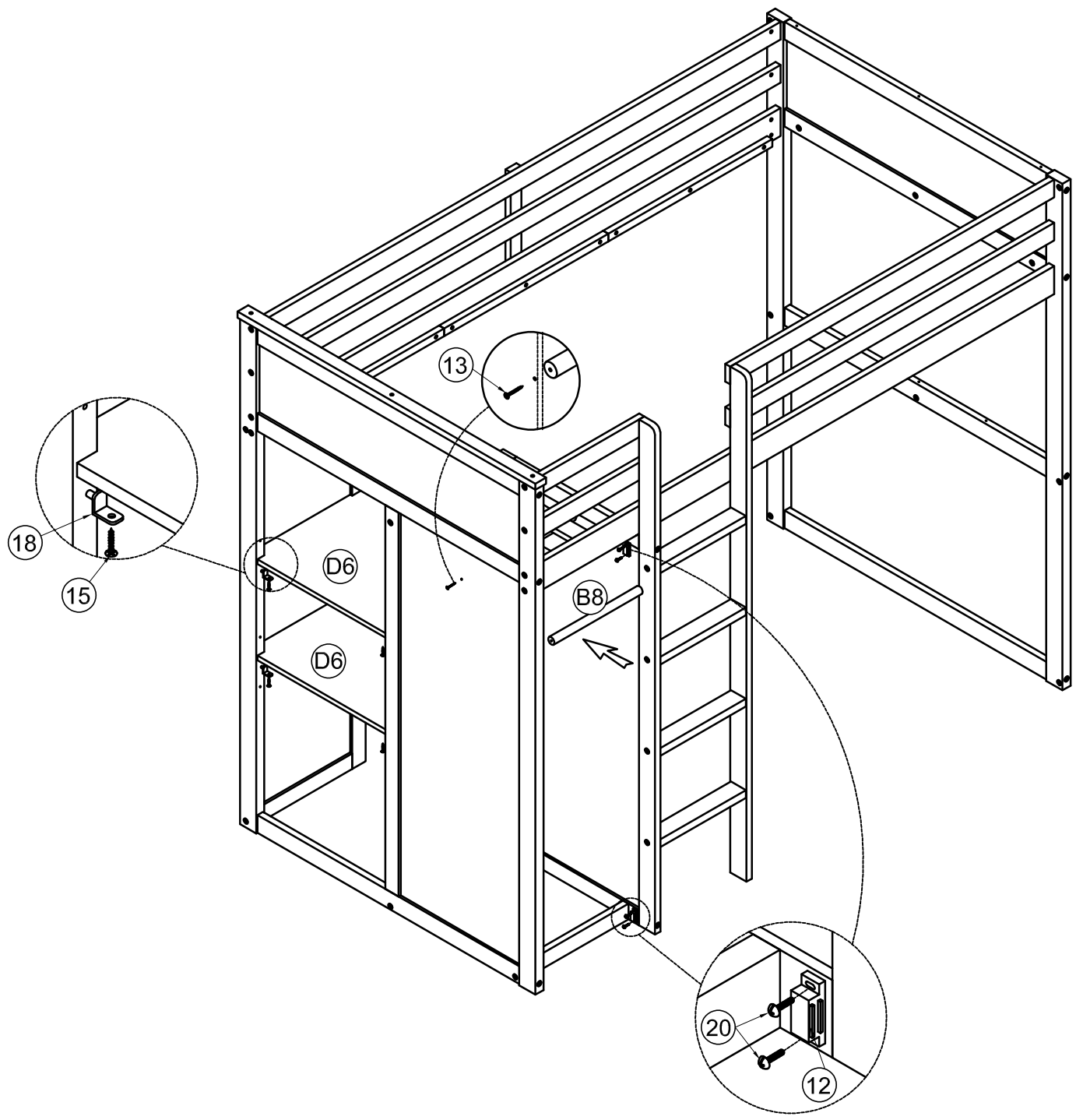
STEP10: Following below illustration.

6	8	1	9
			
2(pcs)	4(pcs)	4(pcs)	4(pcs)
		13	4
			
		2(pcs)	6(pcs)



STEP11: Following below illustration.

12	18	13	15
			
2(pcs)	8(pcs)	2(pcs)	8(pcs)
			20
			
			4(pcs)

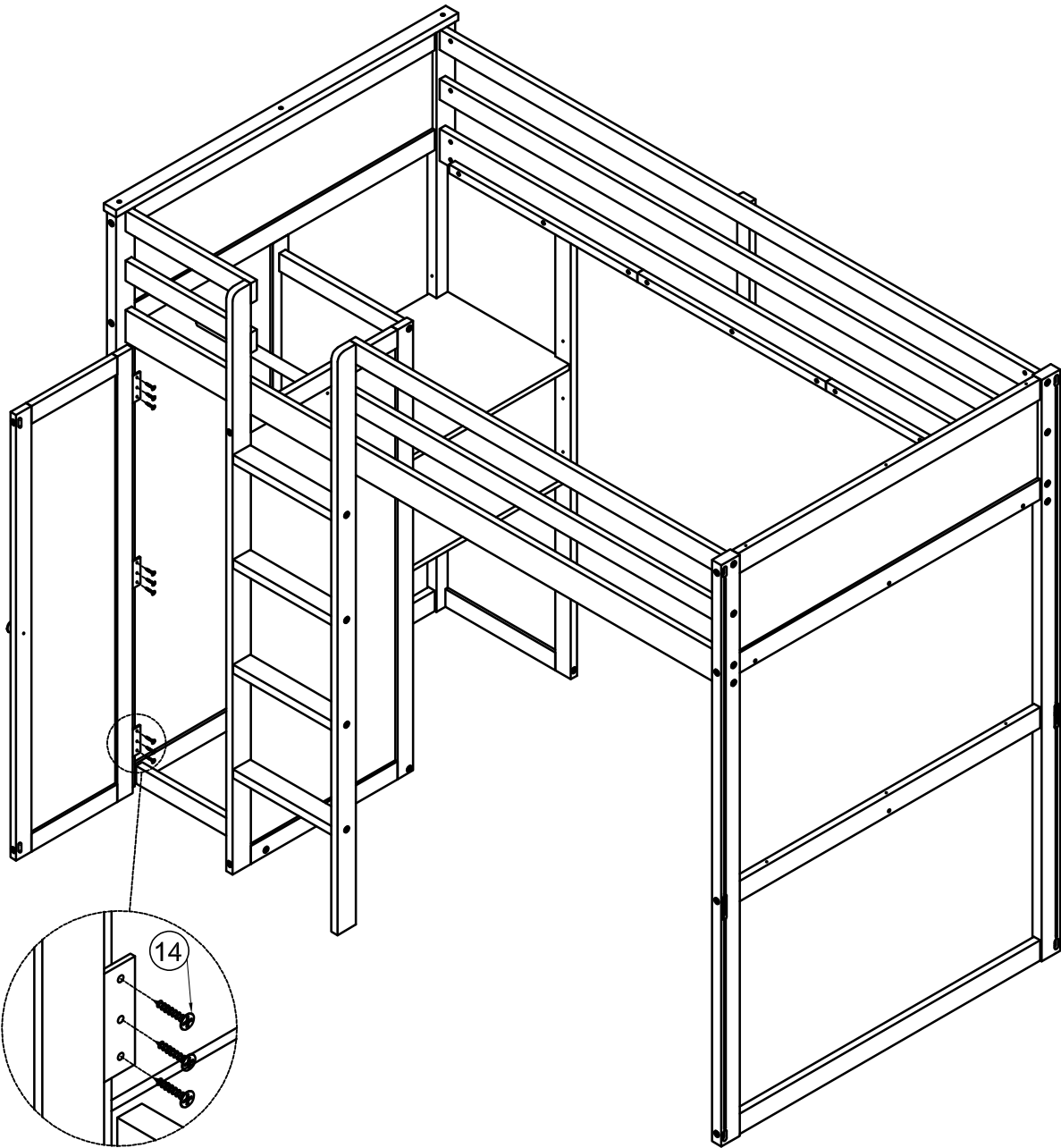


STEP12: Following below illustration.




14

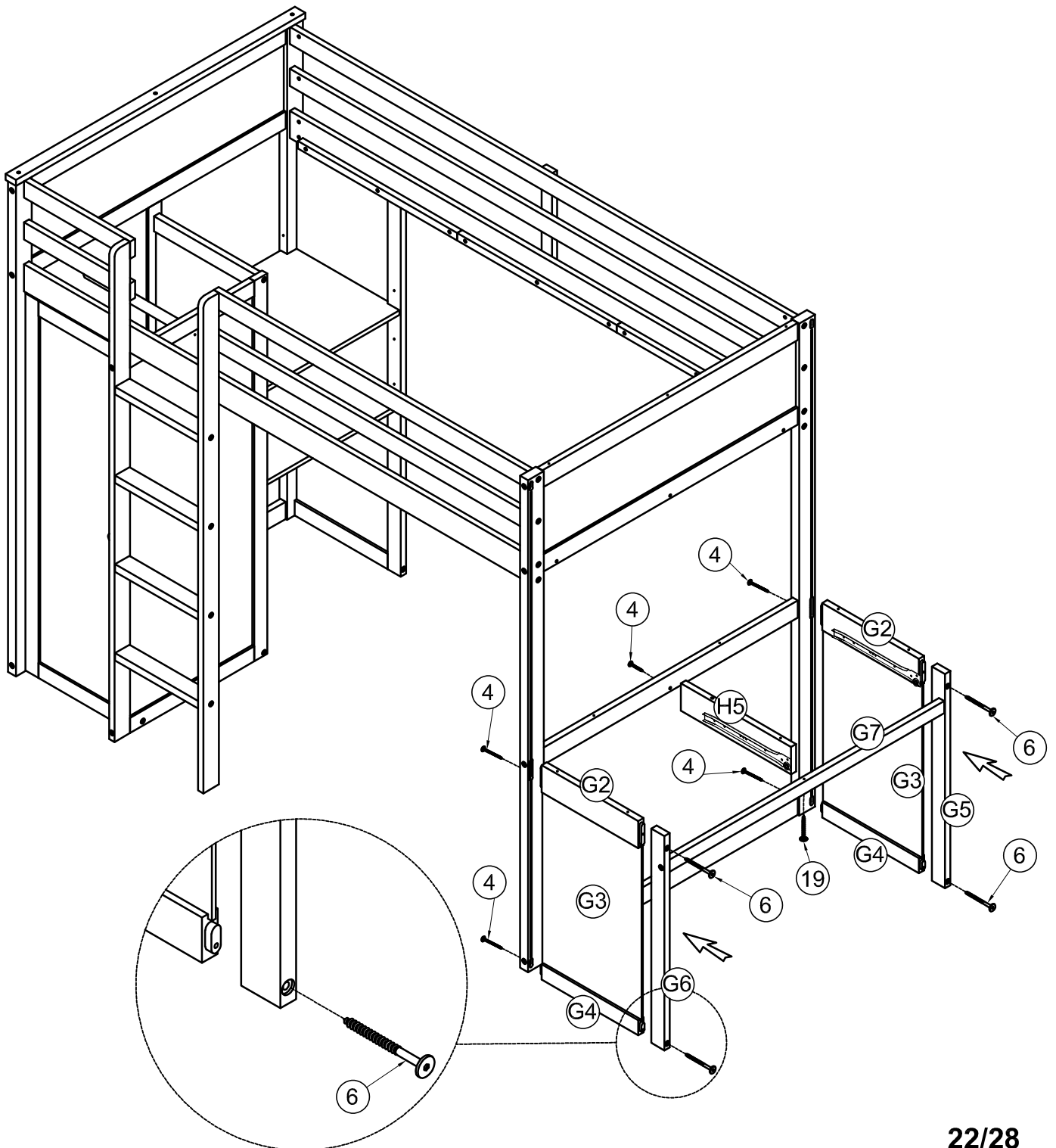


9(pcs)





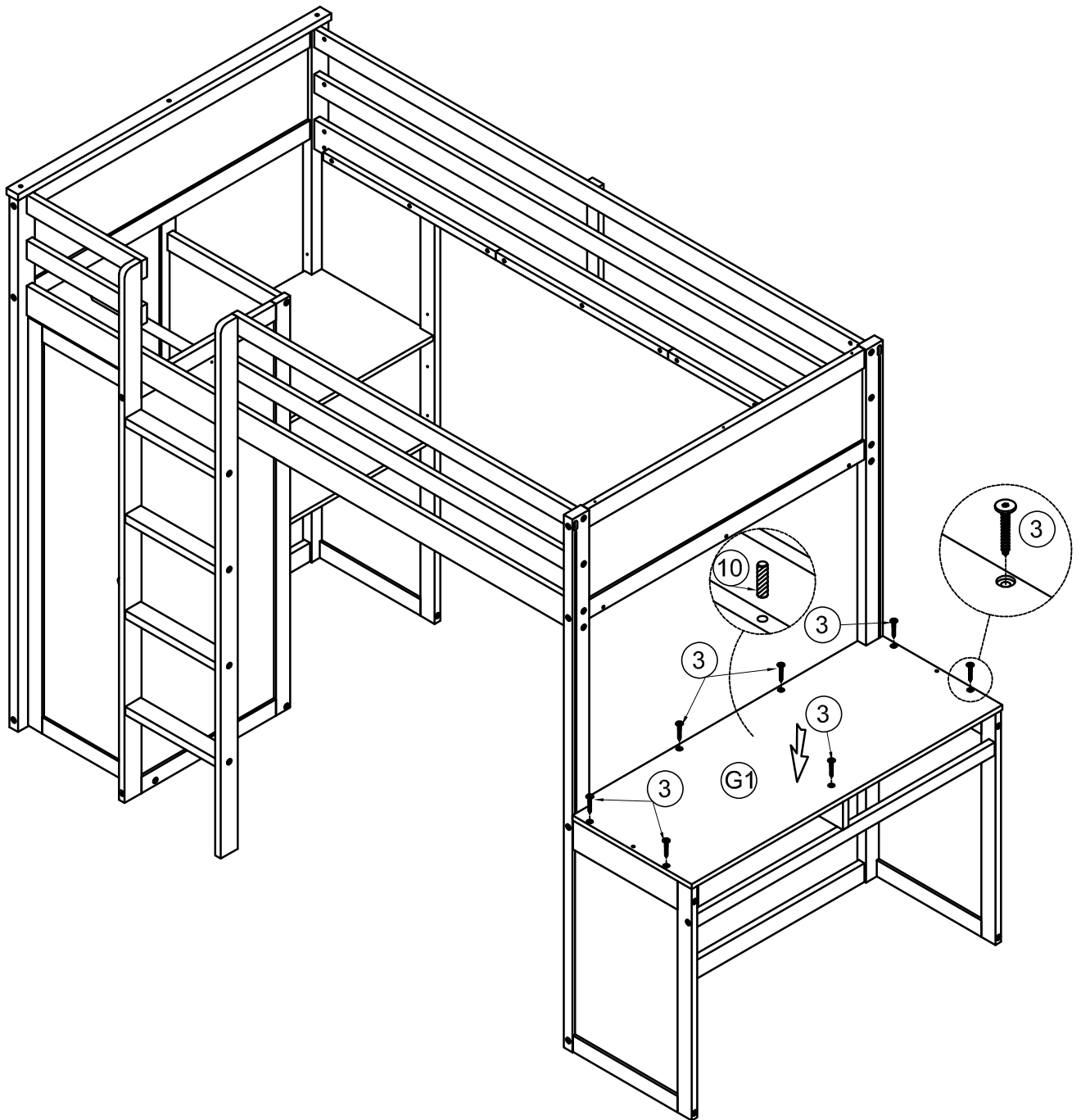
STEP13: Following below illustration.

19		4		6	
1(pcs)		5(pcs)		4(pcs)	






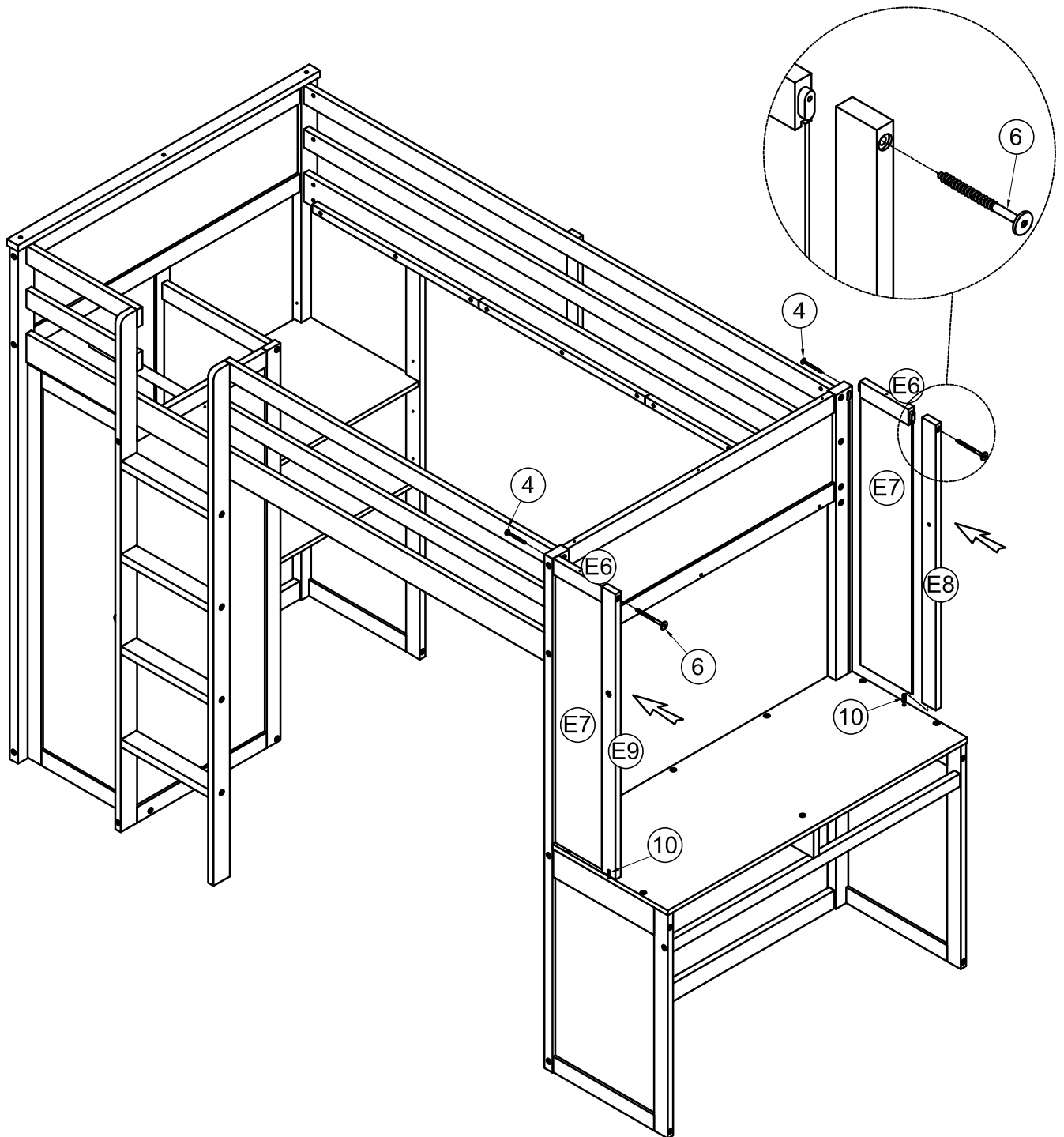
STEP14: Following below illustration.

10		3	
	1(pcs)		7(pcs)





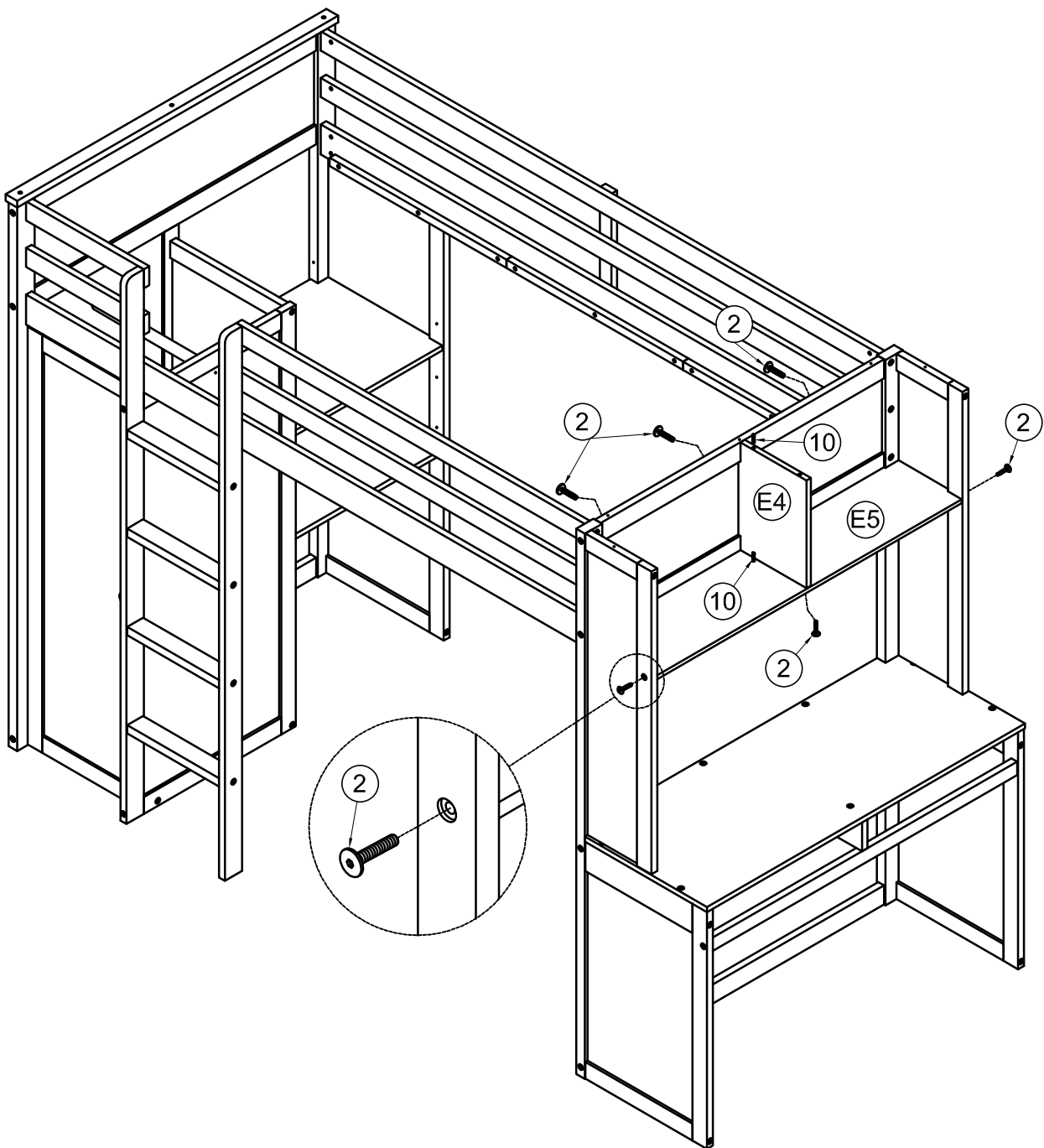
STEP15: Following below illustration.

10		4		6	
2(pcs)		2(pcs)		2(pcs)	

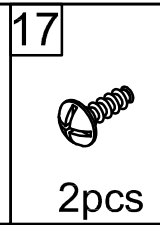
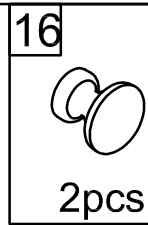
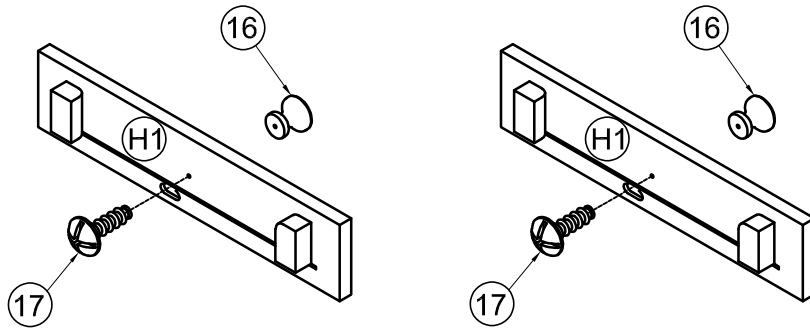


STEP16: Following below illustration.

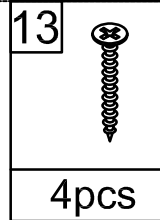
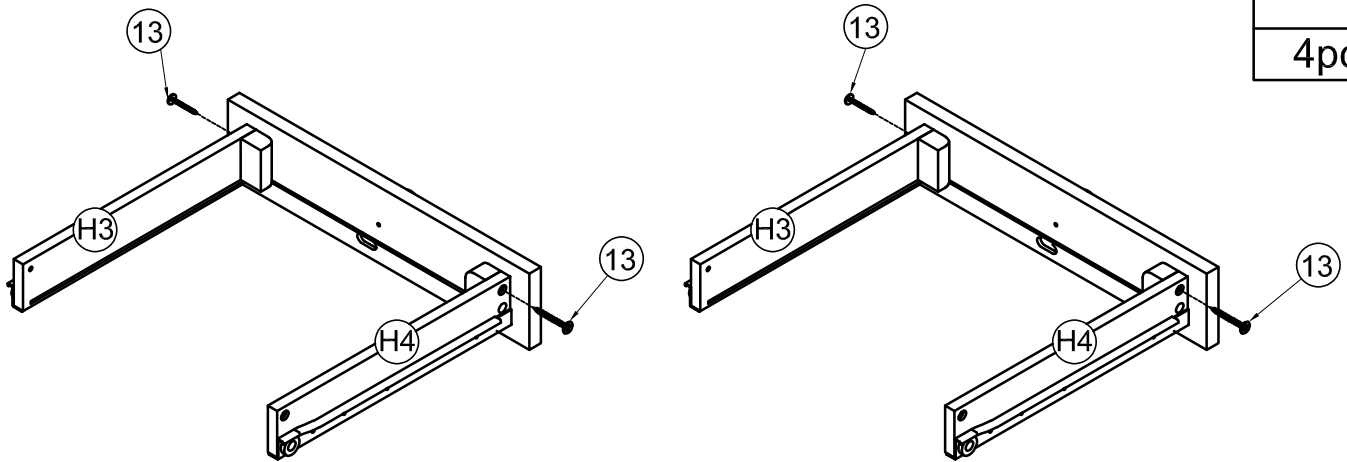
10		2	
2(pcs)		6(pcs)	



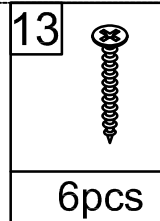
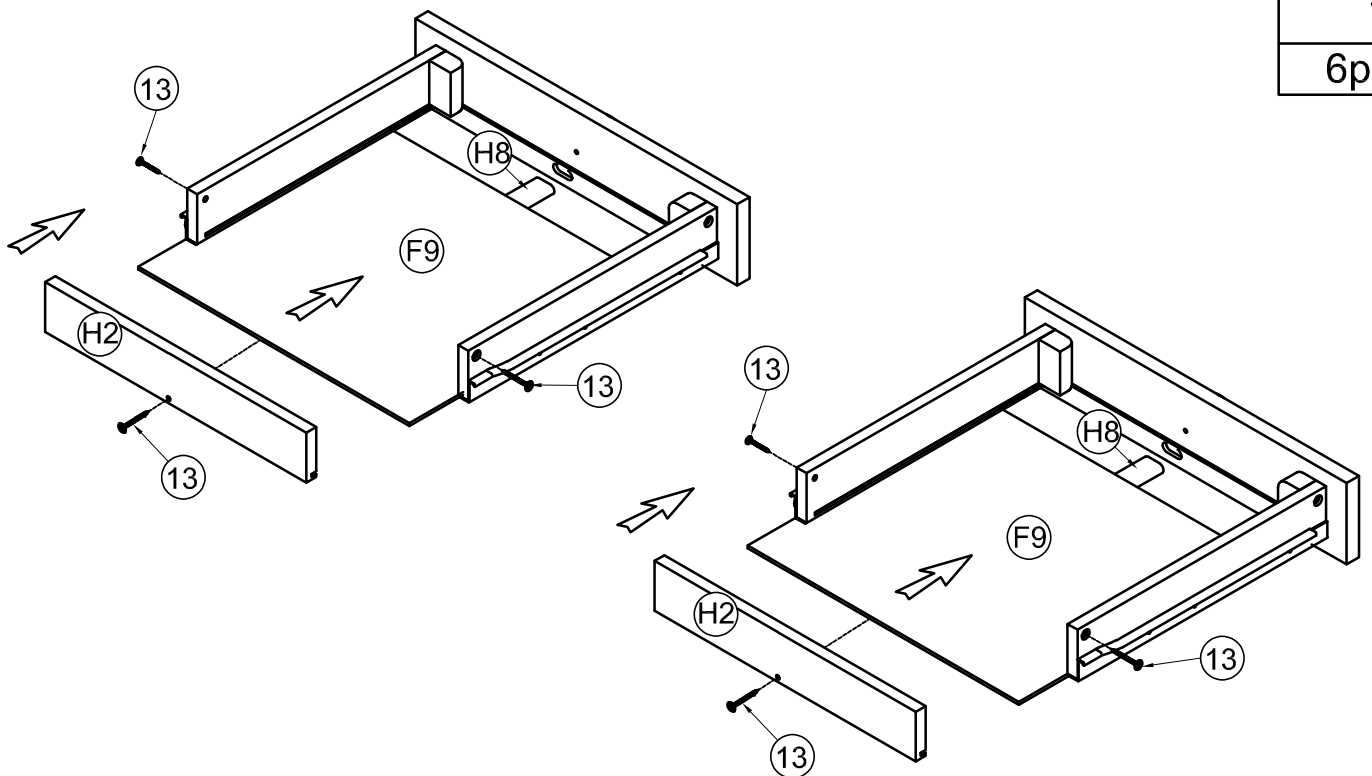
STEP17-1: Following below illustration.






STEP17-2: Following below illustration.

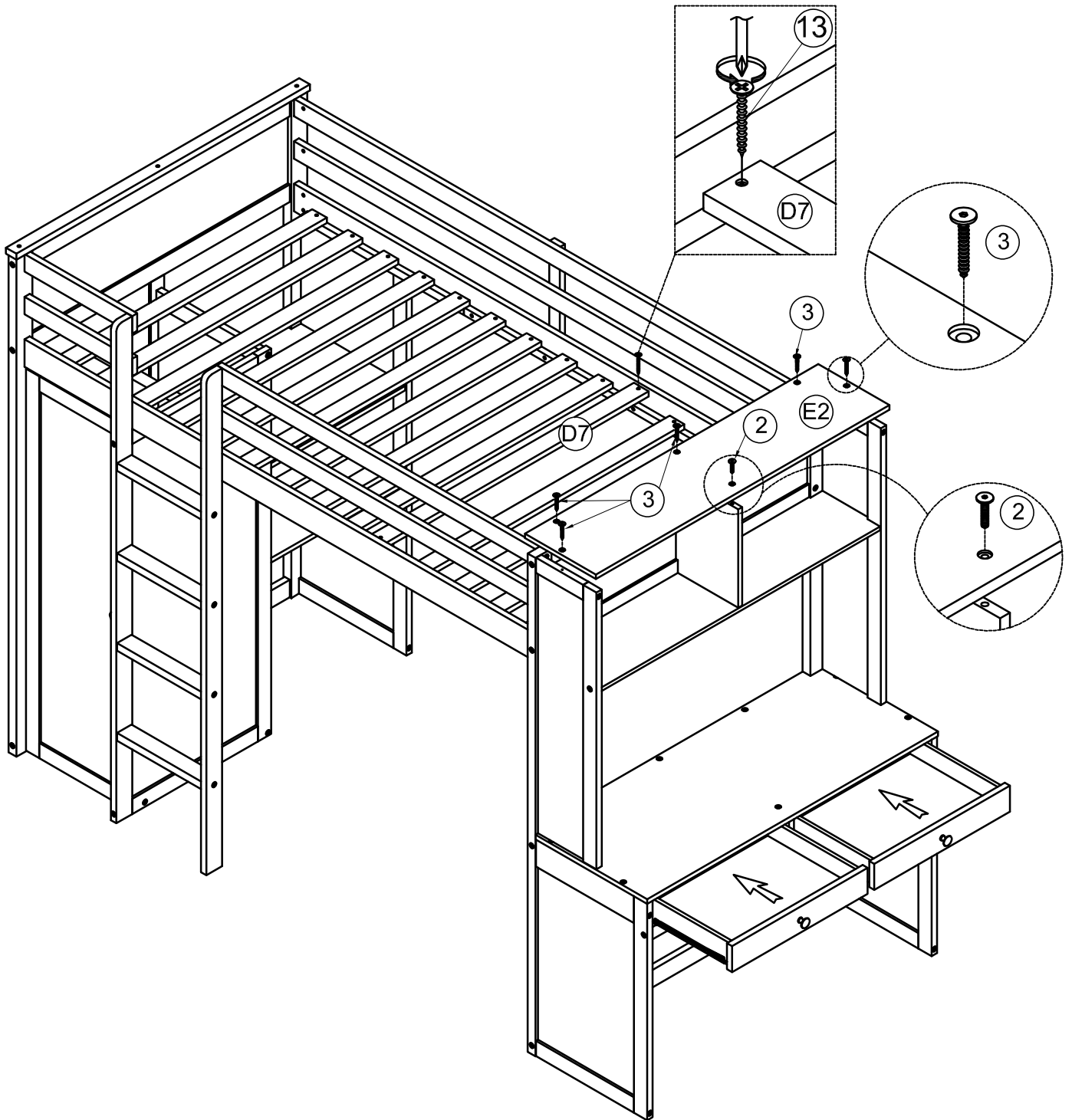


STEP17-3: Following below illustration.



STEP18: Following below illustration.

3	13	2
		
5(pcs)	28(pcs)	1(pcs)



STEP19: Following below illustration.

