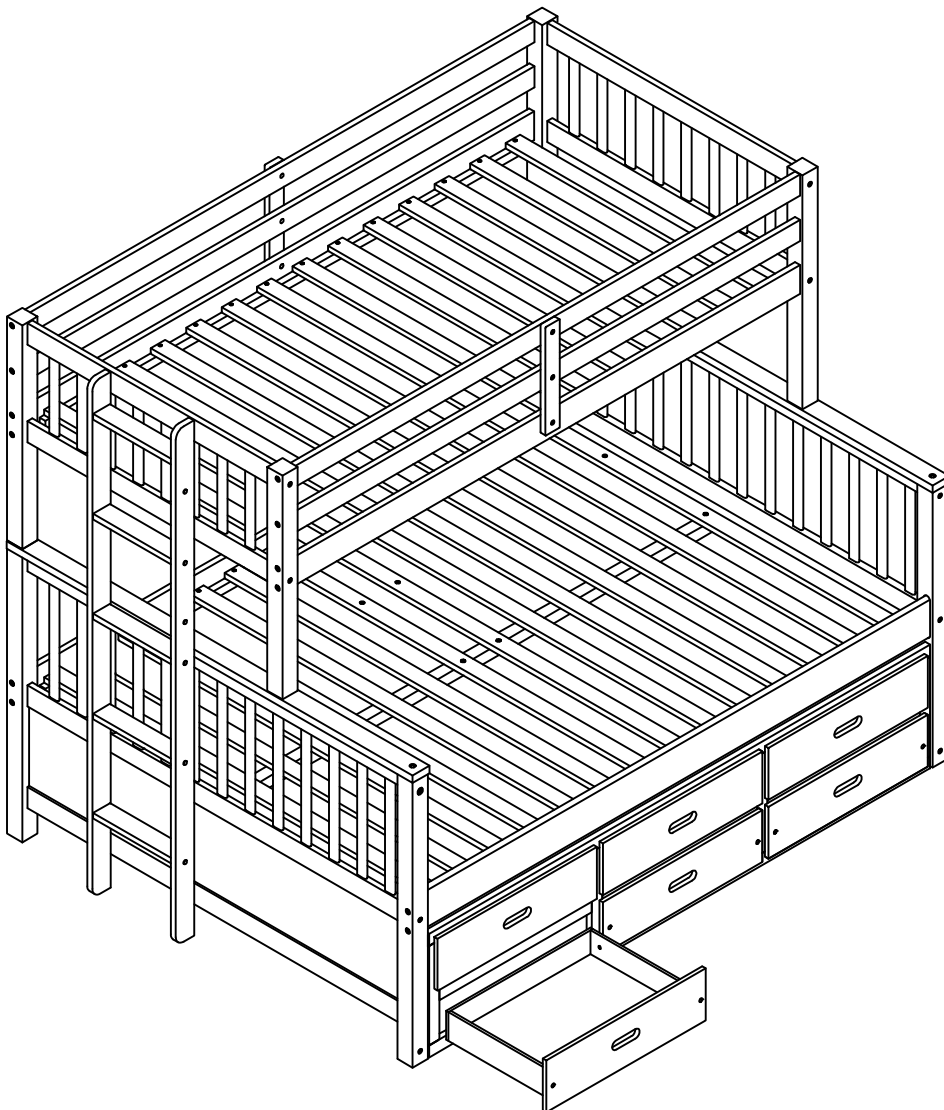


ASSEMBLY INSTRUCTIONS

TWIN/FULL BUNK BED WITH TRUNDLE AND DRAWER



WF294409/WF294410/WF294411



SAFETY WARNING



1. This bed is designed for use only mattress (es) meeting the following specifications on the upper bunk, and lower bunk:

Upper bunk (Bunk bed and tribed included)

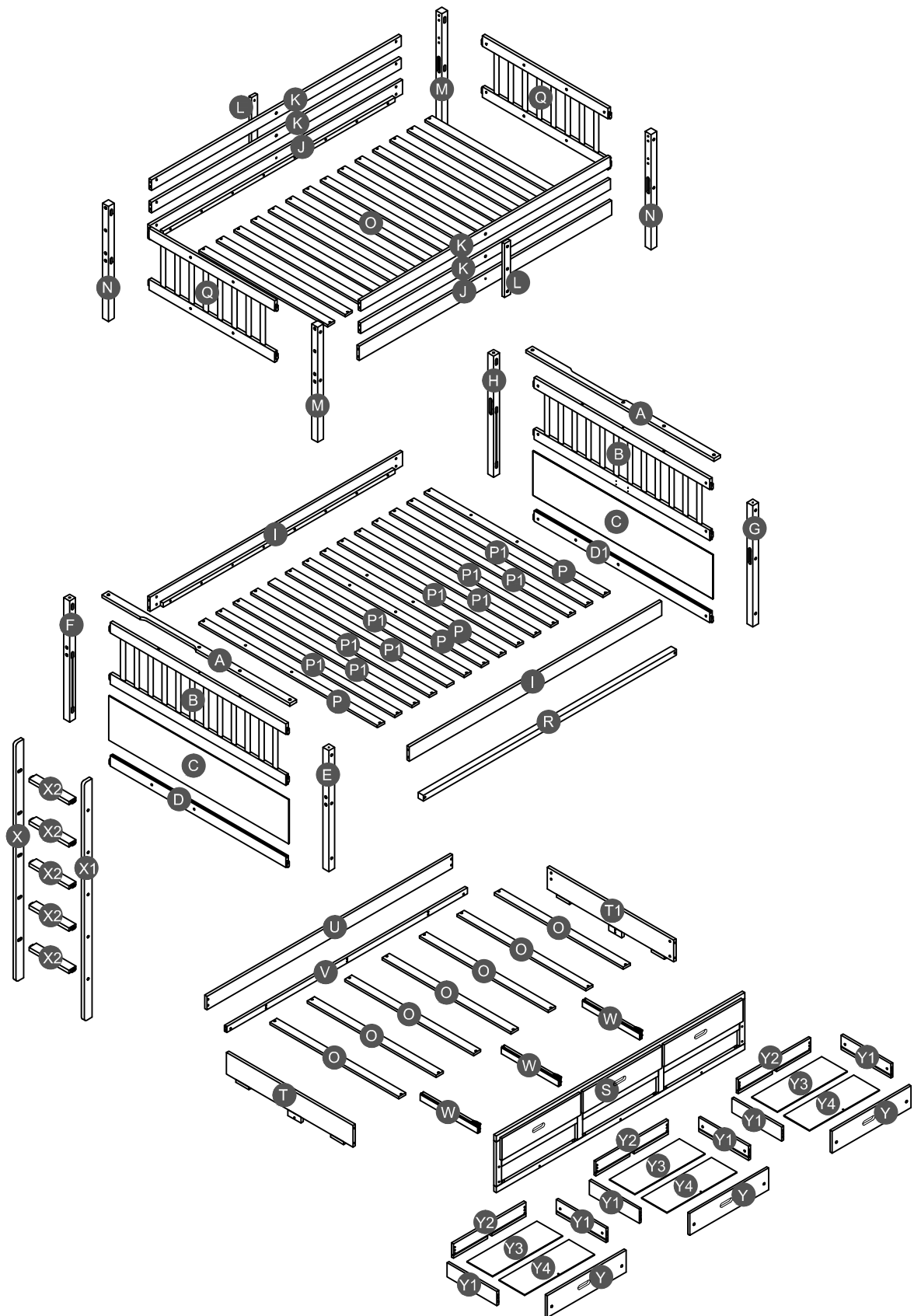
Bed type	Length	Width	Thickness
Twin Standard	74"-75"	38 1/2"	6" max

Lower bunk

Bed type	Length	Width	Thickness
Full Standard	74"-75"	54"	8"

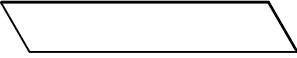
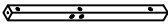







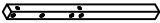


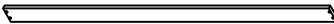
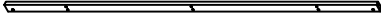
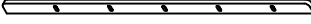
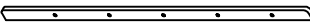
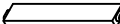
2. Replacement parts, including additional guardrails, maybe obtained from any of our (GIGACLOUD TECHNOLOGY (USA) INC . 18961 ARENTH AVENUE, CITY OF INDUSTRY , CA, 91748.) dealers
3. Follow the information on the warnings appearing on the upper bunk bed end structure and on the carton. Do not remove warning label from bed.
4. Always use the recommended size mattresses or mattress supports, or both, to help prevent the likelihood of entrapment or falls.
5. Surface of mattress must be at least 5" (127mm) below the upper edge of guardrails.
6. Do not allow children under 6 years of age to use the upper bunk.
7. Periodically check and ensure that the guardrail, ladder, and other components are in their proper position, free from damage, and that all connectors are tight.
8. Do not allow horseplay on or under the bed and prohibit jumping on the bed.
9. Always use the ladder for entering and leaving the upper bunk.
10. Do not use substitute part. Contact the manufacture or dealer for replacement part.
11. Use of a night light may provide added safety precaution for a child using the upper bunk.
12. Always use guardrails on both long sides of the upper bunk. If the bunk bed will be placed next to the wall, the guardrail that runs the full length of the bed should be placed against the wall to prevent entrapment between the bed and wall.
13. The use of water or sleep flotation mattresses is prohibited.
14. STRANGULATION HAZARD - Never attach or hang items to any part of the bunk bed that are not designed for use with the bed; for example, but not limited to, hook, belts and jump ropes.
15. Keep these instruction for future reference.
16. Prohibit more than one person on upper bunk
17. We recommend assembling your bunk bed on the shipping carton to protect your floor or carpet.
18. Be certain all staples are out of the box before beginning assembly on the shipping carton.

Detail View




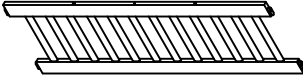




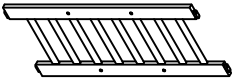



Part List

WF294409


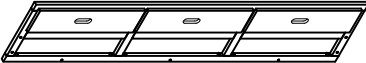
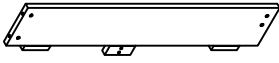
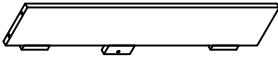

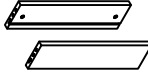

<p>C</p>  <p>Side panel - 2pcs</p>	<p>E</p>  <p>Leg (Left Front) - 1pc</p>	<p>F</p>  <p>Leg (Left Back) - 1pc</p>
<p>G</p>  <p>Leg (Right Front) - 1pc</p>	<p>H</p>  <p>Leg (Right Back) - 1pc</p>	<p>I</p>  <p>Lower side rail (front-back) - 2pcs</p>
<p>J</p>  <p>Upper side rail (front-back) - 2pcs</p>	<p>K</p>  <p>Long guard rail - 4pcs</p>	<p>L</p>  <p>Vertical guard rail - 2pcs</p>
<p>M</p>  <p>Leg (Left Front/Right Back) - 2pcs</p>	<p>N</p>  <p>Leg (Left Back/Right Front) - 2pcs</p>	<p>R</p>  <p>Lower support slat - 1pc</p>
<p>U</p>  <p>Back panel side rail of trundle -1pc</p>	<p>V</p>  <p>Support rail of trundle -1pc</p>	<p>X</p>  <p>Long ladder (left) - 1pc</p>
<p>X1</p>  <p>Long ladder (right) - 1pc</p>	<p>X2</p>  <p>Step ladder - 5pcs</p>	

Part List

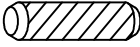
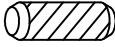

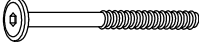
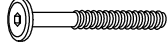









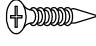
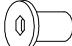
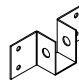


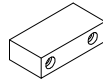
Hardware List WF294410

<p>A</p>  <p>Cap for lower HB/FB - 2pcs</p>	<p>B</p>  <p>Lower frame HB/FB - 2pcs</p>	<p>D</p>  <p>Lower horizontal bar HB - 1pc</p>
<p>D1</p>  <p>Lower horizontal bar FB - 1pc</p>	<p>P</p>  <p>Slat - 4pcs</p>	<p>P1</p>  <p>Slat - 10pcs</p>
<p>Q</p>  <p>Upper frame HB/FB - 2pcs</p>	<p>W</p>  <p>Support drawer - 3pcs</p>	<p>Y3</p>  <p>Drawer bottom - 3pcs</p>
<p>Y4</p>  <p>Drawer bottom - 3pcs</p>		

WF294411

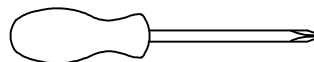
<p>O</p>  <p>Slat - 21pcs</p>	<p>S</p>  <p>Front panel of trundle - 1pc</p>	<p>T</p>  <p>Left side panel of trundle - 1pc</p>
<p>T1</p>  <p>Right side panel of trundle - 1pc</p>	<p>Y</p>  <p>Front drawer panel - 3pcs</p>	<p>Y1</p>  <p>Left / right drawer panel - 6pcs</p>
<p>Y2</p>  <p>Back drawer panel - 3pcs</p>		

Hardware List WF294410

1  Ø10*40mm Wood dowel (8pcs)	2  Ø8*30mm Wood dowel (26pcs)	3  (Ø15)1/4"*100mm Hex-Head bolts (24pcs)
4  (Ø15)1/4"*80mm Hex-Head bolts (20pcs)	5  (Ø12)1/4"*60mm Hex-Head bolts (38pcs)	6  (Ø12)1/4"*40mm Hex-Head bolts (8pcs)
7  (Ø12)1/4"*30mm Hex-Head bolts (6pcs)	8  1/4"*15 (9.5mm) Horizontal-Hole bolts(82pcs)	9  Ø4*30mm Wood screws (78pcs)
10  (1/4")4.5*58mm Allen key (2pcs)	11  (Ø12)1/4"*40mm Hex-Head bolts (4pcs)	12  Ø3.5*15mm Wood screws (8pcs)
13  400*30mm Upper slider drawer (3pcs)	14  Ø3.5*12mm Wood screws (9pcs)	15  Ø3.5*19mm Wood screws (8pcs)
16  (Ø13)1/4"*14mm Connect bolt (2pcs)	17  116*40*27mm Metal bracket (2pcs)	18  Ø9*90mm Metal connector (4pcs)
19  45*20*35mm Caster (4pcs)	20  70*35*19mm Block-2pcs	

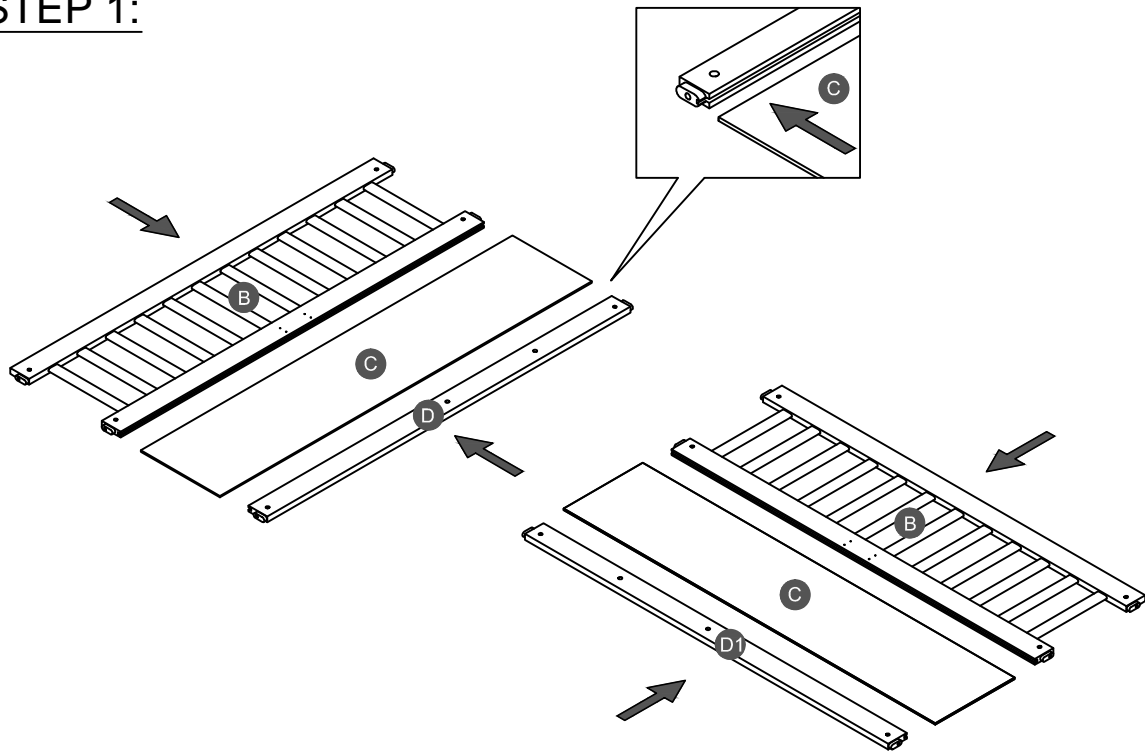


ASSEMBLY TOOLS REQUIRED (NOT INCLUDED)





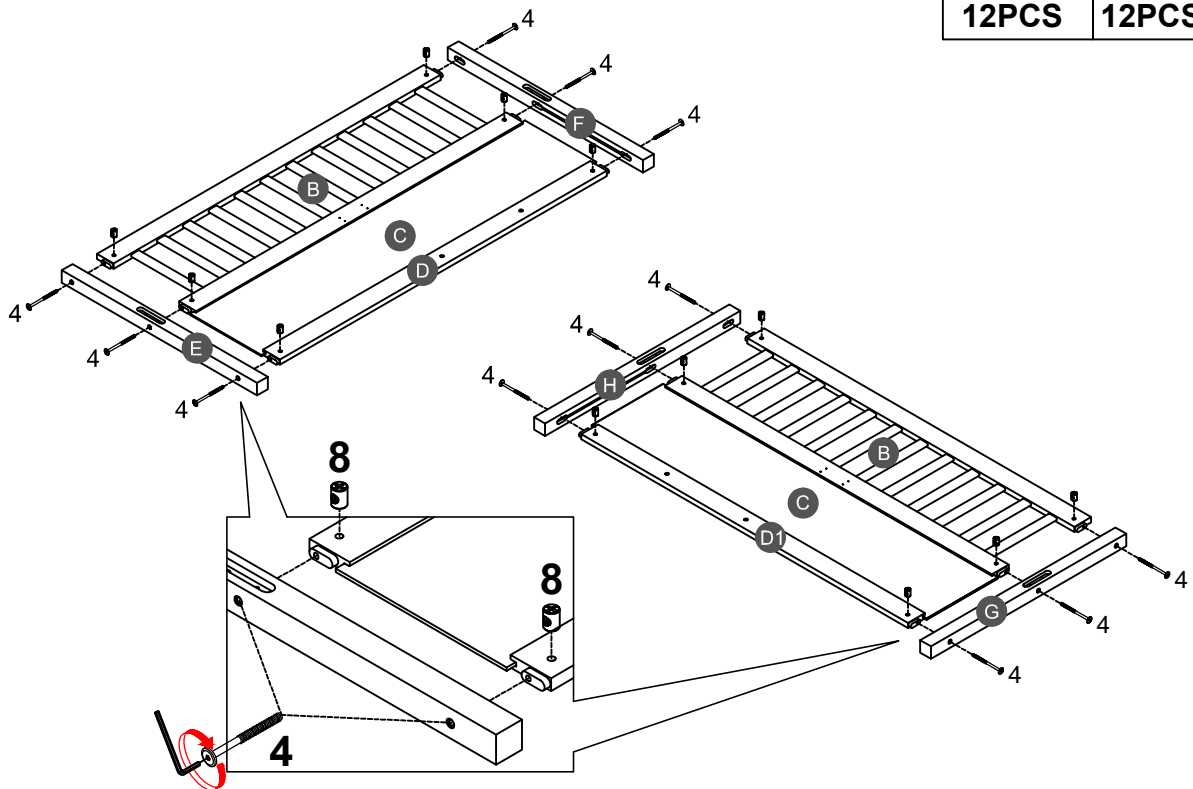
PLEASE BE CAREFUL DO NOT DAMAGE THE HOLE POSITION WHEN YOU USE POWER TOOLS !

STEP 1:


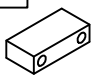


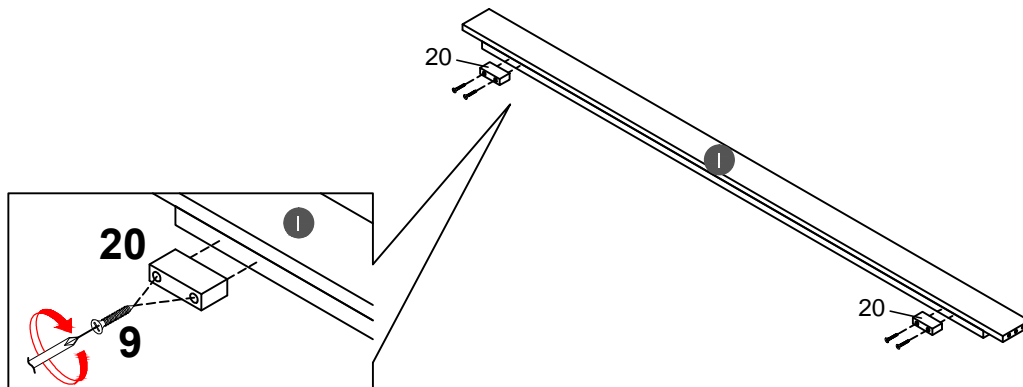
STEP 2:

4		8	
12PCS		12PCS	





STEP 5:

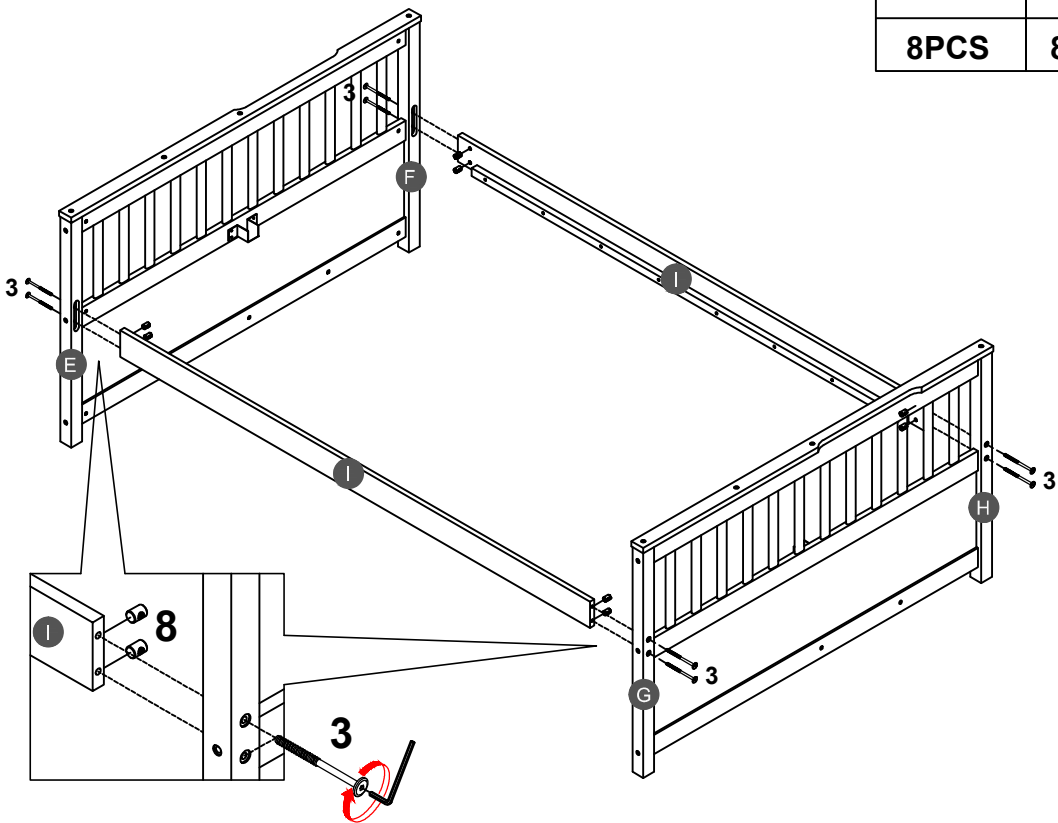
9		20	
4PCS		2PCS	



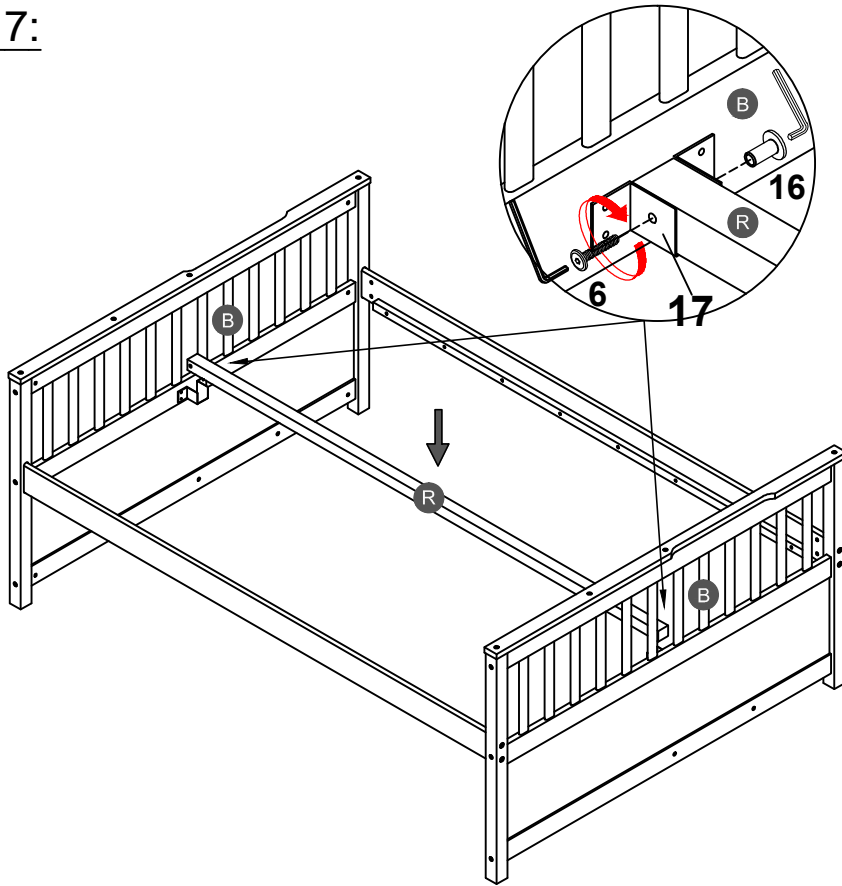
Drawer stopper (20) with lower side rail front (1) by using screw (9).

STEP 6:

3		8	
8PCS		8PCS	

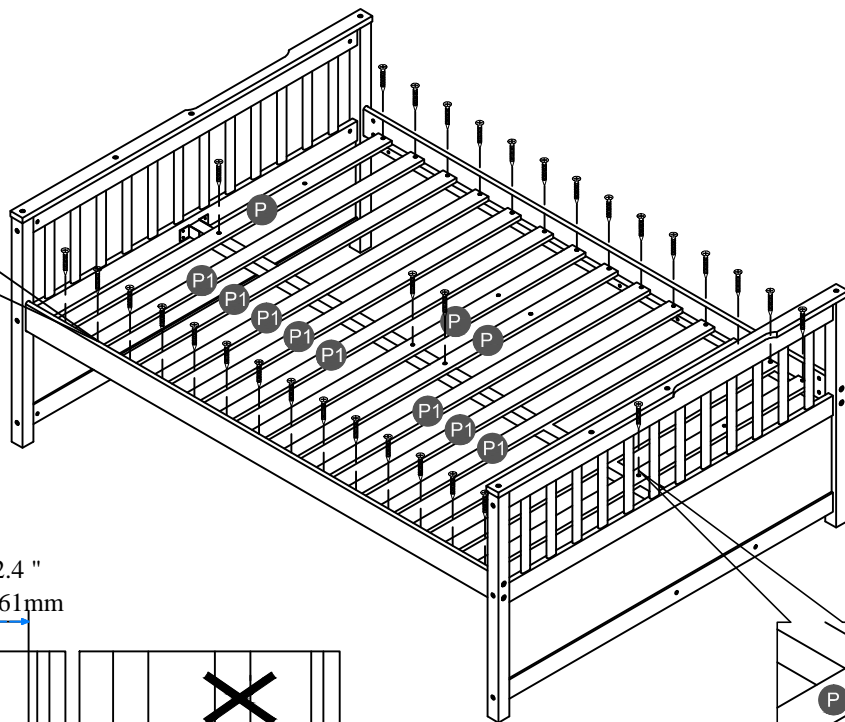
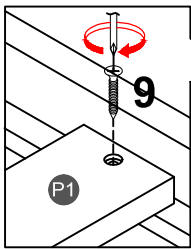


STEP 7:



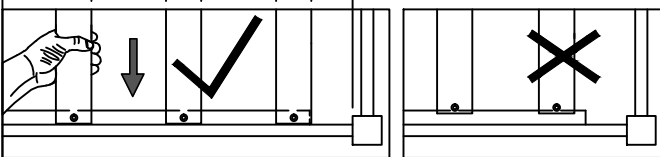
6		16	
	2PCS		2PCS

STEP 8:





9	
	32PCS

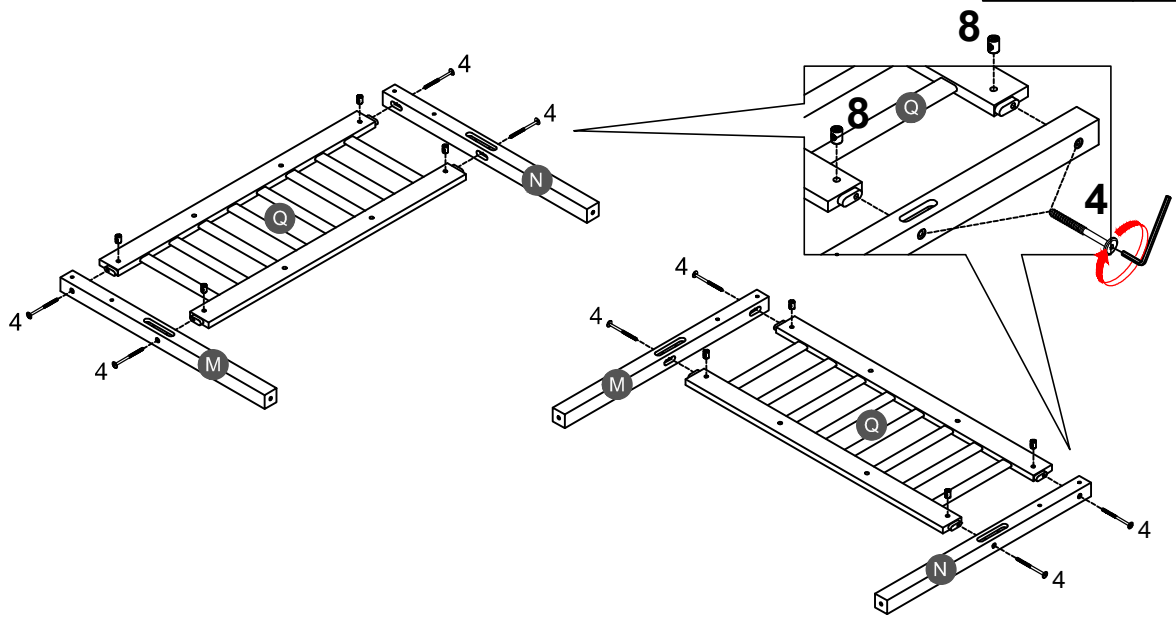
3.1" 3.3" 2.4"
79mm 84.5mm 61mm






Note: Do not lock the screws of the bed slats to the outermost edge of the bed slats, you need to leave a certain space at the edges, otherwise it will cause the board to break. Do not lock the bed slats on the edge of the wood, please hold firmly before screwing, hold it in place with one hand, then lock the screw.

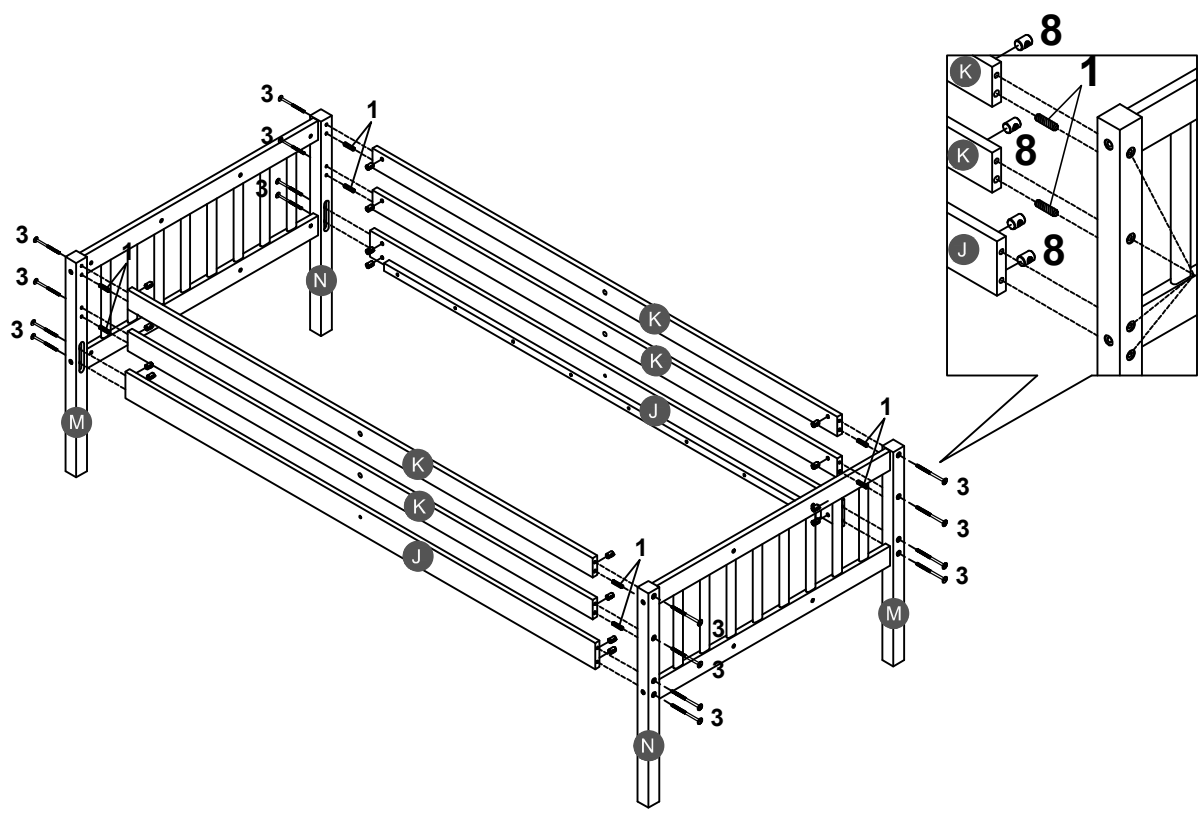
STEP 9:

4		8	
8PCS		8PCS	



STEP 10:

1		3		8	
8PCS		16PCS		16PCS	

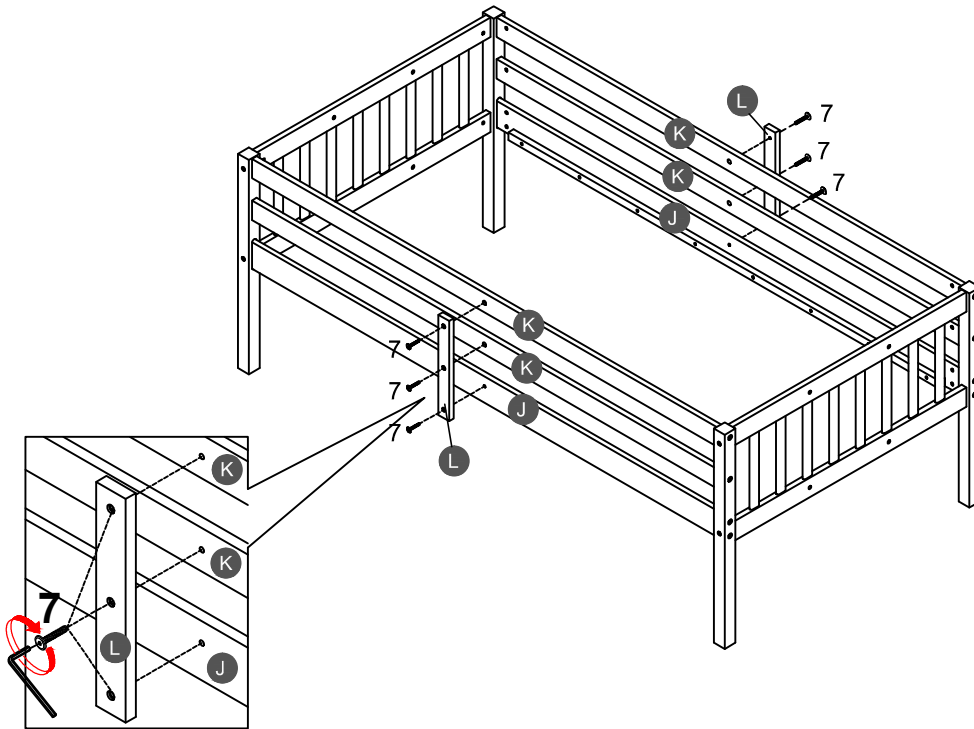


STEP 11:

7



6PCS

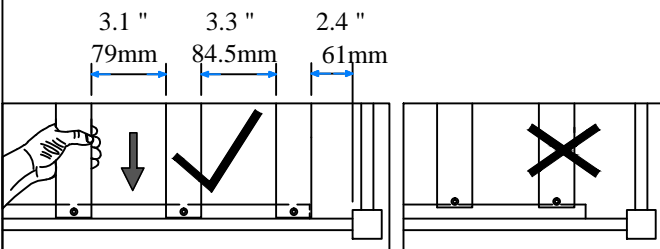
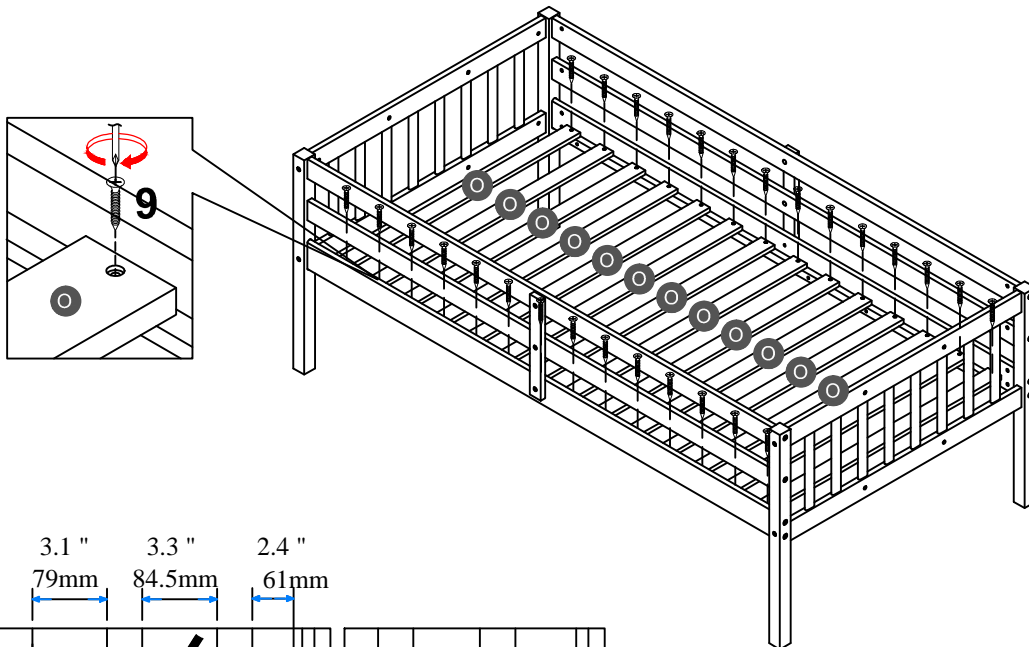


STEP 12:

9

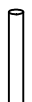


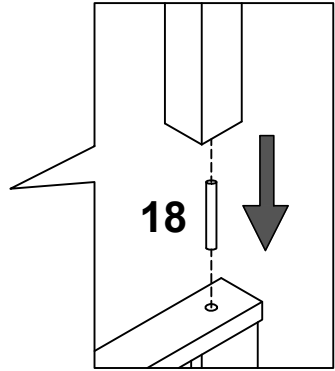
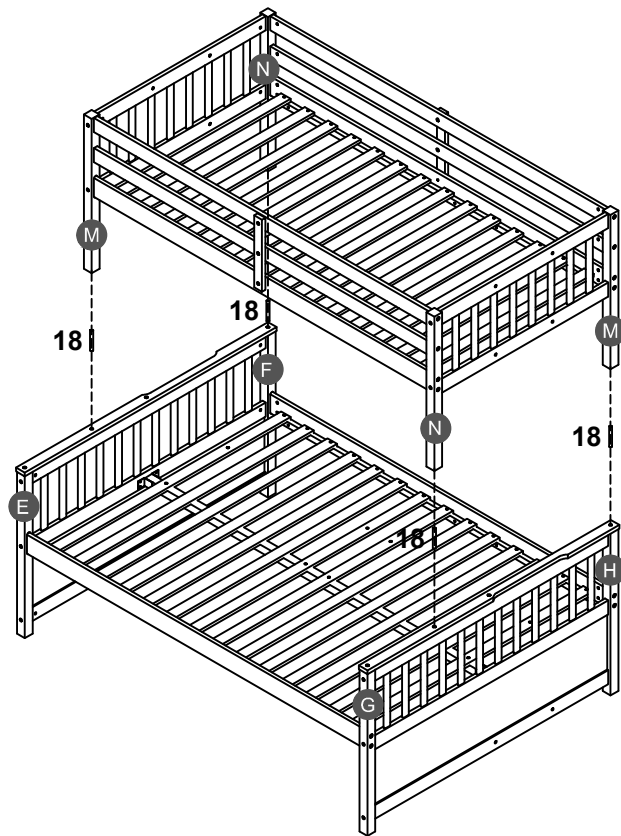
28PCS





Note: Do not lock the screws of the bed slats to the outermost edge of the bed slats, you need to leave a certain space at the edges, otherwise it will cause the board to break. Do not lock the bed slats on the edge of the wood, please hold firmly before screwing, hold it in place with one hand, then lock the screw.

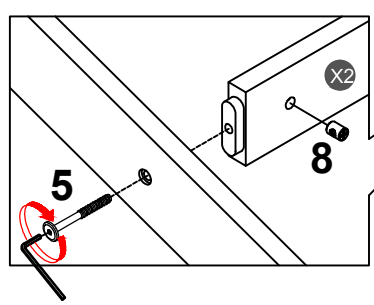
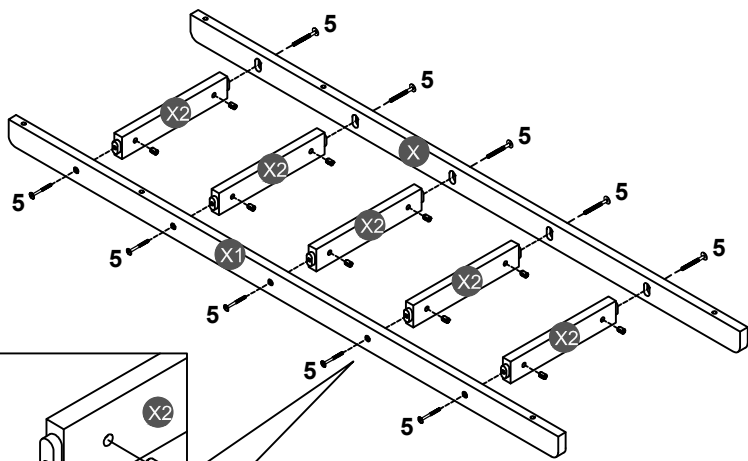
STEP 13:

18	
4PCS	



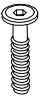
STEP 14:

5		8	
10PCS		10PCS	

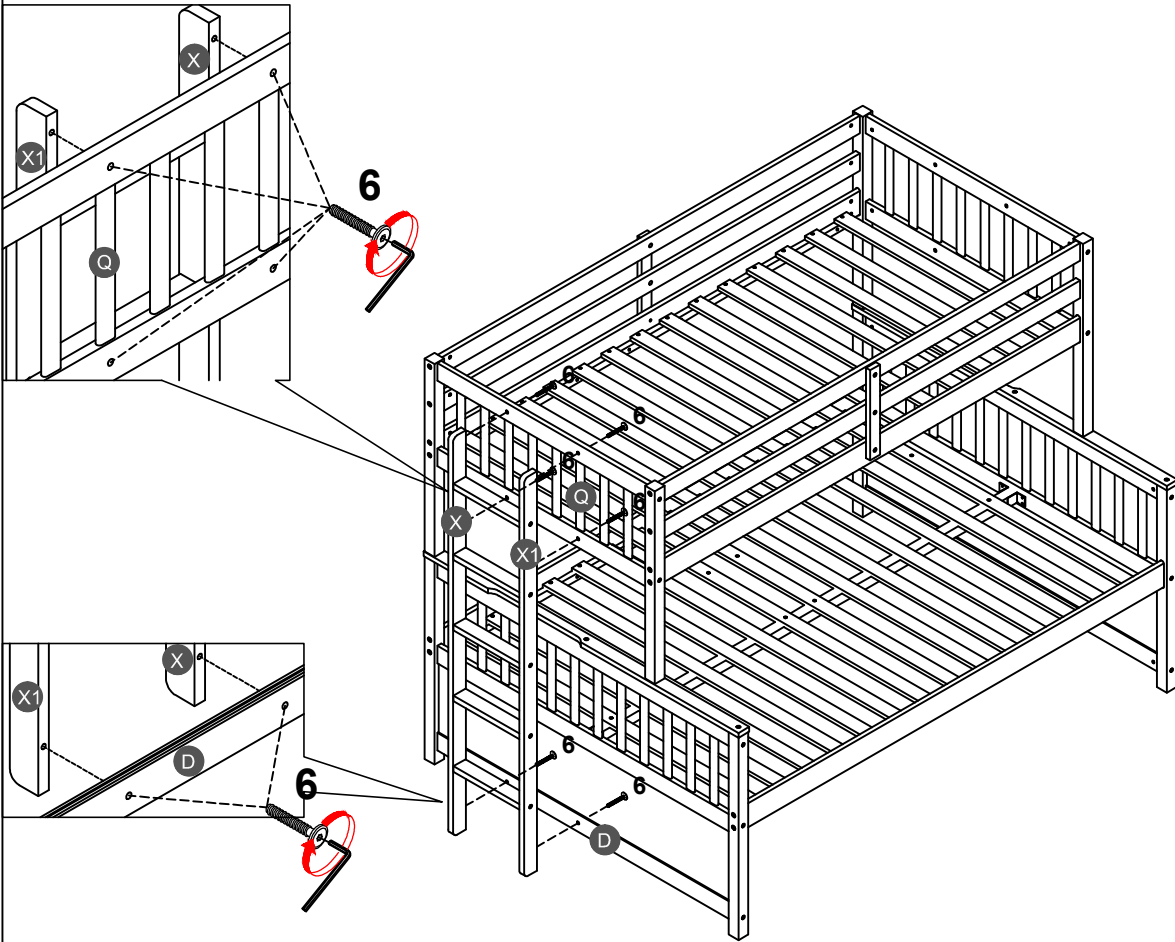


STEP 15:

6



6PCS



STEP 16:

15

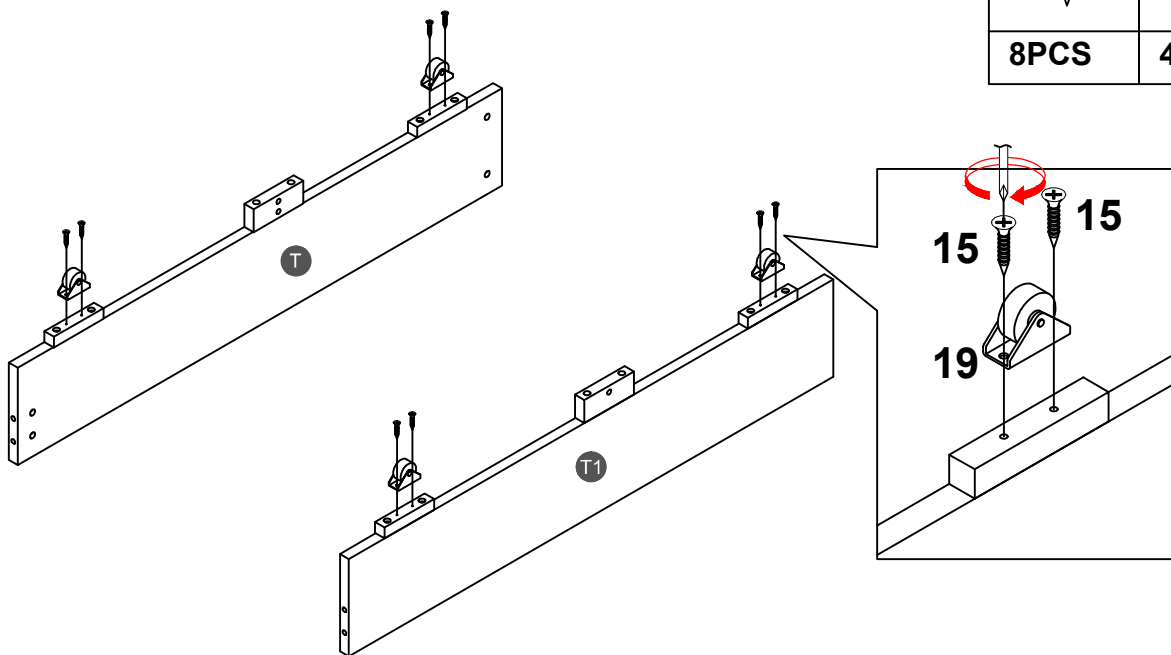


8PCS




19

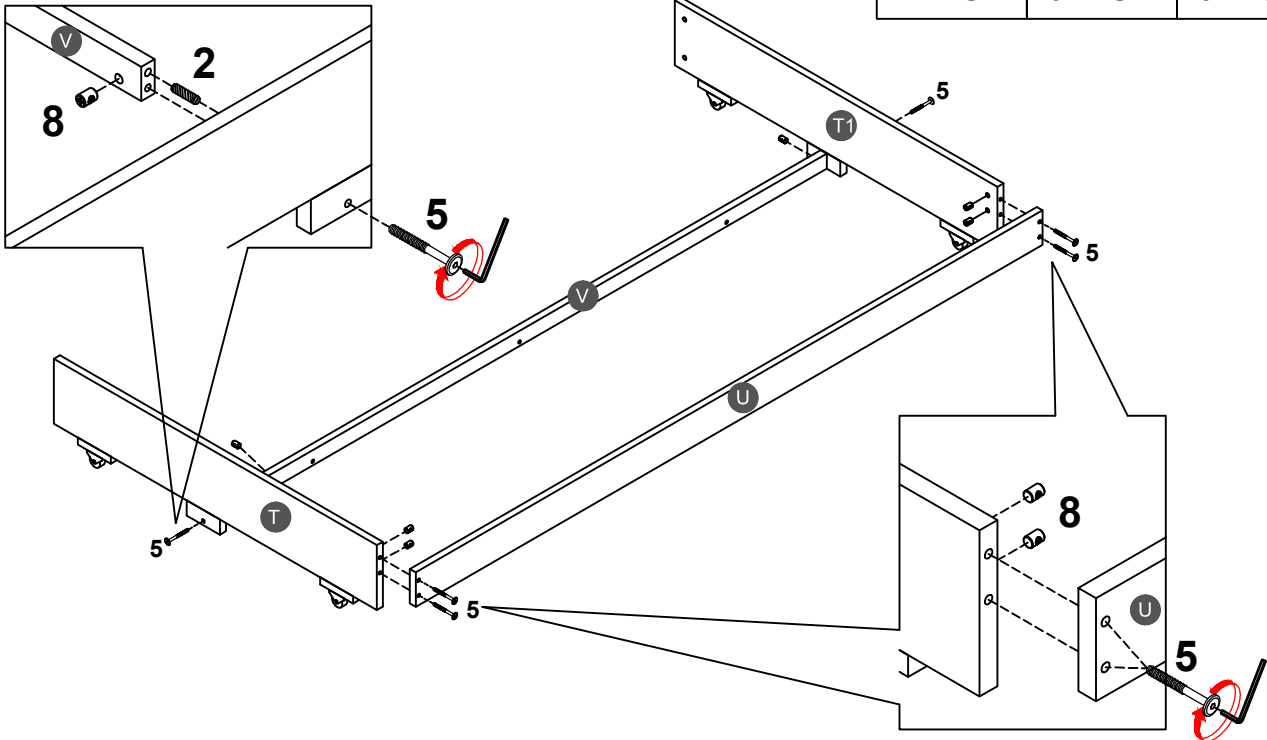


4PCS





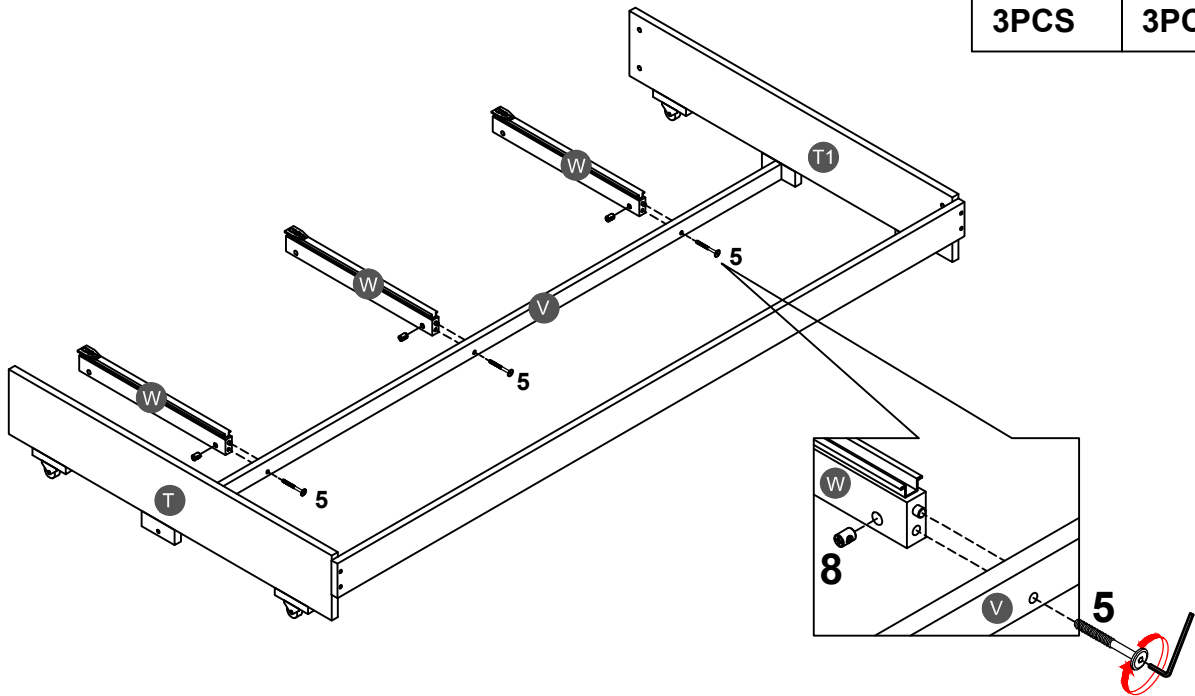
STEP 17:

2		5		8	
2PCS		6PCS		6PCS	

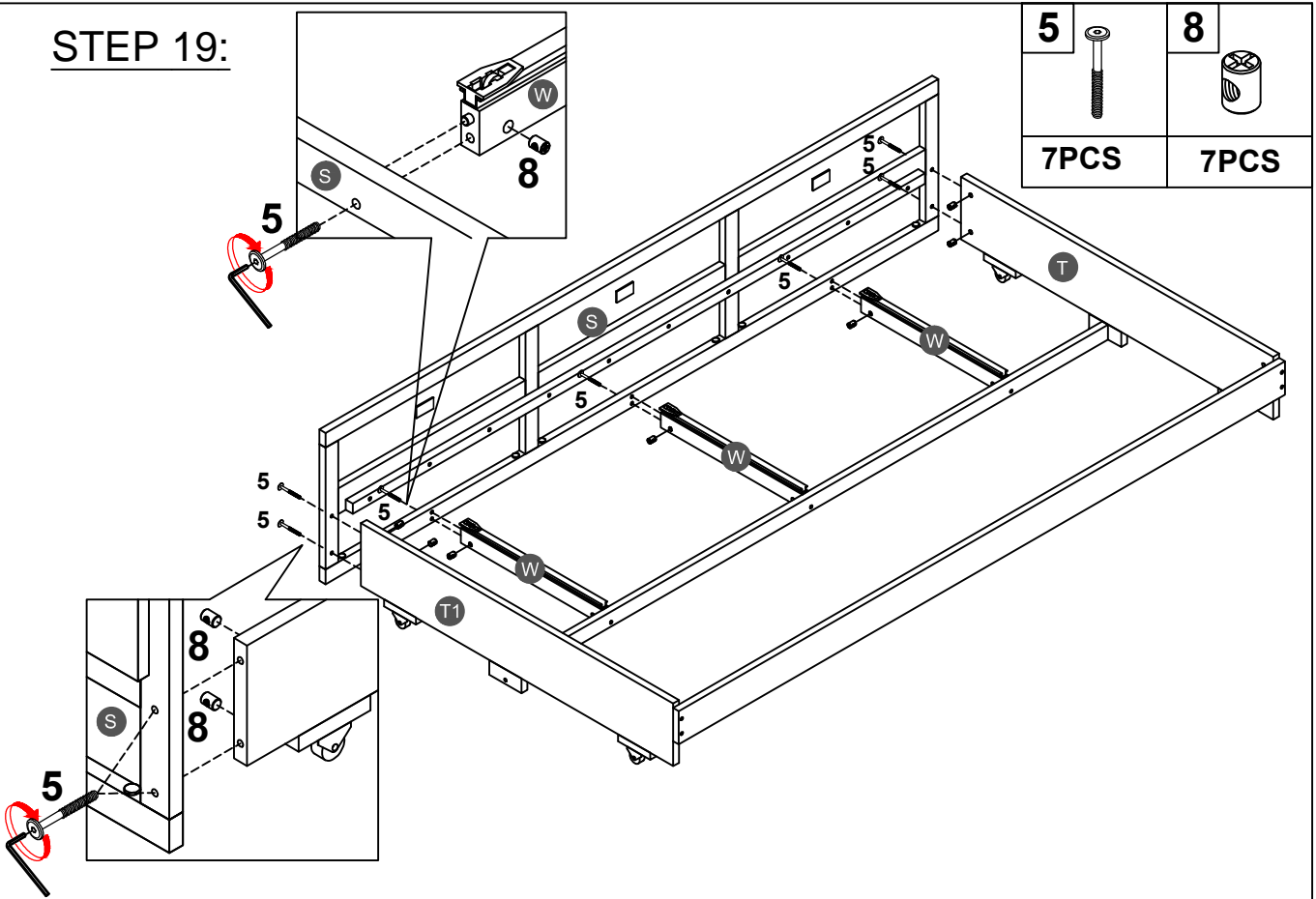


STEP 18:

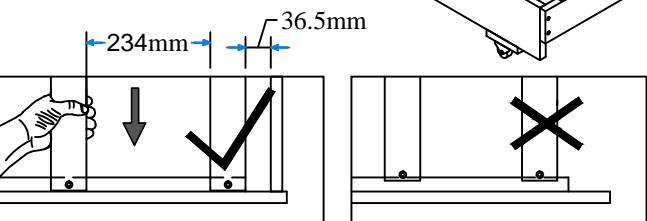
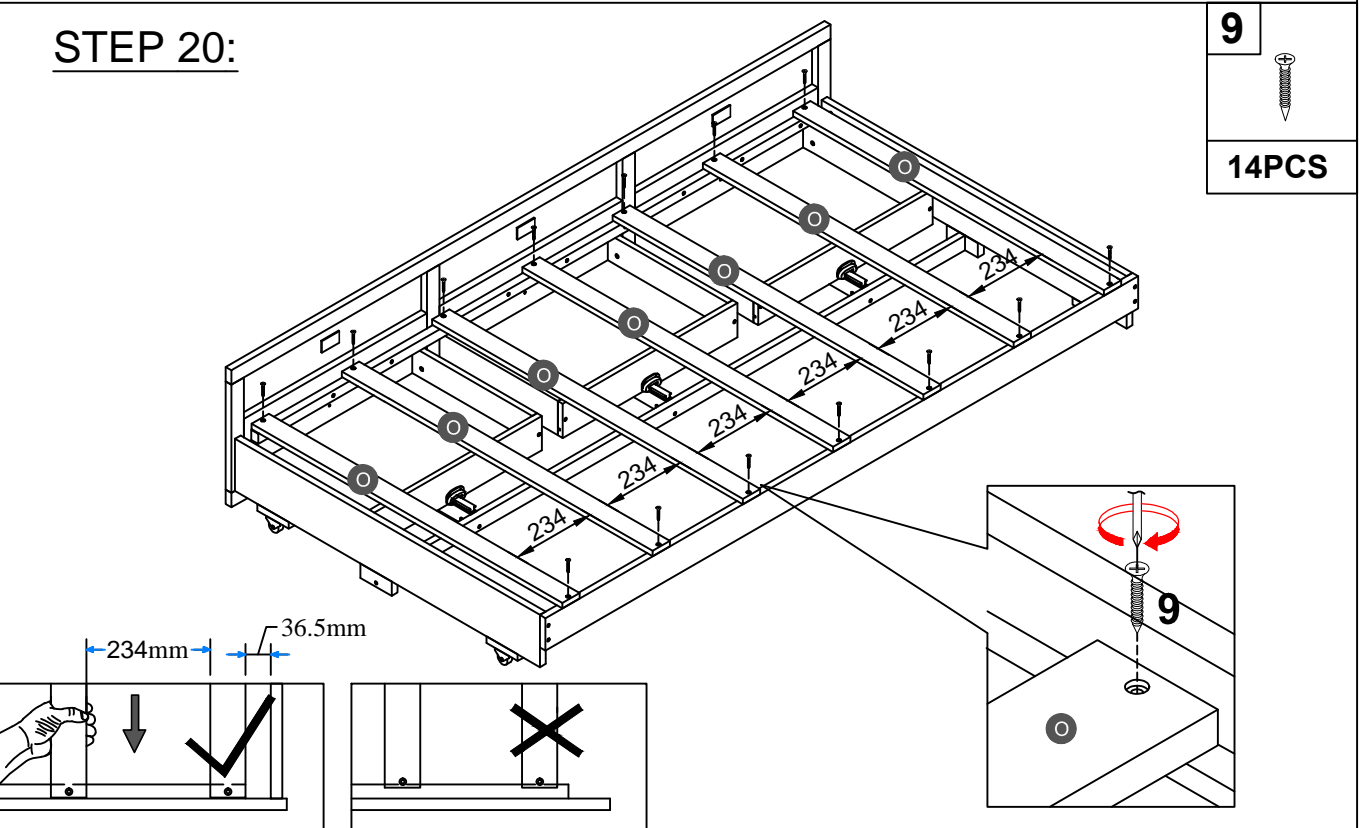
5		8	
3PCS		3PCS	



STEP 19:

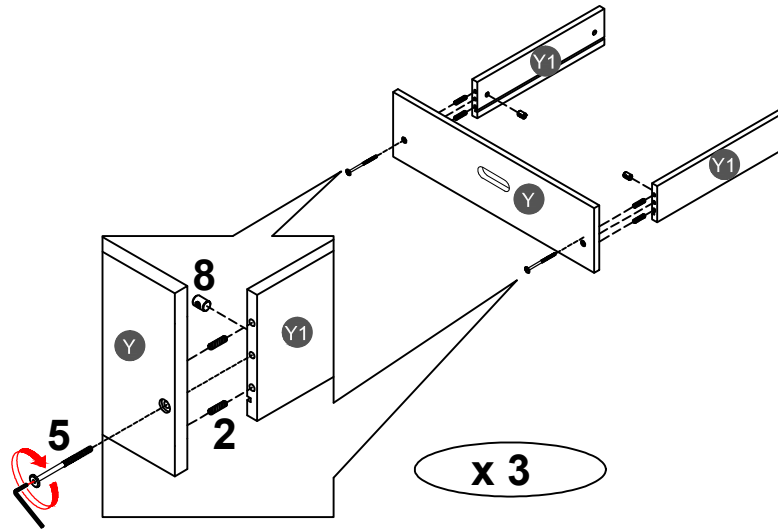





STEP 20:



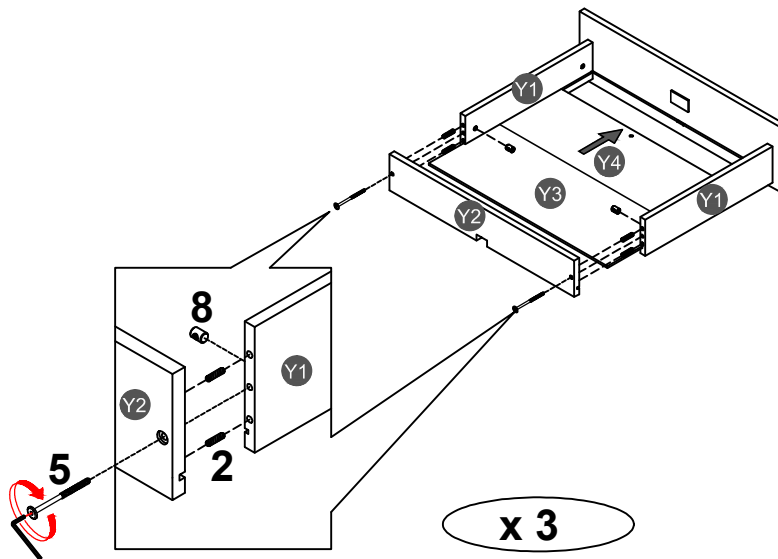
Note: Do not lock the screws of the bed slats to the outermost edge of the bed slats, you need to leave a certain space at the edges, otherwise it will cause the board to break. Do not lock the bed slats on the edge of the wood, please hold firmly before screwing, hold it in place with one hand, then lock the screw.




STEP 21:





2		8	
12PCS		6PCS	
		5	
		6PCS	

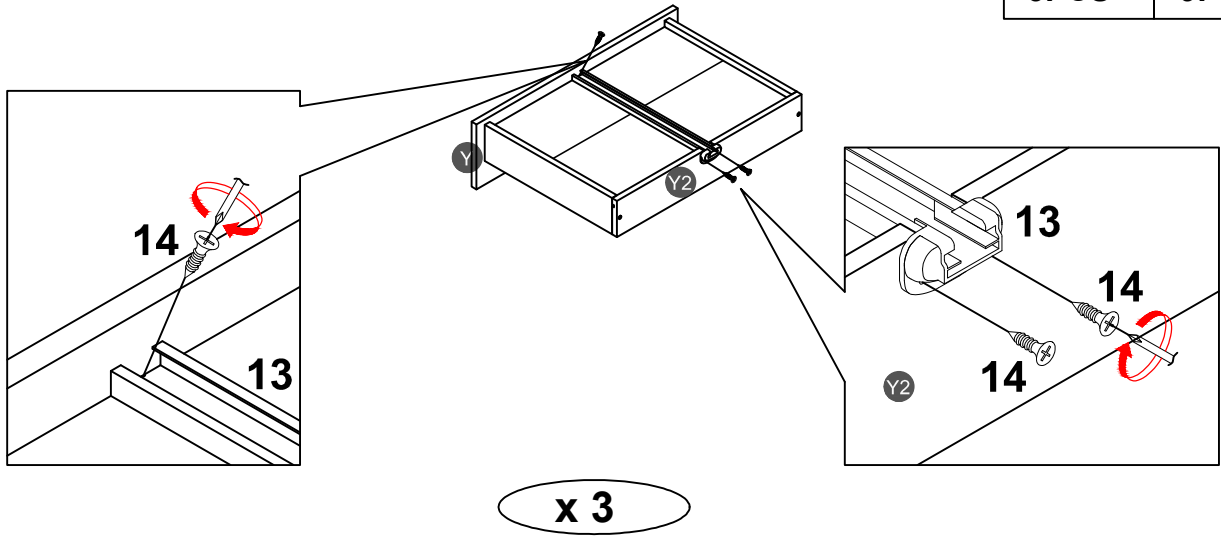
STEP 22:



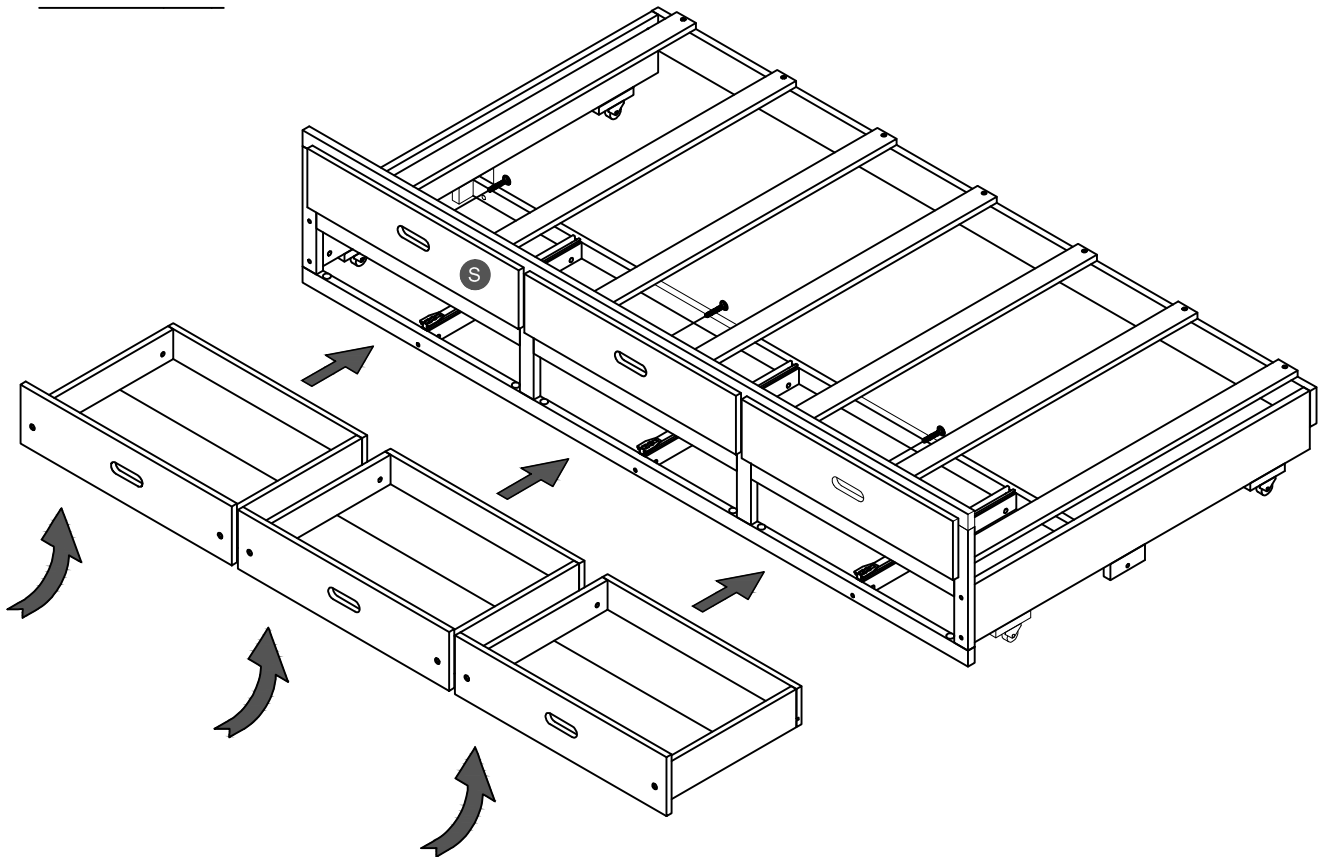
2		8	
12PCS		6PCS	
		5	
		6PCS	

STEP 23:

13	14
	
3PCS	9PCS

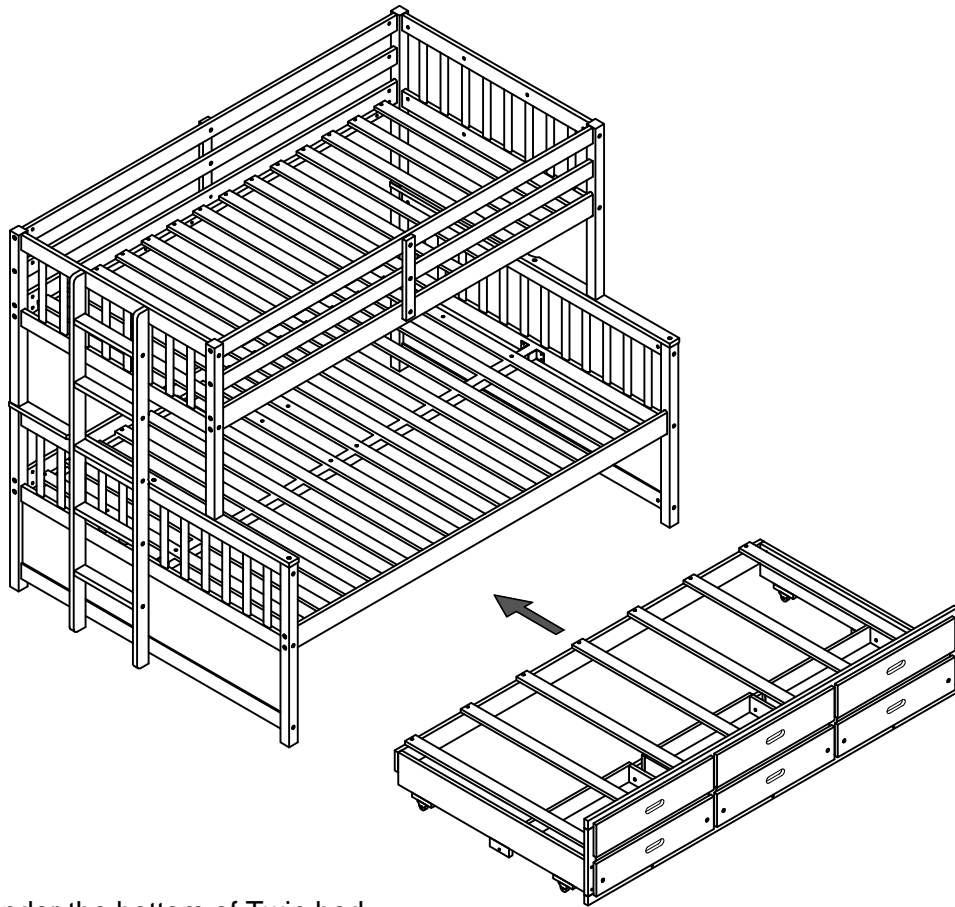


STEP 24:



Remark: When opening or closing the drawer, Please lift the drawer slightly before opening or closing it.

STEP 25:



Push Trundle under the bottom of Twin bed.

