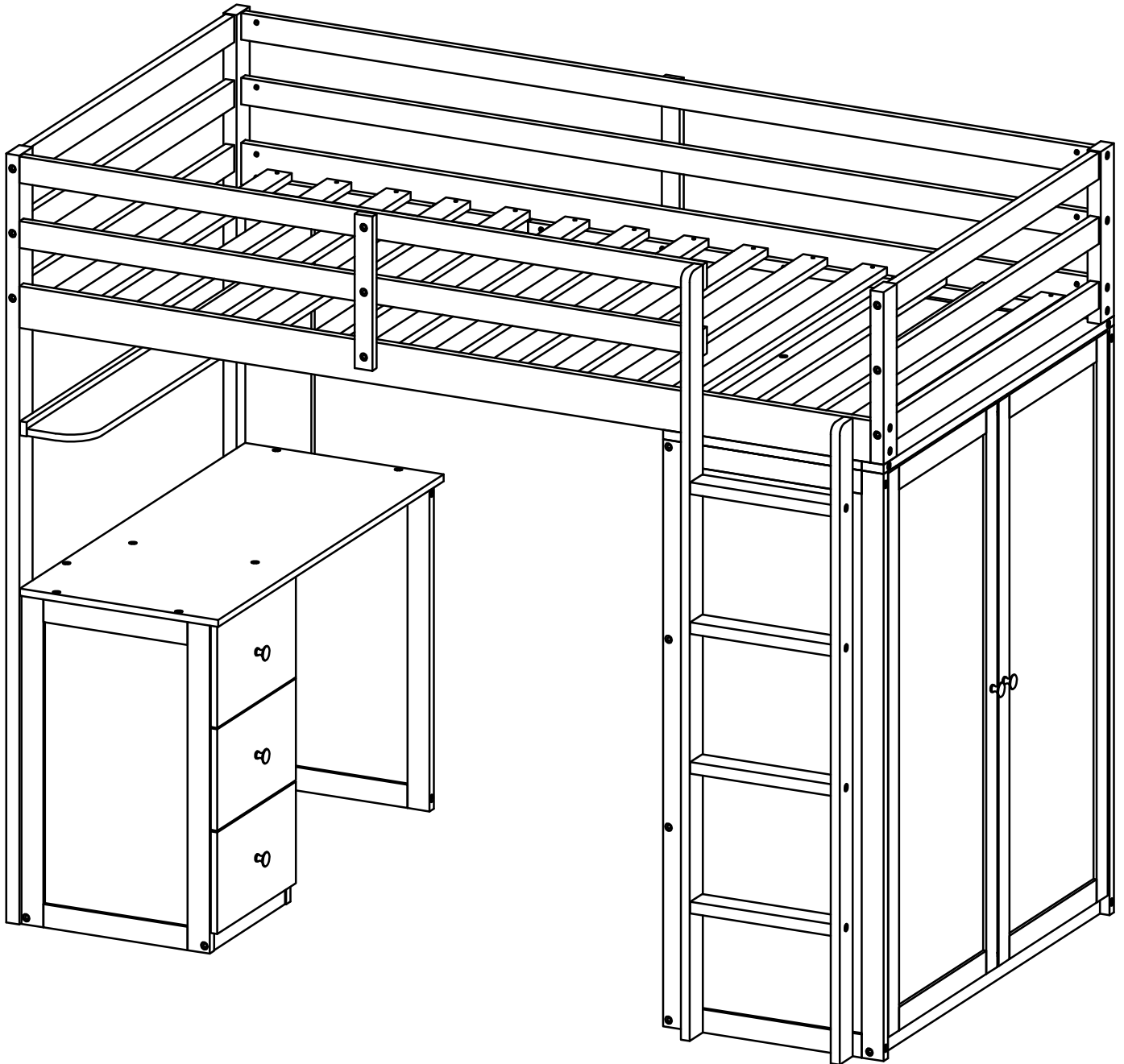


# ASSEMBLY INSTRUCTION

SKU CODE: (WF294613-WF294614)

This set included 2 boxex if do not receive full 2 boxex .Please contact our customer service team



# **! SAFETY WARNINGS !**

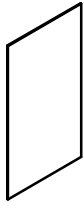
1. This bed is designed for use only mattress (es) meeting the following specifications on the upper bunk, and lower bunk

<b>Upper bed Bed Type</b>	<b>Length</b>	<b>Width</b>	<b>Thickness</b>
<i>Twin Standard</i>	<i>74" - 75"</i>	<i>38 1/2"</i>	<i>6" max</i>

2. Replacement parts, including additional guardrails, maybe obtained from any of our (GIGACLOUD TECHNOLOGY (USA) INC. 18961 ARENTH AVENUE CITY OF INDUSTRY, CA, 91748) dealers
3. Follow the information on the warnings appearing on the upper bunk bed end structure and on the carton. Do not remove warning label from bed
4. Always use the recommended size mattresses or mattress supports, or both, to help prevent the likelihood of entrapment or falls.
5. Surface of mattress must be at least 5" (127mm) below the upper edge of guardrails
6. Do not allow children under 6 years of age to use the upper bunk.
7. Periodically check and ensure that the guardrail, ladder, and other components are in their proper position, free from damage, and that all connectors are tight.
8. Do not allow horseplay on or under the bed and prohibit jumping on the bed.
9. Always use the ladder for entering and leaving the upper bunkAlways use the ladder for entering and leaving the upper bunk.
10. Do not use substitute part. Contact the manufacture or dealer for replacement part
11. Use of a night light may provide added safety precaution for a child using the upper bunk..
12. Always use guardrails on both long sides of the upper bunk. If the bunk bed will be placed next to the wall, the guardrail that runs the full length of the bed should be placed against the wall to prevent entrapment between the bed and wall.
13. The use of water or sleep flotation mattresses is prohibited
14. **STRANGULATION HAZARD** - Never attach or hang items to any part of the bunk bed that are not designed for use with the bed; for example, but not limited to, hook, belts and jump ropes
15. Keep these instruction for future reference
16. Prohibit more than one person on upper bunk
17. We recommend assembling your bunk bed on the shipping carton to protect your floor or carpet
18. Be certain all staples are out of the box before beginning assembly on the shipping carton.

# Part List (Box 1-WF294613)

C4



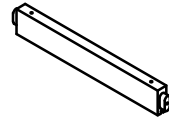
Panel-1pc

B4



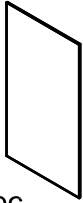
WoodBar-1pc

B5



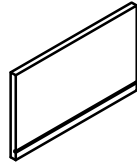
WoodBar-1pc

B6



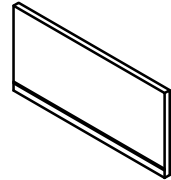
Panel-1pc

C8



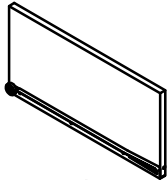
Drawer Rear-3pcs

C9



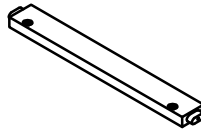
Drawer Right-3pcs

D1



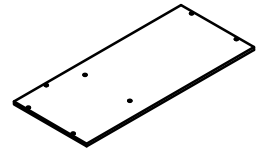
Drawer Left-3pcs

B3



WoodBar-2pcs

C1



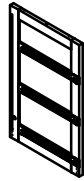
Panel-1pc

D4



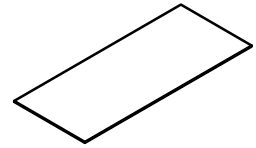
WoodBar-2pcs

C2



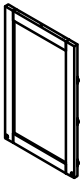
Panel-1pc

D6



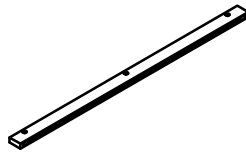
Panel-1pc

C3



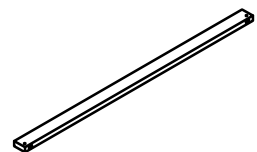
Panel-1pc

D8



WoodBar-1pc

D9



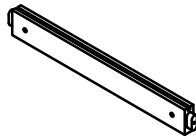
WoodBar-1pc

E1



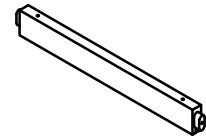
Panel-2pcs

E2



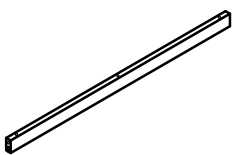
WoodBar-1pc

E3



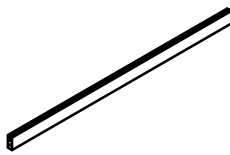
WoodBar-2pcs

E7



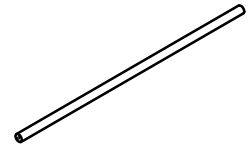
WoodBar-1pc

E8



WoodBar-1pc

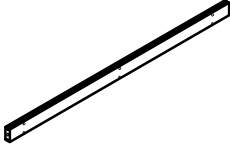
E6



WoodBar-1pc

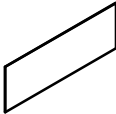
# Part List (Box 1-WF294613)

E9



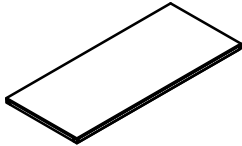
WoodBar-2pcs

F1



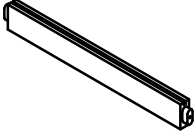
Panel-3pcs

F2



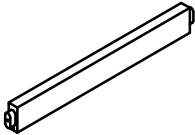
Panel-1pc

F5



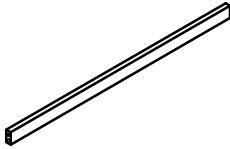
WoodBar-1pc

F7







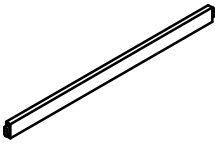
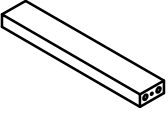
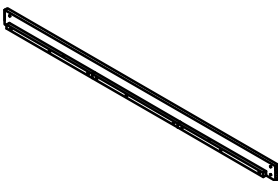
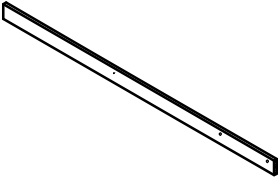
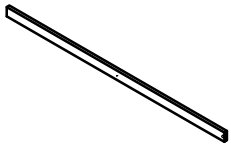


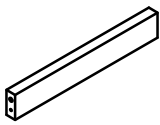
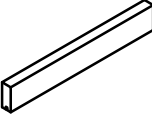
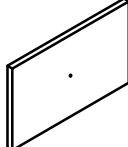
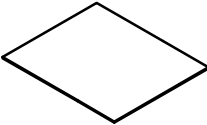



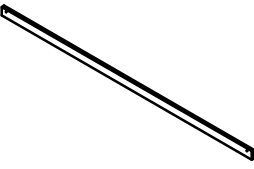

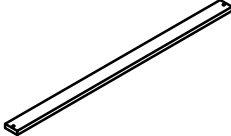
WoodBar-4pcs

G1



WoodBar-1pc

# Part List & Hardware List (Box 2-WF294614)

<p>A1</p>  <p>Leg-1pc</p>	<p>A2</p>  <p>Leg-1pc</p>	<p>A3</p>  <p>Leg-1pc</p>
<p>A4</p>  <p>Leg-1pc</p>	<p>A5</p>  <p>WoodBar-6pcs</p>	<p>A6</p>  <p>WoodBar-4pcs</p>
<p>A7</p>  <p>Side Rail-1pc</p>	<p>A8</p>  <p>Side Rail-1pc</p>	<p>A9</p>  <p>WoodBar-2pcs</p>
<p>B1</p>  <p>WoodBar-1pc</p>	<p>B2</p>  <p>Panel-1pc</p>	<p>D2</p>  <p>WoodBar-1pc</p>
<p>C5</p>  <p>WoodBar-2pcs</p>	<p>C6</p>  <p>Drawer front panels-3pcs</p>	<p>C7</p>  <p>Panel-3pcs</p>
<p>B7</p>  <p>WoodBar-1pc</p>	<p>B8</p>  <p>WoodBar-1pc</p>	<p>B9</p>  <p>WoodBar-1pc</p>
<p>D3</p>  <p>WoodBar-2pcs</p>	<p>D5</p>  <p>Panel-1pc</p>	<p>D7</p>  <p>Slats-14pcs</p>

# Part List & Hardware List (Box 2-WF294614)

E4

WoodBar-1pc



E5

WoodBar-1pc



F4

WoodBar-1pc



G2

WoodBar-1pc



F8

WoodBar-2pcs



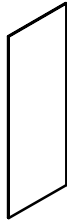
F3

WoodBar-1pc



F6

Panel-2pcs

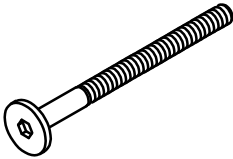







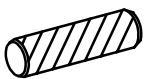
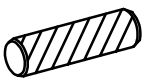









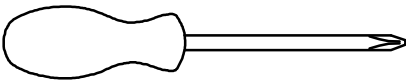


F9

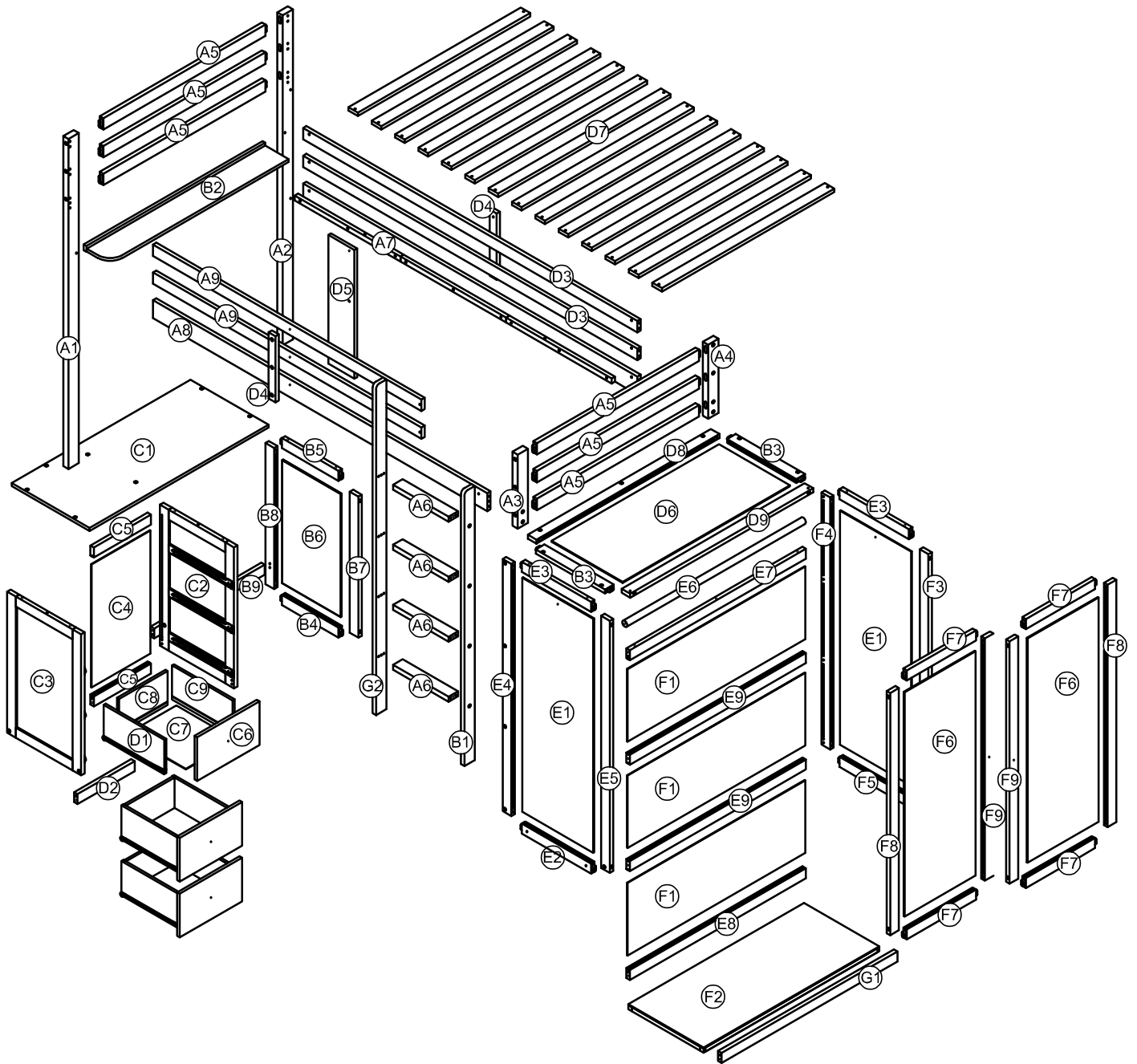
WoodBar-2pcs



# Hardware List (Box 2-WF294614)

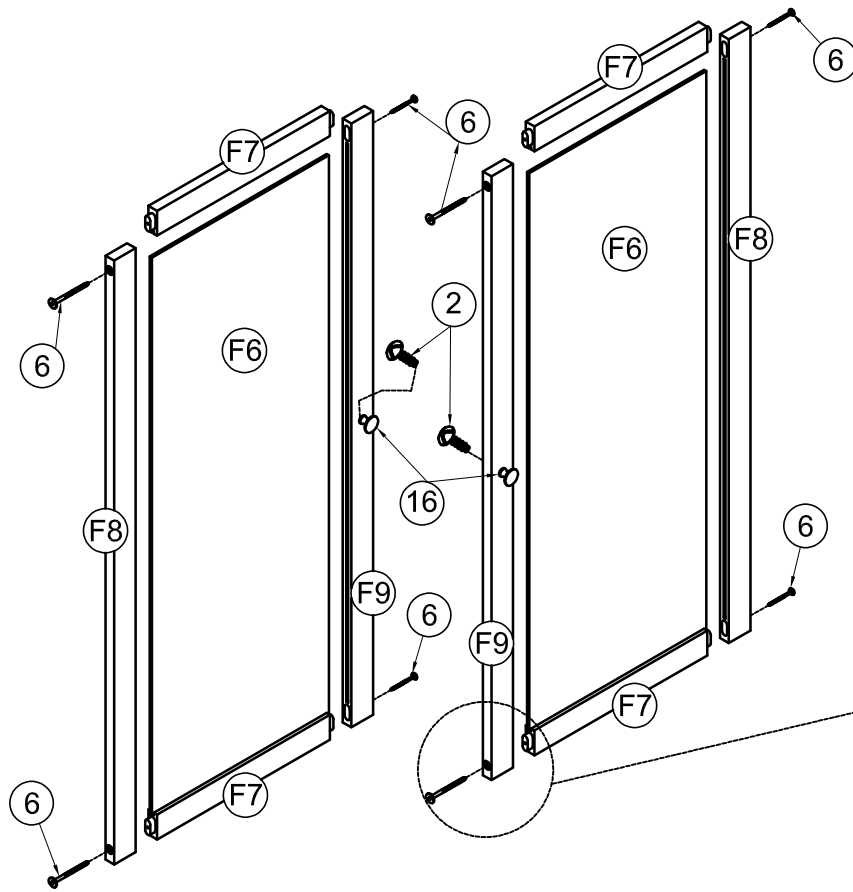
<p>1</p>  <p>Ø1/4" x 70 mm Hex-Head bolts 14pcs</p>	<p>2</p>  <p>M4 x 25 mm Wood Screws 5pcs</p>	<p>3</p>  <p>Screws 1/4" x30 13pcs</p>
<p>4</p>  <p>Screws 1/4" x40 13pcs</p>	<p>5</p>  <p>Screws 1/4" x50 26pcs</p>	<p>6</p>  <p>Screws 1/4" x70 24pcs</p>
<p>7</p>  <p>Screws 1/4" x80 12pcs</p>	<p>8</p>  <p>Ø1/4" x 13 mm Horizontal-Hole bolts 14pcs</p>	<p>9</p>  <p>Ø10 x 40 mm Wood dowel 26pcs</p>
<p>10</p>  <p>Ø8 x 30 mm Wood dowel 21pcs</p>	<p>11</p>  <p>Allen Key 1pc</p>	<p>12</p>  <p>Door Catches 45x17x13 4pcs</p>
<p>13</p>  <p>M4 x 30 mm Wood Screws 57pcs</p>	<p>14</p>  <p>M3 x 15 mm Wood Screws 18pcs</p>	<p>15</p>  <p>Ø1/4" x 40 mm Hex-Head bolts 4pcs</p>
<p>16</p>  <p>Handle Wood 5pcs</p>	<p>17</p>  <p>Ø1/4" x 30 mm Hex-Head bolts 1pc</p>	<p>18</p>  <p>M4 x 15 mm Wood Screws 8pcs</p>
<p>19</p>  <p>M4 x 15 mm Wood Screws 12pcs</p>	 <p><b>Assembly Tools Required (Not Included)</b></p>	




# ASSEMBLY INSTRUCTION



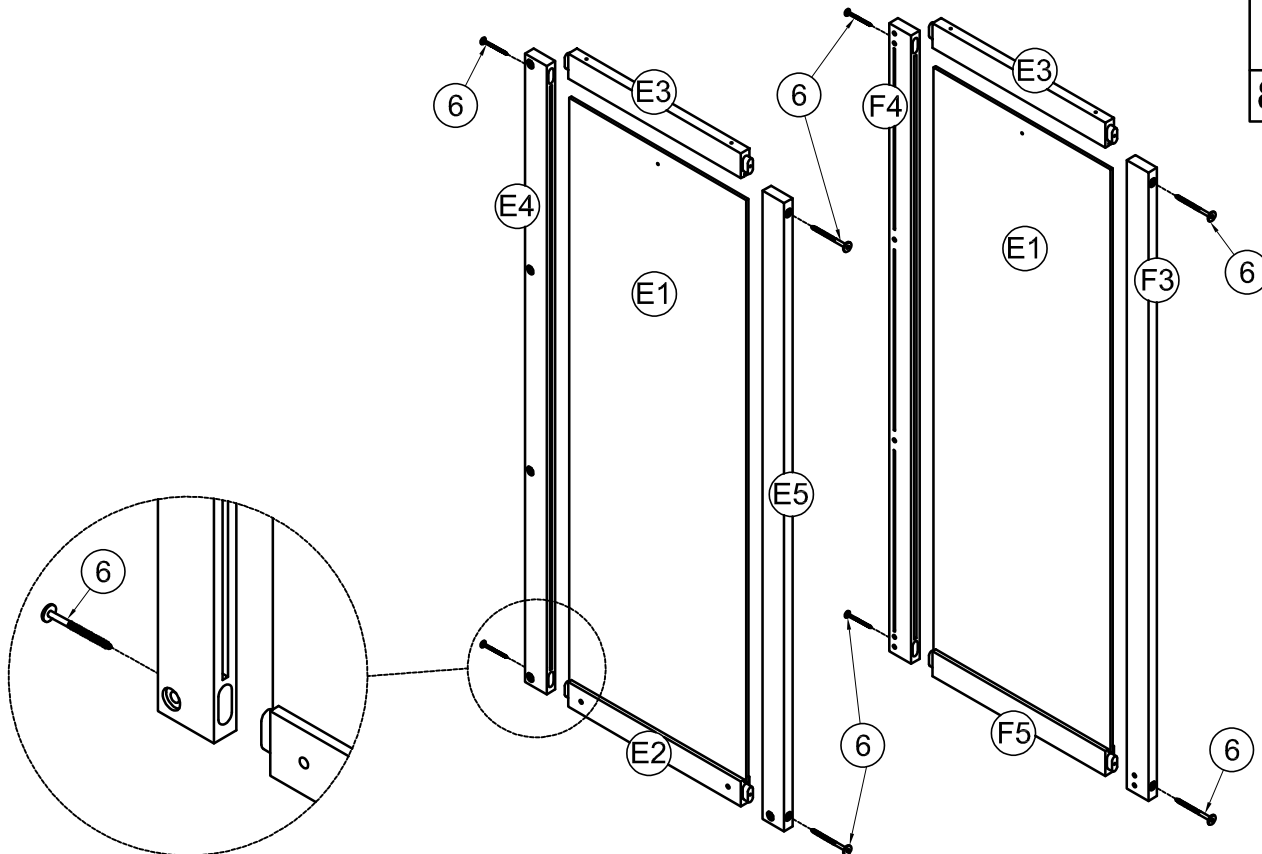



**STEP1:** Following below illustration.




6	2
	
8(pcs)	2(pcs)
	16
	
	2(pcs)

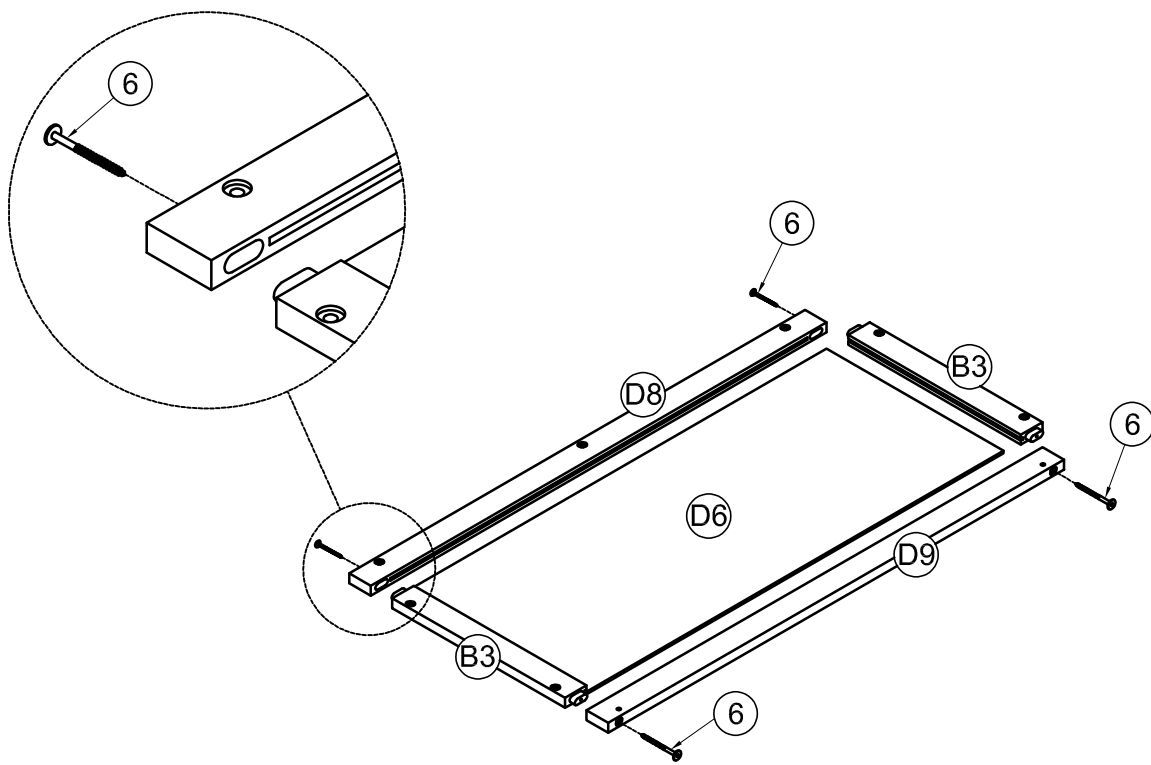
**STEP2:** Following below illustration.





6

8(pcs)

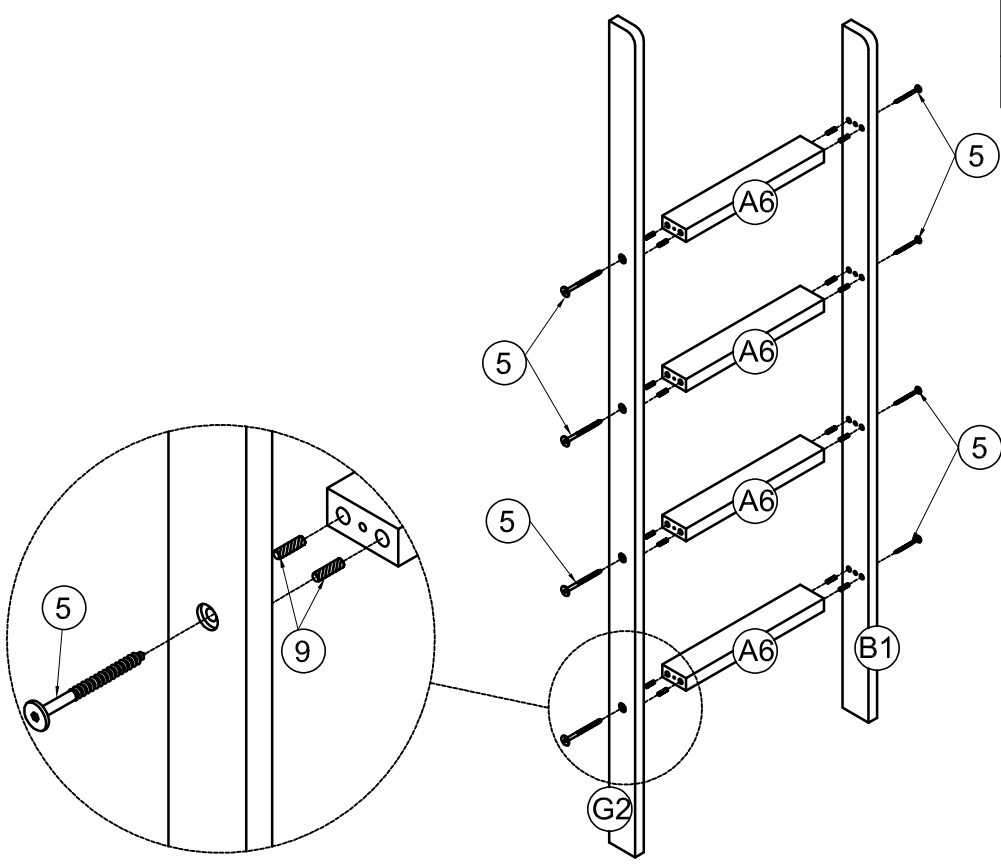
**STEP3:** Following below illustration.

6

4(pcs)





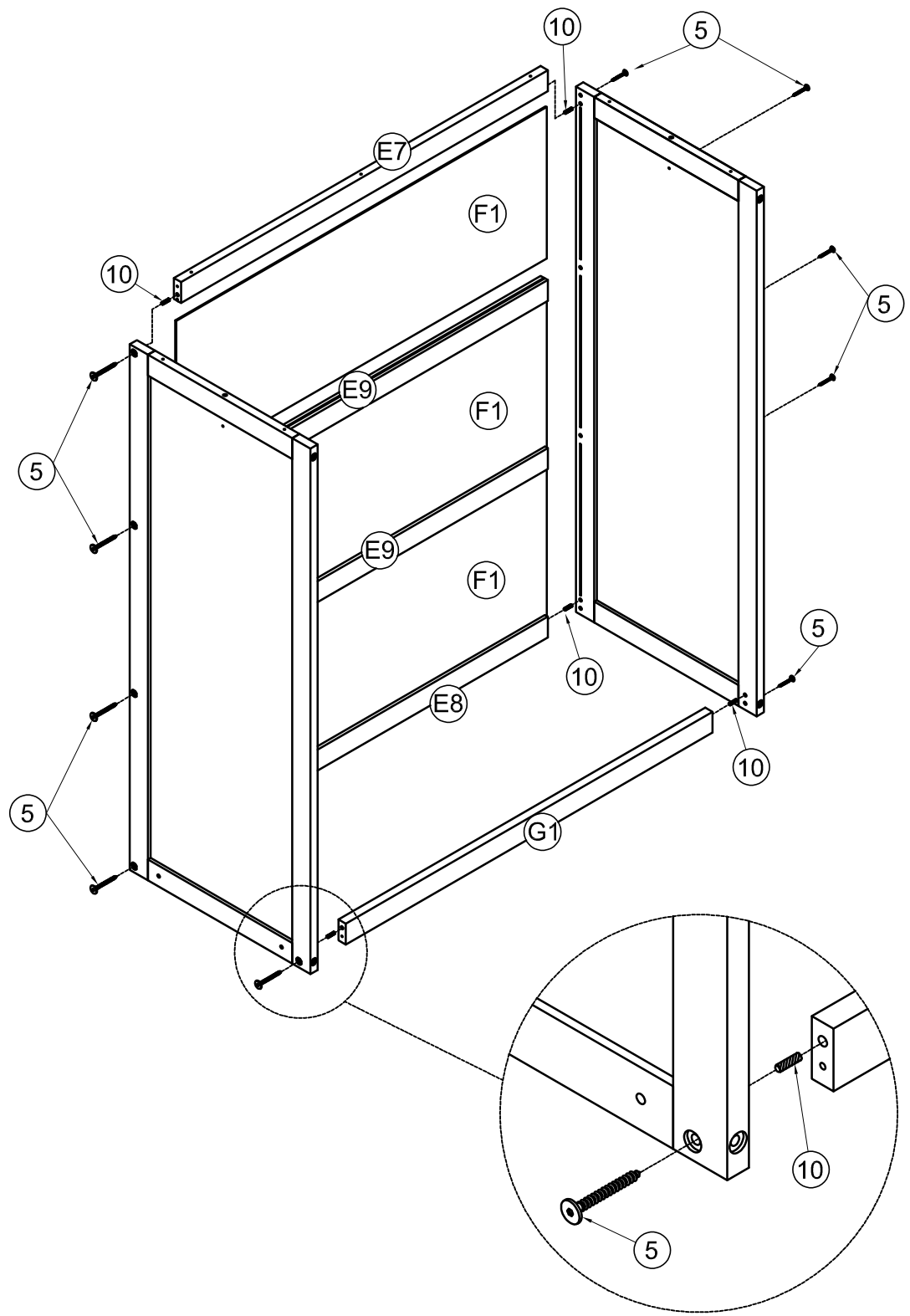
**STEP4:** Following below illustration.

9		5	
16(pcs)		8(pcs)	







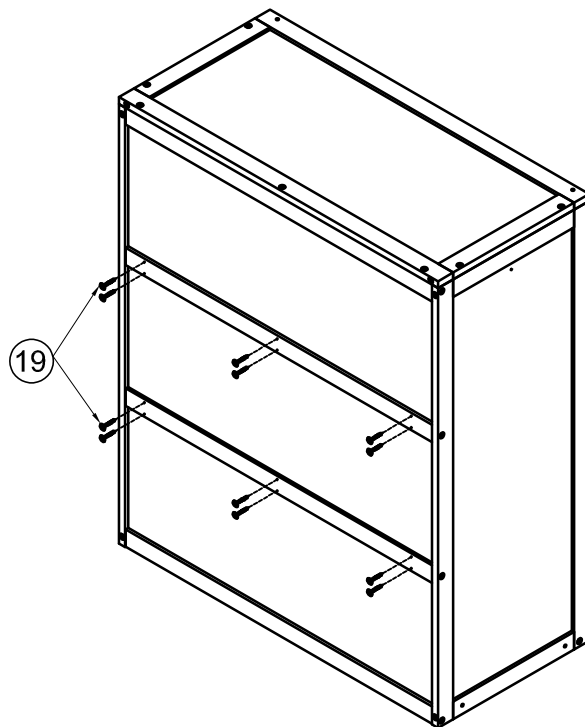
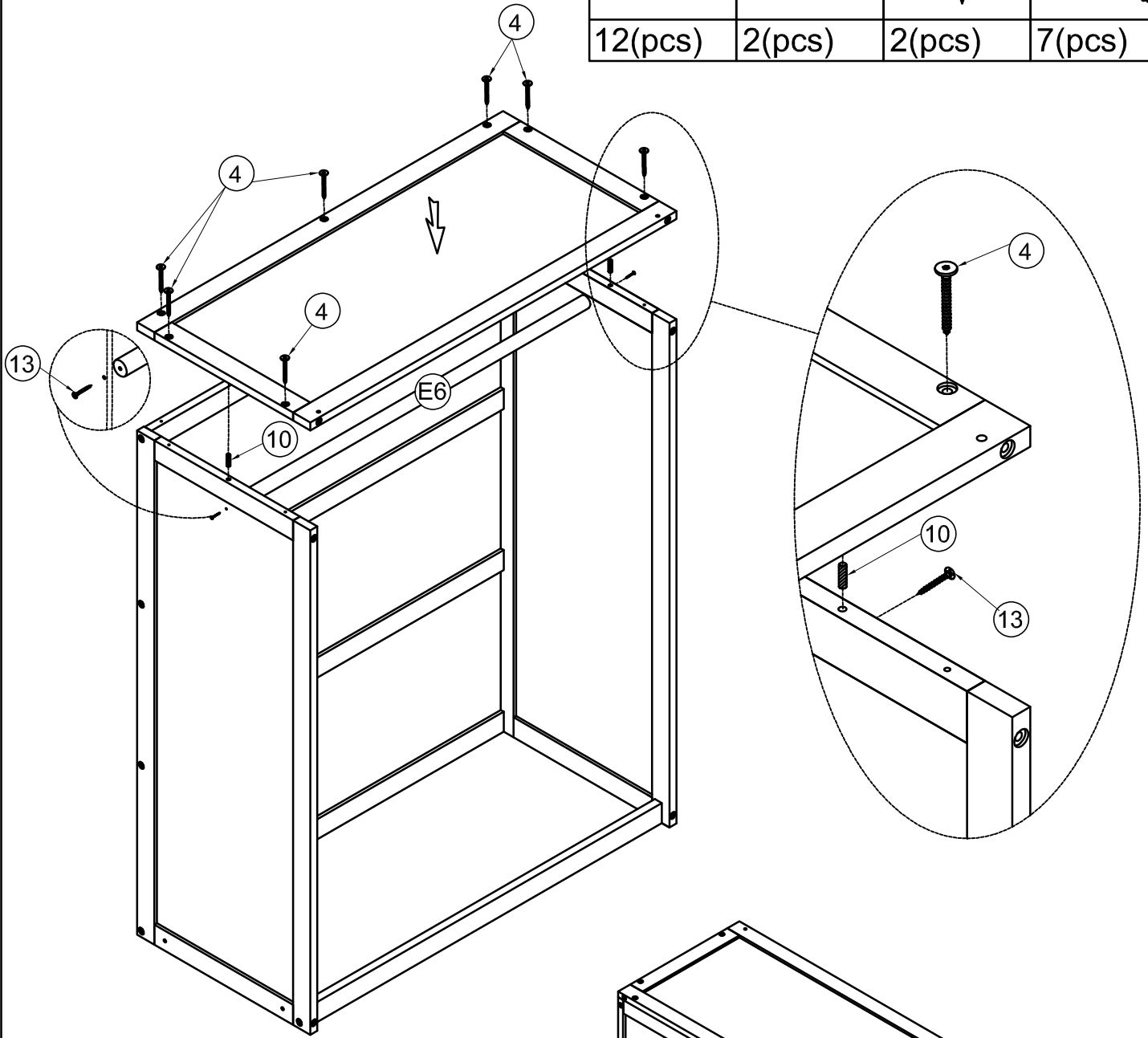
# STEP5: Following below illustration.

10		5	
6(pcs)		10(pcs)	




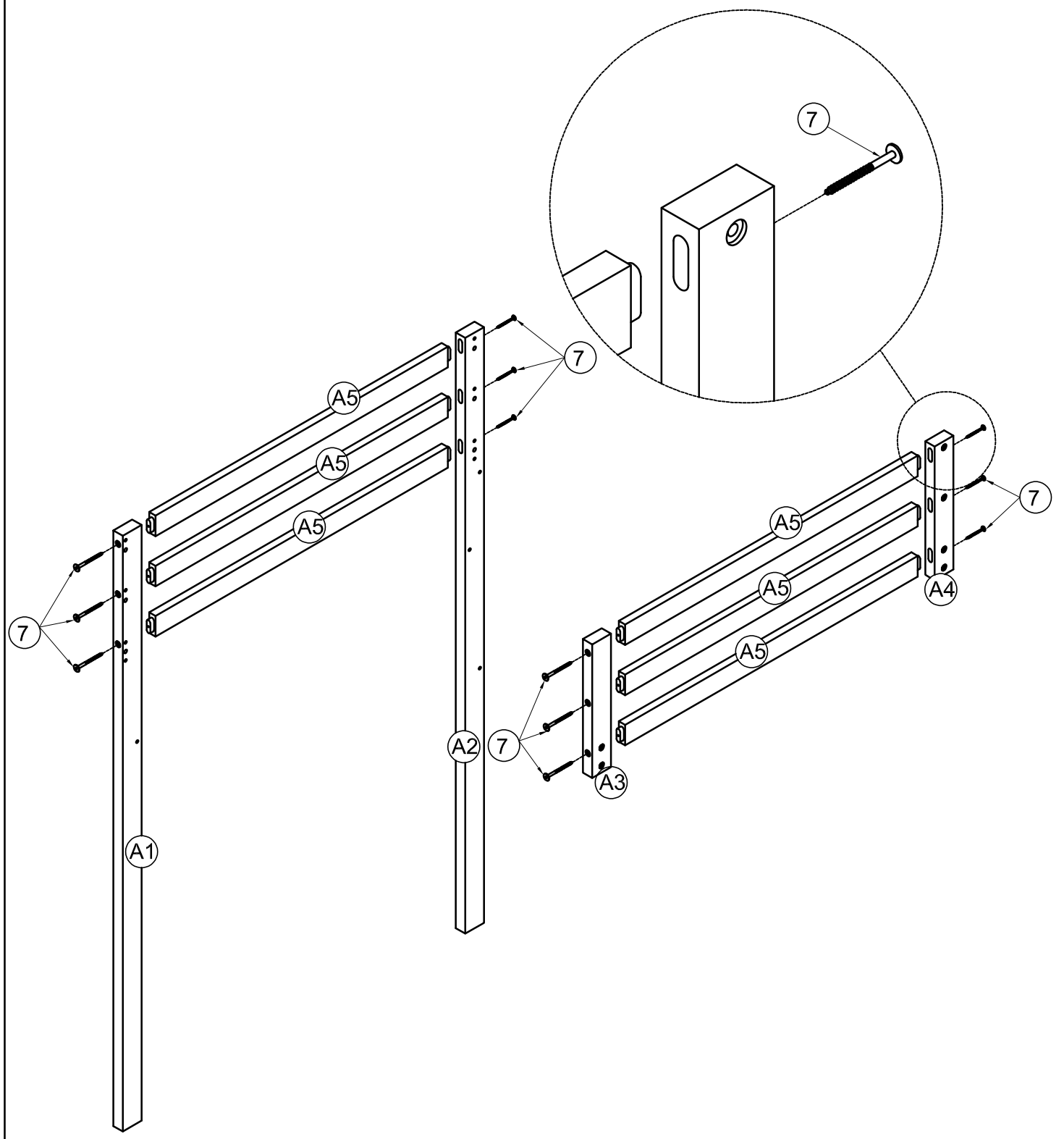
**STEP 6:** Following below illustration.

19	10	13	4
			
12(pcs)	2(pcs)	2(pcs)	7(pcs)



# STEP7: Following below illustration.

7

12(pcs)

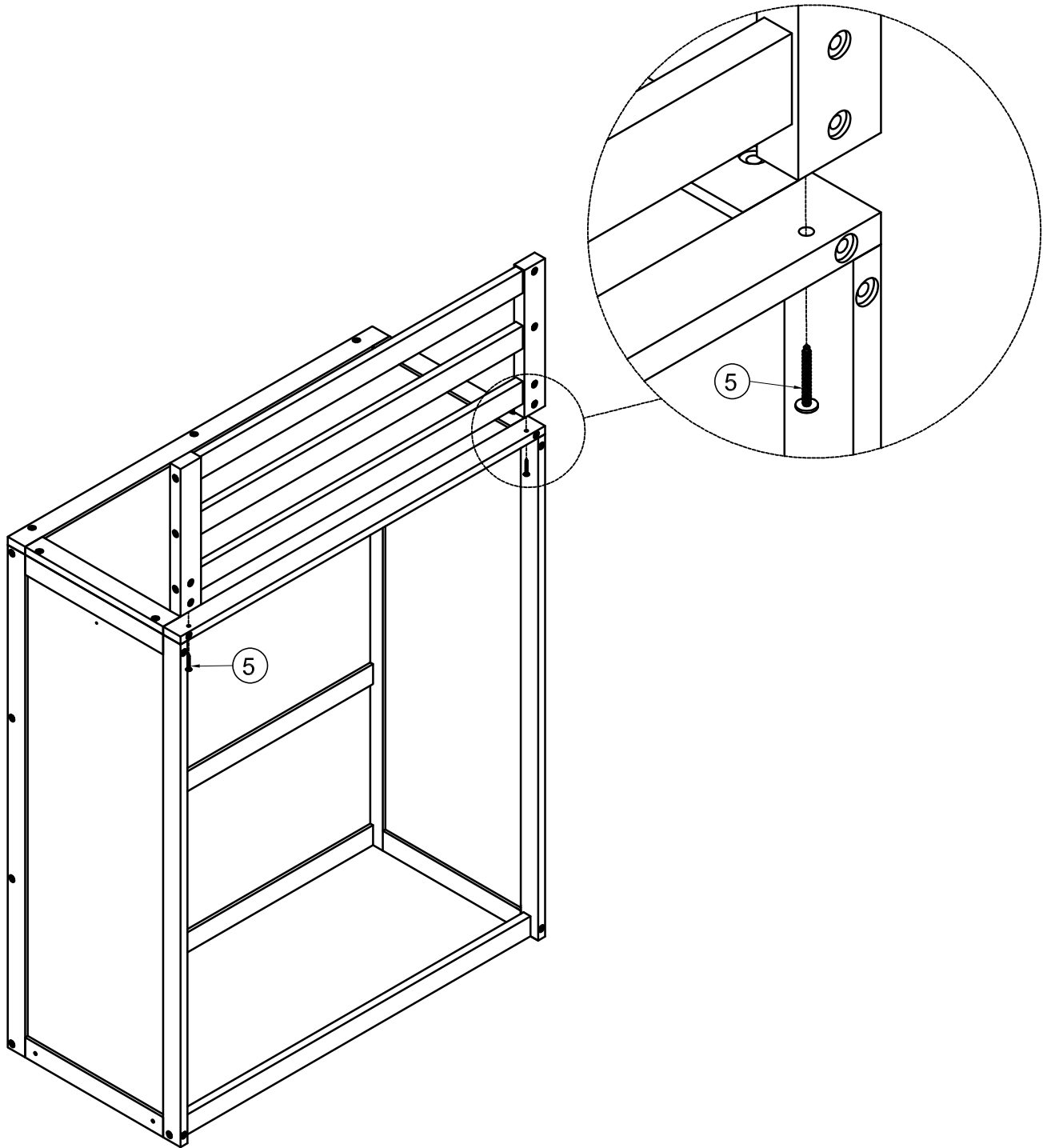


**STEP8:** Following below illustration.



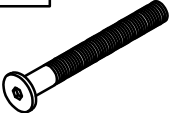

5

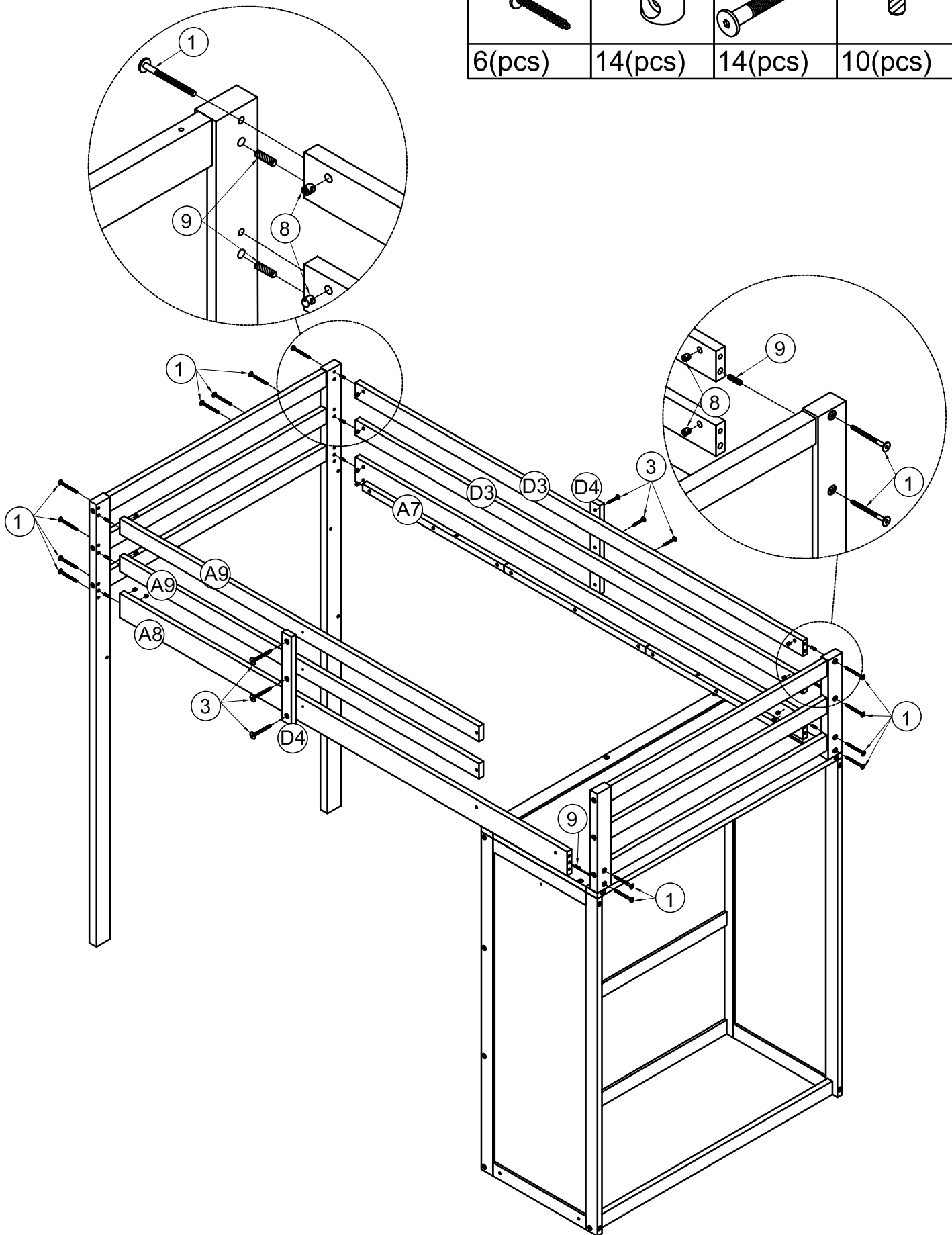


2(pcs)



**STEP9:** Following below illustration.

3	8	1	9
			
6(pcs)	14(pcs)	14(pcs)	10(pcs)

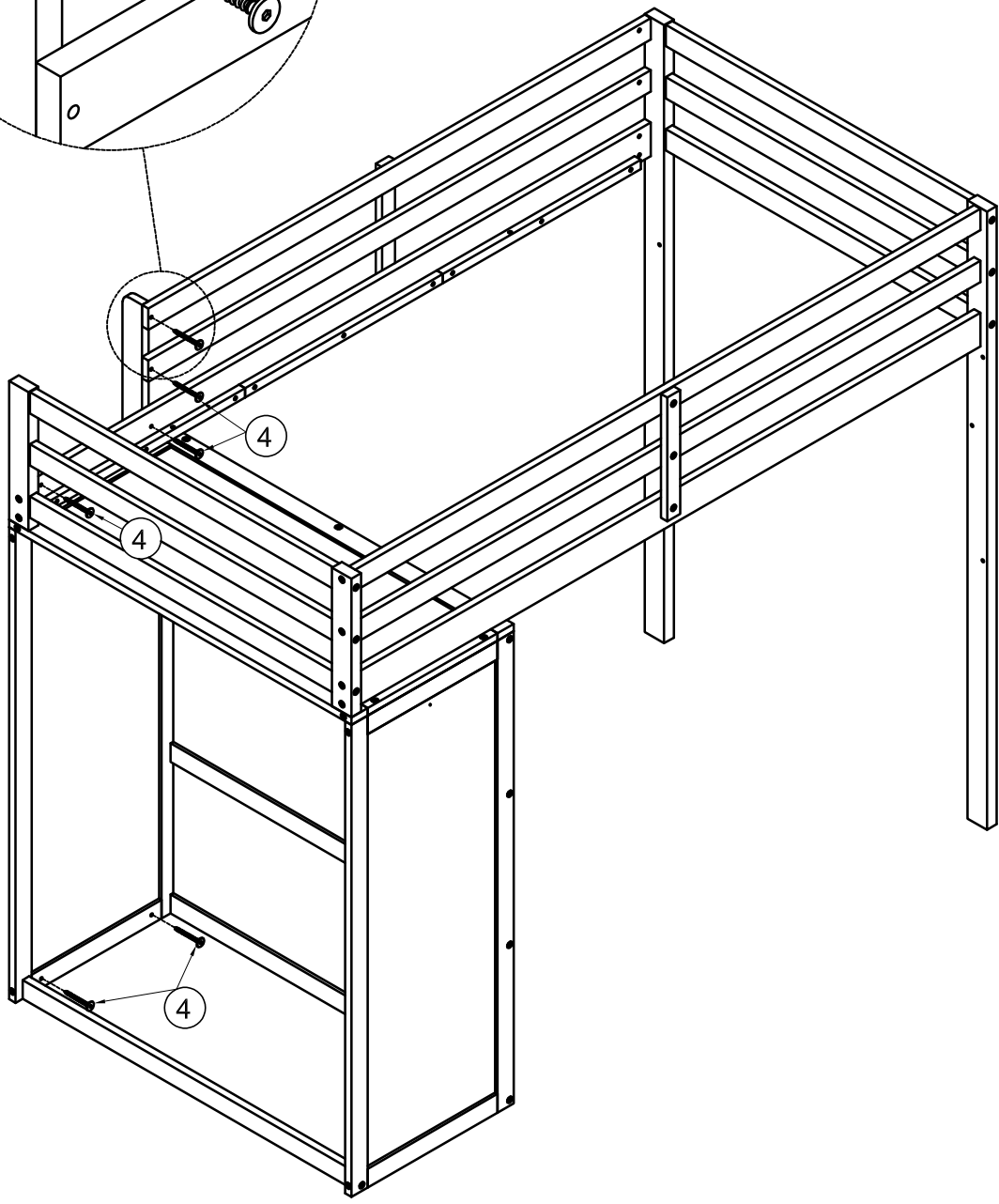
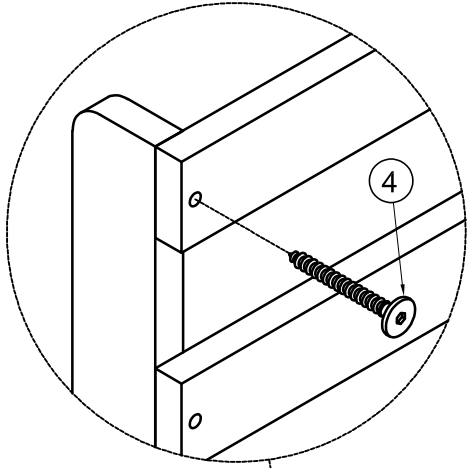


**STEP10:** Following below illustration.

4





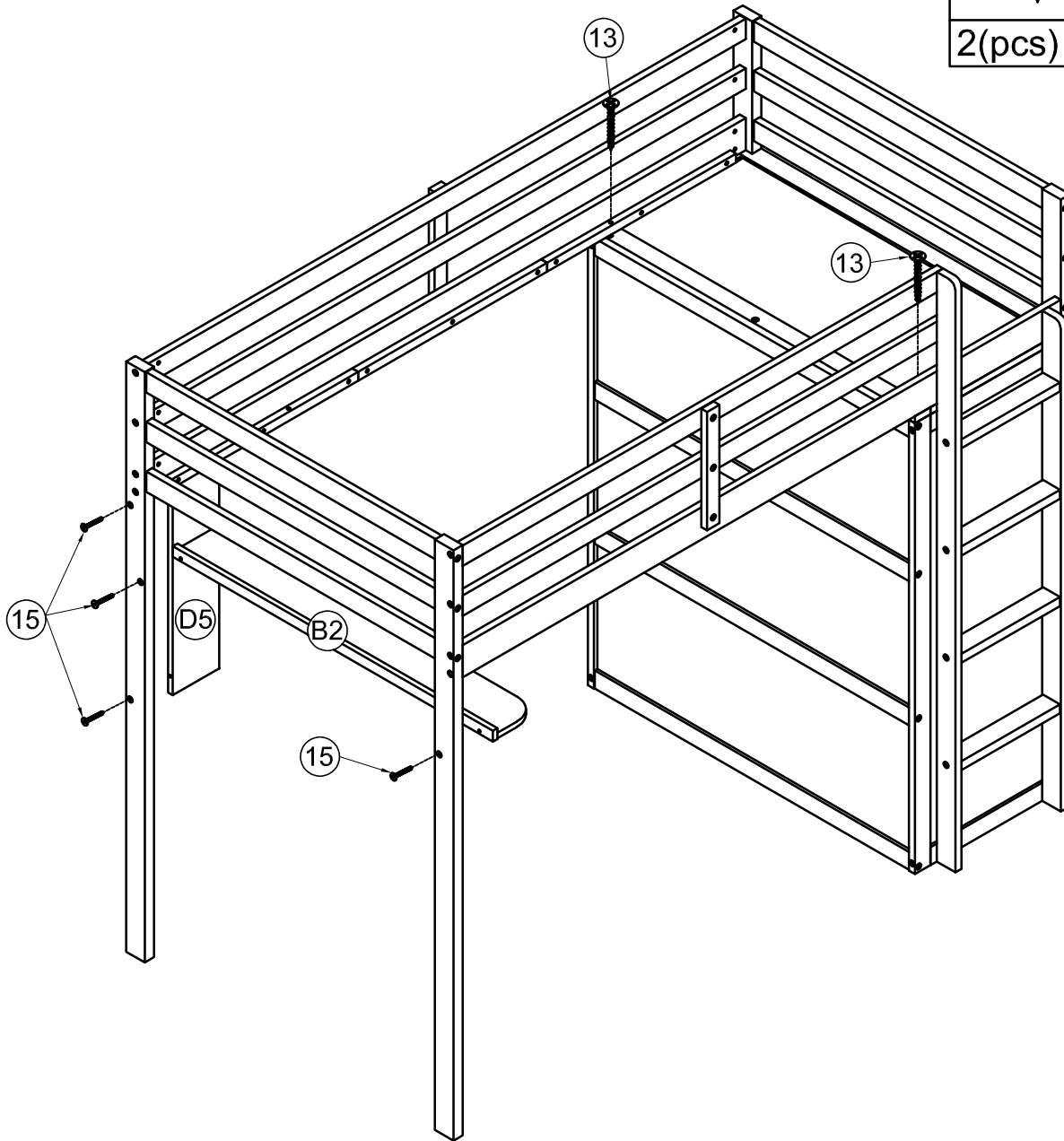
6(pcs)



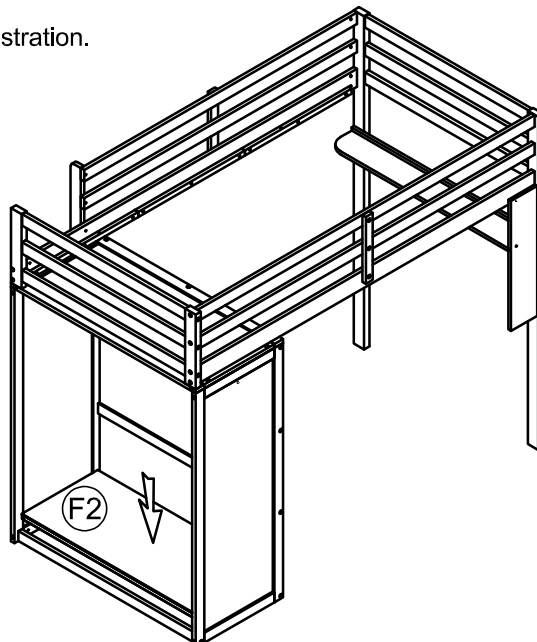


**STEP11:** Following below illustration.



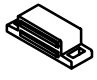


13		15	
2(pcs)		4(pcs)	

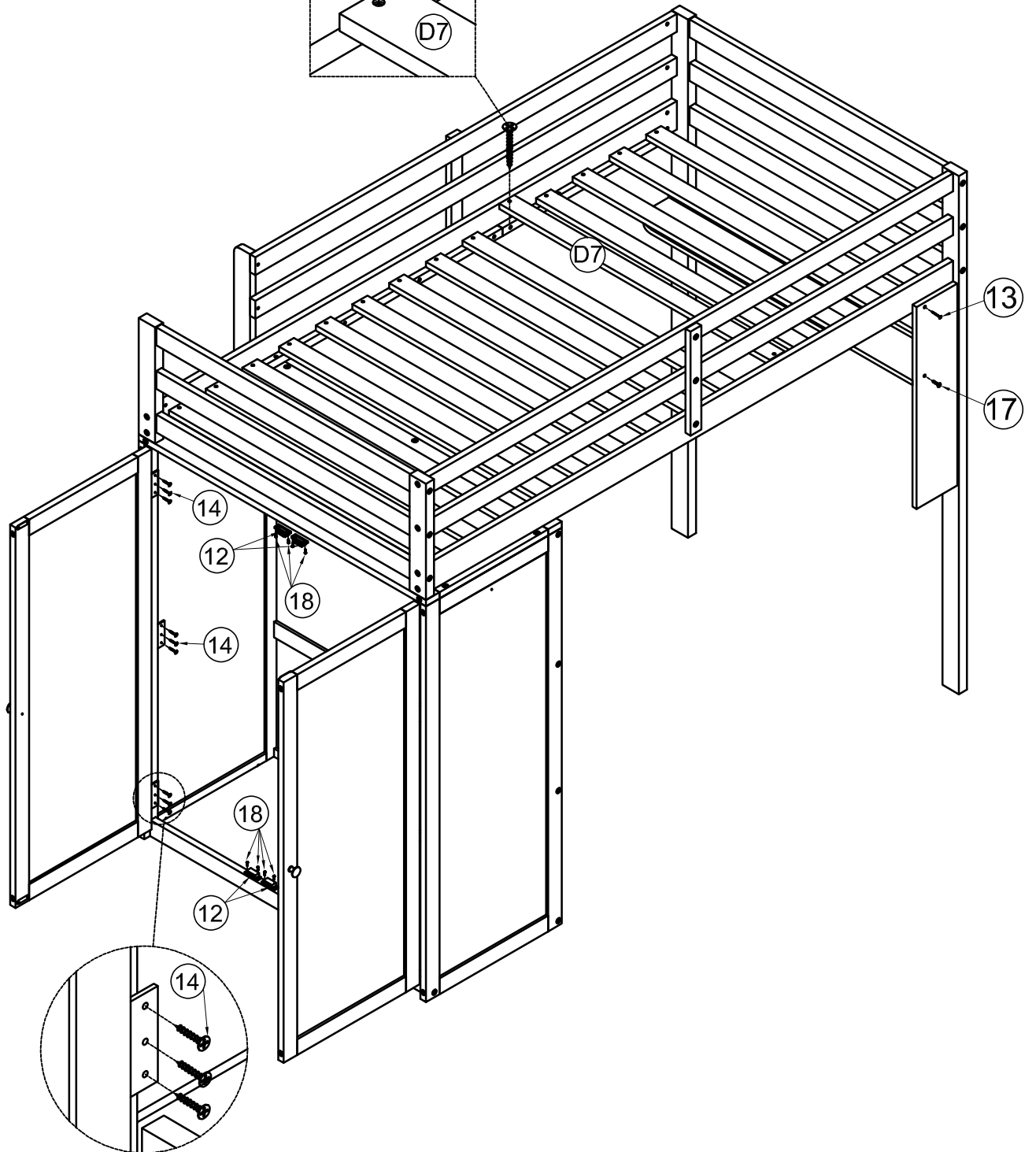
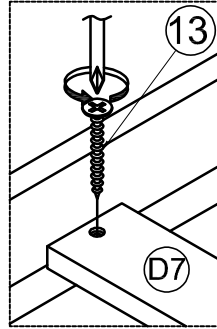


**STEP12:** Following below illustration.

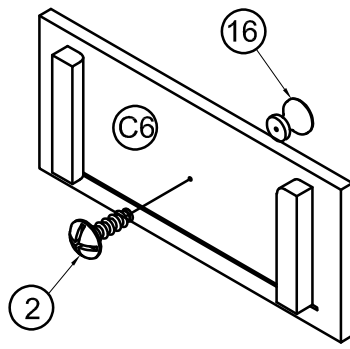


# STEP13: Following below illustration.

13		14		12	
29(pcs)		18(pcs)		4(pcs)	
		18		17	
		8(pcs)		1(pcs)	



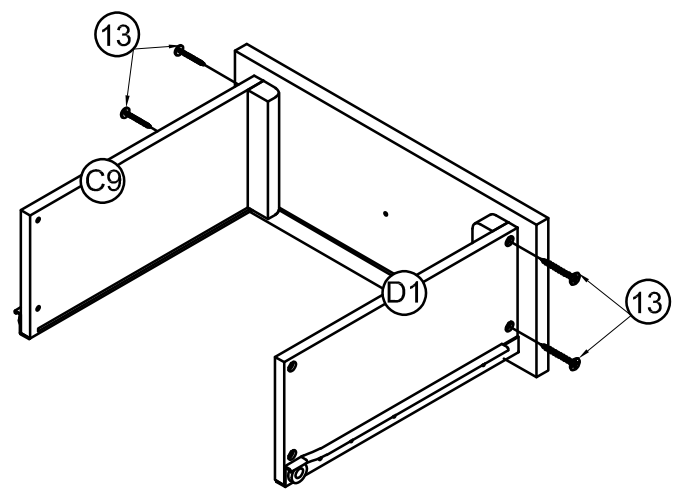
**STEP14-1 x 3:** Following below illustration.



16
3pcs

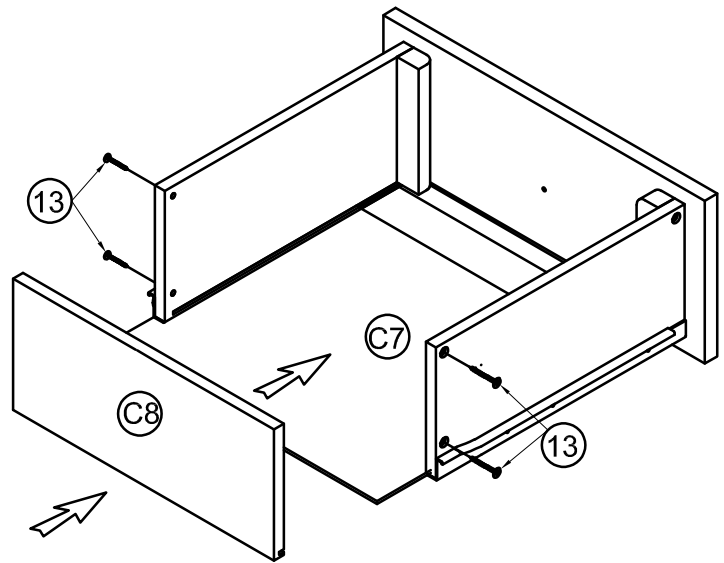
2
3pcs

**STEP14-2 x 3:** Following below illustration.




13
12pcs

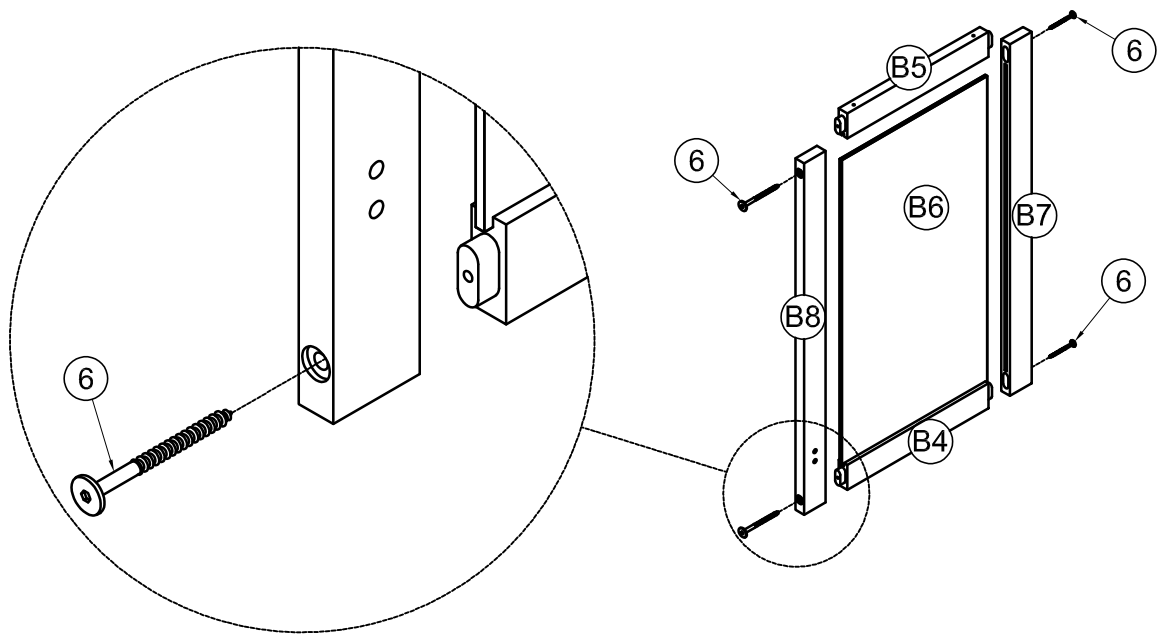
**STEP14-3 x 3 :** Following below illustration.





13
12pcs

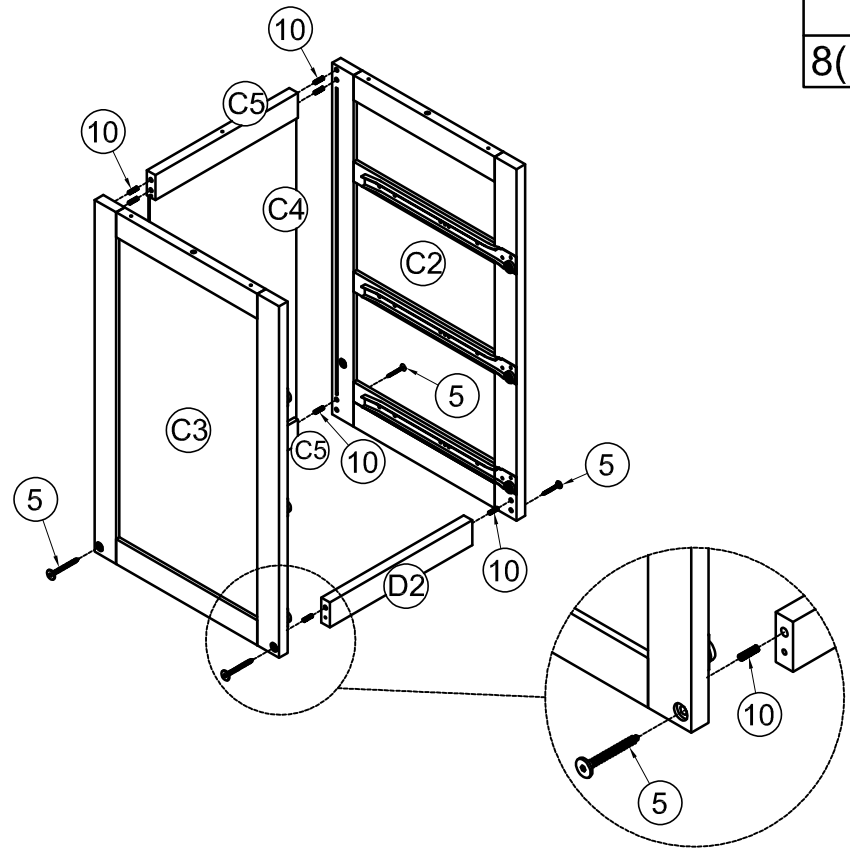
# STEP15: Following below illustration.

6

4(pcs)





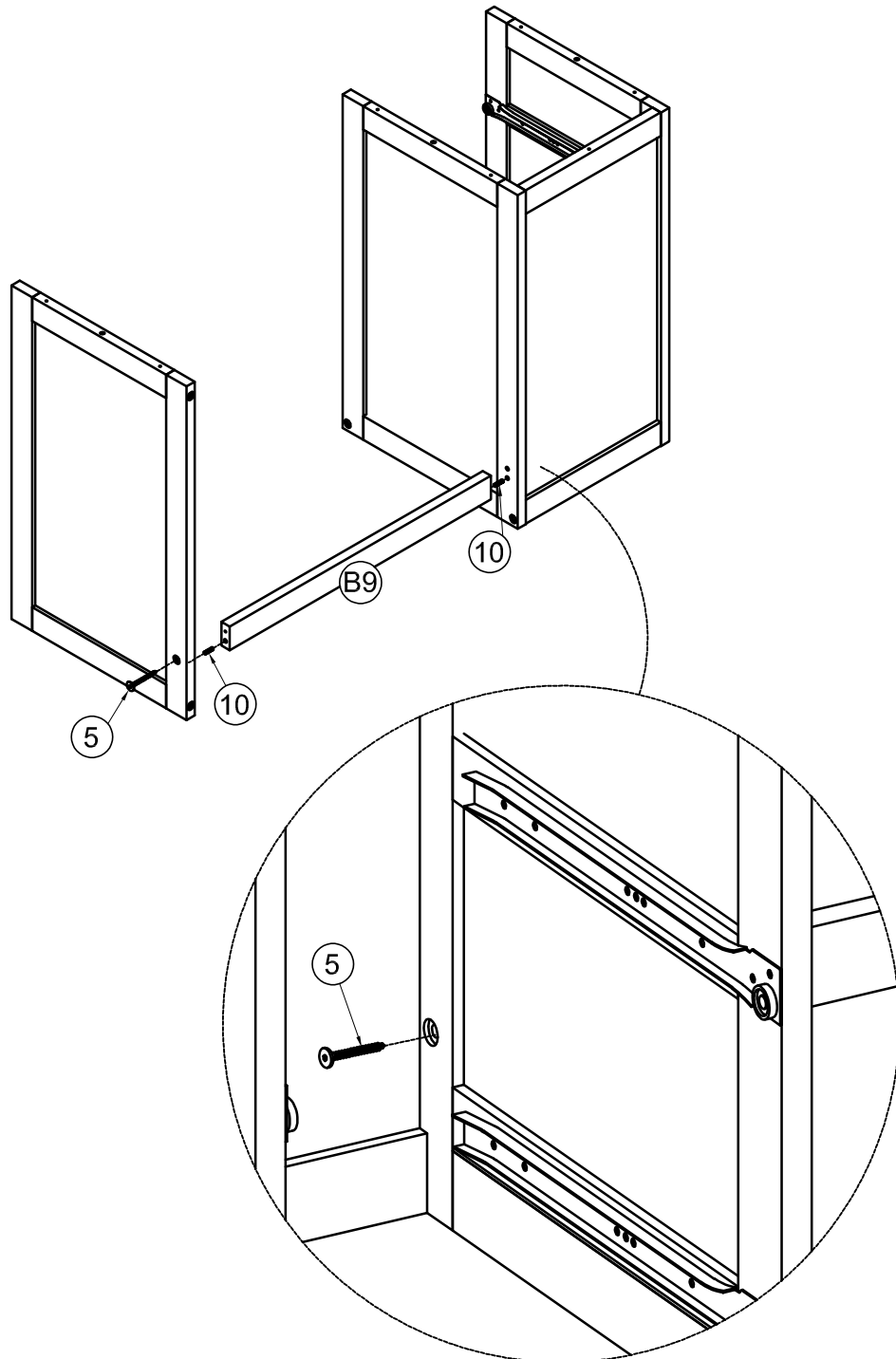
# STEP16: Following below illustration.

10		5	
8(pcs)		4(pcs)	





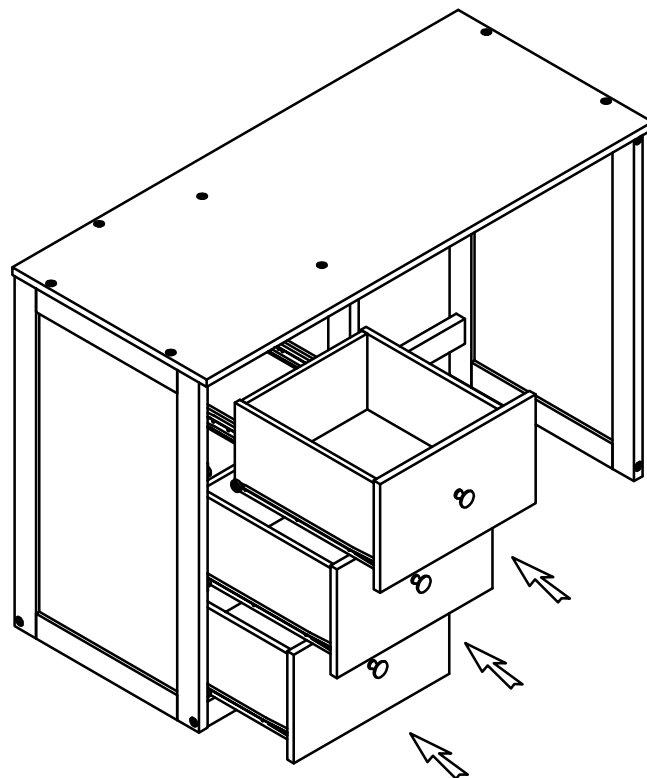
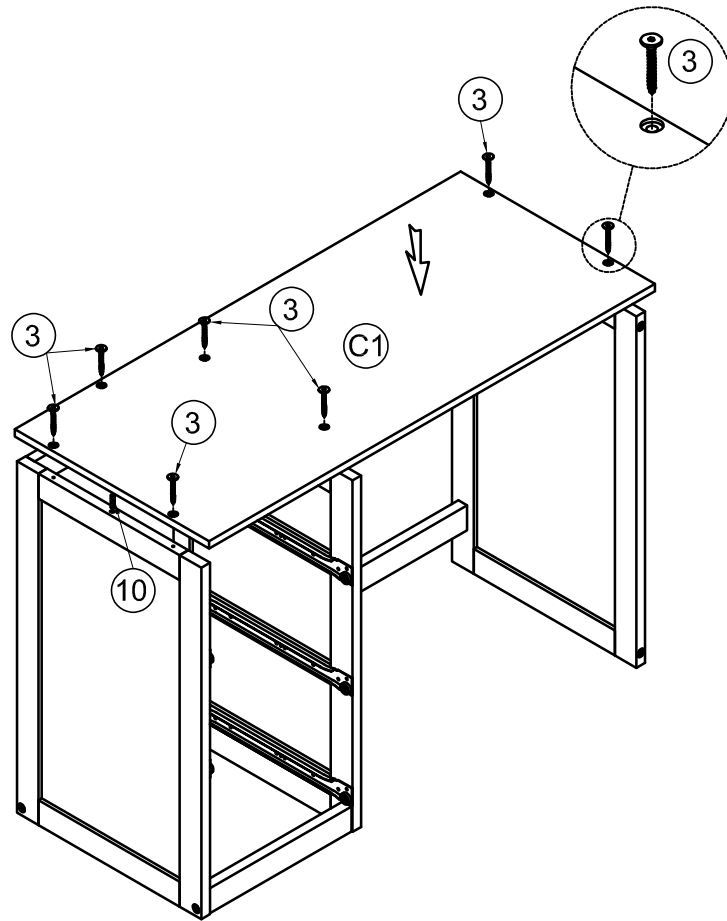
**STEP17:** Following below illustration.

10		5	
2(pcs)		2(pcs)	



**STEP18:** Following below illustration.

10		3	
3(pcs)		7(pcs)	



**STEP19:** Following below illustration.

